

PLEASE CHECK WWW.MOLEX.COM FOR LATEST PART INFORMATION

Part Number: [0512811894](#)
Status: **Active**
Overview:
Description: 0.50mm (.020") Pitch FFC/FPC Connector, SMT, Right Angle, Non-ZIF, Dual Contact Style, 1.20mm (.047") Mated Height, 18 Circuits, Lead-free, Gold (Au) Plating

General

Product Family FFC/FPC Connectors
 Series 51281
 Overview ffc_fpc_smt
 Product Name N/A

Physical

Circuits (Loaded) 18
 Color - Resin Natural
 Contact Position Dual
 Durability (mating cycles max) 20
 Entry Angle 90° Angle
 Material - Metal Phosphor Bronze
 Material - Plating Mating Gold
 Material - Plating Termination Tin
 Material - Resin High Temperature Thermoplastic
 Number of Rows 1
 Orientation Right Angle
 PC Tail Length (in) 0.020 In
 PC Tail Length (mm) 0.50 mm
 PCB Locator No
 PCB Retention Yes
 Packaging Type Embossed Tape on Reel
 Pitch - Mating Interface (in) 0.020 In
 Pitch - Mating Interface (mm) 0.50 mm
 Plating min: Mating (µin) 4
 Plating min: Mating (µm) 0.1
 Plating min: Termination (µin) 40
 Plating min: Termination (µm) 1
 Polarized to PCB Yes
 Stackable No
 Surface Mount Compatible (SMC) N/A
 Temperature Range - Operating -20°C to +85°C
 Termination Interface: Style Surface Mount
 Wire/Cable Type FFC/FPC

Electrical

Current - Maximum per Contact 0.5A
 Voltage - Maximum 50V

Material Info

Reference - Drawing Numbers

Packaging Specification SPK-51281-001
 Product Specification PS-51281-003, RPS-51281-016, RPS-51281-017, RPS-51281-018
 Sales Drawing SD-51281-011, SD-51281-012

EU RoHS

ELV and RoHS Compliant

REACH SVHC

Not Reviewed

Halogen-Free

Status

Not Reviewed

China RoHS



Need more information on product environmental compliance?

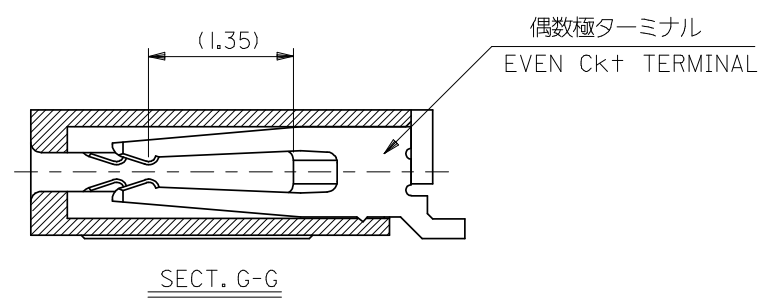
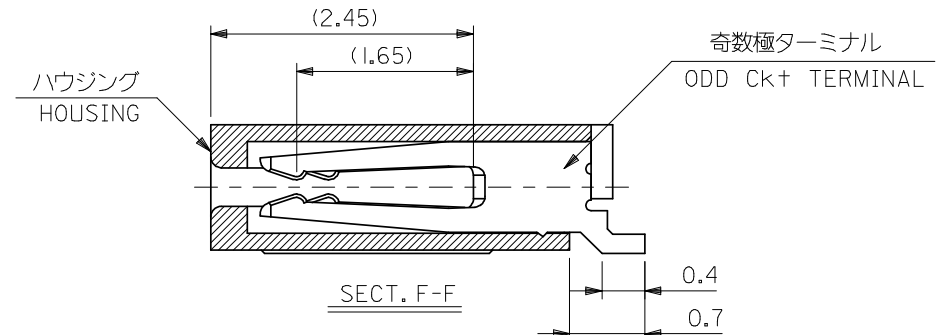
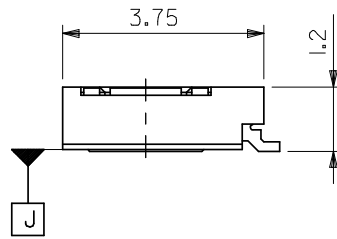
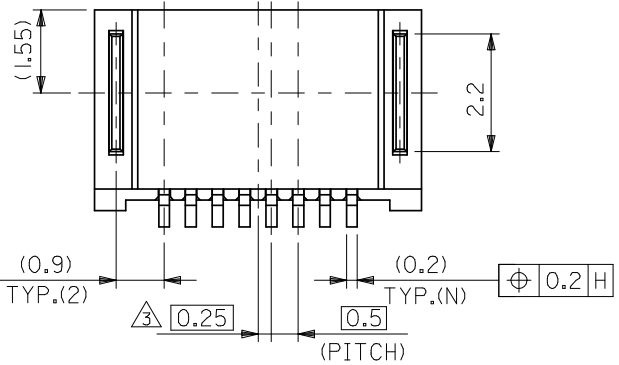
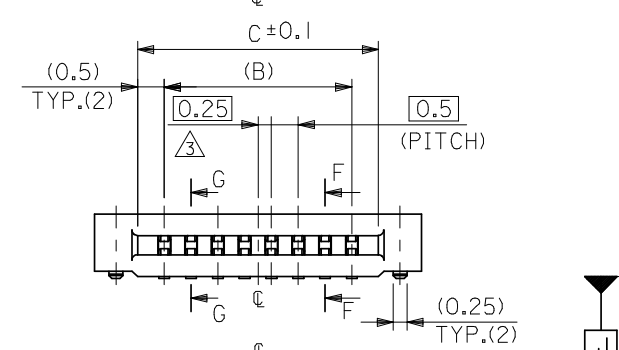
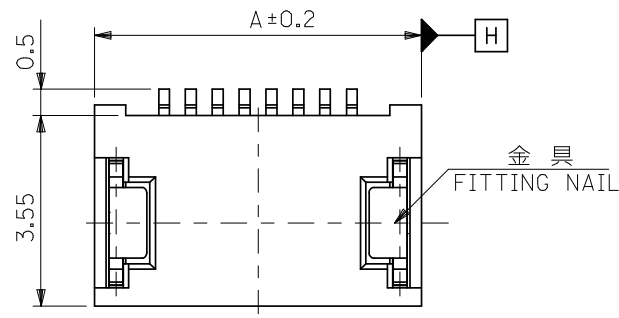
Email productcompliance@molex.com
 For a multiple part number RoHS Certificate of Compliance, [click here](#)

Please visit the [Contact Us](#) section for any non-product compliance questions.

Search Parts in this Series

51281Series

PLEASE CHECK WWW.MOLEX.COM FOR LATEST PART INFORMATION



13.5	12.5	15.1	51281-2694	51281-2640	26
12.5	11.5	14.1	51281-2494	51281-2440	24
11.5	10.5	13.1	51281-2294	51281-2240	22
10.5	9.5	12.1	51281-2094	51281-2040	20
9.5	8.5	11.1	51281-1894	51281-1840	18
8.5	7.5	10.1	51281-1694	51281-1640	16
7.5	6.5	9.1	51281-1494	51281-1440	14
6.5	5.5	8.1	51281-1294	51281-1240	12
5.5	4.5	7.1	51281-1094	51281-1040	10
5.0	4.0	6.6	51281-0994	51281-0940	9
4.5	3.5	6.1	51281-0894	51281-0840	8
3.5	2.5	5.1	51281-0694	51281-0640	6
3.0	2.0	4.6	51281-0594	51281-0540	5
C	B	A	EMBOSSED TAPE ORDER No. オーダー番号	MATERIAL NO.	CIRCUIT

REVISED EC NO: J2008-4308 DRWN: MWABEI 2008/06/27 CHKD: THARUYAMA 2008/06/30 APPR: NUKITA 2008/06/30	GENERAL TOLERANCES (UNLESS SPECIFIED)		DIMENSION STYLE MM ONLY		SCALE ---	DESIGN UNITS METRIC	THIRD ANGLE PROJECTION
	10 UNDER	±0.2	DRAWN BY KENSUZUKI	DATE 2004/10/19	TITLE 0.5 FPC CONN NON-ZIF HSG ASSY (HGT=1.2MM) -LEAD FREE-		
	10 OVER 30 UNDER	±0.25	CHECKED BY NUKITA	DATE 2004/10/19	MOLEX INCORPORATED		
	30 OVER	±0.3	APPROVED BY NUKITA	DATE 2004/10/19	MATERIAL NO. SEE TABLE	DOCUMENT NO. SD-51281-011	SHEET NO. 1 OF 2
	ANGULAR ±3°		DRAFT WHERE APPLICABLE MUST REMAIN WITHIN DIMENSIONS		THIS DRAWING CONTAINS INFORMATION THAT IS PROPRIETARY TO MOLEX INCORPORATED AND SHOULD NOT BE USED WITHOUT WRITTEN PERMISSION		

F

E

D

C

B

A

F

E

D

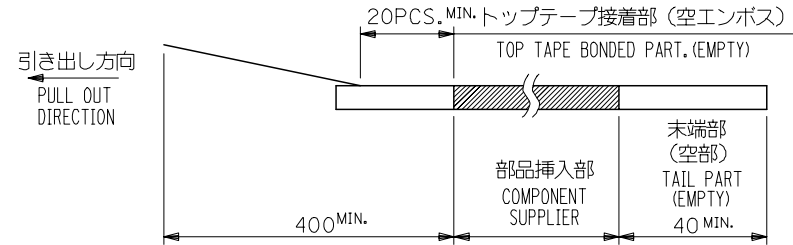
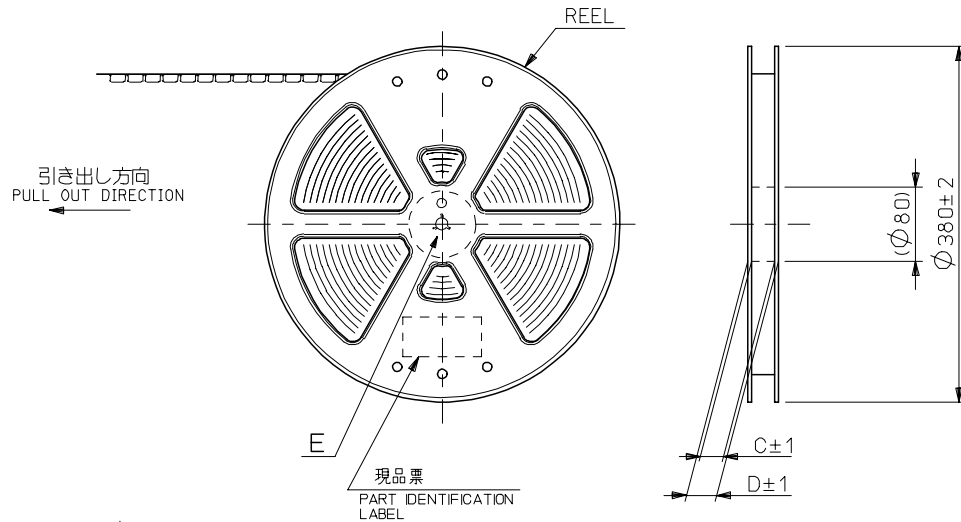
C

B

A

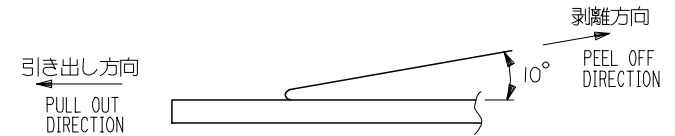
NOTES

- 製品詳細寸法については図面 SD-51281-011 を参照下さい。
RE DETAILED DIMENSION, SEE SD-51281-011
- 梱包数量：3000個/リール
NUMBER OF CONNECTORS : 3000PCS/REEL
- リードテープ長さ LEAD TAPE LENGTH

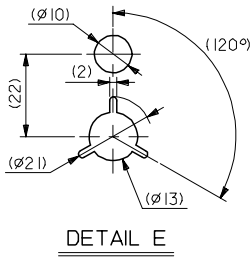


- トップテープの剥離強度：0.1N~1.3N {10gf~130gf} (剥離方向は下图参照)

尚、本規格値は出荷時に適用。(但し、輸送時に剥離が発生しないこと。)
PEELING OFF FORCE OF TOP TAPE : 0.1N~1.3N {10gf~130gf}
(PEELING DIRECTION AS SHOWN IN FOLLOWING FIG.)
THIS REQUIREMENT SHOULD BE APPLIED AT SHIPMENT.
PEEL OFF SHOULD NOT BE ALLOWED , DURING TRANSPORTATION.



- 材料 (MATERIAL)
キャリアテープ (CARRIER TAPE) : ポリプロピレン (POLYPROPYLENE)
トップテープ (TOPTAPE) : PET , PE , PEF
リール (REEL) : ポリスチレン (PS) <リサイクル材含む>
POLYSTYREN (PS) <RECYCLE MATERIAL CONTAINED>
- C, D 寸法は SHEET 2 ~ 3 を参照下さい。
SEE SHEET 2 ~ 3 (DIMENSION C, D).



REVISED EC NO: J2006-0559 DRWN: NABEI 2005/08/22 CHKD: TOYODA 2005/08/23 APPR: NUKITA 2005/08/26	DESCRIPTION	GENERAL TOLERANCES (UNLESS SPECIFIED)		DIMENSION STYLE MM ONLY		SCALE ---	51281-xx94	MODEL NO.
		10 UNDER	±0.2	DRAWN BY KENSUZUKI	DATE 2004/10/19	TITLE	DESIGN UNITS METRIC	THIRD ANGLE PROJECTION
		10 OVER 30 UNDER	±0.25	CHECKED BY NUKITA	DATE 2004/10/19	0.5 FPC CONN NON-ZIF (HGT=1.2MM) EMBSTP PKG -LEAD FREE-	MOLEX	SHEET NO. 1 OF 4
		30 OVER	±0.3	APPROVED BY NUKITA	DATE 2004/10/19			
ANGULAR ±3 °		DRAFT WHERE APPLICABLE MUST REMAIN WITHIN DIMENSIONS		MATERIAL NO. SEE CHART		DOCUMENT NO. SD-51281-012		
SIZE A3		THIS DRAWING CONTAINS INFORMATION THAT IS PROPRIETARY TO MOLEX INCORPORATED AND SHOULD NOT BE USED WITHOUT WRITTEN PERMISSION						

10 9 8 7 6 5 4 3 2 1

F

E

D

C

B

A

F

E

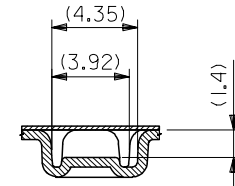
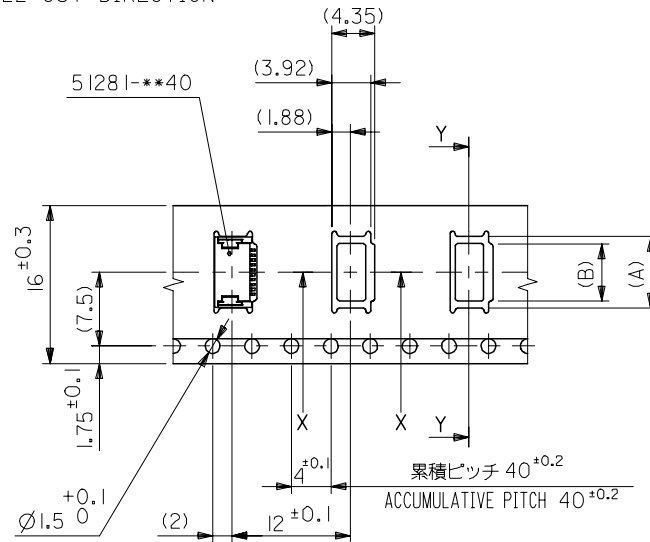
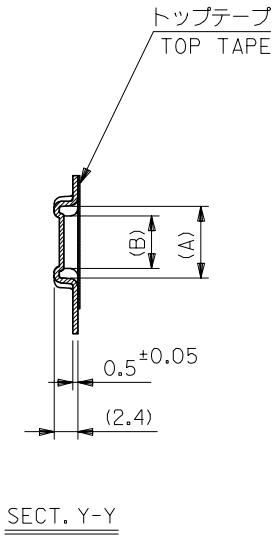
D

C

B

A

引き出し方向
PULL OUT DIRECTION



SECT. X-X

16mm幅キャリアテープ
16mm WIDTH CARRIER TAPE

16	21.4	17.4	4.3	6.3	51281-0894	8
			3.3	5.3	51281-0694	6
			2.8	4.8	51281-0594	5
キャリアテープ幅 CARRIER TAPE WIDTH	D	C	(B)	(A)	製品番号 MATERIAL No.	極数 Ck+
51281-***94					MODEL NO.	

REVISED EC NO: J2006-0559 DRWN: NABEI 2005/08/22 CHK: KATOYODA 2005/08/23 APPR: NUKITA 2005/08/26	GENERAL TOLERANCES (UNLESS SPECIFIED)		DIMENSION STYLE MM ONLY	SCALE ---	DESIGN UNITS METRIC	THIRD ANGLE PROJECTION	
	10 UNDER	± 0.2	DRAWN BY KENSUZUK	DATE 2004/10/19	TITLE 0.5 FPC CONN NON-ZIF (HGT=1.2MM) EMBSTP PKG -LEAD FREE-		
	10 OVER 30 UNDER	± 0.25	CHECKED BY NUKITA	DATE 2004/10/19	MOLEX INCORPORATED		
	30 OVER	± 0.3	APPROVED BY NUKITA	DATE 2004/10/19	MATERIAL NO.	DOCUMENT NO. SD-51281-012	SHEET NO. 2 OF 4
	ANGULAR	± 3 °	SEE CHART				
DRAFT WHERE APPLICABLE MUST REMAIN WITHIN DIMENSIONS			THIS DRAWING CONTAINS INFORMATION THAT IS PROPRIETARY TO MOLEX INCORPORATED AND SHOULD NOT BE USED WITHOUT WRITTEN PERMISSION				

9

8

7

6

5

4

3

2

10 9 8 7 6 5 4 3 2 1

F

E

D

C

B

A

F

E

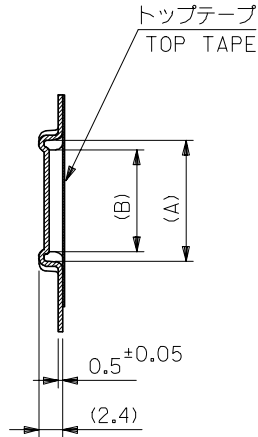
D

C

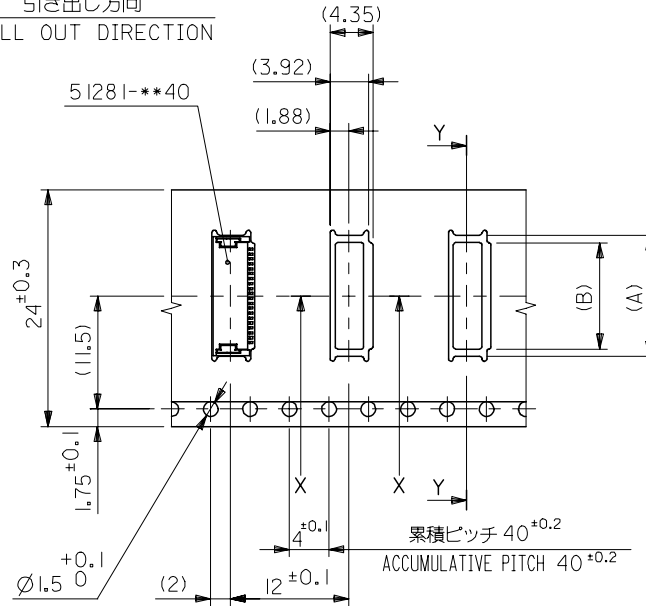
B

A

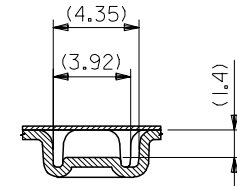
引き出し方向
PULL OUT DIRECTION



SECT. Y-Y



24mm幅キャリアテープ
24mm WIDTH CARRIER TAPE



SECT. X-X

24	29.4	25.4	12.3	14.3	51281-2494	24		
			11.3	13.3	51281-2294	22		
			10.3	12.3	51281-2094	20		
			9.3	11.3	51281-1894	18		
			8.3	10.3	51281-1694	16		
			7.3	9.3	51281-1494	14		
			6.3	8.3	51281-1294	12		
			5.3	7.3	51281-1094	10		
			4.8	6.8	51281-0994	9		
キャリアテープ幅 CARRIER TAPE WIDTH			D	C	(B)	(A)	製品番号 MATERIAL No.	極数 Ck+
			51281-**-94		MODEL No.			

REVISED EC NO: J2006-0559 DRWN: NABEI 2005/08/22 CHKD: TOYODA 2005/08/23 APPR: NUKITA 2005/08/26	DESCRIPTION GENERAL TOLERANCES (UNLESS SPECIFIED)	DIMENSION STYLE MM ONLY		SCALE	DESIGN UNITS	THIRD ANGLE PROJECTION		
		10 UNDER ±0.2 10 OVER 30 UNDER ±0.25 30 OVER ±0.3		---	METRIC			
		ANGULAR ±3 °		DRAWN BY KENSUZUKI	DATE 2004/10/19		TITLE 0.5 FPC CONN NON-ZIF (HGT=1.2MM) EMBSTP PKG -LEAD FREE-	
		DRAFT WHERE APPLICABLE MUST REMAIN WITHIN DIMENSIONS		CHECKED BY NUKITA	DATE 2004/10/19		MOLEX INCORPORATED	
				APPROVED BY NUKITA	DATE 2004/10/19		MATERIAL NO. SEE CHART	DOCUMENT NO. SD-51281-012

9

8

7

6

5

4

3

2

10 9 8 7 6 5 4 3 2 1

F

F

E

E

D

D

C

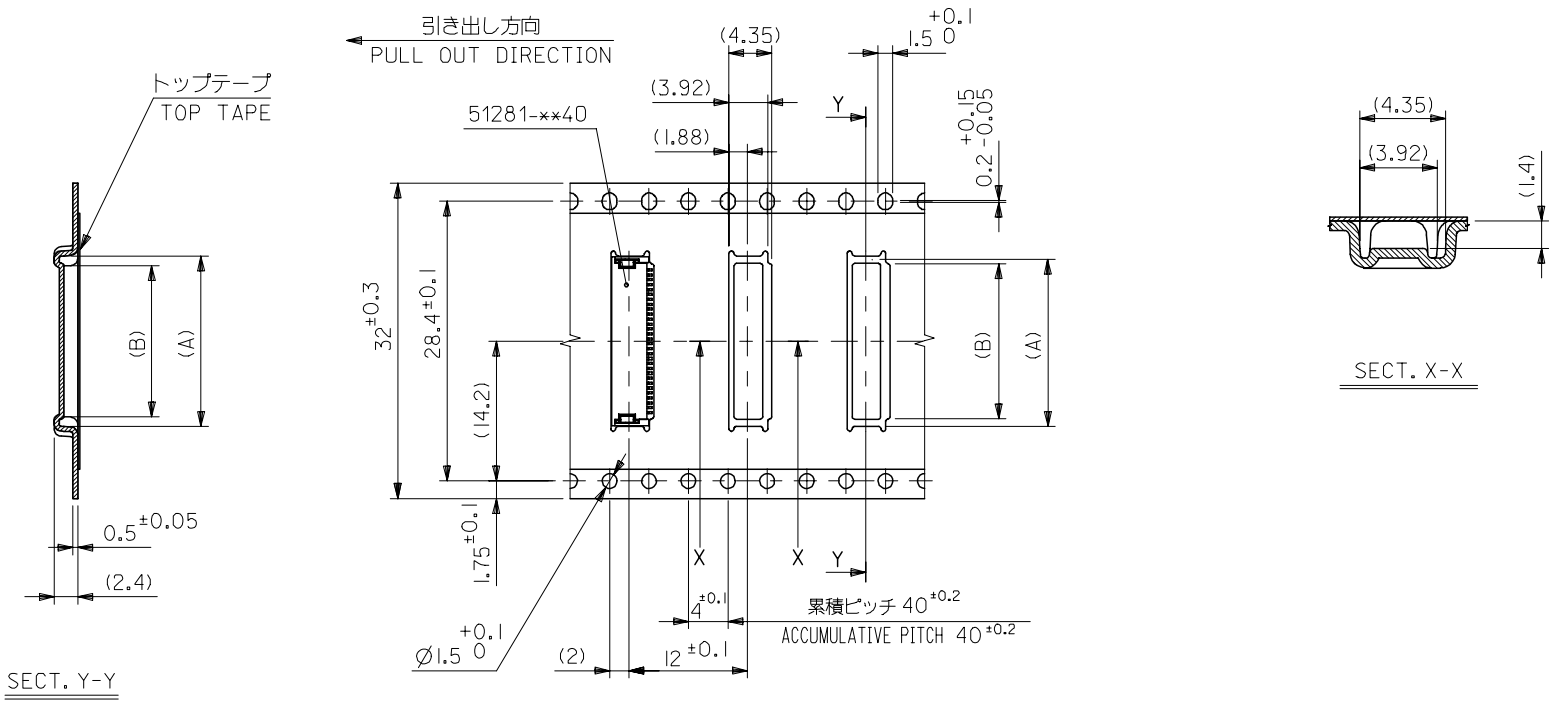
C

B

B

A

A



32mm幅キャリアテープ
32mm WIDTH CARRIER TAPE

32	37.4	33.4	13.3	15.3	51281-2694	26
キャリアテープ幅 CARRIER TAPE WIDTH	D	C	(B)	(A)	製品番号 MATERIAL No.	極数 CK+

REVISED EC NO: J2006-0559 DRWN: NABEI 2005/08/22 CHKDK: TOYODA 2005/08/23 APPR: NUKITA 2005/08/26	GENERAL TOLERANCES (UNLESS SPECIFIED)		DIMENSION STYLE MM ONLY		SCALE ---	DESIGN UNITS METRIC	THIRD ANGLE PROJECTION
	10 UNDER	±0.2	DRAWN BY KENSUZUKI	DATE 2004/10/19	TITLE 0.5 FPC CONN NON-ZIF (HGT=1.2MM) EMBSTP PKG -LEAD FREE-		
	10 OVER 30 UNDER	±0.25	CHECKED BY NUKITA	DATE 2004/10/19			
	30 OVER	±0.3	APPROVED BY NUKITA	DATE 2004/10/19	MOLEX INCORPORATED MATERIAL NO. _____ DOCUMENT NO. SD-51281-012 SHEET NO. 4 OF 4		
ANGULAR	±3 °	SEE CHART					

DRAFT WHERE APPLICABLE
MUST REMAIN
WITHIN DIMENSIONS

SIZE A3 THIS DRAWING CONTAINS INFORMATION THAT IS PROPRIETARY TO MOLEX INCORPORATED AND SHOULD NOT BE USED WITHOUT WRITTEN PERMISSION



Компания «ЭлектроПласт» предлагает заключение долгосрочных отношений при поставках импортных электронных компонентов на взаимовыгодных условиях!

Наши преимущества:

- Оперативные поставки широкого спектра электронных компонентов отечественного и импортного производства напрямую от производителей и с крупнейших мировых складов;
- Поставка более 17-ти миллионов наименований электронных компонентов;
- Поставка сложных, дефицитных, либо снятых с производства позиций;
- Оперативные сроки поставки под заказ (от 5 рабочих дней);
- Экспресс доставка в любую точку России;
- Техническая поддержка проекта, помощь в подборе аналогов, поставка прототипов;
- Система менеджмента качества сертифицирована по Международному стандарту ISO 9001;
- Лицензия ФСБ на осуществление работ с использованием сведений, составляющих государственную тайну;
- Поставка специализированных компонентов (Xilinx, Altera, Analog Devices, Intersil, Interpoint, Microsemi, Aeroflex, Peregrine, Syfer, Eurofarad, Texas Instrument, Miteq, Cobham, E2V, MA-COM, Hittite, Mini-Circuits, General Dynamics и др.);

Помимо этого, одним из направлений компании «ЭлектроПласт» является направление «Источники питания». Мы предлагаем Вам помощь Конструкторского отдела:

- Подбор оптимального решения, техническое обоснование при выборе компонента;
- Подбор аналогов;
- Консультации по применению компонента;
- Поставка образцов и прототипов;
- Техническая поддержка проекта;
- Защита от снятия компонента с производства.



Как с нами связаться

Телефон: 8 (812) 309 58 32 (многоканальный)

Факс: 8 (812) 320-02-42

Электронная почта: org@eplast1.ru

Адрес: 198099, г. Санкт-Петербург, ул. Калинина, дом 2, корпус 4, литера А.