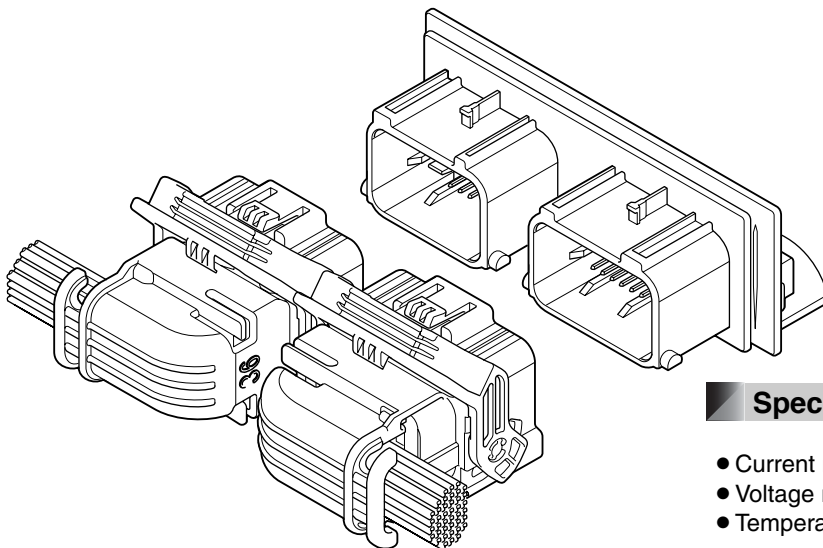


This is ECU I/O connector for automobile air-bag of the miniaturization and sealed type.

This connector has the various pin arrangement/color/key code/PC board connecting method corresponding to needs, hence the connector type suitable for the vehicle can be selected.



### Features

#### ●Variation

Contact JST for pin arrangement/housing color/key code.  
Dip type and press-fit type are available for connecting at PC board side.

#### ●Terminal construction

It is designed to prevent the deformation of contact area when processing wire harness by protecting contact area of each terminal box.

#### ●Mating

CPA adopted. It enables the connector to be locked securely and prevents incomplete mating on the assembly line resulting in improved connector retention force.  
The lever mechanism is adopted to decrease the insertion force in mating male and female.

#### ●Sealed

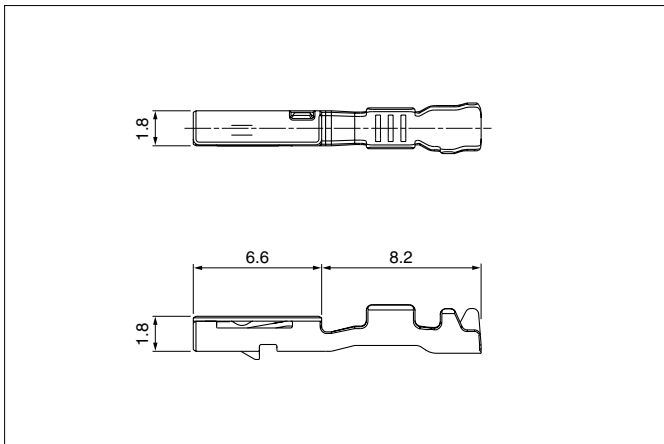
Mat seal is adopted for improving the workability of harness assembling.

### Specifications

- Current rating: 5A AC, DC max.
- Voltage rating: 14V DC max.
- Temperature range: -40°C to +120°C  
(including temperature rise in applying electrical current)
- Contact resistance:
  - Female terminal; Initial value/10mΩ max.  
After environmental testing/20mΩ max.
  - Short terminal; Initial value/50mΩ max.  
After environmental testing/100mΩ max.
- Insulation resistance: 100MΩ min.
- Withstanding voltage: 1,000V AC/minute
- Applicable wire: AVSS/ AESSX (F)  
0.5mm<sup>2</sup>

- \* Compliant with ELV/RoHS.
- \* Contact JST for details.

## Female terminal

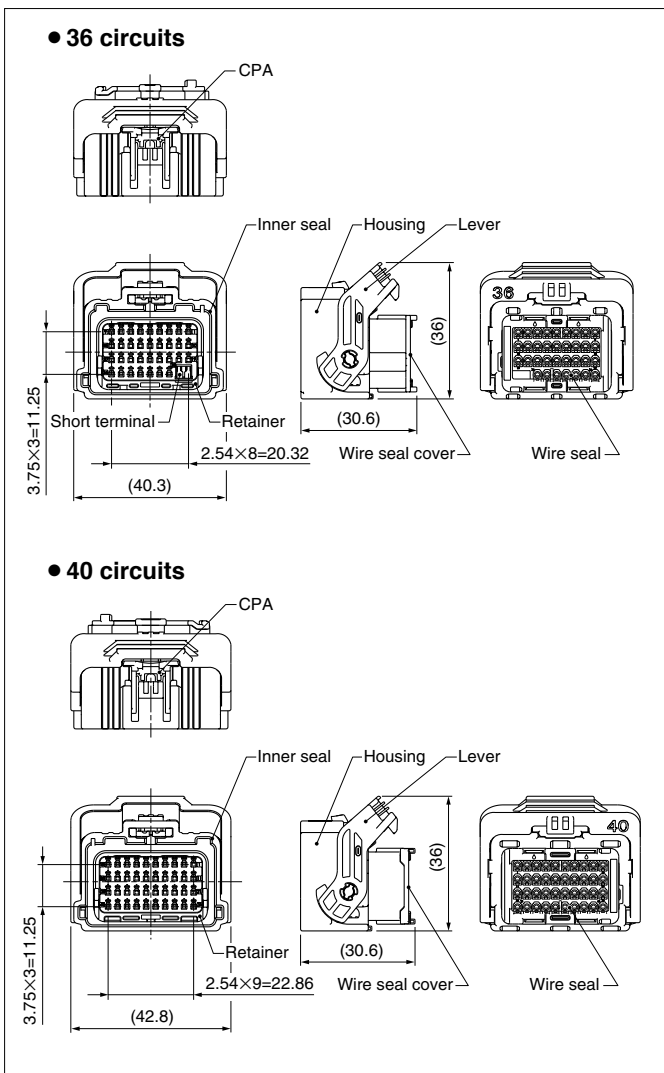


Model No.	Applicable wire range		Q'ty/reel
	Conductor (mm <sup>2</sup> )	Insulation O.D. (mm)	
<b>SWPH-A021GF-M0.64</b>	0.5	1.7	10,000

### Material and Finish

Copper alloy, nickel-undercoated, tin-plated, Contact area; gold-plated

## Female connector



Circuits	Model No.	Q'ty/box
36	<b>36WIC-B-1A-01</b>	280

### Material and Finish

Housing: Glass-filled PBT, yellow  
 Retainer: Glass-filled PBT, black  
 Lever: Glass-filled PBT, black  
 CPA housing: Glass-filled PBT, black  
 Wire seal cover: Glass-filled PBT, black  
 Inner seal: Silicone, green  
 Wire seal: Silicone, green  
 Short terminal: Copper alloy, nickel-undercoated, tin-plated,  
 Contact area; gold-plated

Note: Color/Key codes other than above-mentioned housing are also available. Contact JST for details.

Circuits	Model No.	Q'ty/box
40	<b>40WIC-B-1A-01</b>	280

### Material

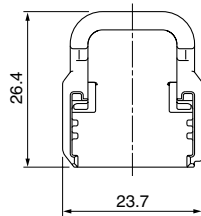
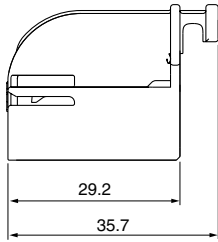
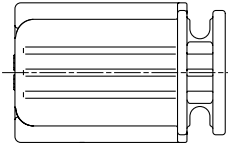
Housing: Glass-filled PBT, yellow  
 Retainer: Glass-filled PBT, black  
 Lever: Glass-filled PBT, black  
 CPA housing: Glass-filled PBT, black  
 Wire seal cover: Glass-filled PBT, black  
 Inner seal: Silicone, red  
 Wire seal: Silicone, red

Note: Color/Key codes other than above-mentioned housing are also available. Contact JST for details.

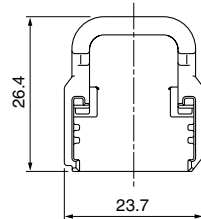
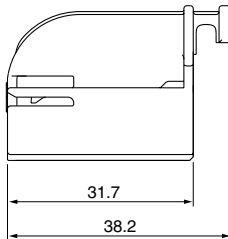
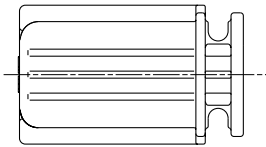
# WIC CONNECTOR

## Female harness cover

### • 36 circuits

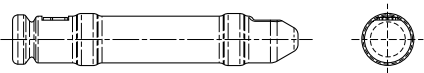
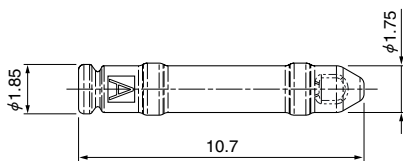


### • 40 circuits



Circuits	Model No.	Q'ty/box
36	<b>WICC-36-S</b>	400
40	<b>WICC-40-S</b>	400
<b>Material</b>		
Glass-filled PBT, natural (white)		

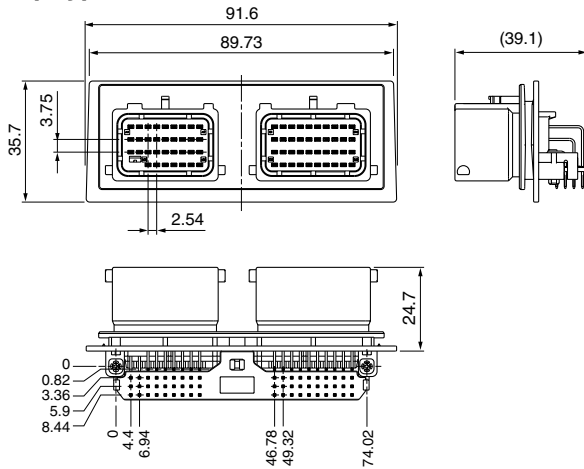
## Female dummy plug



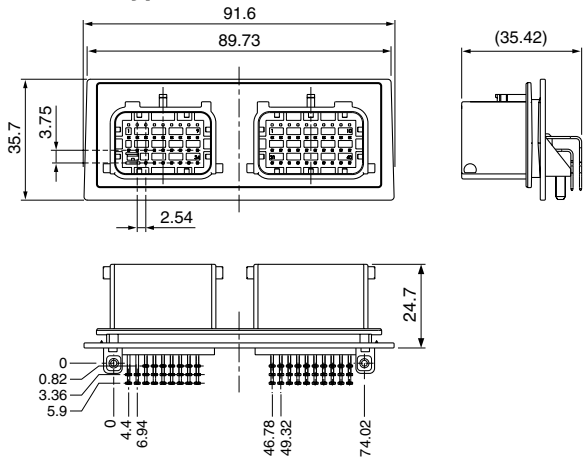
Model No.	Q'ty/box
<b>WPHDP-H-1A-H</b>	7,000
<b>Material</b>	
PBT, gray	

## Male connector

### Dip type



### Press-fit type



Circuits	Model No.	Q'ty/box
38	<b>S38B-WIC01-1A</b>	120

#### Material and Finish

Housing: Glass-filled PBT, yellow  
 Tine-plate: Glass-filled PBT, black  
 Pin: Copper alloy, nickel-undercoated, tin-plated,  
 Contact area; gold-plated

Note: Color/Key codes other than above-mentioned housing are also available.  
 Up to maximum 74 circuits for dip type and maximum 55 circuits for press-fit type (extensible up to 74 circuits) are available. Contact JST for details.

Circuits	Model No.	Q'ty/box
22	<b>S54(76)B-WICP01-1A</b>	60

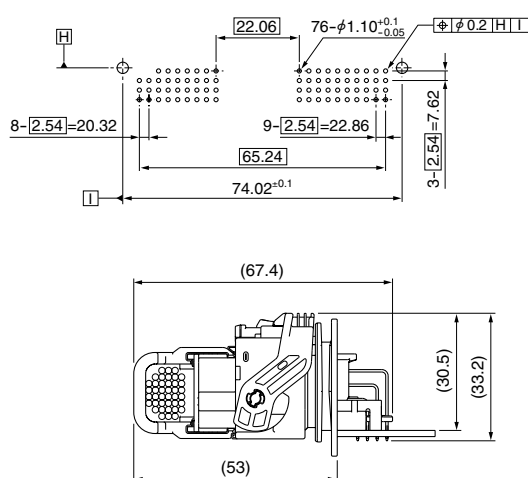
#### Material and Finish

Housing: Glass-filled PBT, light blue  
 Pin: Phosphor bronze, nickel-undercoated,  
 Press-fit area; tin-plated, Contact area; gold-plated

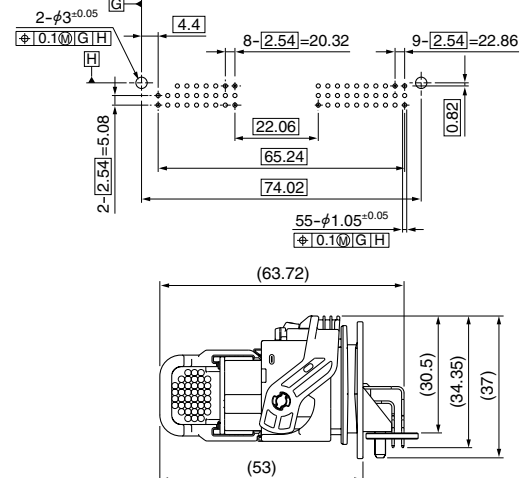
Note: Color/Key codes other than above-mentioned housing are also available.  
 Up to maximum 74 circuits for dip type and maximum 55 circuits for press-fit type (extensible up to 74 circuits) are available. Contact JST for details.

## PC board layout, Assembly layout

### Dip type



### Press-fit type



## Crimping machine, Applicator

Strip terminal	Crimping machine	Crimp applicator MKS-L	
		Dies	Crimp applicator with dies
SWPH-A021GF-M0.64	AP-K2N	MK/SWPH-A021-064	APLMK SWPH-A021-064

Note: When crimping operation is conducted using an applicator and die set other than the above, JST cannot guarantee the performance of the terminal.

# Mouser Electronics

Authorized Distributor

Click to View Pricing, Inventory, Delivery & Lifecycle Information:

JST:

[40WIC-B-1A-06](#) [WICC-36-S](#) [36WIC-B-1A-01](#) [WICC-40-S](#) [WPHDP-H-1A-H](#)



Компания «ЭлектроПласт» предлагает заключение долгосрочных отношений при поставках импортных электронных компонентов на взаимовыгодных условиях!

Наши преимущества:

- Оперативные поставки широкого спектра электронных компонентов отечественного и импортного производства напрямую от производителей и с крупнейших мировых складов;
- Поставка более 17-ти миллионов наименований электронных компонентов;
- Поставка сложных, дефицитных, либо снятых с производства позиций;
- Оперативные сроки поставки под заказ (от 5 рабочих дней);
- Экспресс доставка в любую точку России;
- Техническая поддержка проекта, помощь в подборе аналогов, поставка прототипов;
- Система менеджмента качества сертифицирована по Международному стандарту ISO 9001;
- Лицензия ФСБ на осуществление работ с использованием сведений, составляющих государственную тайну;
- Поставка специализированных компонентов (Xilinx, Altera, Analog Devices, Intersil, Interpoint, Microsemi, Aeroflex, Peregrine, Syfer, Eurofarad, Texas Instrument, Miteq, Cobham, E2V, MA-COM, Hittite, Mini-Circuits, General Dynamics и др.);

Помимо этого, одним из направлений компании «ЭлектроПласт» является направление «Источники питания». Мы предлагаем Вам помощь Конструкторского отдела:

- Подбор оптимального решения, техническое обоснование при выборе компонента;
- Подбор аналогов;
- Консультации по применению компонента;
- Поставка образцов и прототипов;
- Техническая поддержка проекта;
- Защита от снятия компонента с производства.



#### Как с нами связаться

**Телефон:** 8 (812) 309 58 32 (многоканальный)

**Факс:** 8 (812) 320-02-42

**Электронная почта:** [org@eplast1.ru](mailto:org@eplast1.ru)

**Адрес:** 198099, г. Санкт-Петербург, ул. Калинина, дом 2, корпус 4, литера А.