

4

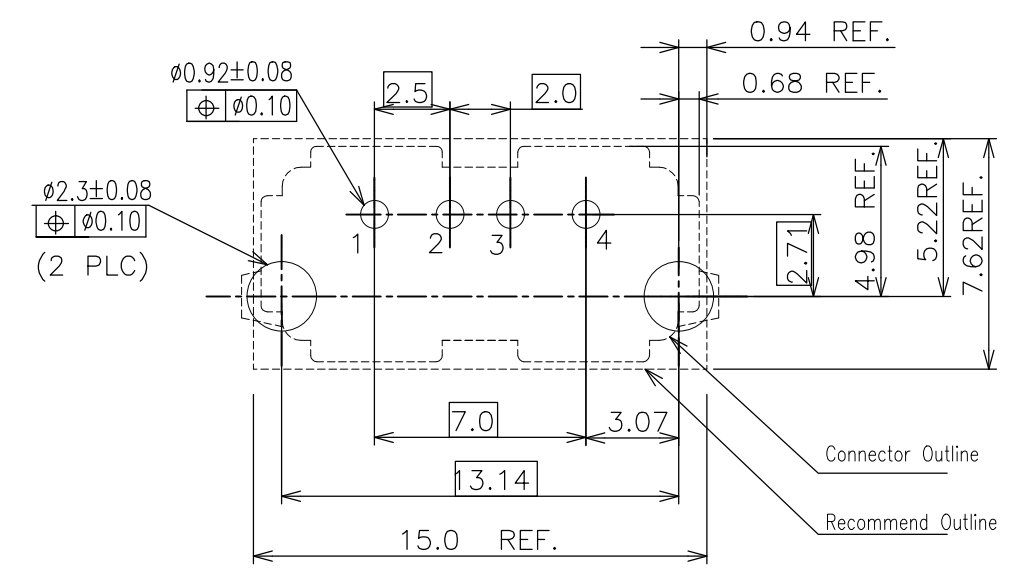
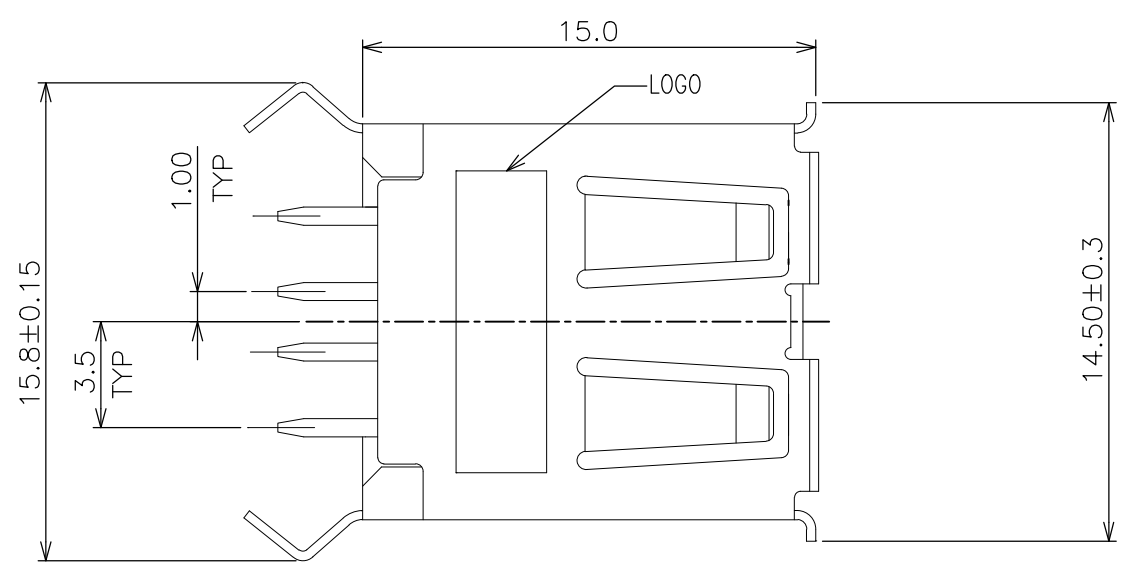
3

2

1

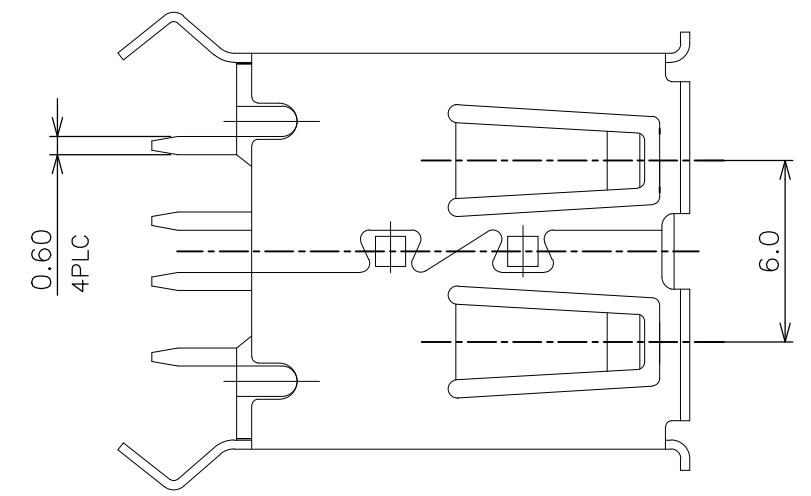
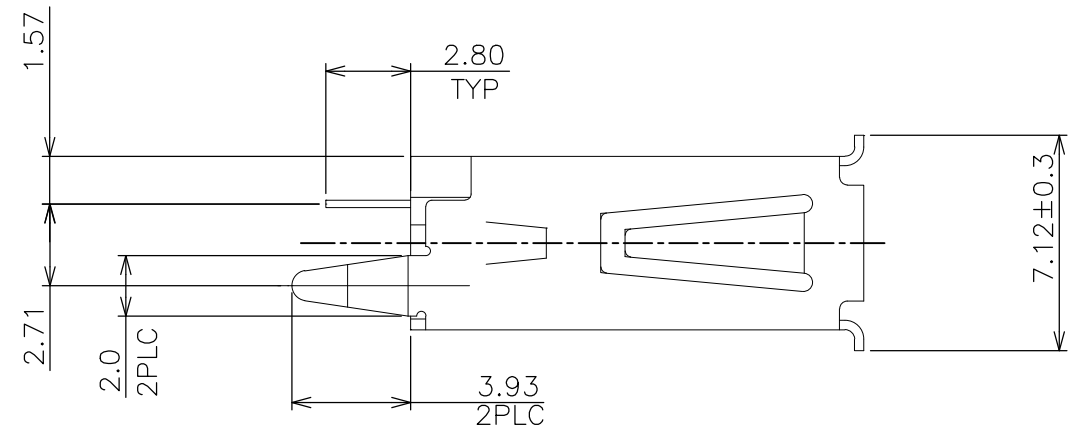
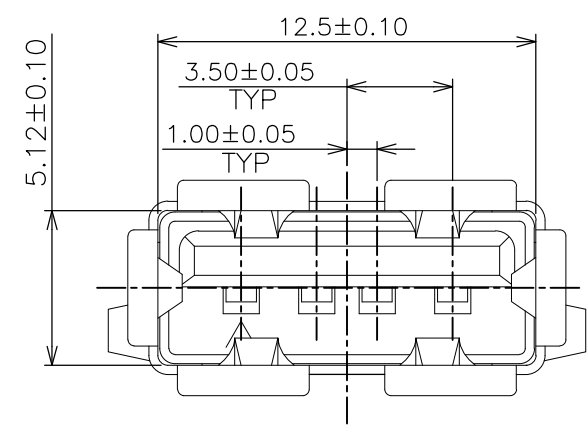
THIS DRAWING IS UNPUBLISHED. RELEASED FOR PUBLICATION  
 © COPYRIGHT BY TYCO ELECTRONICS CORPORATION. ALL RIGHTS RESERVED.

LOC	DIST	REVISIONS			
P	LTR	DESCRIPTION	DATE	DWN	APVD
DW		C5 REVISED PER E-17-008108	6JUN17	A.X	H.W



RECOMMENDED P.C. BOARD LAYOUT (T=1.6)  
(TOP VIEW) (TOLERANCE: ±0.05)

- NOTE:
- MATERIAL:
    - HOUSING: PBT (SOLDER CAPABLE, UL 94-V0, COLOR: SEE TABLE.)
    - HOUSING: PA9T (REFLOW CAPABLE, UL 94-V0, COLOR: SEE TABLE.)
    - CAP: LCP (REFLOW CAPABLE, UL 94-V0, COLOR: BLACK.)
    - BACK STOPPER: PBT (SOLDER CAPABLE, UL 94-V0, COLOR: BLACK.)
    - CONTACT: PHOSPHOR BRONZE, THICKNESS = 0.25mm.
    - SHIELD: BRASS, THICKNESS = 0.30mm.
  - FINISH:
    - CONTACT: GOLD FLASH OVER
    - 0.762um [30u"] MIN. PALLADIUM-NICKEL PLATED ON CONTACT
    - 2.54um [100u"] MIN. MATTE-TIN ON SOLDER TAILS,
    - 1.27um [50u"] MIN. NICKEL UNDERPLATED ALL OVER.
    - SHIELD: 2.54um [100u"] MIN. TIN PLATED OVER
    - 1.27um [50u"] MIN. NICKEL UNDERPLATED
    - SHIELD: 0.762-2.03um [30-80u"] SOLDERABLE NICKEL OVER 0.762-2.03um [30-80u"] COPPER

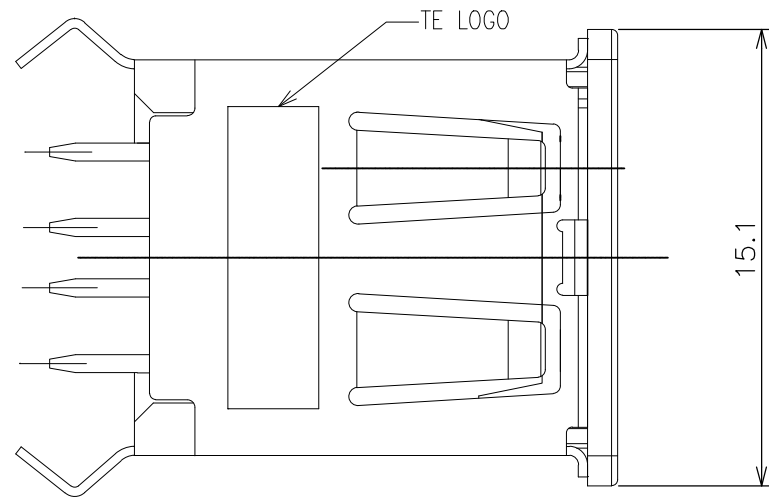


SEE SHEET 4	BLACK	1734366-5	△	△
SEE SHEET 5	BLACK	1734366-4	△	△
	BLUE	1734366-3		
SEE SHEET 4	WHITE	1734366-2	△	△
	BLACK	1734366-1		
PACKING	HSG'S COLOR	PART NUMBER	HOUSING MATERIAL	SHIELD FINISH

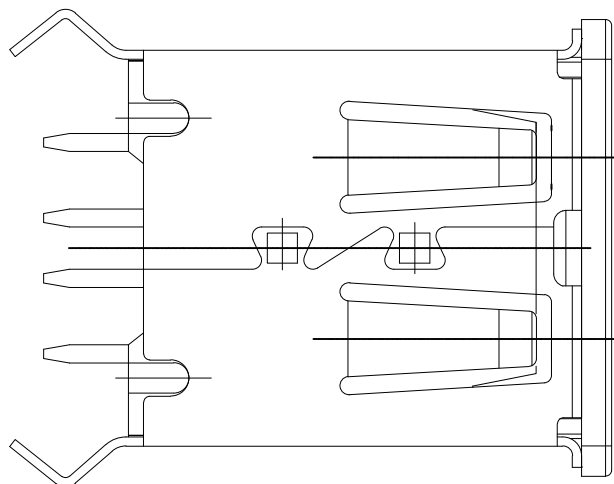
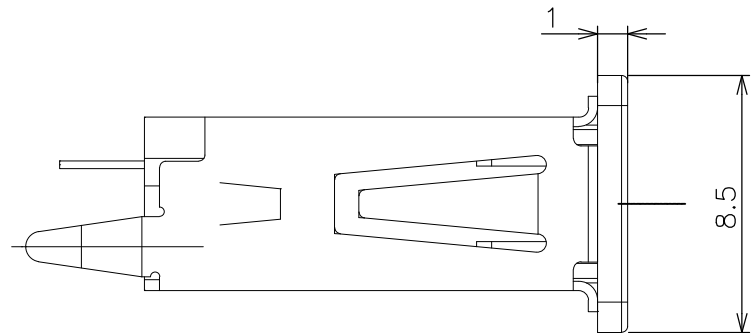
THIS DRAWING IS A CONTROLLED DOCUMENT.		DWN S. CHIEN 19SEP2008	<b>STE</b> TE Connectivity			
		CHK S. CHIEN 19SEP2008				
		APVD W.KODAMA 19SEP2008	NAME			
DIMENSIONS: mm		PRODUCT SPEC 108-57547	RECEPT ASSY, VERTICAL, 4 POSITION THRU-HOLE, TYPE A USB			
TOLERANCES UNLESS OTHERWISE SPECIFIED:		APPLICATION SPEC 501-57635				
0 PLC ± 0.38 1 PLC ± 0.25 2 PLC ± 0.13 3 PLC ± 0.05 ANGLES ± 2° MATERIAL SEE NOTE FINISH SEE NOTE		WEIGHT 1.82 GRAMS	SIZE A3	CAGE CODE 00779	DRAWING NO C=1734366	RESTRICTED TO
		CUSTOMER DRAWING	SCALE -	SHEET 1 OF 6	REV C5	

THIS DRAWING IS UNPUBLISHED. RELEASED FOR PUBLICATION  
 © COPYRIGHT BY TYCO ELECTRONICS CORPORATION. ALL RIGHTS RESERVED.

LOC		DIST		REVISIONS			
P	LTR	DESCRIPTION		DATE	DWN	APVD	



1734366-6 AS SHOW  
 OTHER DIMENSIONS ARE THE SAME AS SHEET1

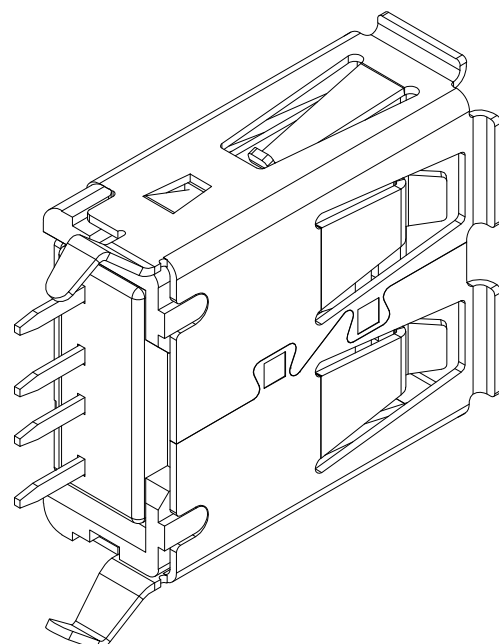
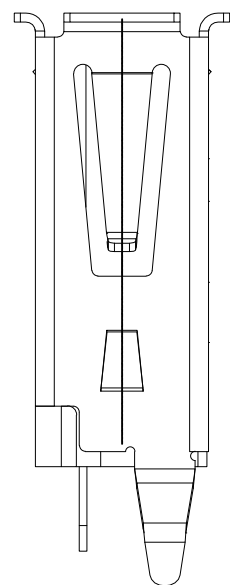


SEE SHEET 6	BLACK	1734366-6	△	△
PACKING	HSG'S COLOR	PART NUMBER	HOUSING MATERIAL	SHIELD FINISH

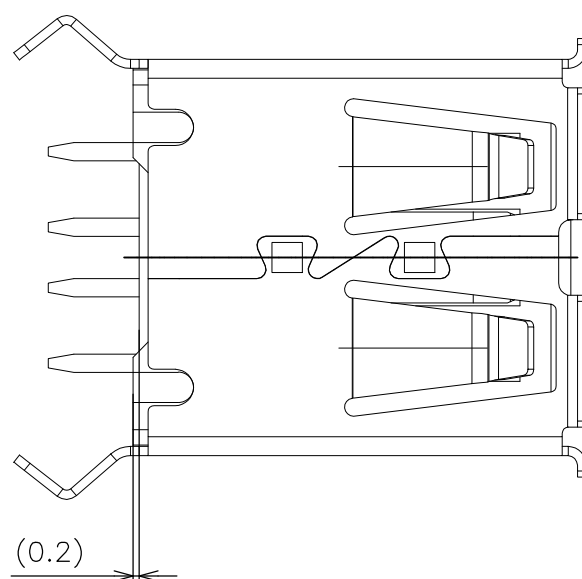
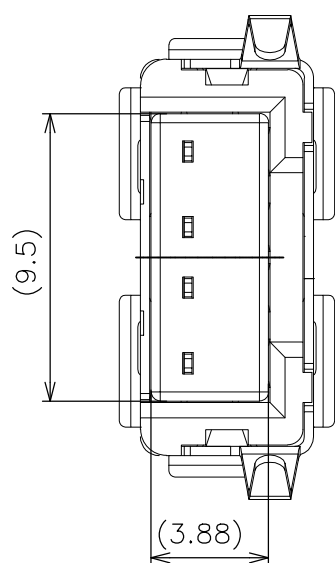
THIS DRAWING IS A CONTROLLED DOCUMENT.		DWN				
DIMENSIONS: mm		CHK				
TOLERANCES UNLESS OTHERWISE SPECIFIED:		APVD	NAME			
0 PLC ± 0.38 1 PLC ± 0.25 2 PLC ± 0.13 3 PLC ± 0.05		PRODUCT SPEC	RECEPT ASSY,VERTICAL,4POSITION THRU-HOLE,TYPE A USB			
ANGLES ± 2° FINISH		APPLICATION SPEC	SIZE	CAGE CODE	DRAWING NO	RESTRICTED TO
MATERIAL		WEIGHT	A3	00779	C=1734366	—
CUSTOMER DRAWING			SCALE	SHEET	REV	
			—	2 OF 6	C5	

THIS DRAWING IS UNPUBLISHED. RELEASED FOR PUBLICATION  
 © COPYRIGHT BY TYCO ELECTRONICS CORPORATION. ALL RIGHTS RESERVED.


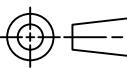
LOC		DIST		REVISIONS				
P	LTR	DESCRIPTION			DATE	DWN	APVD	



1734366-7 AS SHOW  
 OTHER DIMENSIONS ARE THE SAME AS SHEET1

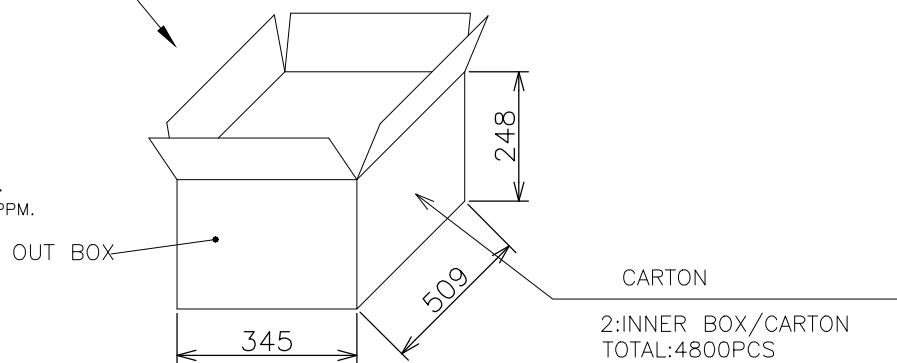
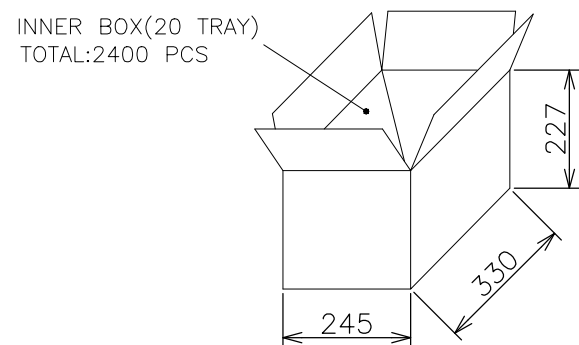
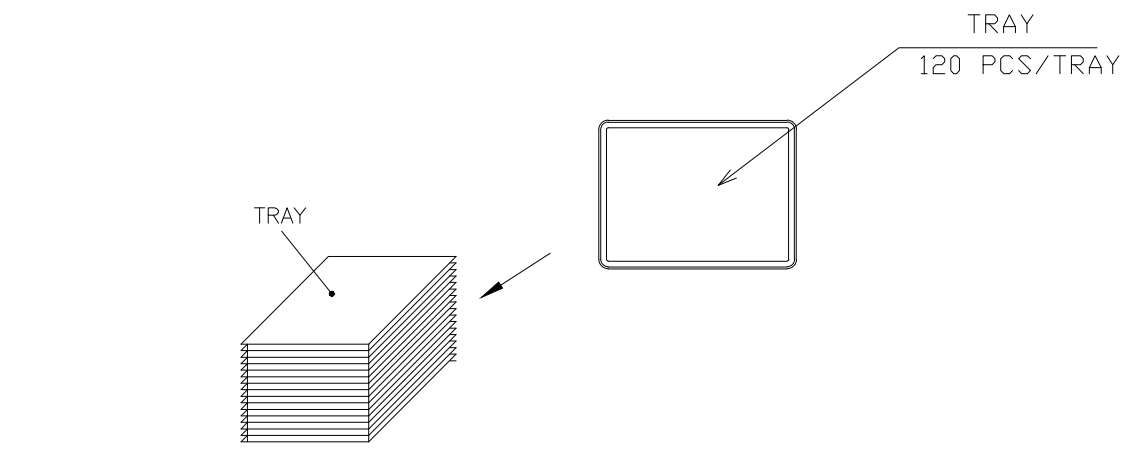


SEE SHEET 4	BLACK	1734366-7	△	△
PACKING	HSG'S COLOR	PART NUMBER	HOUSING MATERIAL	SHIELD FINISH

THIS DRAWING IS A CONTROLLED DOCUMENT.		DWN	 TE Connectivity		
DIMENSIONS: mm 		CHK			
TOLERANCES UNLESS OTHERWISE SPECIFIED: 0 PLC ± 0.38 1 PLC ± 0.25 2 PLC ± 0.13 3 PLC ± 0.05 ANGLES ± 2° MATERIAL FINISH		APVD	NAME		
MATERIAL		PRODUCT SPEC	SIZE CAGE CODE DRAWING NO RESTRICTED TO		
		APPLICATION SPEC	A3 00779 C=1734366		
		WEIGHT	CUSTOMER DRAWING SCALE SHEET 3 OF 6 REV C5		

THIS DRAWING IS UNPUBLISHED. RELEASED FOR PUBLICATION  
 © COPYRIGHT BY TYCO ELECTRONICS CORPORATION. ALL RIGHTS RESERVED.

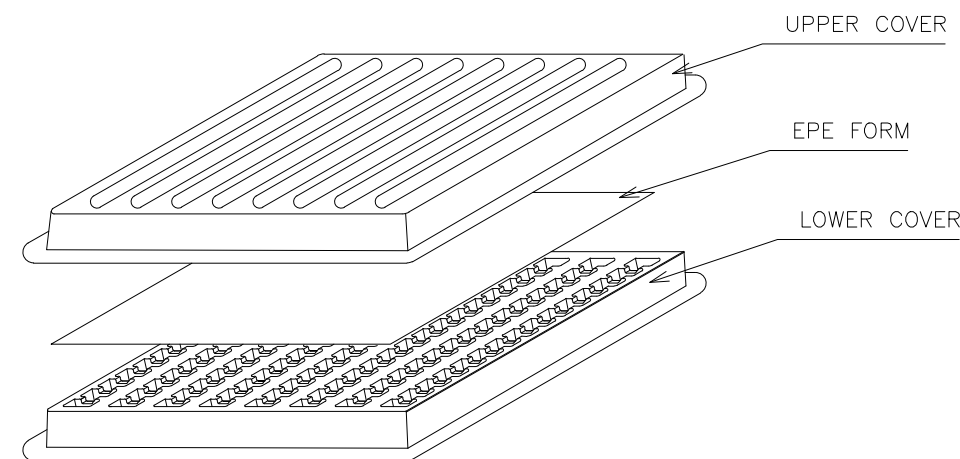
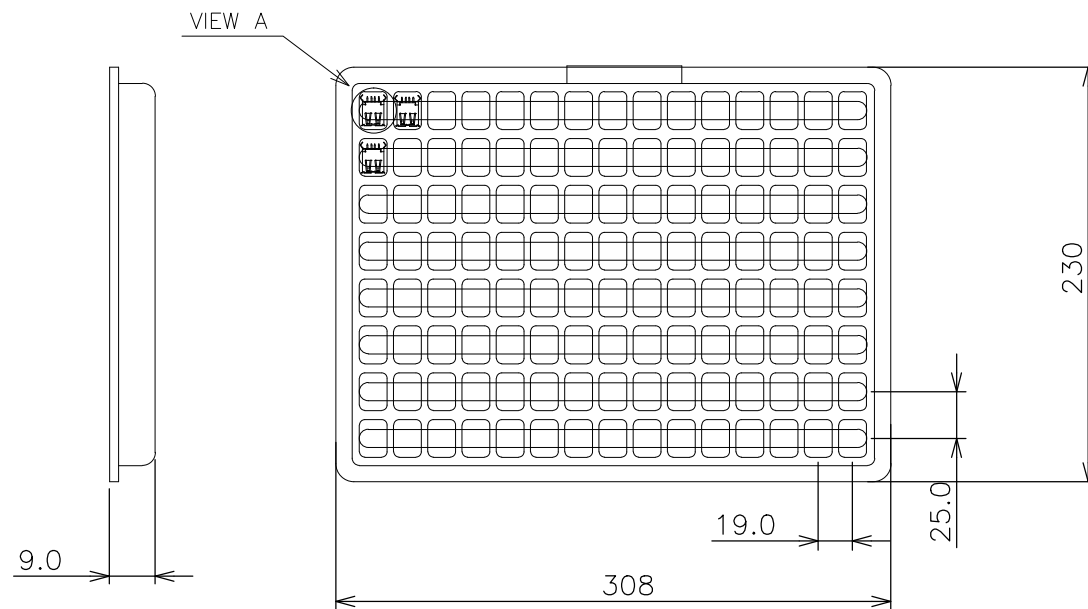
LOC	DIST	REVISIONS			
P	LTR	DESCRIPTION	DATE	DWN	APVD



NOTE :  
 1. PACKAGING MATERIAL IN PLASTIC, RUBBER,INK,PIGMENT AND PAINT  
 MUST MEET CONTROLLED SUBSTANCES SPEC PER 230-702.  
 \* CADMIUM AND CADMIUM COMPOUNDS NOT TO EXCEED:5 PPM.  
 \* LEAD,CADMIUM,CHROM VI AND MERCURY NOT TO EXCEED:100 PPM(COMBINED).  
 2. MATERIAL :  
 TRAY: PVC, UPPER COVER THICKNE=0.3MM.  
 LOWER COVER THICKNE=0.4MM

2:INNER BOX/CARTON  
 TOTAL:4800PCS  
 GROSS WEIGHT:12.2 KGS  
 NET WEIGHT:11.2 KGS

USE THE TAPE TO FIX THE TRAY(4X)



4800	1734366-7
4800	1734366-5
4800	1734366-2
4800	1734366-1
QTY	PART NUMBER

THIS DRAWING IS A CONTROLLED DOCUMENT.		DWN	TE Connectivity		
DIMENSIONS: mm		CHK	NAME		
		APVD	RECEIPT ASSY,VERTICAL,4POSITION THRU-HOLE,TYPE A USB		
TOLERANCES UNLESS OTHERWISE SPECIFIED:		PRODUCT SPEC	SIZE	CAGE CODE	DRAWING NO
0 PLC ± -		APPLICATION SPEC	A3	00779	C=1734366
1 PLC ± 0.3		WEIGHT	RESTRICTED TO		
2 PLC ± 0.2		CUSTOMER DRAWING	SCALE	SHEET	REV
3 PLC ± 0.15			-	4 OF 6	C5
4 PLC ± -					
ANGLES ± 3°					
MATERIAL					
FINISH					

4

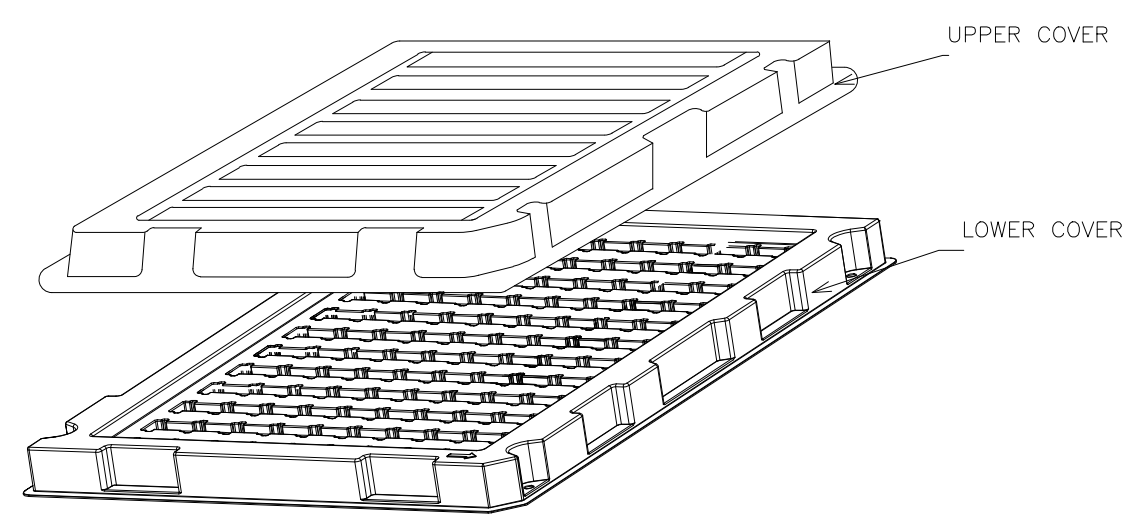
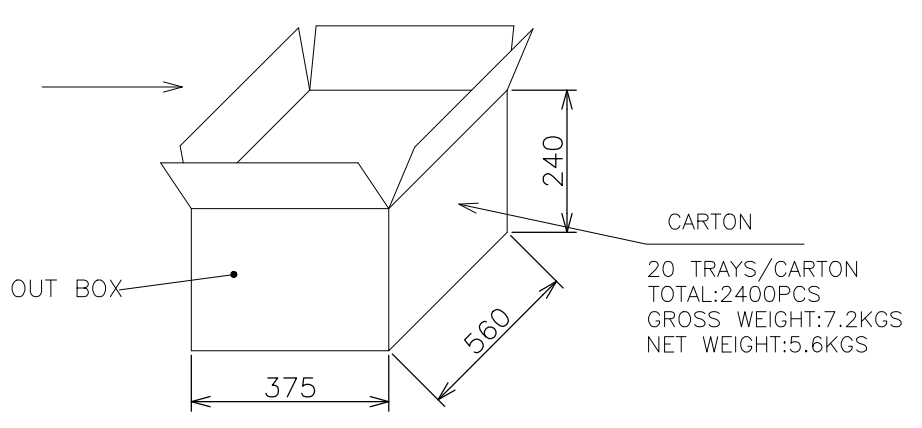
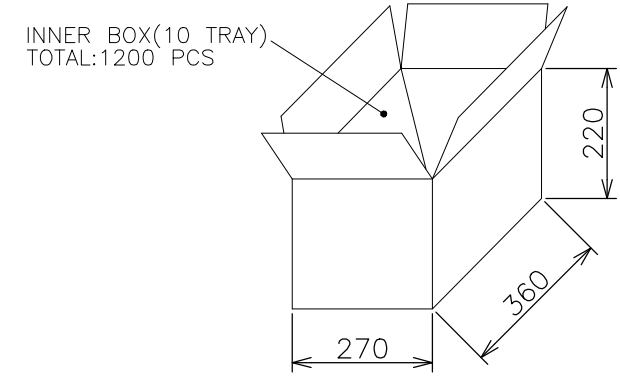
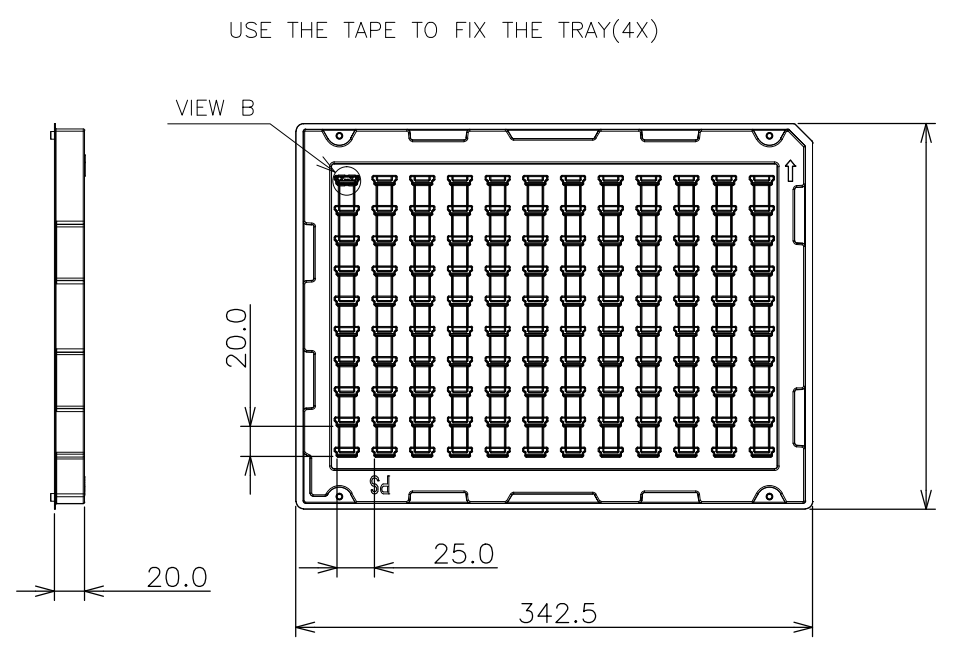
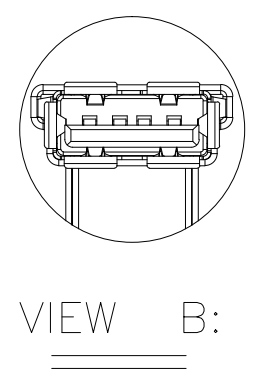
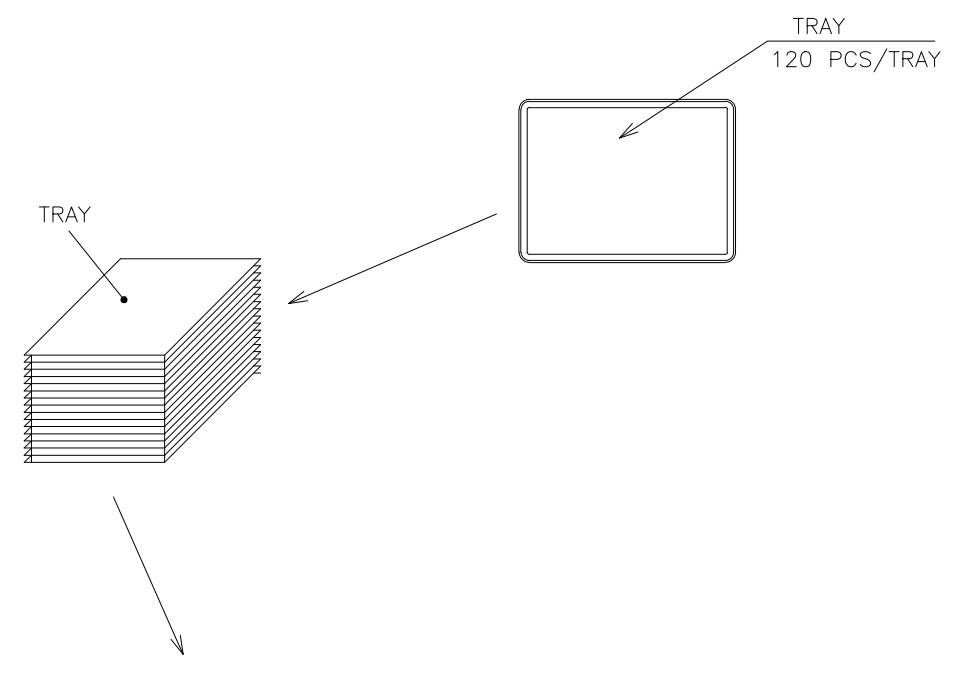
3

2

1

THIS DRAWING IS UNPUBLISHED. RELEASED FOR PUBLICATION  
 © COPYRIGHT BY TYCO ELECTRONICS CORPORATION. ALL RIGHTS RESERVED.

LOC	DIST	REVISIONS			
P	LTR	DESCRIPTION	DATE	DWN	APVD
DW					



NOTE :  
 1. PACKAGING MATERIAL IN PLASTIC, RUBBER,INK,PIGMENT AND PAINT MUST MEET CONTROLLED SUBSTANCES SPEC PER 230-702.  
 \* CADMIUM AND CADMIUM COMPOUNDS NOT TO EXCEED:5 PPM.  
 \* LEAD,CADMIUM,CHROM VI AND MERCURY NOT TO EXCEED:100 PPM(COMBINED).  
 2. MATERIAL :  
 TRAY: PS, UPPER COVER THICKNE=0.5MM. LOWER COVER THICKNE=0.7MM

2400	1734366-4
2400	1734366-3
QTY	PART NUMBER

THIS DRAWING IS A CONTROLLED DOCUMENT.		DWN	TE Connectivity		
DIMENSIONS: mm		CHK	RECEIPT ASSY,VERTICAL,4POSITION THRU-HOLE,TYPE A USB		
TOLERANCES UNLESS OTHERWISE SPECIFIED:		APVD	NAME		
0 PLC ± -		PRODUCT SPEC	SIZE	CAGE CODE	DRAWING NO
1 PLC ± 0.3		APPLICATION SPEC	A3	00779	©=1734366
2 PLC ± 0.2		WEIGHT	RESTRICTED TO		
3 PLC ± 0.15		CUSTOMER DRAWING	SCALE		
4 PLC ANGLES ± 3'		SCALE	SHEET 5 of 6		
MATERIAL	FINISH	REV C5			

4

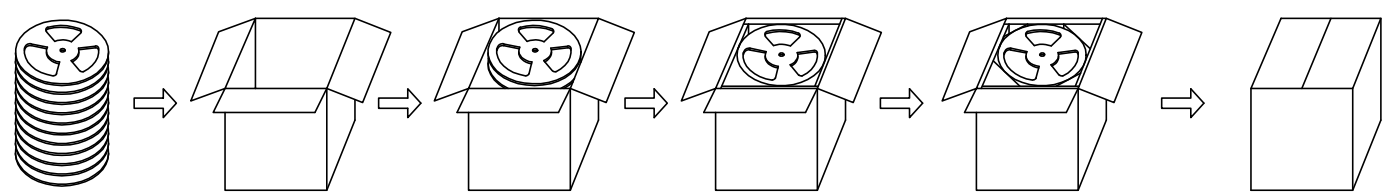
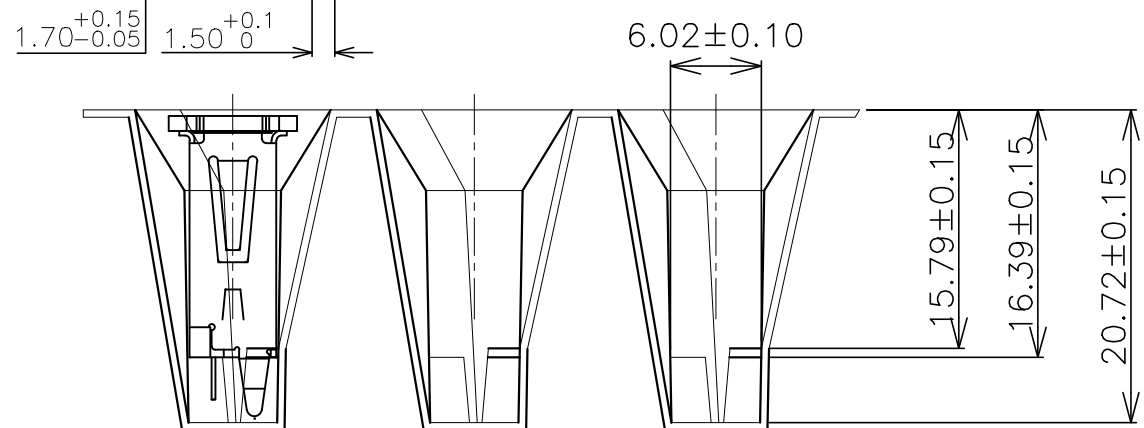
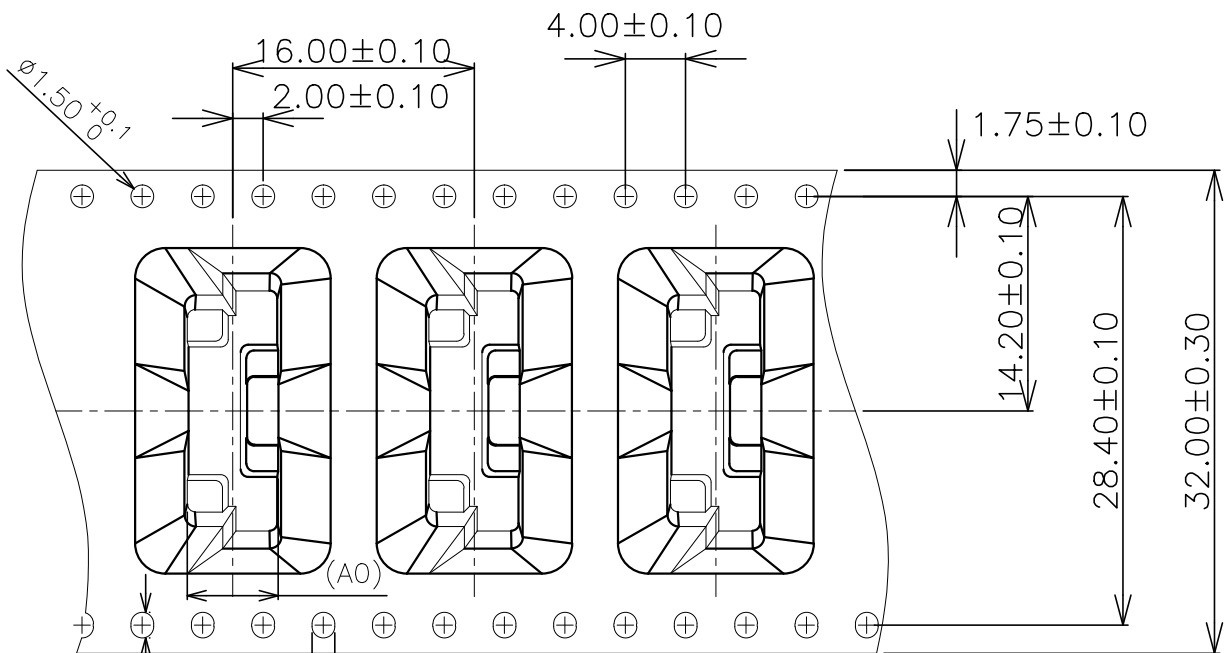
3

2

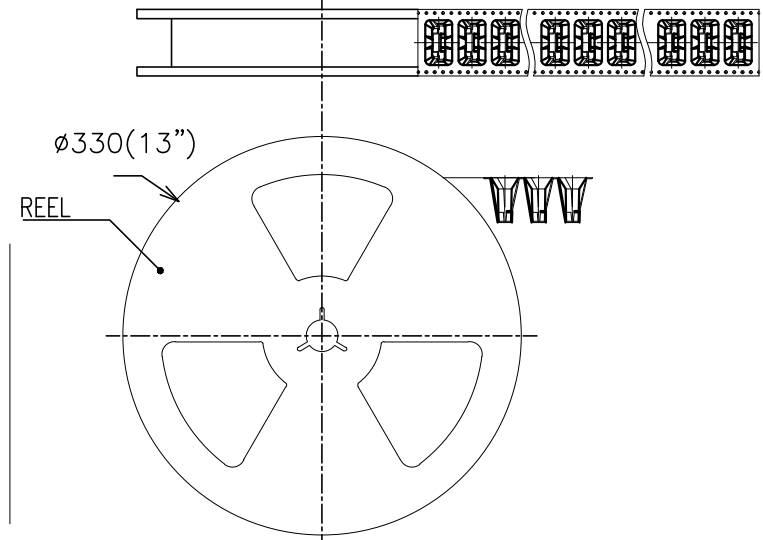
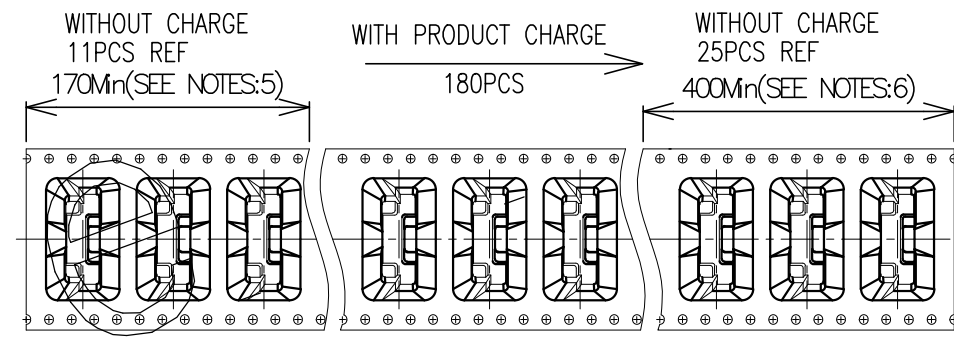
1

THIS DRAWING IS UNPUBLISHED. RELEASED FOR PUBLICATION  
 © COPYRIGHT BY TYCO ELECTRONICS CORPORATION. ALL RIGHTS RESERVED.

LOC	DIST	REVISIONS					
		P	LTR	DESCRIPTION	DATE	DWN	APVD
DW	/						



NOTE :  
 1. PACKAGING MATERIAL IN PLASTIC, RUBBER, INK, PIGMENT AND PAINT  
 MUST MEET CONTROLLED SUBSTANCES SPEC PER 230-702.  
 \* CADMIUM AND CADMIUM COMPOUNDS NOT TO EXCEED:5 PPM.  
 \* LEAD, CADMIUM, CHROM VI AND MERCURY NOT TO EXCEED:100 PPM (COMBINED).  
 2. MATERIAL :  
 REEL: BLACK CONDUCTIVE POLYSTYRENE ALLOY



1440	1734366-6
QTY	PART NUMBER

THIS DRAWING IS A CONTROLLED DOCUMENT.		DWN	TE Connectivity	
DIMENSIONS: mm		CHK	RECEIPT ASSY, VERTICAL, 4 POSITION THRU-HOLE, TYPE A USB	
TOLERANCES UNLESS OTHERWISE SPECIFIED:		APVD	NAME	RESTRICTED TO
0 PLC ± -		PRODUCT SPEC	SIZE	CAGE CODE
1 PLC ± 0.3		APPLICATION SPEC	A3	00779
2 PLC ± 0.2		WEIGHT	DRAWING NO C=1734366	
3 PLC ± 0.15		CUSTOMER DRAWING	SCALE	SHEET
4 PLC ± -			-	6 of 6
ANGLES ± 3'				REV C5
MATERIAL	FINISH			



Компания «ЭлектроПласт» предлагает заключение долгосрочных отношений при поставках импортных электронных компонентов на взаимовыгодных условиях!

Наши преимущества:

- Оперативные поставки широкого спектра электронных компонентов отечественного и импортного производства напрямую от производителей и с крупнейших мировых складов;
- Поставка более 17-ти миллионов наименований электронных компонентов;
- Поставка сложных, дефицитных, либо снятых с производства позиций;
- Оперативные сроки поставки под заказ (от 5 рабочих дней);
- Экспресс доставка в любую точку России;
- Техническая поддержка проекта, помощь в подборе аналогов, поставка прототипов;
- Система менеджмента качества сертифицирована по Международному стандарту ISO 9001;
- Лицензия ФСБ на осуществление работ с использованием сведений, составляющих государственную тайну;
- Поставка специализированных компонентов (Xilinx, Altera, Analog Devices, Intersil, Interpoint, Microsemi, Aeroflex, Peregrine, Syfer, Eurofarad, Texas Instrument, Miteq, Cobham, E2V, MA-COM, Hittite, Mini-Circuits, General Dynamics и др.);

Помимо этого, одним из направлений компании «ЭлектроПласт» является направление «Источники питания». Мы предлагаем Вам помощь Конструкторского отдела:

- Подбор оптимального решения, техническое обоснование при выборе компонента;
- Подбор аналогов;
- Консультации по применению компонента;
- Поставка образцов и прототипов;
- Техническая поддержка проекта;
- Защита от снятия компонента с производства.



#### Как с нами связаться

**Телефон:** 8 (812) 309 58 32 (многоканальный)

**Факс:** 8 (812) 320-02-42

**Электронная почта:** [org@eplast1.ru](mailto:org@eplast1.ru)

**Адрес:** 198099, г. Санкт-Петербург, ул. Калинина, дом 2, корпус 4, литера А.