



Introducing ZDC RF Coax Connector Series 50 & 75 Ohm

ZDC RF Coax Connector Series 50 & 75 Ohm

KEY FEATURES

Bayonet Coupling for
rapid connectivity

Threaded Coupling to
provide secure termination

Multiple PCB mounting
options and styles

INTRODUCTION

The RoHS compliant ZDC Coax Connector series from Tyco Electronics offers quality cost effective solutions for commercial applications by the use of precision die-cast components, and thermoplastic dielectrics. This brochure showcases some of the popular BNC interface part numbers in a variety of styles. The ZDC line also includes parts with TNC, UHF, M-UHF, F and SMA interface.

The connector interfaces are compatible with the requirements of MIL-C-39012 and MIL STD348A, and are therefore intermateable with products manufactured to these specifications. Available in a range of cable mounted plugs and jacks, bulkhead and PCB sockets, the Tyco Electronics ZDC Coax Connector range offers a comprehensive choice of solutions for cost demanding applications. The crimp connectors utilize standard hexagonal crimp tools and die-sets avoiding costly retooling.

DESCRIPTION

RoHS compliant coax crimp and PCB styles

Precision die-cast construction

Interface meets MIL STD348A

Available in plug, jack, socket and adaptor types

Standard hexagonal crimp hand tool and dies

Terminates to popular RG coax cables

MECHANICAL

Operating temperature range -55°C to +85°C

Durability 50 cycles minimum

APPLICATIONS

Instrumentation

Medical equipment

Industrial process and control

Transportation

CCTV monitoring



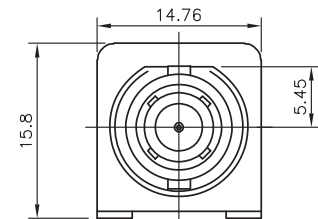
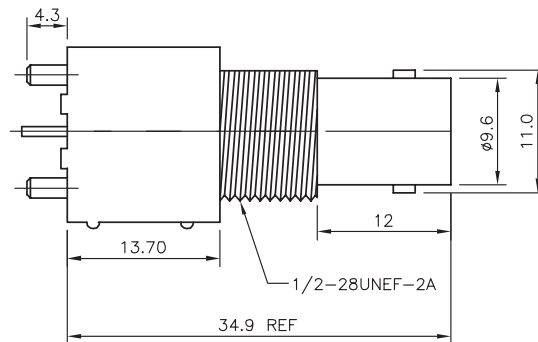
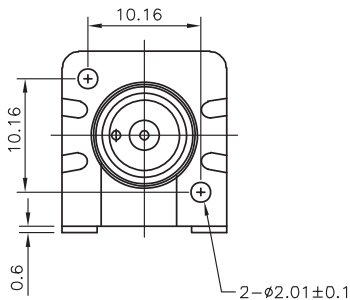
ZDC RF Coax Connector Series 50 & 75 Ohm

ELECTRICAL

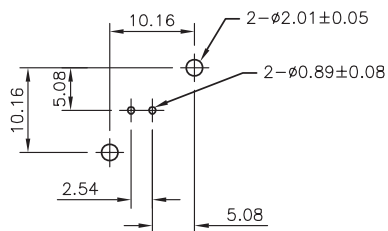
50 Ohm and 75 Ohm impedance
DC - 4GHz frequency range

MATERIALS

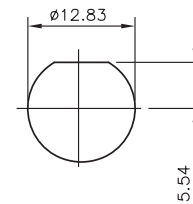
Nickel plated zinc die cast construction
Gold plated center contact and thermoplastic dielectric



RECOMMENDED PCB LAYOUT
WITH MOUNTING POSTS OR BOARD LOCKS



RECOMMENDED MOUNTING HOLE
MAX PANEL THICKNESS: 5.5mm



PRODUCT OFFERING & DIMENSIONS

BNC Straight Plug Crimp

| TE Part Number | Ohms | Cable Group |
|----------------|------|-------------|
| 5-1634500-1 | 50 | RG174 |
| 5-1634500-2 | 50 | RG58 |
| 5-1634502-4 | 75 | RG179 |
| 5-1634502-2 | 75 | RG59 |



BNC Straight Jack Crimp

| TE Part Number | Ohms | Cable Group |
|----------------|------|-------------|
| 5-1634511-1 | 50 | RG174 |
| 5-1634511-2 | 50 | RG58 |
| 5-1634514-1 | 75 | RG59 |



BNC Bulkhead Jack Rear Mount

| TE Part Number | Ohms | Cable Group |
|----------------|------|-------------|
| 5-1634516-1 | 50 | RG58 |
| 5-1624516-3 | 75 | RG179 |
| 5-1634516-5 | 75 | RG59 |



BNC Bulkhead Socket Front Mount

| TE Part Number | Ohms | Cable Group |
|----------------|------|-------------|
| 5-1634523-1 | 50 | - |
| 5-1634523-2 | 75 | - |



BNC Bulkhead Socket Rear Mount

| TE Part Number | Ohms | Cable Group |
|----------------|------|-------------|
| 5-1634518-1 | 50 | - |
| 5-1634518-3 | 75 | - |



BNC Insulated Bulkhead Socket

| TE Part Number | Ohms | Cable Group |
|----------------|------|-------------|
| 5-1634504-1 | 50 | - |
| 5-1634504-2 | 75 | - |



BNC Elbow PCB Socket - Insulated*

| TE Part Number | Ohms | Description |
|----------------|------|-------------------|
| 1-1337542-0 | 50 | White Low Profile |
| 1-1337543-0 | 50 | White Std Profile |
| 1-1634613-0 | 50 | Black Low Profile |
| 1-1634612-0 | 50 | Black Std Profile |
| 1-1478031-0 | 75 | White Low Profile |
| 1-1478032-0 | 75 | White Std Profile |
| 1-1634624-0 | 75 | Black Low Profile |
| 1-1634622-0 | 75 | Black Std Profile |



BNC Elbow PCB Socket - Metal*

| TE Part Number | Ohms | Description |
|----------------|------|-------------------|
| 1-1337494-0 | 50 | Metal Std Profile |
| 1-1634508-0 | 75 | Metal Std Profile |



***BNC PCB Accessories for Noted Series**

| TE Part Number | Description |
|----------------|-------------|
| 1-1634817-0 | Lockwasher |
| 1-1634816-0 | Hex Nut |



ZDC RF Coax Connector Series 50 & 75 Ohm

PRODUCT OFFERING & DIMENSIONS

BNC Straight PCB Socket - Insulated*

| TE Part Number | Ohms | Description |
|----------------|------|-------------|
| 1-1337541-0 | 50 | White |
| 1-1634505-0 | 50 | Black |
| 1-1478033-0 | 75 | White |
| 1-1634629-0 | 75 | Black |



BNC Straight PCB Socket - Metal

| TE Part Number | Ohms | Description |
|----------------|------|-------------|
| 5-1634503-1 | 50 | Metal |
| 5-1634503-3 | 75 | Metal |



BNC Straight Adaptors

| TE Part Number | Ohms | Description |
|----------------|------|-------------|
| 5-1634534-1 | 50 | Jack - Jack |



BNC T - Adaptors

| TE Part Number | Ohms | Description |
|----------------|------|--------------------|
| 5-1634532-1 | 50 | Jack - Plug - Jack |



TECHNICAL SPECIFICATIONS

| | |
|---------------------------------|---------------------------|
| Nominal Impedance | 50Ω and 75Ω |
| Working Voltage | 500Vrms |
| Contact Resistance | 1.5mΩ max |
| Insulation Resistance (initial) | 5000MΩ min |
| Dielectric Withstand Voltage | 1500Vrms (sea level) |
| Frequency Range | 0-4GHz (50Ω) 0-2GHz (75Ω) |
| VSWR | |
| DC - 2GHz | Straight 1.15 max |
| Durability (Cycles) | 50 |
| Temperature Range | -55°C to +85°C |
| Body Material | Zinc |
| Body Plating | Nickel |
| Male Contact Material | Brass |
| Female Contact Material | Phosphor Bronze |
| Contact Plating | Gold |
| Insulation | Delrin or Polyethylene |

TERMINATION TOOLING

| | |
|-----------|-------------|
| Hand Tool | 9-1478240-0 |
| Die sets | 9-147824X-0 |

For Tooling see customer drawings at www.tycoelectronics.com

FOR MORE INFORMATION

Technical Support

Internet: www.tycoelectronics.com
E-mail: newproducts@tycoelectronics.com
USA: 1-800-522-6752
Canada: 1-905-470-4425
Mexico: 52-55-1106-0800
C. America: 57-1-254-4444
South America: 55-11-2103-6000
Hong Kong: 852-2735-1628
Japan: 81-44-844-8013
UK: 44-208-420-8341

CONNECTORS WIRE & CABLE EMI/RFI FILTERS CIRCUIT BREAKERS HARNESSING & PROTECTION IDENTIFICATION & LABELING
CIRCUIT BREAKERS HARNESSING & PROTECTION IDENTIFICATION & LABELING PCB & CABLE ASSEMBLIES RELAYS TOOLING S
ION IDENTIFICATION & LABELING PCB & CABLE ASSEMBLIES RELAYS TOOLING SENSORS SWITCHES CONTACTORS CONNECT
ASSEMBLIES RELAYS TOOLING SENSORS SWITCHES CONTACTORS CONNECTORS WIRE & CABLE EMI/RFI FILTERS CIRCUIT
WITCHES CONTACTORS CONNECTORS WIRE & CABLE EMI/RFI FILTERS CIRCUIT BREAKERS HARNESSING & PROTECTION IDE
CABLE EMI/RFI FILTERS CIRCUIT BREAKERS HARNESSING & PROTECTION IDENTIFICATION & LABELING PCB & CABLE ASSEMB
HARNESSING & PROTECTION IDENTIFICATION & LABELING PCB & CABLE ASSEMBLIES RELAYS TOOLING SENSORS SWITCHES
LABELING PCB & CABLE ASSEMBLIES RELAYS TOOLING SENSORS SWITCHES CONTACTORS CONNECTORS WIRE & CABLE E
OOLING SENSORS SWITCHES CONTACTORS CONNECTORS WIRE & CABLE EMI/RFI FILTERS CIRCUIT BREAKERS HARNESSING
CONNECTORS WIRE & CABLE EMI/RFI FILTERS CIRCUIT BREAKERS HARNESSING & PROTECTION IDENTIFICATION & LABELING I
CIRCUIT BREAKERS HARNESSING & PROTECTION IDENTIFICATION & LABELING PCB & CABLE ASSEMBLIES RELAYS TOOLING S
ION IDENTIFICATION & LABELING PCB & CABLE ASSEMBLIES RELAYS TOOLING SENSORS SWITCHES CONTACTORS CONNECT
ASSEMBLIES RELAYS TOOLING SENSORS SWITCHES CONTACTORS CONNECTORS WIRE & CABLE EMI/RFI FILTERS CIRCUIT
WITCHES CONTACTORS CONNECTORS WIRE & CABLE EMI/RFI FILTERS CIRCUIT BREAKERS HARNESSING & PROTECTION IDE
CABLE EMI/RFI FILTERS CIRCUIT BREAKERS HARNESSING & PROTECTION IDENTIFICATION & LABELING PCB & CABLE ASSEMB
HARNESSING & PROTECTION IDENTIFICATION & LABELING PCB & CABLE ASSEMBLIES RELAYS TOOLING SENSORS SWITCHES
LABELING PCB & CABLE ASSEMBLIES RELAYS TOOLING SENSORS SWITCHES CONTACTORS CONNECTORS WIRE & CABLE E
OOLING SENSORS SWITCHES CONTACTORS CONNECTORS WIRE & CABLE EMI/RFI FILTERS CIRCUIT BREAKERS HARNESSING

Tyco Electronics Corporation
Harrisburg, PA

tycoelectronics.com

©2007 Tyco Electronics Corporation. All rights reserved.
6-1773448-5-5M-MS/FP 10-07
TE Logo and Tyco Electronics are trademarks.

 **Tyco Electronics**
Our commitment. Your advantage.



Компания «ЭлектроПласт» предлагает заключение долгосрочных отношений при поставках импортных электронных компонентов на взаимовыгодных условиях!

Наши преимущества:

- Оперативные поставки широкого спектра электронных компонентов отечественного и импортного производства напрямую от производителей и с крупнейших мировых складов;
- Поставка более 17-ти миллионов наименований электронных компонентов;
- Поставка сложных, дефицитных, либо снятых с производства позиций;
- Оперативные сроки поставки под заказ (от 5 рабочих дней);
- Экспресс доставка в любую точку России;
- Техническая поддержка проекта, помощь в подборе аналогов, поставка прототипов;
- Система менеджмента качества сертифицирована по Международному стандарту ISO 9001;
- Лицензия ФСБ на осуществление работ с использованием сведений, составляющих государственную тайну;
- Поставка специализированных компонентов (Xilinx, Altera, Analog Devices, Intersil, Interpoint, Microsemi, Aeroflex, Peregrine, Syfer, Eurofarad, Texas Instrument, Miteq, Cobham, E2V, MA-COM, Hittite, Mini-Circuits, General Dynamics и др.);

Помимо этого, одним из направлений компании «ЭлектроПласт» является направление «Источники питания». Мы предлагаем Вам помощь Конструкторского отдела:

- Подбор оптимального решения, техническое обоснование при выборе компонента;
- Подбор аналогов;
- Консультации по применению компонента;
- Поставка образцов и прототипов;
- Техническая поддержка проекта;
- Защита от снятия компонента с производства.



Как с нами связаться

Телефон: 8 (812) 309 58 32 (многоканальный)

Факс: 8 (812) 320-02-42

Электронная почта: org@eplast1.ru

Адрес: 198099, г. Санкт-Петербург, ул. Калинина, дом 2, корпус 4, литера А.