

ISL68200

Single-Phase R4 Digital Hybrid PWM Controller with Integrated Driver, PMBus/SMBus/I²C, and PFM

FN8705
Rev.4.00
Jul 24, 2018

The [ISL68200](#) is a single-phase synchronous-buck PWM controller featuring the proprietary Renesas R4™ Technology. The ISL68200 supports a wide 4.5V to 24V input voltage range and a wide 0.5V to 5.5V output range. Integrated LDOs provide controller bias voltage, allowing for single supply operation. The ISL68200 includes a PMBus/SMBus/I²C interface for device configuration and telemetry (V_{IN}, V_{OUT}, I_{OUT}, and temperature) and fault reporting.

The proprietary Renesas R4 control scheme has extremely fast transient performance, accurately regulated frequency control, and all internal compensation. An efficiency enhancing PFM mode greatly improves light-load efficiency. The ISL68200's serial bus allows for easy R4 loop optimization, resulting in fast transient performance over a wide range of applications, including all ceramic output filters.

Built-in MOSFET drivers minimize external components, significantly reducing design complexity and board space, while also lowering BOM cost. The 4A drive strength allows for faster switching time, improving regulator efficiency. An integrated high-side gate-to-source resistor helps avoid Miller coupling shoot-through and improves system reliability.

The ISL68200 has four 8-bit configuration pins that provide very flexible configuration options (frequency, V_{OUT}, R4 gain, etc.) without the need for built-in NVM memory. This results in a design flow that closely matches traditional analog controllers, while still offering the design flexibility and feature set of a digital PMBus/SMBus/I²C interface. The ISL68200 also features remote voltage sensing and completely eliminates any potential difference between remote and local grounds. This improves regulation and protection accuracy. A precision enable input is available to coordinate the start-up of the ISL68200 with other voltage rails, which is especially useful for power sequencing.

Applications

- High efficiency and high density POL digital power
- FPGA, ASIC, and memory supplies
- Datacenter servers and storage systems
- Wired infrastructure routers, switches, and optical networking
- Wireless infrastructure base stations

Features

- Proprietary Renesas [R4 Technology](#)
 - Linear control loop for optimal transient response
 - Variable frequency and duty cycle control during load transient for fastest possible response
 - Inherent voltage feed-forward for wide range input
- Input voltage range: 4.5V to 24V
- Output voltage range: 0.5V to 5.5V
- ±0.5% DAC accuracy with remote sense
- Supports all ceramic solutions
- Integrated LDOs for single input rail solution
- SMBus/PMBus/I²C compatible, up to 1.25MHz
- 256 boot-up voltage levels with a configuration pin
- Eight switching frequency options from 300kHz to 1.5MHz
- PFM operation option for improved light-load efficiency
- Startup into precharged load
- Precision enable input to set higher input UVLO and power sequence as well as fault reset
- Power-good monitor for soft-start and fault detection
- Comprehensive fault protection for high system reliability
 - Over-temperature protection
 - Output overcurrent and short-circuit protection
 - Output overvoltage and undervoltage protection
 - Open remote sense protection
 - Integrated high-side gate-to-source resistor to prevent self turn-on due to high input bus dV/dt
- Integrated power MOSFETs 4A drivers with adaptive shoot-through protection and bootstrap function
- Compatible with Renesas [PowerNavigator™](#) software

Related Literature

For a full list of related documents, visit our website

- [ISL68200](#) product page

TABLE 1. SINGLE-PHASE R4 DIGITAL HYBRID PWM CONTROLLER OPTIONS

| PART NUMBER | INTEGRATED DRIVER | PWM OUTPUT | PMBus/SMBus/I ² C INTERFACE | COMPATIBLE DEVICES |
|-------------|-------------------|------------|--|--|
| ISL68200 | Yes | No | Yes | Discrete MOSFETs or Dual Channel MOSFETs |
| ISL68201 | No | Yes | Yes | Renesas Power Stages: ISL99140 Renesas Drivers: ISL6596, ISL6609, ISL6627, ISL6622, ISL6208 |

Table of Contents

| | |
|--|-----------|
| Typical Applications Circuits | 3 |
| Block Diagram | 4 |
| Pin Configuration | 5 |
| Functional Pin Descriptions | 5 |
| Ordering Information | 6 |
| Absolute Maximum Ratings | 7 |
| Thermal Information | 7 |
| Recommended Operating Conditions | 7 |
| Electrical Specifications | 7 |
| Operation | 10 |
| IC Supplies | 10 |
| Enable and Disable | 10 |
| Resistor Reader (Patented) | 10 |
| Soft-Start | 12 |
| Boot-Up Voltage Programming | 12 |
| Current Sensing | 16 |
| Thermal Monitoring and Compensation | 17 |
| I _{OUT} Calibration | 19 |
| Fault Protection | 20 |
| PGOOD Monitor | 21 |
| Adaptive Shoot-Through Protection | 21 |
| PFM Mode Operation | 21 |
| SMBus, PMBus, and I ² C Operation | 21 |
| R4 Modulator | 26 |
| General Application Design Guide | 28 |
| Output Filter Design | 28 |
| Input Capacitor Selection | 28 |
| Design and Layout Considerations | 29 |
| Voltage Regulator Design Materials | 30 |
| Revision History | 31 |
| Package Outline Drawing | 32 |

Typical Applications Circuits

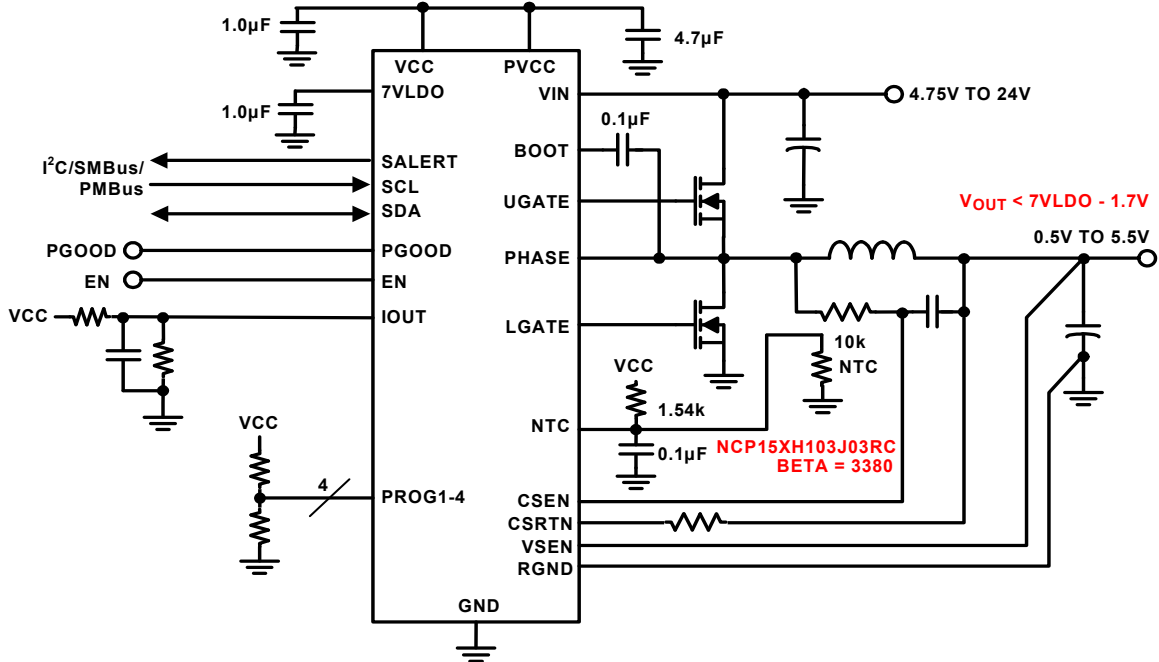


FIGURE 1. WIDE RANGE INPUT AND OUTPUT APPLICATIONS

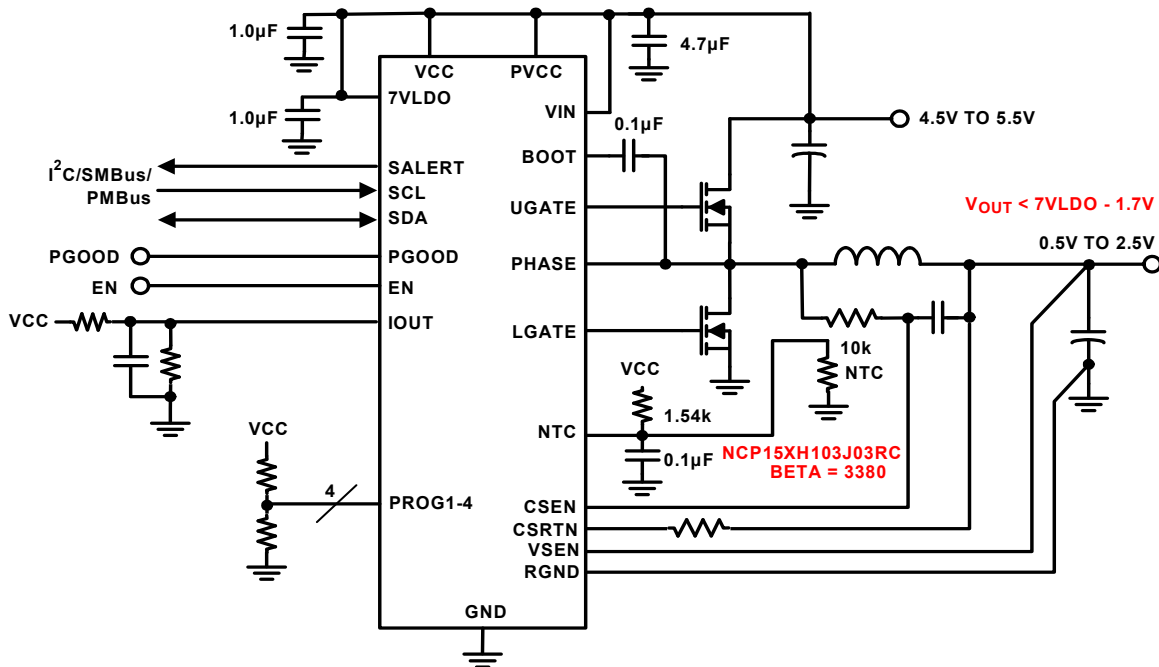


FIGURE 2. 5V INPUT APPLICATION

Block Diagram

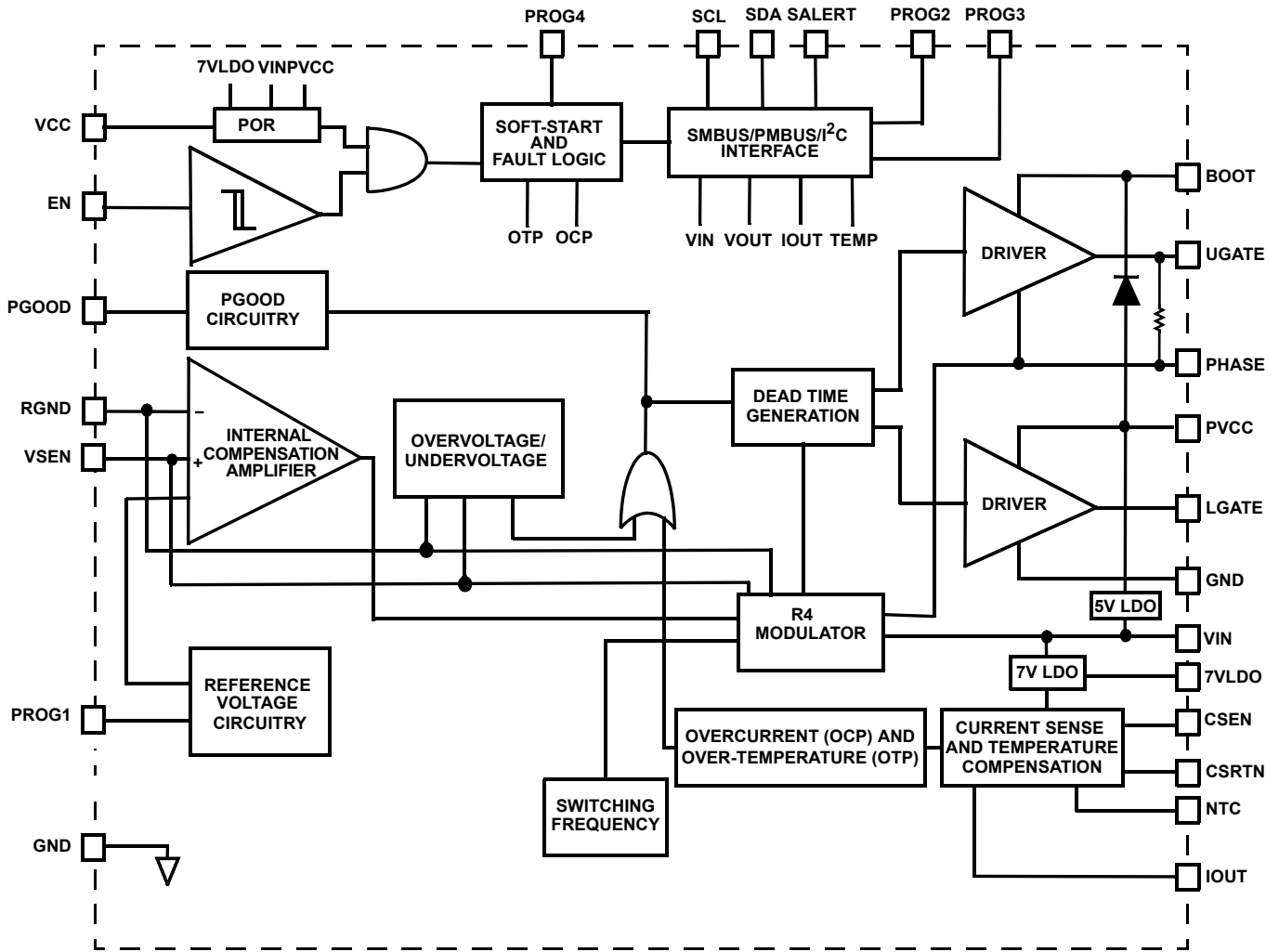
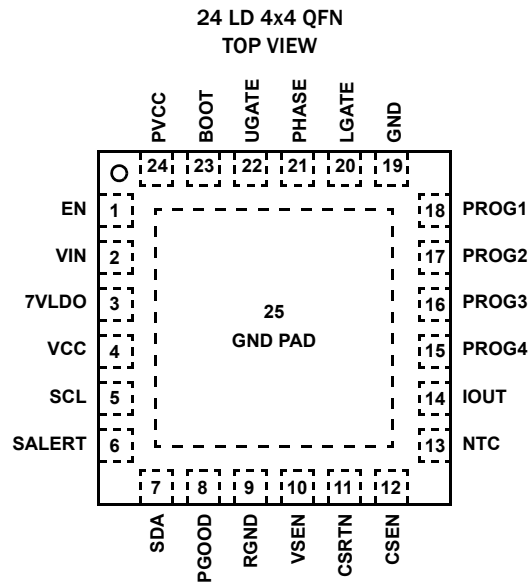


FIGURE 3. SIMPLIFIED FUNCTIONAL BLOCK DIAGRAM OF ISL68200

Pin Configuration



Functional Pin Descriptions

| PIN NUMBER | SYMBOL | DESCRIPTION |
|------------|--------|--|
| 1 | EN | Precision enable input. Pulling EN above the rising threshold voltage initiates the soft-start sequence, while pulling EN below the falling threshold voltage suspends the Voltage Regulator (VR) operation. |
| 2 | VIN | Input voltage pin for the R4 loop and LDOs (5V and 7V). Place a high quality low ESR ceramic capacitor (1.0 μ F, X7R) in close proximity to the pin. An external series resistor is not advised. |
| 3 | 7VLDO | The 7V LDO from VIN biases the current sensing amplifier. Place a high quality low ESR ceramic capacitor (1.0 μ F, X7R, 10V+) in close proximity to the pin. |
| 4 | VCC | Logic bias supply that should be connected to the PVCC rail externally. Place a high quality low ESR ceramic capacitor (1.0 μ F, X7R) from this pin to GND. |
| 5 | SCL | Synchronous SMBus/PMBus/I ² C clock signal input. |
| 6 | SALERT | Output pin for transferring the active low signal driven asynchronously from the VR controller to SMBus/PMBus. |
| 7 | SDA | I/O pin for transferring data signals between the SMBus/PMBus/I ² C host and VR controller. |
| 8 | PGOOD | Open-drain indicator output. |
| 9 | RGND | Monitors the negative rail of the regulator output. Connect to ground at the point of regulation. |
| 10 | VSEN | Monitors the positive rail of the regulator output. Connect to the point of regulation. |
| 11 | CSRTN | Uses a series resistor to monitor the negative flow of output current for overcurrent protection and telemetry. The series resistor sets the current gain and should be within 40 Ω and 3.5k Ω . |
| 12 | CSEN | Monitors the positive flow of output current for overcurrent protection and telemetry. |
| 13 | NTC | Input pin for temperature measurement. Connect this pin through an NTC thermistor (10k Ω , β ~ 3380) and a decoupling capacitor (~0.1 μ F) to GND and a resistor (1.54k Ω) to VCC of the controller. The voltage at this pin is inversely proportional to the VR temperature. |
| 14 | IOOUT | Output current monitor pin. An external resistor sets the gain and an external capacitor provides the averaging function; an external pull-up resistor to VCC is recommended to calibrate the no load offset. See “IOOUT Calibration” on page 19 . |
| 15 | PROG4 | Programming pin for Modulator (R4) RR impedance and output slew rate during Soft-Start (SS) and Dynamic VID (DVID). It also sets AV gain multiplier to 1x or 2x and determines the AV gain on PROG3. |
| 16 | PROG3 | Programming pin for ultrasonic PFM operation, fault behavior, switching frequency, and R4 (AV) control loop gain. |
| 17 | PROG2 | Programming pin for PWM/PFM mode, temperature compensation, and serial bus (SMBus/PMBus/I ² C) address. |

Functional Pin Descriptions (Continued)

| PIN NUMBER | SYMBOL | DESCRIPTION |
|------------|---------|---|
| 18 | PROG1 | Programming pin for boot-up voltage. |
| 19 | GND | Return current path for the LGATE MOSFET driver. Connect directly to the system ground plane. |
| 20 | LGATE | Low-side MOSFET gate driver output. Connect to the gate terminal of the low-side MOSFET of the converter. |
| 21 | PHASE | Return path for the UGATE high-side MOSFET driver, and zero inductor current detector input for diode emulation. |
| 22 | UGATE | High-side MOSFET gate driver output. Connect to the gate terminal of the high-side MOSFET of the converter. |
| 23 | BOOT | Positive input supply for the UGATE high-side MOSFET gate driver. Connect an MLCC (0.22 μ F, X7R) between the BOOT and PHASE pins. |
| 24 | PVCC | Output of the 5V LDO and input for the LGATE and UGATE MOSFET driver circuits. Place a high quality low ESR ceramic capacitor (4.7 μ F, X7R) in close proximity to the pin. |
| 25 | GND PAD | Return of logic bias supply VCC. Connect directly to the system ground plane with at least five vias. |

Ordering Information

| PART NUMBER <small>(Notes 2, 3)</small> | PART MARKING | TEMP RANGE (°C) | TAPE AND REEL (UNITS) <small>(Note 1)</small> | PACKAGE (RoHS Compliant) | PKG. DWG. # |
|--|---|--------------------|--|-----------------------------|----------------|
| ISL68200IRZ | ISL 68200I | -40 to +85 | - | 24 Ld 4x4 QFN | L24.4x4C |
| ISL68200IRZ-T | ISL 68200I | -40 to +85 | 6k | 24 Ld 4x4 QFN | L24.4x4C |
| ISL68200IRZ-T7A | ISL 68200I | -40 to +85 | 250 | 24 Ld 4x4 QFN | L24.4x4C |
| ISL68200IRZ-TK | ISL 68200I | -40 to +85 | 1k | 24 Ld 4x4 QFN | L24.4x4C |
| ISL68200DEMO1Z | 20A Demonstration Board with on-board transient | | | | |

NOTES:

1. Refer to [TB347](#) for details about reel specifications.
2. These Pb-free plastic packaged products employ special Pb-free material sets, molding compounds/die attach materials, and 100% matte tin plate plus anneal (e3 termination finish, which is RoHS compliant and compatible with both SnPb and Pb-free soldering operations). Pb-free products are MSL classified at Pb-free peak reflow temperatures that meet or exceed the Pb-free requirements of IPC/JEDEC J STD-020.
3. For Moisture Sensitivity Level (MSL), refer to the [ISL68200](#) product information page. For more information about MSL, refer to [TB363](#).

Absolute Maximum Ratings

| | |
|---|--|
| VCC, PVCC, VSEN | -0.3V to +7.0V |
| Input Voltage, VIN | +27V |
| 7VLD0 | -0.3V to GND, 7.75V |
| BOOT Voltage (VBOOT-GND) | -0.3V to 33V |
| BOOT to PHASE Voltage (VBOOT-PHASE) | -0.3V to 7V (DC) -0.3V to 9V (<10ns) |
| PHASE Voltage | (GND - 0.3V) to 28V (GND - 9V) (<20ns Pulse Width, 10μJ) |
| UGATE Voltage | (VPHASE - 0.3V) (DC) to VBOOT (VPHASE - 5V) (<20ns Pulse Width, 10μJ) to VBOOT |
| LGATE Voltage | (GND - 0.3V) (DC) to VCC + 0.3V (GND - 2.5V) (<20ns Pulse Width, 5μJ) to VCC + 0.3V |
| All Other Pins | -0.3V to GND, VCC + 0.3V |
| ESD Ratings | |
| Machine Model (Tested per JESD22-A115C) | 200V |
| Charged Device Model (Tested per JS-002-2014) | 1kV |
| Human Body Model (Tested per JS-001-2010) | 2.5kV |
| Latch-Up (Tested per JESD78D, Class 2, Level A) | ±100mA at +125°C |

Thermal Information

| | | |
|------------------------------|---------------------------|----------------------|
| Thermal Resistance (Typical) | θ_{JA} (°C/W) | θ_{JC} (°C/W) |
| 24 Ld QFN (Notes 4, 5) | 39 | 2.5 |
| Junction Temperature Range | -55°C to +150°C | |
| Storage Temperature | -65°C to +150°C | |
| Pb-Free Reflow Profile | see TB493 | |

Recommended Operating Conditions

| | |
|---|----------------|
| Ambient Temperature Range | -40°C to +85°C |
| Wide Range Input Voltage, VIN, Figure 1 | 4.75V to 24V |
| 5V Application Input Voltage, VIN, Figure 2 | 4.5V to 5.5V |

CAUTION: Do not operate at or near the maximum ratings listed for extended periods of time. Exposure to such conditions can adversely impact product reliability and result in failures not covered by warranty.

NOTES:

- θ_{JA} is measured in free air with the component mounted on a high-effective thermal conductivity test board with "direct attach" features. See [TB379](#).
- For θ_{JC} , the "case temp" location is the center of the exposed metal pad on the package underside.

Electrical Specifications All typical specifications $T_A = +25^\circ\text{C}$, $V_{CC} = 5\text{V}$. **Boldface limits apply across the operating temperature range, -40°C to +85°C, unless otherwise stated.**

| PARAMETER | SYMBOL | TEST CONDITIONS | MIN (Note 6) | TYP | MAX (Note 6) | UNIT |
|--|-------------|---|-----------------------------------|------|-----------------------------------|------|
| VCC AND PVCC | | | | | | |
| VCC Input Bias Current | I_{VCC} | EN = 5V, $V_{CC} = 5\text{V}$, $f_{SW} = 500\text{kHz}$, DAC = 1V | | 14 | 16.5 | mA |
| | | EN = 0V, $V_{CC} = 5\text{V}$ | | 14 | 16.5 | mA |
| PVCC Input Bias Current | I_{PVCC} | EN = 5V, $V_{CC} = 5\text{V}$, $f_{SW} = 500\text{kHz}$, DAC = 1V | | 2 | | mA |
| | | EN = 0V, $V_{CC} = 5\text{V}$ | | | 1.0 | mA |
| VCC AND VIN POR THRESHOLD | | | | | | |
| VCC, PVCC Rising POR Threshold Voltage | | | | 4.20 | 4.35 | V |
| VCC, PVCC Falling POR Threshold Voltage | | | 3.80 | 3.95 | 4.15 | V |
| VIN, 7VLD0 Rising POR Threshold Voltage | | | | 4.20 | 4.35 | V |
| VIN, 7VLD0 Falling POR Threshold Voltage | | | 3.80 | 3.95 | 4.15 | V |
| ENABLE INPUT | | | | | | |
| EN High Threshold Voltage | V_{ENTHR} | | 0.81 | 0.84 | 0.87 | V |
| EN Low Threshold Voltage | V_{ENTHF} | | 0.71 | 0.76 | 0.81 | V |
| DAC ACCURACY | | | | | | |
| DAC Accuracy ($T_A = 0^\circ\text{C}$ to $+85^\circ\text{C}$) | | 2.5V < DAC ≤ 5.5V | -0.5 | | 0.5 | % |
| | | 1.6V < DAC ≤ 2.5V | -0.75 | | 0.75 | % |
| | | 1.2V < DAC ≤ 1.6V | -10 | | 10 | mV |
| | | 0.5V ≤ DAC ≤ 1.2V | -8 | | 8 | mV |
| DAC Accuracy ($T_A = -45^\circ\text{C}$ to $+85^\circ\text{C}$) | | 2.5V < DAC ≤ 5.5V | -0.75 | | 0.75 | % |
| | | 1.6V < DAC ≤ 2.5V | -1.0 | | 1.0 | % |
| | | 1.2V < DAC ≤ 1.6V | -11 | | 11 | mV |
| | | 0.5V ≤ DAC ≤ 1.2V | -9 | | 9 | mV |

Electrical Specifications All typical specifications $T_A = +25^\circ\text{C}$, $V_{CC} = 5\text{V}$. **Boldface limits apply across the operating temperature range, -40°C to $+85^\circ\text{C}$, unless otherwise stated. (Continued)**

| PARAMETER | SYMBOL | TEST CONDITIONS | MIN (Note 6) | TYP | MAX (Note 6) | UNIT |
|------------------------------------|----------------|---|-----------------|-------|-----------------|-------------------|
| CHANNEL FREQUENCY | | | | | | |
| 300kHz Configuration | | PWM mode | 260 | 300 | 335 | kHz |
| 400kHz Configuration | | PWM mode | 345 | 400 | 450 | kHz |
| 500kHz Configuration | | PWM mode | 435 | 500 | 562 | kHz |
| 600kHz Configuration | | PWM mode | 510 | 600 | 670 | kHz |
| 700kHz Configuration | | PWM mode | 610 | 700 | 790 | kHz |
| 850kHz Configuration | | PWM mode | 730 | 850 | 950 | kHz |
| 1000kHz Configuration | | PWM mode | 865 | 1000 | 1120 | kHz |
| 1500kHz Configuration | | PWM mode | 1320 | 1500 | 1660 | kHz |
| SOFT-START AND DYNAMIC VID | | | | | | |
| Soft-Start and DVID Slew Rate | | | 0.0616 | 0.078 | 0.096 | mV/ μs |
| | | | 0.13 | 0.157 | 0.18 | mV/ μs |
| | | | 0.25 | 0.315 | 0.37 | mV/ μs |
| | | | 0.53 | 0.625 | 0.70 | mV/ μs |
| | | | 1.05 | 1.25 | 1.40 | mV/ μs |
| | | | 2.10 | 2.50 | 2.80 | mV/ μs |
| | | | 4.20 | 5.00 | 5.60 | mV/ μs |
| | | | 8.60 | 10.0 | 10.9 | mV/ μs |
| Soft-Start Delay from Enable High | | Excluding 5.5ms POR timeout, see Figures 22 and 23 on page 22 | 140 | 200 | 260 | μs |
| REMOTE SENSE | | | | | | |
| Bias Current of VSEN and RGND Pins | | | | | 250 | μA |
| Maximum Differential Input Voltage | | | 6.0 | | | V |
| POWER-GOOD | | | | | | |
| PGOOD Pull-Down Impedance | R_{PG} | PGOOD = 5mA sink | | 10 | 50 | Ω |
| PGOOD Leakage Current | I_{PG} | PGOOD = 5V | | | 1.0 | μA |
| LDOS | | | | | | |
| 5V LDO Regulation | | $V_{IN} = 12\text{V}$, load = 50mA | 4.85 | 5.00 | 5.15 | V |
| 5V LDO Regulation | | $V_{IN} = 4.75\text{V}$, load = 50mA | 4.45 | | | V |
| 5V LDO Current Capability | | | 125 | | | mA |
| 7V LDO Regulation | | 250 μA load | 7.2 | 7.4 | 7.5 | V |
| 7V Dropout | | $V_{IN} = 4.75\text{V}$, 250 μA load | 4.50 | | | V |
| 7V LDO Current Capability | | Not recommended for external use | 2 | | | mA |
| CURRENT SENSE | | | | | | |
| Average OCP Trip Level | I_{OC_TRIP} | | 82 | 100 | 123 | μA |
| Short-Circuit Protection Threshold | | | | 130 | | % I_{OCP} |
| Sensed Current Tolerance | | | 74 | 78 | 83 | μA |
| Sensed Current Tolerance | | | 35 | 38 | 42 | μA |
| Maximum Common-Mode Input Voltage | | 7VLDO = 7.4V | 5.7 | | | V |
| | | $V_{CC} = PV_{CC} = 7VLDO = 4.5\text{V}$ | 2.8 | | | V |

Electrical Specifications All typical specifications $T_A = +25^\circ\text{C}$, $V_{CC} = 5\text{V}$. **Boldface limits apply across the operating temperature range, -40°C to $+85^\circ\text{C}$, unless otherwise stated. (Continued)**

| PARAMETER | SYMBOL | TEST CONDITIONS | MIN (Note 6) | TYP | MAX (Note 6) | UNIT |
|--|---------------------|--|-----------------|-------|-----------------|---------------|
| FAULT PROTECTION | | | | | | |
| UVP Threshold Voltage | | Latch | 68 | 74 | 80 | % DAC |
| Start-Up OVP Threshold Voltage | | $0\text{V} \leq V_{\text{BOOT}} \leq 1.08\text{V}$ | 1.10 | 1.15 | 1.25 | V |
| | | $1.08\text{V} < V_{\text{BOOT}} \leq 1.55\text{V}$ | 1.58 | 1.65 | 1.75 | V |
| | | $1.55\text{V} < V_{\text{BOOT}} \leq 1.85\text{V}$ | 1.88 | 1.95 | 2.05 | V |
| | | $1.85\text{V} < V_{\text{BOOT}} \leq 2.08\text{V}$ | 2.09 | 2.15 | 2.25 | V |
| | | $2.08\text{V} < V_{\text{BOOT}} \leq 2.53\text{V}$ | 2.56 | 2.65 | 2.75 | V |
| | | $2.53\text{V} < V_{\text{BOOT}} \leq 3.33\text{V}$ | 3.36 | 3.45 | 3.6 | V |
| | | $3.33\text{V} < V_{\text{BOOT}} \leq 5.5\text{V}$ | 5.52 | 5.65 | 5.85 | V |
| Start-Up OVP Hysteresis | | | | 100 | | mV |
| OVP Rising Threshold Voltage | V_{OVRTH} | $0.5 \leq \text{DAC} \leq 5.5$ | 114 | 120 | 127 | % DAC |
| OVP Falling Threshold Voltage | V_{OVFTH} | $0.5 \leq \text{DAC} \leq 5.5$ | 96 | 100 | 108 | % DAC |
| Over-Temperature Shutdown Threshold | | READ_TEMP = 72h | 20 | 22.31 | 26 | % VCC |
| Over-Temperature Shutdown Reset Threshold | | READ_TEMP = 8Eh | 25 | 27.79 | 30 | % VCC |
| SMBus/PMBus/I²C | | | | | | |
| Signal Input Low Voltage | | | | | 1 | V |
| Signal Input High Voltage | | | 1.6 | | | V |
| Signal Output Low Voltage | | 4mA pull-up current | | | 0.4 | V |
| DATE, ALERT # Pull-Down Impedance | | | | 11 | 50 | Ω |
| CLOCK Maximum Speed | | | 1.25 | | | MHz |
| CLOCK Minimum Speed | | | | | 0.05 | MHz |
| Telemetry Update Rate | | | | 108 | | μs |
| Timeout | | | 25 | 30 | 35 | ms |
| PMBus Accessible Timeout from All Rails' POR | | See Figure 22 on page 22 | | 5.5 | 6.5 | ms |
| GATE DRIVER | | | | | | |
| UGATE Pull-Up Resistance | R_{UGPU} | 200mA source current | | 1.0 | | Ω |
| UGATE Source Current | I_{UGSRC} | UGATE - PHASE = 2.5V | | 2.0 | | A |
| UGATE Sink Resistance | R_{UGPD} | 250mA sink current | | 1.0 | | Ω |
| UGATE Sink Current | I_{UGSNK} | UGATE - PHASE = 2.5V | | 2.0 | | A |
| LGATE Pull-Up Resistance | R_{LGPU} | 250mA source current | | 1.0 | | Ω |
| LGATE Source Current | I_{LGSRC} | LGATE - GND = 2.5V | | 2.0 | | A |
| LGATE Sink Resistance | R_{LGPD} | 250mA sink current | | 0.5 | | Ω |
| LGATE Sink Current | I_{LGSNK} | LGATE - GND = 2.5V | | 4.0 | | A |
| UGATE to LGATE Dead Time | t_{UGFLGR} | UGATE falling to LGATE rising, no load | | 10 | | ns |
| LGATE to UGATE Dead Time | t_{LGFUGR} | LGATE falling to UGATE rising, no load | | 18 | | ns |
| BOOTSTRAP DIODE | | | | | | |
| ON-Resistance | R_{F} | | | 16 | 30 | Ω |

NOTE:

6. Compliance to datasheet limits is assured by one or more methods: production test, characterization, and/or design.

Operation

The following sections provide a detailed description of the ISL68200 operation.

IC Supplies

The ISL68200 has four bias pins: VIN, 7VLDO, PVCC, and VCC. The PVCC and 7VLDO voltage rails are 5V LDO and 7.4V LDO supplied by VIN, respectively, while the VCC pin needs to connect to the PVCC rail externally to be biased. For 5V input applications, all these pins should be tied together and biased by a 5V supply. Because the VIN pin voltage information is used by the R4 Modulator loop, the user cannot bias VIN with a series resistor. In addition, the VIN pin cannot be biased independently from other rails.

Enable and Disable

The IC is disabled until the 7VLDO, PVCC, VCC, VIN, and EN pins increase above their respective rising threshold voltages and the typical 5.5ms timeout (worst case = 6.5ms) expires, as shown in [Figures 22 and 23 on page 22](#). The controller is disabled when the 7VLDO, PVCC, VCC, VIN, or EN pins drop below their respective falling POR threshold voltages.

The precision threshold EN pin allows the user to set a precision input UVLO level with an external resistor divider, as shown in [Figure 4](#). For 5V input applications or wide range input applications, the EN pin can directly connect to VCC, as shown in [Figure 5](#). If an external enable control signal is available and is an open-drain signal, a pull-up impedance (100k or higher) can be used.

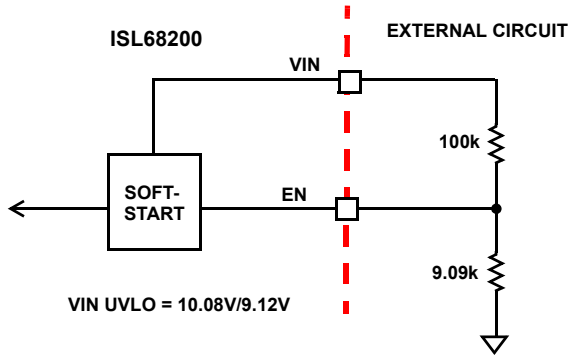
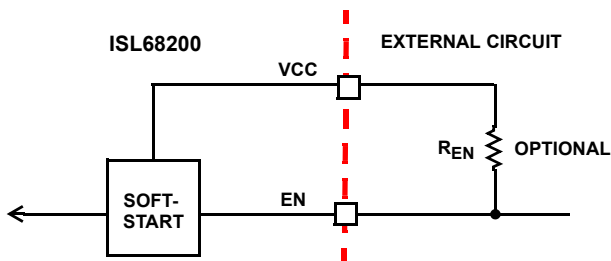


FIGURE 4. INPUT UVP CONFIGURATION



REN is needed only when the user wants to control the IC with an external enable signal

FIGURE 5. 5V INPUT OR WIDE RANGE INPUT CONFIGURATION

In addition, based on the ON_OFF_CONFIG [02h] setting, the IC can be enabled or disabled by the serial bus command “OPERATION [01h]” and/or the EN pin. See [Table 11 on page 25](#) for more details.

Resistor Reader (Patented)

The ISL68200 offers four programming pins to customize the regulator specifications. The details of these pins are summarized in [Table 2](#), followed by the detailed description of resistor reader operation.

TABLE 2. DEFINITION OF PROG PINS

| PIN | BIT | NAME | DESCRIPTION |
|-------|-------|--------------------------|---|
| PROG1 | [7:0] | BOOT-UP VOLTAGE | Set output boot-up voltage, 256 different options: 0, 0.5V to 5.5V (see Table 7) |
| PROG2 | [7:7] | PWM/PFM | Enables PFM mode or forced PWM |
| | [6:5] | Temperature Compensation | Adjust NTC temperature compensation: OFF, +5°C, +15°C, +30°C. |
| | [4:0] | ADDR | Set serial bus to 32 different addresses (see Table 10). |
| PROG3 | [7:7] | uSPFM | Ultrasonic (25kHz clamp) PFM enable |
| | [6:6] | Fault Behavior | OCF fault behavior: Latch, infinite 9ms retry |
| | [5:3] | FSW | Set switching frequency (f_{SW}) |
| | [2:0] | R4 Gain | Set error amplifier gain (AV) |
| PROG4 | [7:5] | RAMP_RATE | Set soft-start and DVID ramp rate |
| | [4:3] | RR | Select RR impedance for R4 loop |
| | [2:2] | AVMLTI | Select AV gain multiplier (1x or 2x) |
| | [1:0] | Not Used | |

Renesas has developed a high resolution ADC using a patented technique with a simple 1%, 100ppm/K or better temperature coefficient resistor divider. The same type of resistors are preferred so that it has similar change over-temperature. In addition, the divider is compared to the internal divider off VCC and GND nodes and therefore must refer to the VCC and GND pins, not through any RC decoupling network.

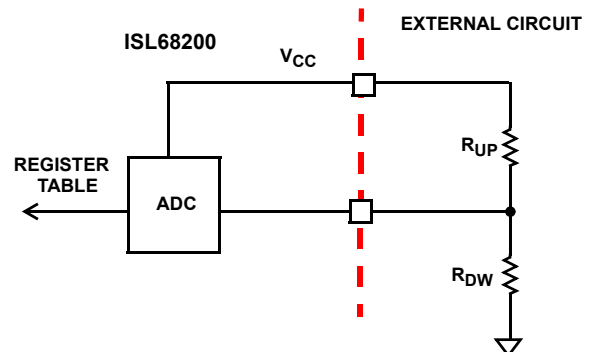


FIGURE 6. SIMPLIFIED RESISTOR DIVIDER ADC

The R_{UP} and R_{DW} values for a particular parameter set can be found using PowerNavigator. Data for corresponding registers can be read out using the serial PMBus command (DC to DF).
Note: The case of 10k Ω R_{UP} or R_{DW} is the same as 0k Ω R_{UP} or R_{DW} .

TABLE 3. PROG 1 RESISTOR READER EXAMPLE

| PROG1 (DC) | R_{UP} (k Ω) | R_{DW} (k Ω) | VOUT (V) |
|------------|------------------------|------------------------|----------|
| 00h | Open | 0 | 0.797 |
| 20h | Open | 20 | 0.852 |
| 40h | Open | 34.8 | 0.898 |
| 60h | Open | 52.3 | 0.953 |
| 80h | Open | 75 | 1.000 |
| A0h | Open | 105 | 1.047 |
| C0h | Open | 147 | 1.102 |
| E0h | Open | 499 | 1.203 |
| 1Fh | 0 | Open | 1.352 |
| 3Fh | 21.5 | Open | 1.500 |
| 5Fh | 34.8 | Open | 1.797 |
| 7Fh | 52.3 | Open | 2.500 |
| 9Fh | 75 | Open | 3.000 |
| BFh | 105 | Open | 3.297 |
| DFh | 147 | Open | 5.000 |
| FFh | 499 | Open | 0.000 |

TABLE 4. PROG 2 RESISTOR READER EXAMPLE

| PROG2 (DD) | R_{UP} (k Ω) | R_{DW} (k Ω) | PWM/PFM | TEMP COMP | PM_ADDR (7-BIT) |
|------------|------------------------|------------------------|----------|-----------|-----------------|
| 00h | Open | 0 | Enabled | 30 | 60h |
| 20h | Open | 20 | Enabled | 15 | 60h |
| 40h | Open | 34.8 | Enabled | 5 | 60h |
| 60h | Open | 52.3 | Enabled | OFF | 60h |
| 80h | Open | 75 | Disabled | 30 | 60h |
| A0h | Open | 105 | Disabled | 15 | 60h |
| C0h | Open | 147 | Disabled | 5 | 60h |
| E0h | Open | 499 | Disabled | OFF | 60h |
| 1Fh | 0 | Open | Enabled | 30 | 7F |
| 3Fh | 20 | Open | Enabled | 15 | 7F |
| 5Fh | 34.8 | Open | Enabled | 5 | 7F |
| 7Fh | 52.3 | Open | Enabled | OFF | 7F |
| 9Fh | 75 | Open | Disabled | 30 | 7F |
| BFh | 105 | Open | Disabled | 15 | 7F |
| DFh | 147 | Open | Disabled | 5 | 7F |
| FFh | 499 | Open | Disabled | OFF | 7F |

TABLE 5. PROG 3 RESISTOR READER EXAMPLE

| PROG3 (DE) | R_{UP} (k Ω) | R_{DW} (k Ω) | ULTRASONIC PFM | FAULT BEHAVIOR | f_{SW} (kHz) | R4 GAIN | |
|------------|------------------------|------------------------|----------------|----------------|----------------|---------|----|
| | | | | | | 1x | 2x |
| 00h | Open | 0 | Disabled | Retry | 300 | 42 | 84 |
| 20h | Open | 21.5 | Disabled | Retry | 700 | 42 | 84 |
| 40h | Open | 34.8 | Disabled | Latch | 300 | 42 | 84 |
| 60h | Open | 52.3 | Disabled | Latch | 700 | 42 | 84 |
| 80h | Open | 75 | Enabled | Retry | 300 | 42 | 84 |
| A0h | Open | 105 | Enabled | Retry | 700 | 42 | 84 |
| C0h | Open | 147 | Enabled | Latch | 300 | 42 | 84 |
| E0h | Open | 499 | Enabled | Latch | 700 | 42 | 84 |
| 1Fh | 0 | Open | Disabled | Retry | 600 | 1 | 2 |
| 3Fh | 21.5 | Open | Disabled | Retry | 1500 | 1 | 2 |
| 5Fh | 34.8 | Open | Disabled | Latch | 600 | 1 | 2 |
| 7Fh | 52.3 | Open | Disabled | Latch | 1500 | 1 | 2 |
| 9Fh | 75 | Open | Enabled | Retry | 600 | 1 | 2 |
| BFh | 105 | Open | Enabled | Retry | 1500 | 1 | 2 |
| DFh | 147 | Open | Enabled | Latch | 600 | 1 | 2 |
| FFh | 499 | Open | Enabled | Latch | 1500 | 1 | 2 |

TABLE 6. PROG 4 RESISTOR READER EXAMPLE

| PROG4 (DF) | R_{UP} (k Ω) | R_{DW} (k Ω) | SS RATE (mV/ μ s) | RR (k Ω) | AVMLTI |
|------------|------------------------|------------------------|-----------------------|------------------|--------|
| 00h | Open | 0 | 1.25 | 200 | 1 |
| 20h | Open | 20 | 2.5 | 200 | 1 |
| 40h | Open | 34.8 | 5 | 200 | 1 |
| 60h | Open | 52.3 | 10 | 200 | 1 |
| 80h | Open | 75 | 0.078 | 200 | 1 |
| A0h | Open | 105 | 0.157 | 200 | 1 |
| C0h | Open | 147 | 0.315 | 200 | 1 |
| E0h | Open | 499 | 0.625 | 200 | 1 |
| 1Fh | 0 | Open | 1.25 | 800 | 2 |
| 3Fh | 20 | Open | 2.5 | 800 | 2 |
| 5Fh | 34.8 | Open | 5 | 800 | 2 |
| 7Fh | 52.3 | Open | 10 | 800 | 2 |
| 9Fh | 75 | Open | 0.078 | 800 | 2 |
| BFh | 105 | Open | 0.157 | 800 | 2 |
| DFh | 147 | Open | 0.315 | 800 | 2 |
| FFh | 499 | Open | 0.625 | 800 | 2 |

Soft-Start

The ISL68200-based regulator has four periods during soft-start, as shown in [Figure 7](#). After a 5.5ms timeout (worst case = 6.5ms) of bias supplies, as shown in [Figures 22](#) and [23](#) on [page 22](#), when the EN pin reaches above its enable threshold, the controller begins the first soft-start ramp after a fixed soft-start delay period of t_{D1} . The output voltage reaches the boot-up voltage (V_{BOOT}) at a fixed slew rate in period t_{D2} . The controller then regulates the output voltage at V_{BOOT} for another period t_{D3} until the SMBus/PMBus/I²C sends a new V_{OUT} command. If the V_{OUT} command is valid, the ISL68200 initiates the ramp until the voltage reaches the new V_{OUT} command voltage in period t_{D4} . The soft-start time is the sum of the four periods, as shown in [Equation 1](#).

$$t_{SS} = t_{D1} + t_{D2} + t_{D3} + t_{D4} \quad (\text{EQ. 1})$$

t_{D1} is a fixed delay with a typical value of 200 μ s. t_{D3} is determined by the time to obtain a new valid V_{OUT} command voltage from the SMBus/PMBus/I²C bus. If the V_{OUT} command is valid before the output reaches the boot-up voltage, the output turns around to respond to the new V_{OUT} command code.

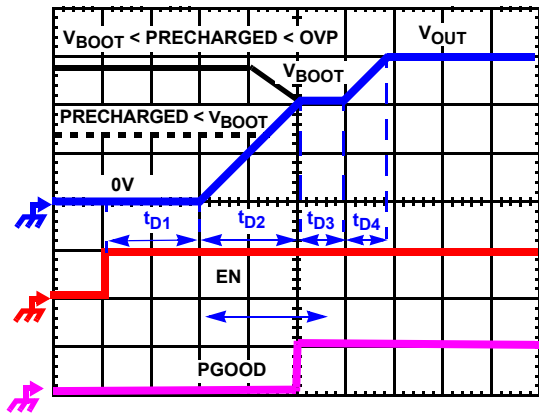


FIGURE 7. SOFT-START WAVEFORMS

During t_{D2} and t_{D4} , the ISL68200 digitally controls the DAC voltage change. The ramp time t_{D2} and t_{D4} can be calculated based on [Equations 2](#) and [3](#), when the slew rate is set by the PROG4 pin.

$$t_{D2} = \frac{V_{BOOT}}{\text{RAMP_RATE}} (\mu\text{s}) \quad (\text{EQ. 2})$$

$$t_{D4} = \frac{V_{OUT} - V_{BOOT}}{\text{RAMP_RATE}} (\mu\text{s}) \quad (\text{EQ. 3})$$

The ISL68200 supports precharged start-up. It initiates the first PWM pulse until the internal reference (DAC) reaches the pre-charged level at RAMP_RATE, programmed by PROG4 or D5[2:0]. When the precharged level is below V_{BOOT} , the output walks up to the V_{BOOT} at RAMP_RATE and releases PGGOOD at $t_{D1} + t_{D2}$. When the precharged output is above V_{BOOT} but below OVP, it walks down to V_{BOOT} at RAMP_RATE and then releases PGGOOD at $t_{D1} + t_{D2}$, in which t_{D2} is defined in [Equation 4](#) and is longer than a normal start-up.

$$t_{D2} = \frac{V_{PRECHARGED}}{\text{RAMP_RATE}} + \frac{V_{PRECHARGED} - V_{BOOT}}{\text{RAMP_RATE}} (\mu\text{s}) \quad (\text{EQ. 4})$$

The ISL68200 supports precharged load start-up up to the maximum V_{OUT} of 5.5V with sufficient boot capacitor charge. For an extended precharged load, the boot capacitor is discharged to “ $V_{CC} - V_{OUT} - V_D$ ” by the high-side drive circuits’ standby current. For instance, in an extended 4V precharged load, the boot capacitor reduces to a less than 1V boot capacitor voltage, which is insufficient to power-up the VR. In this case, Renesas recommends letting the output drop below 2.5V with an external bleed resistor before issuing another soft-start command.

Boot-Up Voltage Programming

An 8-bit pin (PROG1) is dedicated for the boot-up voltage programmability, which offers 256 options (0V and 0.5V to 5.5V), as shown in [Table 7](#). The most popular boot-up voltage levels are placed on the tie-low spots (0h, 20h, 40h, 60h, 80h, A0h, C0h, E0h) and the tie-high spots (1Fh, 3Fh, 5Fh, 7Fh, 9Fh, BFh, DFh, FFh) for easy programming, as summarized in [Table 3](#). The 0V boot-up voltage is considered OFF; the driver is in tri-state and the internal DAC is set to 0V.

In addition, if the VOUT_COMMAND (21h) is executed successfully 5.5ms (typically, worst 6.5ms) after VCC POR and before Enable, it overrides the boot-up voltage set by the PROG1 pin.

TABLE 7. PROG1 8-BIT (BOOT-UP VOLTAGE)

| BINARY CODE | HEX CODE | V _{BOOT} (V) | VOUT COMMAND CODE (HEX) | DELTA FROM PREVIOUS CODE (mV) |
|-------------|----------|-----------------------|-------------------------|-------------------------------|
| 00000000 | 0 | 0.7969 | 66 | |
| 00000001 | 1 | 0.5000 | 40 | |
| 00000010 | 2 | 0.5078 | 41 | 7.8125 |
| 00000011 | 3 | 0.5156 | 42 | 7.8125 |
| 00000100 | 4 | 0.5234 | 43 | 7.8125 |
| 00000101 | 5 | 0.5313 | 44 | 7.8125 |
| 00000110 | 6 | 0.5391 | 45 | 7.8125 |
| 00000111 | 7 | 0.5469 | 46 | 7.8125 |
| 00001000 | 8 | 0.5547 | 47 | 7.8125 |
| 00001001 | 9 | 0.5625 | 48 | 7.8125 |
| 00001010 | A | 0.5703 | 49 | 7.8125 |
| 00001011 | B | 0.5781 | 4A | 7.8125 |
| 00001100 | C | 0.5859 | 4B | 7.8125 |
| 00001101 | D | 0.5938 | 4C | 7.8125 |
| 00001110 | E | 0.6016 | 4D | 7.8125 |
| 00001111 | F | 0.6094 | 4E | 7.8125 |
| 00010000 | 10 | 0.6172 | 4F | 7.8125 |
| 00010001 | 11 | 0.6250 | 50 | 7.8125 |
| 00010010 | 12 | 0.6328 | 51 | 7.8125 |
| 00010011 | 13 | 0.6406 | 52 | 7.8125 |
| 00010100 | 14 | 0.6484 | 53 | 7.8125 |
| 00010101 | 15 | 0.6563 | 54 | 7.8125 |

TABLE 7. PROG1 8-BIT (BOOT-UP VOLTAGE) (Continued)

| BINARY CODE | HEX CODE | V _{BOOT} (V) | VOUT COMMAND CODE (HEX) | DELTA FROM PREVIOUS CODE (mV) |
|-------------|----------|-----------------------|-------------------------|-------------------------------|
| 00010110 | 16 | 0.6641 | 55 | 7.8125 |
| 00010111 | 17 | 0.6719 | 56 | 7.8125 |
| 00011000 | 18 | 0.6797 | 57 | 7.8125 |
| 00011001 | 19 | 0.6875 | 58 | 7.8125 |
| 00011010 | 1A | 0.6953 | 59 | 7.8125 |
| 00011011 | 1B | 0.7031 | 5A | 7.8125 |
| 00011100 | 1C | 0.7109 | 5B | 7.8125 |
| 00011101 | 1D | 0.7188 | 5C | 7.8125 |
| 00011110 | 1E | 0.7266 | 5D | 7.8125 |
| 00011111 | 1F | 1.3516 | AD | |
| 00100000 | 20 | 0.8516 | 6D | |
| 00100001 | 21 | 0.7344 | 5E | 7.8125 |
| 00100010 | 22 | 0.7422 | 5F | 7.8125 |
| 00100011 | 23 | 0.7500 | 60 | 7.8125 |
| 00100100 | 24 | 0.7578 | 61 | 7.8125 |
| 00100101 | 25 | 0.7656 | 62 | 7.8125 |
| 00100110 | 26 | 0.7734 | 63 | 7.8125 |
| 00100111 | 27 | 0.7813 | 64 | 7.8125 |
| 00101000 | 28 | 0.7891 | 65 | 7.8125 |
| 00101001 | 29 | 0.7969 | 66 | 7.8125 |
| 00101010 | 2A | 0.8047 | 67 | 7.8125 |
| 00101011 | 2B | 0.8125 | 68 | 7.8125 |
| 00101100 | 2C | 0.8203 | 69 | 7.8125 |
| 00101101 | 2D | 0.8281 | 6A | 7.8125 |
| 00101110 | 2E | 0.8359 | 6B | 7.8125 |
| 00101111 | 2F | 0.8438 | 6C | 7.8125 |
| 00110000 | 30 | 0.8516 | 6D | 7.8125 |
| 00110001 | 31 | 0.8594 | 6E | 7.8125 |
| 00110010 | 32 | 0.8672 | 6F | 7.8125 |
| 00110011 | 33 | 0.8750 | 70 | 7.8125 |
| 00110100 | 34 | 0.8828 | 71 | 7.8125 |
| 00110101 | 35 | 0.8906 | 72 | 7.8125 |
| 00110110 | 36 | 0.8984 | 73 | 7.8125 |
| 00110111 | 37 | 0.9063 | 74 | 7.8125 |
| 00111000 | 38 | 0.9141 | 75 | 7.8125 |
| 00111001 | 39 | 0.9219 | 76 | 7.8125 |
| 00111010 | 3A | 0.9297 | 77 | 7.8125 |
| 00111011 | 3B | 0.9375 | 78 | 7.8125 |
| 00111100 | 3C | 0.9453 | 79 | 7.8125 |

TABLE 7. PROG1 8-BIT (BOOT-UP VOLTAGE) (Continued)

| BINARY CODE | HEX CODE | V _{BOOT} (V) | VOUT COMMAND CODE (HEX) | DELTA FROM PREVIOUS CODE (mV) |
|-------------|----------|-----------------------|-------------------------|-------------------------------|
| 00111101 | 3D | 0.9531 | 7A | 7.8125 |
| 00111110 | 3E | 0.9609 | 7B | 7.8125 |
| 00111111 | 3F | 1.5000 | C0 | |
| 01000000 | 40 | 0.8984 | 73 | |
| 01000001 | 41 | 0.9688 | 7C | 7.8125 |
| 01000010 | 42 | 0.9766 | 7D | 7.8125 |
| 01000011 | 43 | 0.9844 | 7E | 7.8125 |
| 01000100 | 44 | 0.9922 | 7F | 7.8125 |
| 01000101 | 45 | 1.0000 | 80 | 7.8125 |
| 01000110 | 46 | 1.0078 | 81 | 7.8125 |
| 01000111 | 47 | 1.0156 | 82 | 7.8125 |
| 01001000 | 48 | 1.0234 | 83 | 7.8125 |
| 01001001 | 49 | 1.0313 | 84 | 7.8125 |
| 01001010 | 4A | 1.0391 | 85 | 7.8125 |
| 01001011 | 4B | 1.0469 | 86 | 7.8125 |
| 01001100 | 4C | 1.0547 | 87 | 7.8125 |
| 01001101 | 4D | 1.0625 | 88 | 7.8125 |
| 01001110 | 4E | 1.0703 | 89 | 7.8125 |
| 01001111 | 4F | 1.0781 | 8A | 7.8125 |
| 01010000 | 50 | 1.0859 | 8B | 7.8125 |
| 01010001 | 51 | 1.0938 | 8C | 7.8125 |
| 01010010 | 52 | 1.1016 | 8D | 7.8125 |
| 01010011 | 53 | 1.1094 | 8E | 7.8125 |
| 01010100 | 54 | 1.1172 | 8F | 7.8125 |
| 01010101 | 55 | 1.1250 | 90 | 7.8125 |
| 01010110 | 56 | 1.1328 | 91 | 7.8125 |
| 01010111 | 57 | 1.1406 | 92 | 7.8125 |
| 01011000 | 58 | 1.1484 | 93 | 7.8125 |
| 01011001 | 59 | 1.1563 | 94 | 7.8125 |
| 01011010 | 5A | 1.1641 | 95 | 7.8125 |
| 01011011 | 5B | 1.1719 | 96 | 7.8125 |
| 01011100 | 5C | 1.1797 | 97 | 7.8125 |
| 01011101 | 5D | 1.1875 | 98 | 7.8125 |
| 01011110 | 5E | 1.1953 | 99 | 7.8125 |
| 01011111 | 5F | 1.7969 | E6 | |
| 01100000 | 60 | 0.9531 | 7A | |
| 01100001 | 61 | 1.2031 | 9A | 7.8125 |
| 01100010 | 62 | 1.2109 | 9B | 7.8125 |
| 01100011 | 63 | 1.2188 | 9C | 7.8125 |

TABLE 7. PROG1 8-BIT (BOOT-UP VOLTAGE) (Continued)

| BINARY CODE | HEX CODE | V _{BOOT} (V) | VOUT COMMAND CODE (HEX) | DELTA FROM PREVIOUS CODE (mV) |
|-------------|----------|-----------------------|-------------------------|-------------------------------|
| 01100100 | 64 | 1.2266 | 9D | 7.8125 |
| 01100101 | 65 | 1.2344 | 9E | 7.8125 |
| 01100110 | 66 | 1.2422 | 9F | 7.8125 |
| 01100111 | 67 | 1.2500 | A0 | 7.8125 |
| 01101000 | 68 | 1.2578 | A1 | 7.8125 |
| 01101001 | 69 | 1.2656 | A2 | 7.8125 |
| 01101010 | 6A | 1.2734 | A3 | 7.8125 |
| 01101011 | 6B | 1.2813 | A4 | 7.8125 |
| 01101100 | 6C | 1.2891 | A5 | 7.8125 |
| 01101101 | 6D | 1.2969 | A6 | 7.8125 |
| 01101110 | 6E | 1.3047 | A7 | 7.8125 |
| 01101111 | 6F | 1.3125 | A8 | 7.8125 |
| 01110000 | 70 | 1.3203 | A9 | 7.8125 |
| 01110001 | 71 | 1.3281 | AA | 7.8125 |
| 01110010 | 72 | 1.3359 | AB | 7.8125 |
| 01110011 | 73 | 1.3438 | AC | 7.8125 |
| 01110100 | 74 | 1.3516 | AD | 7.8125 |
| 01110101 | 75 | 1.3594 | AE | 7.8125 |
| 01110110 | 76 | 1.3672 | AF | 7.8125 |
| 01110111 | 77 | 1.3750 | B0 | 7.8125 |
| 01111000 | 78 | 1.3828 | B1 | 7.8125 |
| 01111001 | 79 | 1.3906 | B2 | 7.8125 |
| 01111010 | 7A | 1.3984 | B3 | 7.8125 |
| 01111011 | 7B | 1.4063 | B4 | 7.8125 |
| 01111100 | 7C | 1.4141 | B5 | 7.8125 |
| 01111101 | 7D | 1.4219 | B6 | 7.8125 |
| 01111110 | 7E | 1.4297 | B7 | 7.8125 |
| 01111111 | 7F | 2.5000 | 140 | |
| 10000000 | 80 | 1.0000 | 80 | |
| 10000001 | 81 | 1.4375 | B8 | 7.8125 |
| 10000010 | 82 | 1.4453 | B9 | 7.8125 |
| 10000011 | 83 | 1.4531 | BA | 7.8125 |
| 10000100 | 84 | 1.4609 | BB | 7.8125 |
| 10000101 | 85 | 1.4688 | BC | 7.8125 |
| 10000110 | 86 | 1.4766 | BD | 7.8125 |
| 10000111 | 87 | 1.4844 | BE | 7.8125 |
| 10001000 | 88 | 1.4922 | BF | 7.8125 |
| 10001001 | 89 | 1.5000 | C0 | 7.8125 |
| 10001010 | 8A | 1.5078 | C1 | 7.8125 |

TABLE 7. PROG1 8-BIT (BOOT-UP VOLTAGE) (Continued)

| BINARY CODE | HEX CODE | V _{BOOT} (V) | VOUT COMMAND CODE (HEX) | DELTA FROM PREVIOUS CODE (mV) |
|-------------|----------|-----------------------|-------------------------|-------------------------------|
| 10001011 | 8B | 1.5156 | C2 | 7.8125 |
| 10001100 | 8C | 1.5234 | C3 | 7.8125 |
| 10001101 | 8D | 1.5313 | C4 | 7.8125 |
| 10001110 | 8E | 1.5391 | C5 | 7.8125 |
| 10001111 | 8F | 1.5469 | C6 | 7.8125 |
| 10010000 | 90 | 1.5547 | C7 | 7.8125 |
| 10010001 | 91 | 1.5625 | C8 | 7.8125 |
| 10010010 | 92 | 1.5703 | C9 | 7.8125 |
| 10010011 | 93 | 1.5781 | CA | 7.8125 |
| 10010100 | 94 | 1.5859 | CB | 7.8125 |
| 10010101 | 95 | 1.5938 | CC | 7.8125 |
| 10010110 | 96 | 1.6016 | CD | 7.8125 |
| 10010111 | 97 | 1.6094 | CE | 7.8125 |
| 10011000 | 98 | 1.6172 | CF | 7.8125 |
| 10011001 | 99 | 1.6250 | D0 | 7.8125 |
| 10011010 | 9A | 1.6328 | D1 | 7.8125 |
| 10011011 | 9B | 1.6406 | D2 | 7.8125 |
| 10011100 | 9C | 1.6484 | D3 | 7.8125 |
| 10011101 | 9D | 1.6563 | D4 | 7.8125 |
| 10011110 | 9E | 1.6641 | D5 | 7.8125 |
| 10011111 | 9F | 3.0000 | 180 | |
| 10100000 | A0 | 1.0469 | 86 | |
| 10100001 | A1 | 1.6719 | D6 | 7.8125 |
| 10100010 | A2 | 1.6797 | D7 | 7.8125 |
| 10100011 | A3 | 1.6875 | D8 | 7.8125 |
| 10100100 | A4 | 1.6953 | D9 | 7.8125 |
| 10100101 | A5 | 1.7031 | DA | 7.8125 |
| 10100110 | A6 | 1.7109 | DB | 7.8125 |
| 10100111 | A7 | 1.7188 | DC | 7.8125 |
| 10101000 | A8 | 1.7266 | DD | 7.8125 |
| 10101001 | A9 | 1.7344 | DE | 7.8125 |
| 10101010 | AA | 1.7422 | DF | 7.8125 |
| 10101011 | AB | 1.7500 | E0 | 7.8125 |
| 10101100 | AC | 1.7578 | E1 | 7.8125 |
| 10101101 | AD | 1.7656 | E2 | 7.8125 |
| 10101110 | AE | 1.7734 | E3 | 7.8125 |
| 10101111 | AF | 1.7813 | E4 | 7.8125 |
| 10110000 | B0 | 1.7891 | E5 | 7.8125 |
| 10110001 | B1 | 1.7969 | E6 | 7.8125 |

TABLE 7. PROG1 8-BIT (BOOT-UP VOLTAGE) (Continued)

| BINARY CODE | HEX CODE | V _{BOOT} (V) | VOUT COMMAND CODE (HEX) | DELTA FROM PREVIOUS CODE (mV) |
|-------------|----------|-----------------------|-------------------------|-------------------------------|
| 10110010 | B2 | 1.8047 | E7 | 7.8125 |
| 10110011 | B3 | 1.8125 | E8 | 7.8125 |
| 10110100 | B4 | 1.8203 | E9 | 7.8125 |
| 10110101 | B5 | 1.8281 | EA | 7.8125 |
| 10110110 | B6 | 1.8359 | EB | 7.8125 |
| 10110111 | B7 | 1.9141 | F5 | 78.125 |
| 10111000 | B8 | 1.9922 | FF | 78.125 |
| 10111001 | B9 | 2.0703 | 109 | 78.125 |
| 10111010 | BA | 2.1484 | 113 | 78.125 |
| 10111011 | BB | 2.2266 | 11D | 78.125 |
| 10111100 | BC | 2.3047 | 127 | 78.125 |
| 10111101 | BD | 2.3828 | 131 | 78.125 |
| 10111110 | BE | 2.4609 | 13B | 78.125 |
| 10111111 | BF | 3.2969 | 1A6 | |
| 11000000 | C0 | 1.1016 | 8D | |
| 11000001 | C1 | 2.4688 | 13C | 7.8125 |
| 11000010 | C2 | 2.4766 | 13D | 7.8125 |
| 11000011 | C3 | 2.4844 | 13E | 7.8125 |
| 11000100 | C4 | 2.4922 | 13F | 7.8125 |
| 11000101 | C5 | 2.5000 | 140 | 7.8125 |
| 11000110 | C6 | 2.5078 | 141 | 7.8125 |
| 11000111 | C7 | 2.5156 | 142 | 7.8125 |
| 11001000 | C8 | 2.5234 | 143 | 7.8125 |
| 11001001 | C9 | 2.6016 | 14D | 78.125 |
| 11001010 | CA | 2.6797 | 157 | 78.125 |
| 11001011 | CB | 2.7578 | 161 | 78.125 |
| 11001100 | CC | 2.8359 | 16B | 78.125 |
| 11001101 | CD | 2.9141 | 175 | 78.125 |
| 11001110 | CE | 2.9922 | 17F | 78.125 |
| 11001111 | CF | 3.0703 | 189 | 78.125 |
| 11010000 | D0 | 3.1484 | 193 | 78.125 |
| 11010001 | D1 | 3.2266 | 19D | 78.125 |
| 11010010 | D2 | 3.2813 | 1A4 | 54.6875 |
| 11010011 | D3 | 3.2891 | 1A5 | 7.8125 |
| 11010100 | D4 | 3.2969 | 1A6 | 7.8125 |
| 11010101 | D5 | 3.3047 | 1A7 | 7.8125 |
| 11010110 | D6 | 3.3125 | 1A8 | 7.8125 |
| 11010111 | D7 | 3.3203 | 1A9 | 7.8125 |
| 11011000 | D8 | 3.3281 | 1AA | 7.8125 |

TABLE 7. PROG1 8-BIT (BOOT-UP VOLTAGE) (Continued)

| BINARY CODE | HEX CODE | V _{BOOT} (V) | VOUT COMMAND CODE (HEX) | DELTA FROM PREVIOUS CODE (mV) |
|-------------|----------|-----------------------|-------------------------|-------------------------------|
| 11011001 | D9 | 3.4063 | 1B4 | 78.125 |
| 11011010 | DA | 3.4844 | 1BE | 78.125 |
| 11011011 | DB | 3.5625 | 1C8 | 78.125 |
| 11011100 | DC | 3.6406 | 1D2 | 78.125 |
| 11011101 | DD | 3.7188 | 1DC | 78.125 |
| 11011110 | DE | 3.7969 | 1E6 | 78.125 |
| 11011111 | DF | 5.0000 | 280 | |
| 11100000 | E0 | 1.2031 | 9A | |
| 11100001 | E1 | 3.8750 | 1F0 | 78.125 |
| 11100010 | E2 | 3.9531 | 1FA | 78.125 |
| 11100011 | E3 | 4.0313 | 204 | 78.125 |
| 11100100 | E4 | 4.1094 | 20E | 78.125 |
| 11100101 | E5 | 4.1875 | 218 | 78.125 |
| 11100110 | E6 | 4.2656 | 222 | 78.125 |
| 11100111 | E7 | 4.3438 | 22C | 78.125 |
| 11101000 | E8 | 4.4219 | 236 | 78.125 |
| 11101001 | E9 | 4.5000 | 240 | 78.125 |
| 11101010 | EA | 4.5781 | 24A | 78.125 |
| 11101011 | EB | 4.6563 | 254 | 78.125 |
| 11101100 | EC | 4.7344 | 25E | 78.125 |
| 11101101 | ED | 4.8125 | 268 | 78.125 |
| 11101110 | EE | 4.8906 | 272 | 78.125 |
| 11101111 | EF | 4.9688 | 27C | 78.125 |
| 11110000 | F0 | 4.9766 | 27D | 78.125 |
| 11110001 | F1 | 4.9844 | 27E | 78.125 |
| 11110010 | F2 | 4.9922 | 27F | 78.125 |
| 11110011 | F3 | 5.0000 | 280 | 78.125 |
| 11110100 | F4 | 5.0078 | 281 | 78.125 |
| 11110101 | F5 | 5.0156 | 282 | 78.125 |
| 11110110 | F6 | 5.0234 | 283 | 78.125 |
| 11110111 | F7 | 5.0313 | 284 | 78.125 |
| 11111000 | F8 | 5.1094 | 28E | 78.125 |
| 11111001 | F9 | 5.1875 | 298 | 78.125 |
| 11111010 | FA | 5.2656 | 2A2 | 78.125 |
| 11111011 | FB | 5.3438 | 2AC | 78.125 |
| 11111100 | FC | 5.4219 | 2B6 | 78.125 |
| 11111101 | FD | 5.4922 | 2BF | 70.3125 |
| 11111110 | FE | 5.5000 | 2C0 | 78.125 |
| 11111111 | FF | 0 | 0 | |

As shown in [Table 7](#), 1 step is $2^{-7} = 7.8125\text{mV}$; some selections are higher than 1 step from adjacent codes. However, the resolution is $\pm 7.8125\text{mV}$ around the popular voltage regulation points, as in [Table 3 on page 11](#), for fine-tuning. For finer than 7.8125mV tuning, place a large ratio resistor divider on the VSEN pin between the output (V_{OUT}) and RGND for positive offset or V_{CC} for negative offset, as shown in [Figure 8](#).

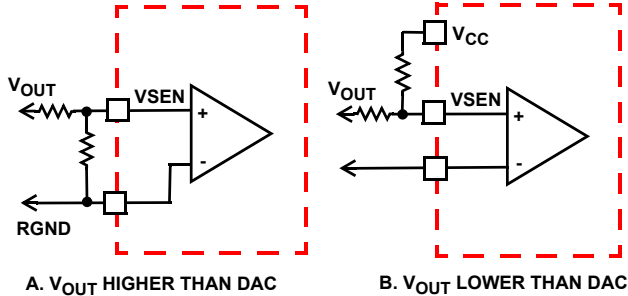


FIGURE 8. EXTERNAL PROGRAMMABLE REGULATION

Current Sensing

The ISL68200 supports inductor Direct Current Resistance (DCR) sensing, or resistive sensing techniques, and senses current continuously for fast response. The current sense amplifier uses the CSEN and CSRTN inputs to reproduce a signal proportional to the inductor current, I_L . The sense current, I_{SEN} , is proportional to the inductor current and is used for current reporting and overcurrent protection.

The input bias current of the current sensing amplifier is typically 10s of nA; less than $15\text{k}\Omega$ input impedance connected to the CSEN pin is preferred to minimize the offset error, that is, use a larger C value (select $0.22\mu\text{F}$ to $1\mu\text{F}$ instead of $0.1\mu\text{F}$ when needed). In addition, the current sensing gain resistor connected to the CSRTN pin should be within 40Ω to $3.5\text{k}\Omega$.

INDUCTOR DCR SENSING

An inductor's winding is characteristic of a distributed resistance, as measured by the DCR parameter. A simple RC network across the inductor extracts the DCR voltage, as shown in [Figure 9](#).

The voltage on the capacitor V_C , can be shown to be proportional to the inductor current I_L , as in [Equation 5](#).

$$V_C(s) = \frac{(s \cdot \frac{L}{DCR} + 1) \cdot (DCR \cdot I_L)}{(s \cdot RC + 1)} \quad (\text{EQ. 5})$$

If the RC network components are selected so that the RC time constant ($= R \cdot C$) matches the inductor time constant ($= L/DCR$), the voltage across the capacitor V_C is equal to the voltage drop across the DCR. With the internal low-offset current amplifier, the capacitor voltage V_C is replicated across the sense resistor R_{ISEN} . Therefore, the current out of the CSRTN pin, I_{SEN} , is proportional to the inductor current.

[Equation 6](#) shows that the ratio of the inductor current to the sensed current, I_{SEN} , is driven by the value of the sense resistor and the DCR of the inductor.

$$I_{\text{SEN}} = I_L \cdot \frac{DCR}{R_{\text{ISEN}}} \quad (\text{EQ. 6})$$

The inductor DCR value increases as the temperature increases. Therefore, the sensed current increases as the temperature of the current sense element increases. To compensate the temperature effect on the sensed current signal, use the ISL68200 integrated temperature compensation function. The integrated temperature compensation function is described in [“Thermal Monitoring and Compensation” on page 17](#).

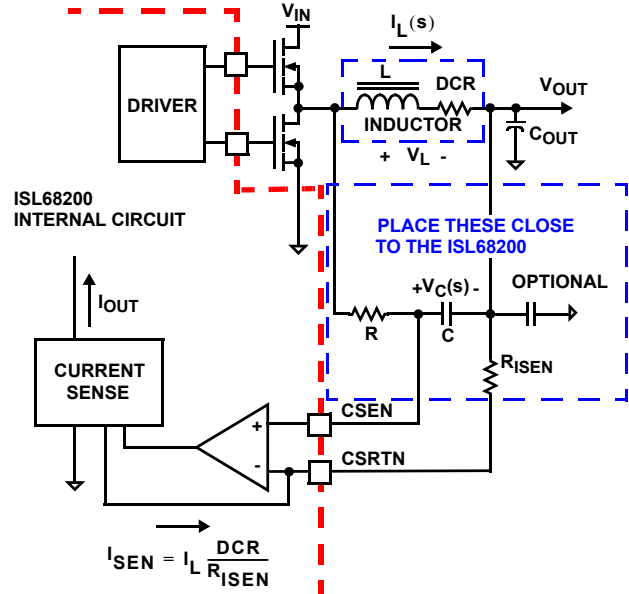


FIGURE 9. DCR SENSING CONFIGURATION

RESISTIVE SENSING

For accurate current sense, a dedicated current-sense resistor R_{SENSE} , in series with each output inductor can serve as the current sense element (see [Figure 10](#)). However, this technique reduces overall converter efficiency due to the additional power loss on the current sense element R_{SENSE} .

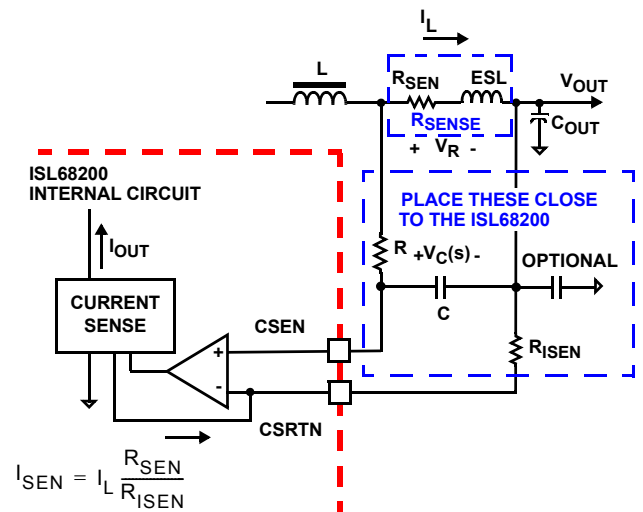


FIGURE 10. SENSE RESISTOR IN SERIES WITH INDUCTORS

A current sensing resistor has a distributed parasitic inductance, known as Equivalent Series Inductance (ESL), typically less than 1nH. A simple RC network across the current sense resistor extracts the R_{SEN} voltage, as shown in [Figure 10 on page 16](#).

The voltage on the capacitor V_C , can be shown to be proportional to the inductor current I_L , see [Equation 7](#).

$$V_C(s) = \frac{\left(s \cdot \frac{ESL}{R_{SEN}} + 1\right) \cdot (R_{SEN} \cdot I_L)}{(s \cdot RC + 1)} \quad (\text{EQ. 7})$$

If the RC network components are selected so that the RC time constant matches the ESL- R_{SEN} time constant ($R \cdot C = ESL/R_{SEN}$), the voltage across the capacitor V_C is equal to the voltage drop across the R_{SEN} , that is, proportional to the inductor current. As an example, a typical 1m Ω sense resistor can use $R = 348\Omega$ and $C = 820\text{pF}$ for the matching. [Figures 11 and 12](#) show the sensed waveforms without and with matching RC when using resistive sense.

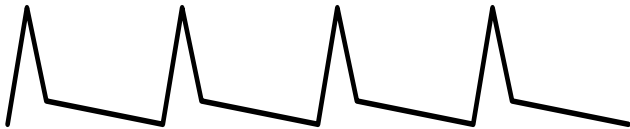


FIGURE 11. VOLTAGE ACROSS R WITHOUT RC



FIGURE 12. VOLTAGE ACROSS C WITH MATCHING RC

[Equation 8](#) shows that the ratio of the inductor current to the sensed current, I_{SEN} , is driven by the value of the sense resistor and the R_{ISEN} .

$$I_{SEN} = I_L \cdot \frac{R_{SEN}}{R_{ISEN}} \quad (\text{EQ. 8})$$

L/DCR OR ESL/ R_{SEN} MATCHING

[Figure 13](#) shows the expected load transient response waveforms if L/DCR or ESL/ R_{SEN} is matching the RC time constant. When the load current has a square change, the IOUT pin voltage (V_{IOUT}) without a decoupling capacitor also has a square response. However, there is always some PCB contact impedance of current sensing components between the two current sensing points; it hardly accounts into the L/DCR or ESL/ R_{SEN} matching calculation. Fine tuning the matching is necessarily done at the board level to improve overall transient performance and system reliability.

If the RC timing constant is too large or too small, $V_C(s)$ does not accurately represent real-time output current and worsens the overcurrent fault response. [Figure 14](#) shows the IOUT pin transient voltage response when the RC timing constant is too small. V_{IOUT} sags excessively upon load insertion and can create a system failure or early overcurrent trip. [Figure 15](#) shows the transient response when the RC timing constant is too large. V_{IOUT} is sluggish in reaching its final value. The excessive delay

on current sensing prevents a fast OCP response and reduces system reliability.

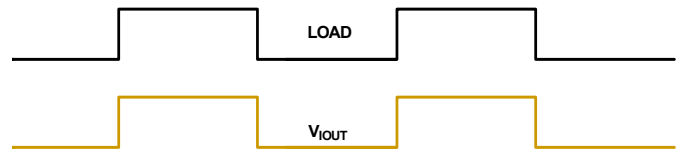


FIGURE 13. DESIRED LOAD TRANSIENT RESPONSE WAVEFORMS

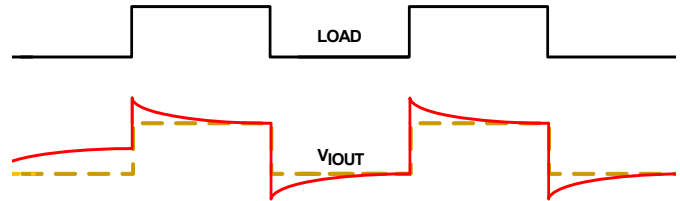


FIGURE 14. LOAD TRANSIENT RESPONSE WHEN R-C TIME CONSTANT IS TOO SMALL

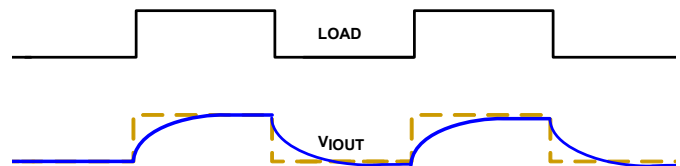


FIGURE 15. LOAD TRANSIENT RESPONSE WHEN R-C TIME CONSTANT IS TOO LARGE

Note that the integrated thermal compensation applies to the DC current, but not the AC current; therefore, the peak current seen by the controller will increase as the temperature decreases and can potentially trigger an OCP event. To overcome this issue, the RC should be over-matching L/DCR at room temperature by $(-40^\circ\text{C} + 25^\circ\text{C}) \cdot 0.385\%/^\circ\text{C} = +25\%$ for -40°C operation.

Thermal Monitoring and Compensation

The thermal monitoring function block diagram is shown in [Figure 16 on page 18](#). Place one NTC resistor close to the respective power stage of the voltage regulator VR to sense the operational temperature. Pull-up resistors are needed to form the voltage dividers for the NTC pin. As the temperature of the power stage increases, the NTC resistance reduces, resulting in the reduced voltage at the NTC pin. [Figure 18 on page 18](#) shows the TM voltage over the temperature for a typical design with a recommended 10k Ω NTC (P/N: NCP15XH103J03RC from Murata, $\beta = 3380$) and 1.54k Ω resistor R_{TM} . It is recommended to use these resistors for accurate temperature compensation because the internal thermal digital code is based on these two components. If a different value is used, the temperature coefficient must be close to 3380 and R_{TM} must be scaled accordingly. For instance, if NTC = 20k Ω ($\beta = 3380$), then R_{TM} should be $20\text{k}\Omega/10\text{k}\Omega \cdot 1.54\text{k}\Omega = 3.08\text{k}\Omega$.

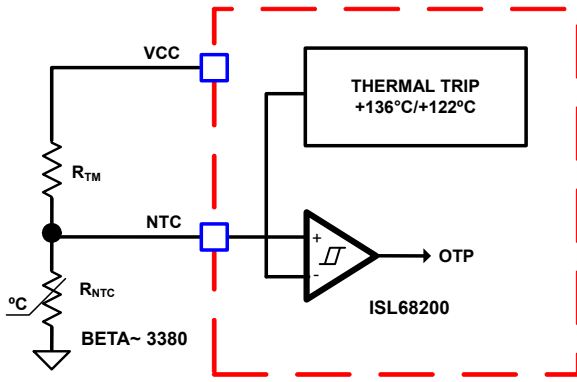


FIGURE 16. BLOCK DIAGRAM OF THERMAL MONITORING AND PROTECTION

The ISL68200 supports inductor DCR sensing, or resistive sensing techniques. The inductor DCR has a positive temperature coefficient, which is about +0.385%/°C. Because the voltage across the inductor is sensed for the output current information, the sensed current has the same positive temperature coefficient as the inductor DCR. To obtain the correct current information, the ISL68200 uses the voltage at the NTC pin and the “TCOMP” register to compensate the temperature impact on the sensed current. The block diagram of this function is shown in Figure 17.

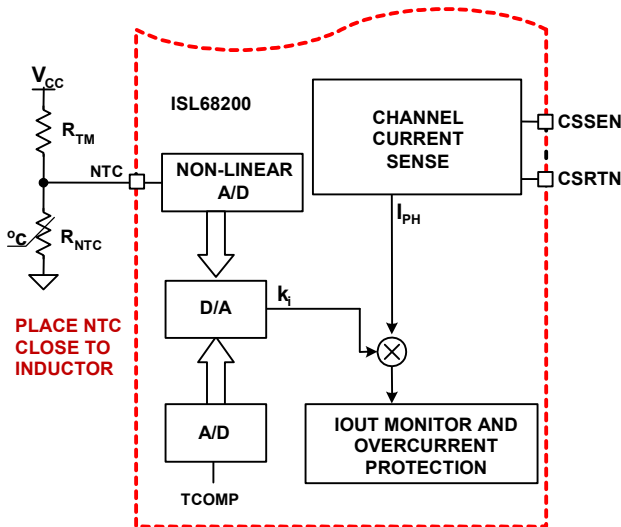


FIGURE 17. BLOCK DIAGRAM OF INTEGRATED TEMPERATURE COMPENSATION

When the NTC is placed close to the current sense component (inductor), the temperature of the NTC tracks the temperature of the current sense component. Therefore, the NTC pin voltage can be used to obtain the temperature of the current sense component. Because the NTC can pick up noise from the phase node, a 0.1µF ceramic decoupling capacitor is recommended on the NTC pin in close proximity to the controller.

Based on the V_{CC} voltage, the ISL68200 converts the NTC pin voltage to a digital signal for temperature compensation. With the nonlinear A/D converter of the ISL68200, the NTC digital signal is linearly proportional to the NTC temperature. For accurate temperature compensation, the ratio of the NTC voltage

to the NTC temperature of the practical design should be similar to that in Figure 18.

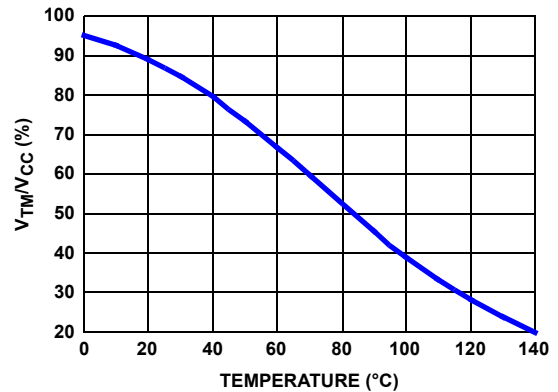


FIGURE 18. THE RATIO OF TM VOLTAGE TO NTC TEMPERATURE WITH RECOMMENDED PART

Because the NTC attaches to the PCB, but not directly to the current sensing component, it inherits high thermal impedance between the NTC and the current sensing element. Use the “TCOMP” register values to correct the temperature difference between NTC and the current sense component. As shown in Figure 19, the NTC should be placed in proximity to the output rail; do not place it close to the MOSFET side, which generates much more heat.

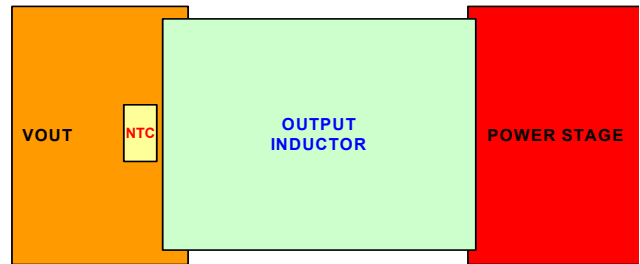


FIGURE 19. RECOMMENDED PLACEMENT OF NTC

The ISL68200 multiplexes the “TCOMP” value with the NTC digital signal to obtain the adjustment gain to compensate the temperature impact on the sensed channel current. The compensated current signal is used for I_{OUT} and overcurrent protection functions. The TCOMP “OFF” code disables thermal compensation when the current sensing element is the resistor or smart power stage (internally thermal compensated) that has little thermal drifting.

TABLE 8. “TCOMP” VALUES

| D1h | TCOMP (°C) | D1h | TCOMP (°C) |
|-----|------------|-----|------------|
| 0h | 30 | 2h | 5 |
| 1h | 15 | 3h | OFF |

The thermal compensation design procedure for inductor current sensing is summarized as follows:

1. Properly choose the voltage divider for the NTC pin to match the NTC voltage vs temperature curve with the recommended curve in [Figure 18 on page 18](#).
2. Operate the board under the full load and the desired airflow condition.
3. After the board reaches the thermal steady state (often takes 15 minutes), record the temperature (T_{CSC}) of the current sense component (inductor) and the voltage at NTC and VCC pins.
4. Use [Equation 9](#) to calculate the resistance of the NTC, and find out the corresponding NTC temperature T_{NTC} from the NTC datasheet or using [Equation 10](#), where β is equal to 3380 for recommended NTC.

$$R_{NTC}(\text{at } T_{NTC}) = \frac{V_{TM} \times R_{TM}}{V_{CC} - V_{TM}} \quad (\text{EQ. 9})$$

$$T_{NTC} = \frac{\beta}{\ln\left(\frac{R_{NTC}(\text{at } T_{NTC})}{R_{NTC}(\text{at } 25^\circ\text{C})}\right) + \frac{\beta}{298.15}} - 273.15 \quad (\text{EQ. 10})$$

5. Choose a number close to the result as in [Equation 11](#) for the "TCOMP" register.

$$T_{COMP} = T_{CSC} - T_{NTC} \quad (\text{EQ. 11})$$

6. Operate the actual board under full load again.
7. Record the IOUT pin voltage as V1 immediately after the output voltage is stable with the full load. Record the IOUT pin voltage as V2 after the VR reaches the thermal steady state.
8. If the IOUT pin voltage increases over 10mV as the temperature increases, that is, $V2 - V1 > 10\text{mV}$, reduce the "TCOMP" value. If the IOUT pin voltage decreases over 10mV as the temperature increases, that is, $V1 - V2 > 10\text{mV}$, increase the "TCOMP" value. The "TCOMP" value can be adjusted through the serial bus for easy thermal compensation optimization.

I_{OUT} Calibration

The current flowing out of the IOUT pin is equal to the sensed average current inside ISL68200. A resistor is placed from the IOUT pin to GND to generate a voltage, which is proportional to the load current and the resistor value, as shown in [Equation 12](#):

$$\begin{aligned} R_{IOUT} &= \frac{2.5V \times R_{ISEN}}{63.875A \times R_x} = \frac{2.5V \times \left(\frac{R_x \times I_{OCP}}{100\mu A}\right)}{63.875A \times R_x} \\ &= \frac{2.5V \times I_{OCP}}{63.875A \times 100\mu A} = \frac{25V \times I_{OCP}}{63.875A} \text{ k}\Omega \end{aligned} \quad (\text{EQ. 12})$$

where V_{IOUT} is the voltage at the IOUT pin, R_{IOUT} is the resistor between the IOUT pin and GND, I_{LOAD} is the total output current of the converter, R_{ISEN} is the sense resistor connected to the CSRTN pin, and R_x is the DC resistance of the current sense element, either the DCR of the inductor or R_{SENSE} depending on the sensing method. The R_{IOUT} resistor should be scaled to

ensure that the voltage at the IOUT pin is typically 2.5V at 63.875A load current. The IOUT voltage is linearly digitized every 108 μs and stored in the READ_IOUT register (8Ch).

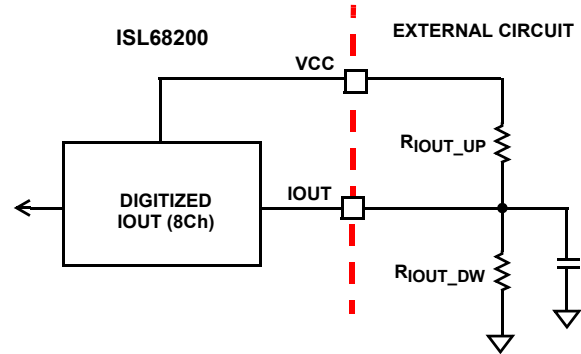


FIGURE 20. IOUT NO LOAD OFFSET CALIBRATION

Place a small capacitor between IOUT and GND to reduce the noise impact and provide averaging, typically > 200 μs .

To deal with layout and design variation of different platforms, the ISL68200 is intentionally trimmed to negative at no load, thus, an offset can easily be added to calibrate the digitized IOUT reading (8Ch). The analog vs digitized current slope is set by the equivalent impedance of $R_{IOUT_UP}/R_{IOUT_DW} = R_{IOUT}$ (as shown in [Figure 20](#)); the slope of the ideal curve should be set to 1A/A with 0A offset.

For a precision digital I_{OUT} , complete the following fine-tune procedure below step-by-step; steps 1 through 5 must be completed before step 6.

1. Properly tune L/DCR or ESL/ R_{SEN} matching as shown on [page 17](#) over the range of temperature operation. +25% over-matching L/DCR at room temperature is needed for -40 $^\circ\text{C}$ operation.
2. Properly complete thermal compensation as described in ["Thermal Monitoring and Compensation" on page 17](#).
3. Finalize R_{ISEN} resistor to set OCP for overall operating conditions and board variations as described in ["Overcurrent and Short-Circuit Protection" on page 20](#).
4. Collect no load I_{OUT} current with sufficient prototypes and determine the mean of no load I_{OUT} current.
5. The pull-up impedance on IOUT pin should be "VCC/IOUT_NO_LOAD"; for instance, a mean of -2.5 μA I_{OUT} at 0A load needs $R_{IOUT_UP} = 2\text{M}\Omega$.
6. Start with the value below, then fine-tune the R_{IOUT_DW} value until the average slope of various boards equals 1A/A.

$$R_{IOUT_DW} = \frac{R_{IOUT_UP} \times R_{IOUT}}{R_{IOUT_UP} - R_{IOUT}} \quad (\text{EQ. 13})$$

Fault Protection

The ISL68200 provides high system reliability with the fault protections summarized in [Table 9](#).

TABLE 9. FAULT PROTECTION SUMMARY

| FAULT | DESCRIPTION | FAULT ACTION |
|--------------------------|--|--|
| Input UVLO | VIN pin UVLO; or set by EN pin with an external divider for higher level. See Figures 4 and 5 on page 10 . | Shutdown and recover when VIN > UVLO |
| Bias UVLO | VCC, PVCC, 7VLDO UVLO | Shutdown and recover when Bias > UVLO |
| Start-Up OVP | Higher than V _{BOOT} . See "Electrical Specifications" on page 7 . | Latch OFF, reset by VCC or toggling Enable (including EN pin and/or OPERATION command based upon ON_OFF_CONFIG setting) |
| Output OVP | Rising = 116%; Falling = 100% | Latch OFF (reset by VCC or toggling enable including EN pin and/or OPERATION command based upon ON_OFF_CONFIG setting), or retry every 9ms; option is programmable by PROG3 or D3[0] |
| Output UVP | 74% of V _{OUT} , Latch OFF | |
| Output OCP | Average OCP = 100µA with 128µs blanking time. | Latch OFF (reset by VCC or toggling enable including EN pin and/or OPERATION command based upon ON_OFF_CONFIG setting), or retry every 9ms; option is programmable by PROG3 or D3[0] |
| Short-Circuit Protection | Peak OCP = 130% of Average OCP with 50ns filter. | |
| OTP | Rising = 22.31%VCC (~+136 °C); Falling = 27.79%VCC (~+122 °C). | Shut down above +136 °C and recover when temperature drops below +122 °C |

Input UVLO and OTP faults respond to the current state with hysteresis, output OVP and output UVP faults are latch events, while output OCP and output short-circuit faults can be latch or retry events depending upon the PROG3 or D3[0] setting. All fault latch events can be reset by VCC cycling, toggling the Enable pin, and/or with the serial bus OPERATION command based on the ON_OFF_CONFIG setting. The OCP retry event has a hiccup time of 9ms and the regulator can be recovered when the fault is removed.

OVERVOLTAGE PROTECTION

The OVP fault detection circuit triggers after the voltage between VSEN+ and VSEN- is above the rising overvoltage threshold. When an OVP fault is declared, the controller is latched off and the PGOOD pin is asserted low. The fault remains latched and can be reset by VCC cycling, toggling the EN pin, and/or with the serial bus OPERATION command based on the ON_OFF_CONFIG setting.

Although the controller latches off in response to an OVP fault, the LGATE gate-driver output retains the ability to toggle the low-side MOSFET on and off in response to the output voltage transversing the OVP rising and falling thresholds. The LGATE gate-driver turns on the low-side MOSFET to discharge the output voltage, protecting the load. The LGATE gate driver turns off the low-side MOSFET when the sensed output voltage is lower than the falling overvoltage threshold (typically 100%). If the output voltage rises again, the LGATE driver again turns on the low-side

MOSFET when the output voltage is above the rising overvoltage threshold (typically 120%). By doing so, the IC protects the load in consistent overvoltage conditions.

In addition to normal OVP operation, the start-up OVP circuits are enabled 5.5ms (typically, worst 6.5ms) after all rails (VCC, PVCC, 7VLDO, VIN) POR and before the end of soft-start to protect against OVP events, while the OVP level is set higher than V_{BOOT}. See ["Electrical Specifications" on page 7](#).

UNDERVOLTAGE PROTECTION

The UVP fault detection circuit triggers after the output voltage is below the undervoltage threshold (typically 74% of DAC). When an UVP fault is declared, the controller is latched off, forcing the LGATE and UGATE gate-driver outputs low, and the PGOOD pin is asserted low. The fault remains latched and can be reset by VCC cycling, toggling the EN pin, and/or with the serial bus OPERATION command based on the ON_OFF_CONFIG setting.

OVERCURRENT AND SHORT-CIRCUIT PROTECTION

The average Overcurrent Protection (OCP) is triggered when the internal current out of the IOUT pin goes above the fault threshold (typically 100µA) with 128µs blanking time. The device also has a fast (50ns filter) secondary overcurrent protection threshold +30% above average OCP; this protects inductor saturation from a short-circuit event and provides a more robust power train and system protection. When an OCP or short-circuit fault is declared, the controller is latched off, forcing the LGATE and UGATE gate-driver outputs low, or it retries with a hiccup time of 9ms; the fault response is programmable by PROG3 or D3[0]. The latched off event can be reset by VCC cycling, toggling the EN pin, and/or with the serial bus OPERATION command based on the ON_OFF_CONFIG setting.

[Equation 14](#) provides a starting point to set a preliminary OCP trip point, where I_{OCP} is the targeted OCP trip point and ΔI (as shown in [Equation 15](#) on [page 28](#)) is the peak-to-peak inductor ripple current.

$$R_{ISEN1} = \frac{R_x \times I_{OCP}}{100 \mu A}$$

$$R_{ISEN2} = \frac{R_x \times \left(\frac{\Delta I}{2} + I_{OCP} \right)}{100 \mu A \times (100\% + 30\%)} \quad (\text{EQ. 14})$$

$$R_{ISEN} = \text{MAX} (R_{ISEN1}, R_{ISEN2})$$

To deal with layout and PCB contact impedance variation, complete the following fine-tuning procedure below step-by-step for a more precision OCP; steps 1 through 3 must be completed before step 4.

1. Properly tune L/DCR or ESL/R_{SEN} over the range of temperature operation matching as shown on [page 17](#). +25% over-matching L/DCR at room temperature is needed for -40 °C operation.
2. Properly complete thermal compensation as described in ["Thermal Monitoring and Compensation" on page 17](#).
3. Collect OCP trip points (IOCP_MEASURED) with sufficient prototypes and determine the means for overall operating conditions and board variations.

4. Change R_{ISEN} by IOCP_TARGETED/IOCP_MEASURED percentage to meet the targeted OCP.

Note that if the inductor peak-to-peak current is higher or closer to 30%, the +30% threshold can be triggered instead of the average OCP threshold. However, the fine-tune procedure still can be used.

OVER-TEMPERATURE PROTECTION

Figure 16 shows a comparator with hysteresis that compares the NTC pin voltage to the threshold set. When the NTC pin voltage is lower than 22.31% of VCC voltage (typically +136 °C), it triggers Over-Temperature Protection (OTP) and shuts down ISL68200 operation. When the NTC pin voltage is above 27.79% of VCC voltage (typically +122.4 °C), the ISL68200 resumes normal operation. When an OTP fault is declared, the controller forces the LGATE and UGATE gate-driver outputs low.

PGOOD Monitor

The PGOOD pin indicates when the converter is capable of supplying regulated voltage. PGOOD is asserted low if a fault condition occurs on a rail’s (VCC, PVCC, 7VLD0, or VIN) UVLO, output Overcurrent (OCP), Overvoltage (OVP), Undervoltage (UVP), or Over-Temperature (OTP). Note that the PGOOD pin is an undefined impedance with insufficient VCC (typically <2.5V).

Adaptive Shoot-Through Protection

The LGATE and UGATE pins are MOSFET driver outputs. The LGATE pin drives the low-side MOSFET of the converter while the UGATE pin drives the high-side MOSFET of the converter. Adaptive shoot-through protection prevents a gate-driver output from turning on until the opposite gate-driver output has fallen below approximately 1V. The dead time shown in Figure 21 is extended by the additional period that the falling gate voltage remains above the 1V threshold. The high-side gate-driver output voltage is measured across the UGATE and PHASE pins while the low-side gate-driver output voltage is measured across the LGATE and GND pins.

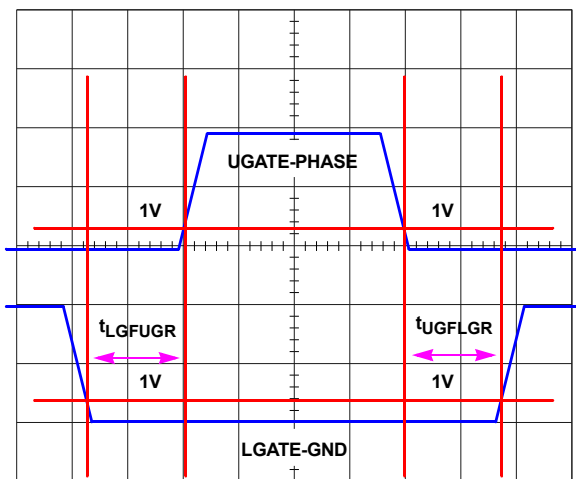


FIGURE 21. GATE DRIVE ADAPTIVE SHOOT-THROUGH PROTECTION

PFM Mode Operation

In PFM mode, programmable by PROG2 or serial bus D0[0:0], the switching frequency is dramatically reduced to minimize the switching loss and significantly improve light-load efficiency. The ISL68200 can enter and exit PFM mode seamlessly as the load changes. For high V_{OUT} applications implemented with high Q_g MOSFETs, the LGATE might not turn on long enough to charge the boot capacitor in PFM mode with OA load. Renesas recommends enabling the ISL68200’s ultrasonic PFM feature (by PROG3 or serial bus D2[0:0]), which maintains LGATE switching frequency above 20kHz and keeps the boot capacitor charged for immediate load apply event. Alternatively, an external Schottky diode or maintaining a minimum load can enhance the boot capacitor charge.

SMBus, PMBus, and I²C Operation

The ISL68200 features SMBus, PMBus, and I²C with 32 programmable addresses through the PROG2 pin, while the SMBus/PMBus includes an Alert# line (SALERT) and Packet Error Check (PEC) to ensure data transmits properly. The telemetry update rate is 108µs (typically). The supported SMBus/PMBus/I²C addresses are summarized in Table 10. The 7-bit format address does not include the last bit (write and read): 40-47h, 60-67h and 70-7Fh.

The SMBus/PMBus/I²C allows programming the registers as shown in Table 11, except for SMBus/PMBus/I²C addresses 5.5ms (typically, worst 6.6ms) after all rails (VCC, PVCC, 7VLD0, and VIN) are above POR. Figures 22 and 23 on page 22 show the initialization timing diagram for the serial bus with different states of the EN (enable) pin.

For proper operation, follow the SMBus, PMBus, and I²C protocol shown Figure 24 on page 23. Note that STOP (P) bit is NOT allowed before the repeated START condition when “reading” contents of register.

When the device’s serial bus is not used, simply ground the device’s SCL, SDA, and SALERT pins and do not connect them to the bus.

TABLE 10. SMBus/PMBus/I²C 7-BIT FORMAT ADDRESS (HEX)

| 7-BIT ADDRESS | 7-BIT ADDRESS | 7-BIT ADDRESS |
|---------------|---------------|---------------|
| 40 | 63 | 76 |
| 41 | 64 | 77 |
| 42 | 65 | 78 |
| 43 | 66 | 79 |
| 44 | 67 | 7A |
| 45 | 70 | 7B |
| 46 | 71 | 7C |
| 47 | 72 | 7D |
| 60 | 73 | 7E |
| 61 | 74 | 7F |
| 62 | 75 | |

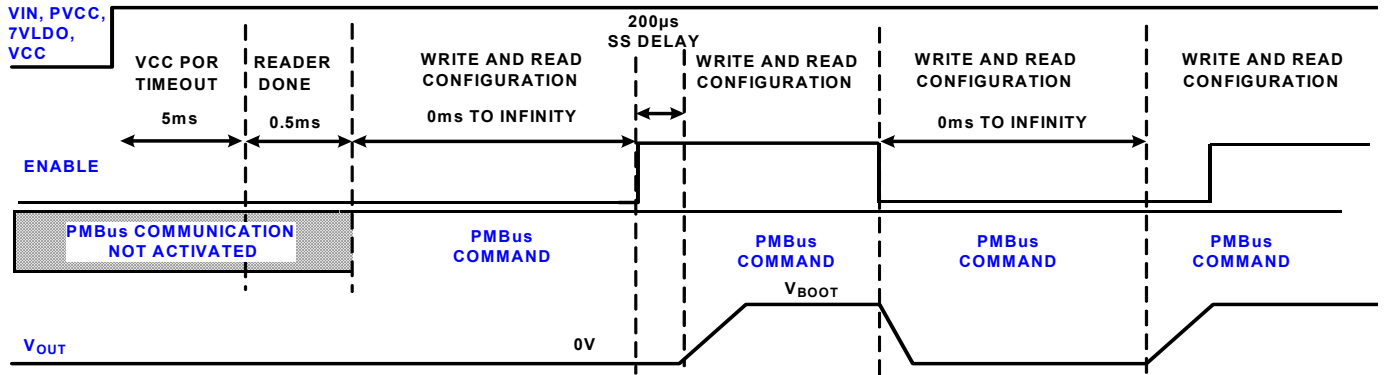


FIGURE 22. SIMPLIFIED SMBus/PMBus/I²C INITIALIZATION TIMING DIAGRAM WITH ENABLE LOW

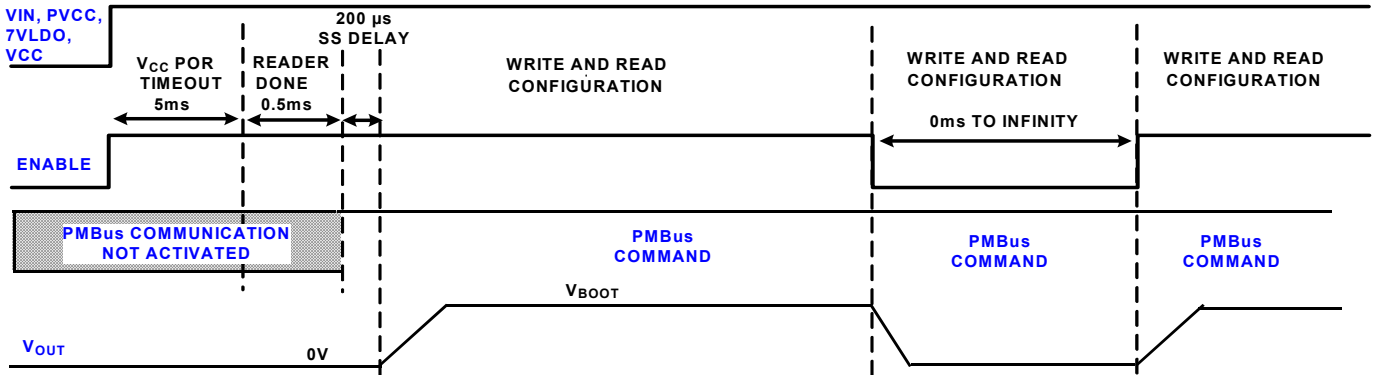
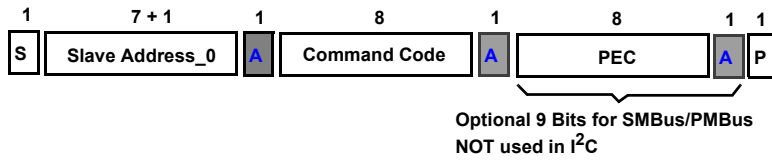


FIGURE 23. SIMPLIFIED SMBus/PMBus/I²C INITIALIZATION TIMING DIAGRAM WITH ENABLE HIGH

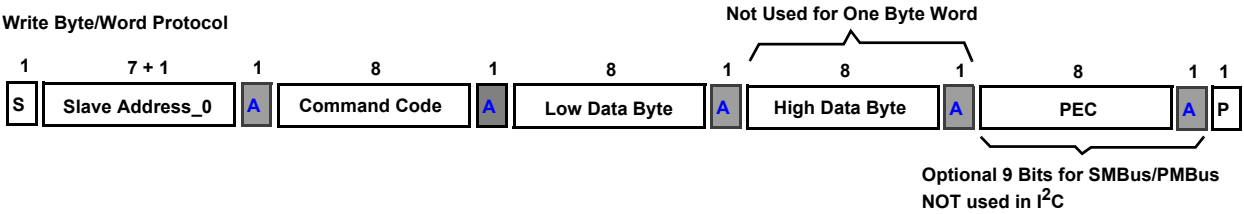
1. Send Byte Protocol



Example command: 03h Clear Faults
(This will clear all of the bits in Status Byte for the selected Rail)

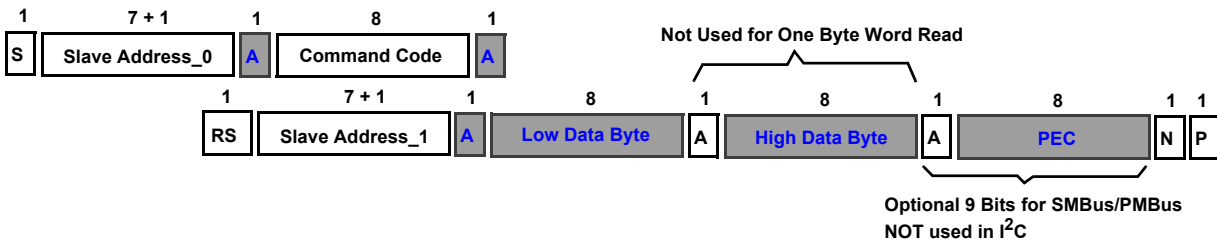
- S: Start Condition
 - A: Acknowledge ("0")
 - N: Not Acknowledge ("1")
 - W: Write ("0")
 - RS: Repeated Start Condition
 - R: Read ("1")
 - PEC: Packet Error Checking
 - P: Stop Condition
- Acknowledge or DATA from Slave, ISL68200

2. Write Byte/Word Protocol



Example command: D0h ENABLE_PFM (one word, High Data Byte and ACK are not used)

3. Read Byte/Word Protocol

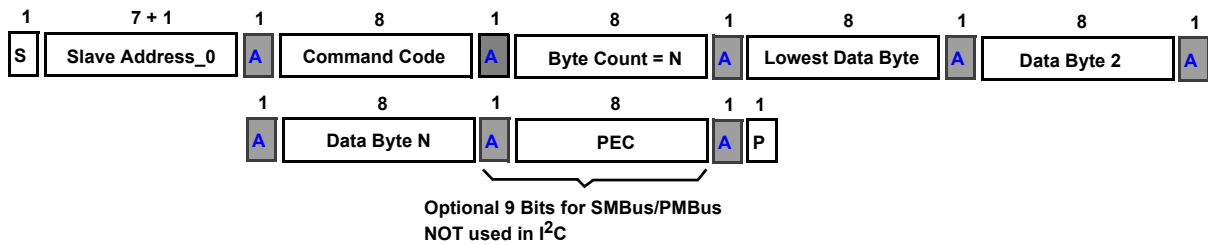


Example command: 8B READ_VOUT (Two words, read voltage of the selected rail).

NOTE: That all Writable commands are read with one byte word protocol.

STOP (P) bit is NOT allowed before the repeated START condition when "reading" contents of a register.

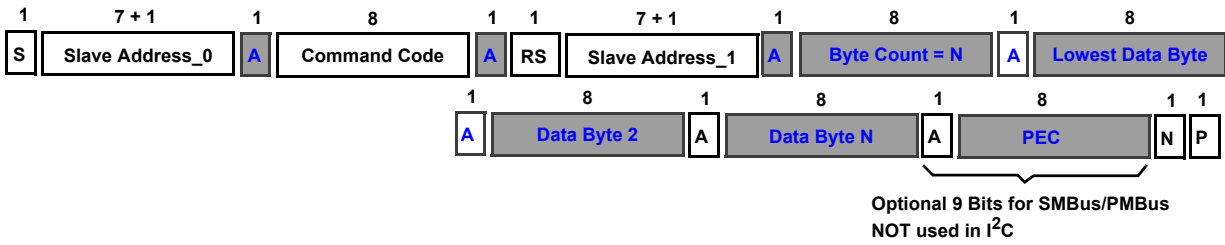
4. Block Write Protocol



Example command: ADh IC_DEVICE_ID (2 Data Byte)

FIGURE 24. SMBus/PMBus/I²C COMMAND PROTOCOL

5. Block Read Protocol



Example command: 8B READ_VOUT (Two words, read voltage of the selected rail).

NOTE: That all Writable commands are read with one byte word protocol.

STOP (P) bit is NOT allowed before the repeated START condition when “reading” contents of a register.

6. Group Command Protocol - No more than one command can be sent to the same Address

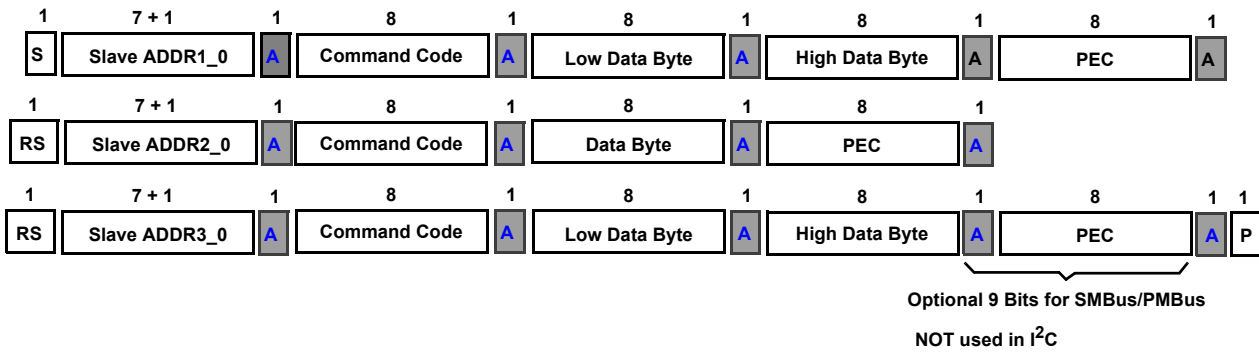


FIGURE 25. SMBus/PMBus/I²C COMMAND PROTOCOL

TABLE 1.1. SMBus, PMBus, AND I²C SUPPORTED COMMANDS

| COMMAND CODE | ACCESS | WORD LENGTH (BYTE) | DEFAULT VALUE | COMMAND NAME | DESCRIPTION |
|--------------|-----------|--------------------|---------------|------------------|---|
| 01h[7:0] | R/W | ONE | 80h | OPERATION | VR Enable (depending upon ON_OFF_CONFIG configuration): Bit[7]: 0 = OFF (0-F); 1 = ON (80-8Fh) Bit[6:4] = 0 Bit[3:0] = Don't care |
| 02h[7:0] | R/W | ONE | 1Fh | ON_OFF_CONFIG | Configure VR Enabled by OPERATION and/or EN pin: Bit[7:5] = 0 Bit[4] = 1 Bit[3] = OPERATION command enable 0h = OPERATION command has no control on VR 1h = OPERATION command can turn ON/OFF VR Bit[2] = CONTROL pin enable 0h = EN Pin has no control on VR 1h = EN pin can turn ON/OFF VR Bit[1] = 1 Bit[0] = 1 Bit[3:2] = 00b = 13h (ALWAYS ON) Bit[3:2] = 01b = 17h (EN controls VR) Bit[3:2] = 10b = 1Bh (OPERATION controls VR) Bit[3:2] = 11b = 1Fh (EN and OPERATION control VR) |
| 03h | SEND BYTE | N/A | | CLEAR_FAULTS | Clear faults in status registers |
| 20h[7:0] | R | ONE | 19h | VOUT_MODE | Set host format of VOUT command. Always Linear Format: N = -7 |
| 21h[2:0] | R/W | TWO | PROG1[7:0] | VOUT_COMMAND | Set output voltage HEX Code = DEC2HEX [ROUND(V _{OUT} /2 ⁻⁷)] |
| 24h[15:0] | R/W | TWO | VBOOT+500mV | VOUT_MAX | Set maximum output voltage that VR can command (DAC ≤ VOUT_MAX). Linear Format. N = -7 HEX Code = DEC2HEX(ROUNDUP(VOUT_MAX/ 2 ⁻⁷)) |
| 33h[15:0] | R/W | TWO | PROG3[5:3] | FREQUENCY_SWITCH | Set VR Switching Frequency (In Linear Format) Support 8 options (N = 0): 12Ch = 300kHz; 190h = 400kHz; 1F4h = 500kHz 258h = 600kHz; 2BCh = 700kHz; 352h = 850kHz 3E8h = 1MHz; 5DCh = 1.5MHz* * Very high frequency is not recommended for very high duty cycle applications as the boot capacitor does not have enough time to charge due to the low LGATE ON time. |
| 78h[8:0] | R | ONE | | STATUS_BYTE | Fault Reporting: Bit7 = Busy Bit6 = OFF (Reflect current state of operation and ON_OFF_CONFIG registers as well as VR Operation) Bit5 = OVP Bit4 = OCP Bit3 = 0 Bit2 = OTP Bit1 = Bus communication error Bit0 = NONE OF ABOVE (OUTPUT UVP, VOUT_COMMAND > VOUT_MAX, or VOUT OPEN SENSE) |
| 88h[15:0] | R | TWO | | READ_VIN | Input Voltage (N = -4, Max = 31.9375V) VIN (V) = HEX2DEC(88 hex data - E000h) * 0.0625V |
| 8Bh[15:0] | R | TWO | | READ_VOUT | VR Output Voltage, Resolution = 7.8125mV = 2 ⁻⁷ VOUT (V) = HEX2DEC(8B hex data) * 2 ⁻⁷ |
| 8Ch[15:0] | R | TWO | | READ_IOUT | VR Output Current (N = -3, IMAX = 63.875A) IOUT (A) = HEX2DEC(8C hex data-E800) * 0.125A when IOUT pin voltage = 2.5V at 63.875A load. |

TABLE 11. SMBus, PMBus, AND I²C SUPPORTED COMMANDS (Continued)

| COMMAND CODE | ACCESS | WORD LENGTH (BYTE) | DEFAULT VALUE | COMMAND NAME | DESCRIPTION |
|--------------|---------|--------------------|---------------|--------------------|---|
| 8Dh[15:0] | R | TWO | | READ_TEMP | VR temperature TEMP (°C) = 1/(ln[Rup*HEX2DEC(8D hex data)]/(511 - HEX2DEC(8D hex data))/RNTC(at +25°C)]/Beta + 1/298.15) -273.15 |
| 98h[7:0] | R | ONE | 02h | PMBUS_REVISION | Indicates PMBus Revision 1.2 |
| AD[15:0] | BLOCK R | TWO | 8200h | IC_DEVICE_ID | ISL68200 device ID |
| AE[15:0] | BLOCK R | TWO | 0003h | IC_DEVICE_REVISION | ISL68200 device revision |
| D0[0:0] | R/W | ONE | PROG2[7:7] | ENABLE_PFM | PFM OPERATION 0h = PFM enabled (DCM at light load) 1h = PFM disabled (always CCM mode) |
| D1[1:0] | R/W | ONE | PROG2[6:5] | TEMP_COMP | <u>Thermal Compensation:</u> 0h = 30°C; 01h = 15°C; 02h = 5°C; 03h = OFF |
| D2[0:0] | R/W | ONE | PROG3[7:7] | ENABLE_ULTRASONIC | Ultrasonic PFM enable 0h = 25kHz clamp disabled 1h = 25kHz clamp enabled |
| D3[0:0] | R/W | ONE | PROG3[6:6] | OCF_BEHAVIOR | Set latch or infinite retry for OCF fault: 0h = Retry every 9ms; 01 = Latch-OFF |
| D4[2:0] | R/W | ONE | PROG3[2:0] | AV_GAIN | <u>R4 AV GAIN (PROG4, AV Gain Multiplier = 2x)</u> 0h = 84; 1h = 73; 2h = 61; 3h = 49 4h = 38; 5h = 26; 6h = 14; 7h = 2 <u>R4 AV GAIN (PROG4, AV Gain Multiplier = 1x)</u> 0h = 42; 1h = 36.5; 2h = 30.5; 3h = 29.5 4h = 19; 5h = 13; 6h = 7; 7h = 1 |
| D5[2:0] | R/W | ONE | PROG4[7:5] | RAMP_RATE | <u>Soft-Start and Margining DVID Rate (mV/μs)</u> 0h = 1.25; 1h = 2.5; 2h = 5; 3h = 10; 4h = 0.078; 5h = 0.157 6h = 0.315; 7h = 0.625; |
| D6[1:0] | R/W | ONE | PROG4[4:3] | SET_RR | <u>Set RR</u> 0h = 200k; 01h = 400k; 02h = 600k; 03h = 800k |
| DC[7:0] | R | ONE | | READ_PROG1 | Read PROG1 |
| DD[7:0] | R | ONE | | READ_PROG2 | Read PROG2 |
| DE[7:0] | R | ONE | | READ_PROG3 | Read PROG3 |
| DF[7:0] | R | ONE | | READ_PROG4 | Read PROG4 |

NOTE: Serial bus communication is valid 5.5m (typically, worst 6.5ms) after VCC, VIN, 7VLD0, and PVCC above POR. The telemetry update rate is 108μs.

R4 Modulator

The R4 modulator is an evolutionary step in R3™ technology. Like R3, the R4 modulator is a linear control loop and variable frequency control during load transients that eliminates beat frequency oscillation at the switching frequency and maintains the benefits of current-mode hysteretic controllers. The R4 modulator also reduces regulator output impedance and uses accurate referencing to eliminate the need for a high-gain voltage amplifier in the compensation loop. The result is a topology that can be tuned to voltage-mode hysteretic transient speed while maintaining a linear control model and removes the need for any compensation. This greatly simplifies the regulator design for customers and reduces external component cost.

STABILITY

The removal of compensation derives from the R4 modulator's lack of need for high DC gain. In traditional architectures, high DC gain is achieved with an integrator in the voltage loop. The integrator introduces a pole in the open-loop transfer function at low frequencies. This pole, combined with the double-pole from the output L/C filter, creates a three pole system that must be compensated to maintain stability.

Classic control theory requires a single-pole transition through unity gain to ensure a stable system. Current-mode architectures (including peak, peak-valley, current-mode hysteric, R3, and R4) generate a zero at or near the L/C resonant point, effectively canceling one of the system's poles. The system still contains two poles, one of which must be canceled with a zero before unity gain crossover to achieve stability.

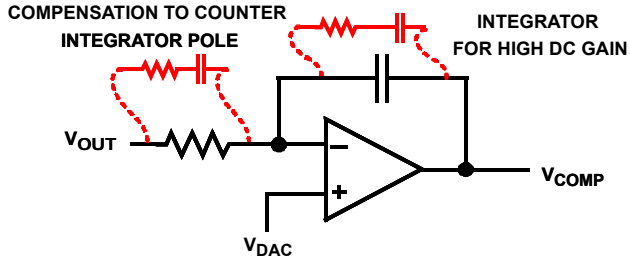


FIGURE 26. CLASSICAL INTEGRATOR ERROR-AMPLIFIER CONFIGURATION

Figure 26 illustrates the classic integrator configuration for a voltage loop error amplifier. While the integrator provides the high DC gain required for accurate regulation in traditional technologies, it also introduces a low-frequency pole into the control loop. Figure 27 shows the open-loop response that results from the addition of an integrating capacitor in the voltage loop. The compensation components found in Figure 26 are necessary to achieve stability.

Because R4 does not require a high-gain voltage loop, the integrator can be removed, reducing the number of inherent poles in the loop to two. The current-mode zero continues to cancel one of the poles, ensuring a single-pole crossover for a wide range of output filter choices. The result is a stable system with no need for compensation components or complex equations to properly tune the stability.

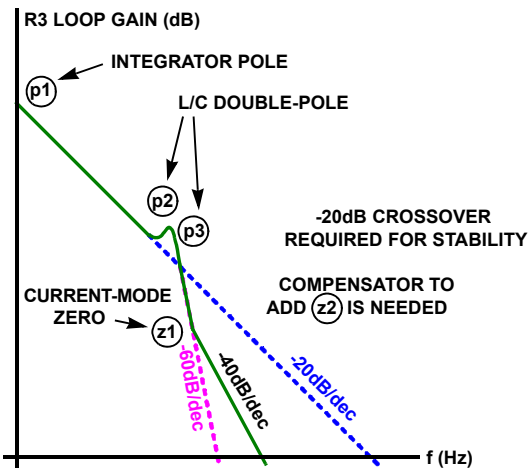


FIGURE 27. UNCOMPENSATED INTEGRATOR OPEN-LOOP RESPONSE

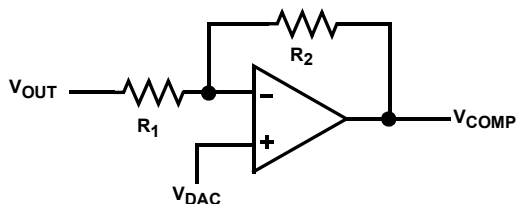


FIGURE 28. NON-INTEGRATED R4 ERROR-AMPLIFIER CONFIGURATION

Figure 28 shows the R4 error-amplifier that does not require an integrator for high DC gain to achieve accurate regulation. The result to the open-loop response can be seen in Figure 29.

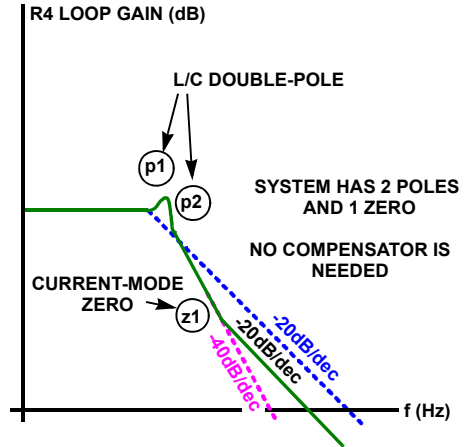


FIGURE 29. UNCOMPENSATED R4 OPEN-LOOP RESPONSE

TRANSIENT RESPONSE

In addition to requiring a compensation zero, the integrator in traditional architectures also slows system response to transient conditions. The change in COMP voltage is slow in response to a rapid change in output voltage. If the integrating capacitor is removed, COMP moves as quickly as VOUT, and the modulator immediately increases or decreases switching frequency to recover the output voltage.

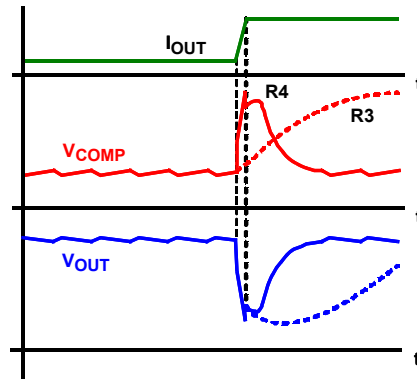


FIGURE 30. R3 vs R4 IDEALIZED TRANSIENT RESPONSE

The dotted red and blue lines in Figure 30 represent the time delayed behavior of V_{OUT} and V_{COMP} in response to a load transient when an integrator is used. The solid red and blue lines illustrate the increased response of R4 in the absence of the integrator capacitor.

To optimize transient response and improve phase margin for very wide range applications, the ISL68200 integrates two selectable AV and RR options that move DC gain and point z1, as shown in Figure 27. The default AV gain of 42 and RR of 200kΩ however, can cover many cases and provides sufficient gain and phase margin. For some extreme cases, lower AV gain and higher RR values are needed to provide a better phase margin and improve transient ringback. The optimal choice AV and RR can be obtained by simple monitoring transient response when experimenting with AV and RR values through the serial bus.

General Application Design Guide

This design guide provides a high-level explanation of the steps necessary to design a single-phase buck converter. It is assumed that the reader is familiar with many of the basic skills and techniques referenced in the following. In addition to this guide, Renesas provides complete reference designs that include schematics, bills of materials, and example board layouts.

Output Filter Design

The output inductors and the output capacitor bank together to form a low-pass filter that smooths the pulsating voltage at the phase nodes. The output filter must also provide the transient energy until the regulator can respond. The output filter necessarily limits the system transient response because it has a low bandwidth compared to the switching frequency. The output capacitor must supply or sink load current while the current in the output inductors increases or decreases to meet the demand.

In high-speed converters, the output capacitor bank is usually the most costly (and often the largest) part of the circuit. Output filter design begins with minimizing the cost of this part of the circuit. The critical load parameters in choosing the output capacitors are the maximum size of the load step, ΔI ; the load current slew rate, di/dt ; and the maximum allowable output voltage deviation under transient loading, ΔV_{MAX} . Capacitors are characterized according to their capacitance, ESR, and ESL (Equivalent Series Inductance).

At the beginning of the load transient, the output capacitors supply all of the transient current. The output voltage initially deviates by an amount approximated by the voltage drop across the ESL. As the load current increases, the voltage drop across the ESR increases linearly until the load current reaches its final value. The capacitors selected must have sufficiently low ESL and ESR so that the total output voltage deviation is less than the allowable maximum. Neglecting the contribution of inductor current and regulator response, the output voltage initially deviates by an amount, as shown in [Equation 15](#):

$$\Delta V \approx \Delta I \cdot ESR + \frac{ESL}{L_{OUT}} \cdot V_{IN} + \frac{1}{C_{OUT}} \cdot \frac{\Delta I}{8 \cdot N \cdot f_{SW}} \quad (\text{EQ. 15})$$

$$\Delta I = \frac{V_{OUT} \cdot (1 - D)}{L_{OUT} \cdot f_{SW}}$$

The filter capacitor must have sufficiently low ESL and ESR so that $\Delta V < \Delta V_{MAX}$.

Most capacitor solutions rely on a mixture of high-frequency capacitors with relatively low capacitance in combination with bulk capacitors having high capacitance but limited high-frequency performance. Minimizing the ESL of the high-frequency capacitors allows them to support the output voltage as the current increases. Minimizing the ESR of the bulk capacitors allows them to supply the increased current with less output voltage deviation. The ESR of the bulk capacitors also creates the majority of the output voltage ripple. As the bulk capacitors sink and source the inductor AC ripple current, a voltage develops across the bulk-capacitor ESR equal to $I_{L(P,P)}$ (ESR).

Thus, when the output capacitors are selected, the maximum allowable ripple voltage, $V_{P-P(MAX)}$, determines the lower limit on the inductance, as shown in [Equation 16](#).

$$L_{OUT} \geq ESR \cdot \frac{V_{OUT} \cdot (V_{IN} - V_{OUT})}{f_{SW} \cdot V_{IN} \cdot V_{P-P(MAX)}} \quad (\text{EQ. 16})$$

The capacitor voltage becomes slightly depleted because the capacitors are supplying a decreasing portion of the load current while the regulator recovers from the transient. The output inductors must be capable of assuming the entire load current before the output voltage decreases more than ΔV_{MAX} . This places an upper limit on inductance.

[Equation 17](#) gives the upper limit on L for cases when the trailing edge of the current transient causes a greater output-to-voltage deviation than the leading edge. [Equation 18](#) addresses the leading edge. Normally, the trailing edge dictates the selection of L because duty cycles are usually less than 50%. Nevertheless, both inequalities should be evaluated, and L should be selected based on the lower of the two results. In each equation, L is the per-channel inductance, C is the total output capacitance.

$$L_{OUT} \leq \frac{2 \cdot C \cdot V_{OUT}}{(\Delta I)^2} [\Delta V_{MAX} - \Delta I \cdot ESR] \quad (\text{EQ. 17})$$

$$L_{OUT} \leq \frac{1.25 \cdot C}{(\Delta I)^2} [\Delta V_{MAX} - \Delta I \cdot ESR] (V_{IN} - V_{OUT}) \quad (\text{EQ. 18})$$

Input Capacitor Selection

The input capacitors are responsible for sourcing the AC component of the input current flowing into the upper MOSFETs. Their RMS current capacity must be sufficient to handle the AC component of the current drawn by the upper MOSFETs, which is related to duty cycle and the number of active phases. The input RMS current can be calculated with [Equation 19](#).

$$I_{IN,RMS} = \sqrt{(D - D^2) \cdot I_o^2 + \frac{D}{12} \cdot (\Delta I)^2} \quad (\text{EQ. 19})$$

Use [Figure 31 on page 29](#) to determine the input capacitor RMS current requirement given the duty cycle, maximum sustained output current (I_o), and the ratio of the per-phase peak-to-peak inductor current ($I_{L(P,P)}$) to I_o . Select a bulk capacitor with a ripple current rating, which will minimize the total number of input capacitors required to support the RMS current calculated. The voltage rating of the capacitors should also be at least 1.25x greater than the maximum input voltage.

Low capacitance, high-frequency ceramic capacitors are needed in addition to the bulk capacitors to suppress leading and falling edge voltage spikes. The result from the high current slew rates produced by the upper MOSFETs turn on and off. Select low ESL ceramic capacitors and place one as close as possible to each upper MOSFET drain to minimize board parasitic impedances and maximize noise suppression.

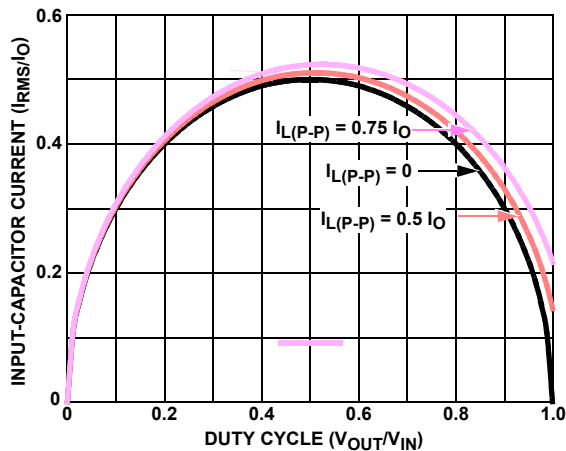


FIGURE 31. NORMALIZED INPUT-CAPACITOR RMS CURRENT vs DUTY CYCLE FOR SINGLE-PHASE CONVERTER

Design and Layout Considerations

To ensure a first pass design, the schematics design must be done correctly and the board must be laid out carefully.

As a general rule, power layers should be close together, either on the top or bottom of the board, with the weak analog or logic signal layers on the opposite side of the board or internal layers. The ground-plane layer should be in between power layers and the signal layers to provide shielding, often the layer below the top and the layer above the bottom should be the ground layers.

DC/DC converters consist of two sets of components: the power components and the small signal components. The power components are the most critical because they switch large amount of energy. The small signal components connect to sensitive nodes or supply critical bypassing current and signal coupling.

Place the power components first. The power components include MOSFETs, input and output capacitors, and the inductor. Keeping the distance between the power train and the control IC short helps keep the gate drive traces short. These drive signals include LGATE, UGATE, GND, PHASE, and BOOT.

When placing MOSFETs, keep the source of the upper MOSFETs and the drain of the lower MOSFETs as close as thermally possible. Place input high frequency capacitors close to the drain of the upper MOSFETs and the source of the lower MOSFETs. Place the output inductor and output capacitors between the MOSFETs and the load. High frequency output decoupling capacitors (ceramic) should be placed as close as possible to the decoupling target, making use of the shortest connection paths to any internal planes. Place the components in such a way that the area under the IC has few noise traces with high dV/dt and di/dt , such as gate signals, phase node signals and the VIN plane.

Tables 12 and 13 provide important design and layout checklists that can help the designer.

TABLE 12. DESIGN AND LAYOUT CHECKLIST

| PIN NAME | NOISE SENSITIVITY | DESCRIPTION |
|------------|-------------------|---|
| EN | Yes | Contains an internal $1\mu\text{s}$ filter. Decoupling the capacitor is not required. If a capacitor is needed, use a low time constant one to avoid too large a shutdown delay. |
| VIN | Yes | Place $16\text{V}+$ X7R $1\mu\text{F}$ in close proximity to the VIN pin and the system ground plane. |
| 7VLDO | Yes | Place $10\text{V}+$ X7R $1\mu\text{F}$ in close proximity to the 7VLDO pin and the system ground plane. |
| VCC | Yes | Place X7R $1\mu\text{F}$ in close proximity to the VCC pin and the system ground plane. |
| SCL, SDA | Yes | 50kHz to 1.25MHz signal when the SMBus, PMBus, or $I^2\text{C}$ is sending commands. Pair with SALERT and route carefully back to the SMBus, PMBus, or $I^2\text{C}$ master. Provide 20 mils spacing within SDA, SALERT, and SCL; and more than 30 mils to all other signals. Refer to the SMBus, PMBus, or $I^2\text{C}$ design guidelines and place proper terminated (pull-up) resistance for impedance matching. Tie these pins to GND when not used. |
| SALERT | No | Open drain and high dv/dt pin during transitions. Route this pin in the middle of SDA and SCL. Tie to GND when not used. |
| PGOOD | No | Open-drain pin. Tie to ground when not used. |
| RGND, VSEN | Yes | Route this differential pair to the remote sensing points with sufficient decoupling ceramics capacitors. Do not cross or go above/under any switching nodes (BOOT, PHASE, UGATE, LGATE) or planes (VIN, PHASE, VOUT) even though they are not in the same layer. Provide at least 20 mils spacing from other traces. Do not share the same trace with CSRTN. |
| CSRTN | Yes | Connect to the output rail side of the output inductor or current sensing resistor pin with a series resistor in close proximity to the pin. The series resistor sets the current gain and should be within 40Ω and $3.5\text{k}\Omega$. Decoupling ($\sim 0.1\mu\text{F}/\text{X7R}$) on the output end (not the pin) is optional and might be required for long sense trace and a poor layout (see Figures 9 and 10 on page 16). |
| CSEN | Yes | Connect to the phase node side of the output inductor or current sensing resistor pin with L/DCR or $\text{ESL}/\text{R}_{\text{SEN}}$ matching network in close proximity to CSEN and CSRTN pins. Differentially route back to the controller with at least 20 mils spacing from other traces. Do not cross or go above/under the switching nodes (BOOT, PHASE, UGATE, LGATE) and power planes (VIN, PHASE, VOUT) even though they are not in the same layer. |

TABLE 12. DESIGN AND LAYOUT CHECKLIST (Continued)

| PIN NAME | NOISE SENSITIVITY | DESCRIPTION |
|-------------|-------------------|--|
| NTC | Yes | Place an NTC 10k (Murata, NCP15XH103J03RC, $\beta = 3380$) in close proximity to the output inductor's output rail, not close to MOSFET side (see Figure 19); the return trace should be 20 mils away from other traces. Place a 1.54k Ω pull-up and decoupling capacitor (typically 0.1 μ F) in close proximity to the controller. The pull-up resistor should be exactly tied to the same point as the VCC pin, not through an RC filter. If not used, connect this pin to VCC. |
| IOUT | Yes | Scale R so that the IOUT pin voltage is 2.5V at 63.875A load. Place R and C in the general proximity of the controller. The RC time constant should be sufficient as an averaging function for the digital IOUT. An external pull-up resistor to VCC is recommended to cancel the IOUT offset at 0A load. See " IOUT Calibration " on page 19. |
| PROG1-4 | No | A resistor divider must be referenced to the VCC pin and the system ground; they can be placed anywhere. Do not use decoupling capacitors on these pins. |
| GND | Yes | Directly connect to a low noise area of the system ground. The GND PAD should use at least four vias. Warning: do not use separate analog grounds and power grounds with a 0 Ω resistor. |
| LGATE | No | Low-side driver output. The trace between this pin and the MOSFET gate pin should be as short and wide as possible. High dV/dt signals should not be close to any sensitive signals. |
| UGATE | No | High-side driver output. The trace between this pin and the MOSFET gate pin should be as short and wide as possible. High dV/dt signals should not be close to any sensitive signals. |
| BOOT, PHASE | Yes | Place an X7R 0.1 μ F or 0.22 μ F in proximity to the BOOT and PHASE pins. High dV/dt signals should not be close to any sensitive signals. |
| PVCC | Yes | Place an X7R 4.7 μ F in proximity to the PVCC pin and the system ground plane. |

TABLE 13. TOP LAYOUT TIPS

| # | DESCRIPTION |
|---|--|
| 1 | The layer next to the controller (top or bottom) should be a ground layer. Warning: do not use separate analog grounds and power grounds with a 0 Ω resistor. Directly connect the GND PAD to a low noise area of the system ground with at least four vias. |
| 2 | Never place the controller and its external components above or under the VIN plane or any switching nodes. |
| 3 | Never share CSRTN and VSEN on the same trace. |
| 4 | Place the input rail decoupling ceramic capacitors close to the high-side FET on the same layer as possible. Never use only one via and a trace to connect the input rail decoupling ceramic capacitors; must connect to the VIN and GND planes. |
| 5 | Place all decoupling capacitors in close proximity to the controller and the system ground plane. |
| 6 | Connect remote sense (VSEN and RGND) to the load and ceramic decoupling capacitors nodes; never run this pair below or above switching noise plane. |
| 7 | Always double check critical component pinouts and their respective footprints. |

Voltage Regulator Design Materials

To support VR design and layout, Renesas has developed a set of tools and evaluation boards listed in [Tables 14](#) and [15](#), respectively. Contact a [local office or field support](#) for the latest available information.

TABLE 14. AVAILABLE DESIGN ASSISTANCE MATERIALS

| ITEM | DESCRIPTION |
|------|---|
| 1 | SMBus/PMBus/I ² C communication tool with PowerNavigator GUI |
| 2 | Evaluation board schematics in OrCAD format and layout in allegro format. See Table 15 for details. |

TABLE 15. AVAILABLE DEMO BOARDS

| DEMO BOARD | DESCRIPTION |
|----------------------|---|
| ISL68200DEMO1Z | 17x17mm ² 1-phase, 20A solution, 400kHz, with Dual FET |
| ISL68201_99140DEMO1Z | 17x17mm ² 1-phase, 35A solution, 400kHz, with ISL99140 |

Revision History The revision history provided is for informational purposes only and is believed to be accurate, but not warranted. Please visit our website to make sure you have the latest revision.

| DATE | REVISION | CHANGE |
|--------------|----------|--|
| Jul 24, 2018 | FN8705.4 | Added column for tape and reel information and updated Note 1 in Ordering Information table on page 6. Switched the position of the natural log's numerator and denominator in Equation 10 on page 19. Removed About Intersil section and updated Renesas disclaimer. |
| Oct 17, 2017 | FN8705.3 | Updated Pin 11 and 12 descriptions on page 5. |
| Sep 25, 2017 | FN8705.2 | Applied new header/footer. Updated Related Literature section. In Figure 4 on page 10, changed VIN UVLO from "10.2V/9.24V" to "10.08V/9.12V". In Table 3 on page 11, changed the 3Fh R _{UP} value from "20" to "21.5". Updated the first paragraph on page 11. In the third paragraph on page 17, added "Ω" after "R = 348". In the sixth paragraph on page 28, changed "I _{C(P-P)} " to "I _{L(P-P)} ". In the second to last paragraph on page 28, added a closing parenthesis to "(I _{L(P-P)} to I _O)". |
| Mar 7, 2016 | FN8705.1 | Removed unreleased parts from Tables 1 and 15 |
| Mar 2, 2016 | FN8705.0 | Initial release |

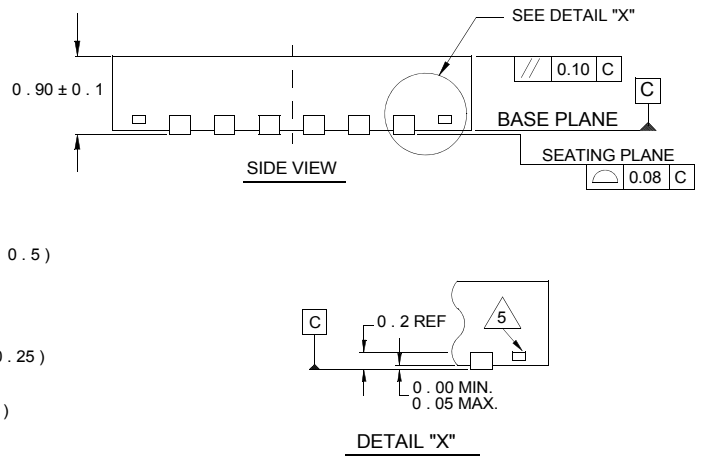
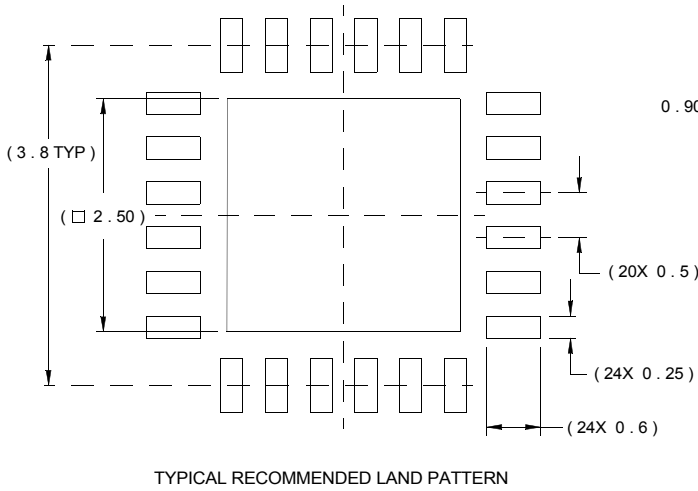
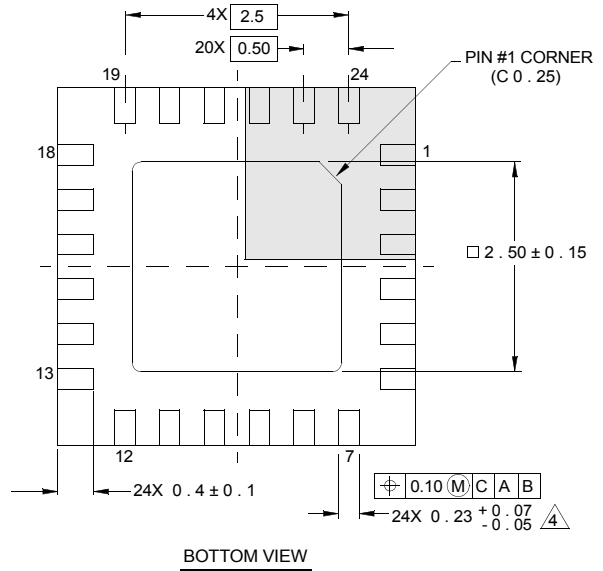
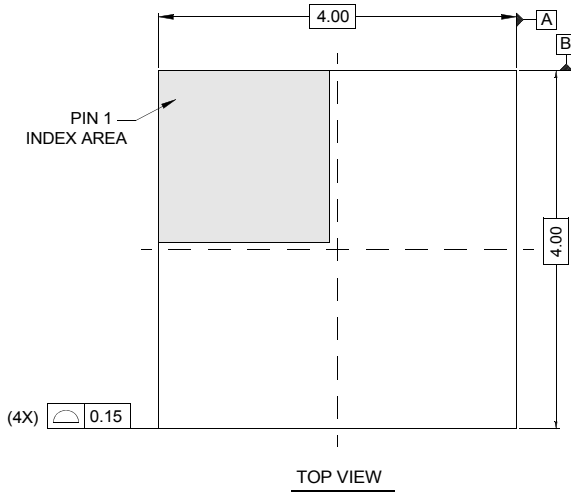
Package Outline Drawing

For the most recent package outline drawing, see [L24.4x4C](#).

L24.4x4C

24 LEAD QUAD FLAT NO-LEAD PLASTIC PACKAGE

Rev 2, 10/06



NOTES:

1. Dimensions are in millimeters.
Dimensions in () for Reference Only.
2. Dimensioning and tolerancing conform to AMSE Y14.5m-1994.
3. Unless otherwise specified, tolerance : Decimal ± 0.05
4. Dimension b applies to the metallized terminal and is measured between 0.15mm and 0.30mm from the terminal tip.
5. Tiebar shown (if present) is a non-functional feature.
6. The configuration of the pin #1 identifier is optional, but must be located within the zone indicated. The pin #1 identifier may be either a mold or mark feature.

Notice

1. Descriptions of circuits, software and other related information in this document are provided only to illustrate the operation of semiconductor products and application examples. You are fully responsible for the incorporation or any other use of the circuits, software, and information in the design of your product or system. Renesas Electronics disclaims any and all liability for any losses and damages incurred by you or third parties arising from the use of these circuits, software, or information.
2. Renesas Electronics hereby expressly disclaims any warranties against and liability for infringement or any other claims involving patents, copyrights, or other intellectual property rights of third parties, by or arising from the use of Renesas Electronics products or technical information described in this document, including but not limited to, the product data, drawings, charts, programs, algorithms, and application examples.
3. No license, express, implied or otherwise, is granted hereby under any patents, copyrights or other intellectual property rights of Renesas Electronics or others.
4. You shall not alter, modify, copy, or reverse engineer any Renesas Electronics product, whether in whole or in part. Renesas Electronics disclaims any and all liability for any losses or damages incurred by you or third parties arising from such alteration, modification, copying or reverse engineering.
5. Renesas Electronics products are classified according to the following two quality grades: "Standard" and "High Quality". The intended applications for each Renesas Electronics product depends on the product's quality grade, as indicated below.
"Standard": Computers; office equipment; communications equipment; test and measurement equipment; audio and visual equipment; home electronic appliances; machine tools; personal electronic equipment; industrial robots; etc.
"High Quality": Transportation equipment (automobiles, trains, ships, etc.); traffic control (traffic lights); large-scale communication equipment; key financial terminal systems; safety control equipment; etc.
Unless expressly designated as a high reliability product or a product for harsh environments in a Renesas Electronics data sheet or other Renesas Electronics document, Renesas Electronics products are not intended or authorized for use in products or systems that may pose a direct threat to human life or bodily injury (artificial life support devices or systems; surgical implantations; etc.), or may cause serious property damage (space system; undersea repeaters; nuclear power control systems; aircraft control systems; key plant systems; military equipment; etc.). Renesas Electronics disclaims any and all liability for any damages or losses incurred by you or any third parties arising from the use of any Renesas Electronics product that is inconsistent with any Renesas Electronics data sheet, user's manual or other Renesas Electronics document.
6. When using Renesas Electronics products, refer to the latest product information (data sheets, user's manuals, application notes, "General Notes for Handling and Using Semiconductor Devices" in the reliability handbook, etc.), and ensure that usage conditions are within the ranges specified by Renesas Electronics with respect to maximum ratings, operating power supply voltage range, heat dissipation characteristics, installation, etc. Renesas Electronics disclaims any and all liability for any malfunctions, failure or accident arising out of the use of Renesas Electronics products outside of such specified ranges.
7. Although Renesas Electronics endeavors to improve the quality and reliability of Renesas Electronics products, semiconductor products have specific characteristics, such as the occurrence of failure at a certain rate and malfunctions under certain use conditions. Unless designated as a high reliability product or a product for harsh environments in a Renesas Electronics data sheet or other Renesas Electronics document, Renesas Electronics products are not subject to radiation resistance design. You are responsible for implementing safety measures to guard against the possibility of bodily injury, injury or damage caused by fire, and/or danger to the public in the event of a failure or malfunction of Renesas Electronics products, such as safety design for hardware and software, including but not limited to redundancy, fire control and malfunction prevention, appropriate treatment for aging degradation or any other appropriate measures. Because the evaluation of microcomputer software alone is very difficult and impractical, you are responsible for evaluating the safety of the final products or systems manufactured by you.
8. Please contact a Renesas Electronics sales office for details as to environmental matters such as the environmental compatibility of each Renesas Electronics product. You are responsible for carefully and sufficiently investigating applicable laws and regulations that regulate the inclusion or use of controlled substances, including without limitation, the EU RoHS Directive, and using Renesas Electronics products in compliance with all these applicable laws and regulations. Renesas Electronics disclaims any and all liability for damages or losses occurring as a result of your noncompliance with applicable laws and regulations.
9. Renesas Electronics products and technologies shall not be used for or incorporated into any products or systems whose manufacture, use, or sale is prohibited under any applicable domestic or foreign laws or regulations. You shall comply with any applicable export control laws and regulations promulgated and administered by the governments of any countries asserting jurisdiction over the parties or transactions.
10. It is the responsibility of the buyer or distributor of Renesas Electronics products, or any other party who distributes, disposes of, or otherwise sells or transfers the product to a third party, to notify such third party in advance of the contents and conditions set forth in this document.
11. This document shall not be reprinted, reproduced or duplicated in any form, in whole or in part, without prior written consent of Renesas Electronics.
12. Please contact a Renesas Electronics sales office if you have any questions regarding the information contained in this document or Renesas Electronics products.
(Note 1) "Renesas Electronics" as used in this document means Renesas Electronics Corporation and also includes its directly or indirectly controlled subsidiaries.
(Note 2) "Renesas Electronics product(s)" means any product developed or manufactured by or for Renesas Electronics.

(Rev.4.0-1 November 2017)



SALES OFFICES

Renesas Electronics Corporation

<http://www.renesas.com>

Refer to "<http://www.renesas.com/>" for the latest and detailed information.

Renesas Electronics America Inc.
1001 Murphy Ranch Road, Milpitas, CA 95035, U.S.A.
Tel: +1-408-432-8888, Fax: +1-408-434-5351

Renesas Electronics Canada Limited
9251 Yonge Street, Suite 8309 Richmond Hill, Ontario Canada L4C 9T3
Tel: +1-905-237-2004

Renesas Electronics Europe Limited
Dukes Meadow, Millboard Road, Bourne End, Buckinghamshire, SL8 5FH, U.K
Tel: +44-1628-651-700, Fax: +44-1628-651-804

Renesas Electronics Europe GmbH
Arcadiastrasse 10, 40472 Düsseldorf, Germany
Tel: +49-211-6503-0, Fax: +49-211-6503-1327

Renesas Electronics (China) Co., Ltd.
Room 1709 Quantum Plaza, No.27 ZhichunLu, Haidian District, Beijing, 100191 P. R. China
Tel: +86-10-8235-1155, Fax: +86-10-8235-7679

Renesas Electronics (Shanghai) Co., Ltd.
Unit 301, Tower A, Central Towers, 555 Langao Road, Putuo District, Shanghai, 200333 P. R. China
Tel: +86-21-2226-0888, Fax: +86-21-2226-0999

Renesas Electronics Hong Kong Limited
Unit 1601-1611, 16/F., Tower 2, Grand Century Place, 193 Prince Edward Road West, Mongkok, Kowloon, Hong Kong
Tel: +852-2265-6688, Fax: +852-2886-9022

Renesas Electronics Taiwan Co., Ltd.
13F, No. 363, Fu Shing North Road, Taipei 10543, Taiwan
Tel: +886-2-8175-9600, Fax: +886-2-8175-9670

Renesas Electronics Singapore Pte. Ltd.
80 Bendemeer Road, Unit #06-02 Hyflux Innovation Centre, Singapore 339949
Tel: +65-6213-0200, Fax: +65-6213-0300

Renesas Electronics Malaysia Sdn.Bhd.
Unit 1207, Block B, Menara Amcorp, Amcorp Trade Centre, No. 18, Jln Persiaran Barat, 46050 Petaling Jaya, Selangor Darul Ehsan, Malaysia
Tel: +60-3-7955-9390, Fax: +60-3-7955-9510

Renesas Electronics India Pvt. Ltd.
No.777C, 100 Feet Road, HAL 2nd Stage, Indiranagar, Bangalore 560 038, India
Tel: +91-80-67208700, Fax: +91-80-67208777

Renesas Electronics Korea Co., Ltd.
17F, KAMCO Yangjae Tower, 262, Gangnam-daero, Gangnam-gu, Seoul, 06265 Korea
Tel: +82-2-558-3737, Fax: +82-2-558-5338



Компания «ЭлектроПласт» предлагает заключение долгосрочных отношений при поставках импортных электронных компонентов на взаимовыгодных условиях!

Наши преимущества:

- Оперативные поставки широкого спектра электронных компонентов отечественного и импортного производства напрямую от производителей и с крупнейших мировых складов;
- Поставка более 17-ти миллионов наименований электронных компонентов;
- Поставка сложных, дефицитных, либо снятых с производства позиций;
- Оперативные сроки поставки под заказ (от 5 рабочих дней);
- Экспресс доставка в любую точку России;
- Техническая поддержка проекта, помощь в подборе аналогов, поставка прототипов;
- Система менеджмента качества сертифицирована по Международному стандарту ISO 9001;
- Лицензия ФСБ на осуществление работ с использованием сведений, составляющих государственную тайну;
- Поставка специализированных компонентов (Xilinx, Altera, Analog Devices, Intersil, Interpoint, Microsemi, Aeroflex, Peregrine, Syfer, Eurofarad, Texas Instrument, Miteq, Cobham, E2V, MA-COM, Hittite, Mini-Circuits, General Dynamics и др.);

Помимо этого, одним из направлений компании «ЭлектроПласт» является направление «Источники питания». Мы предлагаем Вам помощь Конструкторского отдела:

- Подбор оптимального решения, техническое обоснование при выборе компонента;
- Подбор аналогов;
- Консультации по применению компонента;
- Поставка образцов и прототипов;
- Техническая поддержка проекта;
- Защита от снятия компонента с производства.



Как с нами связаться

Телефон: 8 (812) 309 58 32 (многоканальный)

Факс: 8 (812) 320-02-42

Электронная почта: org@eplast1.ru

Адрес: 198099, г. Санкт-Петербург, ул. Калинина, дом 2, корпус 4, литера А.