

**PLEASE CHECK WWW.MOLEX.COM FOR LATEST PART INFORMATION**

**Part Number:** [0761359001](#)  
**Status:** **Active**  
**Overview:** [vhdm\\_h](#)  
**Description:** 2.00mm (.079") Pitch VHDM® H Board-to-Board Backplane Header, Vertical, 8-Row, Guide Pin, Signal End Module, Open End Version, 80 Circuits, Pin Length 4.75mm (.187"), Lead Free

**Documents:**

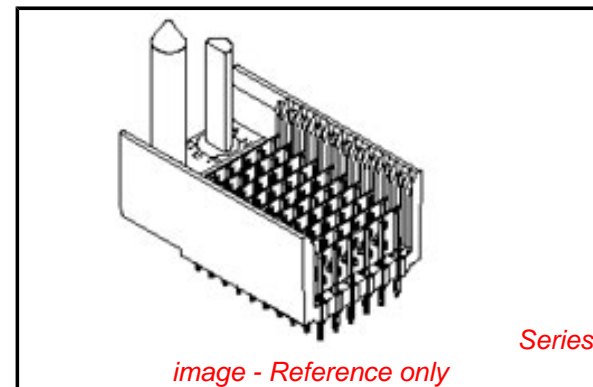
[Drawing \(PDF\)](#) [RoHS Certificate of Compliance \(PDF\)](#)  
[Product Specification PS-74031-999 \(PDF\)](#)

**General**

Product Family	Backplane Connectors
Series	<a href="#">76135</a>
Application	Backplane
Comments	No Keying Position
Component Type	PCB Header
Overview	<a href="#">vhdm_h</a>
Product Name	VHDM® - H Series
Style	N/A

**Physical**

Circuits (Loaded)	80
Circuits (maximum)	80
Color - Resin	Black
Durability (mating cycles max)	200
First Mate / Last Break	No
Guide to Mating Part	Yes
Keying to Mating Part	None
Material - Metal	Copper Alloy
Material - Plating Mating	Gold
Material - Plating Termination	Tin
Material - Resin	High Temperature Thermoplastic
Number of Columns	10
Number of Pairs	Open Pin Field
Number of Rows	8
Orientation	Vertical
PC Tail Length (in)	0.072 In
PC Tail Length (mm)	1.83 mm
PCB Locator	No
PCB Retention	None
PCB Thickness Recommended (in)	0.072 In
PCB Thickness Recommended (mm)	1.83 mm
Packaging Type	Tube
Pitch - Mating Interface (in)	0.079 In
Pitch - Mating Interface (mm)	2.00 mm
Pitch - Term. Interface (in)	0.089 In
Pitch - Term. Interface (mm)	2.25 mm
Plating min: Mating (µin)	30
Plating min: Mating (µm)	0.75
Plating min: Termination (µin)	30
Plating min: Termination (µm)	0.75
Polarized to PCB	Yes
Stackable	No
Surface Mount Compatible (SMC)	Yes
Temperature Range - Operating	-55°C to +85°C



**EU RoHS**

**ELV and RoHS Compliant**  
**REACH SVHC**  
 Not Reviewed  
**Halogen-Free Status**  
 Not Reviewed

**China RoHS**



**Need more information on product environmental compliance?**

Email [productcompliance@molex.com](mailto:productcompliance@molex.com)  
 For a multiple part number RoHS Certificate of Compliance, [click here](#)

Please visit the [Contact Us](#) section for any non-product compliance questions.

**Search Parts in this Series**

[76135Series](#)

**Application Tooling | [FAQ](#)**

*Tooling specifications and manuals are found by selecting the products below. Crimp Height Specifications are then contained in the Application Tooling Specification document.*

**Global**

Description	Product #
VHDM® Signal Pin	<a href="#">0622015700</a>
Inserter Repair Tool	
VHDM® 8 Row Pin and Shield Repair Tool	<a href="#">0622015900</a>
VHDM® 8 Row Shield Extraction Tool	<a href="#">0622016100</a>
VHDM® Insertion Module for Standard Shield Signal Header, 8 Row by	<a href="#">0622020209</a>

Termination Interface: Style

Through Hole - Compliant Pin

10 Wide, 20.00mm  
(.787")

### Electrical

Current - Maximum per Contact

1A

Data Rate

6.25 Gbps

Real Signals (per 25mm)

75

Shield Type

Ground Plane Shield

Shielded

Yes

Voltage - Maximum

120V AC (RMS)/DC

### Material Info

#### Reference - Drawing Numbers

Packaging Specification

PK-74061-003

Product Specification

PS-74031-999

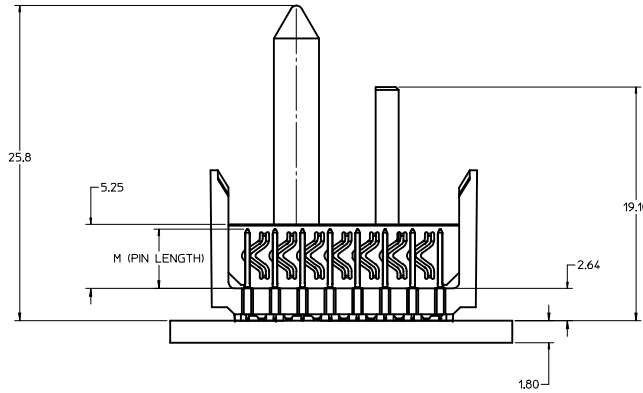
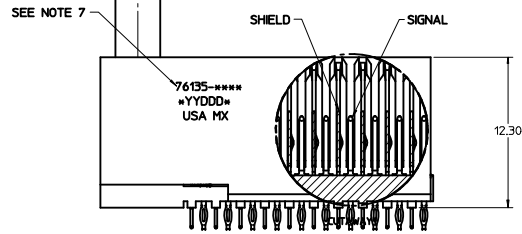
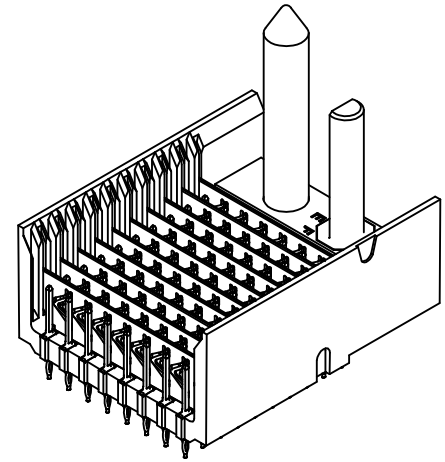
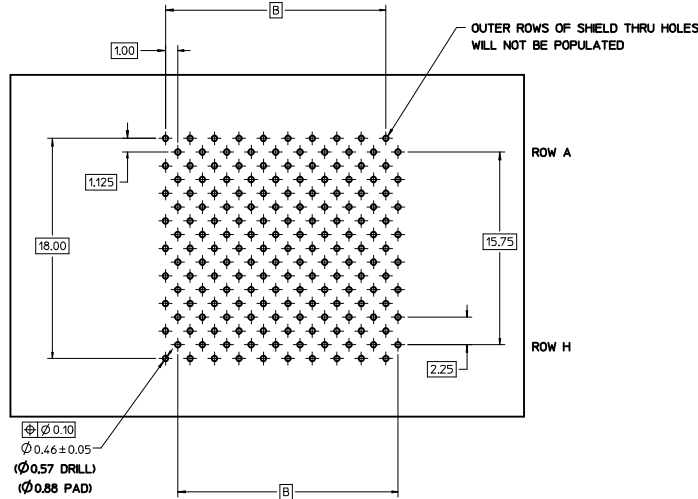
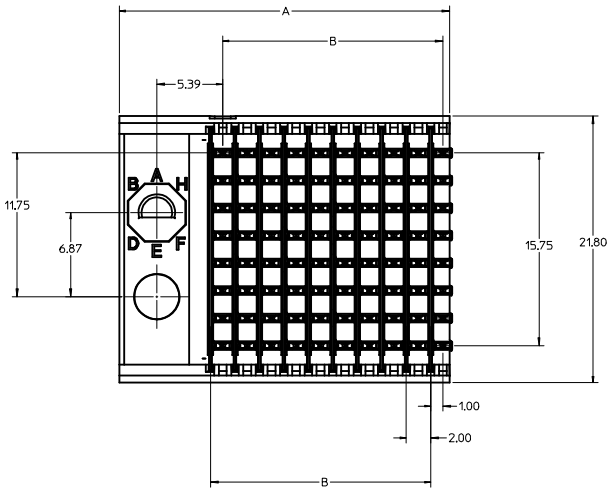
Sales Drawing

SD-76135-001

VHDM and Very High Density Metric are trademarks of Amphenol Corporation

This document was generated on 05/27/2010

**PLEASE CHECK [WWW.MOLEX.COM](http://WWW.MOLEX.COM) FOR LATEST PART INFORMATION**



- NOTES:**
- 1. MATERIALS:**  
HOUSING - LIQUID CRYSTAL POLYMER (LCP)  
GLASS FILLED, UL94V-0, BLACK  
SIGNAL PIN AND SHIELD - COPPER ALLOY
  - 2. FINISHES:**  
CONTACT AREA - SELECTIVE GOLD (Au)  
PCB TAILS - SELECTIVE TIN/LEAD (SnPb) OR MATTE TIN (Sn)
  - 3. THIS PART CONFORMS TO MOLEX PRODUCT SPECIFICATION PS-74031-999.**
  - 4. FOR MIXED CONTACT LENGTH CONTACT MOLEX FOR AVAILABILITY.**
  - 5. FOR SPECIFIC MATERIAL NUMBERS AND MATING INFORMATION REFER TO SHEET 2.**
  - 6. PACKAGE PER PK-74061-003.**
  - 7. ASSEMBLY WILL BE MARKED WITH P/N AND DATE CODE WITH LASER MARK ON SIDE OF HOUSING OR BY LABEL ON THE TUBE.**

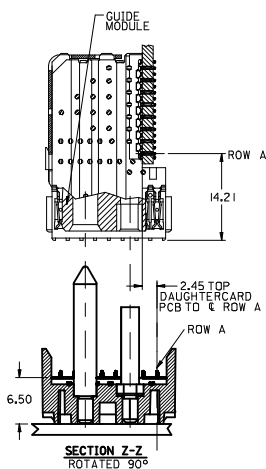
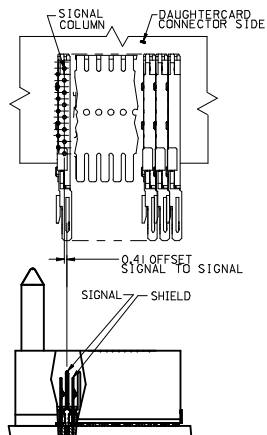
<b>INITIAL RELEASE</b> EC NO. UCF2008-2748 DRAWN: JONIAK 2008/12/01 CHYD: JONIAK 2008/12/02 APPR: JLAURY 2008/12/03	QUALITY SYMBOLS	GENERAL TOLERANCES (UNLESS SPECIFIED)	DIMENSION STYLE	SCALE	DESIGN UNITS	THIRD ANGLE PROJECTION															
	$\nabla=0$ $\nabla=0$	<table border="1"> <thead> <tr> <th></th> <th>mm</th> <th>INCH</th> </tr> </thead> <tbody> <tr> <td>4 PLACES</td> <td>±---</td> <td>±---</td> </tr> <tr> <td>3 PLACES</td> <td>±---</td> <td>±---</td> </tr> <tr> <td>2 PLACES</td> <td>±0.15</td> <td>±---</td> </tr> <tr> <td>1 PLACE</td> <td>±0.25</td> <td>±---</td> </tr> </tbody> </table>		mm	INCH	4 PLACES	±---	±---	3 PLACES	±---	±---	2 PLACES	±0.15	±---	1 PLACE	±0.25	±---	MM ONLY	5:1	METRIC	
		mm	INCH																		
4 PLACES	±---	±---																			
3 PLACES	±---	±---																			
2 PLACES	±0.15	±---																			
1 PLACE	±0.25	±---																			
DRAFT WHERE APPLICABLE MUST REMAIN WITHIN DIMENSIONS	DRAWN BY JONIAK DATE 2008/04/11 CHECKED BY BINGHAM DATE 2008/04/11 APPROVED BY BINGHAM DATE 2008/04/11	TITLE VHDM H-SERIES 8 ROW SIGNAL END BACKPLANE SALES DRAWING	MATERIAL NO. SEE PAGE 2	DOCUMENT NO. SD-76135-001	MOLEX INCORPORATED	SHEET NO. 1 OF 2															

M/N 76135-( )	---0*	---1*	---2*	---3*	---4*	---5*	---6*	---7*	---8*
KEYING PIN ORIENTATION									

76135 - \* \* \* \* \*

NUMBER OF COLUMNS/PLATING  
 10 = 10 COLUMN TIN/LEAD  
 12 = 12 COLUMN TIN/LEAD  
 25 = 25 COLUMN TIN/LEAD  
 90 = 90 COLUMN MATTE TIN  
 92 = 12 COLUMN MATTE TIN  
 85 = 25 COLUMN MATTE TIN

CONTACT LOAD  
 (PIN LENGTH)  
 1 & 6 = 4.15  
 2 & 7 = 6.25  
 3 & 8 = 4.25  
 4 & 9 = 5.15



PART NUMBER	COLUMN	NUMBER OF SIGNAL	NUMBER OF PINSHIELD	OF	A	B	M	Au (um) THICKNESS	Sn (um) THICKNESS
76135 -#0*1	10	80	10		27.00	18.00		0.76	0.76-1.52
76135 -#0*6							4.75	1.27	
76135 -#5*1	25	200	25		57.00	48.00		0.76	
76135 -#5*6								1.27	
76135 -#0*2	10	80	10		27.00	18.00		0.76	
76135 -#0*7							6.25	1.27	
76135 -#5*2	25	200	25		57.00	48.00		0.76	
76135 -#5*7								1.27	
76135 -#0*3	10	80	10		27.00	18.00		0.76	
76135 -#0*8							4.25	1.27	
76135 -#5*3	25	200	25		57.00	48.00		0.76	
76135 -#5*8								1.27	
76135 -#0*4	10	80	10		27.00	18.00		0.76	
76135 -#0*9							5.15	1.27	
76135 -#5*4	25	200	25		57.00	48.00		0.76	
76135 -#5*9								1.27	
76135 -#2*1	12	96	12		31.00	22.00	4.75	0.76	
76135 -#2*6								1.27	
76135 -#2*2	12	96	12		31.00	22.00	6.25	0.76	
76135 -#2*7								1.27	
76135 -#2*3	12	96	12		31.00	22.00	4.25	0.76	
76135 -#2*8								1.27	
76135 -#2*4	12	96	12		31.00	22.00	5.15	0.76	
76135 -#2*9								1.27	

INITIAL RELEASE IEC NO. UCF2008-2748 DRAWN: JONI AK 2008/12/01 CHKD: JONI AK 2008/12/02 APPR: JLAURY 2008/12/03	QUALITY SYMBOLS	GENERAL TOLERANCES (UNLESS SPECIFIED)	DIMENSION STYLE	SCALE	DESIGN UNITS	THIRD ANGLE PROJECTION
	▽=0 ▽=0	mm INCH 4 PLACES #--- #--- 3 PLACES #--- #--- 2 PLACES #0.15 #--- 1 PLACE #0.25 #--- ANGULAR ±1/2°	MM ONLY	1:1	METRIC	DRAWN BY DATE JONI AK 2008/04/11 CHECKED BY DATE BINGHAM 2008/04/11 APPROVED BY DATE BINGHAM 2008/04/11
	DRAFT WHERE APPLICABLE MUST REMAIN WITHIN DIMENSIONS	MATERIAL NO. SEE CHART DATE THIS DRAWING CONTAINS INFORMATION THAT IS PROPRIETARY TO MOLEX INCORPORATED AND SHOULD NOT BE USED WITHOUT WRITTEN PERMISSION	TITLE VHDM H-SERIES 8 ROW SIGNAL END BACKPLANE SALES DRAWING	MOLEX MOLEX INCORPORATED	SHEET NO. 2 OF 2	



Компания «ЭлектроПласт» предлагает заключение долгосрочных отношений при поставках импортных электронных компонентов на взаимовыгодных условиях!

Наши преимущества:

- Оперативные поставки широкого спектра электронных компонентов отечественного и импортного производства напрямую от производителей и с крупнейших мировых складов;
- Поставка более 17-ти миллионов наименований электронных компонентов;
- Поставка сложных, дефицитных, либо снятых с производства позиций;
- Оперативные сроки поставки под заказ (от 5 рабочих дней);
- Экспресс доставка в любую точку России;
- Техническая поддержка проекта, помощь в подборе аналогов, поставка прототипов;
- Система менеджмента качества сертифицирована по Международному стандарту ISO 9001;
- Лицензия ФСБ на осуществление работ с использованием сведений, составляющих государственную тайну;
- Поставка специализированных компонентов (Xilinx, Altera, Analog Devices, Intersil, Interpoint, Microsemi, Aeroflex, Peregrine, Syfer, Eurofarad, Texas Instrument, Miteq, Cobham, E2V, MA-COM, Hittite, Mini-Circuits, General Dynamics и др.);

Помимо этого, одним из направлений компании «ЭлектроПласт» является направление «Источники питания». Мы предлагаем Вам помощь Конструкторского отдела:

- Подбор оптимального решения, техническое обоснование при выборе компонента;
- Подбор аналогов;
- Консультации по применению компонента;
- Поставка образцов и прототипов;
- Техническая поддержка проекта;
- Защита от снятия компонента с производства.



#### Как с нами связаться

**Телефон:** 8 (812) 309 58 32 (многоканальный)

**Факс:** 8 (812) 320-02-42

**Электронная почта:** [org@eplast1.ru](mailto:org@eplast1.ru)

**Адрес:** 198099, г. Санкт-Петербург, ул. Калинина, дом 2, корпус 4, литера А.