

## 23 $\mu$ A, 300 kHz Zero-Drift Op Amps

### Features:

- High DC Precision:
  - $V_{OS}$  Drift:  $\pm 50$  nV/ $^{\circ}$ C (maximum)
  - $V_{OS}$ :  $\pm 8$   $\mu$ V (maximum)
  - $A_{OL}$ : 120 dB (minimum,  $V_{DD} = 5.5$ V)
  - PSRR: 120 dB (minimum,  $V_{DD} = 5.5$ V)
  - CMRR: 120 dB (minimum,  $V_{DD} = 5.5$ V)
  - $E_{ni}$ : 1.0  $\mu$ V<sub>P-P</sub> (typical),  $f = 0.1$  Hz to 10 Hz
  - $E_{ni}$ : 0.33  $\mu$ V<sub>P-P</sub> (typical),  $f = 0.01$  Hz to 1 Hz
- Low Power and Supply Voltages:
  - $I_Q$ : 23  $\mu$ A/amplifier (typical)
  - Wide Supply Voltage Range: 1.8V to 5.5V
- Small Packages:
  - Singles in SC70, SOT-23
  - Duals in MSOP-8, 2 $\times$ 3 TDFN
  - Quads in TSSOP-14
- Easy to Use:
  - Rail-to-Rail Input/Output
  - Gain Bandwidth Product: 300 kHz (typical)
  - Unity Gain Stable
- Extended Temperature Range: -40 $^{\circ}$ C to +125 $^{\circ}$ C

### Typical Applications:

- Portable Instrumentation
- Sensor Conditioning
- Temperature Measurement
- DC Offset Correction
- Medical Instrumentation

### Design Aids:

- SPICE Macro Models
- FilterLab<sup>®</sup> Software
- Microchip Advanced Part Selector (MAPS)
- Analog Demonstration and Evaluation Boards
- Application Notes

### Related Parts:

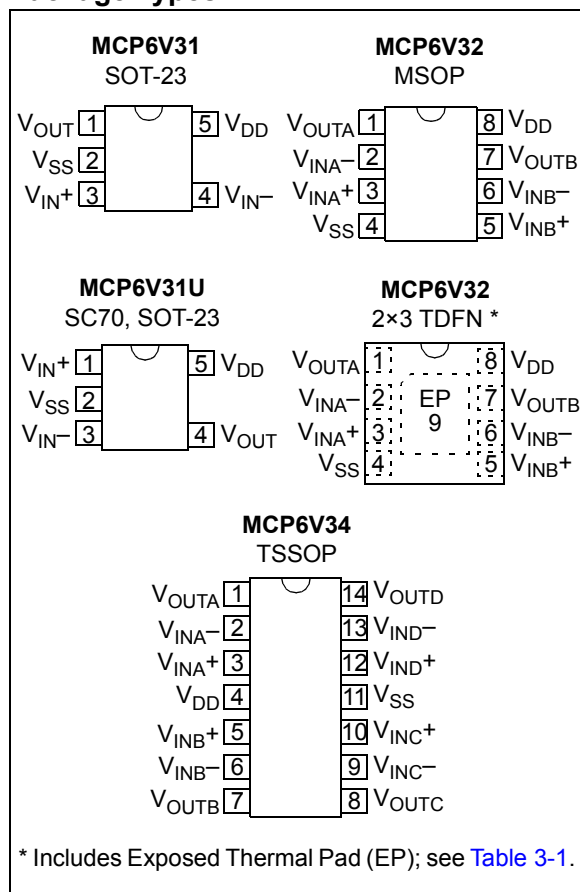
- MCP6V01/2/3: Auto-Zeroed, Spread Clock
- MCP6V06/7/8: Auto-Zeroed
- MCP6V26/7/8: Auto-Zeroed, Low Noise
- MCP6V11/1U/2/4: Zero-Drift, Low Power

### Description:

The Microchip Technology Inc. MCP6V31/1U/2/4 family of operational amplifiers provides input offset voltage correction for very low offset and offset drift. These are low-power devices, with a gain bandwidth product of 300 kHz (typical). They are unity gain stable, have virtually no 1/f noise, and have good Power Supply Rejection Ratio (PSRR) and Common Mode Rejection Ratio (CMRR). These products operate with a single supply voltage as low as 1.8V, while drawing 23  $\mu$ A/amplifier (typical) of quiescent current.

The Microchip Technology Inc. MCP6V31/1U/2/4 op amps are offered in single (MCP6V31 and MCP6V31U), dual (MCP6V32) and quad (MCP6V34) packages. They were designed using an advanced CMOS process.

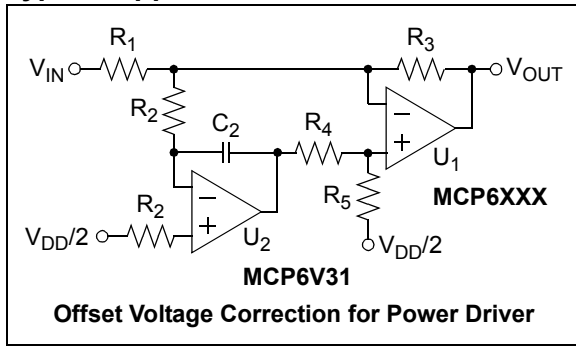
### Package Types



# MCP6V31/1U/2/4

---

## Typical Application Circuit



## 1.0 ELECTRICAL CHARACTERISTICS

### 1.1 Absolute Maximum Ratings †

$V_{DD} - V_{SS}$ .....	6.5V
Current at Input Pins .....	±2 mA
Analog Inputs ( $V_{IN+}$ and $V_{IN-}$ ) ( <b>Note 1</b> ) .....	$V_{SS} - 1.0V$ to $V_{DD} + 1.0V$
All other Inputs and Outputs .....	$V_{SS} - 0.3V$ to $V_{DD} + 0.3V$
Difference Input voltage .....	$ V_{DD} - V_{SS} $
Output Short Circuit Current .....	Continuous
Current at Output and Supply Pins .....	±30 mA
Storage Temperature .....	-65°C to +150°C
Maximum Junction Temperature .....	+150°C
ESD protection on all pins (HBM, CDM, MM) .....	≥ 2 kV, 1.5 kV, 400V

**Note 1:** See [Section 4.2.1, Rail-to-Rail Inputs](#).

† **Notice:** Stresses above those listed under “Absolute Maximum Ratings” may cause permanent damage to the device. This is a stress rating only and functional operation of the device at those or any other conditions above those indicated in the operational listings of this specification is not implied. Exposure to maximum rating conditions for extended periods may affect device reliability.

### 1.2 Specifications

**TABLE 1-1: DC ELECTRICAL SPECIFICATIONS**

<b>Electrical Characteristics:</b> Unless otherwise indicated, $T_A = +25^\circ\text{C}$ , $V_{DD} = +1.8V$ to $+5.5V$ , $V_{SS} = \text{GND}$ , $V_{CM} = V_{DD}/3$ , $V_{OUT} = V_{DD}/2$ , $V_L = V_{DD}/2$ , $R_L = 100\text{ k}\Omega$ to $V_L$ and $C_L = 20\text{ pF}$ (refer to <a href="#">Figure 1-4</a> and <a href="#">Figure 1-5</a> ).						
Parameters	Sym.	Min.	Typ.	Max.	Units	Conditions
<b>Input Offset</b>						
Input Offset Voltage	$V_{OS}$	-8	—	+8	$\mu\text{V}$	$T_A = +25^\circ\text{C}$
Input Offset Voltage Drift with Temperature (Linear Temp. Co.)	$TC_1$	-50	—	+50	$\text{nV}/^\circ\text{C}$	$T_A = -40$ to $+125^\circ\text{C}$ ( <b>Note 1</b> )
Input Offset Voltage Quadratic Temp. Co.	$TC_2$	—	±0.08	—	$\text{nV}/^\circ\text{C}^2$	$T_A = -40$ to $+125^\circ\text{C}$
Power Supply Rejection Ratio	PSRR	120	135	—	dB	
<b>Input Bias Current and Impedance</b>						
Input Bias Current	$I_B$	—	+5	—	pA	
Input Bias Current across Temperature	$I_B$	—	+20	—	pA	$T_A = +85^\circ\text{C}$
	$I_B$	0	+2.9	+5	nA	$T_A = +125^\circ\text{C}$
Input Offset Current	$I_{OS}$	—	±130	—	pA	
Input Offset Current across Temperature	$I_{OS}$	—	±140	—	pA	$T_A = +85^\circ\text{C}$
	$I_{OS}$	-1	±0.4	+1	nA	$T_A = +125^\circ\text{C}$
Common Mode Input Impedance	$Z_{CM}$	—	$10^{13}  6$	—	$\Omega  \text{pF}$	
Differential Input Impedance	$Z_{DIFF}$	—	$10^{13}  6$	—	$\Omega  \text{pF}$	

**Note 1:** For Design Guidance only; not tested.

**2:** [Figure 2-18](#) shows how  $V_{CML}$  and  $V_{CMH}$  changed across temperature for the first production lot.

# MCP6V31/1U/2/4

**TABLE 1-1: DC ELECTRICAL SPECIFICATIONS (CONTINUED)**

<b>Electrical Characteristics:</b> Unless otherwise indicated, $T_A = +25^\circ\text{C}$ , $V_{DD} = +1.8\text{V}$ to $+5.5\text{V}$ , $V_{SS} = \text{GND}$ , $V_{CM} = V_{DD}/3$ , $V_{OUT} = V_{DD}/2$ , $V_L = V_{DD}/2$ , $R_L = 100\text{ k}\Omega$ to $V_L$ and $C_L = 20\text{ pF}$ (refer to <a href="#">Figure 1-4</a> and <a href="#">Figure 1-5</a> ).						
Parameters	Sym.	Min.	Typ.	Max.	Units	Conditions
<b>Common Mode</b>						
Common Mode Input Voltage Range Low	$V_{CML}$	—	—	$V_{SS} - 0.15$	V	(Note 2)
Common Mode Input Voltage Range High	$V_{CMH}$	$V_{DD} + 0.2$	—	—	V	(Note 2)
Common Mode Rejection Ratio	CMRR	110	125	—	dB	$V_{DD} = 1.8\text{V}$ , $V_{CM} = -0.15\text{V}$ to $2.0\text{V}$ (Note 2)
	CMRR	120	135	—	dB	$V_{DD} = 5.5\text{V}$ , $V_{CM} = -0.15\text{V}$ to $5.7\text{V}$ (Note 2)
<b>Open-Loop Gain</b>						
DC Open-Loop Gain (large signal)	$A_{OL}$	103	125	—	dB	$V_{DD} = 1.8\text{V}$ , $V_{OUT} = 0.3\text{V}$ to $1.6\text{V}$
	$A_{OL}$	120	135	—	dB	$V_{DD} = 5.5\text{V}$ , $V_{OUT} = 0.3\text{V}$ to $5.3\text{V}$
<b>Output</b>						
Minimum Output Voltage Swing	$V_{OL}$	$V_{SS}$	$V_{SS} + 14$	$V_{SS} + 45$	mV	$R_L = 10\text{ k}\Omega$ , $G = +2$ , 0.5V input overdrive
	$V_{OL}$	—	$V_{SS} + 1.4$	—	mV	$R_L = 100\text{ k}\Omega$ , $G = +2$ , 0.5V input overdrive
Maximum Output Voltage Swing	$V_{OH}$	$V_{DD} - 45$	$V_{DD} - 14$	$V_{DD}$	mV	$R_L = 10\text{ k}\Omega$ , $G = +2$ , 0.5V input overdrive
	$V_{OH}$	—	$V_{DD} - 1.4$	—	mV	$R_L = 100\text{ k}\Omega$ , $G = +2$ , 0.5V input overdrive
Output Short Circuit Current	$I_{SC}$	—	$\pm 6$	—	mA	$V_{DD} = 1.8\text{V}$
	$I_{SC}$	—	$\pm 21$	—	mA	$V_{DD} = 5.5\text{V}$
<b>Power Supply</b>						
Supply Voltage	$V_{DD}$	1.8	—	5.5	V	
Quiescent Current per amplifier	$I_Q$	12	23	34	$\mu\text{A}$	$I_O = 0$ , <b>MCP6V31/1U</b>
		10	21	34		$I_O = 0$ , <b>MCP6V32/4</b>
POR Trip Voltage	$V_{POR}$	0.9	—	1.6	V	

**Note 1:** For Design Guidance only; not tested.

**2:** [Figure 2-18](#) shows how  $V_{CML}$  and  $V_{CMH}$  changed across temperature for the first production lot.

**TABLE 1-2: AC ELECTRICAL SPECIFICATIONS**

**Electrical Characteristics:** Unless otherwise indicated,  $T_A = +25^\circ\text{C}$ ,  $V_{DD} = +1.8\text{V}$  to  $+5.5\text{V}$ ,  $V_{SS} = \text{GND}$ ,  $V_{CM} = V_{DD}/3$ ,  $V_{OUT} = V_{DD}/2$ ,  $V_L = V_{DD}/2$ ,  $R_L = 100\text{ k}\Omega$  to  $V_L$  and  $C_L = 20\text{ pF}$  (refer to [Figure 1-4](#) and [Figure 1-5](#)).

Parameters	Sym.	Min.	Typ.	Max.	Units	Conditions
<b>Amplifier AC Response</b>						
Gain Bandwidth Product	GBWP	—	300	—	kHz	
Slew Rate	SR	—	0.13	—	V/ $\mu\text{s}$	
Phase Margin	PM	—	70	—	$^\circ$	G = +1
<b>Amplifier Noise Response</b>						
Input Noise Voltage	$E_{ni}$	—	0.33	—	$\mu\text{V}_{P-P}$	f = 0.01 Hz to 1 Hz
	$E_{ni}$	—	1.0	—	$\mu\text{V}_{P-P}$	f = 0.1 Hz to 10 Hz
Input Noise Voltage Density	$e_{ni}$	—	50	—	nV/ $\sqrt{\text{Hz}}$	f < 2 kHz
Input Noise Current Density	$i_{ni}$	—	5	—	fA/ $\sqrt{\text{Hz}}$	
<b>Amplifier Distortion (Note 1)</b>						
Intermodulation Distortion (AC)	IMD	—	52	—	$\mu\text{V}_{PK}$	$V_{CM}$ tone = 50 mV $_{PK}$ at 100 Hz, $G_N = 1$
<b>Amplifier Step Response</b>						
Start Up Time	$t_{STR}$	—	2	—	ms	G = +1, 0.1% $V_{OUT}$ settling ( <a href="#">Note 2</a> )
Offset Correction Settling Time	$t_{STL}$	—	100	—	$\mu\text{s}$	G = +1, $V_{IN}$ step of 2V, $V_{OS}$ within 100 $\mu\text{V}$ of its final value
Output Overdrive Recovery Time	$t_{ODR}$	—	120	—	$\mu\text{s}$	G = -10, $\pm 0.5\text{V}$ input overdrive to $V_{DD}/2$ , $V_{IN}$ 50% point to $V_{OUT}$ 90% point ( <a href="#">Note 3</a> )

- Note 1:** These parameters were characterized using the circuit in [Figure 1-6](#). In [Figure 2-37](#) and [Figure 2-38](#), there is an IMD tone at DC, a residual tone at 100 Hz and other IMD tones and clock tones.
- 2:** High gains behave differently; see [Section 4.3.3, Offset at Power Up](#).
- 3:**  $t_{ODR}$  includes some uncertainty due to clock edge timing.

**TABLE 1-3: TEMPERATURE SPECIFICATIONS**

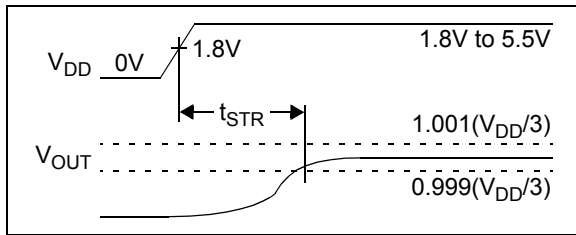
**Electrical Characteristics:** Unless otherwise indicated, all limits are specified for:  $V_{DD} = +1.8\text{V}$  to  $+5.5\text{V}$ ,  $V_{SS} = \text{GND}$ .

Parameters	Sym.	Min.	Typ.	Max.	Units	Conditions
<b>Temperature Ranges</b>						
Specified Temperature Range	$T_A$	-40	—	+125	$^\circ\text{C}$	
Operating Temperature Range	$T_A$	-40	—	+125	$^\circ\text{C}$	( <a href="#">Note 1</a> )
Storage Temperature Range	$T_A$	-65	—	+150	$^\circ\text{C}$	
<b>Thermal Package Resistances</b>						
Thermal Resistance, 5L-SC-70	$\theta_{JA}$	—	209	—	$^\circ\text{C/W}$	
Thermal Resistance, 5L-SOT-23	$\theta_{JA}$	—	201	—	$^\circ\text{C/W}$	
Thermal Resistance, 8L-2x3 TDFN	$\theta_{JA}$	—	53	—	$^\circ\text{C/W}$	
Thermal Resistance, 8L-MSOP	$\theta_{JA}$	—	211	—	$^\circ\text{C/W}$	
Thermal Resistance, 14L-TSSOP	$\theta_{JA}$	—	100	—	$^\circ\text{C/W}$	

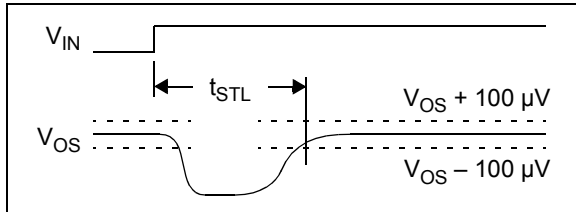
- Note 1:** Operation must not cause  $T_J$  to exceed Maximum Junction Temperature specification ( $+150^\circ\text{C}$ ).

# MCP6V31/1U/2/4

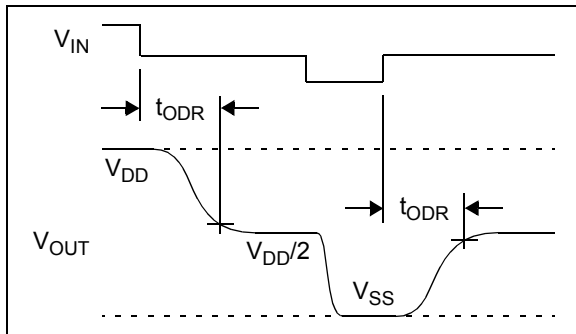
## 1.3 Timing Diagrams



**FIGURE 1-1:** Amplifier Start Up.



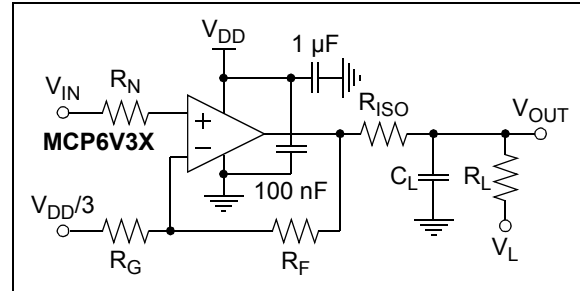
**FIGURE 1-2:** Offset Correction Settling Time.



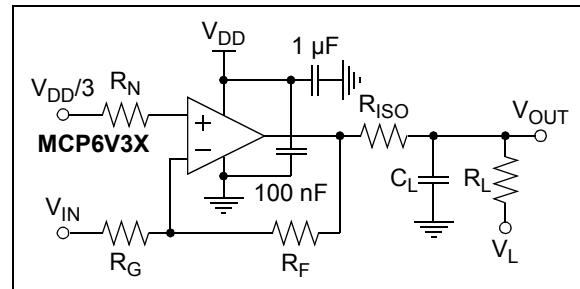
**FIGURE 1-3:** Output Overdrive Recovery.

## 1.4 Test Circuits

The circuits used for most DC and AC tests are shown in [Figure 1-4](#) and [Figure 1-5](#). Lay the bypass capacitors out as discussed in [Section 4.3.10 “Supply Bypassing and Filtering”](#).  $R_N$  is equal to the parallel combination of  $R_F$  and  $R_G$  to minimize bias current effects.

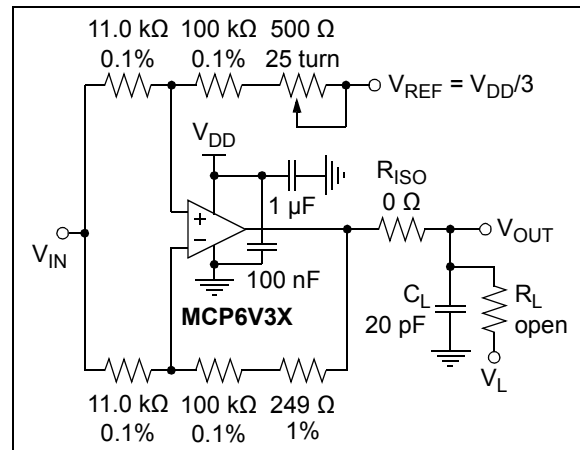


**FIGURE 1-4:** AC and DC Test Circuit for Most Non-Inverting Gain Conditions.



**FIGURE 1-5:** AC and DC Test Circuit for Most Inverting Gain Conditions.

The circuit in [Figure 1-6](#) tests the input's dynamic behavior (i.e., IMD,  $t_{STR}$ ,  $t_{STL}$  and  $t_{ODR}$ ). The potentiometer balances the resistor network ( $V_{OUT}$  should equal  $V_{REF}$  at DC). The op amp's Common mode input voltage is  $V_{CM} = V_{IN}/2$ . The error at the input ( $V_{ERR}$ ) appears at  $V_{OUT}$  with a noise gain of 10 V/V.



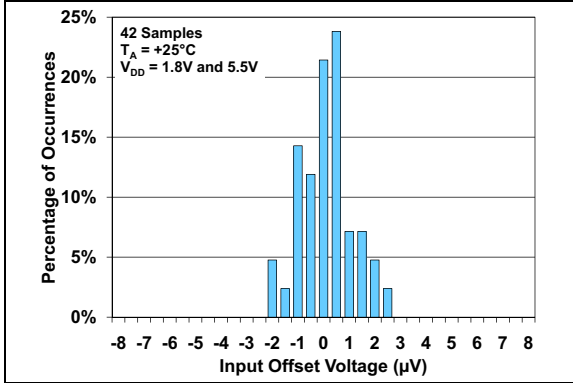
**FIGURE 1-6:** Test Circuit for Dynamic Input Behavior.

## 2.0 TYPICAL PERFORMANCE CURVES

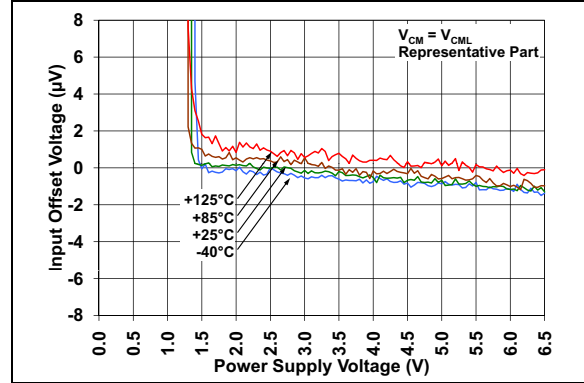
**Note:** The graphs and tables provided following this note are a statistical summary based on a limited number of samples and are provided for informational purposes only. The performance characteristics listed herein are not tested or guaranteed. In some graphs or tables, the data presented may be outside the specified operating range (e.g., outside specified power supply range) and therefore outside the warranted range.

**Note:** Unless otherwise indicated,  $T_A = +25^\circ\text{C}$ ,  $V_{DD} = +1.8\text{V}$  to  $5.5\text{V}$ ,  $V_{SS} = \text{GND}$ ,  $V_{CM} = V_{DD}/3$ ,  $V_{OUT} = V_{DD}/2$ ,  $V_L = V_{DD}/2$ ,  $R_L = 100\text{ k}\Omega$  to  $V_L$  and  $C_L = 20\text{ pF}$ .

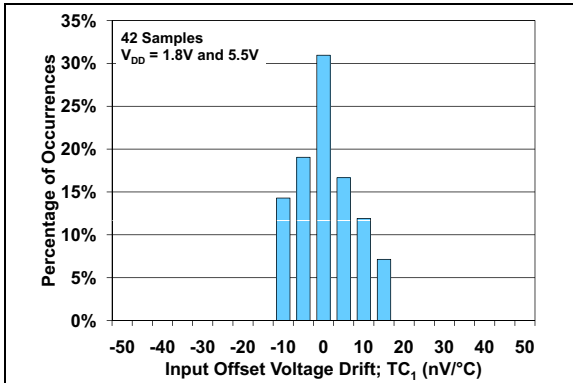
### 2.1 DC Input Precision



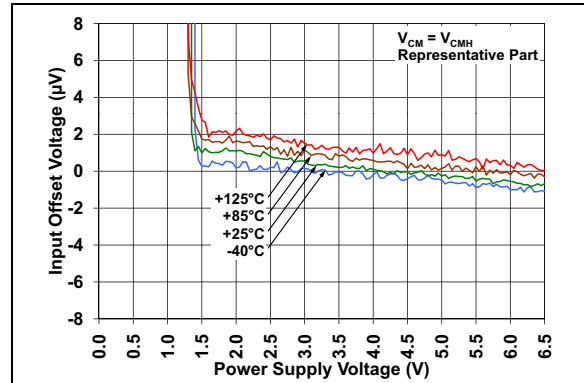
**FIGURE 2-1:** Input Offset Voltage.



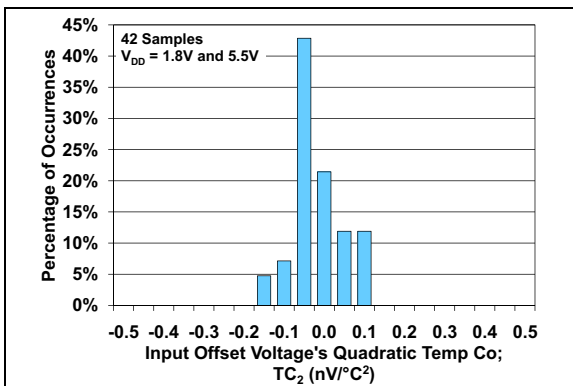
**FIGURE 2-4:** Input Offset Voltage vs. Power Supply Voltage with  $V_{CM} = V_{CML}$ .



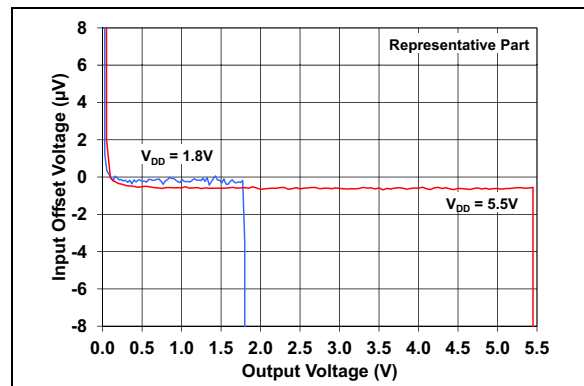
**FIGURE 2-2:** Input Offset Voltage Drift.



**FIGURE 2-5:** Input Offset Voltage vs. Power Supply Voltage with  $V_{CM} = V_{CMH}$ .



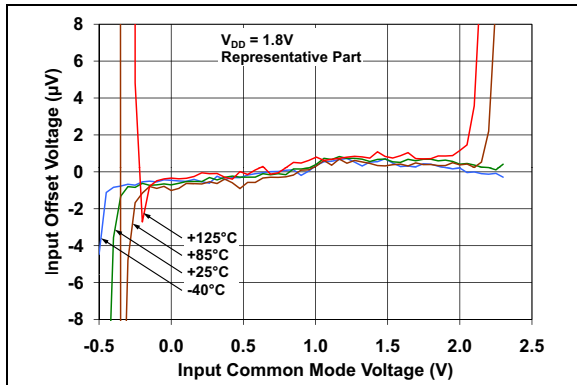
**FIGURE 2-3:** Input Offset Voltage Quadratic Temp. Co.



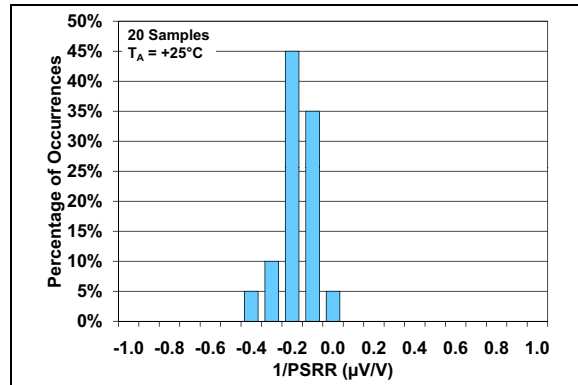
**FIGURE 2-6:** Input Offset Voltage vs. Output Voltage.

# MCP6V31/1U/2/4

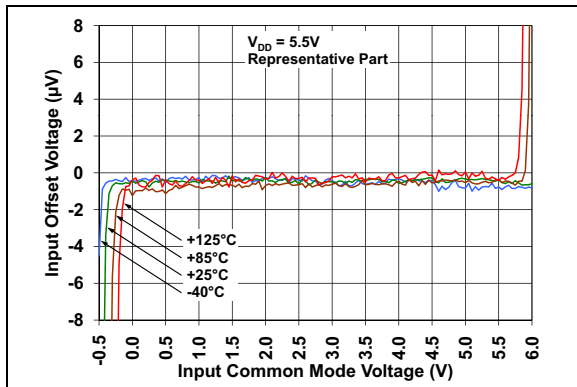
**Note:** Unless otherwise indicated,  $T_A = +25^\circ\text{C}$ ,  $V_{DD} = +1.8\text{V}$  to  $5.5\text{V}$ ,  $V_{SS} = \text{GND}$ ,  $V_{CM} = V_{DD}/3$ ,  $V_{OUT} = V_{DD}/2$ ,  $V_L = V_{DD}/2$ ,  $R_L = 100\text{ k}\Omega$  to  $V_L$  and  $C_L = 20\text{ pF}$ .



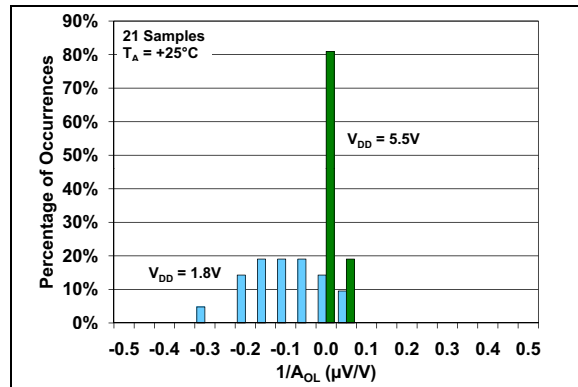
**FIGURE 2-7:** Input Offset Voltage vs. Common Mode Voltage with  $V_{DD} = 1.8\text{V}$ .



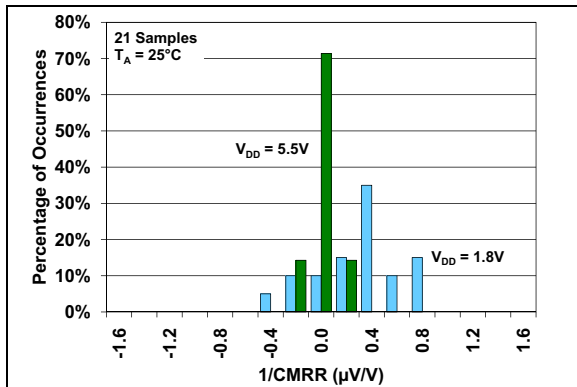
**FIGURE 2-10:** PSRR.



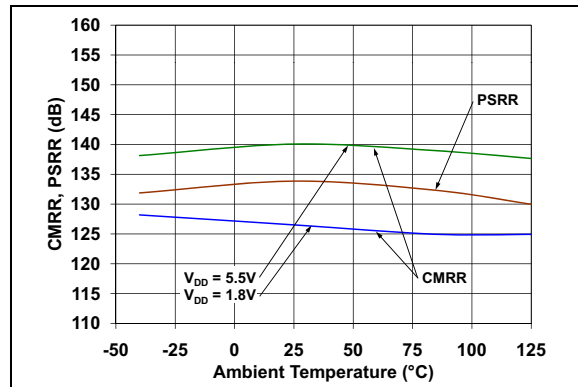
**FIGURE 2-8:** Input Offset Voltage vs. Common Mode Voltage with  $V_{DD} = 5.5\text{V}$ .



**FIGURE 2-11:** DC Open-Loop Gain.



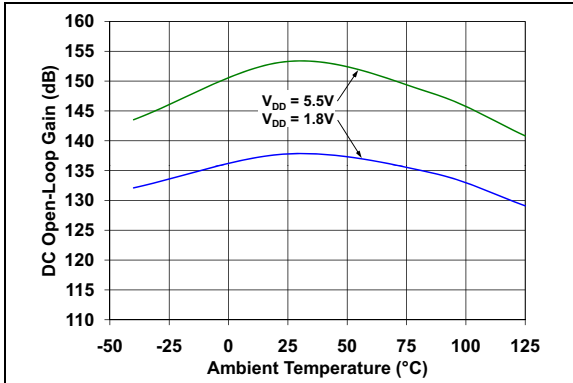
**FIGURE 2-9:** CMRR.



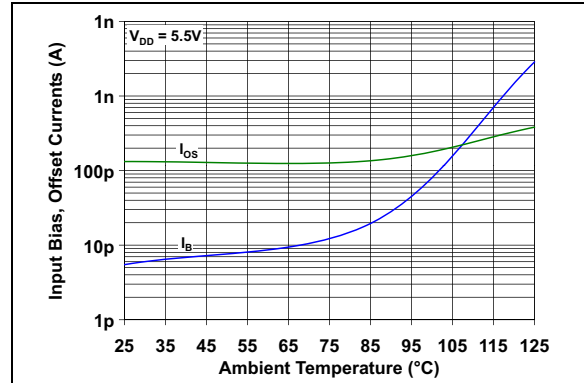
**FIGURE 2-12:** CMRR and PSRR vs. Ambient Temperature.



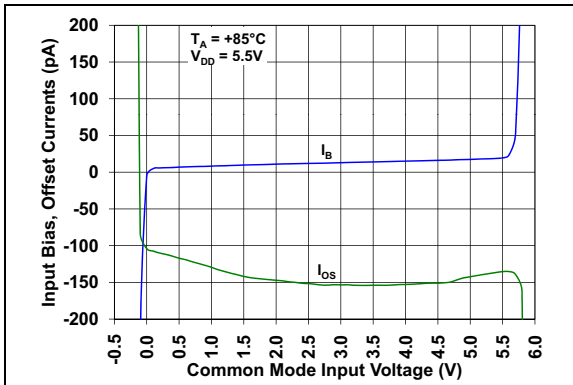
**Note:** Unless otherwise indicated,  $T_A = +25^\circ\text{C}$ ,  $V_{DD} = +1.8\text{V}$  to  $5.5\text{V}$ ,  $V_{SS} = \text{GND}$ ,  $V_{CM} = V_{DD}/3$ ,  $V_{OUT} = V_{DD}/2$ ,  $V_L = V_{DD}/2$ ,  $R_L = 100\text{ k}\Omega$  to  $V_L$  and  $C_L = 20\text{ pF}$ .



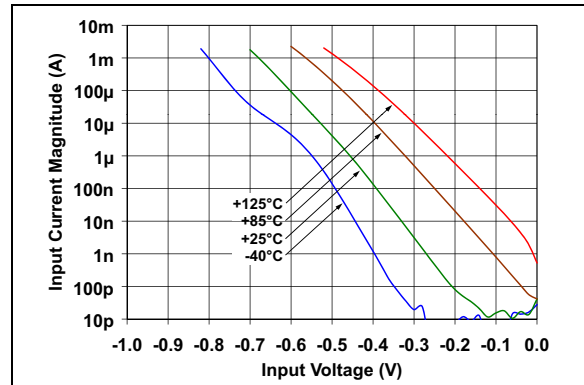
**FIGURE 2-13:** DC Open-Loop Gain vs. Ambient Temperature.



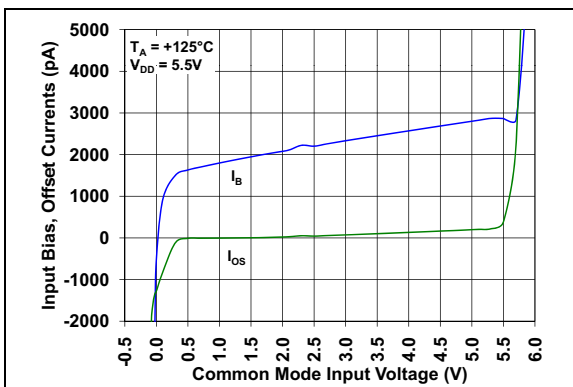
**FIGURE 2-16:** Input Bias and Offset Currents vs. Ambient Temperature with  $V_{DD} = +5.5\text{V}$ .



**FIGURE 2-14:** Input Bias and Offset Currents vs. Common Mode Input Voltage with  $T_A = +85^\circ\text{C}$ .



**FIGURE 2-17:** Input Bias Current vs. Input Voltage (below  $V_{SS}$ ).

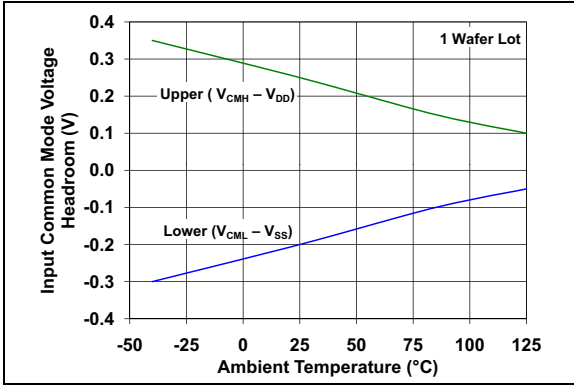


**FIGURE 2-15:** Input Bias and Offset Currents vs. Common Mode Input Voltage with  $T_A = +125^\circ\text{C}$ .

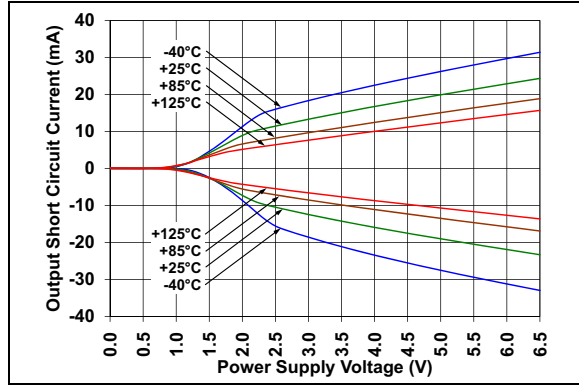
# MCP6V31/1U/2/4

**Note:** Unless otherwise indicated,  $T_A = +25^\circ\text{C}$ ,  $V_{DD} = +1.8\text{V}$  to  $5.5\text{V}$ ,  $V_{SS} = \text{GND}$ ,  $V_{CM} = V_{DD}/3$ ,  $V_{OUT} = V_{DD}/2$ ,  $V_L = V_{DD}/2$ ,  $R_L = 100\text{ k}\Omega$  to  $V_L$  and  $C_L = 20\text{ pF}$ .

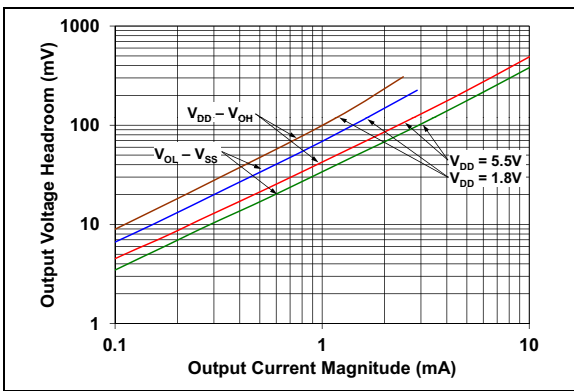
## 2.2 Other DC Voltages and Currents



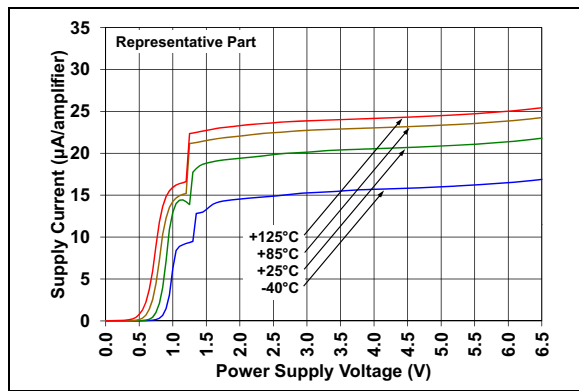
**FIGURE 2-18:** Input Common Mode Voltage Headroom (Range) vs. Ambient Temperature.



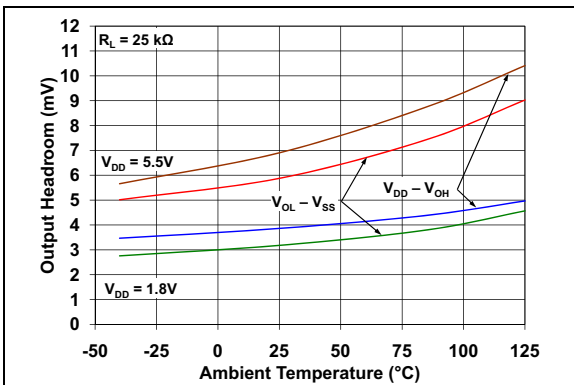
**FIGURE 2-21:** Output Short Circuit Current vs. Power Supply Voltage.



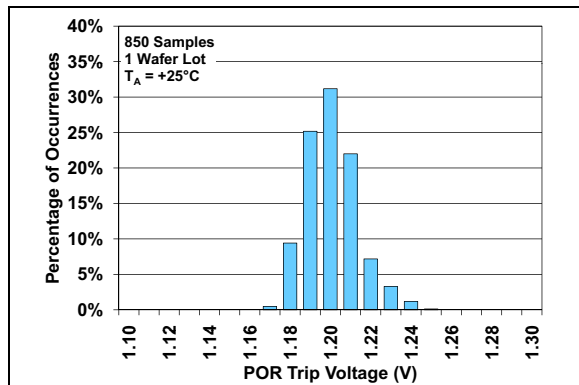
**FIGURE 2-19:** Output Voltage Headroom vs. Output Current.



**FIGURE 2-22:** Supply Current vs. Power Supply Voltage.

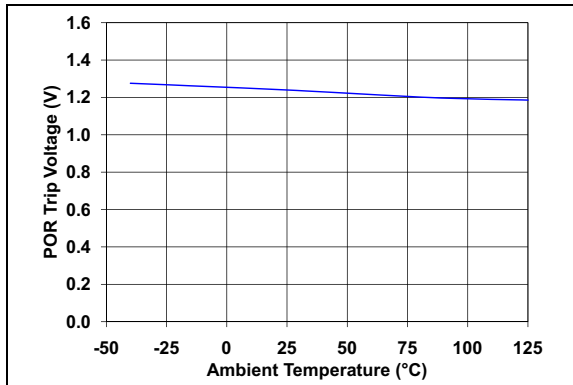


**FIGURE 2-20:** Output Voltage Headroom vs. Ambient Temperature.



**FIGURE 2-23:** Power-on Reset Trip Voltage.

**Note:** Unless otherwise indicated,  $T_A = +25^\circ\text{C}$ ,  $V_{DD} = +1.8\text{V}$  to  $5.5\text{V}$ ,  $V_{SS} = \text{GND}$ ,  $V_{CM} = V_{DD}/3$ ,  $V_{OUT} = V_{DD}/2$ ,  $V_L = V_{DD}/2$ ,  $R_L = 100\text{ k}\Omega$  to  $V_L$  and  $C_L = 20\text{ pF}$ .

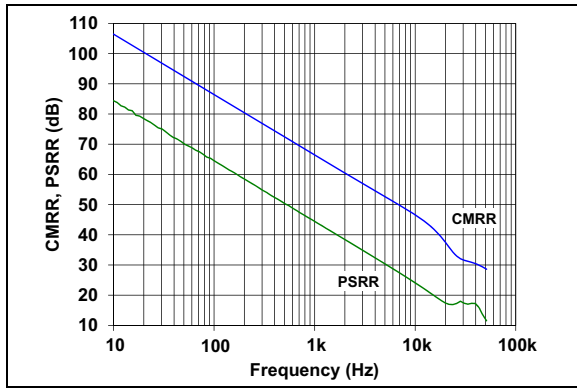


**FIGURE 2-24:** Power-on Reset Voltage vs. Ambient Temperature.

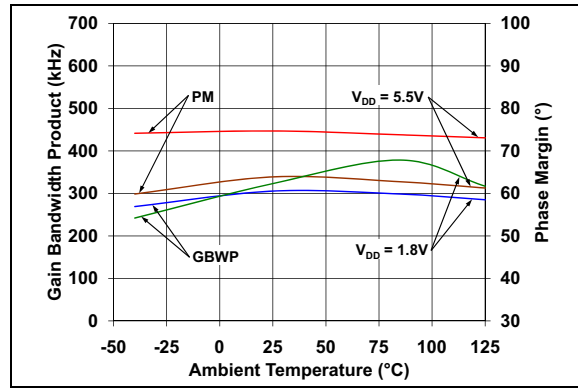
# MCP6V31/1U/2/4

**Note:** Unless otherwise indicated,  $T_A = +25^\circ\text{C}$ ,  $V_{DD} = +1.8\text{V}$  to  $5.5\text{V}$ ,  $V_{SS} = \text{GND}$ ,  $V_{CM} = V_{DD}/3$ ,  $V_{OUT} = V_{DD}/2$ ,  $V_L = V_{DD}/2$ ,  $R_L = 100\text{ k}\Omega$  to  $V_L$  and  $C_L = 20\text{ pF}$ .

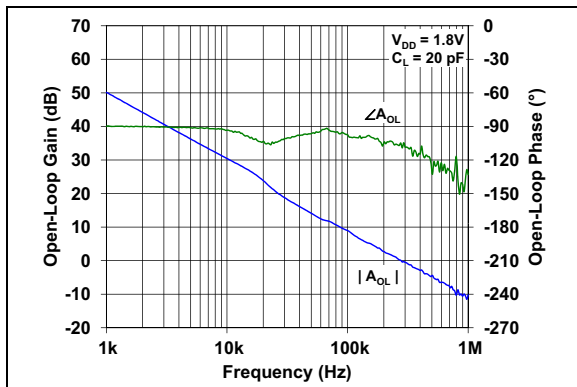
## 2.3 Frequency Response



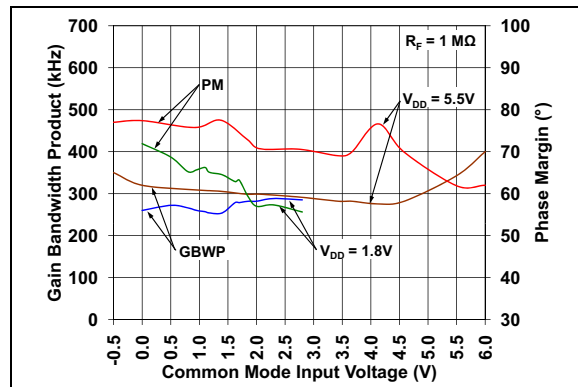
**FIGURE 2-25:** CMRR and PSRR vs. Frequency.



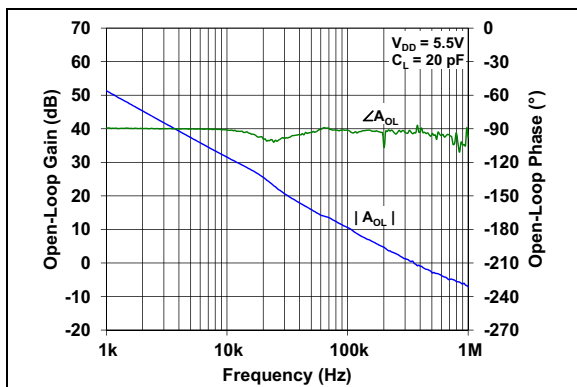
**FIGURE 2-28:** Gain Bandwidth Product and Phase Margin vs. Ambient Temperature.



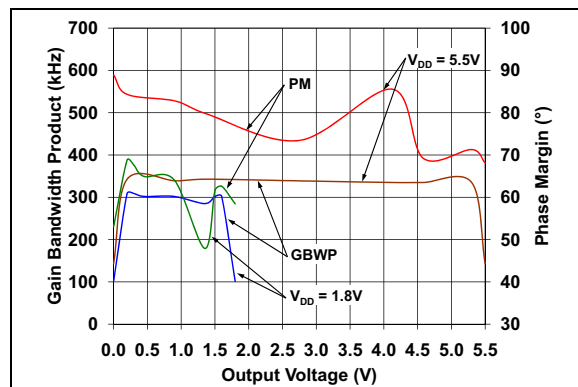
**FIGURE 2-26:** Open-Loop Gain vs. Frequency with  $V_{DD} = 1.8\text{V}$ .



**FIGURE 2-29:** Gain Bandwidth Product and Phase Margin vs. Common Mode Input Voltage.

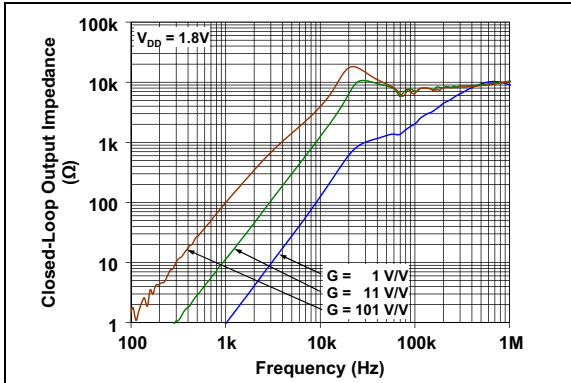


**FIGURE 2-27:** Open-Loop Gain vs. Frequency with  $V_{DD} = 5.5\text{V}$ .

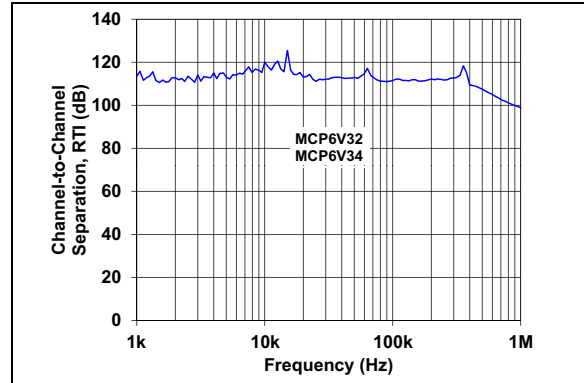


**FIGURE 2-30:** Gain Bandwidth Product and Phase Margin vs. Output Voltage.

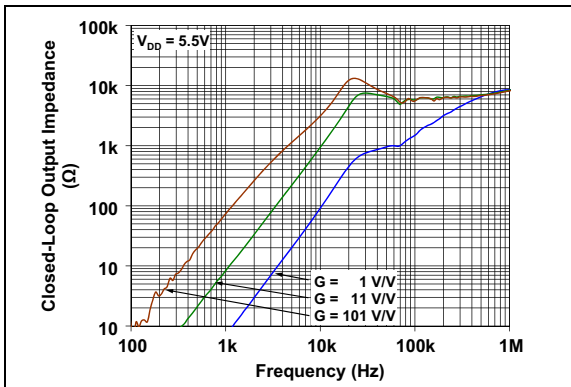
**Note:** Unless otherwise indicated,  $T_A = +25^\circ\text{C}$ ,  $V_{DD} = +1.8\text{V}$  to  $5.5\text{V}$ ,  $V_{SS} = \text{GND}$ ,  $V_{CM} = V_{DD}/3$ ,  $V_{OUT} = V_{DD}/2$ ,  $V_L = V_{DD}/2$ ,  $R_L = 100\text{ k}\Omega$  to  $V_L$  and  $C_L = 20\text{ pF}$ .



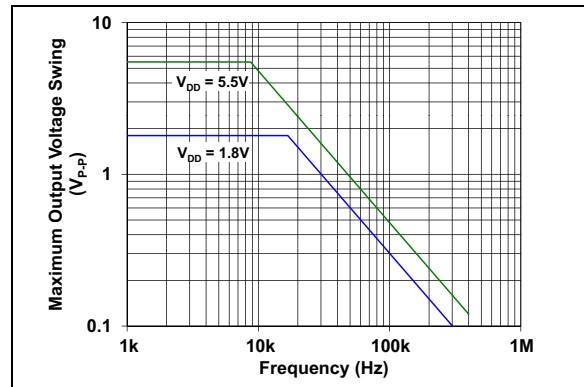
**FIGURE 2-31:** Closed-Loop Output Impedance vs. Frequency with  $V_{DD} = 1.8\text{V}$ .



**FIGURE 2-33:** Channel-to-Channel Separation vs. Frequency.



**FIGURE 2-32:** Closed-Loop Output Impedance vs. Frequency with  $V_{DD} = 5.5\text{V}$ .

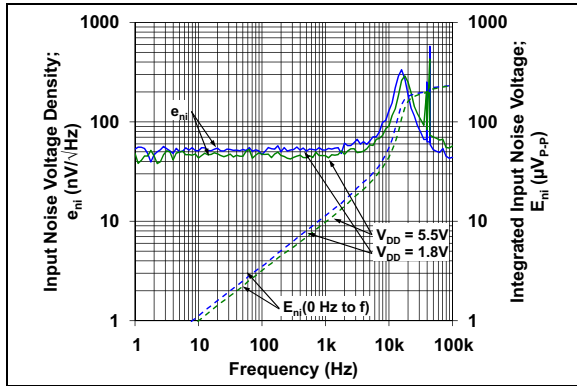


**FIGURE 2-34:** Maximum Output Voltage Swing vs. Frequency.

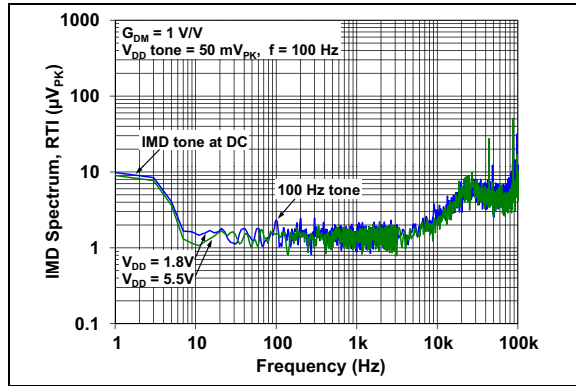
# MCP6V31/1U/2/4

**Note:** Unless otherwise indicated,  $T_A = +25^\circ\text{C}$ ,  $V_{DD} = +1.8\text{V}$  to  $5.5\text{V}$ ,  $V_{SS} = \text{GND}$ ,  $V_{CM} = V_{DD}/3$ ,  $V_{OUT} = V_{DD}/2$ ,  $V_L = V_{DD}/2$ ,  $R_L = 100\text{ k}\Omega$  to  $V_L$  and  $C_L = 20\text{ pF}$ .

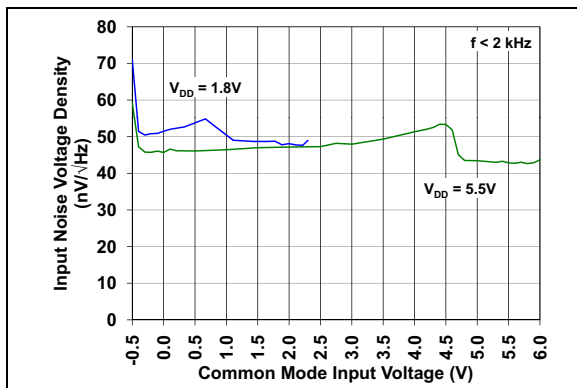
## 2.4 Input Noise and Distortion



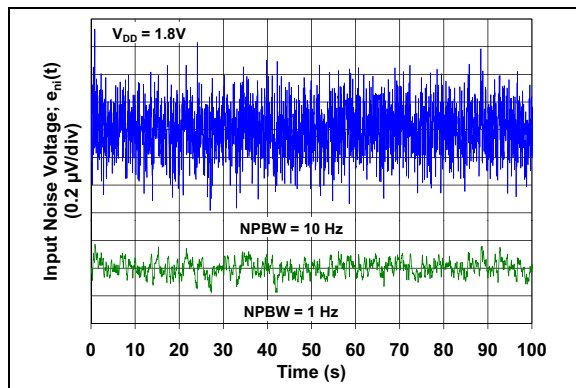
**FIGURE 2-35:** Input Noise Voltage Density and Integrated Input Noise Voltage vs. Frequency.



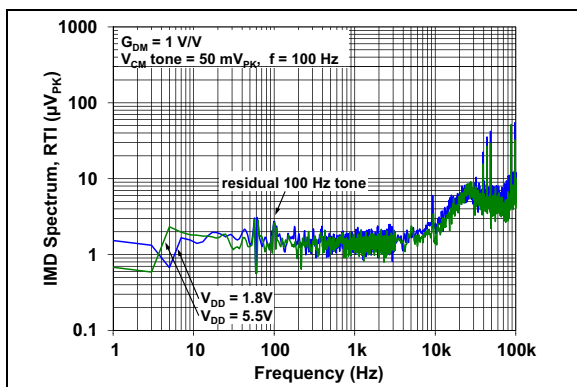
**FIGURE 2-38:** Inter-Modulation Distortion vs. Frequency with  $V_{DD}$  Disturbance (see Figure 1-6).



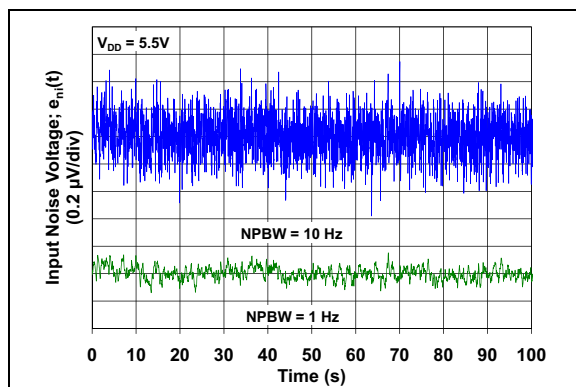
**FIGURE 2-36:** Input Noise Voltage Density vs. Input Common Mode Voltage.



**FIGURE 2-39:** Input Noise vs. Time with 1 Hz and 10 Hz Filters and  $V_{DD} = 1.8\text{V}$ .



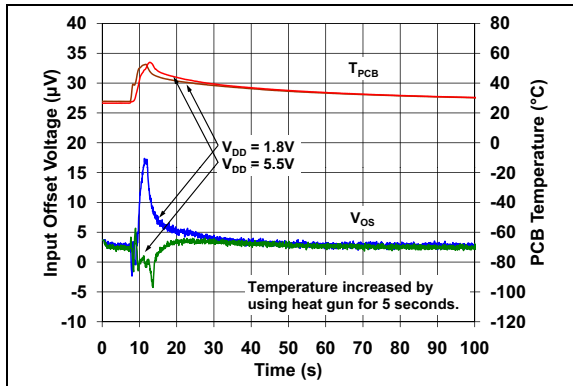
**FIGURE 2-37:** Inter-Modulation Distortion vs. Frequency with  $V_{CM}$  Disturbance (see Figure 1-6).



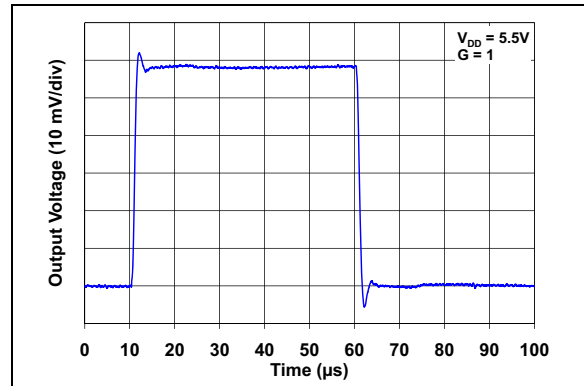
**FIGURE 2-40:** Input Noise vs. Time with 1 Hz and 10 Hz Filters and  $V_{DD} = 5.5\text{V}$ .

**Note:** Unless otherwise indicated,  $T_A = +25^\circ\text{C}$ ,  $V_{DD} = +1.8\text{V}$  to  $5.5\text{V}$ ,  $V_{SS} = \text{GND}$ ,  $V_{CM} = V_{DD}/3$ ,  $V_{OUT} = V_{DD}/2$ ,  $V_L = V_{DD}/2$ ,  $R_L = 100\text{ k}\Omega$  to  $V_L$  and  $C_L = 20\text{ pF}$ .

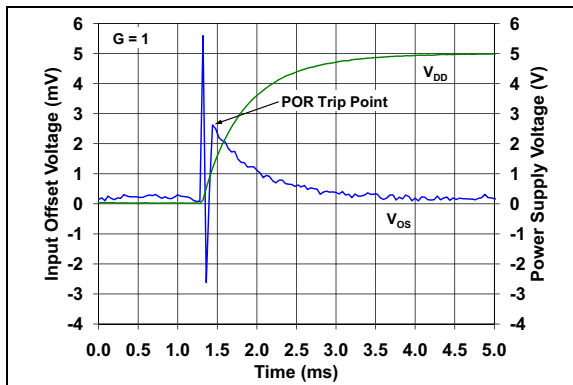
## 2.5 Time Response



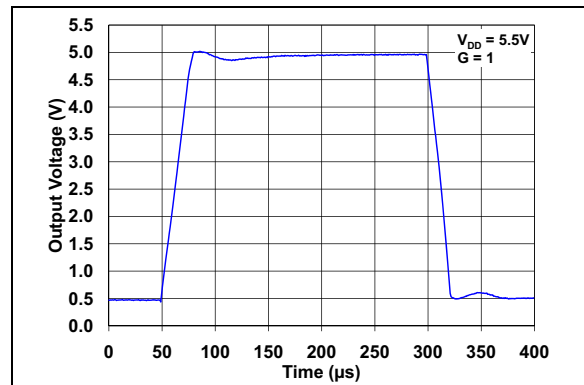
**FIGURE 2-41:** Input Offset Voltage vs. Time with Temperature Change.



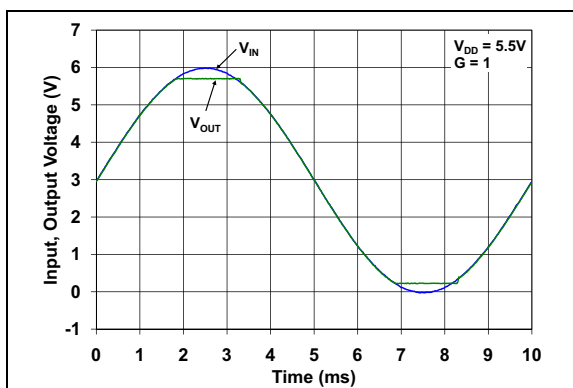
**FIGURE 2-44:** Non-inverting Small Signal Step Response.



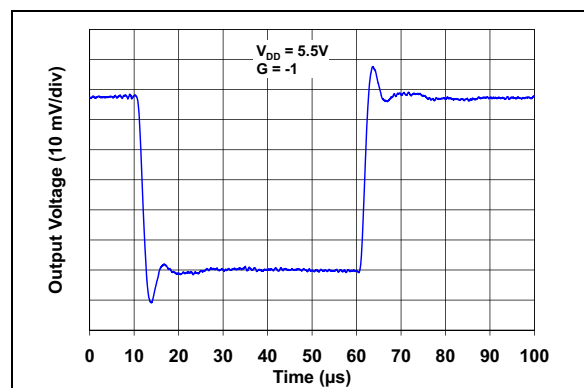
**FIGURE 2-42:** Input Offset Voltage vs. Time at Power Up.



**FIGURE 2-45:** Non-inverting Large Signal Step Response.



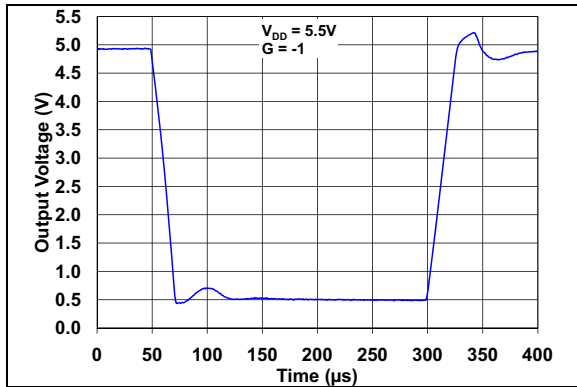
**FIGURE 2-43:** The MCP6V31/1U/2/4 Family Shows No Input Phase Reversal with Overdrive.



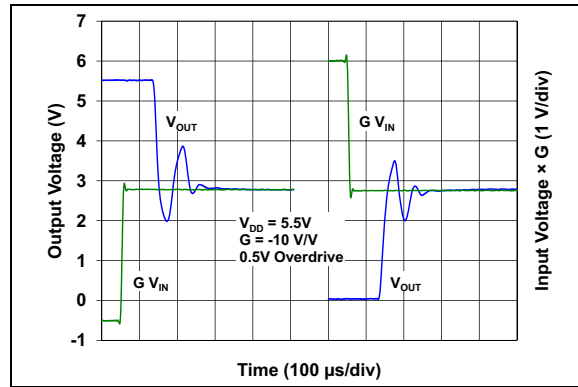
**FIGURE 2-46:** Inverting Small Signal Step Response.

# MCP6V31/1U/2/4

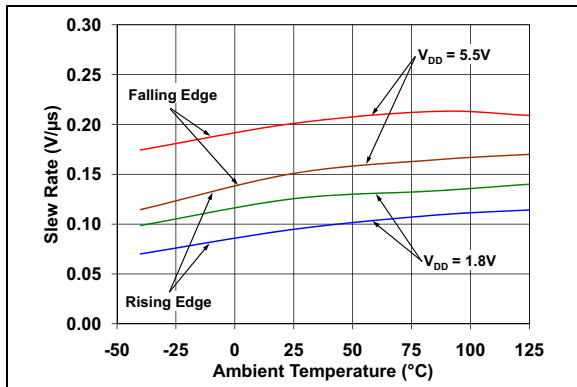
**Note:** Unless otherwise indicated,  $T_A = +25^\circ\text{C}$ ,  $V_{DD} = +1.8\text{V}$  to  $5.5\text{V}$ ,  $V_{SS} = \text{GND}$ ,  $V_{CM} = V_{DD}/3$ ,  $V_{OUT} = V_{DD}/2$ ,  $V_L = V_{DD}/2$ ,  $R_L = 100\text{ k}\Omega$  to  $V_L$  and  $C_L = 20\text{ pF}$ .



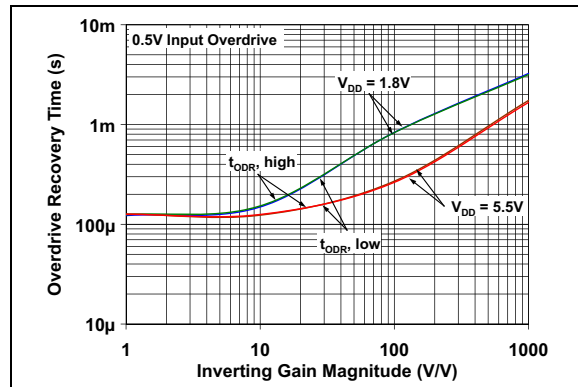
**FIGURE 2-47:** Inverting Large Signal Step Response.



**FIGURE 2-49:** Output Overdrive Recovery vs. Time with  $G = -10\text{ V/V}$ .



**FIGURE 2-48:** Slew Rate vs. Ambient Temperature.



**FIGURE 2-50:** Output Overdrive Recovery Time vs. Inverting Gain.



## 3.0 PIN DESCRIPTIONS

Descriptions of the pins are listed in [Table 3-1](#).

**TABLE 3-1: PIN FUNCTION TABLE**

MCP6V31	MCP6V31U	MCP6V32		MCP6V34	Symbol	Description
SOT-23	SOT-23, SC-70	2×3 TDFN	MSOP	TSSOP		
1	4	1	1	1	$V_{OUT}, V_{OUTA}$	Output (Op Amp A)
4	3	2	2	2	$V_{IN-}, V_{INA-}$	Inverting Input (Op Amp A)
3	1	3	3	3	$V_{IN+}, V_{INA+}$	Non-inverting Input (Op Amp A)
5	5	8	8	4	$V_{DD}$	Positive Power Supply
—	—	5	5	5	$V_{INB+}$	Non-inverting Input (Op Amp B)
—	—	6	6	6	$V_{INB-}$	Inverting Input (Op Amp B)
—	—	7	7	7	$V_{OUTB}$	Output (Op Amp B)
—	—	—	—	8	$V_{OUTC}$	Output (Op Amp C)
—	—	—	—	9	$V_{INC-}$	Inverting Input (Op Amp C)
—	—	—	—	10	$V_{INC+}$	Non-inverting Input (Op Amp C)
2	2	4	4	11	$V_{SS}$	Negative Power Supply
—	—	—	—	12	$V_{IND+}$	Non-inverting Input (Op Amp D)
—	—	—	—	13	$V_{IND-}$	Inverting Input (Op Amp D)
—	—	—	—	14	$V_{OUTD}$	Output (Op Amp D)
—	—	9	—	—	EP	Exposed Thermal Pad (EP); must be connected to $V_{SS}$

### 3.1 Analog Outputs

The analog output pins ( $V_{OUT}$ ) are low-impedance voltage sources.

### 3.2 Analog Inputs

The non-inverting and inverting inputs ( $V_{IN+}$ ,  $V_{IN-}$ , ...) are high-impedance CMOS inputs with low bias currents.

### 3.3 Power Supply Pins

The positive power supply ( $V_{DD}$ ) is 1.8V to 5.5V higher than the negative power supply ( $V_{SS}$ ). For normal operation, the other pins are between  $V_{SS}$  and  $V_{DD}$ .

Typically, these parts are used in a single (positive) supply configuration. In this case,  $V_{SS}$  is connected to ground and  $V_{DD}$  is connected to the supply.  $V_{DD}$  will need bypass capacitors.

### 3.4 Exposed Thermal Pad (EP)

There is an internal connection between the exposed thermal pad (EP) and the  $V_{SS}$  pin; they must be connected to the same potential on the printed circuit board (PCB).

This pad can be connected to a PCB ground plane to provide a larger heat sink. This improves the package thermal resistance ( $\theta_{JA}$ ).

# MCP6V31/1U/2/4

---

NOTES:



# MCP6V31/1U/2/4

## 4.1.3 INTERMODULATION DISTORTION (IMD)

These op amps will show intermodulation distortion (IMD) products when an AC signal is present.

The signal and clock can be decomposed into sine wave tones (Fourier series components). These tones interact with the zero-drift circuitry's nonlinear response to produce IMD tones at sum and difference frequencies. Each of the square wave clock's harmonics has a series of IMD tones centered on it. See [Figure 2-37](#) and [Figure 2-38](#).

## 4.2 Other Functional Blocks

### 4.2.1 RAIL-TO-RAIL INPUTS

The input stage of the MCP6V31/1U/2/4 op amps uses two differential CMOS input stages in parallel. One operates at low Common mode input voltage ( $V_{CM}$ , which is approximately equal to  $V_{IN+}$  and  $V_{IN-}$  in normal operation) and the other at high  $V_{CM}$ . With this topology, the input operates with  $V_{CM}$  up to  $V_{DD} + 0.2V$ , and down to  $V_{SS} - 0.15V$ , at  $+25^{\circ}C$  (see [Figure 2-18](#)). The input offset voltage ( $V_{OS}$ ) is measured at  $V_{CM} = V_{SS} - 0.15V$  and  $V_{DD} + 0.2V$  to ensure proper operation.

The transition between the input stages occurs when  $V_{CM} \approx V_{DD} - 0.9V$  (see [Figure 2-7](#) and [Figure 2-8](#)). For the best distortion and gain linearity, with non-inverting gains, avoid this region of operation.

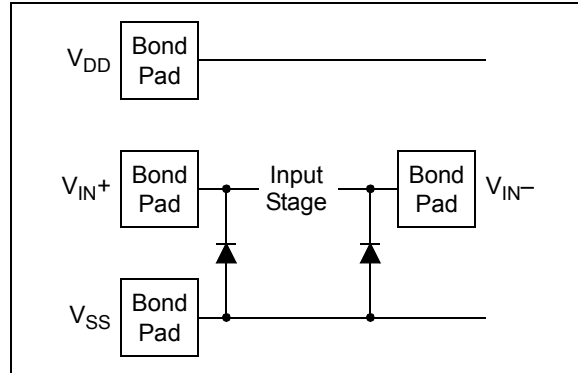
#### 4.2.1.1 Phase Reversal

The input devices are designed to not exhibit phase inversion when the input pins exceed the supply voltages. [Figure 2-43](#) shows an input voltage exceeding both supplies with no phase inversion.

#### 4.2.1.2 Input Voltage Limits

In order to prevent damage and/or improper operation of these amplifiers, the circuit must limit the voltages at the input pins (see [Section 1.1 "Absolute Maximum Ratings †"](#)). This requirement is independent of the current limits discussed later on.

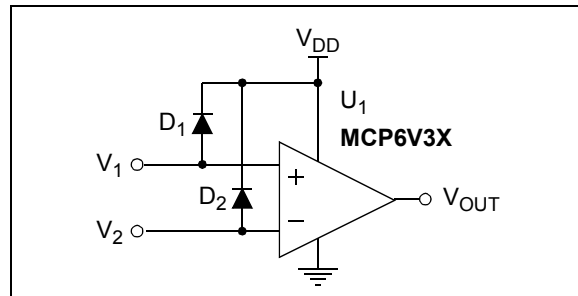
The ESD protection on the inputs can be depicted as shown in [Figure 4-4](#). This structure was chosen to protect the input transistors against many (but not all) overvoltage conditions, and to minimize input bias current ( $I_B$ ).



**FIGURE 4-4:** Simplified Analog Input ESD Structures.

The input ESD diodes clamp the inputs when they try to go more than one diode drop below  $V_{SS}$ . They also clamp any voltages well above  $V_{DD}$ ; their breakdown voltage is high enough to allow normal operation, but not low enough to protect against slow overvoltage (beyond  $V_{DD}$ ) events. Very fast ESD events (that meet the spec) are limited so that damage does not occur.

In some applications, it may be necessary to prevent excessive voltages from reaching the op amp inputs; [Figure 4-5](#) shows one approach to protecting these inputs.  $D_1$  and  $D_2$  may be small signal silicon diodes, Schottky diodes for lower clamping voltages or diode connected FETs for low leakage.

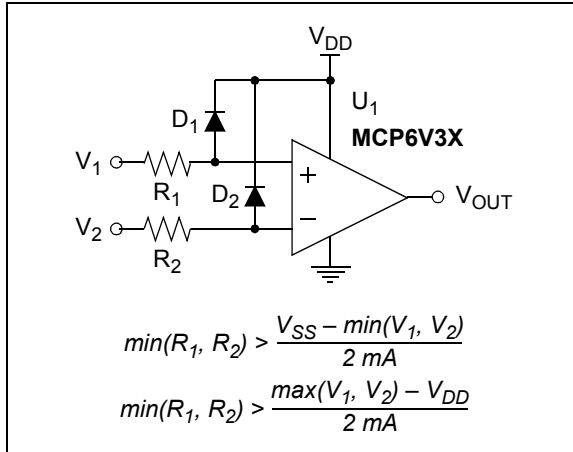


**FIGURE 4-5:** Protecting the Analog Inputs Against High Voltages.

### 4.2.1.3 Input Current Limits

In order to prevent damage and/or improper operation of these amplifiers, the circuit must limit the currents into the input pins (see [Section 1.1 “Absolute Maximum Ratings †”](#)). This requirement is independent of the voltage limits discussed previously.

[Figure 4-6](#) shows one approach to protecting these inputs. The resistors  $R_1$  and  $R_2$  limit the possible current in or out of the input pins (and into  $D_1$  and  $D_2$ ). The diode currents will dump onto  $V_{DD}$ .



**FIGURE 4-6:** Protecting the Analog Inputs Against High Currents.

It is also possible to connect the diodes to the left of resistors  $R_1$  and  $R_2$ . In this case, the currents through the diodes  $D_1$  and  $D_2$  need to be limited by some other mechanism. The resistors then serve as in-rush current limiters; the DC current into the input pins ( $V_{IN+}$  and  $V_{IN-}$ ) should be very small.

A significant amount of current can flow out of the inputs (through the ESD diodes) when the Common mode voltage ( $V_{CM}$ ) is below ground ( $V_{SS}$ ); see [Figure 2-17](#).

### 4.2.2 RAIL-TO-RAIL OUTPUT

The output voltage range of the MCP6V31/1U/2/4 zero-drift op amps is  $V_{DD} - 20 \text{ mV}$  (minimum) and  $V_{SS} + 20 \text{ mV}$  (maximum) when  $R_L = 10 \text{ k}\Omega$  is connected to  $V_{DD}/2$  and  $V_{DD} = 5.5\text{V}$ . Refer to [Figure 2-19](#) and [Figure 2-20](#) for more information.

This op amp is designed to drive light loads; use another amplifier to buffer the output from heavy loads.

## 4.3 Application Tips

### 4.3.1 INPUT OFFSET VOLTAGE OVER TEMPERATURE

[Table 1-1](#) gives both the linear and quadratic temperature coefficients ( $TC_1$  and  $TC_2$ ) of input offset voltage. The input offset voltage, at any temperature in the specified range, can be calculated as follows:

#### EQUATION 4-1:

$$V_{OS}(T_A) = V_{OS} + TC_1 \Delta T + TC_2 \Delta T^2$$

Where:

$$\Delta T = T_A - 25^\circ\text{C}$$

$$V_{OS}(T_A) = \text{input offset voltage at } T_A$$

$$V_{OS} = \text{input offset voltage at } +25^\circ\text{C}$$

$$TC_1 = \text{linear temperature coefficient}$$

$$TC_2 = \text{quadratic temperature coefficient}$$

### 4.3.2 DC GAIN PLOTS

[Figures 2-9](#) to [2-11](#) are histograms of the reciprocals (in units of  $\mu\text{V/V}$ ) of CMRR, PSRR and  $A_{OL}$ , respectively. They represent the change in input offset voltage ( $V_{OS}$ ) with a change in Common mode input voltage ( $V_{CM}$ ), power supply voltage ( $V_{DD}$ ) and output voltage ( $V_{OUT}$ ).

The  $1/A_{OL}$  histogram is centered near  $0 \mu\text{V/V}$  because the measurements are dominated by the op amp's input noise. The negative values shown represent noise and tester limitations, *not* unstable behavior. Production tests make multiple  $V_{OS}$  measurements, which validates an op amp's stability; an unstable part would show greater  $V_{OS}$  variability, or the output would stick at one of the supply rails.

### 4.3.3 OFFSET AT POWER UP

When these parts power up, the input offset ( $V_{OS}$ ) starts at its uncorrected value (usually less than  $\pm 5 \text{ mV}$ ). Circuits with high DC gain can cause the output to reach one of the two rails. In this case, the time to a valid output is delayed by an output overdrive time (like  $t_{ODR}$ ), in addition to the start-up time (like  $t_{STR}$ ).

It can be simple to avoid this extra start-up time. Reducing the gain is one method. Adding a capacitor across the feedback resistor ( $R_F$ ) is another method.

# MCP6V31/1U/2/4

## 4.3.4 SOURCE RESISTANCES

The input bias currents have two significant components; switching glitches that dominate at room temperature and below, and input ESD diode leakage currents that dominate at +85°C and above.

Make the resistances seen by the inputs small and equal. This minimizes the output offset caused by the input bias currents.

The inputs should see a resistance on the order of 10 Ω to 1 kΩ at high frequencies (i.e., above 1 MHz). This helps minimize the impact of switching glitches, which are very fast, on overall performance. In some cases, it may be necessary to add resistors in series with the inputs to achieve this improvement in performance.

Small input resistances may be needed for high gains. Without them, parasitic capacitances might cause positive feedback and instability.

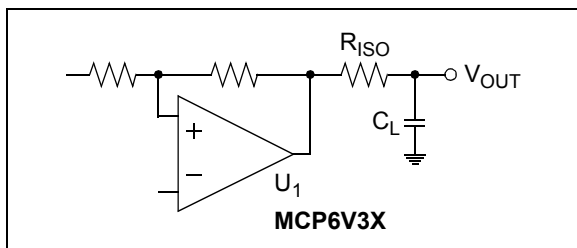
## 4.3.5 SOURCE CAPACITANCE

The capacitances seen by the two inputs should be small. Large input capacitances and source resistances, together with high gain, can lead to positive feedback and instability.

## 4.3.6 CAPACITIVE LOADS

Driving large capacitive loads can cause stability problems for voltage feedback op amps. As the load capacitance increases, the feedback loop's phase margin decreases and the closed-loop bandwidth is reduced. This produces gain peaking in the frequency response, with overshoot and ringing in the step response. These zero-drift op amps have a different output impedance than most op amps, due to their unique topology.

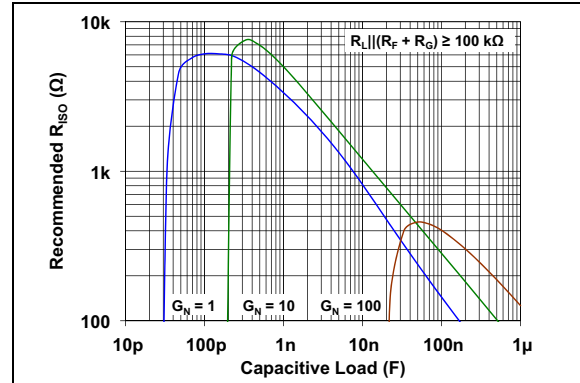
When driving a capacitive load with these op amps, a series resistor at the output ( $R_{ISO}$  in Figure 4-7) improves the feedback loop's phase margin (stability) by making the output load resistive at higher frequencies. The bandwidth will be generally lower than the bandwidth with no capacitive load.



**FIGURE 4-7:** Output Resistor,  $R_{ISO}$ , Stabilizes Capacitive Loads.

Figure 4-8 gives recommended  $R_{ISO}$  values for different capacitive loads and gains. The x-axis is the load capacitance ( $C_L$ ). The y-axis is the resistance ( $R_{ISO}$ ).

$G_N$  is the circuit's noise gain. For non-inverting gains,  $G_N$  and the Signal Gain are equal. For inverting gains,  $G_N$  is  $1+|\text{Signal Gain}|$  (e.g., -1 V/V gives  $G_N = +2$  V/V).



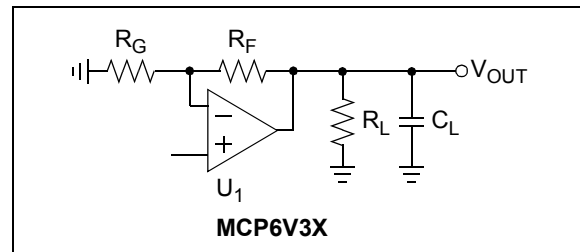
**FIGURE 4-8:** Recommended  $R_{ISO}$  values for Capacitive Loads.

After selecting  $R_{ISO}$  for your circuit, double check the resulting frequency response peaking and step response overshoot. Modify  $R_{ISO}$ 's value until the response is reasonable. Bench evaluation is helpful.

## 4.3.7 STABILIZING OUTPUT LOADS

This family of zero-drift op amps has an output impedance (Figure 2-31 and Figure 2-32) that has a double zero when the gain is low. This can cause a large phase shift in feedback networks that have low-impedance near the part's bandwidth. This large phase shift can cause stability problems.

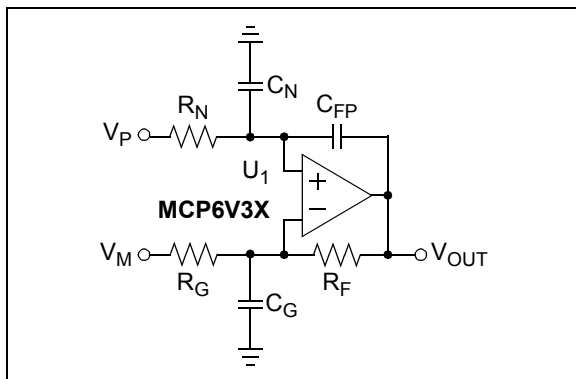
Figure 4-9 shows that the load on the output is  $(R_L + R_{ISO}) || (R_F + R_G)$ , where  $R_{ISO}$  is before the load (like Figure 4-7). This load needs to be large enough to maintain stability; it should be at least 10 kΩ.



**FIGURE 4-9:** Output Load.

## 4.3.8 GAIN PEAKING

Figure 4-10 shows an op amp circuit that represents non-inverting amplifiers ( $V_M$  is a DC voltage and  $V_P$  is the input) or inverting amplifiers ( $V_P$  is a DC voltage and  $V_M$  is the input). The capacitances  $C_N$  and  $C_G$  represent the total capacitance at the input pins; they include the op amp's Common mode input capacitance ( $C_{CM}$ ), board parasitic capacitance and any capacitor placed in parallel. The capacitance  $C_{FFP}$  represents the parasitic capacitance coupling the output and non-inverting input pins.



**FIGURE 4-10:** Amplifier with Parasitic Capacitance.

$C_G$  acts in parallel with  $R_G$  (except for a gain of +1 V/V), which causes an increase in gain at high frequencies.  $C_G$  also reduces the phase margin of the feedback loop, which becomes less stable. This effect can be reduced by either reducing  $C_G$  or  $R_F || R_G$ .

$C_N$  and  $R_N$  form a low-pass filter that affects the signal at  $V_P$ . This filter has a single real pole at  $1/(2\pi R_N C_N)$ .

The largest value of  $R_F$  that should be used depends on noise gain (see  $G_N$  in Section 4.3.6 “Capacitive Loads”),  $C_G$  and the open-loop gain's phase shift. An approximate limit for  $R_F$  is:

### EQUATION 4-2:

$$R_F \leq (10 \text{ k}\Omega) \times \frac{12 \text{ pF}}{C_G} \times G_N^2$$

Some applications may modify these values to reduce either output loading or gain peaking (step response overshoot).

At high gains,  $R_N$  needs to be small, in order to prevent positive feedback and oscillations. Large  $C_N$  values can also help.

## 4.3.9 REDUCING UNDESIREED NOISE AND SIGNALS

Reduce undesired noise and signals with:

- Low bandwidth signal filters:
  - Minimizes random analog noise
  - Reduces interfering signals
- Good PCB layout techniques:
  - Minimizes crosstalk
  - Minimizes parasitic capacitances and inductances that interact with fast switching edges
- Good power supply design:
  - Isolation from other parts
  - Filtering of interference on supply line(s)

## 4.3.10 SUPPLY BYPASSING AND FILTERING

With this family of operational amplifiers, the power supply pin ( $V_{DD}$  for single supply) should have a local bypass capacitor (i.e., 0.01  $\mu\text{F}$  to 0.1  $\mu\text{F}$ ) within 2 mm of the pin for good high-frequency performance.

These parts also need a bulk capacitor (i.e., 1  $\mu\text{F}$  or larger) within 100 mm to provide large, slow currents. This bulk capacitor can be shared with other low noise, analog parts.

In some cases, high-frequency power supply noise (e.g., switched mode power supplies) may cause undue intermodulation distortion, with a DC offset shift; this noise needs to be filtered. Adding a resistor into the supply connection can be helpful.

## 4.3.11 PCB DESIGN FOR DC PRECISION

In order to achieve DC precision on the order of  $\pm 1 \mu\text{V}$ , many physical errors need to be minimized. The design of the Printed Circuit Board (PCB), the wiring, and the thermal environment have a strong impact on the precision achieved. A poor PCB design can easily be more than 100 times worse than the MCP6V31/1U/2/4 op amps' minimum and maximum specifications.

### 4.3.11.1 PCB Layout

Any time two dissimilar metals are joined together, a temperature dependent voltage appears across the junction (the Seebeck or thermojunction effect). This effect is used in thermocouples to measure temperature. The following are examples of thermojunctions on a PCB:

- Components (resistors, op amps, ...) soldered to a copper pad
- Wires mechanically attached to the PCB
- Jumpers
- Solder joints
- PCB vias

# MCP6V31/1U/2/4

Typical thermojunctions have temperature to voltage conversion coefficients of 1 to 100  $\mu\text{V}/^\circ\text{C}$  (sometimes higher).

Microchip's AN1258 ("Op Amp Precision Design: PCB Layout Techniques") contains in-depth information on PCB layout techniques that minimize thermojunction effects. It also discusses other effects, such as crosstalk, impedances, mechanical stresses and humidity.

## 4.3.11.2 Crosstalk

DC crosstalk causes offsets that appear as a larger input offset voltage. Common causes include:

- Common mode noise (remote sensors)
- Ground loops (current return paths)
- Power supply coupling

Interference from the mains (usually 50 Hz or 60 Hz), and other AC sources, can also affect the DC performance. Nonlinear distortion can convert these signals to multiple tones, including a DC shift in voltage. When the signal is sampled by an ADC, these AC signals can also be aliased to DC, causing an apparent shift in offset.

To reduce interference:

- Keep traces and wires as short as possible
- Use shielding
- Use ground plane (at least a star ground)
- Place the input signal source near to the DUT
- Use good PCB layout techniques
- Use a separate power supply filter (bypass capacitors) for these zero-drift op amps

## 4.3.11.3 Miscellaneous Effects

Keep the resistances seen by the input pins as small and as near to equal as possible, to minimize bias-current-related offsets.

Make the (trace) capacitances seen by the input pins small and equal. This is helpful in minimizing switching glitch-induced offset voltages.

Bending a coax cable with a radius that is too small causes a small voltage drop to appear on the center conductor (the triboelectric effect). Make sure the bending radius is large enough to keep the conductors and insulation in full contact.

Mechanical stresses can make some capacitor types (such as some ceramics) output small voltages. Use more appropriate capacitor types in the signal path and minimize mechanical stresses and vibration.

Humidity can cause electrochemical potential voltages to appear in a circuit. Proper PCB cleaning helps, as does the use of encapsulants.

## 4.4 Typical Applications

### 4.4.1 WHEATSTONE BRIDGE

Many sensors are configured as Wheatstone bridges. Strain gauges and pressure sensors are two common examples. These signals can be small and the Common mode noise large. Amplifier designs with high differential gain are desirable.

Figure 4-11 shows how to interface to a Wheatstone bridge with a minimum of components. Because the circuit is not symmetric, the ADC input is single ended, and there is a minimum of filtering; the CMRR is good enough for moderate Common mode noise.

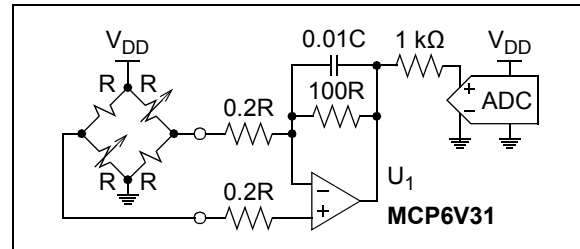


FIGURE 4-11: Simple Design.

### 4.4.2 RTD SENSOR

The ratiometric circuit in Figure 4-12 conditions a two-wire RTD, for applications with a limited temperature range.  $U_1$  acts a difference amplifier, with a low-frequency pole. The sensor's wiring resistance ( $R_W$ ) is corrected in firmware. Failure (open) of the RTD is detected by an out-of-range voltage.

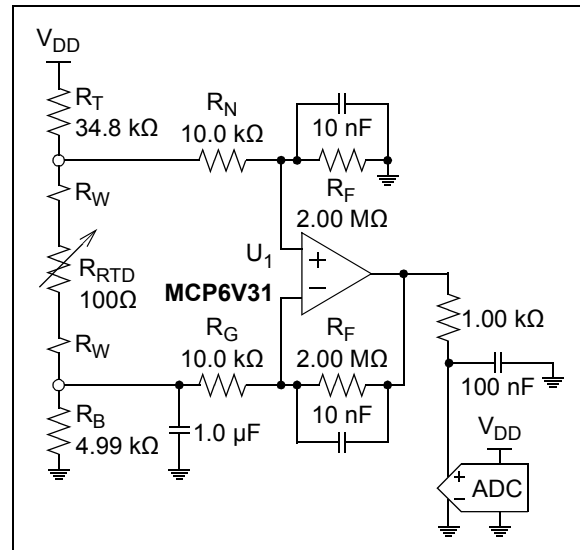
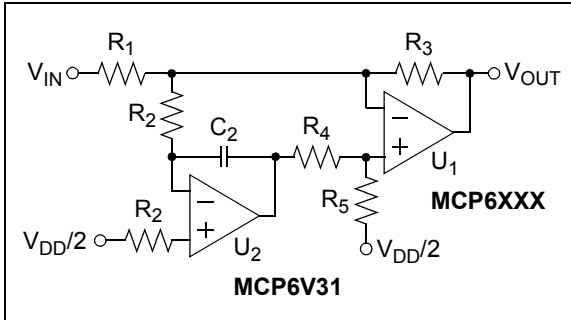


FIGURE 4-12: RTD Sensor.



## 4.4.3 OFFSET VOLTAGE CORRECTION

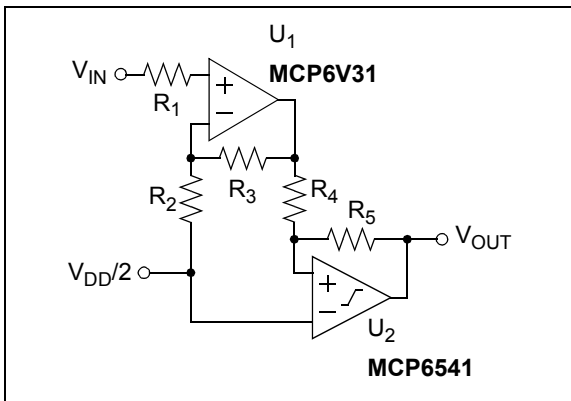
Figure 4-13 shows MCP6V31 ( $U_2$ ) correcting the input offset voltage of another op amp ( $U_1$ ).  $R_2$  and  $C_2$  integrate the offset error seen at  $U_1$ 's input; the integration needs to be slow enough to be stable (with the feedback provided by  $R_1$  and  $R_3$ ).  $R_4$  and  $R_5$  attenuate the integrator's output; this shifts the integrator pole down in frequency.



**FIGURE 4-13:** Offset Correction.

## 4.4.4 PRECISION COMPARATOR

Use high gain before a comparator to improve the latter's performance. Do not use MCP6V31/1U/2/4 as a comparator by itself; the  $V_{OS}$  correction circuitry does not operate properly without a feedback loop.



**FIGURE 4-14:** Precision Comparator.

# MCP6V31/1U/2/4

---

NOTES:

## 5.0 DESIGN AIDS

Microchip provides the basic design aids needed for the MCP6V31/1U/2/4 family of op amps.

### 5.1 SPICE Macro Model

The latest SPICE macro model for the MCP6V31/1U/2/4 op amps is available on the Microchip web site at [www.microchip.com](http://www.microchip.com). This model is intended to be an initial design tool that works well in the op amp's linear region of operation over the temperature range. See the model file for information on its capabilities.

Bench testing is a very important part of any design and cannot be replaced with simulations. Also, simulation results using this macro model need to be validated by comparing them to the data sheet specifications and characteristic curves.

### 5.2 FilterLab<sup>®</sup> Software

Microchip's FilterLab<sup>®</sup> software is an innovative software tool that simplifies analog active filter (using op amps) design. Available at no cost from the Microchip web site at [www.microchip.com/filterlab](http://www.microchip.com/filterlab), the FilterLab design tool provides full schematic diagrams of the filter circuit with component values. It also outputs the filter circuit in SPICE format, which can be used with the macro model to simulate actual filter performance.

### 5.3 Microchip Advanced Part Selector (MAPS)

MAPS is a software tool that helps efficiently identify Microchip devices that fit a particular design requirement. Available at no cost from the Microchip web site at [www.microchip.com/maps](http://www.microchip.com/maps), MAPS is an overall selection tool for Microchip's product portfolio that includes Analog, Memory, MCUs and DSCs. Using this tool, a customer can define a filter to sort features for a parametric search of devices and export side-by-side technical comparison reports. Helpful links are also provided for Data Sheets, Purchase and Sampling of Microchip parts.

## 5.4 Analog Demonstration and Evaluation Boards

Microchip offers a broad spectrum of Analog Demonstration and Evaluation Boards that are designed to help customers achieve faster time to market. For a complete listing of these boards and their corresponding user's guides and technical information, visit the Microchip web site at [www.microchip.com/analog-tools](http://www.microchip.com/analog-tools).

Some boards that are especially useful are:

- MCP6V01 Thermocouple Auto-Zeroed Reference Design (P/N MCP6V01RD-TCPL)
- MCP6XXX Amplifier Evaluation Board 1 (P/N DS51667)
- MCP6XXX Amplifier Evaluation Board 2 (P/N DS51668)
- MCP6XXX Amplifier Evaluation Board 3 (P/N DS51673)
- MCP6XXX Amplifier Evaluation Board 4 (P/N DS51681)
- Active Filter Demo Board Kit (P/N DS51614)
- 8-Pin SOIC/MSOP/TSSOP/DIP Evaluation Board (P/N SOIC8EV)
- 14-Pin SOIC/TSSOP/DIP Evaluation Board (P/N SOIC14EV)

## 5.5 Application Notes

The following Microchip Application Notes are available on the Microchip web site at [www.microchip.com/appnotes](http://www.microchip.com/appnotes) and are recommended as supplemental reference resources.

**ADN003:** "Select the Right Operational Amplifier for your Filtering Circuits", DS21821

**AN722:** "Operational Amplifier Topologies and DC Specifications", DS00722

**AN723:** "Operational Amplifier AC Specifications and Applications", DS00723

**AN884:** "Driving Capacitive Loads With Op Amps", DS00884

**AN990:** "Analog Sensor Conditioning Circuits – An Overview", DS00990

**AN1177:** "Op Amp Precision Design: DC Errors", DS01177

**AN1228:** "Op Amp Precision Design: Random Noise", DS01228

**AN1258:** "Op Amp Precision Design: PCB Layout Techniques", DS01258

These Application Notes and others are listed in the design guide:

"Signal Chain Design Guide", DS21825

# MCP6V31/1U/2/4

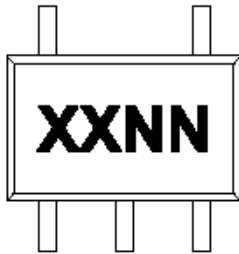
---

NOTES:

## 6.0 PACKAGING INFORMATION

### 6.1 Package Marking Information

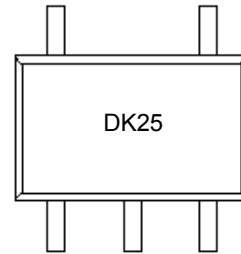
5-Lead SC70 (MCP6V31U)



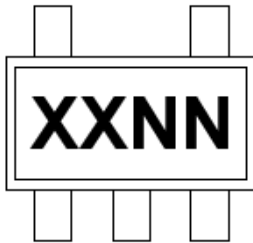
Device	Code
MCP6V31UT-E/LT	DKNN

**Note:** Applies to 5-Lead SC-70.

Example:



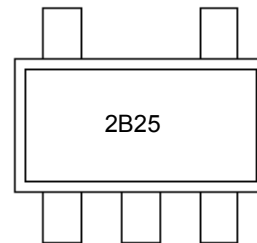
5-Lead SOT-23 (MCP6V31, MCP6V31U)



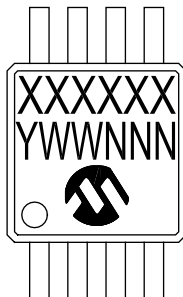
Device	Code
MCP6V31T-E/OT	2BNN
MCP6V31UT-E/OT	2ENN

**Note:** Applies to 5-Lead SOT-23.

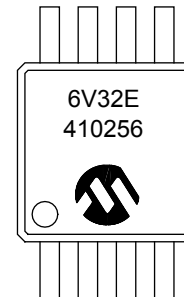
Example:



8-Lead MSOP (3x3 mm)(MCP6V32)



Example



<b>Legend:</b>	XX...X	Customer-specific information
	Y	Year code (last digit of calendar year)
	YY	Year code (last 2 digits of calendar year)
	WW	Week code (week of January 1 is week '01')
	NNN	Alphanumeric traceability code
	(e3)	Pb-free JEDEC® designator for Matte Tin (Sn)
	*	This package is Pb-free. The Pb-free JEDEC designator (e3) can be found on the outer packaging for this package.

**Note:** In the event the full Microchip part number cannot be marked on one line, it will be carried over to the next line, thus limiting the number of available characters for customer-specific information.

# MCP6V31/1U/2/4

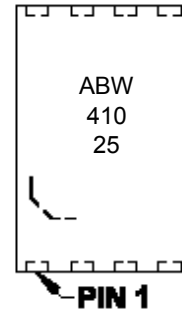
8-Lead TDFN (2x3x0.75 mm)(MCP6V32)



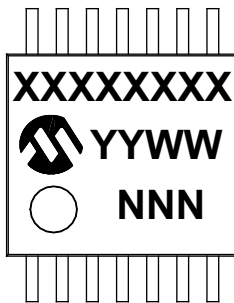
Device	Code
MCP6V32-E/MNY	ABW
MCP6V32T-E/MNY	ABW

**Note:** Applies to 8-Lead 2x3 TDFN.

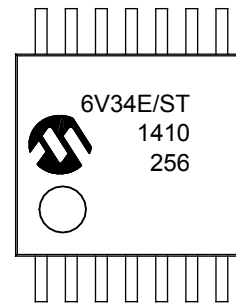
Example



14-Lead TSSOP (4.4 mm)(MCP6V34)

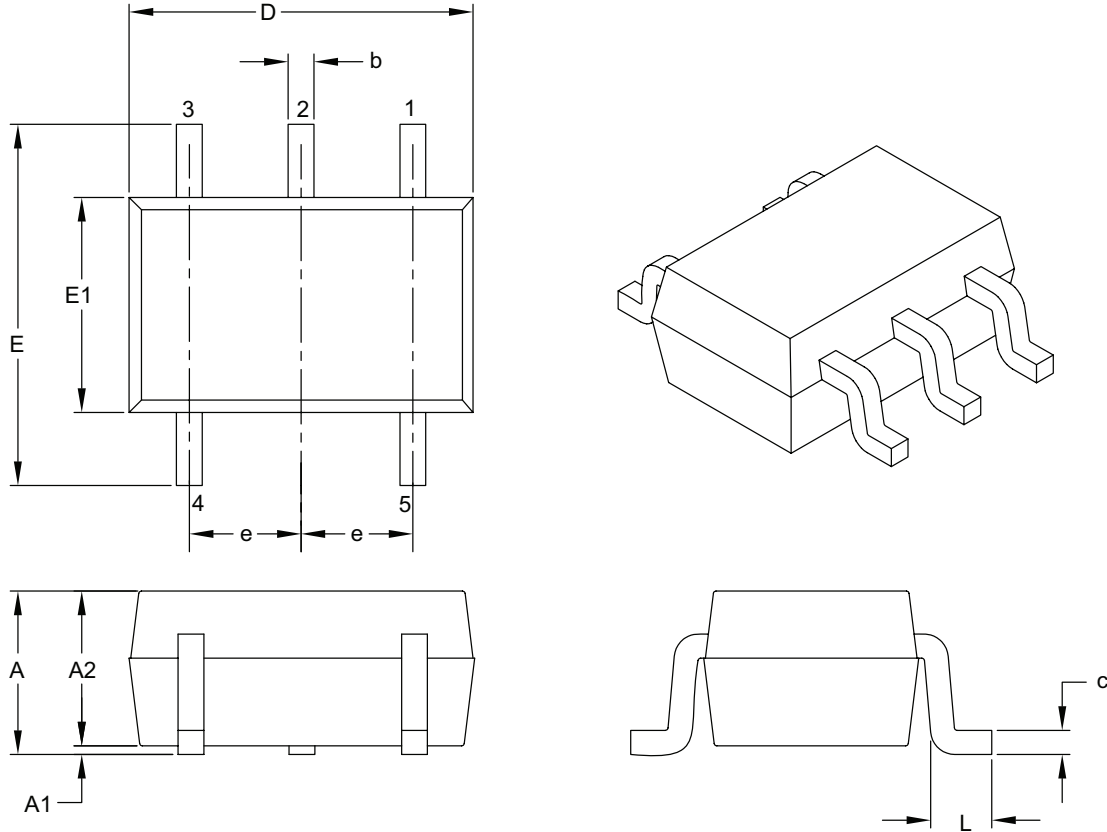


Example



## 5-Lead Plastic Small Outline Transistor (LT) [SC70]

**Note:** For the most current package drawings, please see the Microchip Packaging Specification located at <http://www.microchip.com/packaging>



Dimension Limits	Units	MILLIMETERS		
		MIN	NOM	MAX
Number of Pins	N	5		
Pitch	e	0.65 BSC		
Overall Height	A	0.80	–	1.10
Molded Package Thickness	A2	0.80	–	1.00
Standoff	A1	0.00	–	0.10
Overall Width	E	1.80	2.10	2.40
Molded Package Width	E1	1.15	1.25	1.35
Overall Length	D	1.80	2.00	2.25
Foot Length	L	0.10	0.20	0.46
Lead Thickness	c	0.08	–	0.26
Lead Width	b	0.15	–	0.40

**Notes:**

- Dimensions D and E1 do not include mold flash or protrusions. Mold flash or protrusions shall not exceed 0.127 mm per side.
- Dimensioning and tolerancing per ASME Y14.5M.

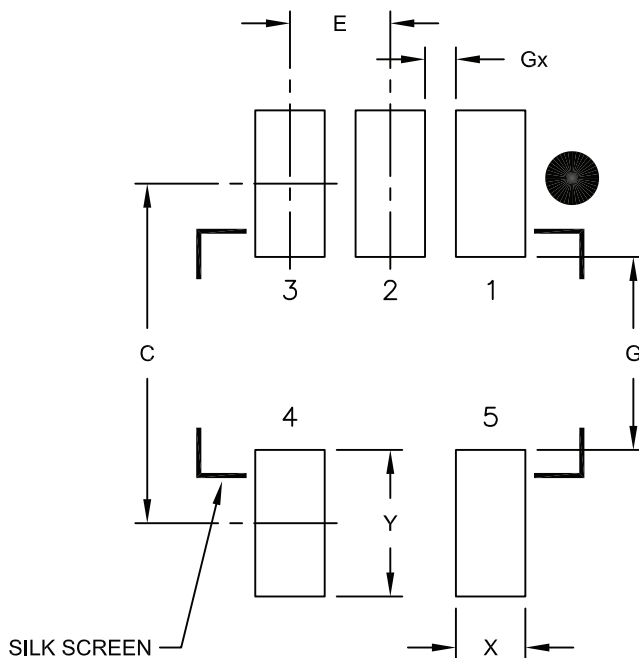
BSC: Basic Dimension. Theoretically exact value shown without tolerances.

Microchip Technology Drawing C04-061B

# MCP6V31/1U/2/4

## 5-Lead Plastic Small Outline Transistor (LT) [SC70]

**Note:** For the most current package drawings, please see the Microchip Packaging Specification located at <http://www.microchip.com/packaging>



RECOMMENDED LAND PATTERN

Dimension Limits	Units	MILLIMETERS		
		MIN	NOM	MAX
Contact Pitch	E	0.65 BSC		
Contact Pad Spacing	C		2.20	
Contact Pad Width	X			0.45
Contact Pad Length	Y			0.95
Distance Between Pads	G	1.25		
Distance Between Pads	Gx	0.20		

**Notes:**

1. Dimensioning and tolerancing per ASME Y14.5M

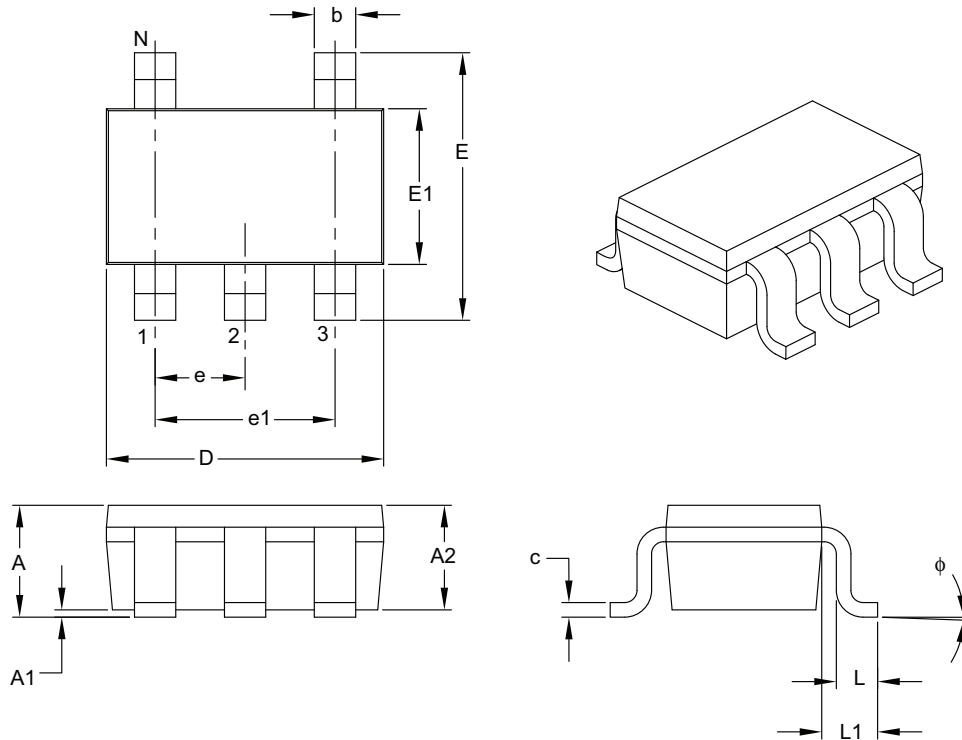
BSC: Basic Dimension. Theoretically exact value shown without tolerances.

Microchip Technology Drawing No. C04-2061A



## 5-Lead Plastic Small Outline Transistor (OT) [SOT-23]

**Note:** For the most current package drawings, please see the Microchip Packaging Specification located at <http://www.microchip.com/packaging>



Dimension Limits	Units	MILLIMETERS		
		MIN	NOM	MAX
Number of Pins	N	5		
Lead Pitch	e	0.95 BSC		
Outside Lead Pitch	e1	1.90 BSC		
Overall Height	A	0.90	–	1.45
Molded Package Thickness	A2	0.89	–	1.30
Standoff	A1	0.00	–	0.15
Overall Width	E	2.20	–	3.20
Molded Package Width	E1	1.30	–	1.80
Overall Length	D	2.70	–	3.10
Foot Length	L	0.10	–	0.60
Footprint	L1	0.35	–	0.80
Foot Angle	$\phi$	0°	–	30°
Lead Thickness	c	0.08	–	0.26
Lead Width	b	0.20	–	0.51

**Notes:**

1. Dimensions D and E1 do not include mold flash or protrusions. Mold flash or protrusions shall not exceed 0.127 mm per side.

2. Dimensioning and tolerancing per ASME Y14.5M.

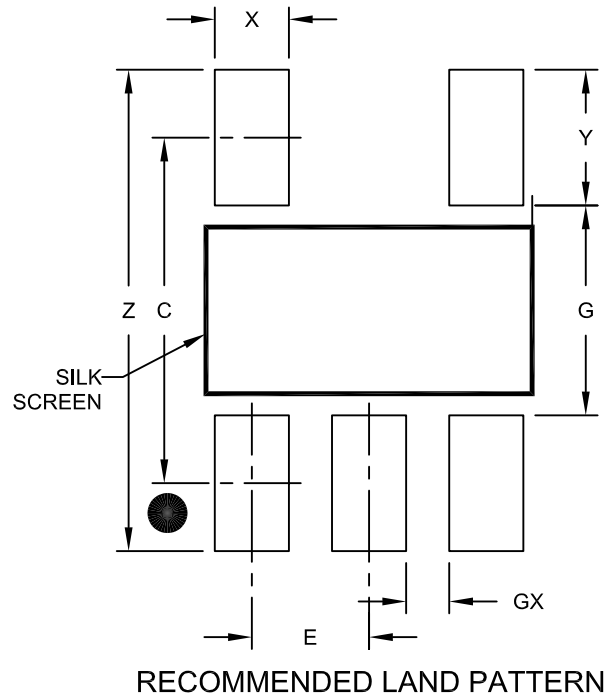
BSC: Basic Dimension. Theoretically exact value shown without tolerances.

Microchip Technology Drawing C04-091B

# MCP6V31/1U/2/4

## 5-Lead Plastic Small Outline Transistor (OT) [SOT-23]

**Note:** For the most current package drawings, please see the Microchip Packaging Specification located at <http://www.microchip.com/packaging>



Dimension Limits	Units	MILLIMETERS		
		MIN	NOM	MAX
Contact Pitch	E	0.95 BSC		
Contact Pad Spacing	C		2.80	
Contact Pad Width (X5)	X			0.60
Contact Pad Length (X5)	Y			1.10
Distance Between Pads	G	1.70		
Distance Between Pads	GX	0.35		
Overall Width	Z			3.90

**Notes:**

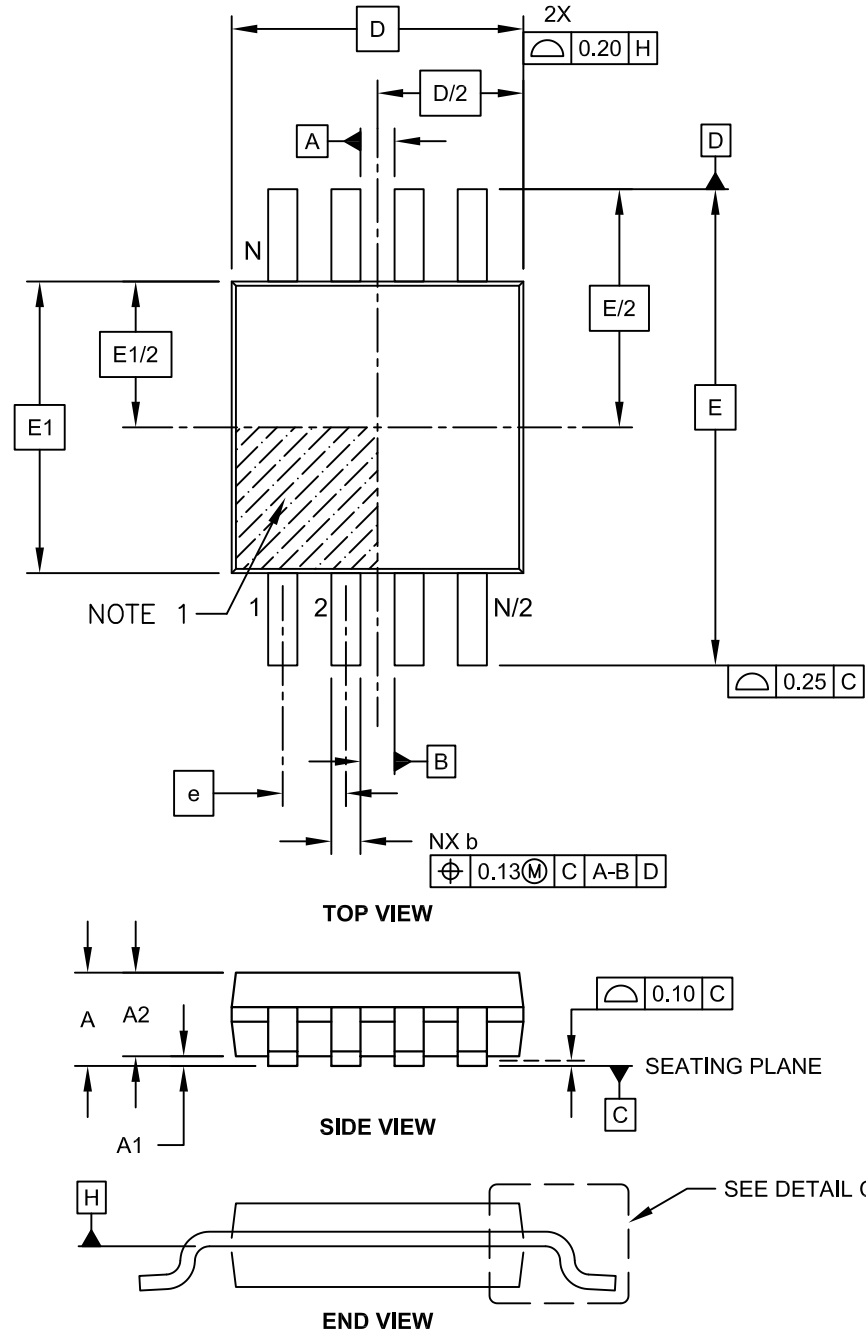
1. Dimensioning and tolerancing per ASME Y14.5M

BSC: Basic Dimension. Theoretically exact value shown without tolerances.

Microchip Technology Drawing No. C04-2091A

## 8-Lead Plastic Micro Small Outline Package (MS) [MSOP]

**Note:** For the most current package drawings, please see the Microchip Packaging Specification located at <http://www.microchip.com/packaging>

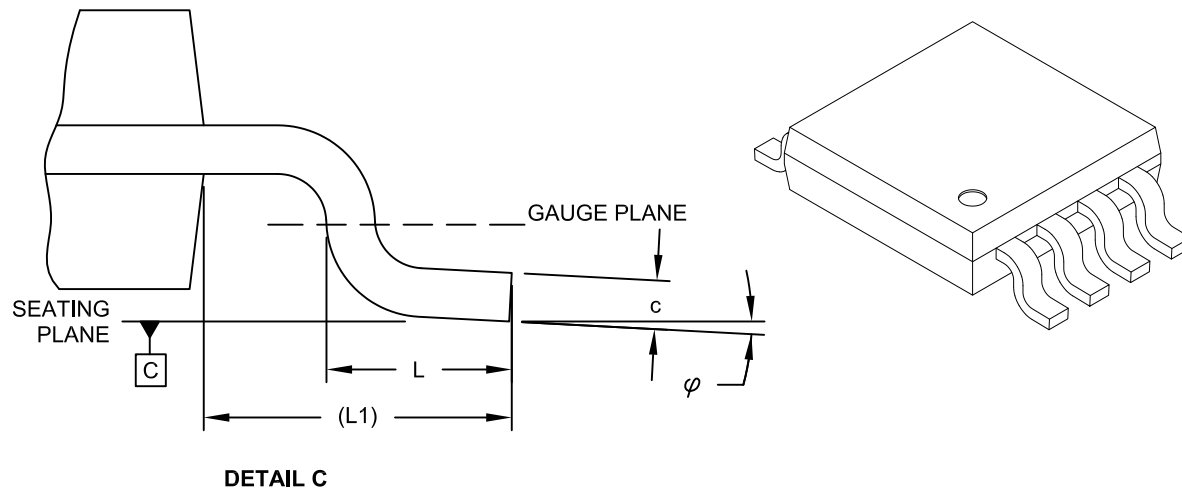


Microchip Technology Drawing C04-111C Sheet 1 of 2

# MCP6V31/1U/2/4

## 8-Lead Plastic Micro Small Outline Package (MS) [MSOP]

**Note:** For the most current package drawings, please see the Microchip Packaging Specification located at <http://www.microchip.com/packaging>



Dimension Limits	Units	MILLIMETERS		
		MIN	NOM	MAX
Number of Pins	N		8	
Pitch	e	0.65 BSC		
Overall Height	A	-	-	1.10
Molded Package Thickness	A2	0.75	0.85	0.95
Standoff	A1	0.00	-	0.15
Overall Width	E	4.90 BSC		
Molded Package Width	E1	3.00 BSC		
Overall Length	D	3.00 BSC		
Foot Length	L	0.40	0.60	0.80
Footprint	L1	0.95 REF		
Foot Angle	$\varphi$	0°	-	8°
Lead Thickness	c	0.08	-	0.23
Lead Width	b	0.22	-	0.40

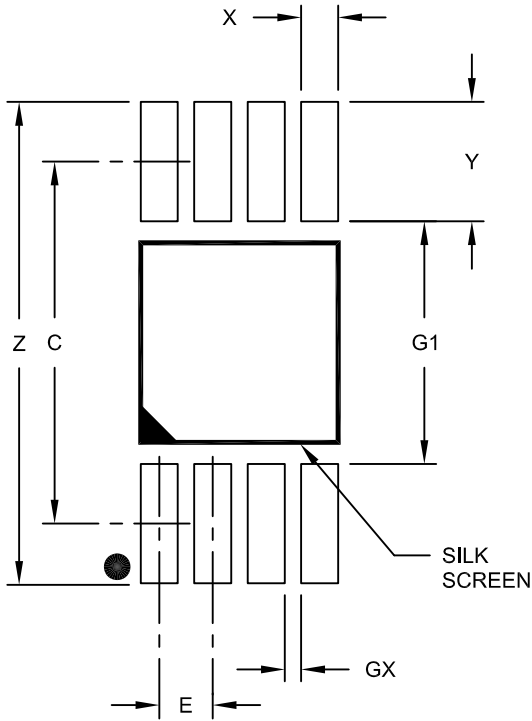
**Notes:**

- Pin 1 visual index feature may vary, but must be located within the hatched area.
- Dimensions D and E1 do not include mold flash or protrusions. Mold flash or protrusions shall not exceed 0.15mm per side.
- Dimensioning and tolerancing per ASME Y14.5M.  
 BSC: Basic Dimension. Theoretically exact value shown without tolerances.  
 REF: Reference Dimension, usually without tolerance, for information purposes only.

Microchip Technology Drawing C04-111C Sheet 2 of 2

## 8-Lead Plastic Micro Small Outline Package (MS) [MSOP]

**Note:** For the most current package drawings, please see the Microchip Packaging Specification located at <http://www.microchip.com/packaging>



RECOMMENDED LAND PATTERN

Dimension Limits	Units	MILLIMETERS		
		MIN	NOM	MAX
Contact Pitch	E	0.65 BSC		
Contact Pad Spacing	C		4.40	
Overall Width	Z			5.85
Contact Pad Width (X8)	X1			0.45
Contact Pad Length (X8)	Y1			1.45
Distance Between Pads	G1	2.95		
Distance Between Pads	GX	0.20		

**Notes:**

1. Dimensioning and tolerancing per ASME Y14.5M

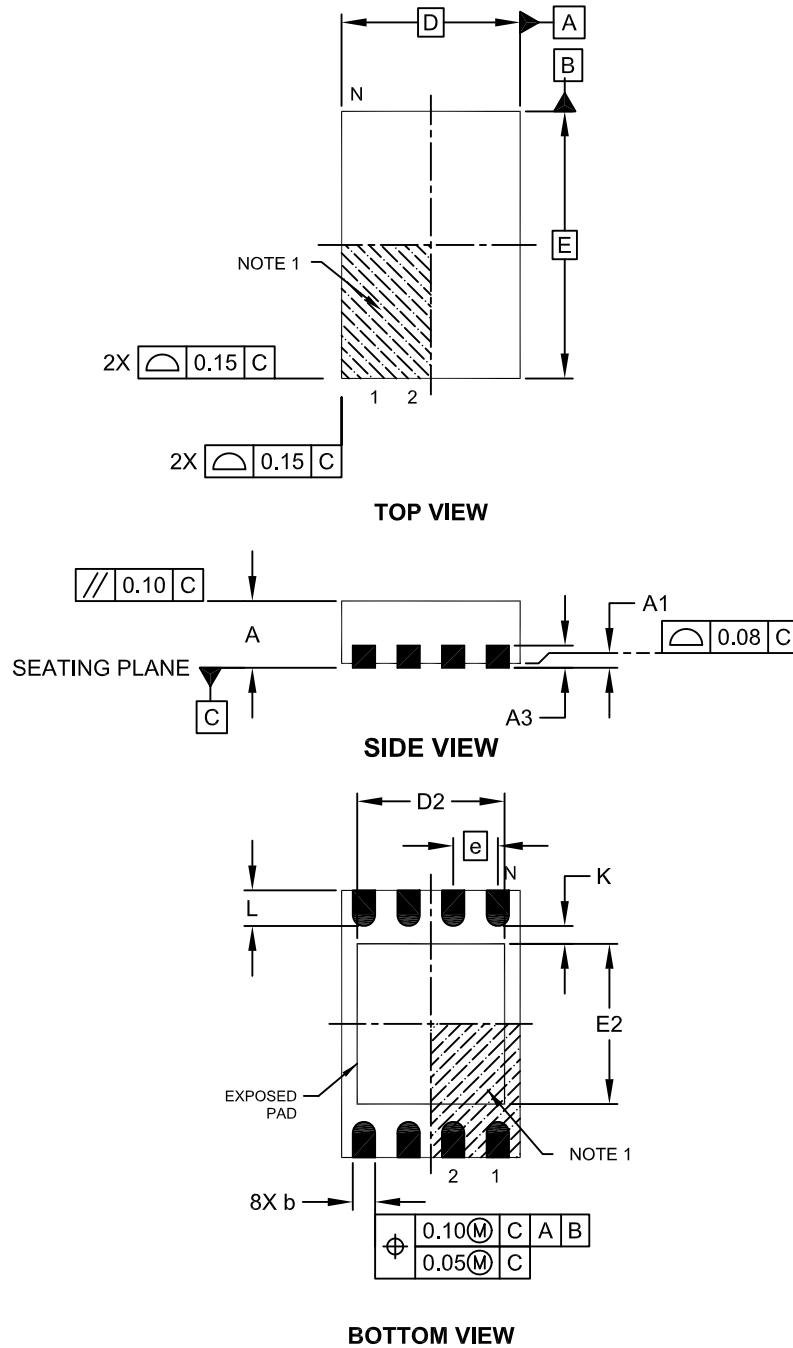
BSC: Basic Dimension. Theoretically exact value shown without tolerances.

Microchip Technology Drawing No. C04-2111A

# MCP6V31/1U/2/4

## 8-Lead Plastic Dual Flat, No Lead Package (MN) – 2x3x0.75mm Body [TDFN]

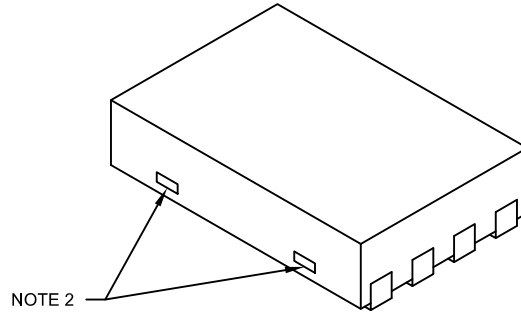
**Note:** For the most current package drawings, please see the Microchip Packaging Specification located at <http://www.microchip.com/packaging>



Microchip Technology Drawing No. C04-129C Sheet 1 of 2

## 8-Lead Plastic Dual Flat, No Lead Package (MN) – 2x3x0.75mm Body [TDFN]

**Note:** For the most current package drawings, please see the Microchip Packaging Specification located at <http://www.microchip.com/packaging>



Dimension Limits	Units	MILLIMETERS		
		MIN	NOM	MAX
Number of Pins	N	8		
Pitch	e	0.50 BSC		
Overall Height	A	0.70	0.75	0.80
Standoff	A1	0.00	0.02	0.05
Contact Thickness	A3	0.20 REF		
Overall Length	D	2.00 BSC		
Overall Width	E	3.00 BSC		
Exposed Pad Length	D2	1.20	-	1.60
Exposed Pad Width	E2	1.20	-	1.60
Contact Width	b	0.20	0.25	0.30
Contact Length	L	0.25	0.30	0.45
Contact-to-Exposed Pad	K	0.20	-	-

**Notes:**

1. Pin 1 visual index feature may vary, but must be located within the hatched area.
2. Package may have one or more exposed tie bars at ends.
3. Package is saw singulated
4. Dimensioning and tolerancing per ASME Y14.5M

BSC: Basic Dimension. Theoretically exact value shown without tolerances.

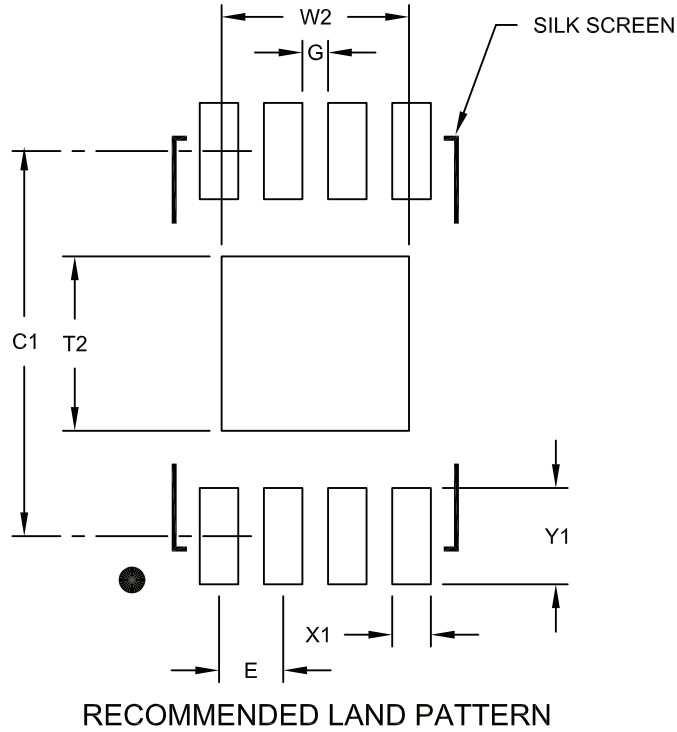
REF: Reference Dimension, usually without tolerance, for information purposes only.

Microchip Technology Drawing No. C04-129C Sheet 2 of 2

# MCP6V31/1U/2/4

## 8-Lead Plastic Dual Flat, No Lead Package (MN) – 2x3x0.75 mm Body [TDFN]

**Note:** For the most current package drawings, please see the Microchip Packaging Specification located at <http://www.microchip.com/packaging>



Dimension Limits	Units	MILLIMETERS		
		MIN	NOM	MAX
Contact Pitch	E	0.50 BSC		
Optional Center Pad Width	W2			1.46
Optional Center Pad Length	T2			1.36
Contact Pad Spacing	C1		3.00	
Contact Pad Width (X8)	X1			0.30
Contact Pad Length (X8)	Y1			0.75
Distance Between Pads	G	0.20		

**Notes:**

1. Dimensioning and tolerancing per ASME Y14.5M

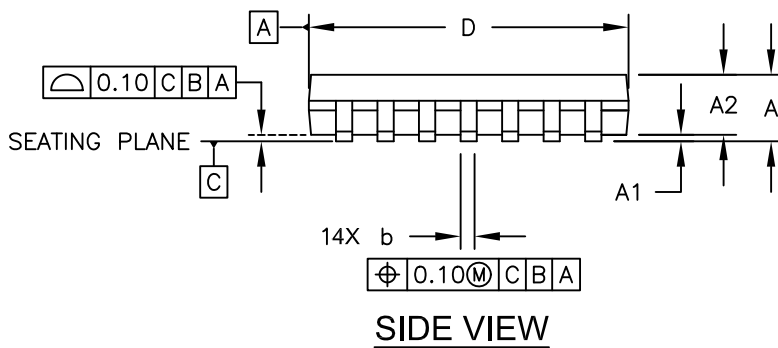
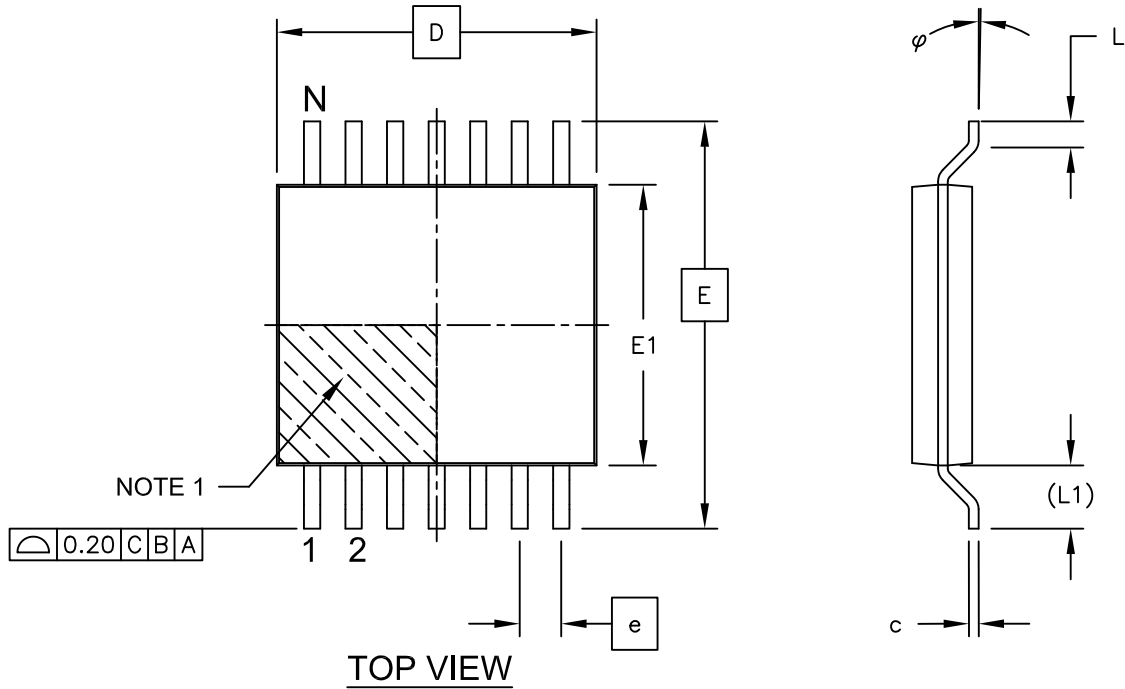
BSC: Basic Dimension. Theoretically exact value shown without tolerances.

Microchip Technology Drawing No. C04-2129A



## 14-Lead Plastic Thin Shrink Small Outline (ST) - 4.4 mm Body [TSSOP]

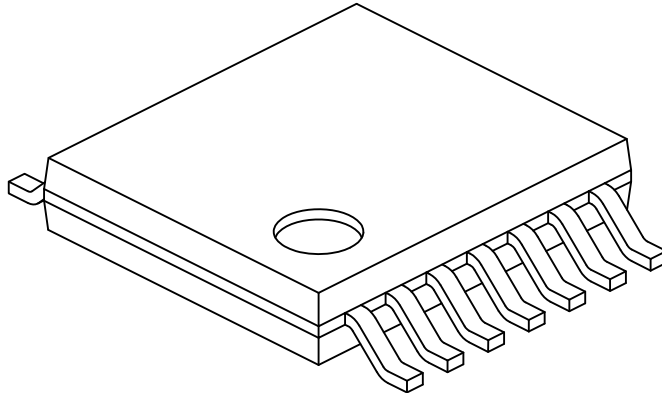
**Note:** For the most current package drawings, please see the Microchip Packaging Specification located at <http://www.microchip.com/packaging>



# MCP6V31/1U/2/4

## 14-Lead Plastic Thin Shrink Small Outline (ST) - 4.4 mm Body [TSSOP]

**Note:** For the most current package drawings, please see the Microchip Packaging Specification located at <http://www.microchip.com/packaging>



Dimension Limits	Units	MILLIMETERS		
		MIN	NOM	MAX
Number of Pins	N	14		
Pitch	e	0.65 BSC		
Overall Height	A	-	-	1.20
Molded Package Thickness	A2	0.80	1.00	1.05
Standoff	A1	0.05	-	0.15
Overall Width	E	6.40 BSC		
Molded Package Width	E1	4.30	4.40	4.50
Molded Package Length	D	4.90	5.00	5.10
Foot Length	L	0.45	0.60	0.75
Footprint	(L1)	1.00 REF		
Foot Angle	$\phi$	0°	-	8°
Lead Thickness	c	0.09	-	0.20
Lead Width	b	0.19	-	0.30

**Notes:**

1. Pin 1 visual index feature may vary, but must be located within the hatched area.
2. Dimensions D and E1 do not include mold flash or protrusions. Mold flash or protrusions shall not exceed 0.15mm per side.
3. Dimensioning and tolerancing per ASME Y14.5M

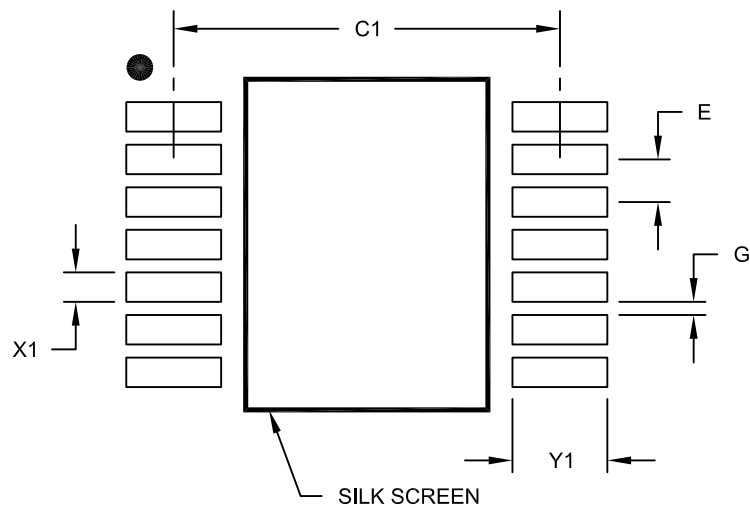
BSC: Basic Dimension. Theoretically exact value shown without tolerances.

REF: Reference Dimension, usually without tolerance, for information purposes only.

Microchip Technology Drawing No. C04-087C Sheet 2 of 2

## 14-Lead Plastic Thin Shrink Small Outline (ST) - 4.4 mm Body [TSSOP]

**Note:** For the most current package drawings, please see the Microchip Packaging Specification located at <http://www.microchip.com/packaging>



RECOMMENDED LAND PATTERN

		Units	MILLIMETERS		
Dimension Limits			MIN	NOM	MAX
Contact Pitch	E		0.65 BSC		
Contact Pad Spacing	C1			5.90	
Contact Pad Width (X14)	X1				0.45
Contact Pad Length (X14)	Y1				1.45
Distance Between Pads	G	0.20			

**Notes:**

1. Dimensioning and tolerancing per ASME Y14.5M

BSC: Basic Dimension. Theoretically exact value shown without tolerances.

Microchip Technology Drawing No. C04-2087A

# MCP6V31/1U/2/4

---

NOTES:

## APPENDIX A: REVISION HISTORY

### Revision B (March 2014)

The following is the list of modifications:

1. Added new devices to the family: MCP6V32 and MCP6V34, and the related information throughout the document.
2. Updated [Table 1-3](#) with new packages' thermal resistances.
3. Updated [Figures 2-6, 2-19](#) and [2-22](#) in [Section 2.0 "Typical Performance Curves"](#). Added new [Figure 2-33](#).
4. Updated [Table 3-1](#) in [Section 3.0 "Pin Descriptions"](#) for the new devices.
5. Updated markings and specification drawings in [Section 6.0 "Packaging Information"](#).
6. Updated [Product Identification System](#).

### Revision A (March 2012)

- Original Release of this Document.

# MCP6V31/1U/2/4

---

NOTES:

## PRODUCT IDENTIFICATION SYSTEM

To order or obtain information, e.g., on pricing or delivery, refer to the factory or the listed sales office.

<u>PART NO.</u>	<u>/X1<sup>(1)</sup></u>	<u>-X</u>	<u>/XX</u>	
Device	Tape and Reel	Temperature Range	Package	
<p><b>Device:</b></p> <p>MCP6V31T: Single Op Amp (Tape and Reel) (SOT-23)  MCP6V31UT: Single Op Amp (Tape and Reel) (SC-70, SOT-23)  MCP6V32: Dual Op Amp (MSOP, 2x3 TDFN)  MCP6V32T: Dual Op Amp (Tape and Reel) (MSOP, 2x3 TDFN)  MCP6V34: Quad Op Amp (TSSOP)  MCP6V34T: Quad Op Amp (Tape and Reel) (TSSOP)</p> <p><b>Temperature Range:</b> E = -40°C to +125°C (Extended)</p> <p><b>Package:</b></p> <p>LT = Plastic Small Outline Transistor, 5-lead  OT = Plastic Small Outline Transistor, 5-lead  MNY* = Plastic Dual Flat, No-Lead - 2x3x0.75 mm Body, 8-lead  MS = Plastic Micro Small Outline, 8-lead  ST = Plastic Thin Shrink Small Outline - 4.4 mm Body, 14-lead</p> <p>* Y = Nickel palladium gold manufacturing designator. Only available on the TDFN package.</p>				
<p><b>Examples:</b></p> <p>a) MCP6V31T-E/OT: Tape and Reel, Extended temperature, 5LD SOT-23 package</p> <p>a) MCP6V31UT-E/LT: Tape and Reel, Extended temperature, 5LD SC70 package</p> <p>b) MCP6V31UT-E/OT: Tape and Reel, Extended temperature, 5LD SOT-23 package</p> <p>a) MCP6V32-E/MS: Extended temperature, 8LD MSOP package</p> <p>b) MCP6V32T-E/MS: Tape and Reel, Extended temperature, 8LD MSOP package</p> <p>c) MCP6V32T-E/MNY: Tape and Reel, Extended temperature, 8LD 2x3 TDFN package</p> <p>a) MCP6V34-E/ST: Extended temperature, 14LD TSSOP package</p> <p>b) MCP6V34T-E/ST: Tape and Reel, Extended temperature, 14LD TSSOP package</p> <p><b>Note 1:</b> Tape and Reel identifier only appears in the catalog part number description. This identifier is used for ordering purposes and is not printed on the device package. Check with your Microchip Sales Office for package availability with the Tape and Reel option.</p>				

# MCP6V31/1U/2/4

---

NOTES:



---

**Note the following details of the code protection feature on Microchip devices:**

- Microchip products meet the specification contained in their particular Microchip Data Sheet.
- Microchip believes that its family of products is one of the most secure families of its kind on the market today, when used in the intended manner and under normal conditions.
- There are dishonest and possibly illegal methods used to breach the code protection feature. All of these methods, to our knowledge, require using the Microchip products in a manner outside the operating specifications contained in Microchip's Data Sheets. Most likely, the person doing so is engaged in theft of intellectual property.
- Microchip is willing to work with the customer who is concerned about the integrity of their code.
- Neither Microchip nor any other semiconductor manufacturer can guarantee the security of their code. Code protection does not mean that we are guaranteeing the product as “unbreakable.”

Code protection is constantly evolving. We at Microchip are committed to continuously improving the code protection features of our products. Attempts to break Microchip's code protection feature may be a violation of the Digital Millennium Copyright Act. If such acts allow unauthorized access to your software or other copyrighted work, you may have a right to sue for relief under that Act.

---

Information contained in this publication regarding device applications and the like is provided only for your convenience and may be superseded by updates. It is your responsibility to ensure that your application meets with your specifications. MICROCHIP MAKES NO REPRESENTATIONS OR WARRANTIES OF ANY KIND WHETHER EXPRESS OR IMPLIED, WRITTEN OR ORAL, STATUTORY OR OTHERWISE, RELATED TO THE INFORMATION, INCLUDING BUT NOT LIMITED TO ITS CONDITION, QUALITY, PERFORMANCE, MERCHANTABILITY OR FITNESS FOR PURPOSE. Microchip disclaims all liability arising from this information and its use. Use of Microchip devices in life support and/or safety applications is entirely at the buyer's risk, and the buyer agrees to defend, indemnify and hold harmless Microchip from any and all damages, claims, suits, or expenses resulting from such use. No licenses are conveyed, implicitly or otherwise, under any Microchip intellectual property rights.

#### **Trademarks**

The Microchip name and logo, the Microchip logo, dsPIC, FlashFlex, KEELOQ, KEELOQ logo, MPLAB, PIC, PICmicro, PICSTART, PIC<sup>32</sup> logo, rPIC, SST, SST Logo, SuperFlash and UNI/O are registered trademarks of Microchip Technology Incorporated in the U.S.A. and other countries.

FilterLab, Hampshire, HI-TECH C, Linear Active Thermistor, MTP, SEEVAL and The Embedded Control Solutions Company are registered trademarks of Microchip Technology Incorporated in the U.S.A.

Silicon Storage Technology is a registered trademark of Microchip Technology Inc. in other countries.


Analog-for-the-Digital Age, Application Maestro, BodyCom, chipKIT, chipKIT logo, CodeGuard, dsPICDEM, dsPICDEM.net, dsPICworks, dsSPEAK, ECAN, ECONOMONITOR, FanSense, HI-TIDE, In-Circuit Serial Programming, ICSP, Mindi, MiWi, MPASM, MPF, MPLAB Certified logo, MPLIB, MPLINK, mTouch, Omniclient Code Generation, PICC, PICC-18, PICDEM, PICDEM.net, PICkit, PICTail, REAL ICE, rLAB, Select Mode, SQI, Serial Quad I/O, Total Endurance, TSHARC, UniWinDriver, WiperLock, ZENA and Z-Scale are trademarks of Microchip Technology Incorporated in the U.S.A. and other countries.

SQTP is a service mark of Microchip Technology Incorporated in the U.S.A.

GestIC and ULPP are registered trademarks of Microchip Technology Germany II GmbH & Co. KG, a subsidiary of Microchip Technology Inc., in other countries.

All other trademarks mentioned herein are property of their respective companies.

© 2012-2014, Microchip Technology Incorporated, Printed in the U.S.A., All Rights Reserved.

 Printed on recycled paper.

ISBN: 978-1-63276-008-1

**QUALITY MANAGEMENT SYSTEM**  
**CERTIFIED BY DNV**  
**== ISO/TS 16949 ==**

*Microchip received ISO/TS-16949:2009 certification for its worldwide headquarters, design and wafer fabrication facilities in Chandler and Tempe, Arizona; Gresham, Oregon and design centers in California and India. The Company's quality system processes and procedures are for its PIC<sup>®</sup> MCUs and dsPIC<sup>®</sup> DSCs, KEELOQ<sup>®</sup> code hopping devices, Serial EEPROMs, microperipherals, nonvolatile memory and analog products. In addition, Microchip's quality system for the design and manufacture of development systems is ISO 9001:2000 certified.*



# MICROCHIP

## Worldwide Sales and Service

### AMERICAS

**Corporate Office**  
2355 West Chandler Blvd.  
Chandler, AZ 85224-6199  
Tel: 480-792-7200  
Fax: 480-792-7277  
Technical Support:  
<http://www.microchip.com/support>  
Web Address:  
[www.microchip.com](http://www.microchip.com)

**Atlanta**  
Duluth, GA  
Tel: 678-957-9614  
Fax: 678-957-1455

**Austin, TX**  
Tel: 512-257-3370

**Boston**  
Westborough, MA  
Tel: 774-760-0087  
Fax: 774-760-0088

**Chicago**  
Itasca, IL  
Tel: 630-285-0071  
Fax: 630-285-0075

**Cleveland**  
Independence, OH  
Tel: 216-447-0464  
Fax: 216-447-0643

**Dallas**  
Addison, TX  
Tel: 972-818-7423  
Fax: 972-818-2924

**Detroit**  
Novi, MI  
Tel: 248-848-4000

**Houston, TX**  
Tel: 281-894-5983

**Indianapolis**  
Noblesville, IN  
Tel: 317-773-8323  
Fax: 317-773-5453

**Los Angeles**  
Mission Viejo, CA  
Tel: 949-462-9523  
Fax: 949-462-9608

**New York, NY**  
Tel: 631-435-6000

**San Jose, CA**  
Tel: 408-735-9110

**Canada - Toronto**  
Tel: 905-673-0699  
Fax: 905-673-6509

### ASIA/PACIFIC

**Asia Pacific Office**  
Suites 3707-14, 37th Floor  
Tower 6, The Gateway  
Harbour City, Kowloon  
Hong Kong  
Tel: 852-2401-1200  
Fax: 852-2401-3431

**Australia - Sydney**  
Tel: 61-2-9868-6733  
Fax: 61-2-9868-6755

**China - Beijing**  
Tel: 86-10-8569-7000  
Fax: 86-10-8528-2104

**China - Chengdu**  
Tel: 86-28-8665-5511  
Fax: 86-28-8665-7889

**China - Chongqing**  
Tel: 86-23-8980-9588  
Fax: 86-23-8980-9500

**China - Hangzhou**  
Tel: 86-571-8792-8115  
Fax: 86-571-8792-8116

**China - Hong Kong SAR**  
Tel: 852-2943-5100  
Fax: 852-2401-3431

**China - Nanjing**  
Tel: 86-25-8473-2460  
Fax: 86-25-8473-2470

**China - Qingdao**  
Tel: 86-532-8502-7355  
Fax: 86-532-8502-7205

**China - Shanghai**  
Tel: 86-21-5407-5533  
Fax: 86-21-5407-5066

**China - Shenyang**  
Tel: 86-24-2334-2829  
Fax: 86-24-2334-2393

**China - Shenzhen**  
Tel: 86-755-8864-2200  
Fax: 86-755-8203-1760

**China - Wuhan**  
Tel: 86-27-5980-5300  
Fax: 86-27-5980-5118

**China - Xian**  
Tel: 86-29-8833-7252  
Fax: 86-29-8833-7256

**China - Xiamen**  
Tel: 86-592-2388138  
Fax: 86-592-2388130

**China - Zhuhai**  
Tel: 86-756-3210040  
Fax: 86-756-3210049

### ASIA/PACIFIC

**India - Bangalore**  
Tel: 91-80-3090-4444  
Fax: 91-80-3090-4123

**India - New Delhi**  
Tel: 91-11-4160-8631  
Fax: 91-11-4160-8632

**India - Pune**  
Tel: 91-20-3019-1500

**Japan - Osaka**  
Tel: 81-6-6152-7160  
Fax: 81-6-6152-9310

**Japan - Tokyo**  
Tel: 81-3-6880-3770  
Fax: 81-3-6880-3771

**Korea - Daegu**  
Tel: 82-53-744-4301  
Fax: 82-53-744-4302

**Korea - Seoul**  
Tel: 82-2-554-7200  
Fax: 82-2-558-5932 or  
82-2-558-5934

**Malaysia - Kuala Lumpur**  
Tel: 60-3-6201-9857  
Fax: 60-3-6201-9859

**Malaysia - Penang**  
Tel: 60-4-227-8870  
Fax: 60-4-227-4068

**Philippines - Manila**  
Tel: 63-2-634-9065  
Fax: 63-2-634-9069

**Singapore**  
Tel: 65-6334-8870  
Fax: 65-6334-8850

**Taiwan - Hsin Chu**  
Tel: 886-3-5778-366  
Fax: 886-3-5770-955

**Taiwan - Kaohsiung**  
Tel: 886-7-213-7830

**Taiwan - Taipei**  
Tel: 886-2-2508-8600  
Fax: 886-2-2508-0102

**Thailand - Bangkok**  
Tel: 66-2-694-1351  
Fax: 66-2-694-1350

### EUROPE

**Austria - Wels**  
Tel: 43-7242-2244-39  
Fax: 43-7242-2244-393

**Denmark - Copenhagen**  
Tel: 45-4450-2828  
Fax: 45-4485-2829

**France - Paris**  
Tel: 33-1-69-53-63-20  
Fax: 33-1-69-30-90-79

**Germany - Dusseldorf**  
Tel: 49-2129-3766400

**Germany - Munich**  
Tel: 49-89-627-144-0  
Fax: 49-89-627-144-44

**Germany - Pforzheim**  
Tel: 49-7231-424750

**Italy - Milan**  
Tel: 39-0331-742611  
Fax: 39-0331-466781

**Italy - Venice**  
Tel: 39-049-7625286

**Netherlands - Drunen**  
Tel: 31-416-690399  
Fax: 31-416-690340

**Poland - Warsaw**  
Tel: 48-22-3325737

**Spain - Madrid**  
Tel: 34-91-708-08-90  
Fax: 34-91-708-08-91

**Sweden - Stockholm**  
Tel: 46-8-5090-4654

**UK - Wokingham**  
Tel: 44-118-921-5800  
Fax: 44-118-921-5820

03/13/14



Компания «ЭлектроПласт» предлагает заключение долгосрочных отношений при поставках импортных электронных компонентов на взаимовыгодных условиях!

Наши преимущества:

- Оперативные поставки широкого спектра электронных компонентов отечественного и импортного производства напрямую от производителей и с крупнейших мировых складов;
- Поставка более 17-ти миллионов наименований электронных компонентов;
- Поставка сложных, дефицитных, либо снятых с производства позиций;
- Оперативные сроки поставки под заказ (от 5 рабочих дней);
- Экспресс доставка в любую точку России;
- Техническая поддержка проекта, помощь в подборе аналогов, поставка прототипов;
- Система менеджмента качества сертифицирована по Международному стандарту ISO 9001;
- Лицензия ФСБ на осуществление работ с использованием сведений, составляющих государственную тайну;
- Поставка специализированных компонентов (Xilinx, Altera, Analog Devices, Intersil, Interpoint, Microsemi, Aeroflex, Peregrine, Syfer, Eurofarad, Texas Instrument, Miteq, Cobham, E2V, MA-COM, Hittite, Mini-Circuits, General Dynamics и др.);

Помимо этого, одним из направлений компании «ЭлектроПласт» является направление «Источники питания». Мы предлагаем Вам помощь Конструкторского отдела:

- Подбор оптимального решения, техническое обоснование при выборе компонента;
- Подбор аналогов;
- Консультации по применению компонента;
- Поставка образцов и прототипов;
- Техническая поддержка проекта;
- Защита от снятия компонента с производства.



#### Как с нами связаться

**Телефон:** 8 (812) 309 58 32 (многоканальный)

**Факс:** 8 (812) 320-02-42

**Электронная почта:** [org@eplast1.ru](mailto:org@eplast1.ru)

**Адрес:** 198099, г. Санкт-Петербург, ул. Калинина, дом 2, корпус 4, литера А.