



## Packaging Information

| PACKAGING ORDERING CODE  |                        |   |
|--------------------------|------------------------|---|
| ANTI-STATIC PACKAGE CODE | PREFERRED PACKAGE CODE | PACKAGING DESCRIPTION   |
| 51                       |                        | Bulk  |
| 52, 52T                  | P                      | DO-214AA (SMB)/DO-215AA (SMBG), 12 mm tape, 7" diameter plastic reel                            |
| 2D                       | P                      | DO-218AB (SM5-8A), 24 mm tape, 13" diameter plastic reel, anode towards sprocket hole           |
| 2E                       |                        | DO-218AB (SM5-8A), 24 mm tape, 13" diameter plastic reel, cathode towards sprocket hole         |
| 2M                       |                        | Tube packaging for 5KP/6KA type lead formed components  |
| 2N                       |                        | DO-218AB, 24 mm tape, 13" diameter plastic reel with dry packaging, anode towards sprocket hole |
| 53                       |                        | 26 mm horizontal taping and ammo box packaging  |
| 54                       | P                      | 52.4 mm horizontal tape, 13" diameter paper reel  |
| 5A, 5AT                  | P                      | DO-214AC (SMA), 12 mm tape, 13" diameter plastic reel   |
| 5B, 5BT                  | P                      | DO-214AA (SMB)/DO-215AA (SMBG), 12 mm tape, 13" diameter plastic reel                           |
| 5CA                      | P                      | DO-214BA (GF1), 12 mm tape, 13" diameter plastic reel   |
| 57, 57T                  | P                      | DO-214AB (SMC)/DO-215AB (SMCG), 16 mm tape, 7" diameter plastic reel                            |
| 6A                       | P                      | DO-221AC (SlimSMA), 12 mm tape, 7" diameter plastic reel  |
| 6B                       | P                      | DO-221AC (SlimSMA), 12 mm tape, 13" diameter plastic reel                                       |
| 9A, 9AT                  | P                      | DO-214AB (SMC)/DO-215AB (SMCG), 16 mm tape, 13" diameter plastic reel                           |
| 61, 61T                  | P                      | DO-214AC (SMA), 12 mm tape, 7" diameter plastic reel  |
| 67A                      | P                      | DO-214BA (GF1), 12 mm tape, 7" diameter plastic reel  |
| 72                       | P                      | Bulk pack for bridge and special axial-leaded formed devices                                    |
| 73                       |                        | 52.4 mm horizontal tape and ammo box packaging  |
| 77                       | P                      | DFS bridge, 16 mm tape, 13" diameter paper reel   |
| 80                       | P                      | TO-269AA (MB-S) bridge, 12 mm tape, 13" diameter paper reel                                     |
| 81                       | P                      | TO-263AB 24 mm tape, 13" diameter reinforced hub plastic reel                                   |
| 8A                       | P                      | SMPD, 24 mm tape, 13" diameter plastic reel   |
| 8W                       | P                      | TO-263AB (wire bond) 24 mm tape, 13" diameter reinforced hub plastic reel                       |
| 83                       | P                      | DO-213AA (GL34) 8 mm tape, 13" diameter plastic reel  |
| 84A                      | P                      | DO-220AA (SMP) 12 mm tape, 7" diameter plastic reel   |
| 85A                      | P                      | DO-220AA (SMP) 12 mm tape, 13" diameter plastic reel  |
| 86A                      | P                      | TO-277A (SMPC), 12 mm tape, 7" diameter plastic reel  |
| 87A                      | P                      | TO-277A (SMPC), 12 mm tape, 13" diameter plastic reel   |
| 38                       |                        | Lead forming bulk packaging in anti-static bags   |
| 89A                      | P                      | MicroSMP, 8 mm tape, 7" diameter plastic reel   |
| 90                       |                        | Euroform, reel, cathode first off reel, lead coated   |
| 91                       |                        | Euroform, ammo pack, cathode first out of ammo pack, lead coated                                |
| 92                       |                        | Euroform, reel, cathode last off reel, lead coated  |
| 93                       |                        | Euroform, ammo pack, cathode last out of ammo pack, lead coated                                 |
| 45                       | P                      | Anti-static tube packaging for Bridge and Power Pack  |
| 4W                       | P                      | Anti-static tube packaging for wire bond TO-220, ITO-220, TO-262 and TO-263                     |
| 96                       | P                      | DO-213AB (GL41), 12 mm tape, 7" diameter plastic reel   |
| 97                       | P                      | DO-213AB (GL41), 12 mm tape, 13" diameter plastic reel  |
| 98                       | P                      | DO-213AA (GL34), 8 mm tape, 7" diameter plastic reel  |
| 100                      |                        | MPG06 pseudo radial tape, cathode first out of ammo pack  |
| H                        | P                      | Tape in 7" diameter plastic reel  |
| I                        | P                      | Tape in 13" diameter plastic reel   |
| TR                       | P                      | DO-214AC (SMA), 12 mm tape, 7" diameter plastic reel <sup>(1)</sup>                             |
| TR3                      | P                      | DO-214AC (SMA), 12 mm tape, 13" diameter plastic reel <sup>(1)</sup>                            |

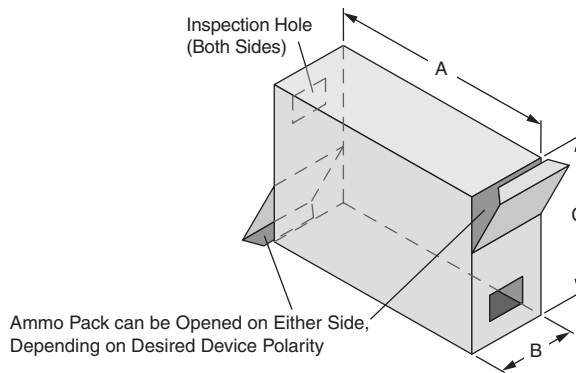
### Notes

- <sup>(1)</sup> Formerly sold by Vishay Telefunken® (Telefunken® is a registered trademark of Electro Holding GmbH).
- "P" and bold letter denotes preferred package code.
- A "T" suffix added to the packaging codes for SMA, SMB and SMC products indicates that the patented folded-frame construction is used. This does not apply to TR and TR3 codes or TRANSZORB® TVS in SMA and SMB.



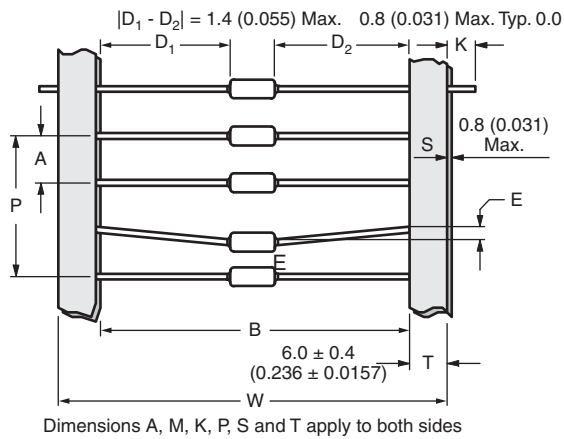
| <b>BULK PACKAGING</b>               |                        |                           |                   |                    |          |
|-------------------------------------|------------------------|---------------------------|-------------------|--------------------|----------|
| CASE TYPES                          | PREFERRED PACKAGE CODE | PACKAGING                 | BOX SIZE          |                    | QUANTITY |
|                                     |                        |                           | INCHES            | cm                 | EA.      |
| DF-M, DF-S, DFL-S                   | 45                     | Anti-static plastic tubes | 17.4 length       | 44.1 length        | 50       |
| GSIB-3S                             | 45                     | Anti-static plastic tubes | 25.1 length       | 63.9 length        | 20       |
| GSIB-5S, PB                         | 45                     | Anti-static plastic tubes | 24.2 length       | 61.5 length        | 20       |
| GBU, BU                             | 45                     | Anti-static plastic tubes | 18.5 length       | 47 length          | 20       |
| GBL                                 | 45                     | Anti-static plastic tubes | 17.5 length       | 44.5 length        | 20       |
| KBPM                                | 45                     | Anti-static plastic tubes | 18.5 length       | 47 length          | 30       |
| TO-220AB/AC, ITO-220AC/AB, TO-262AA | 45, 4W                 | Anti-static plastic tubes | 21.0 length       | 53.7 length        | 50       |
| TO-247AD                            | 45                     | Anti-static plastic tubes | 20.0 length       | 50.8 length        | 30       |
| TO-269AA (MB-S)                     | 45                     | Anti-static plastic tubes | 20.3 x 0.41       | 51.5 x 1.04        | 100      |
| KBPM                                | 51                     | Anti-static PVC tray      | 12.5 x 6.5 x 1.25 | 31.7 x 16.5 x 3.17 | 600      |
| GBL                                 | 51                     | Anti-static PVC tray      | 12.5 x 6.1 x 1.0  | 30.9 x 15.5 x 2.5  | 400      |
| GBPC12-35W                          | 51                     | Paper box                 | 12.5 x 12.5 x 1.7 | 31.7 x 31.7 x 4.3  | 100      |
| GBPC1, GBPC6                        | 51                     | Paper box                 | 7.5 x 7.5 x 1.43  | 19.0 x 19.0 x 3.6  | 100      |
| KBL                                 | 51                     | Anti-static PVC tray      | 12.2 x 6.1 x 1.5  | 30.9 x 15.5 x 3.8  | 300      |
| GBPC12-35                           | 51                     | Paper box                 | 12.5 x 12.5 x 1.7 | 31.7 x 31.7 x 4.3  | 100      |
| KBU4, 6, 8                          | 51                     | Anti-static PVC tray      | 12.2 x 6.1 x 1.5  | 30.9 x 15.5 x 3.8  | 250      |
| WOG, 2WOG                           | 51                     | Plastic bags              | -                 | -                  | 100      |
| GBU, /BU                            | 51                     | Paper tray                | 13.1 x 6.6 x 1.2  | 33.2 x 17.2 x 3.0  | 250      |
| KBPM                                | 72                     | Paper box                 | 7.4 x 7.4 x 1.5   | 18.8 x 18.8 x 3.8  | 200      |

## AXIAL-LEADED TAPE AND REEL PACKAGING



All axial-leaded devices are packed in accordance with EIA standard RS-296-E. The diagrams given below refer to these specifications.

| TABLE 1 - AMMO PACK PACKAGING                      |                                  |                        |                   |                  |                   |                      |
|--|----------------------------------|------------------------|-------------------|------------------|-------------------|----------------------|
| PACKAGING  | AVAILABLE PRODUCT OUTLINES       | PREFERRED PACKAGE CODE | DIMENSION A       | DIMENSION B      | DIMENSION C       | QUANTITY BOX         |
| 26 mm horizontal tape, ammo pack                   | DO-204AL (DO-41), MPG06          | 53                     | 9.7"<br>(247 mm)  | 1.7"<br>(44 mm)  | 3.7"<br>(95 mm)   | 3.0K                 |
|  | DO-204AC                         | 53                     |                   |                  |                   | 1.5K                 |
|  | P300                             | 53                     |                   |                  |                   | 0.75K                |
| 52 mm horizontal tape, ammo pack                   | DO-204AL, MPG06                  | 73                     | 10.0"<br>(255 mm) | 3.15"<br>(80 mm) | 4.53"<br>(115 mm) | 3.0K                 |
|  | DO-204AC                         | 73                     |                   |                  |                   | 2.0K                 |
|  | DO201AD, GP20                    | 73                     |                   |                  |                   | 1.0K                 |
|  | P600                             | 73                     |                   |                  |                   | 0.3K                 |
| Radial (avisert, panasert, euroform) vertical tape | GP10-E, RGP10-E, GP10-E, RGP10-E | 91, 93                 | 13.4"<br>(340 mm) | 1.8"<br>(47 mm)  | 7.9"<br>(200 mm)  | 2.0K<br>2.5K<br>2.0K |
| Pseudo/radial tape, ammo pack                      | MPG06                            | 100                    | 13.4"<br>(340 mm) | 1.8"<br>(47 mm)  | 7.9"<br>(200 mm)  | 2.0K                 |

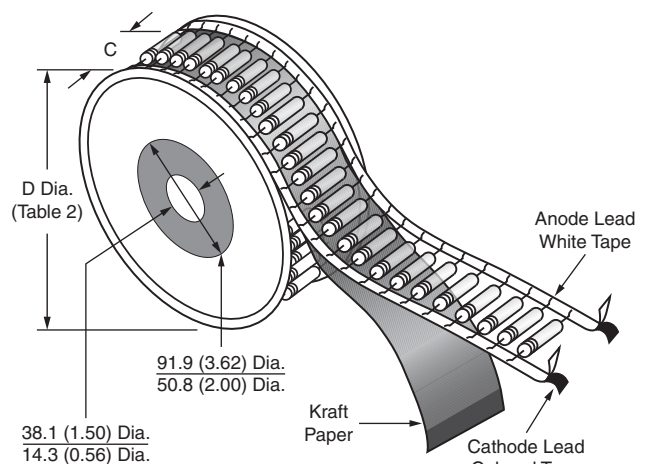


Dimensions in millimeters (inches)

| Description               | Symbol        |      |
|---------------------------|---------------|------|
| Component Pitch           | A             | 2, 3 |
| Inside Tape Spacing       | B             | 2, 3 |
| Lead to Lead Eccentricity | $ D_1 - D_2 $ | -    |
| Lead Extension            | K             | -    |
| Lead Bending              | E             | 2    |
| Cumulative Pitch          | P             | 3    |
| Exposed Adhesive          | S             | -    |
| Tape Width                | T             | -    |

All polarized components shall be oriented in the same direction

Fig. 1



The "C" dimension of Fig. 2 is between flanges of the component reel and shall be 1.5 mm (0.059") to 8.00 mm (0.315") greater than the overall taped component width "W" (Fig. 1). Where "W" dimension is 68.2 mm (2.68") max.

Fig. 2



**AXIAL-LEADED TAPE AND REEL PACKAGING**

| <b>TABLE 2 - REEL AND AMMO PACK TAPING SPECIFICATIONS</b> |                          |                |                            |        |                                |        |                           |         |                         |        |
|---|--------------------------|----------------|----------------------------|--------|--------------------------------|--------|---------------------------|---------|-------------------------|--------|
| COMPONENT CASE TYPE                                       | PREFERRED PACKAGE CODE   | UNITS PER REEL | COMPONENT PITCH "A" Fig. 1 |        | INSIDE TAPE SPACING "B" Fig. 1 |        | REEL DIMENSION "D" Fig. 2 |         | LEAD BENDING "E" Fig. 1 |        |
|   |                          |                | EA.                        | INCHES | mm                             | INCHES | mm                        | INCHES  | mm                      | INCHES |
| 1.5KA (PAR)   | 54                       | 1400           | 0.395                      | 10.0   | 2.06                           | 52.4   | 13.0                      | 330     | 0.047                   | 1.2    |
| DO-204AC  | 54                       | 4000           | 0.200                      | 5.0    | 2.06                           | 52.4   | 13.0                      | 330     | 0.047                   | 1.2    |
| DO-201AD  | 54                       | 1400           | 0.395                      | 10.0   | 2.06                           | 52.4   | 13.0                      | 330     | 0.047                   | 1.2    |
| DO-204AL  | 54                       | 5500           | 0.200                      | 5.0    | 2.06                           | 52.4   | 13.0                      | 330     | 0.047                   | 1.2    |
| DFS Surface Mount   | 77                       | 1500           | Fig. 13                    |        | -                              | -      | 13.0                      | 330     | Fig. 13                 | -      |
| DO-214BA (GF1)  | 67A/5CA                  | 1500/6500      |                            |        | -                              | -      | 7.0/13.0                  | 178/330 | Fig. 13                 | -      |
| DO-213AA (GL34)   | 98/83                    | 2500/9000      |                            |        | -                              | -      | 7.0/13.0                  | 178/330 | Fig. 13                 | -      |
| DO-213AB (GL41)   | 96/97                    | 1500/5000      |                            |        | -                              | -      | 7.0/13.0                  | 178/330 | Fig. 13                 | -      |
| GP10E Radial  | Fig. 7 and Fig. 8        | 2500           | 0.500                      | 12.7   | -                              | -      | 13.0                      | 330     | 0.079                   | 2.0    |
| GP10E   | 54                       | 5500           | 0.200                      | 5.0    | 2.06                           | 52.4   | 13.0                      | 330     | 0.047                   | 1.2    |
| GP20/1.5KE  | 54                       | 1400           | 0.395                      | 10.0   | 2.06                           | 52.4   | 13.0                      | 330     | 0.047                   | 1.2    |
| MPG06   | 100                      | 5500           | 0.200                      | 5.0    | 2.06                           | 52.4   | 13.0                      | 330     | 0.047                   | 1.2    |
| P600  | 54                       | 800            | 0.395                      | 10.0   | 2.06                           | 52.4   | 13.0                      | 330     | 0.047                   | 1.2    |
| DO-220AA (SMP)  | 84A/85A                  | 3000/10 000    | Fig. 13                    |        | -                              | -      | 7.0/13.0                  | 178/330 | Fig. 13                 | -      |
| SMPD  | 8A                       | 2000           |                            |        | -                              | -      | 13.0                      | 330     | Fig. 13                 | -      |
| MicroSMP  | 89A                      | 4500           |                            |        | -                              | -      | 7.0                       | 178     | Fig. 13                 | -      |
| TO-277A (SMPC)  | 86A/87A                  | 1500/6500      |                            |        | -                              | -      | 7.0/13.0                  | 178/330 | Fig. 13                 | -      |
| DO-214AC (SMA)  | 61, 61T, TR/5A, 5AT, TR3 | 1800/7500      |                            |        | -                              | -      | 7.0/13.0                  | 178/330 | Fig. 13                 | -      |
| DO-214AA (SMB)/ DO-215AA (SMBG)                           | 52, 52T/5B, 5BT          | 750/3200       |                            |        | -                              | -      | 7.0/13.0                  | 178/330 | Fig. 13                 | -      |
| DO-214AB (SMC)/ DO-215AB (SMCG)                           | 57T/9AT                  | 850/3500       |                            |        | -                              | -      | 7.0/13.0                  | 178/330 | Fig. 13                 | -      |
| DO-218AB  | 2D                       | 750            |                            |        | -                              | -      | 13.0                      | 330     | Fig. 13                 | -      |
| TO-263AB  | 81, 8W                   | 800            |                            |        | -                              | -      | 13.0                      | 330     | Fig. 13                 | -      |
| TO-269AA (MB-S)   | 80                       | 3000           |                            |        | -                              | -      | 13.0                      | 330     | Fig. 13                 | -      |
| DO-221AC (SlimSMA)  | 6A/6B                    | 3500/14 000    |                            |        | -                              | -      | 7.0/13.0                  | 178/330 | Fig. 13                 | -      |

**Note**

- Package codes, 61/5A, 52/5B are matrix-frame constructions for TRANSZORB® TVS in SMA and SMB only.

| <b>TABLE 3 - COMPONENT AND INSIDE HORIZONTAL TAPE SPACING</b> |                                     |  |   |
|---|-------------------------------------|--|---|
| COMPONENT BODY DIAMETER                                       | COMPONENTS SPACING A (LEAD TO LEAD) | INSIDE TAPE SPACING "B"                              | CUMULATIVE PITCH TOLERANCE                                  |
| 0 mm to 5 mm (0.0" to 0.197")                                 | 5.0 mm ± 0.5 mm (0.197" ± 0.020")   | 26 mm + 1.5 mm/- 0.0 mm (1.024" + 0.059"/- 0.0")     | Not to exceed 1.5 mm (0.059") over 6 consecutive components |
| 0 mm to 5 mm (0.0" to 0.197")                                 | 5.0 mm ± 0.5 mm (0.197" ± 0.020")   | 52.4 mm + 1.5 mm/- 0.4 mm (2.062" + 0.059"/- 0.016") |   |
| 5.01 mm to 10 mm (0.197" to 0.394")                           | 10 mm ± 0.5 mm (0.394" ± 0.020")    | 52.4 mm + 1.5 mm/- 0.4 mm (2.062" + 0.059"/- 0.016") |   |

### DIMENSIONS in millimeters (inches)

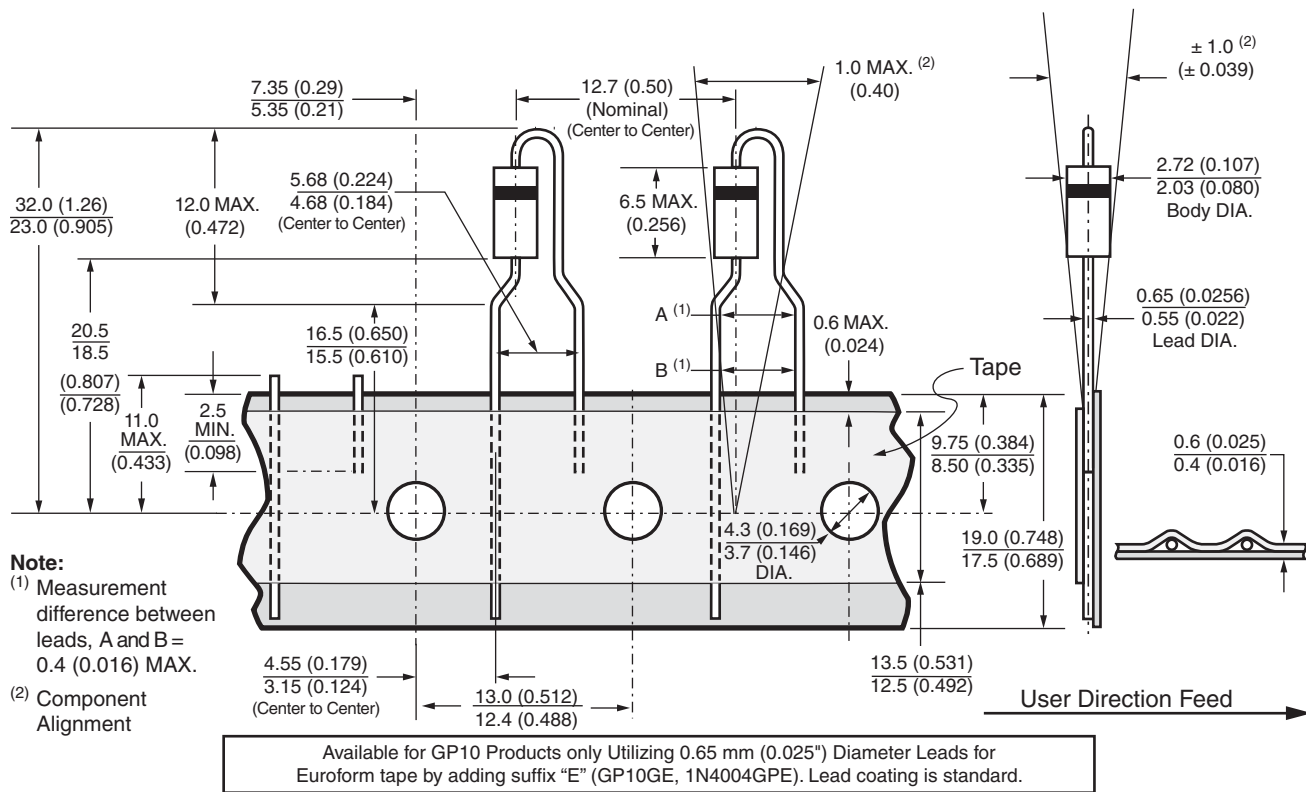


Fig. 3 - Euroform

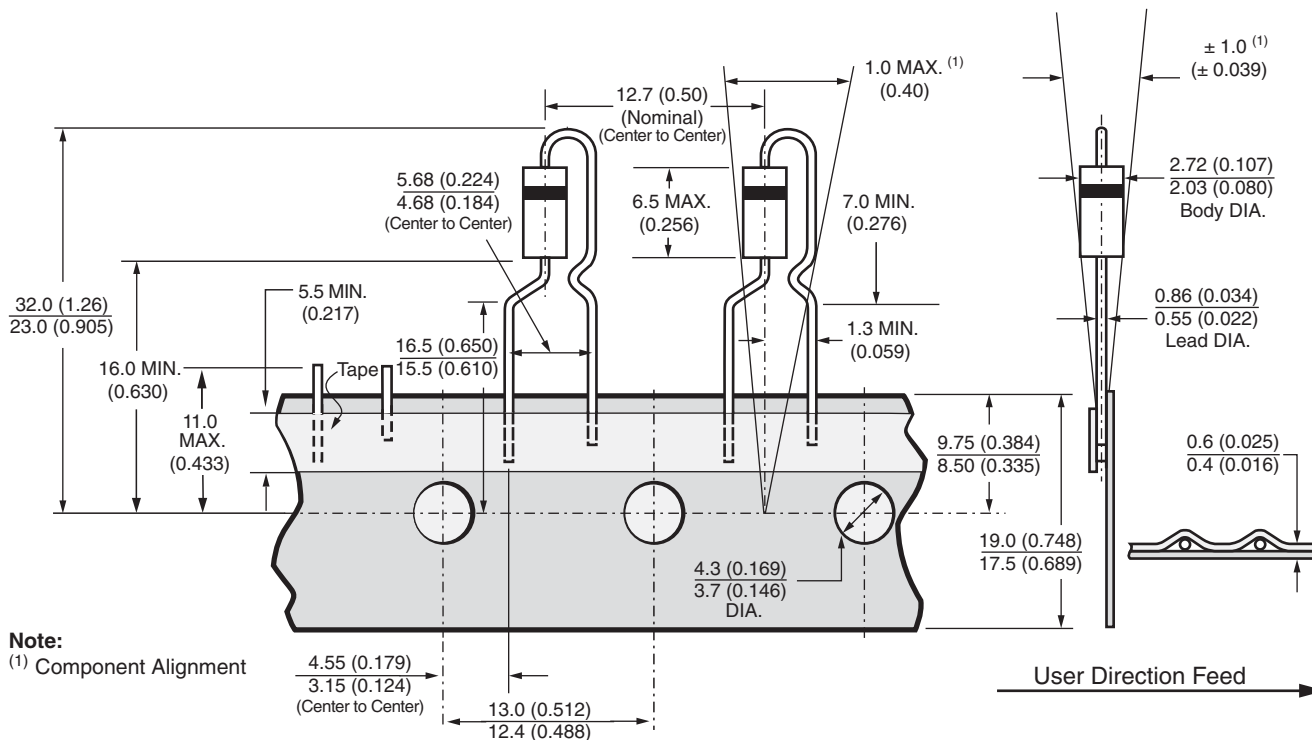
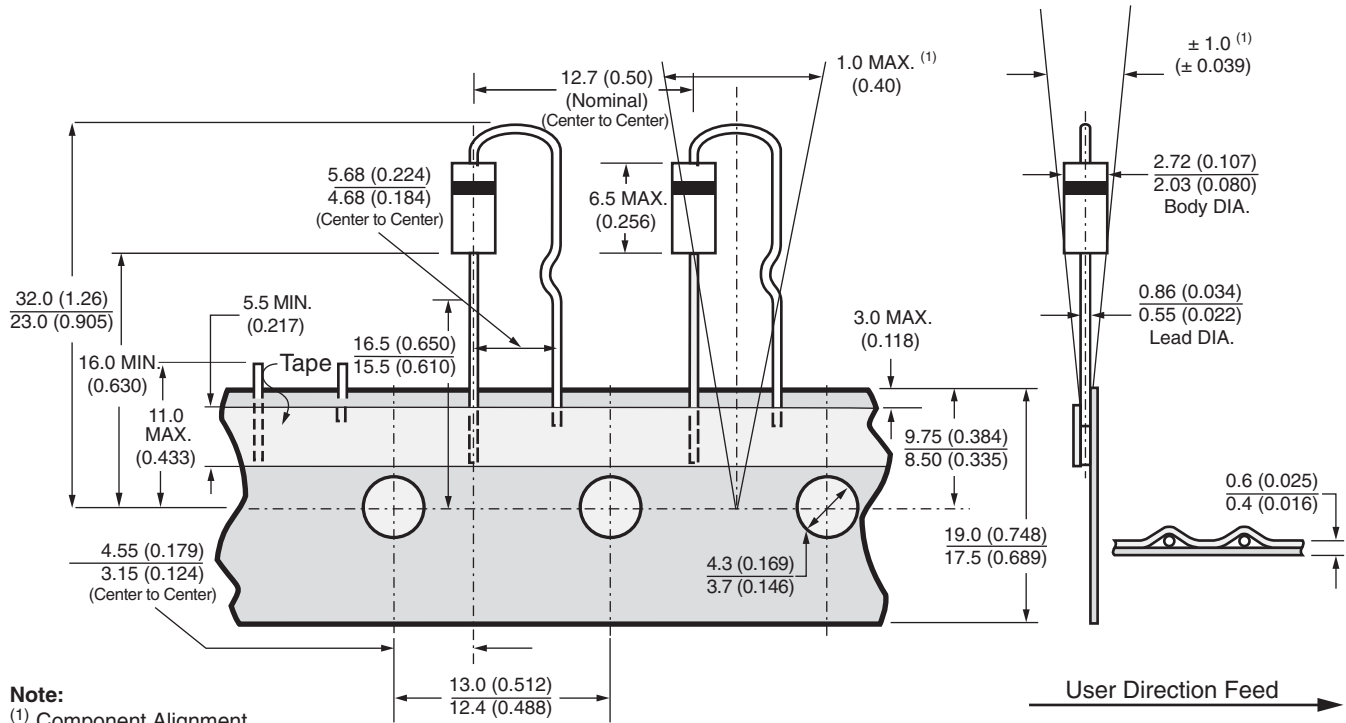


Fig. 4 - Panasert

**DIMENSIONS** in millimeters (inches)

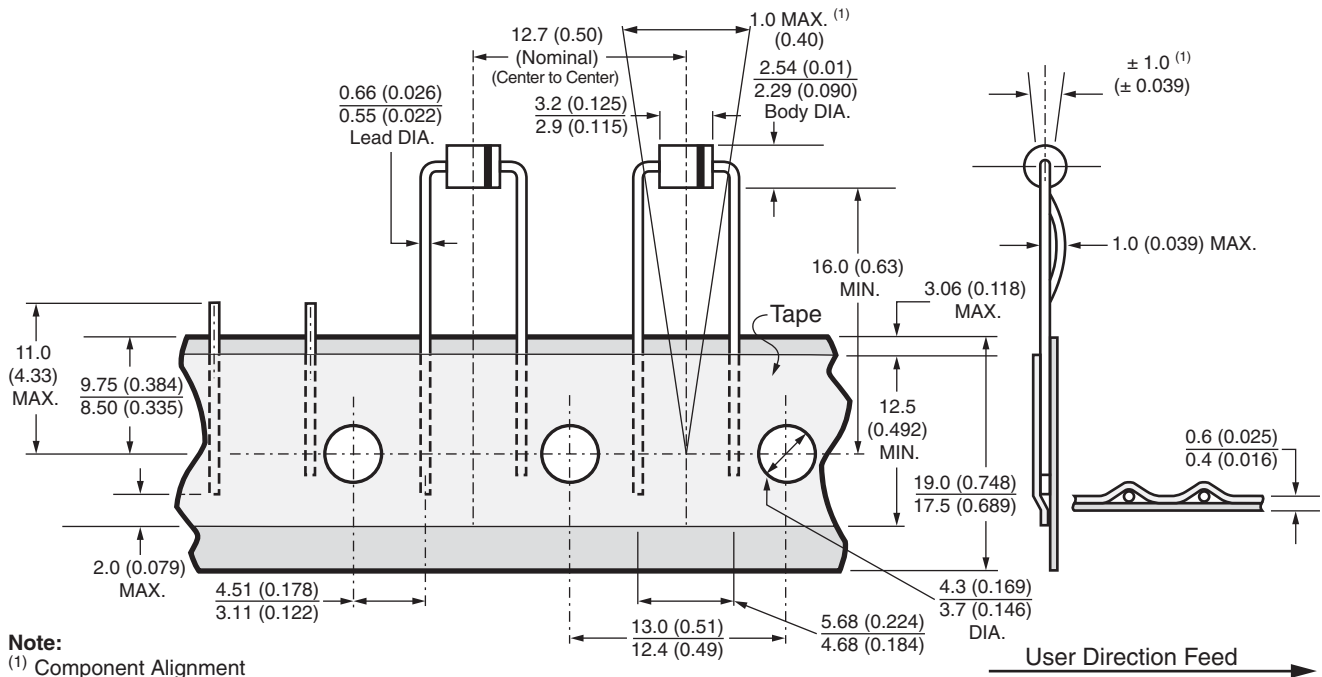


**Note:**  
(1) Component Alignment

Available only for GP10 style products utilizing 0.65 mm (0.025") or 0.76 mm (0.030") diameter leads for Panaset and Avisert tape. Lead coating is available on GP10 products only.

Standard Polarity Cathode Oriented Away from Sprocket Holes (Optional Polarity Cathode Oriented Toward Sprocket Holes)

Fig. 5 - Avisert



**Note:**  
(1) Component Alignment

Available only for MPG06 Product in Ammo Pack in Accordance with EIA Standard RS-468-A Utilizing 0.61 mm (0.024") Diameter Leads. Maximum Cumulative Pitch Tolerance: 1.0 mm (0.039")/20 Pitch.

Fig. 6 - Pseudo Radial

## RADIAL TAPE PACKAGING

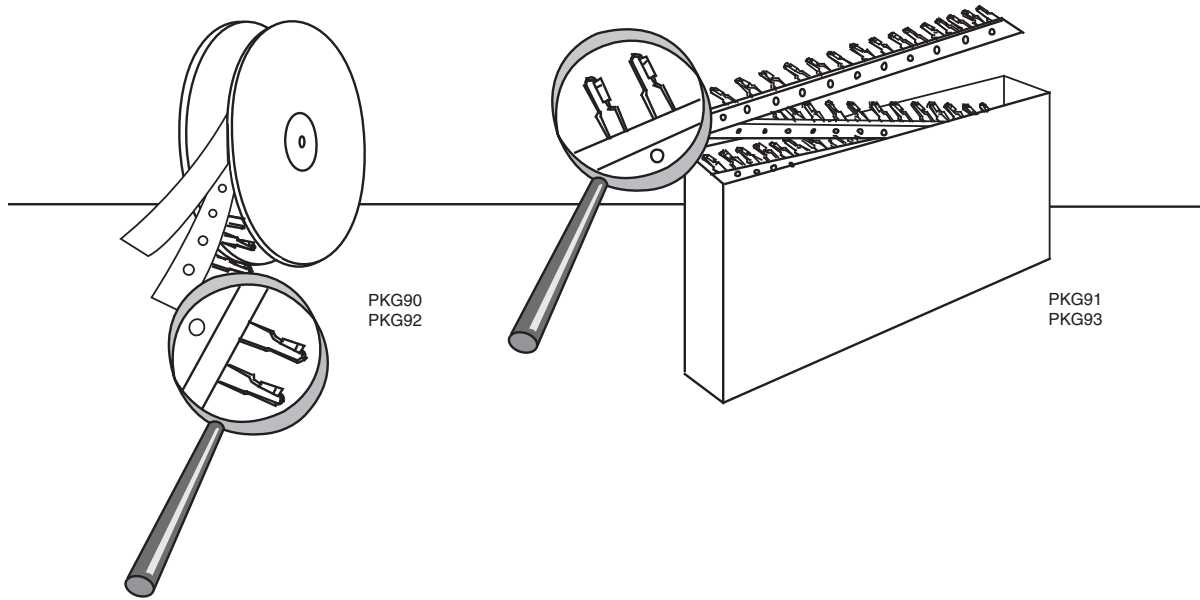


Fig. 7 and Fig. 8 - Reel and Ammo Box Packaging

| PREFERRED PACKAGE CODE |                            |
|------------------------|----------------------------|
| EUROFORM               | PKG90, PKG91, PKG92, PKG93 |

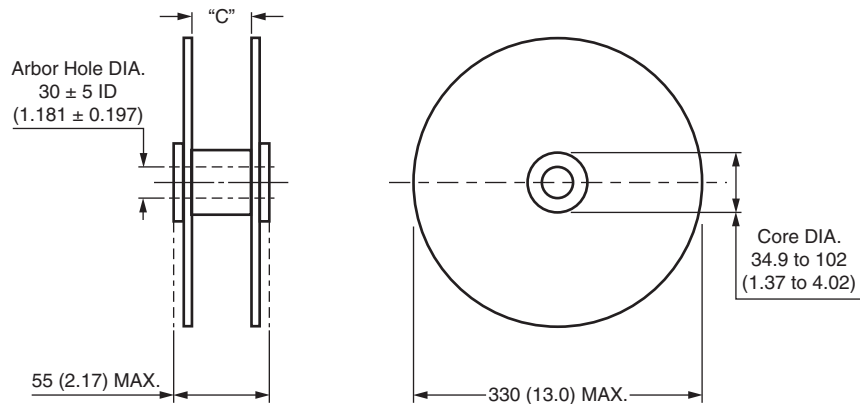


Fig. 9 - Reel Dimensions

### Notes

- "C" dimension between the reel flanges shall be governed by the overall width of the taped components and shall be 1.5 mm (0.057") to 8.0 mm (0.315") greater than the overall width
- All leaded devices are packaged in accordance with EIA standard RS-468-A specification and are available on reel or in fan fold box (ammo pack)
- All dimensions are in millimeters and (inches). The above packaging is only available from Taiwan.

## SURFACE MOUNT TAPE AND REEL PACKAGING

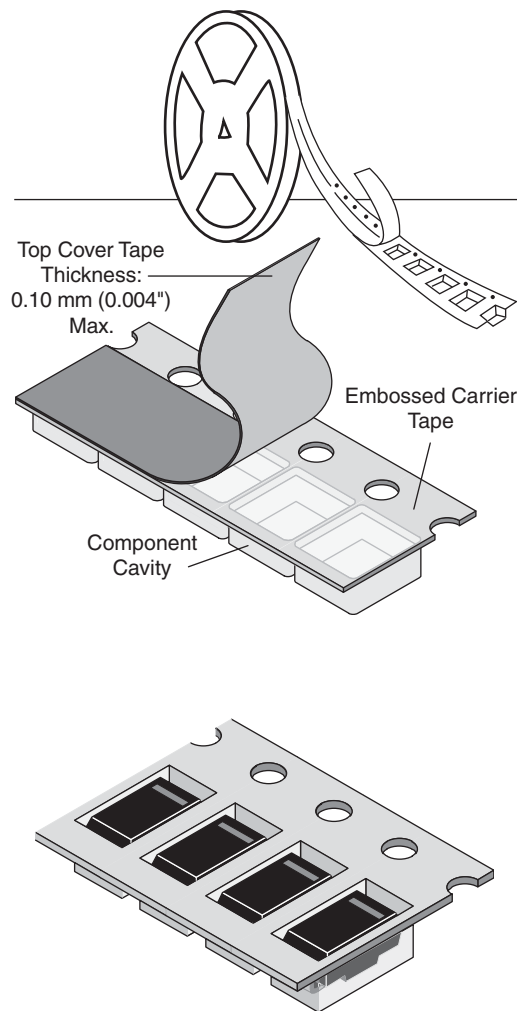


Fig. 10

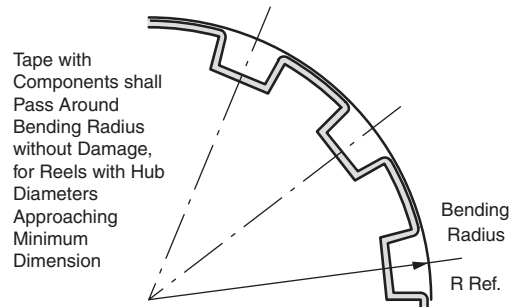


Fig. 11

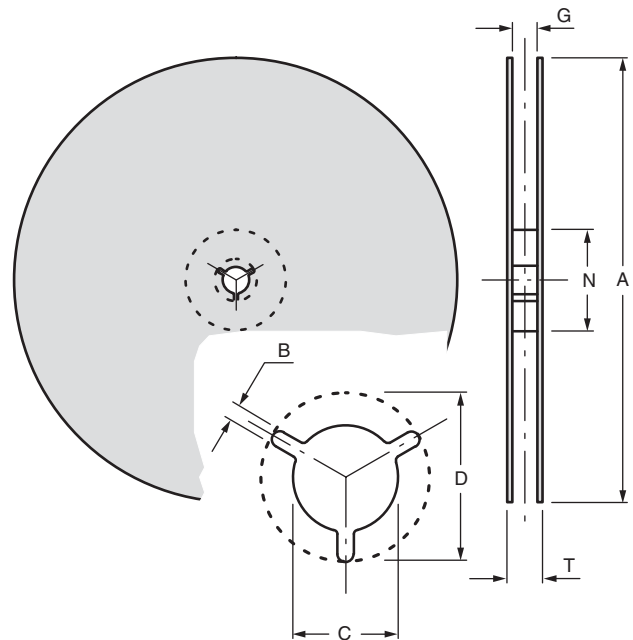


Fig. 12

| DIMENSIONS in millimeters (inches) |   |             |                                |              |           |              |              |
|------------------------------------|---|-------------|--------------------------------|--------------|-----------|--------------|--------------|
| TAPE SIZE                          | A<br>MAX.   | B<br>MIN.   | C                              | D<br>MIN.    | N<br>MIN. | G<br>MAX.    | T<br>MAX.    |
| 8 mm (0.315)                       | 330 ± 2.0 (13.0 ± 0.079)<br>178 ± 2.0 (7.0 ± 0.079) | 1.5 (0.059) | 13.0 ± 0.20<br>(0.51 ± 0.0008) | 20.2 (0.795) | 50 (1.97) | 9.9 (0.389)  | 14.4 (0.567) |
| 12 mm (0.472)                      | 330 ± 2.0 (13.0 ± 0.079)<br>178 ± 2.0 (7.0 ± 0.079) | 1.5 (0.059) | 13.0 ± 0.20<br>(0.51 ± 0.0008) | 20.2 (0.795) | 50 (1.97) | 14.4 (0.567) | 18.4 (0.724) |
| 16 mm (0.630)                      | 330 ± 2.0 (13.0 ± 0.079)<br>178 ± 2.0 (7.0 ± 0.079) | 1.5 (0.059) | 13.0 ± 0.20<br>(0.51 ± 0.0008) | 20.2 (0.795) | 50 (1.97) | 18.4 (0.724) | 22.4 (0.802) |
| 24 mm (0.945)                      | 330 ± 2.0 (13.0 ± 0.079)<br>178 ± 2.0 (7.0 ± 0.079) | 1.5 (0.059) | 13.0 ± 0.20<br>(0.51 ± 0.0008) | 20.2 (0.795) | 50 (1.97) | 26.4 (1.039) | 30.4 (1.197) |



## SURFACE MOUNT TAPE AND REEL PACKAGING

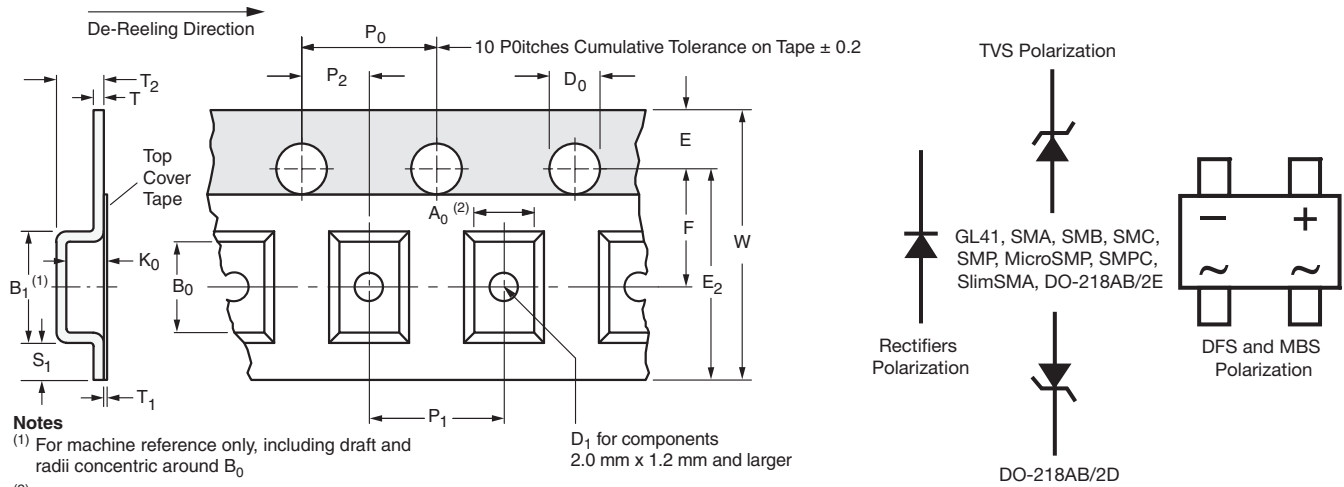


Fig. 13

| 8 mm, 12 mm, 16 mm, AND 24 mm EMBOSSED TAPE in millimeters (inches) |                                      |                                       |                                      |                                      |                 |                |                  |                |
|---|--------------------------------------|---------------------------------------|--------------------------------------|--------------------------------------|-----------------|----------------|------------------|----------------|
| TAPE SIZE   | $D_0$                                | $E_1$                                 | $P_0$                                | $P_2$                                | $A_0, B_0, K_0$ | $S_1$ MIN.     | T MAX.           | $T_1$ MAX.     |
| 8 mm, 12 mm   | $1.5 \pm 0.1$<br>(0.059 $\pm$ 0.004) | $1.75 \pm 0.1$<br>(0.069 $\pm$ 0.004) | $4.0 \pm 0.1$<br>(0.157 $\pm$ 0.004) | $2.0 \pm 0.05$<br>(0.79 $\pm$ 0.002) | (1)             | 0.6<br>(0.024) | 0.600<br>(0.024) | 0.1<br>(0.004) |
| 16 mm, 24 mm  |                                      |                                       |                                      | $2.0 \pm 0.1$<br>(0.79 $\pm$ 0.004)  |                 |                |                  |                |

| DIMENSIONS in millimeters (inches) |               |                 |                |                  |                                       |                                       |               |                  |  |
|------------------------------------|---------------|-----------------|----------------|------------------|---------------------------------------|---------------------------------------|---------------|------------------|--|
| CASE TYPE                          | TAPE SIZE     | $B_1$ MAX.      | $D_1$ MIN.     | $E_2$ MAX.       | F                                     | $P_1$                                 | R REF.        | $T_2$ MAX.       | W                                      |
| DO-213AA (GL34)                    | 8<br>(0.315)  | 4.2<br>(0.165)  | 1.0<br>(0.39)  | 6.25<br>(0.246)  | $3.5 \pm 0.05$<br>(0.138 $\pm$ 0.002) | $4.0 \pm 0.10$<br>(0.57 $\pm$ 0.004)  | 25<br>(0.984) | 2.4<br>(0.094)   | $8.0 \pm 0.30$<br>(0.315 $\pm$ 0.012)  |
| MicroSMP                           |               | 3.28<br>(0.129) |                | 6.05<br>(0.238)  |                                       |                                       |               | 1.919<br>(0.076) |  |
| DO-213AB (GL41)                    | 12<br>(0.472) | 8.2<br>(0.323)  | 1.5<br>(0.059) | 10.25<br>(0.404) | $5.5 \pm 0.05$<br>(0.217 $\pm$ 0.002) | $4.0 \pm 0.10$<br>(0.57 $\pm$ 0.004)  | 30<br>(1.181) | 4.5<br>(0.177)   | $12.0 \pm 0.30$<br>(0.472 $\pm$ 0.012) |
| DO-214BA (GF1)                     |               |                 |                |                  |                                       |                                       |               | 3.25<br>(0.128)  |  |
| DO-214AC(SMA)                      |               |                 |                |                  |                                       |                                       |               | 2.64<br>(0.104)  |  |
| DO-220AA (SMP)                     |               |                 |                |                  |                                       |                                       |               | 1.84<br>(0.072)  |  |
| TO-277A (SMPC)                     |               |                 |                |                  |                                       |                                       |               | 1.43<br>(0.056)  |  |
| DO-214AA (SMB)/<br>DO-215AA (SMBG) |               |                 |                |                  |                                       |                                       |               | 2.77<br>(0.109)  |  |
| DO-214AB (SMC)/<br>DO-215AB (SMCG) |               |                 |                |                  |                                       |                                       |               | 2.64<br>(0.104)  |  |
| DFS                                | 16<br>(0.630) | 12.1<br>(0.476) | 1.5<br>(0.059) | 14.25<br>(0.561) | $7.5 \pm 0.05$<br>(0.295 $\pm$ 0.002) | $4.0 \pm 0.10$<br>(0.157 $\pm$ 0.001) | 30<br>(1.181) | 3.91<br>(0.154)  | $16.0 \pm 0.2$<br>(0.630 $\pm$ 0.008)  |
| TO-263AB<br>DO-218AB               |               |                 |                |                  |                                       |                                       |               | 5.31<br>(0.209)  |  |
| SMPD                               |               |                 |                |                  |                                       |                                       |               | 2.35<br>(0.093)  |  |
| DO-221AC<br>(SlimSMA)              | 12<br>(0.472) | 6.2<br>(0.244)  | 1.5<br>(0.059) | 10.25<br>(0.404) | $5.5 \pm 0.05$<br>(0.217 $\pm$ 0.002) | $4.0 \pm 0.10$<br>(0.157 $\pm$ 0.001) | 30<br>(1.181) | 1.53<br>(0.060)  | $12.0 \pm 0.3$<br>(0.472 $\pm$ 0.012)  |

### Notes

- (1)  $A_0$ ,  $B_0$ , and  $K_0$  are determined by the maximum dimensions of the component size. The clearance between the component and the cavity must be within 0.05 mm (0.002") min. to 0.5 mm (0.02") max. for 8 mm tape and 12 mm tape, 0.15 mm (0.006") min. to 0.90 mm (0.035") max. for 16 mm tape and 0.15 mm (0.006") min. to 1.0 mm (0.59") max. for 24 mm tape.
- (2) All surface mount components are packed in accordance with EIA standard 481-C



Компания «ЭлектроПласт» предлагает заключение долгосрочных отношений при поставках импортных электронных компонентов на взаимовыгодных условиях!

Наши преимущества:

- Оперативные поставки широкого спектра электронных компонентов отечественного и импортного производства напрямую от производителей и с крупнейших мировых складов;
- Поставка более 17-ти миллионов наименований электронных компонентов;
- Поставка сложных, дефицитных, либо снятых с производства позиций;
- Оперативные сроки поставки под заказ (от 5 рабочих дней);
- Экспресс доставка в любую точку России;
- Техническая поддержка проекта, помощь в подборе аналогов, поставка прототипов;
- Система менеджмента качества сертифицирована по Международному стандарту ISO 9001;
- Лицензия ФСБ на осуществление работ с использованием сведений, составляющих государственную тайну;
- Поставка специализированных компонентов (Xilinx, Altera, Analog Devices, Intersil, Interpoint, Microsemi, Aeroflex, Peregrine, Syfer, Eurofarad, Texas Instrument, Miteq, Cobham, E2V, MA-COM, Hittite, Mini-Circuits, General Dynamics и др.);

Помимо этого, одним из направлений компании «ЭлектроПласт» является направление «Источники питания». Мы предлагаем Вам помощь Конструкторского отдела:

- Подбор оптимального решения, техническое обоснование при выборе компонента;
- Подбор аналогов;
- Консультации по применению компонента;
- Поставка образцов и прототипов;
- Техническая поддержка проекта;
- Защита от снятия компонента с производства.



#### Как с нами связаться

**Телефон:** 8 (812) 309 58 32 (многоканальный)

**Факс:** 8 (812) 320-02-42

**Электронная почта:** [org@eplast1.ru](mailto:org@eplast1.ru)

**Адрес:** 198099, г. Санкт-Петербург, ул. Калинина, дом 2, корпус 4, литера А.