



## Features

- Lightweight, hand-held design
- Easy-to-read LCD display
- Simple operation
- High accuracy peak reading circuit
- Wide 10-1000 V test range
- Precise auto-sensing shutoff

## Applications

Suitable for testing:

- Gas tubes
- Carbon gaps
- MOVs
- Zener and avalanche diodes
- Thyristor devices
- Finished product

**BOURNS®**

# 4010-01 - Surge Protector Test Set

## Description

Bourns® 4010-01 Surge Protector Test Set is a hand-held, battery-operated tester designed to measure the clamping voltage and dc breakdown voltage of most surge protective devices. The 4010-01 is suitable for testing gas tubes, carbon gaps, MOVs, Zener and avalanche diodes and thyristor devices, both as components and as complete protectors.

The 4010-01 is a true slow-rise tester because it does not use a pulse transformer. It contains unique test circuitry and a precise 1mA detector. As soon as 1mA is conducted through clamping type devices, such as MOVs and avalanche diodes, the control circuits removes the test voltage from the output terminals and displays the clamping voltage on the meter. A low energy capacitive circuit will discharge through crowbar type protectors, such as gas tubes and carbon blocks, and trigger the detector. The breakdown voltage will be displayed and the test voltage removed.

## Operation

Internal switches for ramp speed and discharge circuit type are accessed by removing the back cover. They are to be set for the intended application: 200 V/s for laboratory tests or QC type approvals; 1000 V/s for high-speed testing or sorting. The IEEE discharge circuit permits gas tubes to conduct in the arc mode, while the ITU circuit generally allows only glow currents to flow.

Pushing the test button applies a linear ramp to the device under test. Sensing circuitry automatically terminates the test when either the dc breakdown or 1mA clamping voltage is reached. The test value is maintained on the LCD display until the test button is released.

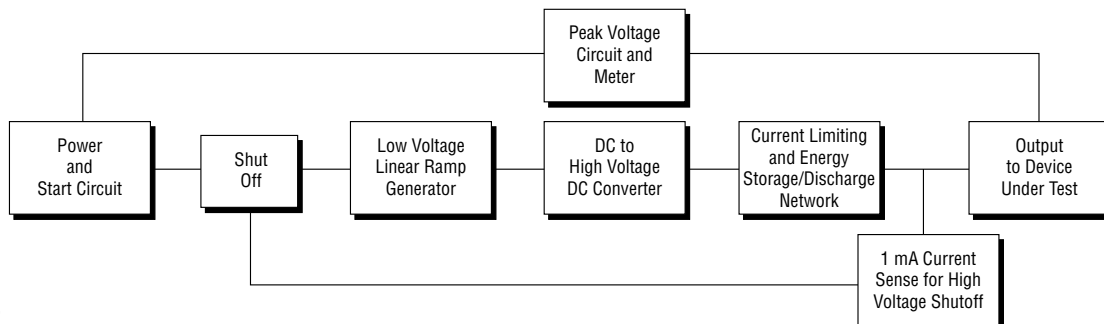
## Specifications

Open Circuit Voltage Rate of Rise .....	200V/s or 1000 V/s
Maximum Output Voltage .....	1000 V
Useable Measuring Range .....	10-1000 V
Test Current for Clamping Devices .....	1 mA ±10 %
Test Current for Crowbar Devices .....	>1 A
Operating Temperature .....	0 to +50 °C
Storage Temperature .....	-10 to +60 °C
Measurement Accuracy .....	0.5 %
Power Source .....	3 lithium batteries - NEMA type 5024LC
Battery Life	
200 V/s .....	Up to 10,000 tests
1000 V/s .....	Up to 50,000 tests
Shipping Weight .....	2 lbs.
Warranty .....	2 years

## Notes:

- For P-type thyristor protectors, breakdown voltage  $V_{BO}$  occurs at the device zener voltage  $V_Z$ . Therefore, the tester will measure actual  $V_{BO}$ .
- For N-type thyristor protectors, breakover voltage  $V_{BO}$  is higher than the zener voltage  $V_Z$ . For these devices, the tester will measure  $V_Z$ .

## Functional Block Diagram



REV. D, 09/03

Specifications are subject to change without notice.  
Customers should verify actual device performance in their specific applications.

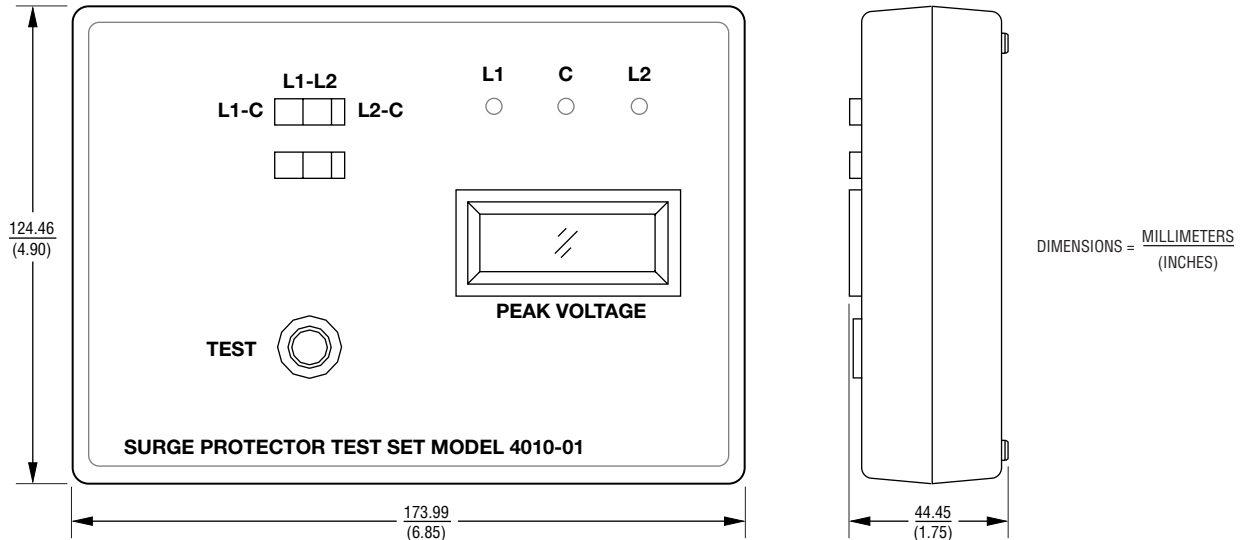
## Additional Features

- Selector switches for complete testing between all terminals and polarities
- Linear voltage ramp, selectable for 200 V/s or 1000 V/s operation
- Selectable IEEE or CCITT type discharge circuits
- Wide range of adapters for standard protector types

# 4010-01 - Surge Protector Test Set

**BOURNS®**

## Product Dimensions



## How To Order

Part No.	Accessories Included	Part No.	Available Separately
4010-01 .....	No Accessories	30503-01 .....	Test Cable w/Alligator Clip - Red
4010-01-A .....	Nylon Carrying Case	30503-02 .....	Test Cable w/Alligator Clip - Black
4010-01-B .....	Nylon Case, 48-inch Leads w/Alligator Clips (Suitable for Testing A.C. Arresters on Site)	4020-00-A .....	A.C. Power Adapter
4010-01-C .....	Nylon Case, P/N 72288 and 72289 Gas Tube Adapters	72288 .....	Adapter for 2-pole Gas Tubes, Fits 6 and 8 mm High Gas Tubes and Most Carbon Block Protectors
4010-01-D .....	Nylon Case, P/N 72291 5-Pin Module Adapter	72289 .....	Adapter for 3-pole Gas Tubes with Leads on 4.4, 4.7 and 6.4 mm Centers
		72291 .....	Adapter for Standard 300 Series 5-pin Protector Module



Компания «ЭлектроПласт» предлагает заключение долгосрочных отношений при поставках импортных электронных компонентов на взаимовыгодных условиях!

Наши преимущества:

- Оперативные поставки широкого спектра электронных компонентов отечественного и импортного производства напрямую от производителей и с крупнейших мировых складов;
- Поставка более 17-ти миллионов наименований электронных компонентов;
- Поставка сложных, дефицитных, либо снятых с производства позиций;
- Оперативные сроки поставки под заказ (от 5 рабочих дней);
- Экспресс доставка в любую точку России;
- Техническая поддержка проекта, помощь в подборе аналогов, поставка прототипов;
- Система менеджмента качества сертифицирована по Международному стандарту ISO 9001;
- Лицензия ФСБ на осуществление работ с использованием сведений, составляющих государственную тайну;
- Поставка специализированных компонентов (Xilinx, Altera, Analog Devices, Intersil, Interpoint, Microsemi, Aeroflex, Peregrine, Syfer, Eurofarad, Texas Instrument, Miteq, Cobham, E2V, MA-COM, Hittite, Mini-Circuits, General Dynamics и др.);

Помимо этого, одним из направлений компании «ЭлектроПласт» является направление «Источники питания». Мы предлагаем Вам помощь Конструкторского отдела:

- Подбор оптимального решения, техническое обоснование при выборе компонента;
- Подбор аналогов;
- Консультации по применению компонента;
- Поставка образцов и прототипов;
- Техническая поддержка проекта;
- Защита от снятия компонента с производства.



#### Как с нами связаться

**Телефон:** 8 (812) 309 58 32 (многоканальный)

**Факс:** 8 (812) 320-02-42

**Электронная почта:** [org@eplast1.ru](mailto:org@eplast1.ru)

**Адрес:** 198099, г. Санкт-Петербург, ул. Калинина, дом 2, корпус 4, литера А.