

## Overview

The SMR Series is a metallized polyphenylene sulfide film capacitor with vacuum-evaporated aluminum electrodes. Radial leads of tinned wire are electrically welded to the contact metal layer on the ends of the capacitor winding. The capacitor is encapsulated in self-extinguishing material meeting the requirements of UL 94 V-0.

## Applications

Typical applications include automotive and other applications with high ambient temperatures, as well as those requiring high stability and low losses. The capacitor offers excellent sound quality in audio applications.

## Benefits

- Voltage range: 50 – 400 VDC, 30 – 200 VAC
- Capacitance range: 0.001 – 22  $\mu$ F
- Lead spacing: 5 – 27.5 mm
- Capacitance tolerance:  $\pm$ 10%,  $\pm$ 20%,  $\pm$ 2.5% and  $\pm$ 5% on request
- Climatic category: 55/150/56, IEC 60068-1
- Tape & Reel packaging in accordance with IEC 60286-2
- RoHS compliant and lead-free terminations
- Category temperature range -55 to +150°C
- Rated temperature +125°C



## Legacy Part Number System

| SMR            | 5  | 104   | K  | 50  | J01                 | L4                                       | BULK                       |
|----------------|--|---|--|---|---------------------|--|----------------------------|
| Series         | Lead Spacing (mm)  | Capacitance Code (pF)   | Capacitance Tolerance  | Rated Voltage (VDC)                                       | Size Code           | Lead Length                              | Packaging                  |
| Metallized PPS | 5 = 5.0<br>7.5 = 7.5<br>10 = 10.0<br>15 = 15.0<br>22.5 = 22.5<br>27.5 = 27.5 | First two digits indicate the two most significant digits of the capacitance value in picofarads. The third digit is the number of following zeros. | H = $\pm$ 2.5%<br>J = $\pm$ 5%<br>K = $\pm$ 10%<br>M = $\pm$ 20% | 50 = 50<br>63 = 63<br>100 = 100<br>250 = 250<br>400 = 400 | See Dimension Table | Letter "L" followed by lead length in mm | See Ordering Options Table |

## New KEMET Part Number System

| F               | 211            | J  | F                   | 104   | K  | 050   | C                          |
|-----------------|----------------|--|---------------------|---|--|---|----------------------------|
| Capacitor Class | Series         | Lead Spacing (mm)  | Size Code           | Capacitance Code (pF)   | Capacitance Tolerance  | Rated Voltage (VDC)   | Packaging                  |
| F = Film        | Metallized PPS | J = 5.0<br>K = 7.5<br>A = 10.0<br>B = 15.0<br>D = 22.5<br>F = 27.5 | See Dimension Table | First two digits indicate the two most significant digits of the capacitance value in picofarads. The third digit is the number of following zeros. | R = $\pm$ 2.5%<br>J = $\pm$ 5%<br>K = $\pm$ 10%<br>M = $\pm$ 20% | 050 = 50<br>063 = 63<br>100 = 100<br>250 = 250<br>400 = 400 | See Ordering Options Table |

## Ordering Options Table

| Lead Spacing Nominal (mm)      | Type of Leads and Packaging                 | Lead Length (mm)           | KEMET Lead and Packaging Code | Legacy Lead and Packaging Code |
|--------------------------------|---|----------------------------|-------------------------------|--------------------------------|
| 5                              | <b>Standard lead and packaging options:</b> |                            |                               |                                |
|                                | Bulk (bag) – short leads                    | 4.0 +1/-0                  | C                             | L4BULK                         |
|                                | Bulk (bag) – straight leads                 | 16.5 ±0.5                  | ALG5C                         | L16.5CBULK                     |
|                                | Tape & Reel (standard reel)                 | H <sub>0</sub> = 18.5 ±0.5 | L                             | L16.5TR18                      |
|                                | <b>Other lead and packaging options:</b>    |                            |                               |                                |
|                                | Ammo pack                                   | H <sub>0</sub> = 18.5 ±0.5 | R                             | L16.5TA18                      |
|                                | Tape & Reel (large reel)                    | H <sub>0</sub> = 18.5 ±0.5 | P                             | L16.5LR18                      |
| 7.5                            | <b>Standard lead and packaging options:</b> |                            |                               |                                |
|                                | Bulk (bag) – short leads                    | 4.0 +1/-0                  | C                             | L4BULK                         |
|                                | Bulk (bag) – straight leads                 | 16.5 ±0.5                  | ALG5C                         | L16.5CBULK                     |
|                                | Tape & Reel (standard reel)                 | H <sub>0</sub> = 18.5 ±0.5 | L                             | L16.5TR18                      |
|                                | <b>Other lead and packaging options:</b>    |                            |                               |                                |
|                                | Ammo pack                                   | H <sub>0</sub> = 18.5 ±0.5 | R                             | L16.5TA18                      |
|                                | Tape & Reel (large reel)                    | H <sub>0</sub> = 18.5 ±0.5 | P                             | L16.5LR18                      |
|                                | Ammo pack (P0 = 15mm)                       | H <sub>0</sub> = 18.5 ±0.5 | XLAF1                         | XA18                           |
| 10                             | <b>Standard lead and packaging options:</b> |                            |                               |                                |
|                                | Bulk (bag) – short leads                    | 4.0 +1/-0                  | C                             | L4BULK                         |
|                                | Bulk (bag) – straight leads                 | 16.5 ±0.5                  | ALG5C                         | L16.5CBULK                     |
|                                | Tape & Reel (standard reel)                 | H <sub>0</sub> = 18.5 ±0.5 | L                             | L16.5TR18                      |
|                                | <b>Other lead and packaging options:</b>    |                            |                               |                                |
|                                | Tape & Reel (large reel)                    | H <sub>0</sub> = 18.5 ±0.5 | P                             | L16.5LR18                      |
| <b>Native 10 formed to 7.5</b> | Ammo pack                                   | H <sub>0</sub> = 18.5 ±0.5 | XLAF1                         | L25.0CXA18                     |

## Ordering Options Table cont.

| Lead Spacing Nominal (mm) | Type of Leads and Packaging                 | Lead Length (mm)           | KEMET Lead and Packaging Code | Legacy Lead and Packaging Code |
|---------------------------|---|----------------------------|-------------------------------|--------------------------------|
| 15                        | <b>Standard lead and packaging options:</b> |                            |                               |                                |
|                           | Bulk (bag) – short leads                    | 4.0 +1/-0                  | C                             | L4BULK                         |
|                           | Bulk (bag) – straight leads                 | 16.5 ±0.5                  | ALG5C                         | L16.5CBULK                     |
|                           | Tape & Reel (standard reel)                 | H <sub>0</sub> = 18.5 ±0.5 | L                             | L16.5TR18                      |
|                           | <b>Other lead and packaging options:</b>    |                            |                               |                                |
|                           | Tape & Reel (large reel)                    | H <sub>0</sub> = 18.5 ±0.5 | P                             | L16.5LR18                      |
| Native 15 formed to 7.5   | Ammo pack                                   | H <sub>0</sub> = 18.5 ±0.5 | XLAF1                         | L25.0CXA18                     |
|                           | Tape & Reel (standard reel)                 | H <sub>0</sub> = 18.5 ±0.5 | XLTF1                         | L25.0CXR18                     |
| 22.5                      | <b>Standard lead and packaging options:</b> |                            |                               |                                |
|                           | Bulk (tray) - short leads                   | 4.0 +1/-0                  | C                             | L4TRAY                         |
|                           | Tape & Reel (standard reel)                 | H <sub>0</sub> = 18.5 ±0.5 | L                             | R17T0                          |
|                           | Tape & Reel (large reel)                    | H <sub>0</sub> = 18.5 ±0.5 | P                             | R17T1                          |
| 27.5                      | <b>Standard lead and packaging options:</b> |                            |                               |                                |
|                           | Bulk (tray) - short leads                   | 4.0 +1/-0                  | C                             | L4TRAY                         |
|                           | Tape & Reel (large reel)                    | H <sub>0</sub> = 18.5 ±0.5 | P                             | R17T1                          |

## Dimensions – Millimeters



| KEMET<br>Size Code | Legacy<br>Size Code | S       |           | T       |           | H       |           | L       |           | d       |           |
|--------------------|---------------------|---------|-----------|---------|-----------|---------|-----------|---------|-----------|---------|-----------|
|                    |                     | Nominal | Tolerance | Nominal | Tolerance | Nominal | Tolerance | Nominal | Tolerance | Nominal | Tolerance |
| JF                 | J01                 | 5.0     | ±0.4      | 2.5     | +0/-0.5   | 6.5     | +0/-0.5   | 7.2     | +0/-0.5   | 0.5     | ±0.05     |
| JJ                 | J02                 | 5.0     | ±0.4      | 3.5     | +0/-0.5   | 8.0     | +0/-0.5   | 7.2     | +0/-0.5   | 0.5     | ±0.05     |
| JL                 | J03                 | 5.0     | ±0.4      | 4.5     | +0/-0.5   | 9.0     | +0/-0.5   | 7.2     | +0/-0.5   | 0.5     | ±0.05     |
| JQ                 | J04                 | 5.0     | ±0.4      | 5.0     | +0/-0.5   | 10.0    | +0/-0.5   | 7.2     | +0/-0.5   | 0.5     | ±0.05     |
| JT                 | J05                 | 5.0     | ±0.4      | 6.0     | +0/-0.5   | 11.0    | +0/-0.5   | 7.2     | +0/-0.5   | 0.5     | ±0.05     |
| JU                 | J06                 | 5.0     | ±0.4      | 7.2     | +0/-0.5   | 13.0    | +0/-0.5   | 7.2     | +0/-0.5   | 0.5     | ±0.05     |
| KG                 | K01                 | 7.5     | ±0.4      | 4.0     | +0/-0.5   | 8.0     | +0/-0.5   | 10.0    | +0/-0.5   | 0.6     | ±0.05     |
| KK                 | K03                 | 7.5     | ±0.4      | 5.0     | +0/-0.5   | 11.0    | +0/-0.5   | 10.0    | +0/-0.5   | 0.6     | ±0.05     |
| KM                 | K04                 | 7.5     | ±0.4      | 6.0     | +0/-0.5   | 12.0    | +0/-0.5   | 10.5    | +0/-0.5   | 0.6     | ±0.05     |
| AG                 | A01                 | 10.0    | ±0.4      | 4.0     | +0/-0.5   | 9.0     | +0/-0.5   | 13.0    | +0/-0.5   | 0.6     | ±0.05     |
| AH                 | A02                 | 10.0    | ±0.4      | 4.5     | +0/-0.5   | 10.5    | +0/-0.5   | 13.0    | +0/-0.5   | 0.6     | ±0.05     |
| AK                 | A03                 | 10.0    | ±0.4      | 5.0     | +0/-0.5   | 11.0    | +0/-0.5   | 13.0    | +0/-0.5   | 0.6     | ±0.05     |
| AP                 | A04                 | 10.0    | ±0.4      | 6.0     | +0/-0.5   | 12.0    | +0/-0.5   | 13.0    | +0/-0.5   | 0.6     | ±0.05     |
| BD                 | B04                 | 15.0    | ±0.4      | 5.5     | +0/-0.5   | 10.5    | +0/-0.5   | 18.0    | +0/-0.5   | 0.8     | ±0.05     |
| BE                 | B05                 | 15.0    | ±0.4      | 5.5     | +0/-0.5   | 12.5    | +0/-0.5   | 18.0    | +0/-0.5   | 0.8     | ±0.05     |
| BL                 | B06                 | 15.0    | ±0.4      | 7.5     | +0/-0.5   | 14.5    | +0/-0.5   | 18.0    | +0/-0.5   | 0.8     | ±0.05     |
| BJ                 | B10                 | 15.0    | ±0.4      | 6.5     | +0/-0.5   | 12.5    | +0/-0.5   | 18.0    | +0/-0.5   | 0.8     | ±0.05     |
| BQ                 | B11                 | 15.0    | ±0.4      | 8.5     | +0/-0.5   | 16.0    | +0/-0.5   | 18.0    | +0/-0.5   | 0.8     | ±0.05     |
| BM                 | B12                 | 15.0    | ±0.4      | 8.0     | +0/-0.5   | 15.0    | +0/-0.5   | 18.0    | +0/-0.5   | 0.8     | ±0.05     |
| BV                 | B14                 | 15.0    | ±0.4      | 9.5     | +0/-0.5   | 17.5    | +0/-0.5   | 18.0    | +0/-0.5   | 0.8     | ±0.05     |
| DD                 | D13                 | 22.5    | ±0.4      | 6.5     | +0/-0.5   | 14.5    | +0/-0.5   | 26.0    | +0/-0.5   | 0.8     | ±0.05     |
| DH                 | D14                 | 22.5    | ±0.4      | 8.0     | +0/-0.5   | 16.0    | +0/-0.5   | 26.0    | +0/-0.5   | 0.8     | ±0.05     |
| DM                 | D15                 | 22.5    | ±0.4      | 9.0     | +0/-0.5   | 18.5    | +0/-0.5   | 26.0    | +0/-0.5   | 0.8     | ±0.05     |
| DT                 | D16                 | 22.5    | ±0.4      | 11.0    | +0/-0.5   | 21.5    | +0/-0.5   | 26.0    | +0/-0.5   | 0.8     | ±0.05     |
| DF                 | D17                 | 22.5    | ±0.4      | 7.0     | +0/-0.5   | 16.5    | +0/-0.5   | 26.0    | +0/-0.5   | 0.8     | ±0.05     |
| DR                 | D18                 | 22.5    | ±0.4      | 10.5    | +0/-0.5   | 19.0    | +0/-0.5   | 26.0    | +0/-0.5   | 0.8     | ±0.05     |
| FE                 | F11                 | 27.5    | ±0.4      | 10.5    | +0/-0.7   | 20.5    | +0/-0.7   | 31.5    | +0/-0.7   | 0.8     | ±0.05     |
| FG                 | F12                 | 27.5    | ±0.4      | 11.5    | +0/-0.7   | 22.5    | +0/-0.7   | 31.5    | +0/-0.7   | 0.8     | ±0.05     |
| FM                 | F13                 | 27.5    | ±0.4      | 14.5    | +0/-0.7   | 24.5    | +0/-0.7   | 31.5    | +0/-0.7   | 0.8     | ±0.05     |
| FR                 | F14                 | 27.5    | ±0.4      | 17.5    | +0/-0.7   | 28.0    | +0/-0.7   | 31.5    | +0/-0.7   | 0.8     | ±0.05     |

Note: See Ordering Options Table for lead length (LL) options.

## Performance Characteristics

|                                     |   |                           |  |                                     |             |
|-------------------------------------|---|---------------------------|--|-------------------------------------|-------------|
| Rated voltage $V_R$ (VDC)           | 50  | 63                        | 100  | 250                                 | 400         |
| Rated voltage $V_R$ (VAC)           | 30  | 40                        | 63   | 160                                 | 200         |
| Capacitance range ( $\mu\text{F}$ ) | 0.001 – 22  | 0.001 – 22                | 0.001 – 12                                 | 0.001 – 3.9                         | 0.001 – 1.8 |
| Capacitance tolerance               | $\pm 10\%$ , $\pm 20\%$ , $\pm 2.5\%$ and $\pm 5\%$ on request  |                           |  |                                     |             |
| Temperature range                   | -55 to +150°C   |                           |  |                                     |             |
| Rated temperature                   | +125°C  |                           |  |                                     |             |
| Voltage derating                    | From +125°C, the voltage derating is 2%/°C  |                           |  |                                     |             |
| Climatic category                   | IEC 60068-1, 55/150/56  |                           |  |                                     |             |
|                                     | DIN 40040, FKD  |                           |  |                                     |             |
| Test voltage                        | $1.6 \times V_R$ for 2 seconds  |                           |  |                                     |             |
| Reliability                         | Operational life > 200,000 hours  |                           |  |                                     |             |
|                                     | Failure rate < 3 FIT, T = +40°C, V = $0.5 \times V_R$   |                           |  |                                     |             |
|                                     | Failure criteria according to DIN 44122   |                           |  |                                     |             |
| Capacitance drift                   | Maximum 0.3% after a two year storage period at a temperature of +10° to +40°C and a relative humidity of 40 to 60% |                           |  |                                     |             |
| Insulation resistance               | Measured at +20°C, according to IEC 60384-1   |                           |  |                                     |             |
|                                     | Minimum Values Between Terminals  |                           |  |                                     |             |
|                                     |   | $C \leq 0.33 \mu\text{F}$ |  | $C > 0.33 \mu\text{F}$              |             |
|                                     | $V_R \leq 100 \text{ V}$  | 15,000 M $\Omega$         |  | 5,000 M $\Omega \cdot \mu\text{F}$  |             |
|                                     | $V_R > 100 \text{ V}$   | 30,000 M $\Omega$         |  | 10,000 M $\Omega \cdot \mu\text{F}$ |             |
| Dissipation factor                  | Maximum Values at +23°C   |                           |  |                                     |             |
| Lead spacing                        |   | $C \leq 0.1 \mu\text{F}$  | $0.1 \mu\text{F} < C \leq 1.0 \mu\text{F}$ | $C > 1.0 \mu\text{F}$               |             |
| SMR 5                               | 1 kHz   | 0.15%                     | 0.15%                                      | 0.15%                               |             |
|                                     | 10 kHz  | 0.25%                     | 0.25%                                      | 0.35%                               |             |
|                                     | 100 kHz   | 0.50%                     | 0.60%                                      |                                     |             |
| SMR 7.5 to 27.5                     | 1 kHz   | 0.15%                     | 0.15%                                      | 0.15%                               |             |
|                                     | 10 kHz  | 0.25%                     | 0.25%                                      |                                     |             |
|                                     | 100 kHz   | 0.60%                     |  |                                     |             |

## Derating of $V_{rms}$ vs. Frequency, +100°C Ambient Temperature & 20°C Internal Heating, Typical Values

Lead spacing 5.0 mm



## Derating of $V_{rms}$ vs. Frequency, +100°C Ambient Temperature & 20°C Internal Heating, Typical Values (cont.)

Lead spacing 7.5 – 27.5 mm



## Environmental Test Data

| Damp Heat Test  |   |
|-----------------|---|
| Test Conditions | T = +40°C, RH = 93%, t = 56 days                  |
| Test Criteria   | $\Delta C/C \leq \pm 3\%$                         |
|                 | $\Delta \tan\delta \leq 0.0025$ (1 kHz)           |
|                 | IR after test 0.5 x IR minimum                    |
| Endurance Test  |   |
| Test Conditions | T = +125°C, V = 1.25 x (0.5 x V <sub>R</sub> )    |
| Test Criteria   | t = 2,000 hours                                   |
|                 | $\Delta C/C \leq \pm 3\%$                         |
|                 | $\Delta \tan\delta \leq 0.002$ (1 kHz), C > 1 μF  |
|                 | $\Delta \tan\delta \leq 0.003$ (10 kHz), C ≤ 1 μF |
|                 | IR after test 0.5 x IR minimum                    |

## Environmental Compliance

All KEMET PPS capacitors are RoHS compliant.





**Table 1 – Ratings & Part Number Reference**

| VDC | VAC | Capacitance Value (µF) | Size Code (New/Legacy) | Maximum Dimensions in mm |        |        | Lead Spacing (p) | dV/dt (V/µs) | New KEMET Part Number | Legacy Part Number   |
|-----|-----|------------------------|------------------------|--------------------------|--------|--------|------------------|--------------|-----------------------|----------------------|
|     |     |                        |                        | B                        | H      | L      |                  |              |                       |                      |
| 50  | 30  | 0.001                  | JF/J01                 | 2.5                      | 6.5    | 7.2    | 5                | 40           | F211JF102(1)050(2)    | SMR5102(3)50J01(2)   |
| 50  | 30  | 0.0012                 | JF/J01                 | 2.5                      | 6.5    | 7.2    | 5                | 40           | F211JF122(1)050(2)    | SMR5122(3)50J01(2)   |
| 50  | 30  | 0.0015                 | JF/J01                 | 2.5                      | 6.5    | 7.2    | 5                | 40           | F211JF152(1)050(2)    | SMR5152(3)50J01(2)   |
| 50  | 30  | 0.0018                 | JF/J01                 | 2.5                      | 6.5    | 7.2    | 5                | 40           | F211JF182(1)050(2)    | SMR5182(3)50J01(2)   |
| 50  | 30  | 0.0022                 | JF/J01                 | 2.5                      | 6.5    | 7.2    | 5                | 40           | F211JF222(1)050(2)    | SMR5222(3)50J01(2)   |
| 50  | 30  | 0.0027                 | JF/J01                 | 2.5                      | 6.5    | 7.2    | 5                | 40           | F211JF272(1)050(2)    | SMR5272(3)50J01(2)   |
| 50  | 30  | 0.0033                 | JF/J01                 | 2.5                      | 6.5    | 7.2    | 5                | 40           | F211JF332(1)050(2)    | SMR5332(3)50J01(2)   |
| 50  | 30  | 0.0039                 | JF/J01                 | 2.5                      | 6.5    | 7.2    | 5                | 40           | F211JF392(1)050(2)    | SMR5392(3)50J01(2)   |
| 50  | 30  | 0.0047                 | JF/J01                 | 2.5                      | 6.5    | 7.2    | 5                | 20           | F211JF472(1)050(2)    | SMR5472(3)50J01(2)   |
| 50  | 30  | 0.0056                 | JF/J01                 | 2.5                      | 6.5    | 7.2    | 5                | 20           | F211JF562(1)050(2)    | SMR5562(3)50J01(2)   |
| 50  | 30  | 0.0068                 | JF/J01                 | 2.5                      | 6.5    | 7.2    | 5                | 20           | F211JF682(1)050(2)    | SMR5682(3)50J01(2)   |
| 50  | 30  | 0.0082                 | JF/J01                 | 2.5                      | 6.5    | 7.2    | 5                | 20           | F211JF822(1)050(2)    | SMR5822(3)50J01(2)   |
| 50  | 30  | 0.01                   | JF/J01                 | 2.5                      | 6.5    | 7.2    | 5                | 20           | F211JF103(1)050(2)    | SMR5103(3)50J01(2)   |
| 50  | 30  | 0.012                  | JF/J01                 | 2.5                      | 6.5    | 7.2    | 5                | 15           | F211JF123(1)050(2)    | SMR5123(3)50J01(2)   |
| 50  | 30  | 0.015                  | JF/J01                 | 2.5                      | 6.5    | 7.2    | 5                | 15           | F211JF153(1)050(2)    | SMR5153(3)50J01(2)   |
| 50  | 30  | 0.018                  | JF/J01                 | 2.5                      | 6.5    | 7.2    | 5                | 15           | F211JF183(1)050(2)    | SMR5183(3)50J01(2)   |
| 50  | 30  | 0.022                  | JF/J01                 | 2.5                      | 6.5    | 7.2    | 5                | 15           | F211JF223(1)050(2)    | SMR5223(3)50J01(2)   |
| 50  | 30  | 0.027                  | JF/J01                 | 2.5                      | 6.5    | 7.2    | 5                | 15           | F211JF273(1)050(2)    | SMR5273(3)50J01(2)   |
| 50  | 30  | 0.033                  | JF/J01                 | 2.5                      | 6.5    | 7.2    | 5                | 15           | F211JF333(1)050(2)    | SMR5333(3)50J01(2)   |
| 50  | 30  | 0.039                  | JF/J01                 | 2.5                      | 6.5    | 7.2    | 5                | 15           | F211JF393(1)050(2)    | SMR5393(3)50J01(2)   |
| 50  | 30  | 0.047                  | JF/J01                 | 2.5                      | 6.5    | 7.2    | 5                | 6            | F211JF473(1)050(2)    | SMR5473(3)50J01(2)   |
| 50  | 30  | 0.056                  | JF/J01                 | 2.5                      | 6.5    | 7.2    | 5                | 6            | F211JF563(1)050(2)    | SMR5563(3)50J01(2)   |
| 50  | 30  | 0.068                  | JF/J01                 | 2.5                      | 6.5    | 7.2    | 5                | 6            | F211JF683(1)050(2)    | SMR5683(3)50J01(2)   |
| 50  | 30  | 0.082                  | JF/J01                 | 2.5                      | 6.5    | 7.2    | 5                | 6            | F211JF823(1)050(2)    | SMR5823(3)50J01(2)   |
| 50  | 30  | 0.1                    | JF/J01                 | 2.5                      | 6.5    | 7.2    | 5                | 6            | F211JF104(1)050(2)    | SMR5104(3)50J01(2)   |
| 50  | 30  | 0.12                   | JF/J01                 | 2.5                      | 6.5    | 7.2    | 5                | 6            | F211JF124(1)050(2)    | SMR5124(3)50J01(2)   |
| 50  | 30  | 0.15                   | JJ/J02                 | 3.5                      | 8      | 7.2    | 5                | 6            | F211JJ154(1)050(2)    | SMR5154(3)50J02(2)   |
| 50  | 30  | 0.18                   | JJ/J02                 | 3.5                      | 8      | 7.2    | 5                | 6            | F211JJ184(1)050(2)    | SMR5184(3)50J02(2)   |
| 50  | 30  | 0.22                   | JJ/J02                 | 3.5                      | 8      | 7.2    | 5                | 6            | F211JJ224(1)050(2)    | SMR5224(3)50J02(2)   |
| 50  | 30  | 0.27                   | JJ/J02                 | 3.5                      | 8      | 7.2    | 5                | 6            | F211JJ274(1)050(2)    | SMR5274(3)50J02(2)   |
| 50  | 30  | 0.33                   | JL/J03                 | 4.5                      | 9      | 7.2    | 5                | 6            | F211JL334(1)050(2)    | SMR5334(3)50J03(2)   |
| 50  | 30  | 0.39                   | JL/J03                 | 4.5                      | 9      | 7.2    | 5                | 6            | F211JL394(1)050(2)    | SMR5394(3)50J03(2)   |
| 50  | 30  | 0.47                   | JQ/J04                 | 5                        | 10     | 7.2    | 5                | 6            | F211JQ474(1)050(2)    | SMR5474(3)50J04(2)   |
| 50  | 30  | 0.56                   | JQ/J04                 | 5                        | 10     | 7.2    | 5                | 6            | F211JQ564(1)050(2)    | SMR5564(3)50J04(2)   |
| 50  | 30  | 0.68                   | JT/J05                 | 6                        | 11     | 7.2    | 5                | 6            | F211JT684(1)050(2)    | SMR5684(3)50J05(2)   |
| 50  | 30  | 0.82                   | JT/J05                 | 6                        | 11     | 7.2    | 5                | 6            | F211JT824(1)050(2)    | SMR5824(3)50J05(2)   |
| 50  | 30  | 1                      | JU/J06                 | 7.2                      | 13     | 7.2    | 5                | 6            | F211JU105(1)050(2)    | SMR5105(3)50J06(2)   |
| 50  | 30  | 1.2                    | JU/J06                 | 7.2                      | 13     | 7.2    | 5                | 6            | F211JU125(1)050(2)    | SMR5125(3)50J06(2)   |
| 50  | 30  | 0.001                  | KG/K01                 | 4                        | 8      | 10     | 7.5              | 30           | F211KG102(1)050(2)    | SMR7.5102(3)50K01(2) |
| 50  | 30  | 0.0012                 | KG/K01                 | 4                        | 8      | 10     | 7.5              | 30           | F211KG122(1)050(2)    | SMR7.5122(3)50K01(2) |
| 50  | 30  | 0.0015                 | KG/K01                 | 4                        | 8      | 10     | 7.5              | 30           | F211KG152(1)050(2)    | SMR7.5152(3)50K01(2) |
| 50  | 30  | 0.0018                 | KG/K01                 | 4                        | 8      | 10     | 7.5              | 30           | F211KG182(1)050(2)    | SMR7.5182(3)50K01(2) |
| 50  | 30  | 0.0022                 | KG/K01                 | 4                        | 8      | 10     | 7.5              | 30           | F211KG222(1)050(2)    | SMR7.5222(3)50K01(2) |
| 50  | 30  | 0.0027                 | KG/K01                 | 4                        | 8      | 10     | 7.5              | 30           | F211KG272(1)050(2)    | SMR7.5272(3)50K01(2) |
| 50  | 30  | 0.0033                 | KG/K01                 | 4                        | 8      | 10     | 7.5              | 30           | F211KG332(1)050(2)    | SMR7.5332(3)50K01(2) |
| 50  | 30  | 0.0039                 | KG/K01                 | 4                        | 8      | 10     | 7.5              | 30           | F211KG392(1)050(2)    | SMR7.5392(3)50K01(2) |
| 50  | 30  | 0.0047                 | KG/K01                 | 4                        | 8      | 10     | 7.5              | 30           | F211KG472(1)050(2)    | SMR7.5472(3)50K01(2) |
| 50  | 30  | 0.0056                 | KG/K01                 | 4                        | 8      | 10     | 7.5              | 30           | F211KG562(1)050(2)    | SMR7.5562(3)50K01(2) |
| 50  | 30  | 0.0068                 | KG/K01                 | 4                        | 8      | 10     | 7.5              | 30           | F211KG682(1)050(2)    | SMR7.5682(3)50K01(2) |
| 50  | 30  | 0.0082                 | KG/K01                 | 4                        | 8      | 10     | 7.5              | 30           | F211KG822(1)050(2)    | SMR7.5822(3)50K01(2) |
| 50  | 30  | 0.01                   | KG/K01                 | 4                        | 8      | 10     | 7.5              | 30           | F211KG103(1)050(2)    | SMR7.5103(3)50K01(2) |
| 50  | 30  | 0.012                  | KG/K01                 | 4                        | 8      | 10     | 7.5              | 30           | F211KG123(1)050(2)    | SMR7.5123(3)50K01(2) |
| 50  | 30  | 0.015                  | KG/K01                 | 4                        | 8      | 10     | 7.5              | 30           | F211KG153(1)050(2)    | SMR7.5153(3)50K01(2) |
| 50  | 30  | 0.018                  | KG/K01                 | 4                        | 8      | 10     | 7.5              | 30           | F211KG183(1)050(2)    | SMR7.5183(3)50K01(2) |
| 50  | 30  | 0.022                  | KG/K01                 | 4                        | 8      | 10     | 7.5              | 30           | F211KG223(1)050(2)    | SMR7.5223(3)50K01(2) |
| 50  | 30  | 0.027                  | KG/K01                 | 4                        | 8      | 10     | 7.5              | 20           | F211KG273(1)050(2)    | SMR7.5273(3)50K01(2) |
| VDC | VAC | Capacitance Value (µF) | Size Code (New/Legacy) | B (mm)                   | H (mm) | L (mm) | Lead Spacing (p) | dV/dt (V/µs) | New KEMET Part Number | Legacy Part Number   |

(1) R = ±2.5%, J = ±5%, K = ±10%, M = ±20%

(2) Insert lead and packaging code. See Ordering Options Table for available options.

(3) H = ±2.5%, J = ±5%, K = ±10%, M = ±20%

**Table 1 – Ratings & Part Number Reference cont.**

| VDC | VAC | Capacitance Value (µF) | Size Code (New/Legacy) | Maximum Dimensions in mm |        |        | Lead Spacing (p) | dV/dt (V/µs) | New KEMET Part Number | Legacy Part Number   |
|-----|-----|------------------------|------------------------|--------------------------|--------|--------|------------------|--------------|-----------------------|----------------------|
|     |     |                        |                        | B                        | H      | L      |                  |              |                       |                      |
| 50  | 30  | 0.033                  | KG/K01                 | 4                        | 8      | 10     | 7.5              | 20           | F211KG333(1)050(2)    | SMR7.5333(3)50K01(2) |
| 50  | 30  | 0.039                  | KG/K01                 | 4                        | 8      | 10     | 7.5              | 20           | F211KG393(1)050(2)    | SMR7.5393(3)50K01(2) |
| 50  | 30  | 0.047                  | KG/K01                 | 4                        | 8      | 10     | 7.5              | 20           | F211KG473(1)050(2)    | SMR7.5473(3)50K01(2) |
| 50  | 30  | 0.056                  | KG/K01                 | 4                        | 8      | 10     | 7.5              | 15           | F211KG563(1)050(2)    | SMR7.5563(3)50K01(2) |
| 50  | 30  | 0.068                  | KG/K01                 | 4                        | 8      | 10     | 7.5              | 15           | F211KG683(1)050(2)    | SMR7.5683(3)50K01(2) |
| 50  | 30  | 0.082                  | KG/K01                 | 4                        | 8      | 10     | 7.5              | 15           | F211KG823(1)050(2)    | SMR7.5823(3)50K01(2) |
| 50  | 30  | 0.1                    | KG/K01                 | 4                        | 8      | 10     | 7.5              | 15           | F211KG104(1)050(2)    | SMR7.5104(3)50K01(2) |
| 50  | 30  | 0.12                   | KG/K01                 | 4                        | 8      | 10     | 7.5              | 15           | F211KG124(1)050(2)    | SMR7.5124(3)50K01(2) |
| 50  | 30  | 0.15                   | KG/K01                 | 4                        | 8      | 10     | 7.5              | 10           | F211KG154(1)050(2)    | SMR7.5154(3)50K01(2) |
| 50  | 30  | 0.18                   | KG/K01                 | 4                        | 8      | 10     | 7.5              | 10           | F211KG184(1)050(2)    | SMR7.5184(3)50K01(2) |
| 50  | 30  | 0.22                   | KG/K01                 | 4                        | 8      | 10     | 7.5              | 10           | F211KG224(1)050(2)    | SMR7.5224(3)50K01(2) |
| 50  | 30  | 0.27                   | KG/K01                 | 4                        | 8      | 10     | 7.5              | 10           | F211KG274(1)050(2)    | SMR7.5274(3)50K01(2) |
| 50  | 30  | 0.33                   | KG/K01                 | 4                        | 8      | 10     | 7.5              | 10           | F211KG334(1)050(2)    | SMR7.5334(3)50K01(2) |
| 50  | 30  | 0.39                   | KG/K01                 | 4                        | 8      | 10     | 7.5              | 10           | F211KG394(1)050(2)    | SMR7.5394(3)50K01(2) |
| 50  | 30  | 0.47                   | KK/K03                 | 5                        | 11     | 10     | 7.5              | 10           | F211KK474(1)050(2)    | SMR7.5474(3)50K03(2) |
| 50  | 30  | 0.56                   | KK/K03                 | 5                        | 11     | 10     | 7.5              | 10           | F211KK564(1)050(2)    | SMR7.5564(3)50K03(2) |
| 50  | 30  | 0.68                   | KK/K03                 | 5                        | 11     | 10     | 7.5              | 10           | F211KK684(1)050(2)    | SMR7.5684(3)50K03(2) |
| 50  | 30  | 0.82                   | KK/K03                 | 5                        | 11     | 10     | 7.5              | 10           | F211KK824(1)050(2)    | SMR7.5824(3)50K03(2) |
| 50  | 30  | 1                      | KM/K04                 | 6                        | 12     | 10.5   | 7.5              | 10           | F211KM105(1)050(2)    | SMR7.5105(3)50K04(2) |
| 50  | 30  | 1.2                    | KM/K04                 | 6                        | 12     | 10.5   | 7.5              | 10           | F211KM125(1)050(2)    | SMR7.5125(3)50K04(2) |
| 50  | 30  | 0.0027                 | AG/A01                 | 4                        | 9      | 13     | 10               | 25           | F211AG272(1)050(2)    | SMR10272(3)50A01(2)  |
| 50  | 30  | 0.0033                 | AG/A01                 | 4                        | 9      | 13     | 10               | 25           | F211AG332(1)050(2)    | SMR10332(3)50A01(2)  |
| 50  | 30  | 0.0039                 | AG/A01                 | 4                        | 9      | 13     | 10               | 25           | F211AG392(1)050(2)    | SMR10392(3)50A01(2)  |
| 50  | 30  | 0.0047                 | AG/A01                 | 4                        | 9      | 13     | 10               | 25           | F211AG472(1)050(2)    | SMR10472(3)50A01(2)  |
| 50  | 30  | 0.0056                 | AG/A01                 | 4                        | 9      | 13     | 10               | 25           | F211AG562(1)050(2)    | SMR10562(3)50A01(2)  |
| 50  | 30  | 0.0068                 | AG/A01                 | 4                        | 9      | 13     | 10               | 25           | F211AG682(1)050(2)    | SMR10682(3)50A01(2)  |
| 50  | 30  | 0.0082                 | AG/A01                 | 4                        | 9      | 13     | 10               | 25           | F211AG822(1)050(2)    | SMR10822(3)50A01(2)  |
| 50  | 30  | 0.01                   | AG/A01                 | 4                        | 9      | 13     | 10               | 25           | F211AG103(1)050(2)    | SMR10103(3)50A01(2)  |
| 50  | 30  | 0.012                  | AG/A01                 | 4                        | 9      | 13     | 10               | 25           | F211AG123(1)050(2)    | SMR10123(3)50A01(2)  |
| 50  | 30  | 0.015                  | AG/A01                 | 4                        | 9      | 13     | 10               | 25           | F211AG153(1)050(2)    | SMR10153(3)50A01(2)  |
| 50  | 30  | 0.018                  | AG/A01                 | 4                        | 9      | 13     | 10               | 25           | F211AG183(1)050(2)    | SMR10183(3)50A01(2)  |
| 50  | 30  | 0.022                  | AG/A01                 | 4                        | 9      | 13     | 10               | 25           | F211AG223(1)050(2)    | SMR10223(3)50A01(2)  |
| 50  | 30  | 0.027                  | AG/A01                 | 4                        | 9      | 13     | 10               | 25           | F211AG273(1)050(2)    | SMR10273(3)50A01(2)  |
| 50  | 30  | 0.033                  | AG/A01                 | 4                        | 9      | 13     | 10               | 25           | F211AG333(1)050(2)    | SMR10333(3)50A01(2)  |
| 50  | 30  | 0.039                  | AG/A01                 | 4                        | 9      | 13     | 10               | 15           | F211AG393(1)050(2)    | SMR10393(3)50A01(2)  |
| 50  | 30  | 0.047                  | AG/A01                 | 4                        | 9      | 13     | 10               | 15           | F211AG473(1)050(2)    | SMR10473(3)50A01(2)  |
| 50  | 30  | 0.056                  | AG/A01                 | 4                        | 9      | 13     | 10               | 15           | F211AG563(1)050(2)    | SMR10563(3)50A01(2)  |
| 50  | 30  | 0.068                  | AG/A01                 | 4                        | 9      | 13     | 10               | 15           | F211AG683(1)050(2)    | SMR10683(3)50A01(2)  |
| 50  | 30  | 0.082                  | AG/A01                 | 4                        | 9      | 13     | 10               | 10           | F211AG823(1)050(2)    | SMR10823(3)50A01(2)  |
| 50  | 30  | 0.1                    | AG/A01                 | 4                        | 9      | 13     | 10               | 10           | F211AG104(1)050(2)    | SMR10104(3)50A01(2)  |
| 50  | 30  | 0.12                   | AG/A01                 | 4                        | 9      | 13     | 10               | 10           | F211AG124(1)050(2)    | SMR10124(3)50A01(2)  |
| 50  | 30  | 0.15                   | AG/A01                 | 4                        | 9      | 13     | 10               | 10           | F211AG154(1)050(2)    | SMR10154(3)50A01(2)  |
| 50  | 30  | 0.18                   | AG/A01                 | 4                        | 9      | 13     | 10               | 10           | F211AG184(1)050(2)    | SMR10184(3)50A01(2)  |
| 50  | 30  | 0.22                   | AG/A01                 | 4                        | 9      | 13     | 10               | 10           | F211AG224(1)050(2)    | SMR10224(3)50A01(2)  |
| 50  | 30  | 0.27                   | AG/A01                 | 4                        | 9      | 13     | 10               | 8            | F211AG274(1)050(2)    | SMR10274(3)50A01(2)  |
| 50  | 30  | 0.33                   | AG/A01                 | 4                        | 9      | 13     | 10               | 8            | F211AG334(1)050(2)    | SMR10334(3)50A01(2)  |
| 50  | 30  | 0.39                   | AG/A01                 | 4                        | 9      | 13     | 10               | 8            | F211AG394(1)050(2)    | SMR10394(3)50A01(2)  |
| 50  | 30  | 0.47                   | AG/A01                 | 4                        | 9      | 13     | 10               | 8            | F211AG474(1)050(2)    | SMR10474(3)50A01(2)  |
| 50  | 30  | 0.56                   | AG/A01                 | 4                        | 9      | 13     | 10               | 8            | F211AG564(1)050(2)    | SMR10564(3)50A01(2)  |
| 50  | 30  | 0.68                   | AG/A01                 | 4                        | 9      | 13     | 10               | 8            | F211AG684(1)050(2)    | SMR10684(3)50A01(2)  |
| 50  | 30  | 0.82                   | AH/A02                 | 4.5                      | 10.5   | 13     | 10               | 8            | F211AH824(1)050(2)    | SMR10824(3)50A02(2)  |
| 50  | 30  | 1                      | AK/A03                 | 4.5                      | 10.5   | 13     | 10               | 8            | F211AK105(1)050(2)    | SMR10105(3)50A03(2)  |
| 50  | 30  | 1.2                    | AK/A03                 | 5                        | 11     | 13     | 10               | 8            | F211AK125(1)050(2)    | SMR10125(3)50A03(2)  |
| 50  | 30  | 1.5                    | AP/A04                 | 6                        | 12     | 13     | 10               | 8            | F211AP155(1)050(2)    | SMR10155(3)50A04(2)  |
| 50  | 30  | 1.8                    | AP/A04                 | 6                        | 12     | 13     | 10               | 8            | F211AP185(1)050(2)    | SMR10185(3)50A04(2)  |
| 50  | 30  | 2.2                    | BJ/B10                 | 6.5                      | 12.5   | 18     | 15               | 6            | F211BJ225(1)050(2)    | SMR15225(3)50B10(2)  |
| VDC | VAC | Capacitance Value (µF) | Size Code (New/Legacy) | B (mm)                   | H (mm) | L (mm) | Lead Spacing (p) | dV/dt (V/µs) | New KEMET Part Number | Legacy Part Number   |

(1) R = ±2.5%, J = ±5%, K = ±10%, M = ±20%  
 (2) Insert lead and packaging code. See Ordering Options Table for available options.  
 (3) H = ±2.5%, J = ±5%, K = ±10%, M = ±20%

**Table 1 – Ratings & Part Number Reference cont.**

| VDC | VAC | Capacitance Value (µF) | Size Code (New/Legacy) | Maximum Dimensions in mm |        |        | Lead Spacing (p) | dV/dt (V/µs) | New KEMET Part Number | Legacy Part Number    |
|-----|-----|------------------------|------------------------|--------------------------|--------|--------|------------------|--------------|-----------------------|-----------------------|
|     |     |                        |                        | B                        | H      | L      |                  |              |                       |                       |
| 50  | 30  | 2.7                    | BL/B06                 | 7.5                      | 14.5   | 18     | 15               | 6            | F211BL275(1)050(2)    | SMR15275(3)50B06(2)   |
| 50  | 30  | 3.3                    | BL/B06                 | 7.5                      | 14.5   | 18     | 15               | 6            | F211BL335(1)050(2)    | SMR15335(3)50B06(2)   |
| 50  | 30  | 3.9                    | BM/B12                 | 8                        | 15     | 18     | 15               | 6            | F211BM395(1)050(2)    | SMR15395(3)50B12(2)   |
| 50  | 30  | 4.7                    | BV/B14                 | 8.5                      | 16     | 18     | 15               | 6            | F211BV475(1)050(2)    | SMR15475(3)50B14(2)   |
| 50  | 30  | 5.6                    | BV/B14                 | 9.5                      | 17.5   | 18     | 15               | 6            | F211BV565(1)050(2)    | SMR15565(3)50B14(2)   |
| 50  | 30  | 6.8                    | DM/D15                 | 9                        | 18.5   | 26     | 22.5             | 3            | F211DM685(1)050(2)    | SMR22.5685(3)50D15(2) |
| 50  | 30  | 8.2                    | DM/D15                 | 9                        | 18.5   | 26     | 22.5             | 3            | F211DM825(1)050(2)    | SMR22.5825(3)50D15(2) |
| 50  | 30  | 10                     | DR/D18                 | 10.5                     | 19     | 26     | 22.5             | 3            | F211DR106(1)050(2)    | SMR22.5106(3)50D18(2) |
| 50  | 30  | 12                     | DT/D16                 | 11                       | 21.5   | 26     | 22.5             | 3            | F211DT126(1)050(2)    | SMR22.5126(3)50D16(2) |
| 50  | 30  | 15                     | FE/F11                 | 10.5                     | 20.5   | 31.5   | 27.5             | 2            | F211FE156(1)050(2)    | SMR27.5156(3)50F11(2) |
| 50  | 30  | 18                     | FG/F12                 | 11.5                     | 22.5   | 31.5   | 27.5             | 2            | F211FG186(1)050(2)    | SMR27.5186(3)50F12(2) |
| 50  | 30  | 22                     | FM/F13                 | 14.5                     | 24.5   | 31.5   | 27.5             | 2            | F211FM226(1)050(2)    | SMR27.5226(3)50F13(2) |
| 63  | 40  | 0.001                  | JF/J01                 | 2.5                      | 6.5    | 7.2    | 5                | 40           | F211JF102(1)063(2)    | SMR5102(3)63J01(2)    |
| 63  | 40  | 0.0012                 | JF/J01                 | 2.5                      | 6.5    | 7.2    | 5                | 40           | F211JF122(1)063(2)    | SMR5122(3)63J01(2)    |
| 63  | 40  | 0.0015                 | JF/J01                 | 2.5                      | 6.5    | 7.2    | 5                | 40           | F211JF152(1)063(2)    | SMR5152(3)63J01(2)    |
| 63  | 40  | 0.0018                 | JF/J01                 | 2.5                      | 6.5    | 7.2    | 5                | 40           | F211JF182(1)063(2)    | SMR5182(3)63J01(2)    |
| 63  | 40  | 0.0022                 | JF/J01                 | 2.5                      | 6.5    | 7.2    | 5                | 40           | F211JF222(1)063(2)    | SMR5222(3)63J01(2)    |
| 63  | 40  | 0.0027                 | JF/J01                 | 2.5                      | 6.5    | 7.2    | 5                | 40           | F211JF272(1)063(2)    | SMR5272(3)63J01(2)    |
| 63  | 40  | 0.0033                 | JF/J01                 | 2.5                      | 6.5    | 7.2    | 5                | 40           | F211JF332(1)063(2)    | SMR5332(3)63J01(2)    |
| 63  | 40  | 0.0039                 | JF/J01                 | 2.5                      | 6.5    | 7.2    | 5                | 40           | F211JF392(1)063(2)    | SMR5392(3)63J01(2)    |
| 63  | 40  | 0.0047                 | JF/J01                 | 2.5                      | 6.5    | 7.2    | 5                | 20           | F211JF472(1)063(2)    | SMR5472(3)63J01(2)    |
| 63  | 40  | 0.0056                 | JF/J01                 | 2.5                      | 6.5    | 7.2    | 5                | 20           | F211JF562(1)063(2)    | SMR5562(3)63J01(2)    |
| 63  | 40  | 0.0068                 | JF/J01                 | 2.5                      | 6.5    | 7.2    | 5                | 20           | F211JF682(1)063(2)    | SMR5682(3)63J01(2)    |
| 63  | 40  | 0.0082                 | JF/J01                 | 2.5                      | 6.5    | 7.2    | 5                | 20           | F211JF822(1)063(2)    | SMR5822(3)63J01(2)    |
| 63  | 40  | 0.01                   | JF/J01                 | 2.5                      | 6.5    | 7.2    | 5                | 20           | F211JF103(1)063(2)    | SMR5103(3)63J01(2)    |
| 63  | 40  | 0.012                  | JF/J01                 | 2.5                      | 6.5    | 7.2    | 5                | 15           | F211JF123(1)063(2)    | SMR5123(3)63J01(2)    |
| 63  | 40  | 0.015                  | JF/J01                 | 2.5                      | 6.5    | 7.2    | 5                | 15           | F211JF153(1)063(2)    | SMR5153(3)63J01(2)    |
| 63  | 40  | 0.018                  | JF/J01                 | 2.5                      | 6.5    | 7.2    | 5                | 15           | F211JF183(1)063(2)    | SMR5183(3)63J01(2)    |
| 63  | 40  | 0.022                  | JF/J01                 | 2.5                      | 6.5    | 7.2    | 5                | 15           | F211JF223(1)063(2)    | SMR5223(3)63J01(2)    |
| 63  | 40  | 0.027                  | JF/J01                 | 2.5                      | 6.5    | 7.2    | 5                | 15           | F211JF273(1)063(2)    | SMR5273(3)63J01(2)    |
| 63  | 40  | 0.033                  | JF/J01                 | 2.5                      | 6.5    | 7.2    | 5                | 15           | F211JF333(1)063(2)    | SMR5333(3)63J01(2)    |
| 63  | 40  | 0.039                  | JF/J01                 | 2.5                      | 6.5    | 7.2    | 5                | 15           | F211JF393(1)063(2)    | SMR5393(3)63J01(2)    |
| 63  | 40  | 0.047                  | JF/J01                 | 2.5                      | 6.5    | 7.2    | 5                | 6            | F211JF473(1)063(2)    | SMR5473(3)63J01(2)    |
| 63  | 40  | 0.056                  | JF/J01                 | 2.5                      | 6.5    | 7.2    | 5                | 6            | F211JF563(1)063(2)    | SMR5563(3)63J01(2)    |
| 63  | 40  | 0.068                  | JF/J01                 | 2.5                      | 6.5    | 7.2    | 5                | 6            | F211JF683(1)063(2)    | SMR5683(3)63J01(2)    |
| 63  | 40  | 0.082                  | JJ/J02                 | 3.5                      | 8      | 7.2    | 5                | 6            | F211JJ823(1)063(2)    | SMR5823(3)63J02(2)    |
| 63  | 40  | 0.1                    | JJ/J02                 | 3.5                      | 8      | 7.2    | 5                | 6            | F211JJ104(1)063(2)    | SMR5104(3)63J02(2)    |
| 63  | 40  | 0.12                   | JJ/J02                 | 3.5                      | 8      | 7.2    | 5                | 6            | F211JJ124(1)063(2)    | SMR5124(3)63J02(2)    |
| 63  | 40  | 0.15                   | JJ/J02                 | 3.5                      | 8      | 7.2    | 5                | 6            | F211JJ154(1)063(2)    | SMR5154(3)63J02(2)    |
| 63  | 40  | 0.18                   | JL/J03                 | 4.5                      | 9      | 7.2    | 5                | 6            | F211JL184(1)063(2)    | SMR5184(3)63J03(2)    |
| 63  | 40  | 0.22                   | JL/J03                 | 4.5                      | 9      | 7.2    | 5                | 6            | F211JL224(1)063(2)    | SMR5224(3)63J03(2)    |
| 63  | 40  | 0.27                   | JQ/J04                 | 5                        | 10     | 7.2    | 5                | 6            | F211JQ274(1)063(2)    | SMR5274(3)63J04(2)    |
| 63  | 40  | 0.33                   | JQ/J04                 | 5                        | 10     | 7.2    | 5                | 6            | F211JQ334(1)063(2)    | SMR5334(3)63J04(2)    |
| 63  | 40  | 0.39                   | JT/J05                 | 6                        | 11     | 7.2    | 5                | 6            | F211JT394(1)063(2)    | SMR5394(3)63J05(2)    |
| 63  | 40  | 0.47                   | JT/J05                 | 6                        | 11     | 7.2    | 5                | 6            | F211JT474(1)063(2)    | SMR5474(3)63J05(2)    |
| 63  | 40  | 0.56                   | JU/J06                 | 7.2                      | 13     | 7.2    | 5                | 6            | F211JU564(1)063(2)    | SMR5564(3)63J06(2)    |
| 63  | 40  | 0.68                   | JU/J06                 | 7.2                      | 13     | 7.2    | 5                | 6            | F211JU684(1)063(2)    | SMR5684(3)63J06(2)    |
| 63  | 40  | 0.001                  | KG/K01                 | 4                        | 8      | 10     | 7.5              | 30           | F211KG102(1)063(2)    | SMR7.5102(3)63K01(2)  |
| 63  | 40  | 0.0012                 | KG/K01                 | 4                        | 8      | 10     | 7.5              | 30           | F211KG122(1)063(2)    | SMR7.5122(3)63K01(2)  |
| 63  | 40  | 0.0015                 | KG/K01                 | 4                        | 8      | 10     | 7.5              | 30           | F211KG152(1)063(2)    | SMR7.5152(3)63K01(2)  |
| 63  | 40  | 0.0018                 | KG/K01                 | 4                        | 8      | 10     | 7.5              | 30           | F211KG182(1)063(2)    | SMR7.5182(3)63K01(2)  |
| 63  | 40  | 0.0022                 | KG/K01                 | 4                        | 8      | 10     | 7.5              | 30           | F211KG222(1)063(2)    | SMR7.5222(3)63K01(2)  |
| 63  | 40  | 0.0027                 | KG/K01                 | 4                        | 8      | 10     | 7.5              | 30           | F211KG272(1)063(2)    | SMR7.5272(3)63K01(2)  |
| 63  | 40  | 0.0033                 | KG/K01                 | 4                        | 8      | 10     | 7.5              | 30           | F211KG332(1)063(2)    | SMR7.5332(3)63K01(2)  |
| 63  | 40  | 0.0039                 | KG/K01                 | 4                        | 8      | 10     | 7.5              | 30           | F211KG392(1)063(2)    | SMR7.5392(3)63K01(2)  |
| 63  | 40  | 0.0047                 | KG/K01                 | 4                        | 8      | 10     | 7.5              | 30           | F211KG472(1)063(2)    | SMR7.5472(3)63K01(2)  |
| VDC | VAC | Capacitance Value (µF) | Size Code (New/Legacy) | B (mm)                   | H (mm) | L (mm) | Lead Spacing (p) | dV/dt (V/µs) | New KEMET Part Number | Legacy Part Number    |

(1) R = ±2.5%, J = ±5%, K = ±10%, M = ±20%

(2) Insert lead and packaging code. See Ordering Options Table for available options.

(3) H = ±2.5%, J = ±5%, K = ±10%, M = ±20%

**Table 1 – Ratings & Part Number Reference cont.**

| VDC | VAC | Capacitance Value (µF) | Size Code (New/Legacy) | Maximum Dimensions in mm |        |        | Lead Spacing (p) | dV/dt (V/µs) | New KEMET Part Number | Legacy Part Number   |
|-----|-----|------------------------|------------------------|--------------------------|--------|--------|------------------|--------------|-----------------------|----------------------|
|     |     |                        |                        | B                        | H      | L      |                  |              |                       |                      |
| 63  | 40  | 0.0056                 | KG/K01                 | 4                        | 8      | 10     | 7.5              | 30           | F211KG562(1)063(2)    | SMR7.5562(3)63K01(2) |
| 63  | 40  | 0.0068                 | KG/K01                 | 4                        | 8      | 10     | 7.5              | 30           | F211KG682(1)063(2)    | SMR7.5682(3)63K01(2) |
| 63  | 40  | 0.0082                 | KG/K01                 | 4                        | 8      | 10     | 7.5              | 30           | F211KG822(1)063(2)    | SMR7.5822(3)63K01(2) |
| 63  | 40  | 0.01                   | KG/K01                 | 4                        | 8      | 10     | 7.5              | 30           | F211KG103(1)063(2)    | SMR7.5103(3)63K01(2) |
| 63  | 40  | 0.012                  | KG/K01                 | 4                        | 8      | 10     | 7.5              | 30           | F211KG123(1)063(2)    | SMR7.5123(3)63K01(2) |
| 63  | 40  | 0.015                  | KG/K01                 | 4                        | 8      | 10     | 7.5              | 30           | F211KG153(1)063(2)    | SMR7.5153(3)63K01(2) |
| 63  | 40  | 0.018                  | KG/K01                 | 4                        | 8      | 10     | 7.5              | 30           | F211KG183(1)063(2)    | SMR7.5183(3)63K01(2) |
| 63  | 40  | 0.022                  | KG/K01                 | 4                        | 8      | 10     | 7.5              | 30           | F211KG223(1)063(2)    | SMR7.5223(3)63K01(2) |
| 63  | 40  | 0.027                  | KG/K01                 | 4                        | 8      | 10     | 7.5              | 20           | F211KG273(1)063(2)    | SMR7.5273(3)63K01(2) |
| 63  | 40  | 0.033                  | KG/K01                 | 4                        | 8      | 10     | 7.5              | 20           | F211KG333(1)063(2)    | SMR7.5333(3)63K01(2) |
| 63  | 40  | 0.039                  | KG/K01                 | 4                        | 8      | 10     | 7.5              | 20           | F211KG393(1)063(2)    | SMR7.5393(3)63K01(2) |
| 63  | 40  | 0.047                  | KG/K01                 | 4                        | 8      | 10     | 7.5              | 20           | F211KG473(1)063(2)    | SMR7.5473(3)63K01(2) |
| 63  | 40  | 0.056                  | KG/K01                 | 4                        | 8      | 10     | 7.5              | 15           | F211KG563(1)063(2)    | SMR7.5563(3)63K01(2) |
| 63  | 40  | 0.068                  | KG/K01                 | 4                        | 8      | 10     | 7.5              | 15           | F211KG683(1)063(2)    | SMR7.5683(3)63K01(2) |
| 63  | 40  | 0.082                  | KG/K01                 | 4                        | 8      | 10     | 7.5              | 15           | F211KG823(1)063(2)    | SMR7.5823(3)63K01(2) |
| 63  | 40  | 0.1                    | KG/K01                 | 4                        | 8      | 10     | 7.5              | 15           | F211KG104(1)063(2)    | SMR7.5104(3)63K01(2) |
| 63  | 40  | 0.12                   | KG/K01                 | 4                        | 8      | 10     | 7.5              | 15           | F211KG124(1)063(2)    | SMR7.5124(3)63K01(2) |
| 63  | 40  | 0.15                   | KG/K01                 | 4                        | 8      | 10     | 7.5              | 10           | F211KG154(1)063(2)    | SMR7.5154(3)63K01(2) |
| 63  | 40  | 0.18                   | KG/K01                 | 4                        | 8      | 10     | 7.5              | 10           | F211KG184(1)063(2)    | SMR7.5184(3)63K01(2) |
| 63  | 40  | 0.22                   | KG/K01                 | 4                        | 8      | 10     | 7.5              | 10           | F211KG224(1)063(2)    | SMR7.5224(3)63K01(2) |
| 63  | 40  | 0.27                   | KG/K01                 | 4                        | 8      | 10     | 7.5              | 10           | F211KG274(1)063(2)    | SMR7.5274(3)63K01(2) |
| 63  | 40  | 0.33                   | KK/K03                 | 5                        | 11     | 10     | 7.5              | 10           | F211KK334(1)063(2)    | SMR7.5334(3)63K03(2) |
| 63  | 40  | 0.39                   | KK/K03                 | 5                        | 11     | 10     | 7.5              | 10           | F211KK394(1)063(2)    | SMR7.5394(3)63K03(2) |
| 63  | 40  | 0.47                   | KK/K03                 | 5                        | 11     | 10     | 7.5              | 10           | F211KK474(1)063(2)    | SMR7.5474(3)63K03(2) |
| 63  | 40  | 0.56                   | KK/K03                 | 5                        | 11     | 10     | 7.5              | 10           | F211KK564(1)063(2)    | SMR7.5564(3)63K03(2) |
| 63  | 40  | 0.68                   | KM/K04                 | 6                        | 12     | 10.5   | 7.5              | 10           | F211KM684(1)063(2)    | SMR7.5684(3)63K04(2) |
| 63  | 40  | 0.82                   | KM/K04                 | 6                        | 12     | 10.5   | 7.5              | 10           | F211KM824(1)063(2)    | SMR7.5824(3)63K04(2) |
| 63  | 40  | 0.0027                 | AG/A01                 | 4                        | 9      | 13     | 10               | 25           | F211AG272(1)063(2)    | SMR10272(3)63A01(2)  |
| 63  | 40  | 0.0033                 | AG/A01                 | 4                        | 9      | 13     | 10               | 25           | F211AG332(1)063(2)    | SMR10332(3)63A01(2)  |
| 63  | 40  | 0.0039                 | AG/A01                 | 4                        | 9      | 13     | 10               | 25           | F211AG392(1)063(2)    | SMR10392(3)63A01(2)  |
| 63  | 40  | 0.0047                 | AG/A01                 | 4                        | 9      | 13     | 10               | 25           | F211AG472(1)063(2)    | SMR10472(3)63A01(2)  |
| 63  | 40  | 0.0056                 | AG/A01                 | 4                        | 9      | 13     | 10               | 25           | F211AG562(1)063(2)    | SMR10562(3)63A01(2)  |
| 63  | 40  | 0.0068                 | AG/A01                 | 4                        | 9      | 13     | 10               | 25           | F211AG682(1)063(2)    | SMR10682(3)63A01(2)  |
| 63  | 40  | 0.0082                 | AG/A01                 | 4                        | 9      | 13     | 10               | 25           | F211AG822(1)063(2)    | SMR10822(3)63A01(2)  |
| 63  | 40  | 0.01                   | AG/A01                 | 4                        | 9      | 13     | 10               | 25           | F211AG103(1)063(2)    | SMR10103(3)63A01(2)  |
| 63  | 40  | 0.012                  | AG/A01                 | 4                        | 9      | 13     | 10               | 25           | F211AG123(1)063(2)    | SMR10123(3)63A01(2)  |
| 63  | 40  | 0.015                  | AG/A01                 | 4                        | 9      | 13     | 10               | 25           | F211AG153(1)063(2)    | SMR10153(3)63A01(2)  |
| 63  | 40  | 0.018                  | AG/A01                 | 4                        | 9      | 13     | 10               | 25           | F211AG183(1)063(2)    | SMR10183(3)63A01(2)  |
| 63  | 40  | 0.022                  | AG/A01                 | 4                        | 9      | 13     | 10               | 25           | F211AG223(1)063(2)    | SMR10223(3)63A01(2)  |
| 63  | 40  | 0.027                  | AG/A01                 | 4                        | 9      | 13     | 10               | 25           | F211AG273(1)063(2)    | SMR10273(3)63A01(2)  |
| 63  | 40  | 0.033                  | AG/A01                 | 4                        | 9      | 13     | 10               | 25           | F211AG333(1)063(2)    | SMR10333(3)63A01(2)  |
| 63  | 40  | 0.039                  | AG/A01                 | 4                        | 9      | 13     | 10               | 15           | F211AG393(1)063(2)    | SMR10393(3)63A01(2)  |
| 63  | 40  | 0.047                  | AG/A01                 | 4                        | 9      | 13     | 10               | 15           | F211AG473(1)063(2)    | SMR10473(3)63A01(2)  |
| 63  | 40  | 0.056                  | AG/A01                 | 4                        | 9      | 13     | 10               | 15           | F211AG563(1)063(2)    | SMR10563(3)63A01(2)  |
| 63  | 40  | 0.068                  | AG/A01                 | 4                        | 9      | 13     | 10               | 15           | F211AG683(1)063(2)    | SMR10683(3)63A01(2)  |
| 63  | 40  | 0.082                  | AG/A01                 | 4                        | 9      | 13     | 10               | 10           | F211AG823(1)063(2)    | SMR10823(3)63A01(2)  |
| 63  | 40  | 0.1                    | AG/A01                 | 4                        | 9      | 13     | 10               | 10           | F211AG104(1)063(2)    | SMR10104(3)63A01(2)  |
| 63  | 40  | 0.12                   | AG/A01                 | 4                        | 9      | 13     | 10               | 10           | F211AG124(1)063(2)    | SMR10124(3)63A01(2)  |
| 63  | 40  | 0.15                   | AG/A01                 | 4                        | 9      | 13     | 10               | 10           | F211AG154(1)063(2)    | SMR10154(3)63A01(2)  |
| 63  | 40  | 0.18                   | AG/A01                 | 4                        | 9      | 13     | 10               | 10           | F211AG184(1)063(2)    | SMR10184(3)63A01(2)  |
| 63  | 40  | 0.22                   | AG/A01                 | 4                        | 9      | 13     | 10               | 10           | F211AG224(1)063(2)    | SMR10224(3)63A01(2)  |
| 63  | 40  | 0.27                   | AG/A01                 | 4                        | 9      | 13     | 10               | 8            | F211AG274(1)063(2)    | SMR10274(3)63A01(2)  |
| 63  | 40  | 0.33                   | AG/A01                 | 4                        | 9      | 13     | 10               | 8            | F211AG334(1)063(2)    | SMR10334(3)63A01(2)  |
| 63  | 40  | 0.39                   | AG/A01                 | 4                        | 9      | 13     | 10               | 8            | F211AG394(1)063(2)    | SMR10394(3)63A01(2)  |
| 63  | 40  | 0.47                   | AH/A02                 | 4.5                      | 10.5   | 13     | 10               | 8            | F211AH474(1)063(2)    | SMR10474(3)63A02(2)  |
| 63  | 40  | 0.56                   | AH/A02                 | 4.5                      | 10.5   | 13     | 10               | 8            | F211AH564(1)063(2)    | SMR10564(3)63A02(2)  |
| VDC | VAC | Capacitance Value (µF) | Size Code (New/Legacy) | B (mm)                   | H (mm) | L (mm) | Lead Spacing (p) | dV/dt (V/µs) | New KEMET Part Number | Legacy Part Number   |

(1) R = ±2.5%, J = ±5%, K = ±10%, M = ±20%  
 (2) Insert lead and packaging code. See Ordering Options Table for available options.  
 (3) H = ±2.5%, J = ±5%, K = ±10%, M = ±20%

**Table 1 – Ratings & Part Number Reference cont.**

| VDC | VAC | Capacitance Value (µF) | Size Code (New/Legacy) | Maximum Dimensions in mm |        |        | Lead Spacing (p) | dV/dt (V/µs) | New KEMET Part Number | Legacy Part Number    |
|-----|-----|------------------------|------------------------|--------------------------|--------|--------|------------------|--------------|-----------------------|-----------------------|
|     |     |                        |                        | B                        | H      | L      |                  |              |                       |                       |
| 63  | 40  | 0.68                   | AK/A03                 | 5                        | 11     | 13     | 10               | 8            | F211AK684(1)063(2)    | SMR10684(3)63A03(2)   |
| 63  | 40  | 0.82                   | AP/A04                 | 6                        | 12     | 13     | 10               | 8            | F211AP824(1)063(2)    | SMR10824(3)63A04(2)   |
| 63  | 40  | 1                      | AP/A04                 | 6                        | 12     | 13     | 10               | 8            | F211AP105(1)063(2)    | SMR10105(3)63A04(2)   |
| 63  | 40  | 0.68                   | BD/B04                 | 5.5                      | 10.5   | 18     | 15               | 8            | F211BD684(1)063(2)    | SMR15684(3)63B04(2)   |
| 63  | 40  | 0.82                   | BD/B04                 | 5.5                      | 10.5   | 18     | 15               | 8            | F211BD824(1)063(2)    | SMR15824(3)63B04(2)   |
| 63  | 40  | 1                      | BE/B05                 | 5.5                      | 12.5   | 18     | 15               | 8            | F211BE105(1)063(2)    | SMR15105(3)63B05(2)   |
| 63  | 40  | 1.2                    | BJ/B10                 | 6.5                      | 12.5   | 18     | 15               | 6            | F211BJ125(1)063(2)    | SMR15125(3)63B10(2)   |
| 63  | 40  | 1.5                    | BJ/B10                 | 6.5                      | 12.5   | 18     | 15               | 6            | F211BJ155(1)063(2)    | SMR15155(3)63B10(2)   |
| 63  | 40  | 1.8                    | BL/B06                 | 7.5                      | 14.5   | 18     | 15               | 6            | F211BL185(1)063(2)    | SMR15185(3)63B06(2)   |
| 63  | 40  | 2.2                    | BM/B12                 | 8                        | 15     | 18     | 15               | 6            | F211BM225(1)063(2)    | SMR15225(3)63B12(2)   |
| 63  | 40  | 2.7                    | BQ/B11                 | 8.5                      | 16     | 18     | 15               | 6            | F211BQ275(1)063(2)    | SMR15275(3)63B11(2)   |
| 63  | 40  | 3.3                    | BV/B14                 | 9.5                      | 17.5   | 18     | 15               | 6            | F211BV335(1)063(2)    | SMR15335(3)63B14(2)   |
| 63  | 40  | 2.7                    | DD/D13                 | 6.5                      | 14.5   | 26     | 22.5             | 3            | F211DD275(1)063(2)    | SMR22.5275(3)63D13(2) |
| 63  | 40  | 3.3                    | DF/D17                 | 7                        | 16.5   | 26     | 22.5             | 3            | F211DF335(1)063(2)    | SMR22.5335(3)63D17(2) |
| 63  | 40  | 3.9                    | DH/D14                 | 8                        | 16     | 26     | 22.5             | 3            | F211DH395(1)063(2)    | SMR22.5395(3)63D14(2) |
| 63  | 40  | 4.7                    | DM/D15                 | 9                        | 18.5   | 26     | 22.5             | 3            | F211DM475(1)063(2)    | SMR22.5475(3)63D15(2) |
| 63  | 40  | 5.6                    | DM/D15                 | 9                        | 18.5   | 26     | 22.5             | 3            | F211DM565(1)063(2)    | SMR22.5565(3)63D15(2) |
| 63  | 40  | 6.8                    | DR/D18                 | 10.5                     | 19     | 26     | 22.5             | 3            | F211DR685(1)063(2)    | SMR22.5685(3)63D18(2) |
| 63  | 40  | 8.2                    | DT/D16                 | 11                       | 21.5   | 26     | 22.5             | 3            | F211DT825(1)063(2)    | SMR22.5825(3)63D16(2) |
| 63  | 40  | 10                     | FG/F12                 | 11.5                     | 22.5   | 31.5   | 27.5             | 2            | F211FG106(1)063(2)    | SMR27.5106(3)63F12(2) |
| 63  | 40  | 12                     | FM/F13                 | 14.5                     | 24.5   | 31.5   | 27.5             | 2            | F211FM126(1)063(2)    | SMR27.5126(3)63F13(2) |
| 63  | 40  | 15                     | FM/F13                 | 14.5                     | 24.5   | 31.5   | 27.5             | 2            | F211FM156(1)063(2)    | SMR27.5156(3)63F13(2) |
| 63  | 40  | 18                     | FR/F14                 | 17.5                     | 28     | 31.5   | 27.5             | 2            | F211FR186(1)063(2)    | SMR27.5186(3)63F14(2) |
| 63  | 40  | 22                     | FR/F14                 | 17.5                     | 28     | 31.5   | 27.5             | 2            | F211FR226(1)063(2)    | SMR27.5226(3)63F14(2) |
| 100 | 63  | 0.001                  | JF/J01                 | 2.5                      | 6.5    | 7.2    | 5                | 40           | F211JF102(1)100(2)    | SMR5102(3)100J01(2)   |
| 100 | 63  | 0.0012                 | JF/J01                 | 2.5                      | 6.5    | 7.2    | 5                | 40           | F211JF122(1)100(2)    | SMR5122(3)100J01(2)   |
| 100 | 63  | 0.0015                 | JF/J01                 | 2.5                      | 6.5    | 7.2    | 5                | 40           | F211JF152(1)100(2)    | SMR5152(3)100J01(2)   |
| 100 | 63  | 0.0018                 | JF/J01                 | 2.5                      | 6.5    | 7.2    | 5                | 40           | F211JF182(1)100(2)    | SMR5182(3)100J01(2)   |
| 100 | 63  | 0.0022                 | JF/J01                 | 2.5                      | 6.5    | 7.2    | 5                | 40           | F211JF222(1)100(2)    | SMR5222(3)100J01(2)   |
| 100 | 63  | 0.0027                 | JF/J01                 | 2.5                      | 6.5    | 7.2    | 5                | 40           | F211JF272(1)100(2)    | SMR5272(3)100J01(2)   |
| 100 | 63  | 0.0033                 | JF/J01                 | 2.5                      | 6.5    | 7.2    | 5                | 40           | F211JF332(1)100(2)    | SMR5332(3)100J01(2)   |
| 100 | 63  | 0.0039                 | JF/J01                 | 2.5                      | 6.5    | 7.2    | 5                | 40           | F211JF392(1)100(2)    | SMR5392(3)100J01(2)   |
| 100 | 63  | 0.0047                 | JF/J01                 | 2.5                      | 6.5    | 7.2    | 5                | 20           | F211JF472(1)100(2)    | SMR5472(3)100J01(2)   |
| 100 | 63  | 0.0056                 | JF/J01                 | 2.5                      | 6.5    | 7.2    | 5                | 20           | F211JF562(1)100(2)    | SMR5562(3)100J01(2)   |
| 100 | 63  | 0.0068                 | JF/J01                 | 2.5                      | 6.5    | 7.2    | 5                | 20           | F211JF682(1)100(2)    | SMR5682(3)100J01(2)   |
| 100 | 63  | 0.0082                 | JF/J01                 | 2.5                      | 6.5    | 7.2    | 5                | 20           | F211JF822(1)100(2)    | SMR5822(3)100J01(2)   |
| 100 | 63  | 0.01                   | JF/J01                 | 2.5                      | 6.5    | 7.2    | 5                | 20           | F211JF103(1)100(2)    | SMR5103(3)100J01(2)   |
| 100 | 63  | 0.012                  | JF/J01                 | 2.5                      | 6.5    | 7.2    | 5                | 15           | F211JF123(1)100(2)    | SMR5123(3)100J01(2)   |
| 100 | 63  | 0.015                  | JF/J01                 | 2.5                      | 6.5    | 7.2    | 5                | 15           | F211JF153(1)100(2)    | SMR5153(3)100J01(2)   |
| 100 | 63  | 0.018                  | JF/J01                 | 2.5                      | 6.5    | 7.2    | 5                | 15           | F211JF183(1)100(2)    | SMR5183(3)100J01(2)   |
| 100 | 63  | 0.022                  | JF/J01                 | 2.5                      | 6.5    | 7.2    | 5                | 15           | F211JF223(1)100(2)    | SMR5223(3)100J01(2)   |
| 100 | 63  | 0.027                  | JF/J01                 | 2.5                      | 6.5    | 7.2    | 5                | 15           | F211JF273(1)100(2)    | SMR5273(3)100J01(2)   |
| 100 | 63  | 0.033                  | JF/J01                 | 2.5                      | 6.5    | 7.2    | 5                | 15           | F211JF333(1)100(2)    | SMR5333(3)100J01(2)   |
| 100 | 63  | 0.039                  | JF/J01                 | 2.5                      | 6.5    | 7.2    | 5                | 15           | F211JF393(1)100(2)    | SMR5393(3)100J01(2)   |
| 100 | 63  | 0.047                  | JJ/J02                 | 3.5                      | 8      | 7.2    | 5                | 15           | F211JJ473(1)100(2)    | SMR5473(3)100J02(2)   |
| 100 | 63  | 0.056                  | JL/J03                 | 4.5                      | 9      | 7.2    | 5                | 15           | F211JL563(1)100(2)    | SMR5563(3)100J03(2)   |
| 100 | 63  | 0.068                  | JL/J03                 | 4.5                      | 9      | 7.2    | 5                | 15           | F211JL683(1)100(2)    | SMR5683(3)100J03(2)   |
| 100 | 63  | 0.082                  | JL/J03                 | 4.5                      | 9      | 7.2    | 5                | 15           | F211JL823(1)100(2)    | SMR5823(3)100J03(2)   |
| 100 | 63  | 0.1                    | JL/J03                 | 4.5                      | 9      | 7.2    | 5                | 15           | F211JL104(1)100(2)    | SMR5104(3)100J03(2)   |
| 100 | 63  | 0.12                   | JQ/J04                 | 5                        | 10     | 7.2    | 5                | 15           | F211JQ124(1)100(2)    | SMR5124(3)100J04(2)   |
| 100 | 63  | 0.15                   | JT/J05                 | 6                        | 11     | 7.2    | 5                | 15           | F211JT154(1)100(2)    | SMR5154(3)100J05(2)   |
| 100 | 63  | 0.18                   | JT/J05                 | 6                        | 11     | 7.2    | 5                | 15           | F211JT184(1)100(2)    | SMR5184(3)100J05(2)   |
| 100 | 63  | 0.22                   | JU/J06                 | 7.2                      | 13     | 7.2    | 5                | 15           | F211JU224(1)100(2)    | SMR5224(3)100J06(2)   |
| 100 | 63  | 0.27                   | JU/J06                 | 7.2                      | 13     | 7.2    | 5                | 15           | F211JU274(1)100(2)    | SMR5274(3)100J06(2)   |
| 100 | 63  | 0.33                   | JU/J06                 | 7.2                      | 13     | 7.2    | 5                | 15           | F211JU334(1)100(2)    | SMR5334(3)100J06(2)   |
| 100 | 63  | 0.001                  | KG/K01                 | 4                        | 8      | 10     | 7.5              | 30           | F211KG102(1)100(2)    | SMR7.5102(3)100K01(2) |
| VDC | VAC | Capacitance Value (µF) | Size Code (New/Legacy) | B (mm)                   | H (mm) | L (mm) | Lead Spacing (p) | dV/dt (V/µs) | New KEMET Part Number | Legacy Part Number    |

(1) R = ±2.5%, J = ±5%, K = ±10%, M = ±20%  
 (2) Insert lead and packaging code. See Ordering Options Table for available options.  
 (3) H = ±2.5%, J = ±5%, K = ±10%, M = ±20%



**Table 1 – Ratings & Part Number Reference cont.**

| VDC | VAC | Capacitance Value (µF) | Size Code (New/Legacy) | Maximum Dimensions in mm |        |        | Lead Spacing (p) | dV/dt (V/µs) | New KEMET Part Number | Legacy Part Number    |
|-----|-----|------------------------|------------------------|--------------------------|--------|--------|------------------|--------------|-----------------------|-----------------------|
|     |     |                        |                        | B                        | H      | L      |                  |              |                       |                       |
| 100 | 63  | 0.0012                 | KG/K01                 | 4                        | 8      | 10     | 7.5              | 30           | F211KG122(1)100(2)    | SMR7.5122(3)100K01(2) |
| 100 | 63  | 0.0015                 | KG/K01                 | 4                        | 8      | 10     | 7.5              | 30           | F211KG152(1)100(2)    | SMR7.5152(3)100K01(2) |
| 100 | 63  | 0.0018                 | KG/K01                 | 4                        | 8      | 10     | 7.5              | 30           | F211KG182(1)100(2)    | SMR7.5182(3)100K01(2) |
| 100 | 63  | 0.0022                 | KG/K01                 | 4                        | 8      | 10     | 7.5              | 30           | F211KG222(1)100(2)    | SMR7.5222(3)100K01(2) |
| 100 | 63  | 0.0027                 | KG/K01                 | 4                        | 8      | 10     | 7.5              | 30           | F211KG272(1)100(2)    | SMR7.5272(3)100K01(2) |
| 100 | 63  | 0.0033                 | KG/K01                 | 4                        | 8      | 10     | 7.5              | 30           | F211KG332(1)100(2)    | SMR7.5332(3)100K01(2) |
| 100 | 63  | 0.0039                 | KG/K01                 | 4                        | 8      | 10     | 7.5              | 30           | F211KG392(1)100(2)    | SMR7.5392(3)100K01(2) |
| 100 | 63  | 0.0047                 | KG/K01                 | 4                        | 8      | 10     | 7.5              | 30           | F211KG472(1)100(2)    | SMR7.5472(3)100K01(2) |
| 100 | 63  | 0.0056                 | KG/K01                 | 4                        | 8      | 10     | 7.5              | 30           | F211KG562(1)100(2)    | SMR7.5562(3)100K01(2) |
| 100 | 63  | 0.0068                 | KG/K01                 | 4                        | 8      | 10     | 7.5              | 30           | F211KG682(1)100(2)    | SMR7.5682(3)100K01(2) |
| 100 | 63  | 0.0082                 | KG/K01                 | 4                        | 8      | 10     | 7.5              | 30           | F211KG822(1)100(2)    | SMR7.5822(3)100K01(2) |
| 100 | 63  | 0.01                   | KG/K01                 | 4                        | 8      | 10     | 7.5              | 30           | F211KG103(1)100(2)    | SMR7.5103(3)100K01(2) |
| 100 | 63  | 0.012                  | KG/K01                 | 4                        | 8      | 10     | 7.5              | 30           | F211KG123(1)100(2)    | SMR7.5123(3)100K01(2) |
| 100 | 63  | 0.015                  | KG/K01                 | 4                        | 8      | 10     | 7.5              | 30           | F211KG153(1)100(2)    | SMR7.5153(3)100K01(2) |
| 100 | 63  | 0.018                  | KG/K01                 | 4                        | 8      | 10     | 7.5              | 30           | F211KG183(1)100(2)    | SMR7.5183(3)100K01(2) |
| 100 | 63  | 0.022                  | KG/K01                 | 4                        | 8      | 10     | 7.5              | 30           | F211KG223(1)100(2)    | SMR7.5223(3)100K01(2) |
| 100 | 63  | 0.027                  | KG/K01                 | 4                        | 8      | 10     | 7.5              | 20           | F211KG273(1)100(2)    | SMR7.5273(3)100K01(2) |
| 100 | 63  | 0.033                  | KG/K01                 | 4                        | 8      | 10     | 7.5              | 20           | F211KG333(1)100(2)    | SMR7.5333(3)100K01(2) |
| 100 | 63  | 0.039                  | KG/K01                 | 4                        | 8      | 10     | 7.5              | 20           | F211KG393(1)100(2)    | SMR7.5393(3)100K01(2) |
| 100 | 63  | 0.047                  | KG/K01                 | 4                        | 8      | 10     | 7.5              | 20           | F211KG473(1)100(2)    | SMR7.5473(3)100K01(2) |
| 100 | 63  | 0.056                  | KG/K01                 | 4                        | 8      | 10     | 7.5              | 15           | F211KG563(1)100(2)    | SMR7.5563(3)100K01(2) |
| 100 | 63  | 0.068                  | KG/K01                 | 4                        | 8      | 10     | 7.5              | 15           | F211KG683(1)100(2)    | SMR7.5683(3)100K01(2) |
| 100 | 63  | 0.082                  | KG/K01                 | 4                        | 8      | 10     | 7.5              | 15           | F211KG823(1)100(2)    | SMR7.5823(3)100K01(2) |
| 100 | 63  | 0.1                    | KG/K01                 | 4                        | 8      | 10     | 7.5              | 15           | F211KG104(1)100(2)    | SMR7.5104(3)100K01(2) |
| 100 | 63  | 0.12                   | KG/K01                 | 4                        | 8      | 10     | 7.5              | 15           | F211KG124(1)100(2)    | SMR7.5124(3)100K01(2) |
| 100 | 63  | 0.15                   | KK/K03                 | 5                        | 11     | 10     | 7.5              | 15           | F211KK154(1)100(2)    | SMR7.5154(3)100K03(2) |
| 100 | 63  | 0.18                   | KK/K03                 | 5                        | 11     | 10     | 7.5              | 15           | F211KK184(1)100(2)    | SMR7.5184(3)100K03(2) |
| 100 | 63  | 0.22                   | KK/K03                 | 5                        | 11     | 10     | 7.5              | 15           | F211KK224(1)100(2)    | SMR7.5224(3)100K03(2) |
| 100 | 63  | 0.27                   | KK/K03                 | 5                        | 11     | 10     | 7.5              | 15           | F211KK274(1)100(2)    | SMR7.5274(3)100K03(2) |
| 100 | 63  | 0.33                   | KM/K04                 | 6                        | 12     | 10.5   | 7.5              | 15           | F211KM334(1)100(2)    | SMR7.5334(3)100K04(2) |
| 100 | 63  | 0.39                   | KM/K04                 | 6                        | 12     | 10.5   | 7.5              | 15           | F211KM394(1)100(2)    | SMR7.5394(3)100K04(2) |
| 100 | 63  | 0.47                   | KM/K04                 | 6                        | 12     | 10.5   | 7.5              | 15           | F211KM474(1)100(2)    | SMR7.5474(3)100K04(2) |
| 100 | 63  | 0.0027                 | AG/A01                 | 4                        | 9      | 13     | 10               | 25           | F211AG272(1)100(2)    | SMR10272(3)100A01(2)  |
| 100 | 63  | 0.0033                 | AG/A01                 | 4                        | 9      | 13     | 10               | 25           | F211AG332(1)100(2)    | SMR10332(3)100A01(2)  |
| 100 | 63  | 0.0039                 | AG/A01                 | 4                        | 9      | 13     | 10               | 25           | F211AG392(1)100(2)    | SMR10392(3)100A01(2)  |
| 100 | 63  | 0.0047                 | AG/A01                 | 4                        | 9      | 13     | 10               | 25           | F211AG472(1)100(2)    | SMR10472(3)100A01(2)  |
| 100 | 63  | 0.0056                 | AG/A01                 | 4                        | 9      | 13     | 10               | 25           | F211AG562(1)100(2)    | SMR10562(3)100A01(2)  |
| 100 | 63  | 0.0068                 | AG/A01                 | 4                        | 9      | 13     | 10               | 25           | F211AG682(1)100(2)    | SMR10682(3)100A01(2)  |
| 100 | 63  | 0.0082                 | AG/A01                 | 4                        | 9      | 13     | 10               | 25           | F211AG822(1)100(2)    | SMR10822(3)100A01(2)  |
| 100 | 63  | 0.01                   | AG/A01                 | 4                        | 9      | 13     | 10               | 25           | F211AG103(1)100(2)    | SMR10103(3)100A01(2)  |
| 100 | 63  | 0.012                  | AG/A01                 | 4                        | 9      | 13     | 10               | 25           | F211AG123(1)100(2)    | SMR10123(3)100A01(2)  |
| 100 | 63  | 0.015                  | AG/A01                 | 4                        | 9      | 13     | 10               | 25           | F211AG153(1)100(2)    | SMR10153(3)100A01(2)  |
| 100 | 63  | 0.018                  | AG/A01                 | 4                        | 9      | 13     | 10               | 25           | F211AG183(1)100(2)    | SMR10183(3)100A01(2)  |
| 100 | 63  | 0.022                  | AG/A01                 | 4                        | 9      | 13     | 10               | 25           | F211AG223(1)100(2)    | SMR10223(3)100A01(2)  |
| 100 | 63  | 0.027                  | AG/A01                 | 4                        | 9      | 13     | 10               | 25           | F211AG273(1)100(2)    | SMR10273(3)100A01(2)  |
| 100 | 63  | 0.033                  | AG/A01                 | 4                        | 9      | 13     | 10               | 25           | F211AG333(1)100(2)    | SMR10333(3)100A01(2)  |
| 100 | 63  | 0.039                  | AG/A01                 | 4                        | 9      | 13     | 10               | 15           | F211AG393(1)100(2)    | SMR10393(3)100A01(2)  |
| 100 | 63  | 0.047                  | AG/A01                 | 4                        | 9      | 13     | 10               | 15           | F211AG473(1)100(2)    | SMR10473(3)100A01(2)  |
| 100 | 63  | 0.056                  | AG/A01                 | 4                        | 9      | 13     | 10               | 15           | F211AG563(1)100(2)    | SMR10563(3)100A01(2)  |
| 100 | 63  | 0.068                  | AG/A01                 | 4                        | 9      | 13     | 10               | 15           | F211AG683(1)100(2)    | SMR10683(3)100A01(2)  |
| 100 | 63  | 0.082                  | AG/A01                 | 4                        | 9      | 13     | 10               | 10           | F211AG823(1)100(2)    | SMR10823(3)100A01(2)  |
| 100 | 63  | 0.1                    | AG/A01                 | 4                        | 9      | 13     | 10               | 10           | F211AG104(1)100(2)    | SMR10104(3)100A01(2)  |
| 100 | 63  | 0.12                   | AG/A01                 | 4                        | 9      | 13     | 10               | 10           | F211AG124(1)100(2)    | SMR10124(3)100A01(2)  |
| 100 | 63  | 0.15                   | AG/A01                 | 4                        | 9      | 13     | 10               | 10           | F211AG154(1)100(2)    | SMR10154(3)100A01(2)  |
| 100 | 63  | 0.18                   | AG/A01                 | 4                        | 9      | 13     | 10               | 10           | F211AG184(1)100(2)    | SMR10184(3)100A01(2)  |
| 100 | 63  | 0.22                   | AG/A01                 | 4                        | 9      | 13     | 10               | 10           | F211AG224(1)100(2)    | SMR10224(3)100A01(2)  |
| VDC | VAC | Capacitance Value (µF) | Size Code (New/Legacy) | B (mm)                   | H (mm) | L (mm) | Lead Spacing (p) | dV/dt (V/µs) | New KEMET Part Number | Legacy Part Number    |

(1) R = ±2.5%, J = ±5%, K = ±10%, M = ±20%

(2) Insert lead and packaging code. See Ordering Options Table for available options.

(3) H = ±2.5%, J = ±5%, K = ±10%, M = ±20%

**Table 1 – Ratings & Part Number Reference cont.**

| VDC | VAC | Capacitance Value (µF) | Size Code (New/Legacy) | Maximum Dimensions in mm |        |        | Lead Spacing (p) | dV/dt (V/µs) | New KEMET Part Number | Legacy Part Number     |
|-----|-----|------------------------|------------------------|--------------------------|--------|--------|------------------|--------------|-----------------------|------------------------|
|     |     |                        |                        | B                        | H      | L      |                  |              |                       |                        |
| 100 | 63  | 0.27                   | AH/A02                 | 4.5                      | 10.5   | 13     | 10               | 10           | F211AH274(1)100(2)    | SMR10274(3)100A02(2)   |
| 100 | 63  | 0.33                   | AK/A03                 | 5                        | 11     | 13     | 10               | 10           | F211AK334(1)100(2)    | SMR10334(3)100A03(2)   |
| 100 | 63  | 0.39                   | AK/A03                 | 5                        | 11     | 13     | 10               | 10           | F211AK394(1)100(2)    | SMR10394(3)100A03(2)   |
| 100 | 63  | 0.47                   | AP/A04                 | 6                        | 12     | 13     | 10               | 10           | F211AP474(1)100(2)    | SMR10474(3)100A04(2)   |
| 100 | 63  | 0.56                   | AP/A04                 | 6                        | 12     | 13     | 10               | 10           | F211AP564(1)100(2)    | SMR10564(3)100A04(2)   |
| 100 | 63  | 0.27                   | BD/B04                 | 5.5                      | 10.5   | 18     | 15               | 8            | F211BD274(1)100(2)    | SMR15274(3)100B04(2)   |
| 100 | 63  | 0.33                   | BD/B04                 | 5.5                      | 10.5   | 18     | 15               | 8            | F211BD334(1)100(2)    | SMR15334(3)100B04(2)   |
| 100 | 63  | 0.39                   | BD/B04                 | 5.5                      | 10.5   | 18     | 15               | 8            | F211BD394(1)100(2)    | SMR15394(3)100B04(2)   |
| 100 | 63  | 0.47                   | BD/B04                 | 5.5                      | 10.5   | 18     | 15               | 8            | F211BD474(1)100(2)    | SMR15474(3)100B04(2)   |
| 100 | 63  | 0.56                   | BE/B05                 | 5.5                      | 12.5   | 18     | 15               | 8            | F211BE564(1)100(2)    | SMR15564(3)100B05(2)   |
| 100 | 63  | 0.68                   | BJ/B10                 | 6.5                      | 12.5   | 18     | 15               | 8            | F211BJ684(1)100(2)    | SMR15684(3)100B10(2)   |
| 100 | 63  | 0.82                   | BL/B06                 | 7.5                      | 14.5   | 18     | 15               | 8            | F211BL824(1)100(2)    | SMR15824(3)100B06(2)   |
| 100 | 63  | 1                      | BL/B06                 | 7.5                      | 14.5   | 18     | 15               | 8            | F211BL105(1)100(2)    | SMR15105(3)100B06(2)   |
| 100 | 63  | 1.2                    | BM/B12                 | 8                        | 15     | 18     | 15               | 8            | F211BM125(1)100(2)    | SMR15125(3)100B12(2)   |
| 100 | 63  | 1.5                    | BQ/B11                 | 8.5                      | 16     | 18     | 15               | 8            | F211BQ155(1)100(2)    | SMR15155(3)100B11(2)   |
| 100 | 63  | 1.8                    | BV/B14                 | 9.5                      | 17.5   | 18     | 15               | 8            | F211BV185(1)100(2)    | SMR15185(3)100B14(2)   |
| 100 | 63  | 1.5                    | DD/D13                 | 6.5                      | 14.5   | 26     | 22.5             | 4            | F211DD155(1)100(2)    | SMR22.5155(3)100D13(2) |
| 100 | 63  | 1.8                    | DF/D17                 | 7                        | 16.5   | 26     | 22.5             | 4            | F211DF185(1)100(2)    | SMR22.5185(3)100D17(2) |
| 100 | 63  | 2.2                    | DH/D14                 | 8                        | 16     | 26     | 22.5             | 4            | F211DH225(1)100(2)    | SMR22.5225(3)100D14(2) |
| 100 | 63  | 2.7                    | DM/D15                 | 9                        | 18.5   | 26     | 22.5             | 4            | F211DM275(1)100(2)    | SMR22.5275(3)100D15(2) |
| 100 | 63  | 3.3                    | DR/D18                 | 10.5                     | 19     | 26     | 22.5             | 4            | F211DR335(1)100(2)    | SMR22.5335(3)100D18(2) |
| 100 | 63  | 3.9                    | DR/D18                 | 10.5                     | 19     | 26     | 22.5             | 4            | F211DR395(1)100(2)    | SMR22.5395(3)100D18(2) |
| 100 | 63  | 4.7                    | DT/D16                 | 11                       | 21.5   | 26     | 22.5             | 4            | F211DT475(1)100(2)    | SMR22.5475(3)100D16(2) |
| 100 | 63  | 5.6                    | FG/F12                 | 11.5                     | 22.5   | 31.5   | 27.5             | 3            | F211FG565(1)100(2)    | SMR27.5565(3)100F12(2) |
| 100 | 63  | 6.8                    | FM/F13                 | 14.5                     | 24.5   | 31.5   | 27.5             | 3            | F211FM685(1)100(2)    | SMR27.5685(3)100F13(2) |
| 100 | 63  | 8.2                    | FM/F13                 | 14.5                     | 24.5   | 31.5   | 27.5             | 3            | F211FM825(1)100(2)    | SMR27.5825(3)100F13(2) |
| 100 | 63  | 10                     | FR/F14                 | 17.5                     | 28     | 31.5   | 27.5             | 3            | F211FR106(1)100(2)    | SMR27.5106(3)100F14(2) |
| 100 | 63  | 12                     | FR/F14                 | 17.5                     | 28     | 31.5   | 27.5             | 3            | F211FR126(1)100(2)    | SMR27.5126(3)100F14(2) |
| 250 | 160 | 0.001                  | JF/J01                 | 2.5                      | 6.5    | 7.2    | 5                | 40           | F211JF102(1)250(2)    | SMR5102(3)250J01(2)    |
| 250 | 160 | 0.0012                 | JF/J01                 | 2.5                      | 6.5    | 7.2    | 5                | 40           | F211JF122(1)250(2)    | SMR5122(3)250J01(2)    |
| 250 | 160 | 0.0015                 | JF/J01                 | 2.5                      | 6.5    | 7.2    | 5                | 40           | F211JF152(1)250(2)    | SMR5152(3)250J01(2)    |
| 250 | 160 | 0.0018                 | JF/J01                 | 2.5                      | 6.5    | 7.2    | 5                | 40           | F211JF182(1)250(2)    | SMR5182(3)250J01(2)    |
| 250 | 160 | 0.0022                 | JF/J01                 | 2.5                      | 6.5    | 7.2    | 5                | 40           | F211JF222(1)250(2)    | SMR5222(3)250J01(2)    |
| 250 | 160 | 0.0027                 | JF/J01                 | 2.5                      | 6.5    | 7.2    | 5                | 40           | F211JF272(1)250(2)    | SMR5272(3)250J01(2)    |
| 250 | 160 | 0.0033                 | JF/J01                 | 2.5                      | 6.5    | 7.2    | 5                | 40           | F211JF332(1)250(2)    | SMR5332(3)250J01(2)    |
| 250 | 160 | 0.0039                 | JF/J01                 | 2.5                      | 6.5    | 7.2    | 5                | 40           | F211JF392(1)250(2)    | SMR5392(3)250J01(2)    |
| 250 | 160 | 0.0047                 | JF/J01                 | 2.5                      | 6.5    | 7.2    | 5                | 20           | F211JF472(1)250(2)    | SMR5472(3)250J01(2)    |
| 250 | 160 | 0.0056                 | JF/J01                 | 2.5                      | 6.5    | 7.2    | 5                | 20           | F211JF562(1)250(2)    | SMR5562(3)250J01(2)    |
| 250 | 160 | 0.0068                 | JF/J01                 | 2.5                      | 6.5    | 7.2    | 5                | 20           | F211JF682(1)250(2)    | SMR5682(3)250J01(2)    |
| 250 | 160 | 0.0082                 | JF/J01                 | 2.5                      | 6.5    | 7.2    | 5                | 20           | F211JF822(1)250(2)    | SMR5822(3)250J01(2)    |
| 250 | 160 | 0.01                   | JF/J01                 | 2.5                      | 6.5    | 7.2    | 5                | 20           | F211JF103(1)250(2)    | SMR5103(3)250J01(2)    |
| 250 | 160 | 0.012                  | JF/J01                 | 2.5                      | 6.5    | 7.2    | 5                | 20           | F211JF123(1)250(2)    | SMR5123(3)250J01(2)    |
| 250 | 160 | 0.015                  | JJ/J02                 | 3.5                      | 8      | 7.2    | 5                | 20           | F211JJ153(1)250(2)    | SMR5153(3)250J02(2)    |
| 250 | 160 | 0.018                  | JJ/J02                 | 3.5                      | 8      | 7.2    | 5                | 20           | F211JJ183(1)250(2)    | SMR5183(3)250J02(2)    |
| 250 | 160 | 0.022                  | JJ/J02                 | 3.5                      | 8      | 7.2    | 5                | 20           | F211JJ223(1)250(2)    | SMR5223(3)250J02(2)    |
| 250 | 160 | 0.027                  | JJ/J02                 | 3.5                      | 8      | 7.2    | 5                | 20           | F211JJ273(1)250(2)    | SMR5273(3)250J02(2)    |
| 250 | 160 | 0.033                  | JL/J03                 | 4.5                      | 9      | 7.2    | 5                | 20           | F211JL333(1)250(2)    | SMR5333(3)250J03(2)    |
| 250 | 160 | 0.039                  | JL/J03                 | 4.5                      | 9      | 7.2    | 5                | 20           | F211JL393(1)250(2)    | SMR5393(3)250J03(2)    |
| 250 | 160 | 0.047                  | JL/J03                 | 4.5                      | 9      | 7.2    | 5                | 20           | F211JL473(1)250(2)    | SMR5473(3)250J03(2)    |
| 250 | 160 | 0.056                  | JQ/J04                 | 5                        | 10     | 7.2    | 5                | 20           | F211JQ563(1)250(2)    | SMR5563(3)250J04(2)    |
| 250 | 160 | 0.068                  | JT/J05                 | 6                        | 11     | 7.2    | 5                | 20           | F211JT683(1)250(2)    | SMR5683(3)250J05(2)    |
| 250 | 160 | 0.082                  | JT/J05                 | 6                        | 11     | 7.2    | 5                | 20           | F211JT823(1)250(2)    | SMR5823(3)250J05(2)    |
| 250 | 160 | 0.1                    | JU/J06                 | 7.2                      | 13     | 7.2    | 5                | 20           | F211JU104(1)250(2)    | SMR5104(3)250J06(2)    |
| 250 | 160 | 0.12                   | JU/J06                 | 7.2                      | 13     | 7.2    | 5                | 20           | F211JU124(1)250(2)    | SMR5124(3)250J06(2)    |
| 250 | 160 | 0.001                  | KG/K01                 | 4                        | 8      | 10     | 7.5              | 30           | F211KG102(1)250(2)    | SMR7.5102(3)250K01(2)  |
| 250 | 160 | 0.0012                 | KG/K01                 | 4                        | 8      | 10     | 7.5              | 30           | F211KG122(1)250(2)    | SMR7.5122(3)250K01(2)  |
| VDC | VAC | Capacitance Value (µF) | Size Code (New/Legacy) | B (mm)                   | H (mm) | L (mm) | Lead Spacing (p) | dV/dt (V/µs) | New KEMET Part Number | Legacy Part Number     |

(1) R = ±2.5%, J = ±5%, K = ±10%, M = ±20%

(2) Insert lead and packaging code. See Ordering Options Table for available options.

(3) H = ±2.5%, J = ±5%, K = ±10%, M = ±20%

**Table 1 – Ratings & Part Number Reference cont.**

| VDC | VAC | Capacitance Value (µF) | Size Code (New/Legacy) | Maximum Dimensions in mm |        |        | Lead Spacing (p) | dV/dt (V/µs) | New KEMET Part Number | Legacy Part Number    |
|-----|-----|------------------------|------------------------|--------------------------|--------|--------|------------------|--------------|-----------------------|-----------------------|
|     |     |                        |                        | B                        | H      | L      |                  |              |                       |                       |
| 250 | 160 | 0.0015                 | KG/K01                 | 4                        | 8      | 10     | 7.5              | 30           | F211KG152(1)250(2)    | SMR7.5152(3)250K01(2) |
| 250 | 160 | 0.0018                 | KG/K01                 | 4                        | 8      | 10     | 7.5              | 30           | F211KG182(1)250(2)    | SMR7.5182(3)250K01(2) |
| 250 | 160 | 0.0022                 | KG/K01                 | 4                        | 8      | 10     | 7.5              | 30           | F211KG222(1)250(2)    | SMR7.5222(3)250K01(2) |
| 250 | 160 | 0.0027                 | KG/K01                 | 4                        | 8      | 10     | 7.5              | 30           | F211KG272(1)250(2)    | SMR7.5272(3)250K01(2) |
| 250 | 160 | 0.0033                 | KG/K01                 | 4                        | 8      | 10     | 7.5              | 30           | F211KG332(1)250(2)    | SMR7.5332(3)250K01(2) |
| 250 | 160 | 0.0039                 | KG/K01                 | 4                        | 8      | 10     | 7.5              | 30           | F211KG392(1)250(2)    | SMR7.5392(3)250K01(2) |
| 250 | 160 | 0.0047                 | KG/K01                 | 4                        | 8      | 10     | 7.5              | 30           | F211KG472(1)250(2)    | SMR7.5472(3)250K01(2) |
| 250 | 160 | 0.0056                 | KG/K01                 | 4                        | 8      | 10     | 7.5              | 30           | F211KG562(1)250(2)    | SMR7.5562(3)250K01(2) |
| 250 | 160 | 0.0068                 | KG/K01                 | 4                        | 8      | 10     | 7.5              | 30           | F211KG682(1)250(2)    | SMR7.5682(3)250K01(2) |
| 250 | 160 | 0.0082                 | KG/K01                 | 4                        | 8      | 10     | 7.5              | 30           | F211KG822(1)250(2)    | SMR7.5822(3)250K01(2) |
| 250 | 160 | 0.01                   | KG/K01                 | 4                        | 8      | 10     | 7.5              | 30           | F211KG103(1)250(2)    | SMR7.5103(3)250K01(2) |
| 250 | 160 | 0.012                  | KG/K01                 | 4                        | 8      | 10     | 7.5              | 30           | F211KG123(1)250(2)    | SMR7.5123(3)250K01(2) |
| 250 | 160 | 0.015                  | KG/K01                 | 4                        | 8      | 10     | 7.5              | 30           | F211KG153(1)250(2)    | SMR7.5153(3)250K01(2) |
| 250 | 160 | 0.018                  | KG/K01                 | 4                        | 8      | 10     | 7.5              | 30           | F211KG183(1)250(2)    | SMR7.5183(3)250K01(2) |
| 250 | 160 | 0.022                  | KG/K01                 | 4                        | 8      | 10     | 7.5              | 30           | F211KG223(1)250(2)    | SMR7.5223(3)250K01(2) |
| 250 | 160 | 0.027                  | KG/K01                 | 4                        | 8      | 10     | 7.5              | 20           | F211KG273(1)250(2)    | SMR7.5273(3)250K01(2) |
| 250 | 160 | 0.033                  | KG/K01                 | 4                        | 8      | 10     | 7.5              | 20           | F211KG333(1)250(2)    | SMR7.5333(3)250K01(2) |
| 250 | 160 | 0.039                  | KG/K01                 | 4                        | 8      | 10     | 7.5              | 20           | F211KG393(1)250(2)    | SMR7.5393(3)250K01(2) |
| 250 | 160 | 0.047                  | KG/K01                 | 4                        | 8      | 10     | 7.5              | 20           | F211KG473(1)250(2)    | SMR7.5473(3)250K01(2) |
| 250 | 160 | 0.056                  | KK/K03                 | 5                        | 11     | 10     | 7.5              | 20           | F211KK563(1)250(2)    | SMR7.5563(3)250K03(2) |
| 250 | 160 | 0.068                  | KK/K03                 | 5                        | 11     | 10     | 7.5              | 20           | F211KK683(1)250(2)    | SMR7.5683(3)250K03(2) |
| 250 | 160 | 0.082                  | KK/K03                 | 5                        | 11     | 10     | 7.5              | 20           | F211KK823(1)250(2)    | SMR7.5823(3)250K03(2) |
| 250 | 160 | 0.1                    | KK/K03                 | 5                        | 11     | 10     | 7.5              | 20           | F211KK104(1)250(2)    | SMR7.5104(3)250K03(2) |
| 250 | 160 | 0.12                   | KM/K04                 | 6                        | 12     | 10.5   | 7.5              | 20           | F211KM124(1)250(2)    | SMR7.5124(3)250K04(2) |
| 250 | 160 | 0.15                   | KM/K04                 | 6                        | 12     | 10.5   | 7.5              | 20           | F211KM154(1)250(2)    | SMR7.5154(3)250K04(2) |
| 250 | 160 | 0.0027                 | AG/A01                 | 4                        | 9      | 13     | 10               | 25           | F211AG272(1)250(2)    | SMR10272(3)250A01(2)  |
| 250 | 160 | 0.0033                 | AG/A01                 | 4                        | 9      | 13     | 10               | 25           | F211AG332(1)250(2)    | SMR10332(3)250A01(2)  |
| 250 | 160 | 0.0039                 | AG/A01                 | 4                        | 9      | 13     | 10               | 25           | F211AG392(1)250(2)    | SMR10392(3)250A01(2)  |
| 250 | 160 | 0.0047                 | AG/A01                 | 4                        | 9      | 13     | 10               | 25           | F211AG472(1)250(2)    | SMR10472(3)250A01(2)  |
| 250 | 160 | 0.0056                 | AG/A01                 | 4                        | 9      | 13     | 10               | 25           | F211AG562(1)250(2)    | SMR10562(3)250A01(2)  |
| 250 | 160 | 0.0068                 | AG/A01                 | 4                        | 9      | 13     | 10               | 25           | F211AG682(1)250(2)    | SMR10682(3)250A01(2)  |
| 250 | 160 | 0.0082                 | AG/A01                 | 4                        | 9      | 13     | 10               | 25           | F211AG822(1)250(2)    | SMR10822(3)250A01(2)  |
| 250 | 160 | 0.01                   | AG/A01                 | 4                        | 9      | 13     | 10               | 15           | F211AG103(1)250(2)    | SMR10103(3)250A01(2)  |
| 250 | 160 | 0.012                  | AG/A01                 | 4                        | 9      | 13     | 10               | 15           | F211AG123(1)250(2)    | SMR10123(3)250A01(2)  |
| 250 | 160 | 0.015                  | AG/A01                 | 4                        | 9      | 13     | 10               | 15           | F211AG153(1)250(2)    | SMR10153(3)250A01(2)  |
| 250 | 160 | 0.018                  | AG/A01                 | 4                        | 9      | 13     | 10               | 15           | F211AG183(1)250(2)    | SMR10183(3)250A01(2)  |
| 250 | 160 | 0.022                  | AG/A01                 | 4                        | 9      | 13     | 10               | 15           | F211AG223(1)250(2)    | SMR10223(3)250A01(2)  |
| 250 | 160 | 0.027                  | AG/A01                 | 4                        | 9      | 13     | 10               | 15           | F211AG273(1)250(2)    | SMR10273(3)250A01(2)  |
| 250 | 160 | 0.033                  | AG/A01                 | 4                        | 9      | 13     | 10               | 15           | F211AG333(1)250(2)    | SMR10333(3)250A01(2)  |
| 250 | 160 | 0.039                  | AG/A01                 | 4                        | 9      | 13     | 10               | 15           | F211AG393(1)250(2)    | SMR10393(3)250A01(2)  |
| 250 | 160 | 0.047                  | AG/A01                 | 4                        | 9      | 13     | 10               | 15           | F211AG473(1)250(2)    | SMR10473(3)250A01(2)  |
| 250 | 160 | 0.056                  | AG/A01                 | 4                        | 9      | 13     | 10               | 15           | F211AG563(1)250(2)    | SMR10563(3)250A01(2)  |
| 250 | 160 | 0.068                  | AG/A01                 | 4                        | 9      | 13     | 10               | 15           | F211AG683(1)250(2)    | SMR10683(3)250A01(2)  |
| 250 | 160 | 0.082                  | AH/A02                 | 4.5                      | 10.5   | 13     | 10               | 15           | F211AH823(1)250(2)    | SMR10823(3)250A02(2)  |
| 250 | 160 | 0.1                    | AH/A02                 | 4.5                      | 10.5   | 13     | 10               | 15           | F211AH104(1)250(2)    | SMR10104(3)250A02(2)  |
| 250 | 160 | 0.12                   | AK/A03                 | 5                        | 11     | 13     | 10               | 15           | F211AK124(1)250(2)    | SMR10124(3)250A03(2)  |
| 250 | 160 | 0.15                   | AP/A04                 | 6                        | 12     | 13     | 10               | 15           | F211AP154(1)250(2)    | SMR10154(3)250A04(2)  |
| 250 | 160 | 0.18                   | AP/A04                 | 6                        | 12     | 13     | 10               | 15           | F211AP184(1)250(2)    | SMR10184(3)250A04(2)  |
| 250 | 160 | 0.1                    | BD/B04                 | 5.5                      | 10.5   | 18     | 15               | 10           | F211BD104(1)250(2)    | SMR15104(3)250B04(2)  |
| 250 | 160 | 0.12                   | BD/B04                 | 5.5                      | 10.5   | 18     | 15               | 10           | F211BD124(1)250(2)    | SMR15124(3)250B04(2)  |
| 250 | 160 | 0.15                   | BD/B04                 | 5.5                      | 10.5   | 18     | 15               | 10           | F211BD154(1)250(2)    | SMR15154(3)250B04(2)  |
| 250 | 160 | 0.18                   | BE/B05                 | 5.5                      | 12.5   | 18     | 15               | 10           | F211BE184(1)250(2)    | SMR15184(3)250B05(2)  |
| 250 | 160 | 0.22                   | BJ/B10                 | 6.5                      | 12.5   | 18     | 15               | 10           | F211BJ224(1)250(2)    | SMR15224(3)250B10(2)  |
| 250 | 160 | 0.27                   | BL/B06                 | 7.5                      | 14.5   | 18     | 15               | 10           | F211BL274(1)250(2)    | SMR15274(3)250B06(2)  |
| 250 | 160 | 0.33                   | BL/B06                 | 7.5                      | 14.5   | 18     | 15               | 10           | F211BL334(1)250(2)    | SMR15334(3)250B06(2)  |
| 250 | 160 | 0.39                   | BM/B12                 | 8                        | 15     | 18     | 15               | 10           | F211BM394(1)250(2)    | SMR15394(3)250B12(2)  |
| VDC | VAC | Capacitance Value (µF) | Size Code (New/Legacy) | B (mm)                   | H (mm) | L (mm) | Lead Spacing (p) | dV/dt (V/µs) | New KEMET Part Number | Legacy Part Number    |

(1) R = ±2.5%, J = ±5%, K = ±10%, M = ±20%  
 (2) Insert lead and packaging code. See Ordering Options Table for available options.  
 (3) H = ±2.5%, J = ±5%, K = ±10%, M = ±20%



**Table 1 – Ratings & Part Number Reference cont.**

| VDC | VAC | Capacitance Value (µF) | Size Code (New/Legacy) | Maximum Dimensions in mm |        |        | Lead Spacing (p) | dV/dt (V/µs) | New KEMET Part Number | Legacy Part Number     |
|-----|-----|------------------------|------------------------|--------------------------|--------|--------|------------------|--------------|-----------------------|------------------------|
|     |     |                        |                        | B                        | H      | L      |                  |              |                       |                        |
| 250 | 160 | 0.47                   | BQ/B11                 | 8.5                      | 16     | 18     | 15               | 10           | F211BQ474(1)250(2)    | SMR15474(3)250B11(2)   |
| 250 | 160 | 0.56                   | BV/B14                 | 9.5                      | 17.5   | 18     | 15               | 10           | F211BV564(1)250(2)    | SMR15564(3)250B14(2)   |
| 250 | 160 | 0.47                   | DD/D13                 | 6.5                      | 14.5   | 26     | 22.5             | 8            | F211DD474(1)250(2)    | SMR22.5474(3)250D13(2) |
| 250 | 160 | 0.56                   | DF/D17                 | 7                        | 16.5   | 26     | 22.5             | 8            | F211DF564(1)250(2)    | SMR22.5564(3)250D17(2) |
| 250 | 160 | 0.68                   | DF/D17                 | 7                        | 16.5   | 26     | 22.5             | 8            | F211DF684(1)250(2)    | SMR22.5684(3)250D17(2) |
| 250 | 160 | 0.82                   | DM/D15                 | 9                        | 18.5   | 26     | 22.5             | 8            | F211DM824(1)250(2)    | SMR22.5824(3)250D15(2) |
| 250 | 160 | 1                      | DM/D15                 | 9                        | 18.5   | 26     | 22.5             | 8            | F211DM105(1)250(2)    | SMR22.5105(3)250D15(2) |
| 250 | 160 | 1.2                    | DR/D18                 | 10.5                     | 19     | 26     | 22.5             | 8            | F211DR125(1)250(2)    | SMR22.5125(3)250D18(2) |
| 250 | 160 | 1.5                    | DT/D16                 | 11                       | 21.5   | 26     | 22.5             | 8            | F211DT155(1)250(2)    | SMR22.5155(3)250D16(2) |
| 250 | 160 | 1.5                    | FE/F11                 | 10.5                     | 20.5   | 31.5   | 27.5             | 6            | F211FE155(1)250(2)    | SMR27.5155(3)250F11(2) |
| 250 | 160 | 1.8                    | FE/F11                 | 10.5                     | 20.5   | 31.5   | 27.5             | 6            | F211FE185(1)250(2)    | SMR27.5185(3)250F11(2) |
| 250 | 160 | 2.2                    | FG/F12                 | 11.5                     | 22.5   | 31.5   | 27.5             | 6            | F211FG225(1)250(2)    | SMR27.5225(3)250F12(2) |
| 250 | 160 | 2.7                    | FM/F13                 | 14.5                     | 24.5   | 31.5   | 27.5             | 6            | F211FM275(1)250(2)    | SMR27.5275(3)250F13(2) |
| 250 | 160 | 3.3                    | FR/F14                 | 17.5                     | 28     | 31.5   | 27.5             | 6            | F211FR335(1)250(2)    | SMR27.5335(3)250F14(2) |
| 250 | 160 | 3.9                    | FR/F14                 | 17.5                     | 28     | 31.5   | 27.5             | 6            | F211FR395(1)250(2)    | SMR27.5395(3)250F14(2) |
| 400 | 200 | 0.001                  | JF/J01                 | 2.5                      | 6.5    | 7.2    | 5                | 40           | F211JF102(1)400(2)    | SMR5102(3)400J01(2)    |
| 400 | 200 | 0.0012                 | JF/J01                 | 2.5                      | 6.5    | 7.2    | 5                | 40           | F211JF122(1)400(2)    | SMR5122(3)400J01(2)    |
| 400 | 200 | 0.0015                 | JF/J01                 | 2.5                      | 6.5    | 7.2    | 5                | 40           | F211JF152(1)400(2)    | SMR5152(3)400J01(2)    |
| 400 | 200 | 0.0018                 | JF/J01                 | 2.5                      | 6.5    | 7.2    | 5                | 40           | F211JF182(1)400(2)    | SMR5182(3)400J01(2)    |
| 400 | 200 | 0.0022                 | JF/J01                 | 2.5                      | 6.5    | 7.2    | 5                | 40           | F211JF222(1)400(2)    | SMR5222(3)400J01(2)    |
| 400 | 200 | 0.0027                 | JF/J01                 | 2.5                      | 6.5    | 7.2    | 5                | 40           | F211JF272(1)400(2)    | SMR5272(3)400J01(2)    |
| 400 | 200 | 0.0033                 | JF/J01                 | 2.5                      | 6.5    | 7.2    | 5                | 40           | F211JF332(1)400(2)    | SMR5332(3)400J01(2)    |
| 400 | 200 | 0.0039                 | JF/J01                 | 2.5                      | 6.5    | 7.2    | 5                | 40           | F211JF392(1)400(2)    | SMR5392(3)400J01(2)    |
| 400 | 200 | 0.0047                 | JJ/J02                 | 3.5                      | 8      | 7.2    | 5                | 40           | F211JJ472(1)400(2)    | SMR5472(3)400J02(2)    |
| 400 | 200 | 0.0056                 | JJ/J02                 | 3.5                      | 8      | 7.2    | 5                | 40           | F211JJ562(1)400(2)    | SMR5562(3)400J02(2)    |
| 400 | 200 | 0.0068                 | JJ/J02                 | 3.5                      | 8      | 7.2    | 5                | 40           | F211JJ682(1)400(2)    | SMR5682(3)400J02(2)    |
| 400 | 200 | 0.0082                 | JJ/J02                 | 3.5                      | 8      | 7.2    | 5                | 40           | F211JJ822(1)400(2)    | SMR5822(3)400J02(2)    |
| 400 | 200 | 0.01                   | JJ/J02                 | 3.5                      | 8      | 7.2    | 5                | 40           | F211JJ103(1)400(2)    | SMR5103(3)400J02(2)    |
| 400 | 200 | 0.012                  | JJ/J02                 | 3.5                      | 8      | 7.2    | 5                | 40           | F211JJ123(1)400(2)    | SMR5123(3)400J02(2)    |
| 400 | 200 | 0.015                  | JL/J03                 | 4.5                      | 9      | 7.2    | 5                | 40           | F211JL153(1)400(2)    | SMR5153(3)400J03(2)    |
| 400 | 200 | 0.018                  | JL/J03                 | 4.5                      | 9      | 7.2    | 5                | 40           | F211JL183(1)400(2)    | SMR5183(3)400J03(2)    |
| 400 | 200 | 0.022                  | JQ/J04                 | 5                        | 10     | 7.2    | 5                | 40           | F211JQ223(1)400(2)    | SMR5223(3)400J04(2)    |
| 400 | 200 | 0.027                  | JQ/J04                 | 5                        | 10     | 7.2    | 5                | 40           | F211JQ273(1)400(2)    | SMR5273(3)400J04(2)    |
| 400 | 200 | 0.033                  | JT/J05                 | 6                        | 11     | 7.2    | 5                | 40           | F211JT333(1)400(2)    | SMR5333(3)400J05(2)    |
| 400 | 200 | 0.039                  | JT/J05                 | 6                        | 11     | 7.2    | 5                | 40           | F211JT393(1)400(2)    | SMR5393(3)400J05(2)    |
| 400 | 200 | 0.047                  | JU/J06                 | 7.2                      | 13     | 7.2    | 5                | 40           | F211JU473(1)400(2)    | SMR5473(3)400J06(2)    |
| 400 | 200 | 0.056                  | JU/J06                 | 7.2                      | 13     | 7.2    | 5                | 40           | F211JU563(1)400(2)    | SMR5563(3)400J06(2)    |
| 400 | 200 | 0.001                  | KG/K01                 | 4                        | 8      | 10     | 7.5              | 30           | F211KG102(1)400(2)    | SMR7.5102(3)400K01(2)  |
| 400 | 200 | 0.0012                 | KG/K01                 | 4                        | 8      | 10     | 7.5              | 30           | F211KG122(1)400(2)    | SMR7.5122(3)400K01(2)  |
| 400 | 200 | 0.0015                 | KG/K01                 | 4                        | 8      | 10     | 7.5              | 30           | F211KG152(1)400(2)    | SMR7.5152(3)400K01(2)  |
| 400 | 200 | 0.0018                 | KG/K01                 | 4                        | 8      | 10     | 7.5              | 30           | F211KG182(1)400(2)    | SMR7.5182(3)400K01(2)  |
| 400 | 200 | 0.0022                 | KG/K01                 | 4                        | 8      | 10     | 7.5              | 30           | F211KG222(1)400(2)    | SMR7.5222(3)400K01(2)  |
| 400 | 200 | 0.0027                 | KG/K01                 | 4                        | 8      | 10     | 7.5              | 30           | F211KG272(1)400(2)    | SMR7.5272(3)400K01(2)  |
| 400 | 200 | 0.0033                 | KG/K01                 | 4                        | 8      | 10     | 7.5              | 30           | F211KG332(1)400(2)    | SMR7.5332(3)400K01(2)  |
| 400 | 200 | 0.0039                 | KG/K01                 | 4                        | 8      | 10     | 7.5              | 30           | F211KG392(1)400(2)    | SMR7.5392(3)400K01(2)  |
| 400 | 200 | 0.0047                 | KG/K01                 | 4                        | 8      | 10     | 7.5              | 30           | F211KG472(1)400(2)    | SMR7.5472(3)400K01(2)  |
| 400 | 200 | 0.0056                 | KG/K01                 | 4                        | 8      | 10     | 7.5              | 30           | F211KG562(1)400(2)    | SMR7.5562(3)400K01(2)  |
| 400 | 200 | 0.0068                 | KG/K01                 | 4                        | 8      | 10     | 7.5              | 30           | F211KG682(1)400(2)    | SMR7.5682(3)400K01(2)  |
| 400 | 200 | 0.0082                 | KG/K01                 | 4                        | 8      | 10     | 7.5              | 30           | F211KG822(1)400(2)    | SMR7.5822(3)400K01(2)  |
| 400 | 200 | 0.01                   | KG/K01                 | 4                        | 8      | 10     | 7.5              | 30           | F211KG103(1)400(2)    | SMR7.5103(3)400K01(2)  |
| 400 | 200 | 0.012                  | KG/K01                 | 4                        | 8      | 10     | 7.5              | 30           | F211KG123(1)400(2)    | SMR7.5123(3)400K01(2)  |
| 400 | 200 | 0.015                  | KG/K01                 | 4                        | 8      | 10     | 7.5              | 30           | F211KG153(1)400(2)    | SMR7.5153(3)400K01(2)  |
| 400 | 200 | 0.018                  | KG/K01                 | 4                        | 8      | 10     | 7.5              | 30           | F211KG183(1)400(2)    | SMR7.5183(3)400K01(2)  |
| 400 | 200 | 0.022                  | KG/K01                 | 4                        | 8      | 10     | 7.5              | 30           | F211KG223(1)400(2)    | SMR7.5223(3)400K01(2)  |
| 400 | 200 | 0.027                  | KK/K03                 | 5                        | 11     | 10     | 7.5              | 30           | F211KK273(1)400(2)    | SMR7.5273(3)400K03(2)  |
| 400 | 200 | 0.033                  | KK/K03                 | 5                        | 11     | 10     | 7.5              | 30           | F211KK333(1)400(2)    | SMR7.5333(3)400K03(2)  |
| VDC | VAC | Capacitance Value (µF) | Size Code (New/Legacy) | B (mm)                   | H (mm) | L (mm) | Lead Spacing (p) | dV/dt (V/µs) | New KEMET Part Number | Legacy Part Number     |

(1) R = ±2.5%, J = ±5%, K = ±10%, M = ±20%  
 (2) Insert lead and packaging code. See Ordering Options Table for available options.  
 (3) H = ±2.5%, J = ±5%, K = ±10%, M = ±20%

**Table 1 – Ratings & Part Number Reference cont.**

| VDC | VAC | Capacitance Value (µF) | Size Code (New/Legacy) | Maximum Dimensions in mm |        |        | Lead Spacing (p) | dV/dt (V/µs) | New KEMET Part Number | Legacy Part Number     |
|-----|-----|------------------------|------------------------|--------------------------|--------|--------|------------------|--------------|-----------------------|------------------------|
|     |     |                        |                        | B                        | H      | L      |                  |              |                       |                        |
| 400 | 200 | 0.039                  | KK/K03                 | 5                        | 11     | 10     | 7.5              | 30           | F211KK393(1)400(2)    | SMR7.5393(3)400K03(2)  |
| 400 | 200 | 0.047                  | KK/K03                 | 5                        | 11     | 10     | 7.5              | 30           | F211KK473(1)400(2)    | SMR7.5473(3)400K03(2)  |
| 400 | 200 | 0.056                  | KM/K04                 | 6                        | 12     | 10.5   | 7.5              | 30           | F211KM563(1)400(2)    | SMR7.5563(3)400K04(2)  |
| 400 | 200 | 0.068                  | KM/K04                 | 6                        | 12     | 10.5   | 7.5              | 30           | F211KM683(1)400(2)    | SMR7.5683(3)400K04(2)  |
| 400 | 200 | 0.0027                 | AG/A01                 | 4                        | 9      | 13     | 10               | 25           | F211AG272(1)400(2)    | SMR10272(3)400A01(2)   |
| 400 | 200 | 0.0033                 | AG/A01                 | 4                        | 9      | 13     | 10               | 25           | F211AG332(1)400(2)    | SMR10332(3)400A01(2)   |
| 400 | 200 | 0.0039                 | AG/A01                 | 4                        | 9      | 13     | 10               | 25           | F211AG392(1)400(2)    | SMR10392(3)400A01(2)   |
| 400 | 200 | 0.0047                 | AG/A01                 | 4                        | 9      | 13     | 10               | 25           | F211AG472(1)400(2)    | SMR10472(3)400A01(2)   |
| 400 | 200 | 0.0068                 | AG/A01                 | 4                        | 9      | 13     | 10               | 25           | F211AG682(1)400(2)    | SMR10682(3)400A01(2)   |
| 400 | 200 | 0.0082                 | AG/A01                 | 4                        | 9      | 13     | 10               | 25           | F211AG822(1)400(2)    | SMR10822(3)400A01(2)   |
| 400 | 200 | 0.01                   | AG/A01                 | 4                        | 9      | 13     | 10               | 25           | F211AG103(1)400(2)    | SMR10103(3)400A01(2)   |
| 400 | 200 | 0.012                  | AG/A01                 | 4                        | 9      | 13     | 10               | 25           | F211AG123(1)400(2)    | SMR10123(3)400A01(2)   |
| 400 | 200 | 0.015                  | AG/A01                 | 4                        | 9      | 13     | 10               | 25           | F211AG153(1)400(2)    | SMR10153(3)400A01(2)   |
| 400 | 200 | 0.018                  | AG/A01                 | 4                        | 9      | 13     | 10               | 25           | F211AG183(1)400(2)    | SMR10183(3)400A01(2)   |
| 400 | 200 | 0.022                  | AG/A01                 | 4                        | 9      | 13     | 10               | 25           | F211AG223(1)400(2)    | SMR10223(3)400A01(2)   |
| 400 | 200 | 0.027                  | AG/A01                 | 4                        | 9      | 13     | 10               | 25           | F211AG273(1)400(2)    | SMR10273(3)400A01(2)   |
| 400 | 200 | 0.033                  | AG/A01                 | 4                        | 9      | 13     | 10               | 25           | F211AG333(1)400(2)    | SMR10333(3)400A01(2)   |
| 400 | 200 | 0.039                  | AH/A02                 | 4.5                      | 10.5   | 13     | 10               | 25           | F211AH393(1)400(2)    | SMR10393(3)400A02(2)   |
| 400 | 200 | 0.047                  | AK/A03                 | 5                        | 11     | 13     | 10               | 25           | F211AK473(1)400(2)    | SMR10473(3)400A03(2)   |
| 400 | 200 | 0.056                  | AK/A03                 | 5                        | 11     | 13     | 10               | 25           | F211AK563(1)400(2)    | SMR10563(3)400A03(2)   |
| 400 | 200 | 0.068                  | AP/A04                 | 6                        | 12     | 13     | 10               | 25           | F211AP683(1)400(2)    | SMR10683(3)400A04(2)   |
| 400 | 200 | 0.082                  | AP/A04                 | 6                        | 12     | 13     | 10               | 25           | F211AP823(1)400(2)    | SMR10823(3)400A04(2)   |
| 400 | 200 | 0.047                  | BD/B04                 | 5.5                      | 10.5   | 18     | 15               | 15           | F211BD473(1)400(2)    | SMR15473(3)400B04(2)   |
| 400 | 200 | 0.056                  | BD/B04                 | 5.5                      | 10.5   | 18     | 15               | 15           | F211BD563(1)400(2)    | SMR15563(3)400B04(2)   |
| 400 | 200 | 0.068                  | BD/B04                 | 5.5                      | 10.5   | 18     | 15               | 15           | F211BD683(1)400(2)    | SMR15683(3)400B04(2)   |
| 400 | 200 | 0.082                  | BE/B05                 | 5.5                      | 12.5   | 18     | 15               | 15           | F211BE823(1)400(2)    | SMR15823(3)400B05(2)   |
| 400 | 200 | 0.1                    | BJ/B10                 | 6.5                      | 12.5   | 18     | 15               | 15           | F211BJ104(1)400(2)    | SMR15104(3)400B10(2)   |
| 400 | 200 | 0.12                   | BL/B06                 | 7.5                      | 14.5   | 18     | 15               | 15           | F211BL124(1)400(2)    | SMR15124(3)400B06(2)   |
| 400 | 200 | 0.15                   | BL/B06                 | 7.5                      | 14.5   | 18     | 15               | 15           | F211BL154(1)400(2)    | SMR15154(3)400B06(2)   |
| 400 | 200 | 0.18                   | BM/B12                 | 8                        | 15     | 18     | 15               | 15           | F211BM184(1)400(2)    | SMR15184(3)400B12(2)   |
| 400 | 200 | 0.22                   | BQ/B11                 | 8.5                      | 16     | 18     | 15               | 15           | F211BQ224(1)400(2)    | SMR15224(3)400B11(2)   |
| 400 | 200 | 0.27                   | BV/B14                 | 9.5                      | 17.5   | 18     | 15               | 15           | F211BV274(1)400(2)    | SMR15274(3)400B14(2)   |
| 400 | 200 | 0.15                   | DD/D13                 | 6.5                      | 14.5   | 26     | 22.5             | 10           | F211DD154(1)400(2)    | SMR22.5154(3)400D13(2) |
| 400 | 200 | 0.18                   | DD/D13                 | 6.5                      | 14.5   | 26     | 22.5             | 10           | F211DD184(1)400(2)    | SMR22.5184(3)400D13(2) |
| 400 | 200 | 0.22                   | DD/D13                 | 6.5                      | 14.5   | 26     | 22.5             | 10           | F211DD224(1)400(2)    | SMR22.5224(3)400D13(2) |
| 400 | 200 | 0.27                   | DF/D17                 | 7                        | 16.5   | 26     | 22.5             | 10           | F211DF274(1)400(2)    | SMR22.5274(3)400D17(2) |
| 400 | 200 | 0.33                   | DH/D14                 | 8                        | 16     | 26     | 22.5             | 10           | F211DH334(1)400(2)    | SMR22.5334(3)400D14(2) |
| 400 | 200 | 0.39                   | DM/D15                 | 9                        | 18.5   | 26     | 22.5             | 10           | F211DM394(1)400(2)    | SMR22.5394(3)400D15(2) |
| 400 | 200 | 0.47                   | DM/D15                 | 9                        | 18.5   | 26     | 22.5             | 10           | F211DM474(1)400(2)    | SMR22.5474(3)400D15(2) |
| 400 | 200 | 0.56                   | DR/D18                 | 10.5                     | 19     | 26     | 22.5             | 10           | F211DR564(1)400(2)    | SMR22.5564(3)400D18(2) |
| 400 | 200 | 0.68                   | DT/D16                 | 11                       | 21.5   | 26     | 22.5             | 10           | F211DT684(1)400(2)    | SMR22.5684(3)400D16(2) |
| 400 | 200 | 0.47                   | FE/F11                 | 10.5                     | 20.5   | 31.5   | 27.5             | 8            | F211FE474(1)400(2)    | SMR27.5474(3)400F11(2) |
| 400 | 200 | 0.56                   | FE/F11                 | 10.5                     | 20.5   | 31.5   | 27.5             | 8            | F211FE564(1)400(2)    | SMR27.5564(3)400F11(2) |
| 400 | 200 | 0.68                   | FE/F11                 | 10.5                     | 20.5   | 31.5   | 27.5             | 8            | F211FE684(1)400(2)    | SMR27.5684(3)400F11(2) |
| 400 | 200 | 0.82                   | FG/F12                 | 11.5                     | 22.5   | 31.5   | 27.5             | 8            | F211FG824(1)400(2)    | SMR27.5824(3)400F12(2) |
| 400 | 200 | 1                      | FG/F12                 | 11.5                     | 22.5   | 31.5   | 27.5             | 8            | F211FG105(1)400(2)    | SMR27.5105(3)400F12(2) |
| 400 | 200 | 1.2                    | FM/F13                 | 14.5                     | 24.5   | 31.5   | 27.5             | 8            | F211FM125(1)400(2)    | SMR27.5125(3)400F13(2) |
| 400 | 200 | 1.5                    | FR/F14                 | 17.5                     | 28     | 31.5   | 27.5             | 8            | F211FR155(1)400(2)    | SMR27.5155(3)400F14(2) |
| 400 | 200 | 1.8                    | FR/F14                 | 17.5                     | 28     | 31.5   | 27.5             | 8            | F211FR185(1)400(2)    | SMR27.5185(3)400F14(2) |
| VDC | VAC | Capacitance Value (µF) | Size Code (New/Legacy) | B (mm)                   | H (mm) | L (mm) | Lead Spacing (p) | dV/dt (V/µs) | New KEMET Part Number | Legacy Part Number     |

- (1) R = ±2.5%, J = ±5%, K = ±10%, M = ±20%
- (2) Insert lead and packaging code. See Ordering Options Table for available options.
- (3) H = ±2.5%, J = ±5%, K = ±10%, M = ±20%

## Soldering Process

The implementation of the RoHS directive has resulted in the selection of SnAuCu (SAC) alloys or SnCu alloys as primary solder. This has increased the liquidus temperature from that of 183°C for SnPb eutectic alloy to 217 – 221°C for the new alloys. As a result, the heat stress to the components, even in wave soldering, has increased considerably due to higher pre-heat and wave temperatures. Polypropylene capacitors are especially sensitive to heat (the melting point of polypropylene is 160 – 170°C). Wave soldering can be destructive, especially for mechanically small polypropylene capacitors (with lead spacing of 5 – 15 mm), and great care has to be taken during soldering. In general, the wave soldering curve from IEC Publication 61760-1 Edition 2 serves as a solid guideline for successful soldering. Please see Figure 1. The recommended solder profiles from KEMET should be used. Please consult KEMET with any questions.

Reflow soldering is not recommended for through-hole film capacitors. Exposing capacitors to a soldering profile in excess of the above the recommended limits may result to degradation or permanent damage to the capacitors.

Do not place the polypropylene capacitor through an adhesive curing oven to cure resin for surface mount components. Insert through-hole parts after the curing of surface mount parts. Consult KEMET to discuss the actual temperature profile in the oven, if through-hole components must pass through the adhesive curing process. A maximum two soldering cycles is recommended. Please allow time for the capacitor surface temperature to return to a normal temperature before the second soldering cycle.

### Manual Soldering Recommendations

Following is the recommendation for manual soldering with a soldering iron.



Soldering iron tip temperature should be set at 350°C (+10°C maximum) with the soldering duration not to exceed more than three seconds.

### Wave Soldering Recommendations



## Soldering Process cont.

### Wave Soldering Recommendations cont.

1. The table indicates the maximum set-up temperature of the soldering process  
 Figure 1

| Dielectric Film Material | Maximum Preheat Temperature |                         |                         | Maximum Peak Soldering Temperature |                         |
|--------------------------|-----------------------------|-------------------------|-------------------------|------------------------------------|-------------------------|
|                          | Capacitor pitch ≤ 10 mm     | Capacitor pitch = 15 mm | Capacitor pitch > 15 mm | Capacitor pitch ≤ 15 mm            | Capacitor pitch > 15 mm |
| Polyester                | 130°C                       | 130°C                   | 130°C                   | 270°C                              | 270°C                   |
| Polypropylene            | 110°C                       | 110°C                   | 130°C                   | 260°C                              | 270°C                   |
| Paper                    | 130°C                       | 130°C                   | 140°C                   | 270°C                              | 270°C                   |
| Polyphenylene Sulphide   | 150°C                       | 150°C                   | 160°C                   | 270°C                              | 270°C                   |

2. The maximum temperature measured inside the capacitor:

Set the temperature so that inside the element the maximum temperature is below the limit:

| Dielectric Film Material | Maximum temperature measured inside the element |
|--------------------------|---|
| Polyester                | 160°C   |
| Polypropylene            | 110°C   |
| Paper                    | 160°C   |
| Polyphenylene Sulphide   | 160°C   |



*Temperature monitored inside the capacitor.*

### Selective Soldering Recommendations

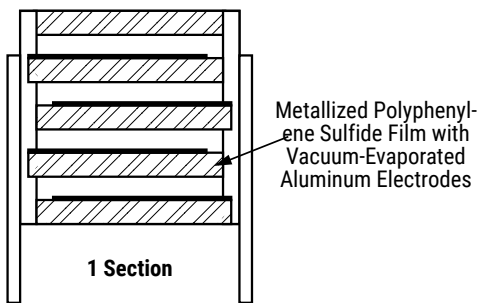
Selective dip soldering is a variation of reflow soldering. In this method, the printed circuit board with through-hole components to be soldered is preheated and transported over the solder bath as in normal flow soldering without touching the solder. When the board is over the bath, it is stopped, and pre-designed solder pots are lifted from the bath with molten solder only at the places of the selected components and pressed against the lower surface of the board to solder the components.

The temperature profile for selective soldering is similar to the double wave flow soldering outlined in this document; **however, instead of two baths, there is only one bath with a time of 3 to 10 seconds.** In selective soldering, the risk of overheating is greater than in double wave flow soldering, and great care must be taken so that the parts are not overheated.

## Construction



## Winding Scheme



## Marking

Lead Spacing 5 mm

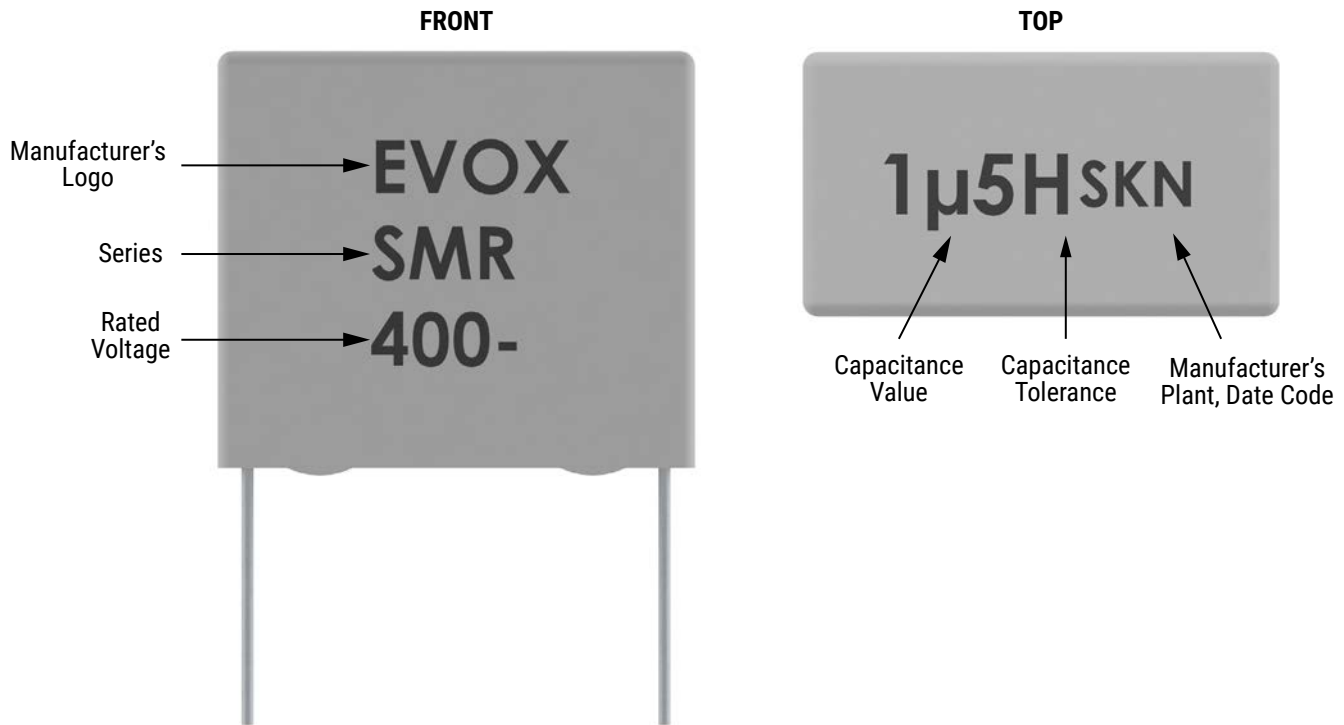


Lead Spacing 7.5 – 22.5 mm



## Marking cont.

Lead Spacing  $\geq 27.5$  mm



## Packaging Quantities

| KEMET Size Code | Legacy Size Code | Lead Spacing | Thickness (mm) | Height (mm) | Length (mm) | Bulk Short Leads | Bulk Long Leads | Standard Reel 360 mm | Large Reel 500 mm | Ammo  | Standard Reel Formed | Ammo Formed |
|-----------------|------------------|--------------|----------------|-------------|-------------|------------------|-----------------|----------------------|-------------------|-------|----------------------|-------------|
| JF              | J01              | 5.0          | 2.5            | 6.5         | 7.2         | 2,000            | 2,000           | 2,500                | 5,000             | 3,000 |                      |             |
| JJ              | J02              |              | 3.5            | 8.0         | 7.2         | 2,000            | 2,000           | 2,000                | 4,000             | 2,000 |                      |             |
| JL              | J03              |              | 4.5            | 9.0         | 7.2         | 1,000            | 1,000           | 1,500                | 3,000             | 1,700 |                      |             |
| JQ              | J04              |              | 5.0            | 10.0        | 7.2         | 1,000            | 1,000           | 1,300                | 2,600             | 1,500 |                      |             |
| JT              | J05              |              | 6.0            | 11.0        | 7.2         | 1,000            | 1,000           | 1,000                | 2,000             | 1,200 |                      |             |
| JU              | J06              |              | 7.2            | 13.0        | 7.2         | 1,000            | 1,000           | 800                  | 1,600             |       |                      |             |
| KE              | K00              | 7.5          | 2.5            | 6.0         | 10.0        | 2,000            | 2,000           | 2,500                | 5,000             | 3,000 |                      |             |
| KG              | K01              |              | 4.0            | 8.0         | 10.0        | 1,000            | 1,000           | 1,700                | 3,400             | 1,900 |                      |             |
| KK              | K03              |              | 5.0            | 11.0        | 10.0        | 1,000            | 1,000           | 1,300                | 2,600             | 1,500 |                      | 1,200       |
| KM              | K04              |              | 6.0            | 12.0        | 10.0        | 1,000            | 1,000           | 1,000                | 2,000             | 1,200 |                      |             |

## Packaging Quantities cont.

| KEMET Size Code | Legacy Size Code | Lead Spacing | Thickness (mm) | Height (mm) | Length (mm) | Bulk Short Leads | Bulk Long Leads | Standard Reel 360 mm | Large Reel 500 mm | Ammo | Standard Reel Formed | Ammo Formed |
|-----------------|------------------|--------------|----------------|-------------|-------------|------------------|-----------------|----------------------|-------------------|------|----------------------|-------------|
| AG              | A01              | 10           | 4.0            | 9.0         | 13.0        | 1,000            | 1,000           | 900                  | 1,800             |      |                      | 630         |
| AH              | A02              |              | 4.5            | 10.5        | 13.0        | 1,000            | 1,000           | 800                  | 1,600             |      |                      | 630         |
| AK              | A03              |              | 5.0            | 11.0        | 13.0        | 800              | 800             | 700                  | 1,400             |      |                      |             |
| AP              | A04              |              | 6.0            | 12.0        | 13.0        | 600              | 600             | 500                  | 1,000             |      |                      | 520         |
| AL              | A05              |              | 9.5            | 7.5         | 13.0        | 600              | 600             | 350                  | 700               |      |                      |             |
| AE              | A06              |              | 4.0            | 8.0         | 13.0        | 1,000            | 1,000           | 900                  | 1,800             |      |                      |             |
| BD              | B04              | 15           | 5.5            | 10.5        | 18.0        | 1,000            | 800             | 600                  | 1,200             |      | 550                  | 570         |
| BE              | B05              |              | 5.5            | 12.5        | 18.0        | 1,000            | 800             | 600                  | 1,200             |      | 550                  | 570         |
| BL              | B06              |              | 7.5            | 14.5        | 18.0        | 800              | 400             | 400                  | 800               |      | 400                  | 378         |
| BJ              | B10              |              | 6.5            | 12.5        | 18.0        | 1,000            | 600             | 500                  | 1,000             |      | 450                  | 480         |
| BQ              | B11              |              | 8.5            | 16.0        | 18.0        | 600              | 400             | 400                  | 800               |      | 400                  | 324         |
| BM              | B12              |              | 8.0            | 15.0        | 18.0        | 600              | 400             | 400                  | 800               |      | 350                  | 351         |
| BV              | B14              |              | 9.5            | 17.5        | 18.0        | 500              | 300             | 350                  | 700               |      | 250                  | 297         |
| BG              | B15              |              | 6.0            | 12.0        | 18.0        | 1,000            | 800             | 500                  | 1,000             |      | 450                  | 520         |
| BY              | B16              |              | 11.0           | 19.0        | 18.0        | 350              | 250             | 250                  | 500               |      | 250                  | 252         |
| BU              | B17              |              | 13.0           | 12.5        | 18.0        | 400              | 300             | 250                  | 500               |      | 200                  | 216         |
| DD              | D13              | 22.5         | 6.5            | 14.5        | 26.5        | 234              |                 | 300                  | 600               |      |                      |             |
| DH              | D14              |              | 8.0            | 16.0        | 26.5        | 186              |                 | 250                  | 500               |      |                      |             |
| DM              | D15              |              | 9.0            | 18.5        | 26.5        | 308              |                 | 250                  | 500               |      |                      |             |
| DT              | D16              |              | 11.0           | 21.5        | 26.5        | 253              |                 | 200                  | 400               |      |                      |             |
| DF              | D17              |              | 7.0            | 16.5        | 26.5        | 216              |                 | 300                  | 600               |      |                      |             |
| DR              | D18              |              | 10.5           | 19.0        | 26.5        | 264              |                 | 200                  | 400               |      |                      |             |
| DY              | D19              |              | 15.5           | 24.5        | 26.5        | 176              |                 | 110                  | 250               |      |                      |             |
| DW              | D20              |              | 13.5           | 23.0        | 26.5        | 209              |                 | 160                  | 300               |      |                      |             |
| FK              | F03              | 27.5         | 13.5           | 23.0        | 31.5        | 171              |                 |                      | 250               |      |                      |             |
| FE              | F11              |              | 10.5           | 20.5        | 31.5        | 216              |                 |                      | 350               |      |                      |             |
| FG              | F12              |              | 11.5           | 22.5        | 31.5        | 198              |                 |                      | 300               |      |                      |             |
| FM              | F13              |              | 14.5           | 24.5        | 31.5        | 153              |                 |                      | 250               |      |                      |             |
| FR              | F14              |              | 17.5           | 28.0        | 31.5        | 126              |                 |                      |                   |      |                      |             |
| FS              | F15              |              | 19.0           | 29.0        | 31.5        | 117              |                 |                      |                   |      |                      |             |
| FV              | F16              |              | 21.0           | 30.0        | 31.5        | 108              |                 |                      |                   |      |                      |             |
| FH              | F17              |              | 21.0           | 12.5        | 31.5        | 108              |                 |                      |                   |      |                      |             |
| FT              | F18              |              | 31.0           | 18.5        | 31.5        | 72               |                 |                      |                   |      |                      |             |
| FQ              | F19              |              | 27.5           | 16.0        | 31.5        | 81               |                 |                      |                   |      |                      |             |



## Lead Taping & Packaging (IEC 60286-2)



## Taping Specification

| Dimensions in mm              |           |                    |          |          |            |          |          |             |             | Standard IEC 60286-2 |
|-------------------------------|-----------|--------------------|----------|----------|------------|----------|----------|-------------|-------------|----------------------|
| Lead Spacing                  | +0.6/-0.1 | F                  | 5        | 7.5      | Formed 7.5 | 10       | 15       | 22.5        | 27.5        | F                    |
| Carrier Tape Width            | ±0.5      | W                  | 18       | 18       | 18         | 18       | 18       | 18          | 18          | 18±1/-0.5            |
| Hold-down Tape Width          | Minimum   | W <sub>0</sub>     | 5        | 5        | 5          | 5        | 5        | 5           | 5           |                      |
| Position of Sprocket Hole     | ±0.5      | W <sub>1</sub>     | 9        | 9        | 9          | 9        | 9        | 9           | 9           | 9+0.75/-0.5          |
| Distance Between Tapes        | Maximum   | W <sub>2</sub>     | 3        | 3        | 3          | 3        | 3        | 3           | 3           | 3                    |
| Sprocket Hole Diameter        | ±0.2      | D <sub>0</sub>     | 4        | 4        | 4          | 4        | 4        | 4           | 4           | 4                    |
| Feed Hole Lead Spacing        | ±0.3      | P <sub>0</sub> (1) | 12.7     | 12.7     | 12.7 (4)   | 12.7     | 12.7     | 12.7        | 12.7        | 12.7                 |
| Distance Lead – Feed Hole     | ±0.7      | P <sub>1</sub>     | 3.85     | 3.75     | 3.75       | 7.7      | 5.2      | 5.3         | 5.3         | P1                   |
| Deviation Tape – Plane        | Maximum   | Δ p                | 1.3      | 1.3      | 1.3        | 1.3      | 1.3      | 1.3         | 1.3         | 1.3                  |
| Lateral Deviation             | Maximum   | Δ h                | 2        | 2        | 2          | 2        | 2        | 2           | 2           | 2                    |
| Total Thickness               | ±0.2      | t                  | 0.7      | 0.7      | 0.7        | 0.7      | 0.7      | 0.9 Maximum | 0.9 Maximum | 0.9 Maximum          |
| Sprocket Hole/Cap Body        | Nominal   | H <sub>0</sub> (2) | 18.5±0.5 | 18.5±0.5 | 18.5±0.5   | 18.5±0.5 | 18.5±0.5 | 18.5±0.5    | 18.5±0.5    | 18.0±2/-0            |
| Sprocket Hole/Top of Cap Body | Maximum   | H <sub>1</sub> (3) | 32       | 31       | 43         | 43       | 43       | 58          | 58          | 58 Maximum           |

(1) Maximum cumulative feed hole error, 1 mm per 20 parts

(2) 16.5 mm available on request

(3) Depending on case size

(4) 15 mm available on request

## Lead Taping & Packaging (IEC 60286-2) cont.

### Ammo Specifications

| Series                               | Dimensions (mm) |     |    |
|--------------------------------------|-----------------|-----|----|
|                                      | H               | W   | T  |
| R4x, R4x+R, R7x, RSB                 | 360             | 340 | 59 |
| F5A, F5B, F5D                        |                 |     |    |
| F6xx, F8xx                           |                 |     |    |
| PHExxx, PMExxx, PMRxxx,<br>SMR & PFR | 330             | 330 | 50 |



### Reel Specifications

| Series                               | Dimensions (mm) |    |          |
|--------------------------------------|-----------------|----|----------|
|                                      | D               | H  | W        |
| R4x, R4x+R, R7x, RSB                 | 355<br>500      | 30 | 55 (Max) |
| F5A, F5B, F5D                        |                 | 25 |          |
| F6xx, F8xx                           |                 |    |          |
| PHExxx, PMExxx, PMRxxx,<br>SMR & PFR | 360<br>500      | 30 | 46 (Max) |



### Manufacturing Date Code (IEC-60062)

| Y = Year, Z = Month |      |           |      |
|---------------------|------|-----------|------|
| Year                | Code | Month     | Code |
| 2010                | A    | January   | 1    |
| 2011                | B    | February  | 2    |
| 2012                | C    | March     | 3    |
| 2013                | D    | April     | 4    |
| 2014                | E    | May       | 5    |
| 2015                | F    | June      | 6    |
| 2016                | H    | July      | 7    |
| 2017                | J    | August    | 8    |
| 2018                | K    | September | 9    |
| 2019                | L    | October   | 0    |
| 2020                | M    | November  | N    |
| 2021                | N    | December  | D    |
| 2022                | P    |           |      |
| 2023                | R    |           |      |
| 2024                | S    |           |      |
| 2025                | T    |           |      |
| 2026                | U    |           |      |
| 2027                | V    |           |      |
| 2028                | W    |           |      |
| 2029                | X    |           |      |
| 2030                | A    |           |      |

## KEMET Electronics Corporation Sales Offices

For a complete list of our global sales offices, please visit [www.kemet.com/sales](http://www.kemet.com/sales).

---

### Disclaimer

All product specifications, statements, information and data (collectively, the "Information") in this datasheet are subject to change. The customer is responsible for checking and verifying the extent to which the Information contained in this publication is applicable to an order at the time the order is placed. All Information given herein is believed to be accurate and reliable, but it is presented without guarantee, warranty, or responsibility of any kind, expressed or implied.

Statements of suitability for certain applications are based on KEMET Electronics Corporation's ("KEMET") knowledge of typical operating conditions for such applications, but are not intended to constitute – and KEMET specifically disclaims – any warranty concerning suitability for a specific customer application or use. The Information is intended for use only by customers who have the requisite experience and capability to determine the correct products for their application. Any technical advice inferred from this Information or otherwise provided by KEMET with reference to the use of KEMET's products is given gratis, and KEMET assumes no obligation or liability for the advice given or results obtained.

Although KEMET designs and manufactures its products to the most stringent quality and safety standards, given the current state of the art, isolated component failures may still occur. Accordingly, customer applications which require a high degree of reliability or safety should employ suitable designs or other safeguards (such as installation of protective circuitry or redundancies) in order to ensure that the failure of an electrical component does not result in a risk of personal injury or property damage.

Although all product-related warnings, cautions and notes must be observed, the customer should not assume that all safety measures are indicated or that other measures may not be required.

*KEMET is a registered trademark of KEMET Electronics Corporation.*



Компания «ЭлектроПласт» предлагает заключение долгосрочных отношений при поставках импортных электронных компонентов на взаимовыгодных условиях!

Наши преимущества:

- Оперативные поставки широкого спектра электронных компонентов отечественного и импортного производства напрямую от производителей и с крупнейших мировых складов;
- Поставка более 17-ти миллионов наименований электронных компонентов;
- Поставка сложных, дефицитных, либо снятых с производства позиций;
- Оперативные сроки поставки под заказ (от 5 рабочих дней);
- Экспресс доставка в любую точку России;
- Техническая поддержка проекта, помощь в подборе аналогов, поставка прототипов;
- Система менеджмента качества сертифицирована по Международному стандарту ISO 9001;
- Лицензия ФСБ на осуществление работ с использованием сведений, составляющих государственную тайну;
- Поставка специализированных компонентов (Xilinx, Altera, Analog Devices, Intersil, Interpoint, Microsemi, Aeroflex, Peregrine, Syfer, Eurofarad, Texas Instrument, Miteq, Cobham, E2V, MA-COM, Hittite, Mini-Circuits, General Dynamics и др.);

Помимо этого, одним из направлений компании «ЭлектроПласт» является направление «Источники питания». Мы предлагаем Вам помощь Конструкторского отдела:

- Подбор оптимального решения, техническое обоснование при выборе компонента;
- Подбор аналогов;
- Консультации по применению компонента;
- Поставка образцов и прототипов;
- Техническая поддержка проекта;
- Защита от снятия компонента с производства.



#### Как с нами связаться

**Телефон:** 8 (812) 309 58 32 (многоканальный)

**Факс:** 8 (812) 320-02-42

**Электронная почта:** [org@eplast1.ru](mailto:org@eplast1.ru)

**Адрес:** 198099, г. Санкт-Петербург, ул. Калинина, дом 2, корпус 4, литера А.