



Is Now Part of



ON Semiconductor®

To learn more about ON Semiconductor, please visit our website at
www.onsemi.com

Please note: As part of the Fairchild Semiconductor integration, some of the Fairchild orderable part numbers will need to change in order to meet ON Semiconductor's system requirements. Since the ON Semiconductor product management systems do not have the ability to manage part nomenclature that utilizes an underscore (_), the underscore (_) in the Fairchild part numbers will be changed to a dash (-). This document may contain device numbers with an underscore (_). Please check the ON Semiconductor website to verify the updated device numbers. The most current and up-to-date ordering information can be found at www.onsemi.com. Please email any questions regarding the system integration to Fairchild_questions@onsemi.com.

ON Semiconductor and the ON Semiconductor logo are trademarks of Semiconductor Components Industries, LLC dba ON Semiconductor or its subsidiaries in the United States and/or other countries. ON Semiconductor owns the rights to a number of patents, trademarks, copyrights, trade secrets, and other intellectual property. A listing of ON Semiconductor's product/patent coverage may be accessed at www.onsemi.com/site/pdf/Patent-Marking.pdf. ON Semiconductor reserves the right to make changes without further notice to any products herein. ON Semiconductor makes no warranty, representation or guarantee regarding the suitability of its products for any particular purpose, nor does ON Semiconductor assume any liability arising out of the application or use of any product or circuit, and specifically disclaims any and all liability, including without limitation special, consequential or incidental damages. Buyer is responsible for its products and applications using ON Semiconductor products, including compliance with all laws, regulations and safety requirements or standards, regardless of any support or applications information provided by ON Semiconductor. "Typical" parameters which may be provided in ON Semiconductor data sheets and/or specifications can and do vary in different applications and actual performance may vary over time. All operating parameters, including "Typicals" must be validated for each customer application by customer's technical experts. ON Semiconductor does not convey any license under its patent rights nor the rights of others. ON Semiconductor products are not designed, intended, or authorized for use as a critical component in life support systems or any FDA Class 3 medical devices or medical devices with a same or similar classification in a foreign jurisdiction or any devices intended for implantation in the human body. Should Buyer purchase or use ON Semiconductor products for any such unintended or unauthorized application, Buyer shall indemnify and hold ON Semiconductor and its officers, employees, subsidiaries, affiliates, and distributors harmless against all claims, costs, damages, and expenses, and reasonable attorney fees arising out of, directly or indirectly, any claim of personal injury or death associated with such unintended or unauthorized use, even if such claim alleges that ON Semiconductor was negligent regarding the design or manufacture of the part. ON Semiconductor is an Equal Opportunity/Affirmative Action Employer. This literature is subject to all applicable copyright laws and is not for resale in any manner.



ON Semiconductor®

November 2016

FXGL2014 — 4-Channel LVTTTL to GTL Transceiver

Features

- Operates as a 4-bit GTL-/GTL/GTL+ Sampling receiver or as a LVTTTL to GTL-/GTL/GTL+ Driver
- 3.0 V to 3.6 V Operation with 5 V Tolerant LVTTTL Input
- GTL Input and Output 3.6 V Tolerant
- Vref Adjustable from 0.5 V to VCC/2
- Partial Power-down Permitted
- Under-Voltage Lockout (UVLO)
- ESD Protection exceeds 2000 V HBM per JESD22-A114 and 1000 V CDM per JESD22-CC101
- Latch-up Protection Exceeds 500 mA per JESD78
- Package Offered: TSSOP14
- -40°C to 85°C Operating Temperature Range

Description

The FXGL2014 is a 4-channel translator to interface between 3.3-V LVTTTL chip set I/O and Xeon processor GTL-/GTL/GTL+ I/O.

The FXGL2014 integrates ESD protection cells on all terminals and is available in a TSSOP package (5.0 mm x 4.4 mm). The device is characterized over free air temperature range of -40°C to 85°C.

Applications

- Server
- Base Station
- Wire-line Communication

Ordering Information

Part Number	Operating Temperature Range	Package	Packing Method
FXGL2014MTC	-40 to +85°C	5.0 mm x 4.4 mm, 0.65 mm Pitch, 14 Lead TSSOP Package	Tape & Reel

FXGL2014 — 4-Channel LVTTTL to GTL Transceiver

Analog Symbols

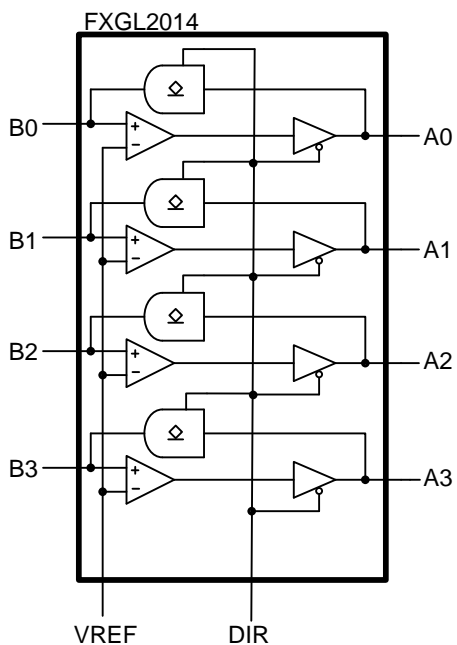


Figure 1. Analog Symbols

Functional Description

INPUT	INPUT/OUTPUT	
DIR	A (LVTTL)	B (GTL)
High Voltage	Input	$B_n = A_n$
Low Voltage	$A_n = B_n$	Input

Pin Configuration

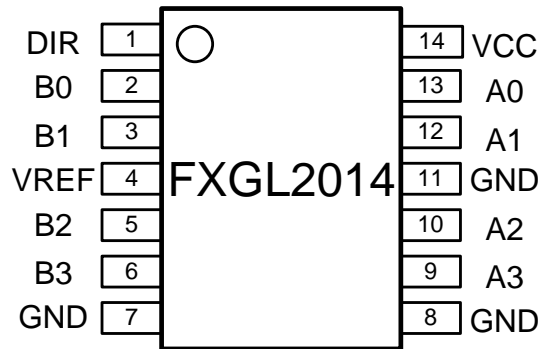


Figure 1. Pin Assignment (Top Through View)

Pin Descriptions

Pin Name	Pin #	Description
A0	13	LVTTTL Data Input / Output
A1	12	
A2	10	
A3	9	
B0	2	GTL Data Input / Output
B1	3	
B2	5	
B3	6	
DIR	1	Direction Control Input (LVTTTL)
GND	7	Ground
	8	
	11	
VCC	14	Supply Voltage
VREF	4	GTL Reference Voltage

Absolute Maximum Ratings

Stresses exceeding the absolute maximum ratings may damage the device. The device may not function or be operable above the recommended operating conditions and stressing the parts to these levels is not recommended. In addition, extended exposure to stresses above the recommended operating conditions may affect device reliability. The absolute maximum ratings are stress ratings only.

Symbol	Parameter		Min.	Max.	Unit
V_{CC}	Supply Voltage		-0.5	4.6	V
I_{IK}	Input Clamping Current, $V_I < 0$ V			-50	mA
V_{DIR}	Input Control Voltages DIR		-0.5	6	V
V_I	Input Voltage	A Port	-0.5	6.5	V
		B Port	-0.5	4.6	
I_{CK}	Control Input Clamp Current, $V_O < 0$ V			-50	mA
V_O	Output Voltage in Off-State	A Port	-0.5	6.5	V
		B Port	-0.5	4.6	
I_{OL}	Current into any output in the Low State	A Port		40	mA
		B Port		80	
I_{OH}	Current into any output in the High State			-40	mA
T_{stg}	Storage Temperature Range		-55	150	°C
V_{ESD}	Human Body Model (HBM), JEDEC: JESD22-A114	All Pins	2		kV
	Charged Device Model, JEDEC: JESD22-C101	All Pins	1		

Recommended Operating Conditions

The Recommended Operating Conditions table defines the conditions for actual device operation. Recommended operating conditions are specified to ensure optimal performance. ON does not recommend exceeding them or designing to Absolute Maximum Ratings.

Symbol	Parameter		Min.	Typ.	Max.	Unit
V_{CC}	Supply Voltage		3.0	3.3	3.6	V
V_{TT}	Termination Voltage	GTL-	0.85	0.90	0.95	V
		GTL	1.14	1.20	1.26	
		GTL+	1.35	1.50	1.65	
V_{REF}	Reference Voltage	Overall	0.5	$2/3V_{TT}$	$V_{CC}/2$	V
		GTL-	0.50	0.60	0.63	
		GTL	0.76	0.80	0.84	
		GTL+	0.87	1.00	1.10	
V_I	Input Voltage	A Port	0	3.3	$5.5^{(3)}$	V
		B Port	0	V_{TT}	3.6	
V_{IH}	High-level Input Voltage	A Port and DIR	2			V
		B Port	$V_{REF} + 50 \text{ mV}$			
V_{IL}	Low-level Input Voltage	A Port and DIR			0.8	V
		B Port			$V_{REF} - 50 \text{ mV}$	
I_{OL}	Low-level Output Current	A Port			20	mA
		B Port			50	
I_{OH}	High-level Output current	A Port			-20	mA

Notes:

1. Over operating free-air temperature range (unless otherwise noted).
2. All unused control inputs of the device must be held at V_{CC} or GND to ensure proper device operation.
3. The V_I (max) of LVTTTL port is 3.6 V if configured as output (DIR=L).

Thermal Information

Thermal Metric		Value	Unit
$R_{\theta JA}$	Junction-to-Ambient Thermal Resistance	116	°C/W
$R_{\theta JC(top)}$	Junction-to-Case (top) Thermal Resistance	17	

DC Electrical Characteristics

Specified at $T_A = -40^{\circ}\text{C}$ to 85°C (unless otherwise noted).

Symbol	Parameter	Conditions	-40°C to 85°C			Unit
			Min.	Typ.	Max.	
V_{OH}	A Port	$V_{CC} = 3$ to 3.6 V, $I_{OH} = -100$ μA	$V_{CC} - 0.2$			V
		$V_{CC} = 3$ V, $I_{OH} = -16$ mA	2.0			
V_{OL}	A Port	$V_{CC} = 3$ V, $I_{OL} = 8$ mA		0.28	0.40	V
	A Port	$V_{CC} = 3$ V, $I_{OL} = 12$ mA		0.42	0.60	
	A Port	$V_{CC} = 3$ V, $I_{OL} = 16$ mA		0.55	0.80	
	B Port	$V_{CC} = 3$ V, $I_{OL} = 40$ mA		0.23	0.40	
I_I	A Port	$V_{CC} = 3.6$ V, $V_I = V_{CC}$			± 1	μA
		$V_{CC} = 3.6$ V, $V_I = 0$ V			± 1	
		$V_{CC} = 3.6$ V, $V_I = 5.5$ V			5	
	B Port	$V_{CC} = 3.6$ V, $V_I = V_{TT}$ or GND			± 1	μA
Control Pin	$V_{CC} = 3.6$ V, $V_I = V_{CC}$ or 0 V			± 1	μA	
I_{off}	OFF-State Output Current on A Port	$V_{CC} = 0$ V, $V_{IO} = 0$ to 3.6 V			± 10	μA
	OFF-State Output Current on A Port	$V_{CC} = 0$ V, $V_{IO} = 3.6$ to 5.5 V			± 100	
	OFF-State Output Current on B Port	$V_{CC} = 0$ V, $V_{IO} = 0$ to 3.6 V			± 10	
I_{CC}	A Port	$V_{CC} = 3.6$ V, $V_I = V_{CC}$ or GND, $I_O = 0$		3	10	mA
	B Port	$V_{CC} = 3.6$ V, $V_I = V_{TT}$ or GND, $I_O = 0$		3	10	mA
ΔI_{CC}	A Port or Control Input	$V_{CC} = 3.6$ V, $V_I = V_{CC} - 0.6$ V			500	μA
$V_{UVLO}^{(4)}$	Under-Voltage Lockout Threshold	$V_{CC} = 0$ to 3 V	1.5			V
$C_I^{(4)}$	Input Capacitance of Control Pin	$V_{CC} = 3$ to 3.6 V, $V_I = 3.0$ V or 0 V		2.0		pF
$C_{IO}^{(4)}$	A Port	$V_{CC} = 3$ to 3.6 V, $V_O = 3.0$ V or 0 V		4.0		pF
	B Port	$V_{CC} = 3$ to 3.6 V, $V_O = V_{TT}$ or 0 V		5.46		

Note:

4. Guaranteed by characterization and / or design. Not production tested.

AC Electrical Characteristics

Over-operating range, $T_A = -40^{\circ}\text{C}$ to 85°C , $V_{CC} = 3.0$ to 3.6 V, $\text{GND} = 0$ V for GTL.

Symbol	Parameter		GTL-			GTL			GTL+			Unit
			$V_{CC} = 3.3 \text{ V} \pm 0.3 \text{ V}$			$V_{CC} = 3.3 \text{ V} \pm 0.3 \text{ V}$			$V_{CC} = 3.3 \text{ V} \pm 0.3 \text{ V}$			
			$V_{REF} = 0.6 \text{ V}$			$V_{REF} = 0.8 \text{ V}$			$V_{REF} = 1 \text{ V}$			
			$V_{TT} = 0.9 \text{ V}$			$V_{TT} = 1.2 \text{ V}$			$V_{TT} = 1.5 \text{ V}$			
			Min.	Typ.	Max.	Min.	Typ.	Max.	Min.	Typ.	Max.	
t_{PLH}	Low to High Propagation Delay ⁽⁵⁾	An to Bn		2.8	5.0		2.8	5.0		2.8	5.0	ns
t_{PHL}	High to Low Propagation Delay ⁽⁵⁾			3.3	7.0		3.4	7.0		3.4	7.0	
t_{PLH}	Low to High Propagation Delay ⁽⁵⁾	Bn to An		5.3	8.0		5.2	8.0		5.1	8.0	ns
t_{PHL}	High to Low Propagation Delay ⁽⁵⁾			5.2	8.0		4.9	7.0		4.7	7.0	

Note:

- Guaranteed by characterization and / or design. Not production tested.

Typical characteristics

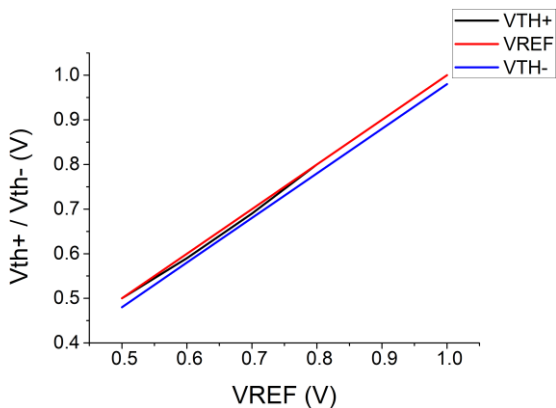


Figure 2. GTL Vth+ and Vth- vs. VREF (-40°C)

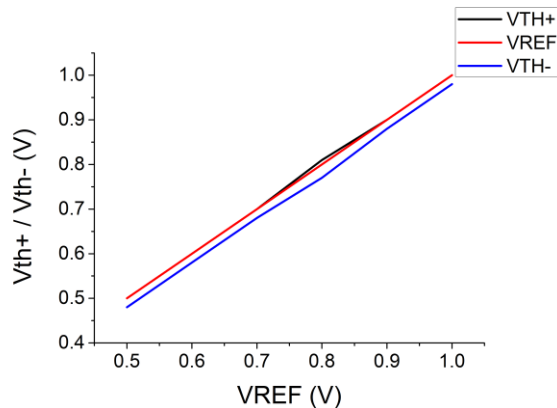


Figure 3. GTL Vth+ and Vth- vs. VREF (25°C)

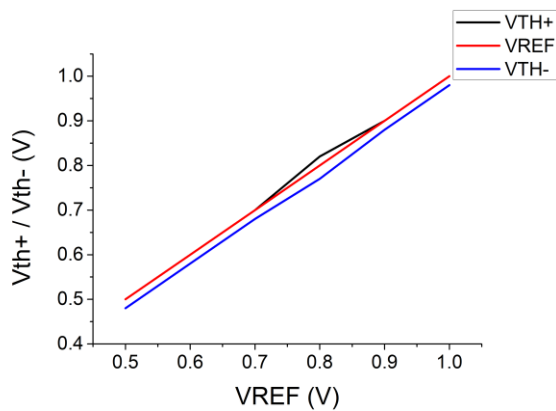


Figure 4. GTL Vth+ and Vth- vs. VREF (85°C)

Test Information

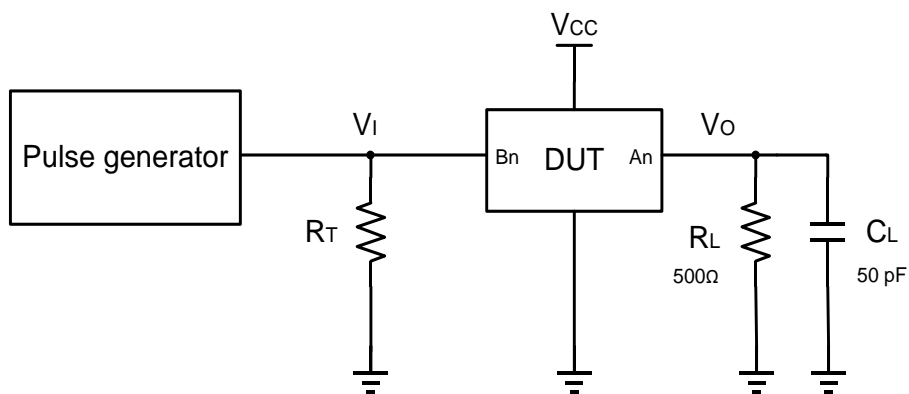


Figure 5. Load Circuit for A Port

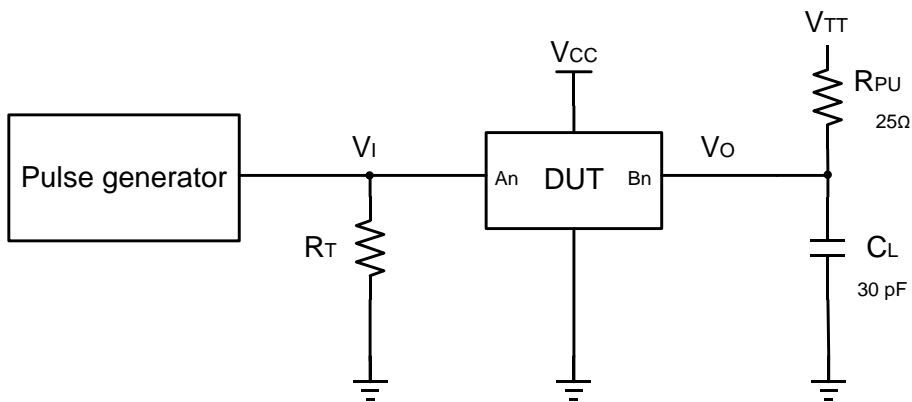


Figure 6. Load Circuit for B Port

R_T - Termination resistance; should be equal to output impedance of pulse generators.

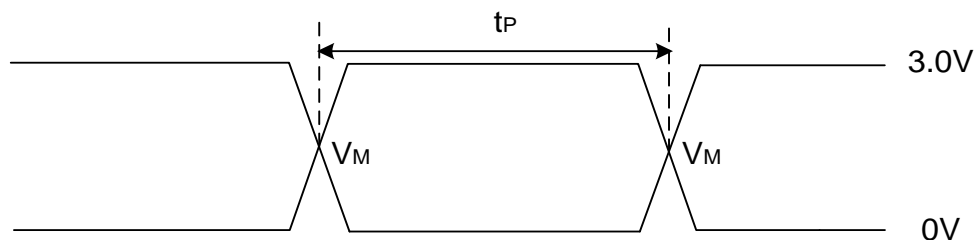
R_L - Load resistor.

C_L - Load capacitance; includes jig and probe capacitance.

Waveforms

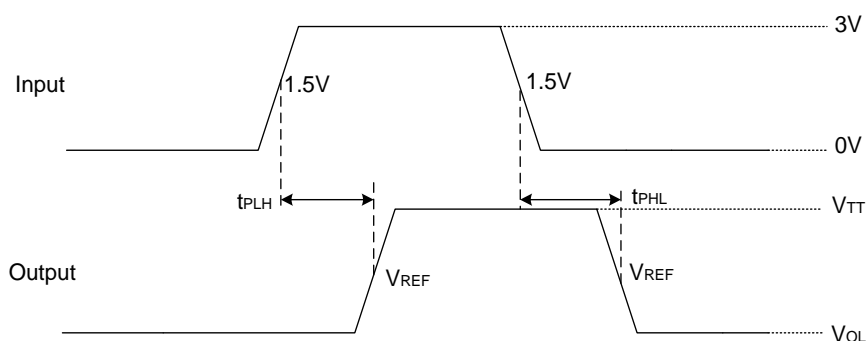
$V_M = 1.5\text{ V}$ at $V_{CC} \geq 3.0\text{ V}$; $V_M = V_{CC}$ at $V_{CC} \leq 2.7\text{ V}$ for A ports and control pins.

$V_M = V_{REF}$ for B ports.



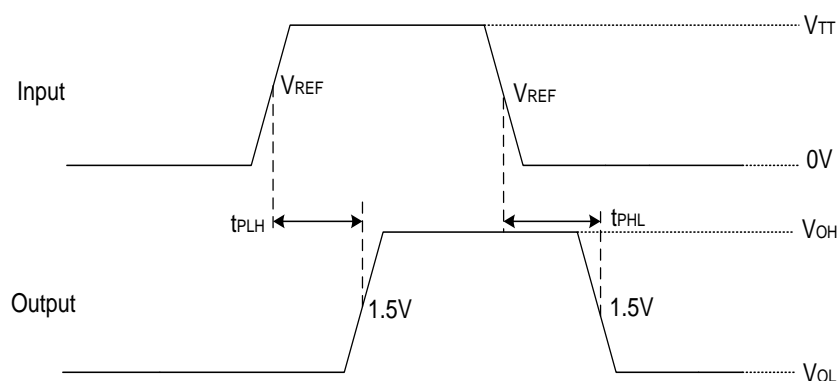
$V_M = 1.5\text{V}$ for A port and V_{REF} for B port

Pulse duration



A port to B port

Propagation delay times



B port to A port

Propagation delay times

Figure 7. Voltage Waveforms

- A. All control inputs are LVTTTL levels.
- B. C_L includes probe and jig capacitance.
- C. All input pulses are supplied by generators having the following characteristics: $PRR \leq 10\text{ MHz}$, $Z_O = 50\ \Omega$, $t_r \leq 2.5\text{ ns}$, $t_f \leq 2.5\text{ ns}$.
- D. The outputs are measured one at a time, with one transition per measurement.

Application Information

Application Overview

The FXGL2014 is a 4-channel translating transceiver designed for 3.3-V LVTTTL system interface with a GTL-/GTL/GTL+ bus, where GTL-/GTL/GTL+ refers to the reference voltage of the GTL bus and the input/output voltage thresholds associated with it.

The direction pin allows the part to function as either a GTL-to-LVTTTL sampling receiver or as a LVTTTL-to-GTL interface.

The FXGL2014 performs translation in two directions. One direction is GTL-/GTL/GTL+ to LVTTTL when DIR is tied to GND. With appropriate V_{REF} set up, the GTL input can be compliant with GTL-/GTL/GTL+. Another direction is LVTTTL to GTL-/GTL/GTL+ when DIR is tied to VCC. 3.6 V tolerance on the GTL output allows the GTL outputs to pull up to any voltage level under 3.6 V.

Feature Description

5 V Tolerance on LVTTTL Input

The FXGL2014 LVTTTL inputs (only) are tolerant up to 5.5 V and allow direct access to TTL or 5 V CMOS inputs. The LVTTTL outputs are not 5.5 V tolerant.

3.6 V Tolerance on GTL Input / Output

The FXGL2014 GTL inputs and outputs operate up to 3.6 V, allowing the device to be used in higher voltage open-drain output applications.

Ultra-Low V_{REF} and High Bandwidth

FXGL2014's V_{REF} tracks down to 0.5 V for low voltage CPUs with excellent propagation delay performance. This feature allows the FXGL2014 to support high data rates with the GTL- bus.

Under-Voltage Lockout (UVLO)

Under-voltage lockout circuit is integrated internal. This feature makes sure the data transferred effectively when power unstable.

Typical Application

GTL-/GTL/GTL+ to LVTTTL

Select appropriate V_{TT}/V_{REF} based upon GTL-/GTL/GTL+. The parameters in Recommended Operating Conditions are compliant to the GTL specification.

The FXGL2014 requires industrial standard LVTTTL and GTL inputs. The design example in the Application Information shows standard voltage level and typical resistor values.

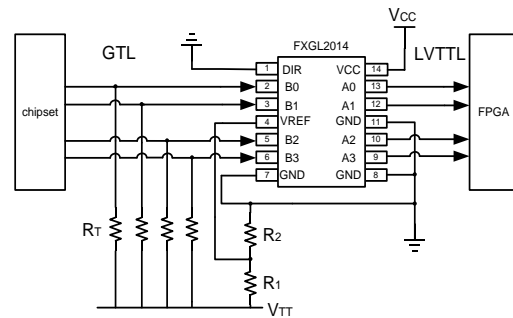


Figure 8. Application Diagram for GTL to LVTTTL

Table 1. Application Table for GTL to LVTTTL

	Port B to Port A
	GTL to LVTTTL
VCC	3.3 V
VREF	$2 \cdot V_{TT} / 3$
VTT	1.0 V
DIR	GND
RT	75 Ω
R1	49.9 Ω
R2	100 Ω

LVTTTL to GTL-/GTL/GTL+

Because GTL is an open-drain interface, the selection of the pull-up resistor depends on the application requirement (for example, data rate) and PCB trace capacitance.

The FXGL2014 requires industrial standard LVTTTL and GTL inputs. The design example in the Application Information section show standard voltage level and typical resistor values.

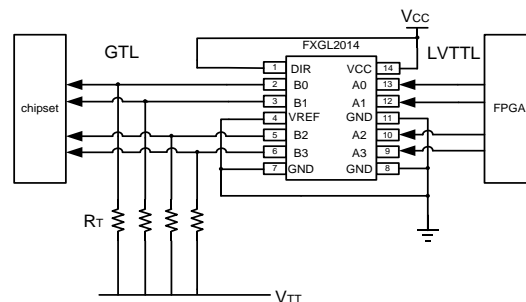


Figure 9. Application Diagram for LVTTTL to GTL

Table 2. Application Table for LVTTTL to GTL

	Port A to Port B
	LVTTTL to GTL
VCC	3.3 V
VREF	GND
VTT	1.0 V
DIR	GND
RT	75 Ω
R1	Not Available
R2	Not Available



NOTES:

- A. CONFORMS TO JEDEC REGISTRATION MO-153, VARIATION AB, REF NOTE 6
- B. DIMENSIONS ARE IN MILLIMETERS.
- C. DIMENSIONS ARE EXCLUSIVE OF BURRS, MOLD FLASH, AND TIE BAR EXTRUSIONS
- D. DIMENSIONING AND TOLERANCES PER ANSI Y14.5M, 2009.
- E. LANDPATTERN STANDARD: SOP65P640X110-14M.
- F. DRAWING FILE NAME: MKT-MTC14rev7.



ON Semiconductor and  are trademarks of Semiconductor Components Industries, LLC dba ON Semiconductor or its subsidiaries in the United States and/or other countries. ON Semiconductor owns the rights to a number of patents, trademarks, copyrights, trade secrets, and other intellectual property. A listing of ON Semiconductor's product/patent coverage may be accessed at www.onsemi.com/site/pdf/Patent-Marking.pdf. ON Semiconductor reserves the right to make changes without further notice to any products herein. ON Semiconductor makes no warranty, representation or guarantee regarding the suitability of its products for any particular purpose, nor does ON Semiconductor assume any liability arising out of the application or use of any product or circuit, and specifically disclaims any and all liability, including without limitation special, consequential or incidental damages. Buyer is responsible for its products and applications using ON Semiconductor products, including compliance with all laws, regulations and safety requirements or standards, regardless of any support or applications information provided by ON Semiconductor. "Typical" parameters which may be provided in ON Semiconductor data sheets and/or specifications can and do vary in different applications and actual performance may vary over time. All operating parameters, including "Typicals" must be validated for each customer application by customer's technical experts. ON Semiconductor does not convey any license under its patent rights nor the rights of others. ON Semiconductor products are not designed, intended, or authorized for use as a critical component in life support systems or any FDA Class 3 medical devices or medical devices with a same or similar classification in a foreign jurisdiction or any devices intended for implantation in the human body. Should Buyer purchase or use ON Semiconductor products for any such unintended or unauthorized application, Buyer shall indemnify and hold ON Semiconductor and its officers, employees, subsidiaries, affiliates, and distributors harmless against all claims, costs, damages, and expenses, and reasonable attorney fees arising out of, directly or indirectly, any claim of personal injury or death associated with such unintended or unauthorized use, even if such claim alleges that ON Semiconductor was negligent regarding the design or manufacture of the part. ON Semiconductor is an Equal Opportunity/Affirmative Action Employer. This literature is subject to all applicable copyright laws and is not for resale in any manner.

PUBLICATION ORDERING INFORMATION

LITERATURE FULFILLMENT:

Literature Distribution Center for ON Semiconductor
19521 E. 32nd Pkwy, Aurora, Colorado 80011 USA
Phone: 303-675-2175 or 800-344-3860 Toll Free USA/Canada
Fax: 303-675-2176 or 800-344-3867 Toll Free USA/Canada
Email: orderlit@onsemi.com

N. American Technical Support: 800-282-9855 Toll Free
USA/Canada
Europe, Middle East and Africa Technical Support:
Phone: 421 33 790 2910
Japan Customer Focus Center
Phone: 81-3-5817-1050

ON Semiconductor Website: www.onsemi.com
Order Literature: <http://www.onsemi.com/orderlit>
For additional information, please contact your local
Sales Representative

Mouser Electronics

Authorized Distributor

Click to View Pricing, Inventory, Delivery & Lifecycle Information:

[ON Semiconductor:](#)

[FXGL2014MTCX](#)



Компания «ЭлектроПласт» предлагает заключение долгосрочных отношений при поставках импортных электронных компонентов на взаимовыгодных условиях!

Наши преимущества:

- Оперативные поставки широкого спектра электронных компонентов отечественного и импортного производства напрямую от производителей и с крупнейших мировых складов;
- Поставка более 17-ти миллионов наименований электронных компонентов;
- Поставка сложных, дефицитных, либо снятых с производства позиций;
- Оперативные сроки поставки под заказ (от 5 рабочих дней);
- Экспресс доставка в любую точку России;
- Техническая поддержка проекта, помощь в подборе аналогов, поставка прототипов;
- Система менеджмента качества сертифицирована по Международному стандарту ISO 9001;
- Лицензия ФСБ на осуществление работ с использованием сведений, составляющих государственную тайну;
- Поставка специализированных компонентов (Xilinx, Altera, Analog Devices, Intersil, Interpoint, Microsemi, Aeroflex, Peregrine, Syfer, Eurofarad, Texas Instrument, Miteq, Cobham, E2V, MA-COM, Hittite, Mini-Circuits, General Dynamics и др.);

Помимо этого, одним из направлений компании «ЭлектроПласт» является направление «Источники питания». Мы предлагаем Вам помощь Конструкторского отдела:

- Подбор оптимального решения, техническое обоснование при выборе компонента;
- Подбор аналогов;
- Консультации по применению компонента;
- Поставка образцов и прототипов;
- Техническая поддержка проекта;
- Защита от снятия компонента с производства.



Как с нами связаться

Телефон: 8 (812) 309 58 32 (многоканальный)

Факс: 8 (812) 320-02-42

Электронная почта: org@eplast1.ru

Адрес: 198099, г. Санкт-Петербург, ул. Калинина, дом 2, корпус 4, литера А.