

# DATA SHEET

## TRANSIENT VOLTAGE SUPPRESSORS

### AC/DC POWER SUPPLY

30KPA series

RoHS compliant & Halogen free



Product specification— April 29, 2019 V.0



## Transient Voltage Suppressors (TVS) Data Sheet

### Features

- Glass passivated junction
- Low inductance
- Excellent clamping capability
- 30000W peak pulse power capability at 10/1000 $\mu$ s waveform, repetition rate (duty cycle): 0.05%
- Fast response time
- Typical  $I_R$  less than 2 $\mu$ A above 40V.
- High Temperature soldering guaranteed: 265 $^{\circ}$ C/10 seconds/.375", (9.5mm) lead length, 5lbs (2.3kg) tension
- Plastic package has underwriters laboratory flammability 94V-0
- Meets MSL level 1, per J-STD-020
- Safety certification: UL: E244458



### Mechanical Data

- Case: Moulded plastic over glass passivated junction
- Terminal: Plated Axial leads, solderable per MIL-STD-750, Method 2026
- Polarity: Color band denotes cathode except bi-directional models
- Mounting Position: Any
- Weight: 2.46g

### Applications

- I/O interface
- AC/DC power supply
- Low frequency signal transmission line (RS232, RS485, etc.)

### Maximum Ratings and Characteristics

Ratings at 25 $^{\circ}$ C ambient temperature unless otherwise specified.

| Rating  | Symbol          | Value         | Units          |
|---|-----------------|---------------|----------------|
| Peak pulse power dissipation at 10/1000 $\mu$ s waveform (Note1, Fig.1)   | $P_{PPM}$       | Minimum 30000 | Watts          |
| Peak pulse current of at 10/1000 $\mu$ s waveform (Note 1, Fig.3)   | $I_{PPM}$       | See Table     | Amps           |
| Steady state power dissipation at $T_L=75^{\circ}$ C (Fig.5)  | $P_{M(AV)}$     | 8.0           | Watts          |
| Peak forward surge current, 8.3ms single half sine-wave superimposed on rated load, (JEDEC Method) (Note2, Fig.6) | $I_{FSM}$       | 400           | Amps           |
| Operating junction and Storage Temperature Range.   | $T_J, T_{STG}$  | -55 to +175   | $^{\circ}$ C   |
| Typical thermal resistance junction to lead   | $R_{\theta JL}$ | 8             | $^{\circ}$ C/W |
| Typical thermal resistance junction to ambient  | $R_{\theta JA}$ | 40            | $^{\circ}$ C/W |

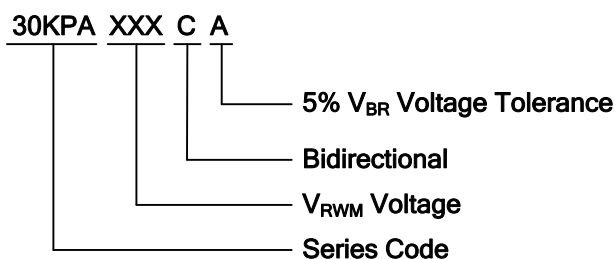
Notes: 1. Non-repetitive current pulse, per Fig.3 and derated above  $T_A=25^{\circ}$ C per Fig.2.

2. 8.3ms single half sine-wave, or equivalent square wave, duty cycle=4 pulses per minutes maximum.

**Dimensions (P600)**

|   | Symbol | Millimeters |       | Inches |      |
|---|--------|-------------|-------|--------|------|
|   |        | Min.        | Max.  | Min.   | Max. |
| L | 25.40  | -           | 1.000 | -      |      |
| T | 8.60   | 9.10        | 0.340 | 0.360  |      |
| d | 8.60   | 9.10        | 0.340 | 0.360  |      |
| s | 1.19   | 1.32        | 0.047 | 0.052  |      |

**Part Number Code**



**Ordering Code for different package**

Box package: Add suffix “/B” at the end of the part number, such as 30KPA75A/B

Reel package: Add suffix “/TR13” at the end of the part number, such as 30KPA160CA/TR13

**Electrical Characteristics ( $T_A=25^{\circ}C$ )**

| Part Number    |               | Reverse Stand-Off Voltage | Breakdown Voltage @ $I_T$ | Test Current | Maximum Clamping Voltage @ $I_{PP}$ | Peak Pulse Current | Reverse Leakage @ $V_{RWM}$ |
|----------------|---------------|---------------------------|---------------------------|--------------|-------------------------------------|--------------------|-----------------------------|
| Unidirectional | Bidirectional | $V_{RWM}(V)$              | $V_{BR}(V)$               | $I_T(mA)$    | $V_C(V)$                            | $I_{PP}(A)$        | $I_R(\mu A)$                |
| 30KPA28A       | 30KPA28CA     | 28.0                      | 31.28~34.57               | 50           | 50.0                                | 606.0              | 5000                        |
| 30KPA30A       | 30KPA30CA     | 30.0                      | 33.51~37.04               | 50           | 55.2                                | 548.9              | 5000                        |
| 30KPA33A       | 30KPA33CA     | 33.0                      | 36.90~40.78               | 50           | 58.5                                | 517.9              | 5000                        |
| 30KPA36A       | 30KPA36CA     | 36.0                      | 40.20~44.43               | 50           | 61.8                                | 490.3              | 5000                        |
| 30KPA39A       | 30KPA39CA     | 39.0                      | 43.60~48.19               | 20           | 67.2                                | 450.9              | 2000                        |
| 30KPA42A       | 30KPA42CA     | 42.0                      | 46.90~51.84               | 10           | 72.0                                | 420.8              | 1000                        |
| 30KPA43A       | 30KPA43CA     | 43.0                      | 48.00~53.05               | 10           | 73.0                                | 415.1              | 1000                        |
| 30KPA45A       | 30KPA45CA     | 45.0                      | 50.30~55.59               | 5            | 77.4                                | 391.5              | 250                         |
| 30KPA48A       | 30KPA48CA     | 48.0                      | 53.60~59.24               | 5            | 81.6                                | 371.3              | 150                         |
| 30KPA51A       | 30KPA51CA     | 51.0                      | 57.00~63.00               | 5            | 86.4                                | 350.7              | 50                          |
| 30KPA54A       | 30KPA54CA     | 54.0                      | 60.30~66.65               | 5            | 91.4                                | 331.5              | 20                          |
| 30KPA58A       | 30KPA58CA     | 58.0                      | 64.80~71.62               | 5            | 92.4                                | 327.9              | 20                          |

## Transient Voltage Suppressors

30KPA

| Part Number    |               | Reverse Stand-Off Voltage | Breakdown Voltage @ $I_T$ | Test Current | Maximum Clamping Voltage @ $I_{PP}$ | Peak Pulse Current | Reverse Leakage @ $V_{RWM}$ |
|----------------|---------------|---------------------------|---------------------------|--------------|-------------------------------------|--------------------|-----------------------------|
| Unidirectional | Bidirectional | $V_{RWM}(V)$              | $V_{BR}(V)$               | $I_T(mA)$    | $V_C(V)$                            | $I_{PP}(A)$        | $I_R(\mu A)$                |
| 30KPA60A       | 30KPA60CA     | 60.0                      | 67.00~74.05               | 5            | 102.0                               | 297.1              | 15                          |
| 30KPA64A       | 30KPA64CA     | 64.0                      | 71.50~79.03               | 5            | 104.0                               | 291.3              | 10                          |
| 30KPA66A       | 30KPA66CA     | 66.0                      | 73.70~81.46               | 5            | 107.0                               | 283.2              | 2                           |
| 30KPA70A       | 30KPA70CA     | 70.0                      | 78.20~86.43               | 5            | 109.0                               | 278.0              | 2                           |
| 30KPA71A       | 30KPA71CA     | 71.0                      | 79.30~87.65               | 5            | 111.5                               | 271.7              | 2                           |
| 30KPA72A       | 30KPA72CA     | 72.0                      | 80.40~88.86               | 5            | 114.0                               | 265.8              | 2                           |
| 30KPA75A       | 30KPA75CA     | 75.0                      | 83.80~92.62               | 5            | 119.4                               | 253.8              | 2                           |
| 30KPA78A       | 30KPA78CA     | 78.0                      | 87.10~96.27               | 5            | 129.0                               | 234.9              | 2                           |
| 30KPA84A       | 30KPA84CA     | 84.0                      | 93.80~103.67              | 5            | 139.2                               | 217.7              | 2                           |
| 30KPA90A       | 30KPA90CA     | 90.0                      | 100.50~111.08             | 5            | 146.4                               | 207.0              | 2                           |
| 30KPA96A       | 30KPA96CA     | 96.0                      | 107.20~118.48             | 5            | 156.0                               | 194.2              | 2                           |
| 30KPA102A      | 30KPA102CA    | 102.0                     | 113.90~125.89             | 5            | 165.6                               | 183.0              | 2                           |
| 30KPA108A      | 30KPA108CA    | 108.0                     | 120.60~133.29             | 5            | 175.2                               | 172.9              | 2                           |
| 30KPA120A      | 30KPA120CA    | 120.0                     | 134.00~148.11             | 5            | 194.4                               | 155.9              | 2                           |
| 30KPA132A      | 30KPA132CA    | 132.0                     | 147.40~162.92             | 5            | 213.0                               | 142.3              | 2                           |
| 30KPA144A      | 30KPA144CA    | 144.0                     | 160.80~177.73             | 5            | 223.2                               | 135.8              | 2                           |
| 30KPA150A      | 30KPA150CA    | 150.0                     | 167.60~185.24             | 5            | 233.4                               | 129.8              | 2                           |
| 30KPA156A      | 30KPA156CA    | 156.0                     | 174.30~192.65             | 5            | 245.0                               | 123.7              | 2                           |
| 30KPA160A      | 30KPA160CA    | 160.0                     | 178.70~197.51             | 5            | 252.6                               | 120.0              | 2                           |
| 30KPA168A      | 30KPA168CA    | 168.0                     | 187.70~207.46             | 5            | 272.4                               | 111.2              | 2                           |
| 30KPA170A      | 30KPA170CA    | 170.0                     | 189.90~209.89             | 5            | 275.0                               | 110.2              | 2                           |
| 30KPA180A      | 30KPA180CA    | 180.0                     | 201.10~222.27             | 5            | 290.4                               | 104.3              | 2                           |
| 30KPA198A      | 30KPA198CA    | 198.0                     | 221.20~244.48             | 5            | 319.8                               | 94.7               | 2                           |
| 30KPA216A      | 30KPA216CA    | 216.0                     | 241.30~266.70             | 5            | 348.6                               | 86.9               | 2                           |
| 30KPA240A      | 30KPA240CA    | 240.0                     | 268.10~296.32             | 5            | 387.0                               | 78.3               | 2                           |
| 30KPA258A      | 30KPA258CA    | 258.0                     | 288.20~318.54             | 5            | 416.4                               | 72.8               | 2                           |
| 30KPA260A      | 30KPA260CA    | 260.0                     | 290.40~320.97             | 5            | 416.0                               | 72.8               | 2                           |
| 30KPA270A      | 30KPA270CA    | 270.0                     | 301.60~333.35             | 5            | 436.2                               | 69.5               | 2                           |
| 30KPA280A      | 30KPA280CA    | 280.0                     | 312.80~345.73             | 5            | 464.0                               | 65.3               | 2                           |
| 30KPA288A      | 30KPA288CA    | 288.0                     | 321.70~355.56             | 5            | 469.9                               | 64.5               | 2                           |

Notes: For bidirectional type having  $V_{RWM}$  of 60V and less, the  $I_R$  limit is double.

**Ratings and Characteristic Curves ( $T_A=25^\circ\text{C}$  unless otherwise noted)**

Figure 1. Peak Pulse Power Rating Curve

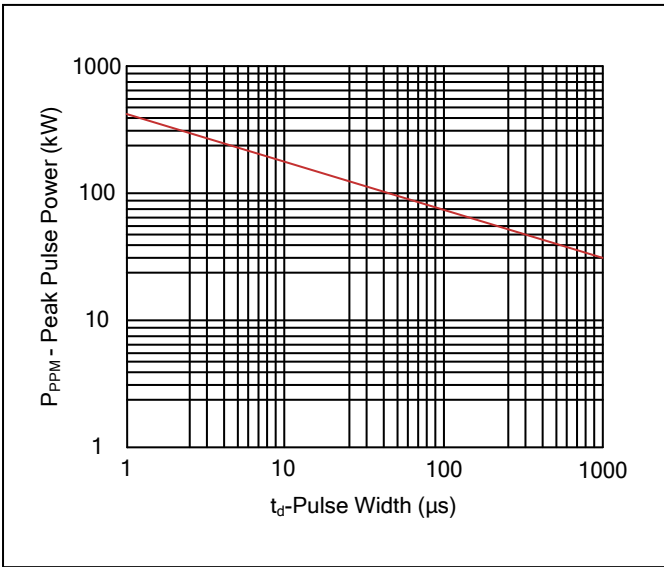


Figure 2. Pulse Derating Curve

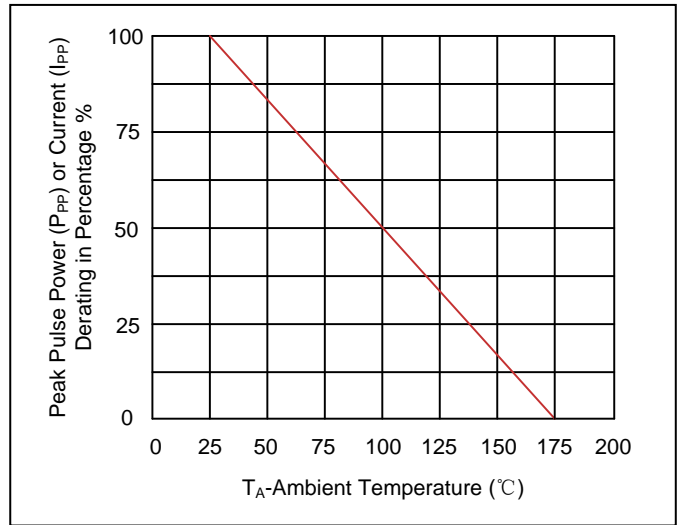


Figure 3. Pulse Waveform

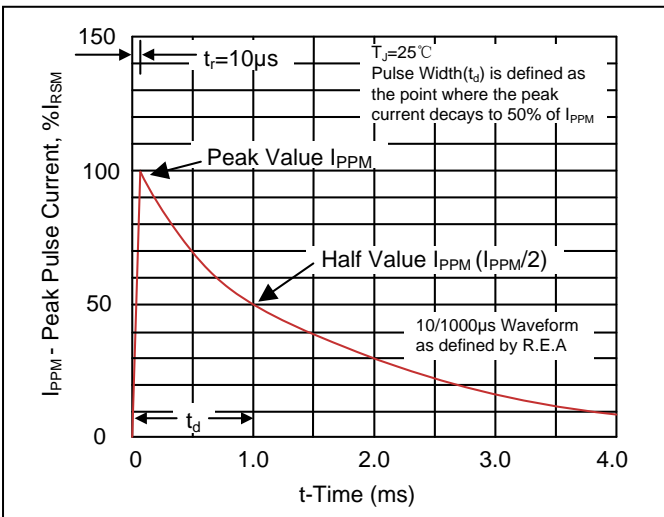


Figure 4. AC Line Protection Application

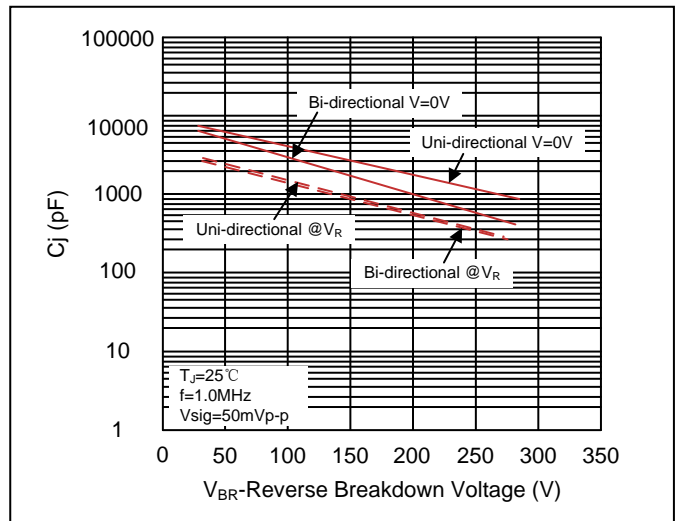


Figure 5. Steady State Power Dissipation Derating Curve

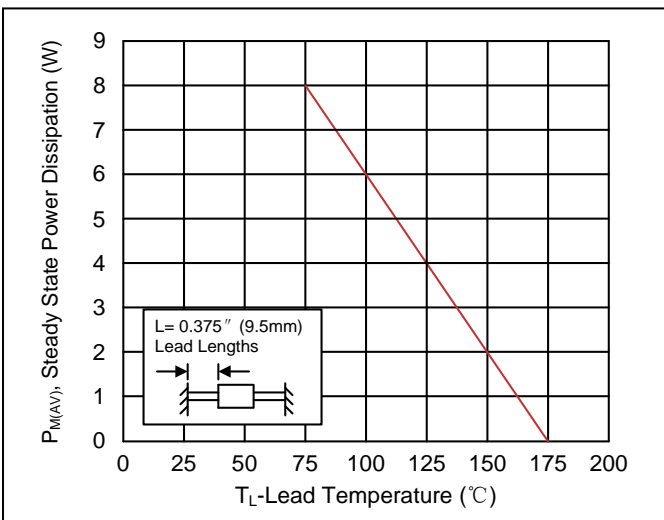
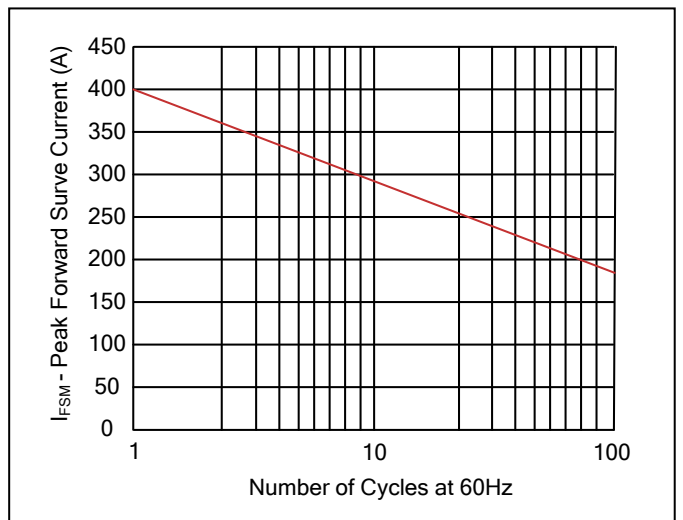
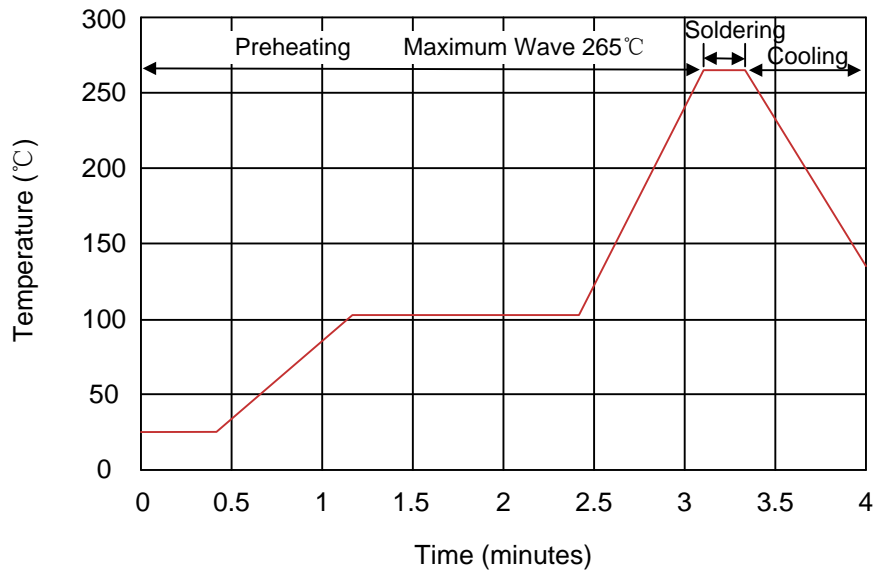


Figure 6. Maximum Non-Repetitive Forward Surge Current Uni-Directional Only



### Recommended Soldering Conditions

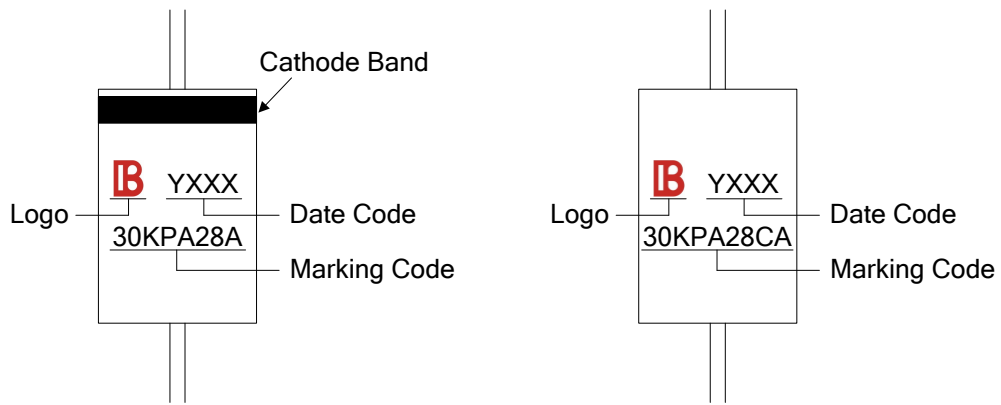
#### Wave Soldering



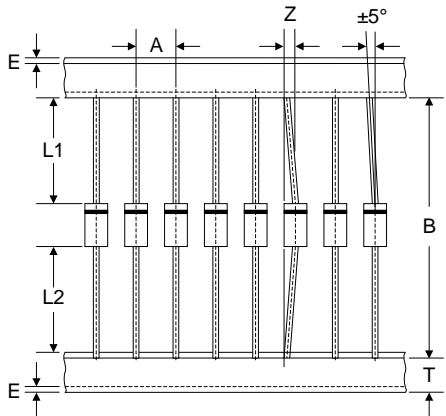
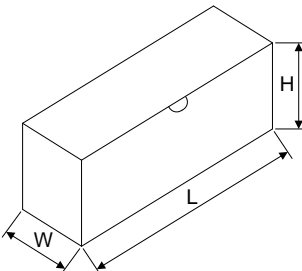
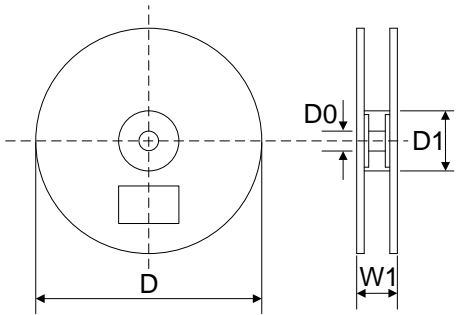
#### Recommended Conditions

| Item             | Conditions |
|------------------|------------|
| Peak Temperature | 265°C      |
| Dipping Time     | 10 seconds |
| Soldering        | 1 time     |

### Marking Code



**Packaging**

| Tape  | Symbol Dimension (mm) |           |
|---|-----------------------|-----------|
|    | A                     | 10.0±0.5  |
|   | B                     | 53.0±1.0  |
|   | Z                     | 1.2Max.   |
|   | T                     | 6.0±0.4   |
|   | E                     | 0.8Max.   |
|   | L1-L2                 | 1.0Max.   |
|   | L                     | 250.0±5.0 |
|   | W                     | 75.0±5.0  |
|   | H                     | 114.0±5.0 |
|   | Quantity: 300PCS      |           |
|  | D                     | 330.0±3.0 |
|   | D0                    | 16.4±2.0  |
|   | D1                    | 86.0±2.0  |
|   | W1                    | 76.0±3.0  |
|   | Quantity: 800PCS      |           |



Компания «ЭлектроПласт» предлагает заключение долгосрочных отношений при поставках импортных электронных компонентов на взаимовыгодных условиях!

Наши преимущества:

- Оперативные поставки широкого спектра электронных компонентов отечественного и импортного производства напрямую от производителей и с крупнейших мировых складов;
- Поставка более 17-ти миллионов наименований электронных компонентов;
- Поставка сложных, дефицитных, либо снятых с производства позиций;
- Оперативные сроки поставки под заказ (от 5 рабочих дней);
- Экспресс доставка в любую точку России;
- Техническая поддержка проекта, помощь в подборе аналогов, поставка прототипов;
- Система менеджмента качества сертифицирована по Международному стандарту ISO 9001;
- Лицензия ФСБ на осуществление работ с использованием сведений, составляющих государственную тайну;
- Поставка специализированных компонентов (Xilinx, Altera, Analog Devices, Intersil, Interpoint, Microsemi, Aeroflex, Peregrine, Syfer, Eurofarad, Texas Instrument, Miteq, Cobham, E2V, MA-COM, Hittite, Mini-Circuits, General Dynamics и др.);

Помимо этого, одним из направлений компании «ЭлектроПласт» является направление «Источники питания». Мы предлагаем Вам помощь Конструкторского отдела:

- Подбор оптимального решения, техническое обоснование при выборе компонента;
- Подбор аналогов;
- Консультации по применению компонента;
- Поставка образцов и прототипов;
- Техническая поддержка проекта;
- Защита от снятия компонента с производства.



#### Как с нами связаться

**Телефон:** 8 (812) 309 58 32 (многоканальный)

**Факс:** 8 (812) 320-02-42

**Электронная почта:** [org@eplast1.ru](mailto:org@eplast1.ru)

**Адрес:** 198099, г. Санкт-Петербург, ул. Калинина, дом 2, корпус 4, литера А.