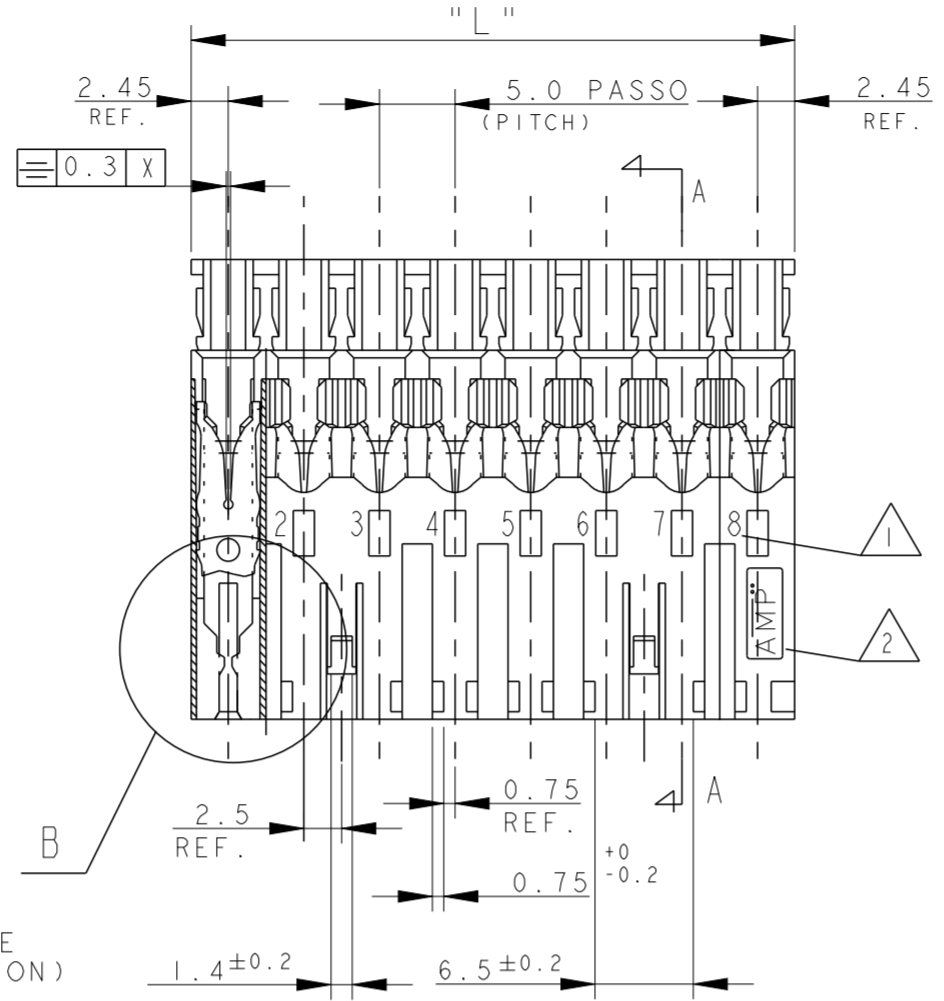
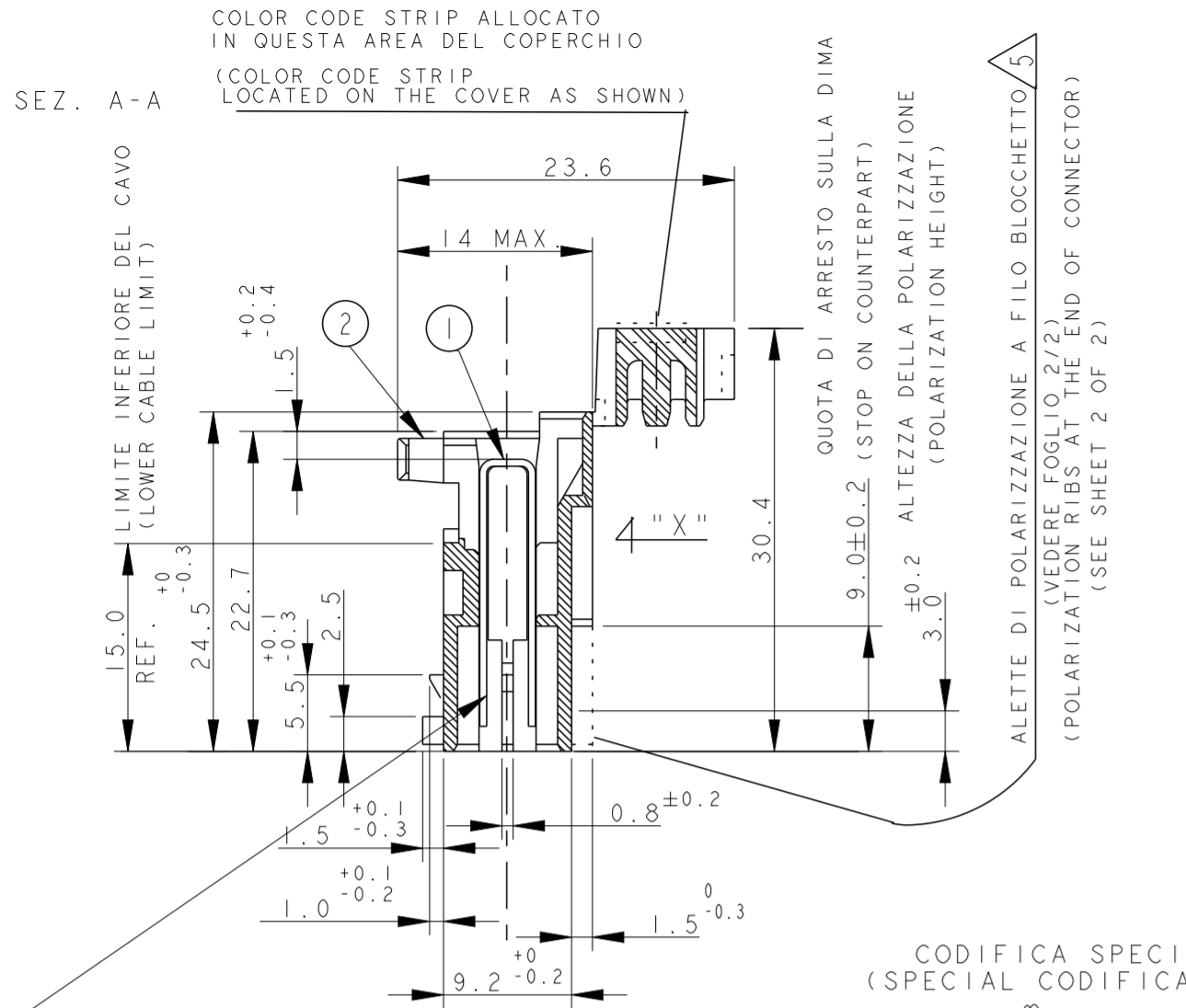
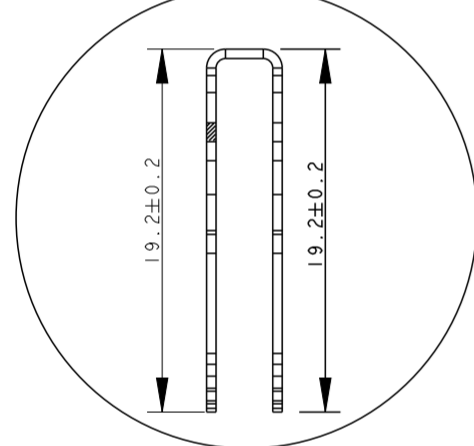


REVISIONS				LOC	DIST
P	LTR	DESCRIPTION	DATE	DWN	APVD
AA23	ECR-17-008698		16 JUN 2017	IZ	RR
AA24	ECR-17-010648		31 JUL 2017	JP	RR
AA25	REVISED PER ECR-17-018373		21 DEC 2017	AL	RR
AA26	REVISED PER ECR-18-001816		12 FEB 2018	AL	RR

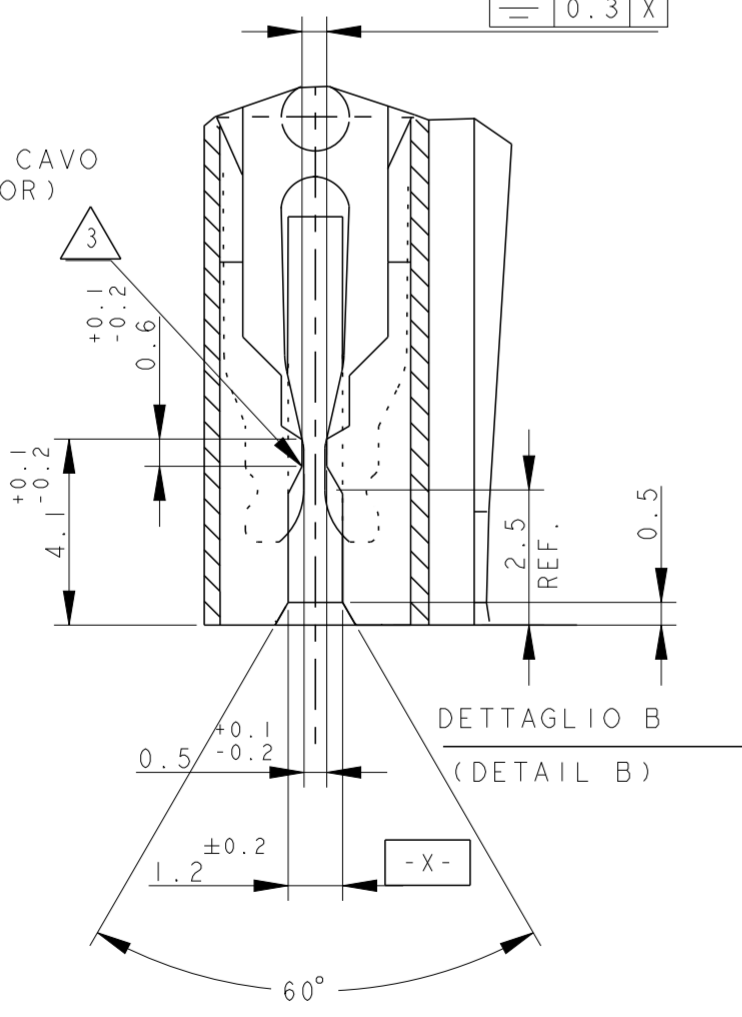
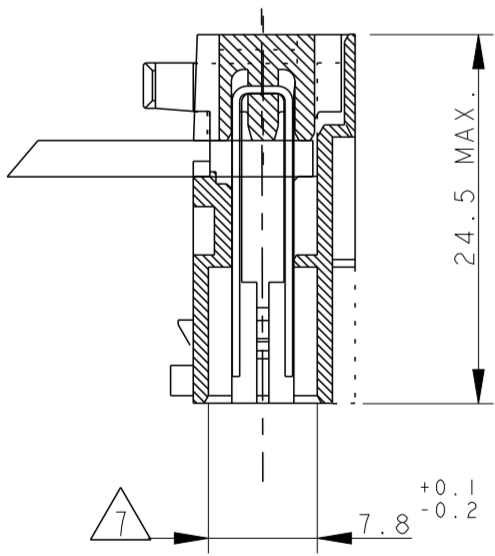
VISTE SOLO PER RIFERIMENTO
 VIEWS ONLY FOR REFERENCE



DETTAGLIO DEL CONTATTO, DIMENSIONI RIFERITE AL COMPONENTE INSERITO IN CAVITÀ (ENLARGED VIEW OF TAB CONTACT DIM. REFERRED TO CONTACT INSERTED IN THE HOUSING CAVITY)



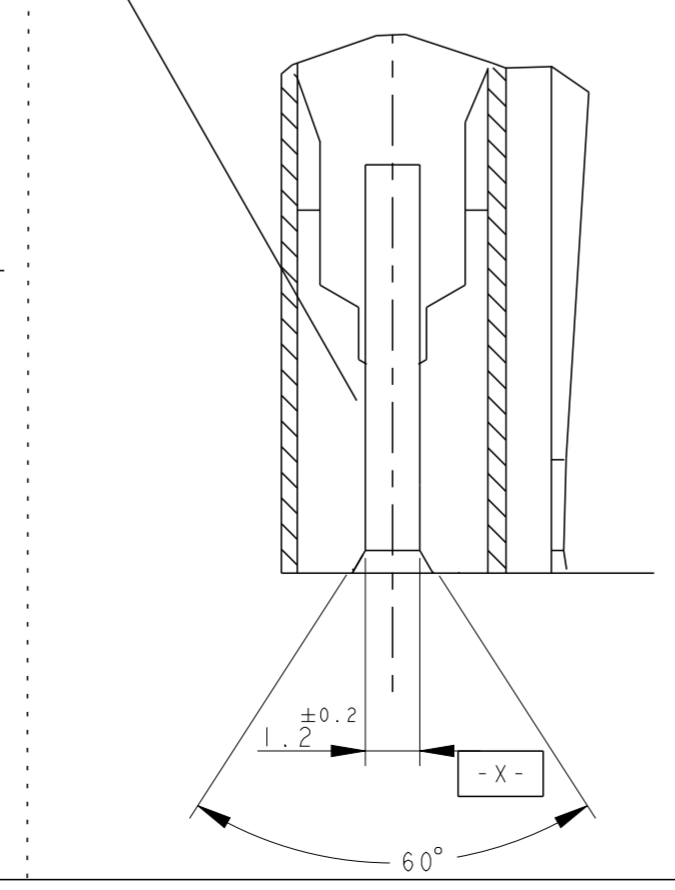
CONNETTORE COMPLETO DI CAVO (TERMINATED CONNECTOR)



DETAIL PN/s:
 1-282006-3
 2-282006-3
 3-282006-3

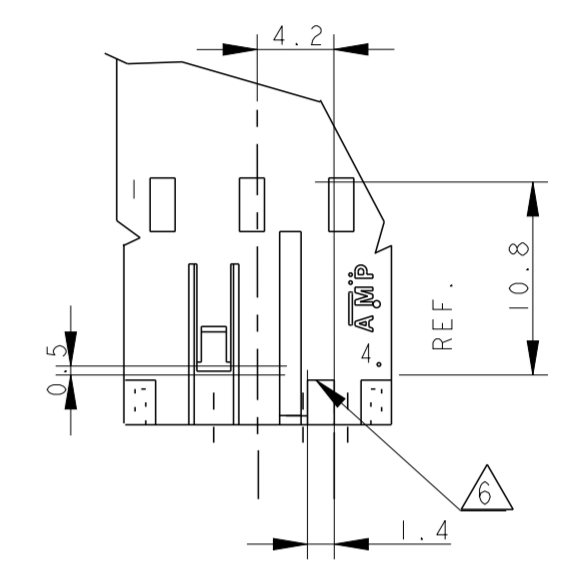
POLARIZATION KEYS (VIEW FROM "X")

PN X-282002-8
 PN I-2293382-2
 (DETAIL "B" FOR CAVITY 1 & 2)



- NOTE/NOTES:
- 1 NUMERI DI IDENTIFICAZIONE CAVITÀ (CIRCUIT IDENTIFICATION)
 - 2 MARCHIO DI FABBRICA LIBERA POSIZIONE (AMP LOGO FREE POSITION)
 - 3 RETENTION TOOTH IS REQUESTED FOR THE 2 AND 3 POS. ONLY
 - 4 PERTE PRELIMINARE, NON ANCORA IN PRODUZIONE (PRELIMINARY PART, NOT YET RELEASED FOR PRODUCTION)
 - 5 PER QUESTI P/N LA POLARIZZAZIONE POSTERIORE DEVE INTENDERSI COMPLETA, A FINE BLOCCETTO (FOR THE INDICATE P/N THE POLARIZATION MUST BE AT THE END OF CONNECTOR (see sheet 2 of 2))
 - 6 CODIFICA CON DIFFERENTE DIMENSIONE (CODIFICATION WITH DIFFERENT DIMENSION)
 - 7 BECOMES 6.5 FOR BOTH CAVITIES ON THE 2 POS., ON CAVITY N.1 AND N.3 ON THE 3 POS. AND ON CAVITY N.1 ON THE 4 POS. CONNECTOR
 - 8 INCLUDE LA POLARIZZAZIONE DOVE E' ESISTENTE (INCLUDING POLARIZATION KEY, WHEN EXISTING)
 - 9 DETAIL FOR PN X-282002-8 AND PN I-2293382-2, SPECIAL VERSION, SEE ALSO NOTE 3
 - 10 P/N NON RILASCIATO PER LA PRODUZIONE (P/N NOT YET RELEASED FOR PRODUCTION)
 - 11 ---
 - 12 GEOMETRIA ALTERNATIVA DEL DENTINO DI AGGANCIAMENTO VEDI NOTA 3 PER ALTRI DETTAGGI (ALTERNATIVE SHAPE FOR RETENTION TOOTH, SEE NOTE 3 FOR ADDITIONAL DETAILS)
 - 13 STATO DI FORNITURA: CONFEZIONAMENTO IN "VASSOI + SCATOLA" (PACKAGING: "ON TRAY PLUS CARTON BOX")
 - 14 CONFEZIONAMENTO IN BOBINA OBSOLETO (PACKAGING: ON REEL OBSOLETE)
 - 15 OBSOLETE PARTS: OBSOLETE CIS STREAMLINING PER D.RENAUD/D.SINISI
 - 16 THE DESIRED POLARIZATION CAN BE OBTAINED BY THE TERMINATION MACHINE
 - 17 EXCEPTION MADE FOR PN X-282002-8, PN I-2293382-2, 3-282002-4 AND 6-282002-4 FOR THIS PN CAVITY 1 IS WITHOUT RETENTION TOOTH AND HAS THE SAME DESIGN AS THE CAVITY N.2

DETAIL FOR PN 0-282233-2 ONLY



ITEM	DENOMINAZIONE (DESCRIPTION)	FINITURA / COLORE (FINISH / COLOUR)	MATERIALE (MATERIAL)
2	BLOCCETTO (HOUSING)	NATURALE (NATURAL)	PA 6.6 CARICATO VETRO (POLIAMIDE 6.6 GLASSFIBER FILLED)
1	CONTATTO (CONTACT)	STAGNATO (TIN-PLATED)	OTTONE (BRASS)
			MATERIALE (MATERIAL)

DIAM. ISOLANTE (INS. DIA. RANGE) 3,0 max.
 RANGO FILO (WIRE RANGE) 0.5-1.5mm2

THIS DRAWING IS A CONTROLLED DOCUMENT.

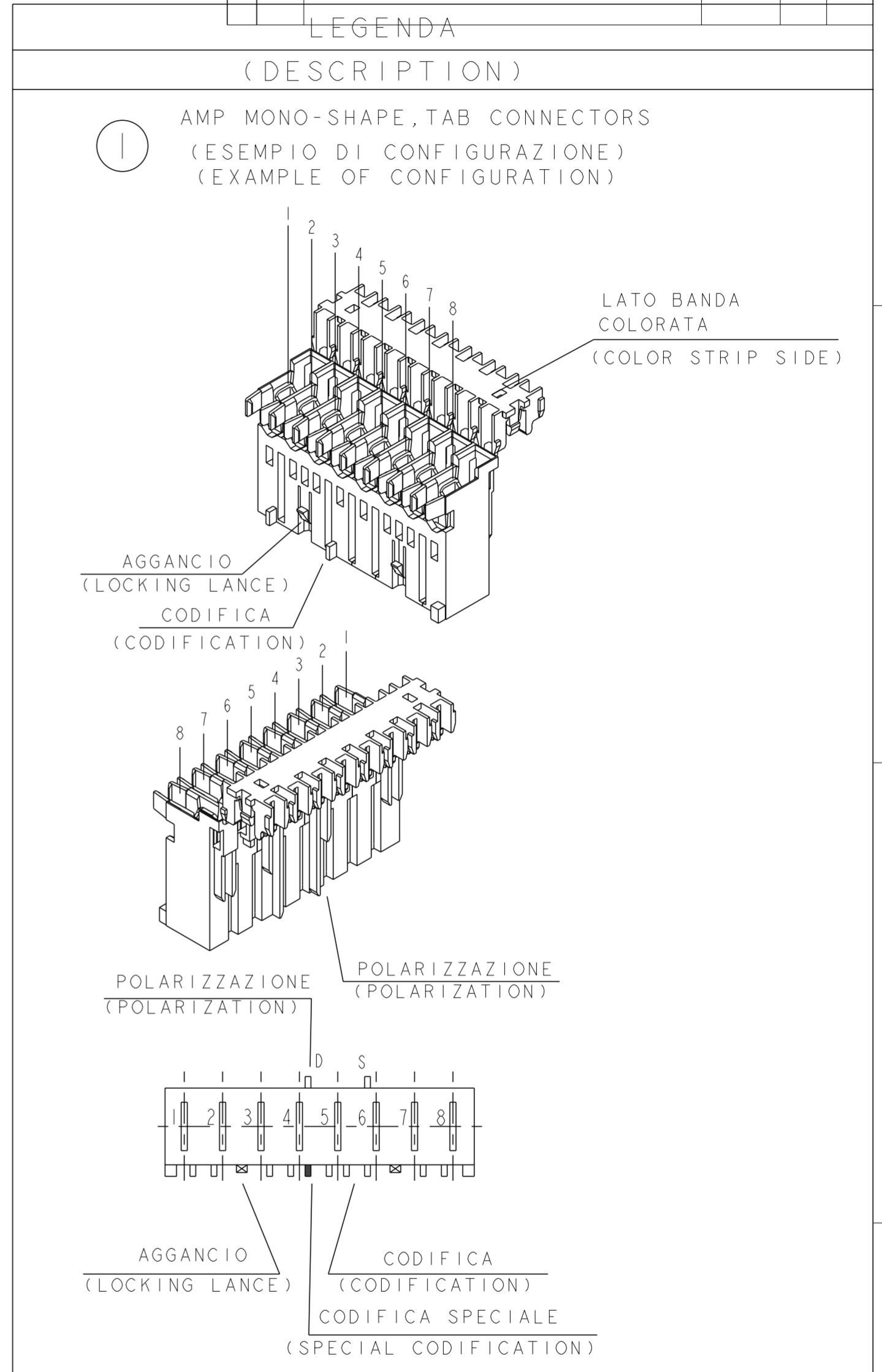
DWN G. ENDRIZZI	23 JUL 1995	 TE Connectivity MONO-SHAPE MK1 TAB CONNECTORS 2-10 POS.	SIZE	CAGE CODE	DRAWING NO	RESTRICTED TO
CHK G. TURCO	23 JUL 1995		A2	p0779	C-282002	-
APVD G. TURCO	23 JUL 1995		SCALE	SHEET	OF	REV
PRODUCT SPEC	108-20065-1, 108-20065-2		-	1	6	AA26
APPLICATION SPEC	114-20016, 114-20016-1		Customer Drawing	-	-	-

Customer Drawing

THIS DRAWING IS UNPUBLISHED. RELEASED FOR PUBLICATION
 © COPYRIGHT 2011 ALL RIGHTS RESERVED.

LOC		DIST		REVISIONS			
P	LTR	DESCRIPTION	DATE	DWN	APVD		
		SEE SHEET 1					
		VISTE SOLO PER RIFERIMENTO					
		VIEWS ONLY FOR REFERENCE					

NUMERO DI VIE	CONFIGURAZIONE (Vista connettore dall'alto) ①	TE PART NUMBER ASSY CONN.				POSIZIONE POLARIZ. (LATO POSTERIORE)	POSIZIONE AGGANCIO (LATO ANTERIORE)	POSIZIONE CODIFICA SPECIALE (LATO ANTERIORE)	L +0.2 -0.3 (mm) ⑧	NOTE MARCHIATURA CON BANDA COLORATA	POSSIBILE RAST 5 POLARIZ. ①⑥
		VERSIONE PEZZI IN VASSOIO	VERSIONE PEZZI SCIOLTI	TRAY PACKAGING VERSION	PART REV						
NO OF POS	CONFIGURATION (View from top side) ①	TRAY PACKAGING VERSION	PART REV	LOOSE PIECES PACKAGING VERSION	PART REV	POLARIZ. POSITION (BACK SIDE)	LOCKING POSITION (FRONT SIDE)	SPECIAL COD. POSITION (FRONT SIDE)	L +0.2 -0.3 (mm)	NOTE STRIP COLOUR	POSSIBLE RAST 5 POLARIZ.
2		1-282002-1	V	2-282002-1	V	2S ⑤	1-2	-	9.9	NERO BLACK	02-C
2		1-282002-2	V	2-282002-2	V	1S	1-2	-	9.9	GRIGIO GREY	02-B 02-E 02-F
2		1-282002-3	V	2-282002-3	V	2D	1-2	-	9.9	ROSSO RED	02-L
2		1-282002-4	V	2-282002-4	V	1D ⑤ 2S ⑤	1-2	-	9.9	BLU BLUE	02-A
2		1-282002-5	V	2-282002-5	V	1D	1-2	-	9.9	NERO BLACK	02-Q
2		1-282002-6	V	2-282002-6	V	-	1-2	-	9.9	NERO BLACK	-
2		1-282002-7	V	2-282002-7	V	-	1-2	-	9.9	-	-
2		1-282002-8	V	2-282002-8	V	1S 2D	1-2	-	9.9	VERDE GREEN	02-B 02-E 02-F
2		2-282002-9	I	-	-	1D 2D	1-2	-	9.9	-	-
2		3-282002-0	I	-	-	1S 1D	1-2	-	9.9	-	-
2		3-282002-4	I	-	-	1D ⑤ 2S ⑤	1-2	-	9.9	-	02-A
2		5-282002-4	I	-	-	1S 2D	1-2	-	9.9	YELLOW	02-B 02-E 02-F
2		6-282002-0	I	-	-	1S ⑤ 2S ⑤	1-2	-	9.9	RED	-
3		1-282003-1	V	2-282003-1	V	1D	1-2	-	14.9	ARANCIO ORANGE	03-A 03-I
3		1-282003-2	V	2-282003-2	V	2D 3D	2-3	-	14.9	BLU BLUE	03-B
3		1-282003-3	V	2-282003-3	V	1S 3D	1-2	-	14.9	VERDE GREEN	03-F
3		1-282003-4	V	2-282003-4	V	2D 3D	2-3	-	14.9	ROSSO RED	03-B
3		1-282003-5	V	2-282003-5	V	2D 3D	2-3	-	14.9	GRIGIO GREY	03-B
3		1-282003-6	V	2-282003-6	V	-	1-2	-	14.9	VIOLA VIOLET	-
3		1-282003-7	V	-	-	2D 3D	2-3	-	14.9	NERO BLACK	03-B
3		3-282003-3	I	-	-	1S 1D	1-2	-	14.9	-	-
3		3-282003-4	I	-	-	1S - 2S 2D - 3S	1-2	-	14.9	-	-
3		3-282003-5	I	-	-	1S 3D	2-3	-	14.9	-	-
3		3-282003-6	I	-	-	1S - 1D 2S - 2D	1-2	-	14.9	-	-
3		0-282233-2	V	2-282233-2	V	1S ⑤	1-2	-	14.9	-	03-D
3		1-284396-1	Z	-	-	2S	2-3	-	14.9	NERO BLACK	-



THIS DRAWING IS A CONTROLLED DOCUMENT.		DWN G. ENDRIZZI 23 JUL 1995		TE Connectivity	
DIMENSIONS: mm		CHK G. TURCO 23 JUL 1995		NAME	
TOLERANCES UNLESS OTHERWISE SPECIFIED: 0 PLC ± 0.3		APVD G. TURCO 23 JUL 1995	MONO-SHAPE MK1 TAB CONNECTORS 2-10 POS.		
MATERIAL SEE TABLE		PRODUCT SPEC 108-20065-1, 108-20065-2	SIZE	CAGE CODE	DRAWING NO
SEE TABLE		APPLICATION SPEC 114-20016, 114-20016-1	A20779	G-282002	RESTRICTED TO
SEE TABLE		WEIGHT	SCALE	SHEET 2 OF 6	REV AA26

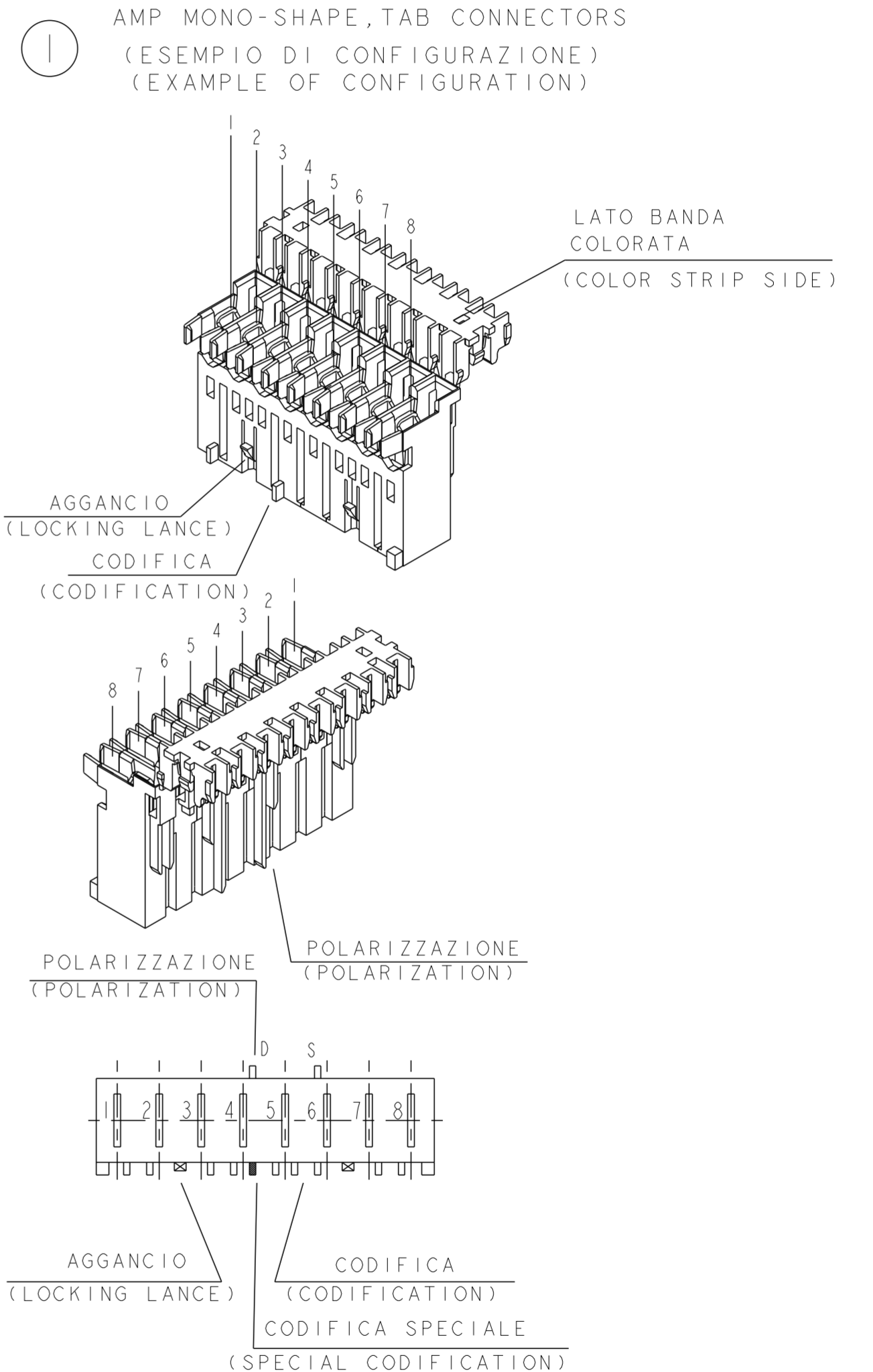
THIS DRAWING IS UNPUBLISHED. RELEASED FOR PUBLICATION
 © COPYRIGHT 2011 ALL RIGHTS RESERVED.

LOC		DIST		REVISIONS			
P	LTR	DESCRIPTION	DATE	DWN	APVD		
		SEE SHEET 1					

VISTE SOLO PER RIFERIMENTO
 VIEWS ONLY FOR REFERENCE

NUMERO DI VIE	CONFIGURAZIONE (Vista connettore dall'alto)	TE PART NUMBER ASSY CONN.		POSIZIONE POLARIZ. (LATO POSTERIORE)	POSIZIONE AGGANCIO (LATO ANTERIORE)	POSIZIONE CODIFICA SPECIALE (LATO ANTERIORE)	L +0.2 -0.3 (mm)	NOTE MARCHIATURA CON BANDA COLORATA	POSSIBLE RAST 5 POLARIZ.		
		VERSIONE PEZZI IN VASSOIO	VERSIONE PEZZI SCIOLTI								
NO OF POS	CONFIGURATION (View from top side)	TRAY PACKAGING VERSION	PART REV	LOOSE PIECES PACKAGING VERSION	PART REV	POLARIZ. POSITION (BACK SIDE)	LOCKING POSITION (FRONT SIDE)	SPECIAL COD. POSITION (FRONT SIDE)	L +0.2 -0.3 (mm)	NOTE STRIP COLOUR	POSSIBLE RAST 5 POLARIZ.
4		1-282004-1	V	2-282004-1	V	1D	1-2	2D	19.9	GRIGIO GREY	04-A
4		1-282004-2	V	2-282004-2	V	3D	2-3	-	19.9	NERO BLACK	04-D
4		1-282004-3	V	2-282004-3	V	1D	1-2	2D	19.9	ROSSO RED	04-A
4		1-282004-4	S	-	-	3D	1-2	-	19.9	BLU BLUE	-
4		3-282004-4	AA	-	-	4D	3-4	-	19.9	-	04-A
4		4-282004-4	I	-	-	1S-1D-2S-2D 3S-3D-4S-4D AS-BD-CS-DD	1-2	-	19.9	-	-
5		1-282005-1	V	2-282005-1	V	4D	4-5	-	24.9	ROSSO RED	-
5		1-284545-1	Z	-	-	2S	4-5	-	24.9	ROSSO RED	-
5		1-284545-2	A	-	-	1S	-	3D	24.9	-	-
5		1-284545-3	A	-	-	5D	3-4	-	24.9	BLU BLUE	-
5		1-293003-5	Z	-	-	-	4-5	-	24.9	NERO BLACK	-
6		1-282006-2	V	2-282006-2	V	2S	2-3	-	29.9	VIOLA VIOLET	-
6		1-282006-3	V	2-282006-3	V	5D	-	-	29.9	-	-
6		2-282006-4	V	-	-	2S - 3D 4D - 5D	4-5	-	29.9	-	-
6		1-284745-1	Z	-	-	3D	-	5S	29.9	NERO BLACK	-
6		1-284745-2	I	-	-	5D	4-5	-	29.9	ROSSO RED	-
6		1-284745-3	I	-	-	6D	-	4D	29.9	RED	-
6		1-284745-4	I	-	-	5D	3-4	-	29.9	VIOLET	-
6		1-284745-4	I	-	-	1S	2-3	-	29.9	ORANGE	-
7		1-282007-1	V	2-282007-1	V	1D	1-2	3S	34.9	-	-
7		2-282007-2	V	-	-	5D	5-6	-	34.9	-	-
7		2-282007-3	I	-	-	4D	-	6S	34.9	VIOLA VIOLET	-
7		2-282007-3	I	-	-	6D	-	-	34.9	-	-
7		3-282007-2	AA	-	-	1S - 2S - 2D 3S - 3D - 4D 5S - 6S - 6D 7S - 7D	1-2	5S	34.9	-	-
7		1-284397-1	Z	-	-	-	1-2	-	34.9	NERO BLACK	-
7		1-293004-7	Z	-	-	2D	1-2	-	34.9	ROSSO RED	-
7		2-293004-7	I	-	-	-	1-2	-	34.9	GRIGIO GREY	-
8		0-284085-1	V	2-284085-1	V	2D - 6S	-	4S	39.9	-	-
8		0-284085-2	V	2-284085-2	V	4D - 6D	2-3	-	39.9	VIOLA VIOLET	-

LEGENDA
 (DESCRIPTION)



THIS DRAWING IS A CONTROLLED DOCUMENT.

DIMENSIONS: mm	TOLERANCES UNLESS OTHERWISE SPECIFIED: 0 PLC ±0.1, 1 PLC ±0.2, 2 PLC ±0.3, 3 PLC ±0.4, 4 PLC ±0.5, 5 PLC ±0.6, 6 PLC ±0.7, 7 PLC ±0.8, 8 PLC ±0.9	DWN: G. ENDRIZZI 23 JUL 1995	TE Connectivity MONO-SHAPE MK1 TAB CONNECTORS 2-10 POS.
MATERIAL: SEE TABLE	FINISH: SEE TABLE	CHK: G. TURCO 23 JUL 1995	
		APVD: G. TURCO 23 JUL 1995	
		PRODUCT SPEC: 108-20065-1, 108-20065-2	NAME: MONO-SHAPE MK1 TAB CONNECTORS 2-10 POS.
		APPLICATION SPEC: 114-20016, 114-20016-1	SIZE: A2
		WEIGHT: --	CAGE CODE: 0779
		Customer Drawing	DRAWING NO: C-282002
		SCALE: -	RESTRICTED TO: -
		SHEET 3 OF 6	REV: AA26

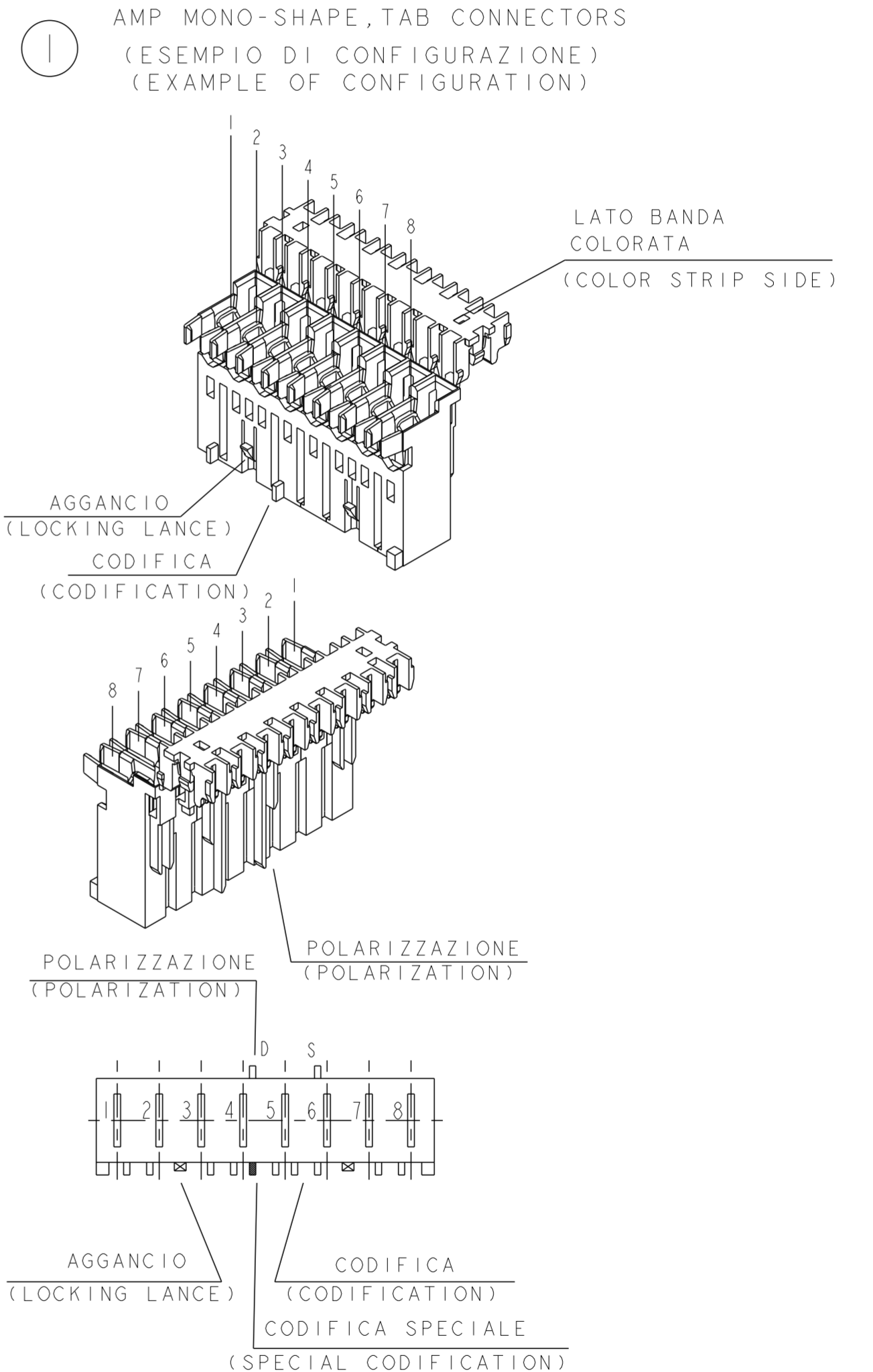
THIS DRAWING IS UNPUBLISHED. RELEASED FOR PUBLICATION
 © COPYRIGHT 2011 ALL RIGHTS RESERVED.

LOC	DIST	REVISIONS			
P	LTR	DESCRIPTION	DATE	DWN	APVD
-	-	SEE SHEET 1			

NUMERO DI VIE	CONFIGURAZIONE (Vista connettore dall'alto)	TE PART NUMBER ASSY CONN.				POSIZIONE POLARIZ. (LATO POSTERIORE)	POSIZIONE AGGANCIO (LATO ANTERIORE)	POSIZIONE CODIFICA SPECIALE (LATO ANTERIORE)	L +0.2 L -0.3 (mm)	NOTE MARCHIATURA CON BANDA COLORATA
		VERSIONE PEZZI IN VASSOIO	TRAY PACKAGING VERSION	PART REV	LOOSE PIECES PACKAGING VERSION					
10		1-282010-1	V	2-282010-1	V	6D 8S	4-5 8-9	6S	49.9	-
10		0-284004-1	V	-	-	6D 8S	4-5 8-9	6S	49.9	-

VISTE SOLO PER RIFERIMENTO
 VIEWS ONLY FOR REFERENCE

LEGENDA
 (DESCRIPTION)



THIS DRAWING IS A CONTROLLED DOCUMENT.		DWN G. ENDRIZZI 23 JUL 1995	TE Connectivity	
DIMENSIONS: mm		CHK G. TURCO 23 JUL 1995		
TOLERANCES UNLESS OTHERWISE SPECIFIED:		APVD G. TURCO 23 JUL 1995	NAME MONO-SHAPE MK1 TAB CONNECTORS 2-10 POS.	
0 PLC ±		PRODUCT SPEC 108-20065-1, 108-20065-2	SIZE CAGE CODE DRAWING NO RESTRICTED TO	
1 PLC ± > 0.3		APPLICATION SPEC 114-20016, 114-20016-1	A200779 C-282002	
2 PLC ±		WEIGHT --	SCALE - SHEET 4 OF 6 REV AA26	
3 PLC ±		MATERIAL FINISH	Customer Drawing	
4 PLC ±				
ANGLES ±				
SEE TABLE		SEE TABLE		

THIS DRAWING IS UNPUBLISHED. RELEASED FOR PUBLICATION
 © COPYRIGHT 2011 ALL RIGHTS RESERVED.

LOC		DIST		REVISIONS			
P	LTR	DESCRIPTION	DATE	DWN	APVD		
		SEE SHEET 1					

PA GF, UL-VO GWPT 750° C NO FLAME, NATURAL

No. of POS.	CONFIGURATION ONLY FOR REF	ON TRAY		LOOSE PIECES		SEE SHEET 1 FOR ADDITIONAL DETAILS AND NOTES					POSSIBLE RAST 5 POLARIZ.
		P/N ASS'Y	PART REV.	P/N ASS'Y	PART REV.	POLARIZ. POSITION (BACK SIDE)	LOCKING POSITION (FRONT SIDE)	SPECIAL CODIFICAT. POSITION (FRONT SIDE)	L (mm)	COLOR CODE	
2		2293382-2	AA			1S 2D	1-2	-	9.9		02-B 02-E 02-F
2		1-2293382-2	AA			1S 2D	1-2		9.9	GREEN	02-B 02-E 02-F
	2					1D 2D	1-2	-	9.9		
2		3-2293382-2	AA			1D 2S	1-2	-	9.9	BLUE	02-A
	2					1S 1D	1-2	-	9.9		
	2					1S 2D	1-2	-	9.9	GREY	02-B 02-E 02-F
3		2293382-3	AA			2S	2-3	-	14.9		
3		1-2293382-3	AA			-	1-2	-	14.9	VIOLET	-
3		2-2293382-3	AA			1D	1-2	-	14.9	ORANGE	03-A 03-1
	3					1S 1D	1-2	-	14.9		
	3					1D 2S 2D 3S	1-2	-	14.9		
	3					1S 3D	2-3	-	14.9		
3		6-2293382-3	AA			1S 1D 2S 2D	1-2	-	14.9		
	3					1S 3D	1-2		14.9	GREEN	03-F
4		2293382-4	AA			1D	1-2 3-4	2D	19.9	GREY	04-A
4		1-2293382-4	AA			1S 4D	1-2 3-4	-	19.9		
	4					TBD	TBD	TBD	19.9		
5		2293382-5	AA			-	4-5	-	24.9		
	6					TBD	TBD	TBD	29.9		



THIS DRAWING IS A CONTROLLED DOCUMENT.		DWN G. ENDRIZZI 23 JUL 1995	TE Connectivity MONO-SHAPE MK1 TAB CONNECTORS 2-10 POS.
DIMENSIONS: mm		CHK G. TURCO 23 JUL 1995	
TOLERANCES UNLESS OTHERWISE SPECIFIED: 0 PLC ± 1 PLC ± 2 PLC ± 3 PLC ± 4 PLC ± ANGLES ±		APVD G. TURCO 23 JUL 1995	
MATERIAL SEE TABLE		PRODUCT SPEC 108-20065-1, 108-20065-2 APPLICATION SPEC 114-20016, 114-20016-1	
FINISH SEE TABLE		WEIGHT --	RESTRICTED TO -
Customer Drawing		SCALE -	SHEET 5 OF 6 REV AA26

THIS DRAWING IS UNPUBLISHED. RELEASED FOR PUBLICATION
 © COPYRIGHT 2011 ALL RIGHTS RESERVED.

LOC		DIST		REVISIONS			
P	LTR	DESCRIPTION	DATE	DWN	APVD		
		SEE SHEET 1					

PA GF, UL-V0 GWEPT 750° C NO FLAME, NATURAL

No. of POS.	CONFIGURATION ONLY FOR REF	ON TRAY		LOOSE PIECES		SEE SHEET 1 FOR ADDITIONAL DETAILS AND NOTES					
		P/N ASS'Y	PART REV.	P/N ASS'Y	PART REV.	POLARIZ. POSITION (BACK SIDE)	LOCKING POSITION (FRONT SIDE)	SPECIAL CODIFICAT. POSITION (FRONT SIDE)	L (mm)	COLOR CODE	POSSIBLE RAST 5 POLARIZ.
7		2293382-7	1			-	1-2 5-6	-	34.9		
7		2-2293382-7	1			1S 2S 2D 3S 3D 4D 5S 6S 6D 7S 7D	1-2 5-6		34.9		
8		2293382-8	1			TBD	TBD	TBD	39.9		
9		2293382-9	1			TBD	TBD	TBD	44.9		
10		1-2293382-0	1			6D 8S	4-5 8-9	6S	49.9		

THIS DRAWING IS A CONTROLLED DOCUMENT.		DWN G. ENDRIZZI 23 JUL 1995	TE Connectivity MONO-SHAPE MK1 TAB CONNECTORS 2-10 POS.			
DIMENSIONS: mm		CHK G. TURCO 23 JUL 1995			NAME	
		APVD G. TURCO 23 JUL 1995			RESTRICTED TO	
		PRODUCT SPEC 108-20065-1, 108-20065-2				
MATERIAL		APPLICATION SPEC 114-20016, 114-20016-1	SIZE A200779	CAGE CODE C-282002	DRAWING NO -282002	RESTRICTED TO
SEE TABLE		FINISH	WEIGHT	SCALE	SHEET 6 OF 6	REV AA26



Компания «ЭлектроПласт» предлагает заключение долгосрочных отношений при поставках импортных электронных компонентов на взаимовыгодных условиях!

Наши преимущества:

- Оперативные поставки широкого спектра электронных компонентов отечественного и импортного производства напрямую от производителей и с крупнейших мировых складов;
- Поставка более 17-ти миллионов наименований электронных компонентов;
- Поставка сложных, дефицитных, либо снятых с производства позиций;
- Оперативные сроки поставки под заказ (от 5 рабочих дней);
- Экспресс доставка в любую точку России;
- Техническая поддержка проекта, помощь в подборе аналогов, поставка прототипов;
- Система менеджмента качества сертифицирована по Международному стандарту ISO 9001;
- Лицензия ФСБ на осуществление работ с использованием сведений, составляющих государственную тайну;
- Поставка специализированных компонентов (Xilinx, Altera, Analog Devices, Intersil, Interpoint, Microsemi, Aeroflex, Peregrine, Syfer, Eurofarad, Texas Instrument, Miteq, Cobham, E2V, MA-COM, Hittite, Mini-Circuits, General Dynamics и др.);

Помимо этого, одним из направлений компании «ЭлектроПласт» является направление «Источники питания». Мы предлагаем Вам помощь Конструкторского отдела:

- Подбор оптимального решения, техническое обоснование при выборе компонента;
- Подбор аналогов;
- Консультации по применению компонента;
- Поставка образцов и прототипов;
- Техническая поддержка проекта;
- Защита от снятия компонента с производства.



Как с нами связаться

Телефон: 8 (812) 309 58 32 (многоканальный)

Факс: 8 (812) 320-02-42

Электронная почта: org@eplast1.ru

Адрес: 198099, г. Санкт-Петербург, ул. Калинина, дом 2, корпус 4, литера А.