

**THIS PRODUCT MANUFACTURED WITH LEAD-FREE PROCESSING**

DO NOT SCALE FROM THIS PRINT

**DESIGNED & DIMENSIONED IN MILLIMETERS [INCHES]**

SCRES-X-XX.XX-XX-C5E

PLATING SPECIFICATION  
-G: .000050" GOLD ON CONTACT AREAS, NICKEL ON SHELLS

END OPTION  
-D: DOUBLE ENDED (ONE END SEALED) (SEE FIG.1, SHT. 1)  
-BC: BLUNT CUT (SEE FIG.2, SHT. 2)

LENGTH  
-XX.XX (IN METERS)  
(0.17M MIN - 50.00M MAX)

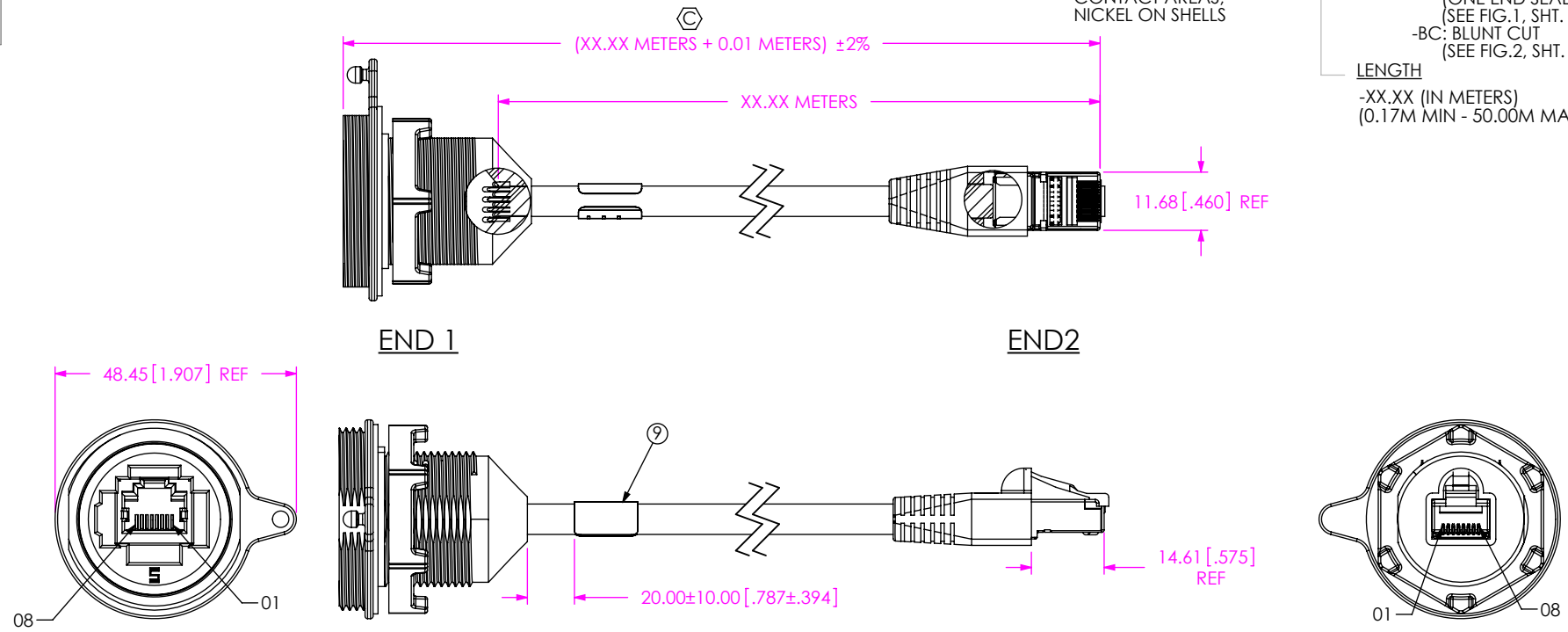


FIG 1  
SCRES-G-XX.XX-D-C5E

SCRES-G-XX.XX-D-C5E BOM			
ITEM NO.	PART NUMBER	QTY	DESCRIPTION
1	ECA-02-02	XX.X	CABLE
2	MODS-A-8P8C-E-01-S-C5	1	CONNECTOR
3	PCB-101555-01	1	PCB
4	MD-PTC-RF-640-BK	1	PREMOLD
5	MD-NYL-ZY-80G14-BK	1	OVERMOLD
6	OR-17-01	1	O-RING
7	SPG-17-01	1	GASKET
8	SPN-17-01	1	NUT
9	LABEL-ET	1	LABEL
10	ETHB-02	1	ETHERNET BOOT
11	MODP-01-8P8C-S-01	1	CONNECTOR

NOTES:

1.  $\text{C}$  REPRESENTS A CRITICAL DIMENSION.
2. ASSEMBLY TO BE 100% TESTED TO CAT5e USING FLUKE DTX-1800 CABLE ANALYZER, AFTER FINAL ELECTRICAL TEST, LABELED. FOR BLUNT CUT OPTION, A LABEL WILL BE BE APPLIED TO BOTH ENDS.
3. NOTE DELETED.
4. PANEL THICKNESS: 0.8[.03] - 5.2[.20].
5. PANEL NUT TORQUE SPECIFICATION: 12 IN-LB.
6. PART MUST SCREW INTO SAMTEC PART # SCN-17-01.
7. PART MUST SCREW INTO SAMTEC PART # SPN-17-01.
8. FLAT REQUIRED AT PARTING LINE OF CAMS TO AVOID DRAGGING THREADS.
9. NOTE DELETED.
10. ALL IDENTIFICATION MARKS MUST NOT STAND GREATER THAN 0.051 [.002] OFF THE SURFACE OF THE PART.
11. MOLD TO BE INSERTED TO ACCEPT DIFFERENT CABLE DIAMETERS.
12. ALL EJECTOR PIN AND GATE LOCATIONS MUST BE APPROVED BY SAMTEC PRODUCT ENGINEERING.
13. ANY ADDITIONAL VOIDING AND/OR MODIFICATIONS TO VOIDING MUST BE APPROVED BY SAMTEC PRODUCT ENGINEERING.
14. SAMTEC LOGO SHALL APPEAR ON SURFACE SHOWN, APPROXIMATELY 1.88 X 3.00.
15. COMPONENTS OF ASSEMBLY TO BE INSPECTED USING COMPONENT PRINTS.
16. ASSEMBLY TO BE PACKAGED IN BULK.
17. NOTE DELETED.

UNLESS OTHERWISE SPECIFIED, DIMENSIONS ARE IN MILLIMETERS.  
TOLERANCES ARE:  
DECIMALS ANGLES  
X.X: ±0.35[.014] 2°  
X.XX: ±0.25[.010]  
X.XXX: ±0.15[.0060]

PROPRIETARY NOTE  
THIS DOCUMENT CONTAINS CONFIDENTIAL AND PROPRIETARY INFORMATION AND ALL DESIGN, MANUFACTURING, REPRODUCTION, USE, PATENT RIGHTS AND SALES RIGHTS ARE EXPRESSLY RESERVED BY SAMTEC, INC. THIS DOCUMENT SHALL NOT BE DISCLOSED, IN WHOLE OR PART, TO ANY UNAUTHORIZED PERSON OR ENTITY NOR REPRODUCED, TRANSFERRED OR INCORPORATED IN ANY OTHER PROJECT IN ANY MANNER WITHOUT THE EXPRESS WRITTEN CONSENT OF SAMTEC, INC.

520 PARK EAST BLVD, NEW ALBANY, IN 47150  
PHONE: 812-944-6733 FAX: 812-948-5047  
e-Mail: info@SAMTEC.com code: 55322

MATERIAL: DO NOT SCALE DRAWING SHEET SCALE: 1:1.53846  
CABLE: PVC, COPPER  
CONNECTOR: PBT, COPPER ALLOY  
O-RING: SILICONE  
PCB: FR4, COPPER  
OVERMOLD, NUT: NYLON  
PREMOLD: TPE  
F:\DWG\MISC\MKTG\SCRES-X-XX.XX-XX-C5E-MKT.SLDDRW

DESCRIPTION:  
SEALED CIRCULAR RECEPTACLE, ETHERNET  
DWG. NO.  
**SCRES-X-XX.XX-XX-C5E**  
BY: CHADP 3/17/2009 SHEET 1 OF 6

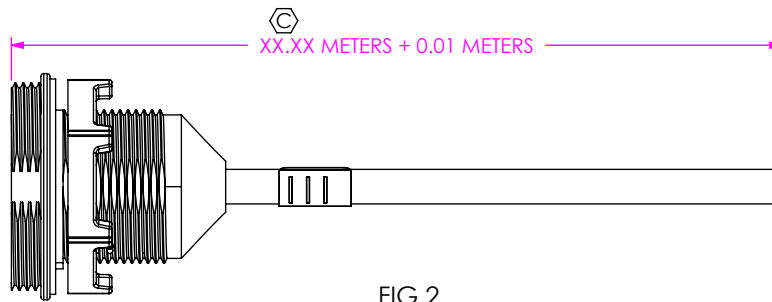
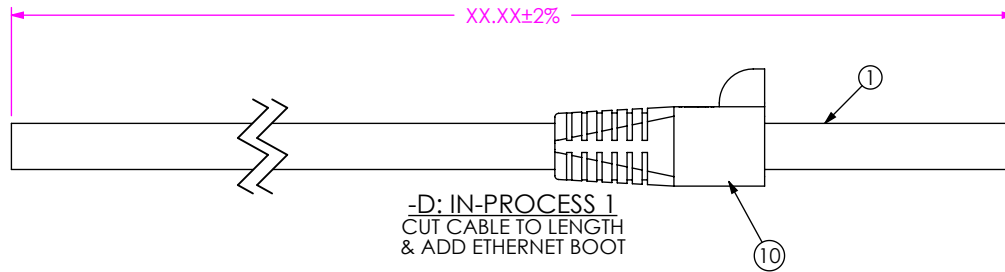
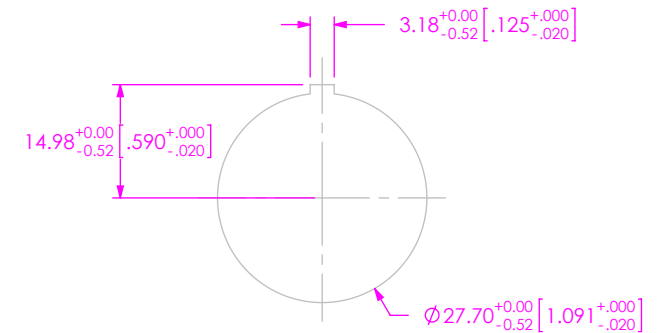


FIG 2  
SCRES-G-XX.XX-BC-C5E  
(SAME AS FIG 1 UNLESS OTHERWISE STATED)

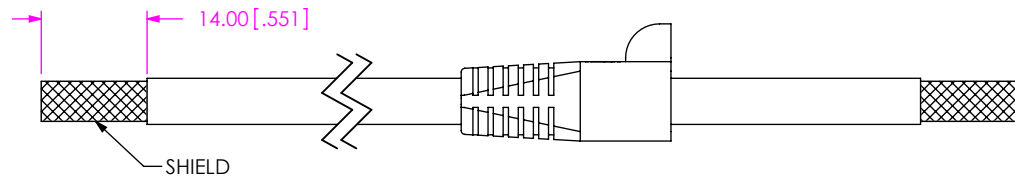
SCRES-G-XX.XX-BC-C5E BOM			
ITEM NO.	PART NUMBER	QTY	DESCRIPTION
1	ECA-02-02	XX.X	CABLE
2	MODS-A-8P8C-E-01-S-C5	1	CONNECTOR
3	PCB-101555-01	1	PCB
4	MD-PTC-RF-640-BK	1	PREMOLD
5	MD-NYL-ZY-80G14-BK	1	OVERMOLD
6	OR-17-01	1	O-RING
7	SPG-17-01	1	GASKET
8	SPN-17-01	1	NUT
9	LABEL-ET	1	LABEL



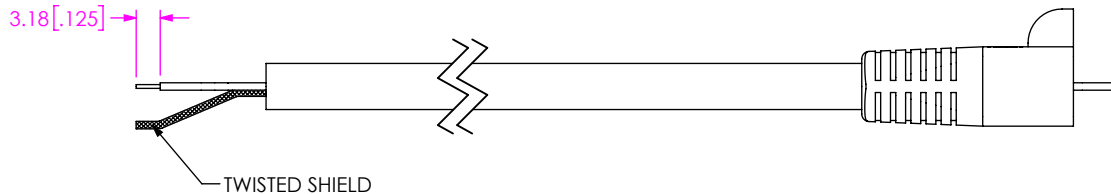
-D: IN-PROCESS 1  
CUT CABLE TO LENGTH  
& ADD ETHERNET BOOT



RECOMMENDED PANEL HOLE  
(SEE NOTE 4)



-D: IN-PROCESS 2  
STRIP OUTER JACKET TO DIMENSION SHOWN



-D: IN-PROCESS 3  
END 1: TWIST SHIELD TO FORM SINGLE CONDUCTOR.  
STRIP INDIVIDUAL WIRES TO DIMENSION SHOWN & TIN DIP  
END 2: FOLD BACK SHIELD

**PROPRIETARY NOTE**  
THIS DOCUMENT CONTAINS CONFIDENTIAL AND PROPRIETARY INFORMATION AND ALL DESIGN, MANUFACTURING, REPRODUCTION, USE, PATENT RIGHTS AND SALES RIGHTS ARE EXPRESSLY RESERVED BY SAMTEC, INC. THIS DOCUMENT SHALL NOT BE DISCLOSED, IN WHOLE OR PART, TO ANY UNAUTHORIZED PERSON OR ENTITY NOR REPRODUCED, TRANSFERRED OR INCORPORATED IN ANY OTHER PROJECT IN ANY MANNER WITHOUT THE EXPRESS WRITTEN CONSENT OF SAMTEC, INC.

DO NOT SCALE DRAWING

SHEET SCALE: 1:1

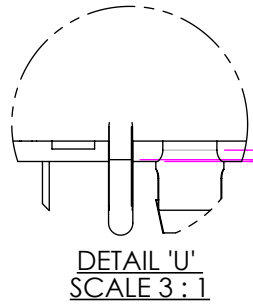


520 PARK EAST BLVD, NEW ALBANY, IN 47150  
PHONE: 812-944-6733 FAX: 812-948-5047  
e-Mail: info@SAMTEC.com code: 55322

DESCRIPTION:  
SEALED CIRCULAR RECEPTACLE, ETHERNET

DWG. NO.  
**SCRES-X-XX.XX-XX-C5E**

BY: CHADP 3/17/2009 SHEET 2 OF 6



TRIM CLIPS TO FLUSH OR BELOW  
0.00+0/.5

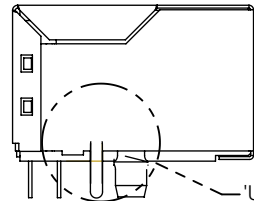
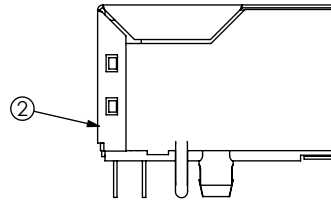


FIG 3

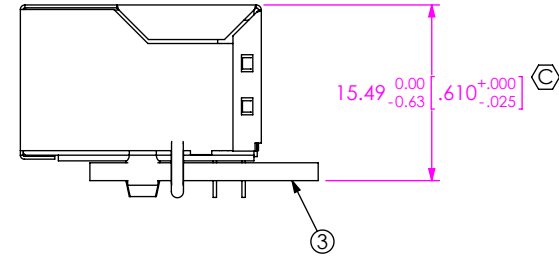
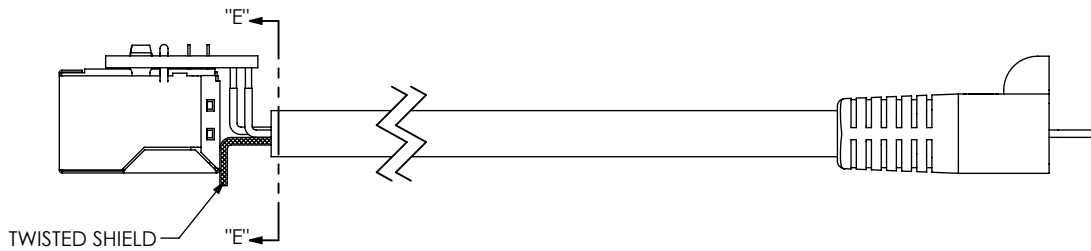
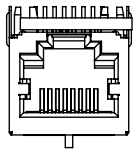
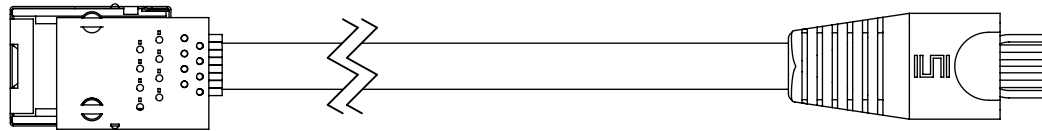


FIG 4  
CONNECTOR SOLDERED TO PCB

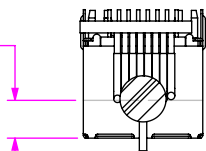
-D: IN-PROCESS 4  
SHEAR SHIELD TABS AND ALIGNMENT PINS  
FLUSH WITH BOTTOM OF CONNECTOR  
ADD SOLDER TO PCB



-D: IN-PROCESS 5  
TERMINATE CABLE TO PCB, BRAID TO CONNECTOR SHIELD

TABLE 2 - PIN-OUT	
J1 POS	COLOR
01	WHITE/ORANGE
02	ORANGE
03	WHITE/GREEN
04	BLUE
05	WHITE/BLUE
06	GREEN
07	WHITE/BROWN
08	BROWN
SHELL	BRAID

3.59 [.141] MAX  
(SHIELD TO BE SOLDERED IN  
THIS AREA)



SECTION "E"-"E"

**PROPRIETARY NOTE**  
THIS DOCUMENT CONTAINS CONFIDENTIAL AND PROPRIETARY INFORMATION AND ALL DESIGN, MANUFACTURING, REPRODUCTION, USE, PATENT RIGHTS AND SALES RIGHTS ARE EXPRESSLY RESERVED BY SAMTEC, INC. THIS DOCUMENT SHALL NOT BE DISCLOSED, IN WHOLE OR PART, TO ANY UNAUTHORIZED PERSON OR ENTITY NOR REPRODUCED, TRANSFERRED OR INCORPORATED IN ANY OTHER PROJECT IN ANY MANNER WITHOUT THE EXPRESS WRITTEN CONSENT OF SAMTEC, INC.

DO NOT SCALE DRAWING

SHEET SCALE: 1:1

**samtec**

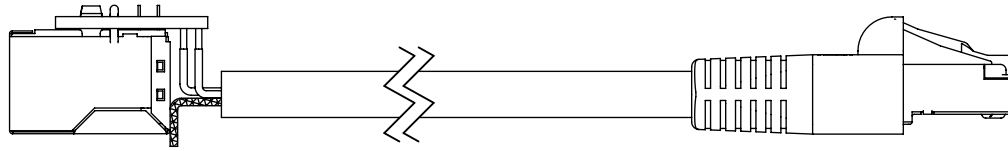
520 PARK EAST BLVD, NEW ALBANY, IN 47150  
PHONE: 812-944-6733 FAX: 812-948-5047  
e-Mail: info@SAMTEC.com code: 55322

DESCRIPTION:  
SEALED CIRCULAR RECEPTACLE, ETHERNET

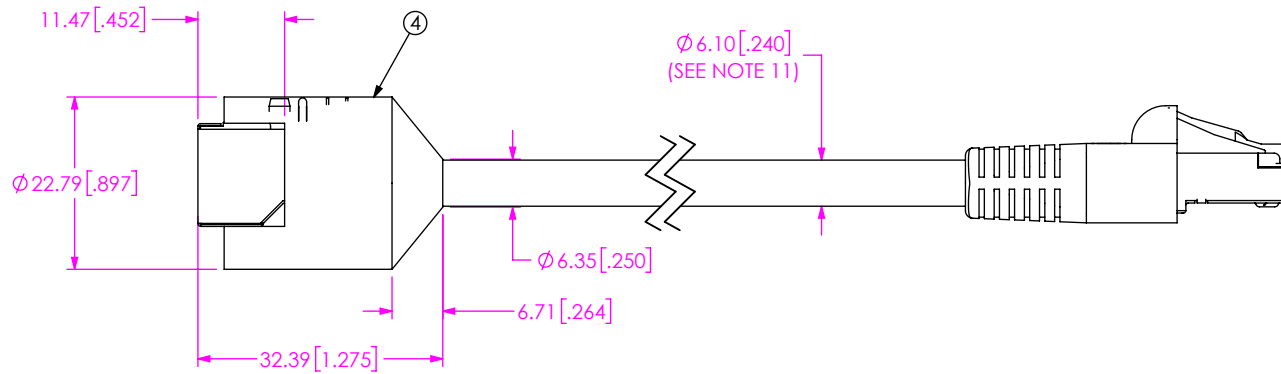
DWG. NO.  
**SCRES-X-XX.XX-XX-C5E**

BY: CHADP 3/17/2009 SHEET 3 OF 6

TABLE 3 - PIN-OUT		
J1 POS	COLOR	J2 POS
01	WHITE/ORANGE	01
02	ORANGE	02
03	WHITE/GREEN	03
04	BLUE	04
05	WHITE/BLUE	05
06	GREEN	06
07	WHITE/BROWN	07
08	BROWN	08
SHELL	BRAID	SHELL



-D: IN-PROCESS 6  
TERMINATE  
(SEE NOTE 2)



-D: IN-PROCESS 7  
ADD PREMOLD

F:\DWG\MISC\MKTG\SCRES-X-XX-XX-XX-C5E-MKT.SLDDRW

**PROPRIETARY NOTE**  
THIS DOCUMENT CONTAINS CONFIDENTIAL AND PROPRIETARY INFORMATION AND ALL DESIGN, MANUFACTURING, REPRODUCTION, USE, PATENT RIGHTS AND SALES RIGHTS ARE EXPRESSLY RESERVED BY SAMTEC, INC. THIS DOCUMENT SHALL NOT BE DISCLOSED, IN WHOLE OR PART, TO ANY UNAUTHORIZED PERSON OR ENTITY NOR REPRODUCED, TRANSFERRED OR INCORPORATED IN ANY OTHER PROJECT IN ANY MANNER WITHOUT THE EXPRESS WRITTEN CONSENT OF SAMTEC, INC.

DO NOT SCALE DRAWING

SHEET SCALE: 1:1

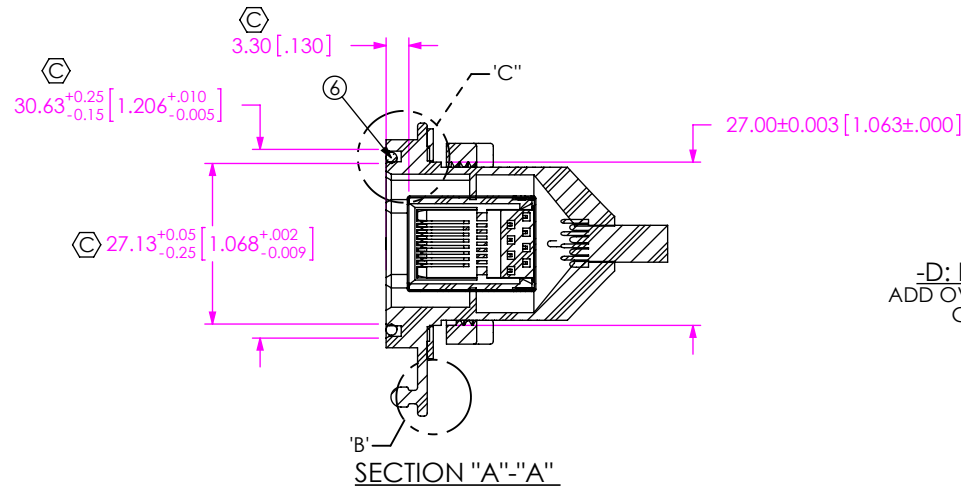
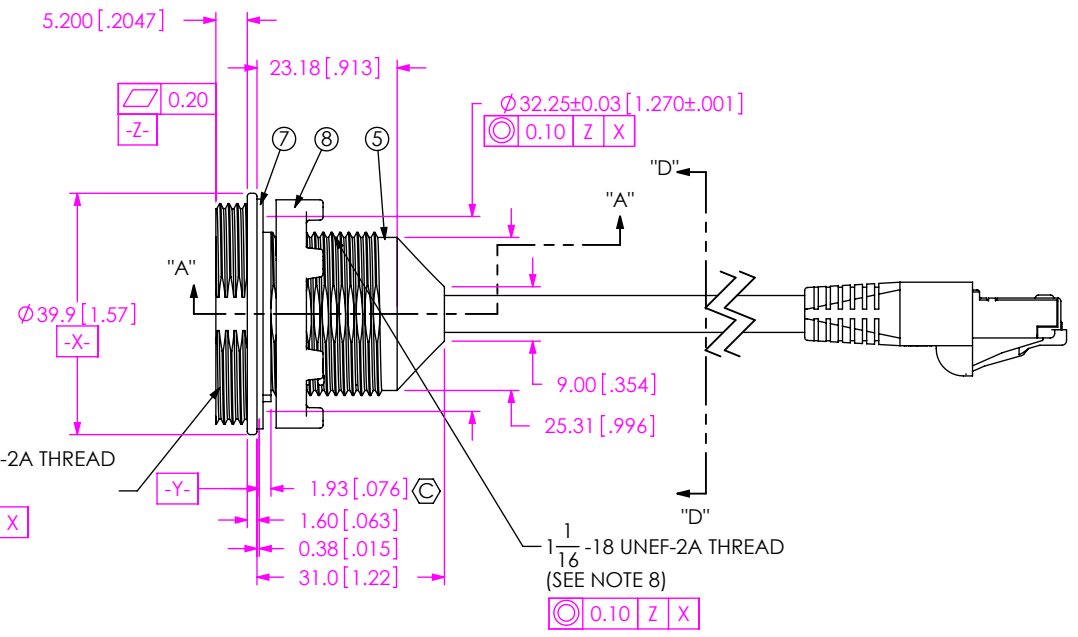
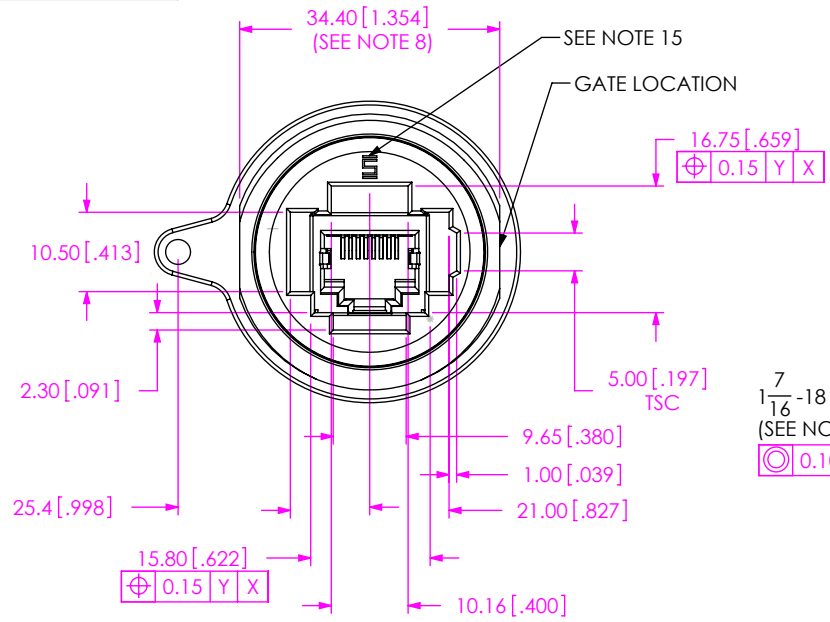


520 PARK EAST BLVD, NEW ALBANY, IN 47150  
PHONE: 812-944-6733 FAX: 812-948-5047  
e-Mail: info@SAMTEC.com code: 55322

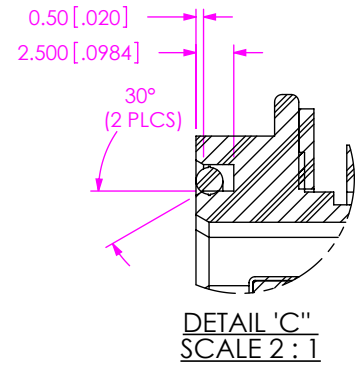
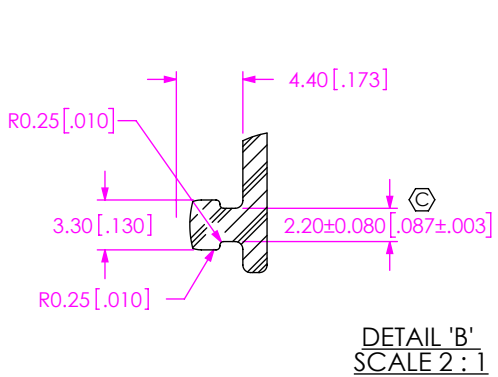
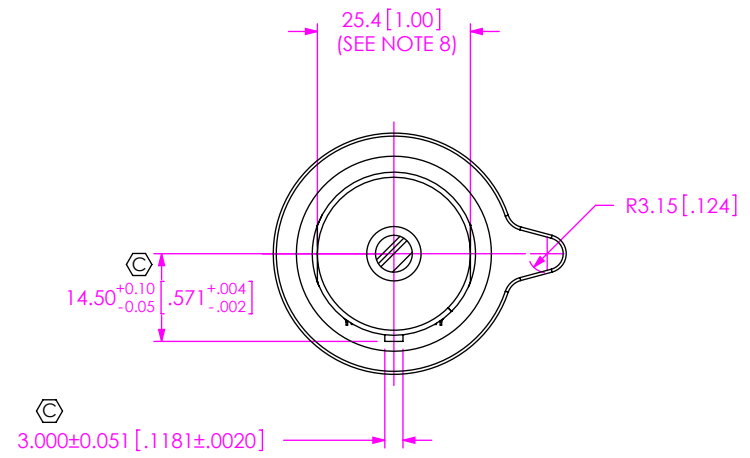
DESCRIPTION:  
SEALED CIRCULAR RECEPTACLE, ETHERNET

DWG. NO.  
**SCRES-X-XX-XX-XX-C5E**

BY: CHADP 3/17/2009 SHEET 4 OF 6

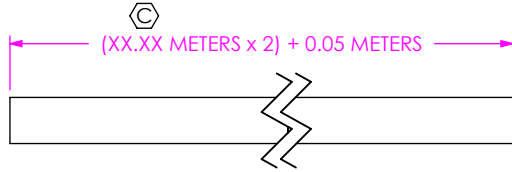


-D: IN-PROCESS 8  
ADD OVER MOLD, O-RING,  
GASKET & NUT  
(SEE NOTE 2)

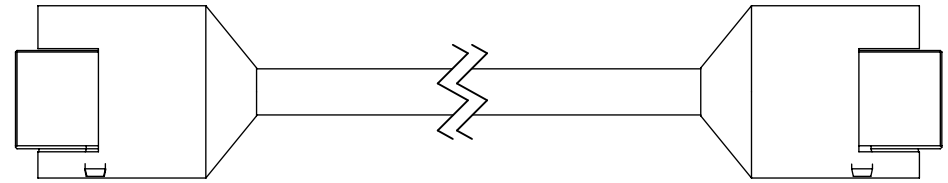


OR-17-01, SPG-17-01, & SPN-17-01  
REMOVED FOR CLARITY

<p><b>PROPRIETARY NOTE</b></p> <p>THIS DOCUMENT CONTAINS CONFIDENTIAL AND PROPRIETARY INFORMATION AND ALL DESIGN, MANUFACTURING, REPRODUCTION, USE, PATENT RIGHTS AND SALES RIGHTS ARE EXPRESSLY RESERVED BY SAMTEC, INC. THIS DOCUMENT SHALL NOT BE DISCLOSED, IN WHOLE OR PART, TO ANY UNAUTHORIZED PERSON OR ENTITY NOR REPRODUCED, TRANSFERRED OR INCORPORATED IN ANY OTHER PROJECT IN ANY MANNER WITHOUT THE EXPRESS WRITTEN CONSENT OF SAMTEC, INC.</p> <p>DO NOT SCALE DRAWING</p> <p>SHEET SCALE: 1:1</p>	<p>520 PARK EAST BLVD. NEW ALBANY, IN 47150 PHONE: 812-944-6733 FAX: 812-948-5047 e-Mail: info@SAMTEC.com code: 55322</p>
<p>BY: CHADP 3/17/2009</p>	<p>SHEET 5 OF 6</p>



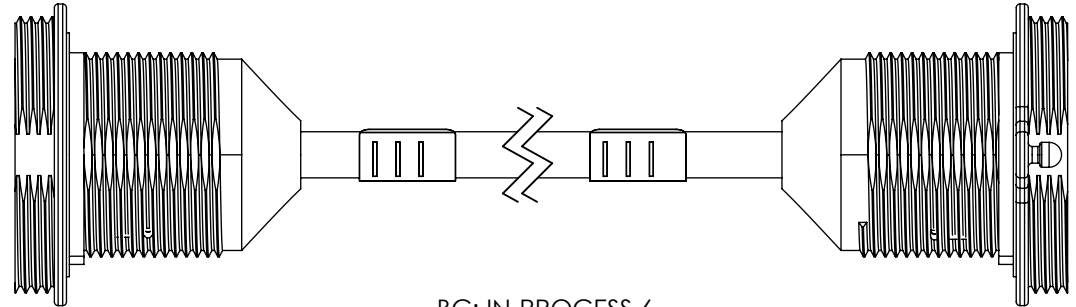
-BC IN-PROCESS 1  
CUT CABLES TO LENGTH



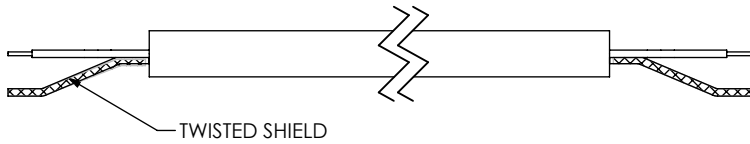
-BC: IN-PROCESS 5  
(SAME AS -D IN-PROCESS 7 UNLESS OTHERWISE STATED)



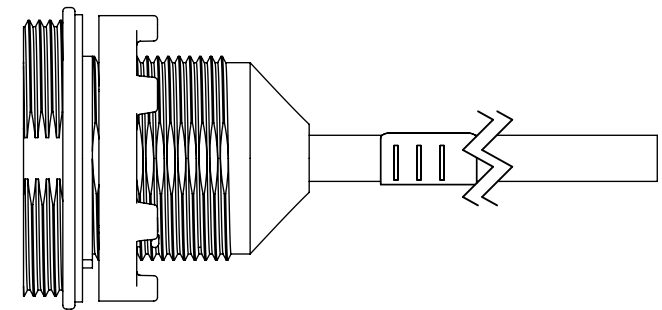
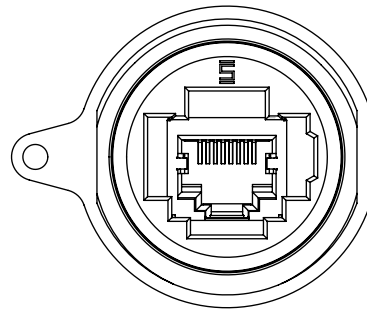
-BC: IN-PROCESS 2  
(SAME AS -D UNLESS OTHERWISE STATED)



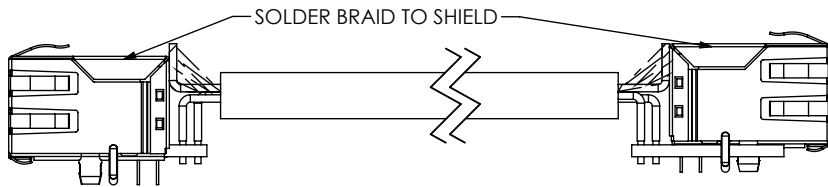
-BC: IN-PROCESS 6  
(SAME AS -D IN-PROCESS 8 UNLESS OTHERWISE STATED)  
(SEE NOTE 2)



-BC: IN-PROCESS 3  
(SAME AS -D UNLESS OTHERWISE STATED)



-BC: IN-PROCESS 7  
CUT IN HALF & TRIM TO LENGTH  
ADD O-RING, GASKET & NUT



-BC: IN-PROCESS 4  
(SAME AS -D UNLESS OTHERWISE STATED)

**PROPRIETARY NOTE**  
THIS DOCUMENT CONTAINS CONFIDENTIAL AND PROPRIETARY INFORMATION AND ALL DESIGN, MANUFACTURING, REPRODUCTION, USE, PATENT RIGHTS AND SALES RIGHTS ARE EXPRESSLY RESERVED BY SAMTEC, INC. THIS DOCUMENT SHALL NOT BE DISCLOSED, IN WHOLE OR PART, TO ANY UNAUTHORIZED PERSON OR ENTITY NOR REPRODUCED, TRANSFERRED OR INCORPORATED IN ANY OTHER PROJECT IN ANY MANNER WITHOUT THE EXPRESS WRITTEN CONSENT OF SAMTEC, INC.

DO NOT SCALE DRAWING

SHEET SCALE: 1:1



520 PARK EAST BLVD, NEW ALBANY, IN 47150  
PHONE: 812-944-6733 FAX: 812-948-5047  
e-Mail: info@SAMTEC.com code: 55322

DESCRIPTION:  
SEALED CIRCULAR RECEPTACLE, ETHERNET

DWG. NO.  
**SCRES-X-XX.XX-XX-C5E**

BY: CHADP 3/17/2009 SHEET 6 OF 6



Компания «ЭлектроПласт» предлагает заключение долгосрочных отношений при поставках импортных электронных компонентов на взаимовыгодных условиях!

Наши преимущества:

- Оперативные поставки широкого спектра электронных компонентов отечественного и импортного производства напрямую от производителей и с крупнейших мировых складов;
- Поставка более 17-ти миллионов наименований электронных компонентов;
- Поставка сложных, дефицитных, либо снятых с производства позиций;
- Оперативные сроки поставки под заказ (от 5 рабочих дней);
- Экспресс доставка в любую точку России;
- Техническая поддержка проекта, помощь в подборе аналогов, поставка прототипов;
- Система менеджмента качества сертифицирована по Международному стандарту ISO 9001;
- Лицензия ФСБ на осуществление работ с использованием сведений, составляющих государственную тайну;
- Поставка специализированных компонентов (Xilinx, Altera, Analog Devices, Intersil, Interpoint, Microsemi, Aeroflex, Peregrine, Syfer, Eurofarad, Texas Instrument, Miteq, Cobham, E2V, MA-COM, Hittite, Mini-Circuits, General Dynamics и др.);

Помимо этого, одним из направлений компании «ЭлектроПласт» является направление «Источники питания». Мы предлагаем Вам помощь Конструкторского отдела:

- Подбор оптимального решения, техническое обоснование при выборе компонента;
- Подбор аналогов;
- Консультации по применению компонента;
- Поставка образцов и прототипов;
- Техническая поддержка проекта;
- Защита от снятия компонента с производства.



#### Как с нами связаться

**Телефон:** 8 (812) 309 58 32 (многоканальный)

**Факс:** 8 (812) 320-02-42

**Электронная почта:** [org@eplast1.ru](mailto:org@eplast1.ru)

**Адрес:** 198099, г. Санкт-Петербург, ул. Калинина, дом 2, корпус 4, литера А.