

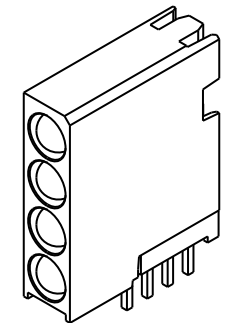
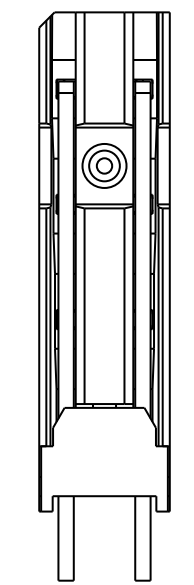
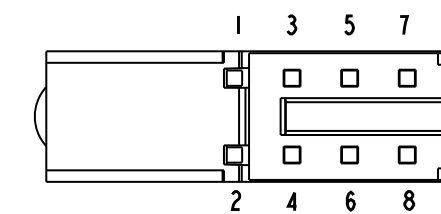
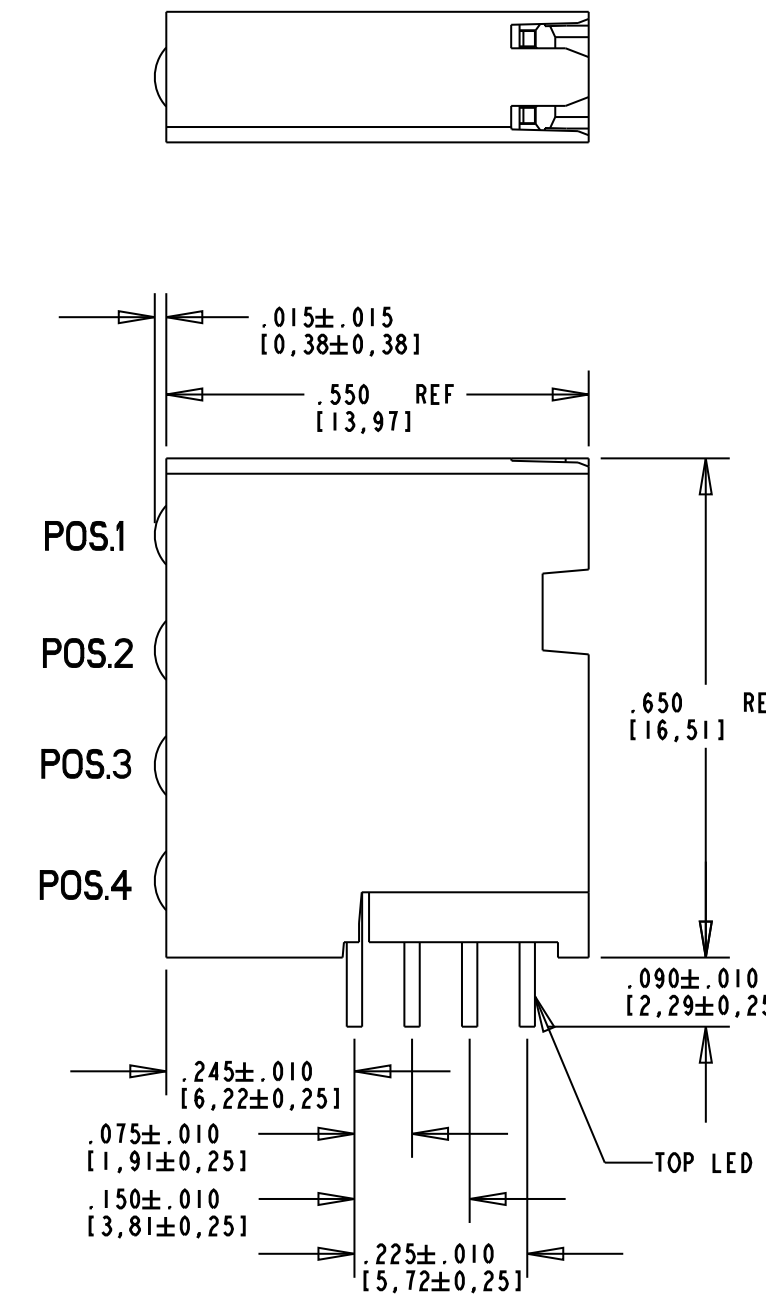
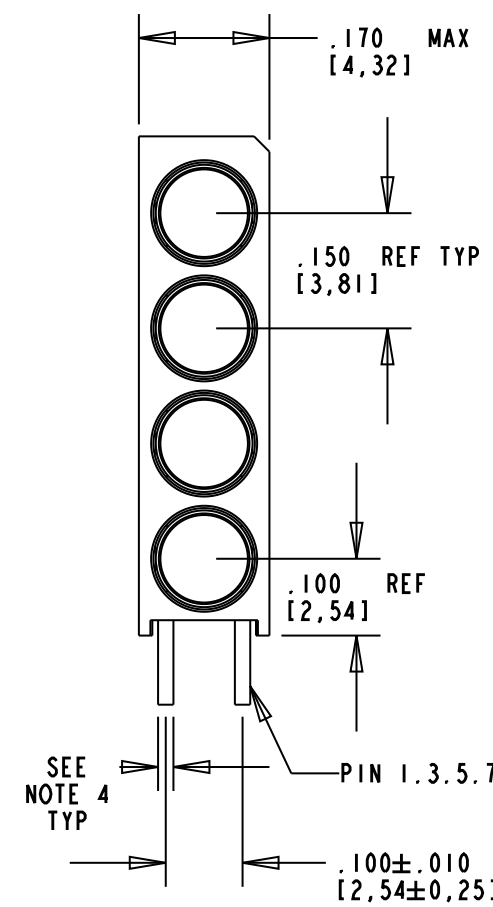
| PART NUMBER | LED COLOR | | | |
|---------------|---------------------|---------------------|---------------------|---------------------|
| | POSITION 1 | POSITION 2 | POSITION 3 | POSITION 4 |
| 568-2231-110F | RED NON-DIFFUSED | RED NON-DIFFUSED | RED NON-DIFFUSED | ** BLANK ** |
| 568-2231-111F | RED NON-DIFFUSED | RED NON-DIFFUSED | RED NON-DIFFUSED | RED NON-DIFFUSED |
| 568-2231-131F | RED NON-DIFFUSED | RED NON-DIFFUSED | YELLOW NON-DIFFUSED | RED NON-DIFFUSED |
| 568-2231-310F | RED NON-DIFFUSED | YELLOW NON-DIFFUSED | RED NON-DIFFUSED | ** BLANK ** |
| 568-2231-311F | RED NON-DIFFUSED | YELLOW NON-DIFFUSED | RED NON-DIFFUSED | RED NON-DIFFUSED |
| 568-2231-222F | RED NON-DIFFUSED | GREEN NON-DIFFUSED | GREEN NON-DIFFUSED | GREEN NON-DIFFUSED |
| 568-2231-322F | RED NON-DIFFUSED | YELLOW NON-DIFFUSED | GREEN NON-DIFFUSED | GREEN NON-DIFFUSED |
| 568-2232-110F | GREEN NON-DIFFUSED | RED NON-DIFFUSED | RED NON-DIFFUSED | ** BLANK ** |
| 568-2232-121F | GREEN NON-DIFFUSED | RED NON-DIFFUSED | GREEN NON-DIFFUSED | RED NON-DIFFUSED |
| 568-2232-131F | GREEN NON-DIFFUSED | RED NON-DIFFUSED | YELLOW NON-DIFFUSED | RED NON-DIFFUSED |
| 568-2232-210F | GREEN NON-DIFFUSED | GREEN NON-DIFFUSED | RED NON-DIFFUSED | ** BLANK ** |
| 568-2232-222F | GREEN NON-DIFFUSED | GREEN NON-DIFFUSED | GREEN NON-DIFFUSED | GREEN NON-DIFFUSED |
| 568-2232-323F | GREEN NON-DIFFUSED | YELLOW NON-DIFFUSED | GREEN NON-DIFFUSED | YELLOW NON-DIFFUSED |
| 568-2233-120F | YELLOW NON-DIFFUSED | RED NON-DIFFUSED | GREEN NON-DIFFUSED | ** BLANK ** |
| 568-2233-322F | YELLOW NON-DIFFUSED | YELLOW NON-DIFFUSED | GREEN NON-DIFFUSED | GREEN NON-DIFFUSED |
| 568-2233-333F | YELLOW NON-DIFFUSED | YELLOW NON-DIFFUSED | YELLOW NON-DIFFUSED | YELLOW NON-DIFFUSED |
| 568-2234-323F | YELLOW / GREEN | YELLOW NON-DIFFUSED | GREEN NON-DIFFUSED | YELLOW NON-DIFFUSED |
| 568-2239-999F | BLUE NON-DIFFUSED | BLUE NON-DIFFUSED | BLUE NON-DIFFUSED | BLUE NON-DIFFUSED |

| ABSOLUTE MAXIMUM RATINGS AT 25°C AMBIENT | | UNITS | RED | GREEN | YELLOW | Y/G BI-COLOR | | BLUE |
|---|--|-------|-------------|-------|--------|--------------|------------|------|
| | | | | | | YELLOW | GREEN | |
| POWER DISSIPATION | | mW | 100 | 100 | 60 | 60 | 100 | 140 |
| FORWARD DC CURRENT | | mA | 30 | 30 | 20 | 20 | 30 | 30 |
| LINEAR DERATION FROM 50°C / 25°C FOR BLUE | | mA/°C | 0.4 | 0.4 | 0.25 | 0.25 | 0.4 | 0.32 |
| PEAK FORWARD CURRENT (1/10 DUTY CYCLE, 0.1ms PULSE WIDTH) | | mA | 120 | 120 | 80 | 80 | 120 | 100 |
| OPERATING TEMPERATURE | | °C | -55 TO +100 | | | | -35 TO +85 | |
| STORAGE TEMPERATURE | | °C | -55 TO +100 | | | | -35 TO +85 | |
| LEAD SOLDERING TEMPERATURE, 5 SEC, 1/16" FROM BODY | | °C | 260 | | | | | |

| REV | ECN NO | REVISIONS | DRN | CKD | APP | DATE |
|-----|--------|---|-----|------|------|----------|
| A | | NEW RELEASE | TWC | TC | N.O. | 7-7-05 |
| B | | ADDED P/N 568-2239-999F, ADDED ABSOLUTE MAX. RATINGS, CHANGED NOTE 4, REMOVED NOTE 6, NOTE 6 WAS NOTE 7, ADDED NOTE 7, ADDED RoHS COMPLIANT SPECIFICATION NOTE. | KLJ | N.O. | MES | 12-17-07 |
| C | | UPDATED BLUE LED SPECS | KLJ | NO | MES | 2-7-08 |
| D | | ADDED P/N 568-2233-322F | AJF | KLJ | NO | 8-24-10 |

| OPERATING CHARACTERISTICS AT 25°C AMBIENT | | | | | | |
|---|-----------|-----|-----|-----|--------|-------------------------------|
| CHARACTERISTICS | LED COLOR | MIN | TYP | MAX | UNITS | TEST CONDITIONS |
| LUMINOUS INTENSITY | RED | 8.7 | 29 | | mcd | I _r = 10 mA |
| | GREEN | 32 | 50 | | | |
| | YELLOW | 10 | | 50 | | I _r = 20 mA |
| | BLUE | 110 | | 310 | | |
| FORWARD VOLTAGE | RED | | 2.0 | 2.8 | V | I _r = 20 mA |
| | GREEN | | 2.1 | 2.8 | | |
| | YELLOW | | 2.1 | 2.8 | | |
| | BLUE | | 3.5 | 4.0 | | |
| REVERSE CURRENT | RED | | 100 | | µA | V _r = 5 V |
| | GREEN | | 100 | | | |
| | YELLOW | | 100 | | | |
| | BLUE | | | 10 | | |
| DOMINANT WAVELENGTH | RED | | | | nm | |
| | GREEN | | | | | |
| | YELLOW | | | | | |
| | BLUE | 460 | 464 | 480 | | |
| PEAK WAVELENGTH | RED | | 635 | | nm | |
| | GREEN | | 565 | | | |
| | YELLOW | | 585 | | | |
| | BLUE | | 470 | | | |
| VIEWING ANGLE | ALL | | 45 | | Degree | |
| CAPACITANCE | RED | | 20 | | pf | V _r = 0, f = 1 MHz |
| | GREEN | | 35 | | | |
| | YELLOW | | 15 | | | |
| | BLUE | | | | | |

| LED COLOR = YELLOW / GREEN BI-COLOR | | | | | | |
|---|--------|-----|-----|-----|--------|-------------------------------|
| OPERATING CHARACTERISTICS AT 25°C AMBIENT | | | | | | |
| CHARACTERISTICS | COLOR | MIN | TYP | MAX | UNITS | TEST CONDITIONS |
| LUMINOUS INTENSITY | GREEN | 2.5 | 6.3 | | mcd | I _r = 10 mA |
| | YELLOW | 2.5 | 4.3 | | | |
| FORWARD VOLTAGE | GREEN | | 2.1 | 2.8 | V | I _r = 20 mA |
| PEAK WAVELENGTH | GREEN | | 565 | | nm | |
| | YELLOW | | 585 | | | |
| DOMINANT WAVELENGTH | GREEN | | 569 | | nm | MEASURED ON EXELTRON 2001 |
| | YELLOW | 583 | | 589 | | |
| VIEWING ANGLE | | | 80 | | Degree | |
| CAPACITANCE | GREEN | | 35 | | pf | V _r = 0, f = 1 MHz |
| | YELLOW | | 15 | | | |



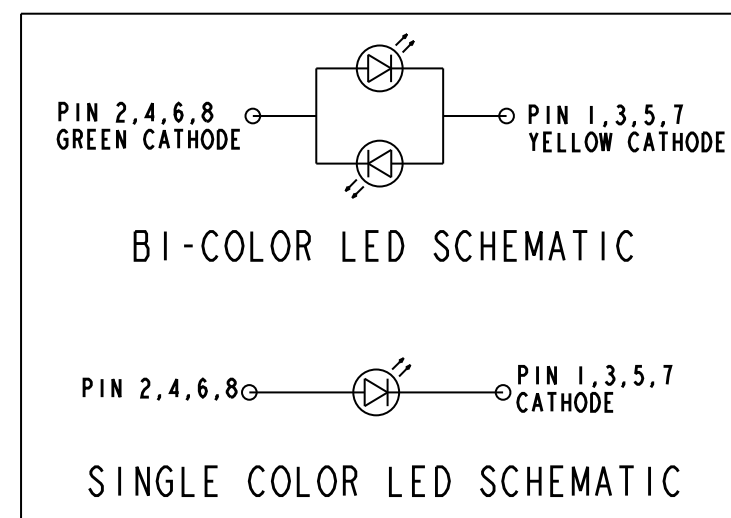
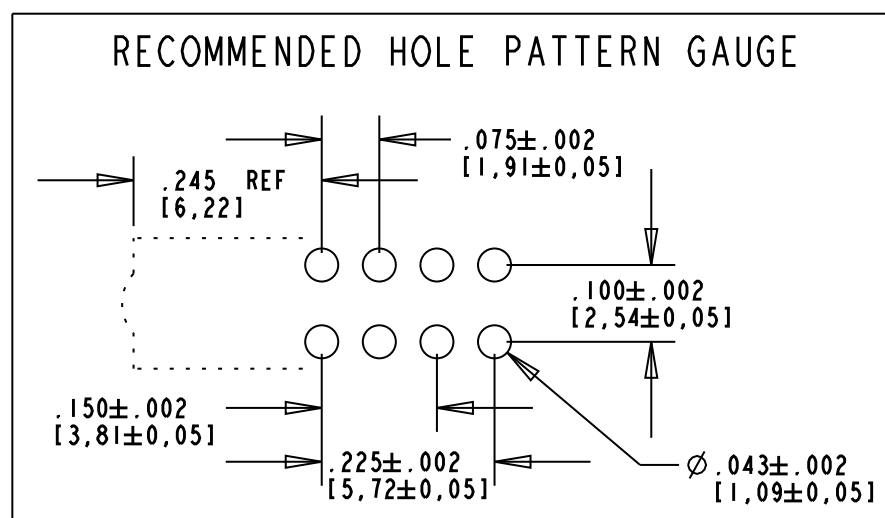
SCALE 2.000

RoHS Compliant 568-223X-XXXF
Thru hole Quad-level CBI

Part Numbers with the "F" suffix ending are RoHS Compliant. For example: 568-2231-111F. The bag packaging is marked with "RoHS Compliant" label or equivalent markings. Parts can be wave soldered, dip soldered or hand soldered using typical lead-free soldering process with max 260°C temp. for 5 sec.

NOTES:

- LEADS TO FIT INTO HOLES SPACED AS PER HOLE PATTERN.
- LEADS TO BE FREE OF DEFORMATION AFTER BENDING AND CUTTING.
- LED LEAD DIMENSIONS SHOWN ARE MEASURED AT HOUSING EXIT
- LED LEAD THICKNESS:
BLUE = .022 MAX/.016 MIN SO.
OTHER = .018 X .016
- WHEN A ZERO APPEARS IN THE LAST 3 DIGITS OF THE PART NUMBER NO LAMP IS REQUIRED IN THAT POSITION.
- DIALIGHT PART NUMBERS: 568-223X-XXXF
- THIS ASSEMBLY CONTAINS ELECTROSTATIC DISCHARGE SENSITIVE DEVICES (ESDS). MAINTAIN ALL PRECAUTIONARY MEASURES DURING ASSEMBLY, HANDLING AND STORAGE IN ACCORDANCE WITH IPC-A-610.



ATTENTION:
OBSERVE PRECAUTIONS FOR
HANDLING ELECTROSTATIC
SENSITIVE DEVICES

| | | |
|---|--|---------------|
| THIS DRAWING AND THE CONTENTS HEREIN ARE CONFIDENTIAL AND THE SOLE PROPERTY OF DIALIGHT. REPRODUCTION OF THIS DRAWING OR CONSTRUCTION OF ANY PARTS WITHIN THIS DRAWING ARE FORBIDDEN WITHOUT THE WRITTEN CONSENT OF DIALIGHT. | | |
| SCALE: 4.000 | DRAWING NUMBER | REV |
| ALL DIM'S IN: INCHES (MM) | C-17263 | D |
| TOLERANCES: UNLESS OTHERWISE SPECIFIED | TITLE 4x1 CBI BLOCK - .150 PITCH RoHS COMPLIANT | |
| FRACTIONS: ±1/64 | MATERIAL | |
| DECIMALS (.XX): ±.01 | Dialight | |
| DECIMALS (.XXX): ±.005 | 1501 ROUTE 34 SOUTH FARMINGDALE, NJ 07727 | |
| DECIMALS (.XXXX): ±.0005 | FINISH: | |
| ANGLES: ±1° | FSCM 83330 | |
| | SHEET 1 OF 1 | FAMILY TABLE: |



Компания «ЭлектроПласт» предлагает заключение долгосрочных отношений при поставках импортных электронных компонентов на взаимовыгодных условиях!

Наши преимущества:

- Оперативные поставки широкого спектра электронных компонентов отечественного и импортного производства напрямую от производителей и с крупнейших мировых складов;
- Поставка более 17-ти миллионов наименований электронных компонентов;
- Поставка сложных, дефицитных, либо снятых с производства позиций;
- Оперативные сроки поставки под заказ (от 5 рабочих дней);
- Экспресс доставка в любую точку России;
- Техническая поддержка проекта, помощь в подборе аналогов, поставка прототипов;
- Система менеджмента качества сертифицирована по Международному стандарту ISO 9001;
- Лицензия ФСБ на осуществление работ с использованием сведений, составляющих государственную тайну;
- Поставка специализированных компонентов (Xilinx, Altera, Analog Devices, Intersil, Interpoint, Microsemi, Aeroflex, Peregrine, Syfer, Eurofarad, Texas Instrument, Miteq, Cobham, E2V, MA-COM, Hittite, Mini-Circuits, General Dynamics и др.);

Помимо этого, одним из направлений компании «ЭлектроПласт» является направление «Источники питания». Мы предлагаем Вам помощь Конструкторского отдела:

- Подбор оптимального решения, техническое обоснование при выборе компонента;
- Подбор аналогов;
- Консультации по применению компонента;
- Поставка образцов и прототипов;
- Техническая поддержка проекта;
- Защита от снятия компонента с производства.



Как с нами связаться

Телефон: 8 (812) 309 58 32 (многоканальный)

Факс: 8 (812) 320-02-42

Электронная почта: org@eplast1.ru

Адрес: 198099, г. Санкт-Петербург, ул. Калинина, дом 2, корпус 4, литера А.