

CODE 40 - BRAID TAIL BACKSHELL

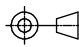


208M916-19B08

SERIES
 DASH NUMBER (TABLE 1)
 MATERIAL
 REFER TO CH00-0250-004
 FINISH
 REFER TO CH00-0250-004 (2)
 ENTRY SIZE (TABLE 2)

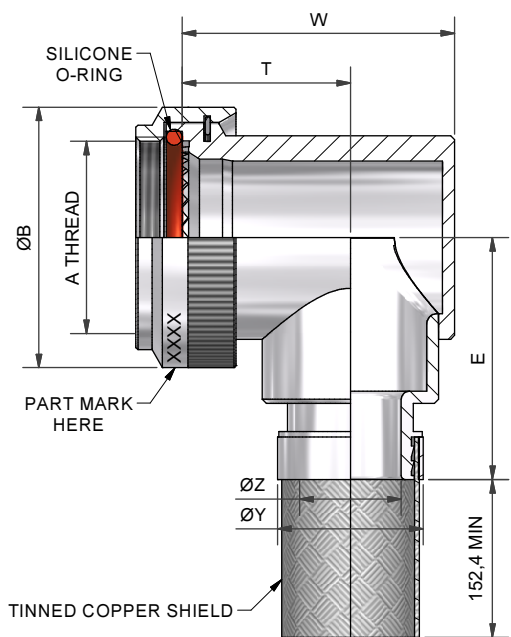
NOTES:

1. THIS PRODUCT IS DESIGNED TO TERMINATE A HEAT SHRINKABLE LIPPED BOOT TO A CONNECTOR.
- (2) FOR ADDITIONAL DIMENSIONS, ORDERING INFORMATION AND MODIFICATIONS, SEE CH00-0250-004
3. BACKSHELL TO BE PERMANENTLY MARKED/BAGGED AND LABELLED WITH CODE IDENTIFICATION NUMBER AND PART NUMBER. (e.g. 06090-208M912-19B08).
- (4) WHEN ENTRY SIZE EXCEEDS "MAX ENTRY", A 2 PIECE BACKSHELL (TYPE 2) IS SUPPLIED.
5. BRAID TERMINATION RING MAY BE SUPPLIED AS TINEL-LOCK SHAPE MEMORY RING AT MANUFACTURERS OPTION.
6. BACKSHELL MATES TO MIL-DTL-38999 SERIES III & IV, CLASS C, F, K AND W, D38999/20, /24, /26, /40, /46, /47 CONNECTORS AND WHEN SO MATED SHALL PROVIDE A WATER-TIGHT SEAL MEETING THE REQUIREMENTS OF MIL-C-85049, PAR. 3.5.7.

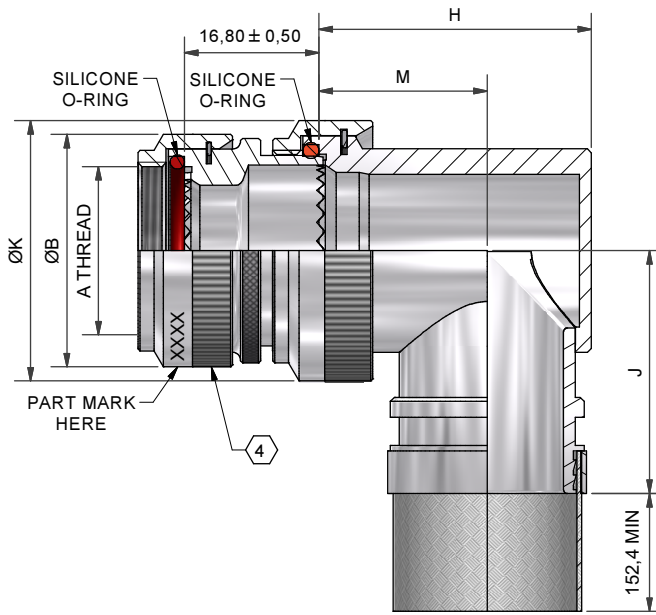
If this document is printed it becomes uncontrolled. Check for the latest revision

| | | | | | | | | | | |
|--|---------------------------|------------|------------|---|--|----------------------|---|-------------------------------|--------------------------|-----------------|
| DRAWN | K.WINCZURA | DATE | 12/06/2015 |  3RD ANGLE PROJECTION NOT TO SCALE | TITLE: | BRAID TAIL BACKSHELL |   Polanco TE connectivity | | | |
| CHECKED | | DATE | 12/06/2015 | | | | | | | |
| APPROVED | K.SHEPPARD | DATE | 10/07/2015 | | UNLESS OTHERWISE SPECIFIED ALL DIMENSIONS IN MILLIMETRES GENERAL TOL LINEAR +/-0.25MM ANGULAR +/- 1° | ASSY USED ON: | | MIL-DTL-38999 SERIES III & IV | | |
| APPROVED | H.SMITH | DATE | 16/07/2015 | | | | | | | |
| REVISIONS | | | | | | | | | | |
| LTR | DESCRIPTION | DATE | APPROVED | | | | | | | |
| M | REVISED PER ECO-14-008400 | 06/04/2014 | I.M | | | | | | | |
| N | REVISED PER ECO-15-010349 | 16/07/2015 | H.SMITH | | | | | | | |
| TE CAGE CODE: 06090 POLAMCO/TE CAGE CODE: U5792 | | | | | TE CONNECTIVITY - POLAMCO LTD RESERVES THE RIGHT TO AMEND THIS DRAWING AND THE INFORMATION SET FORTH HEREON AT ANY TIME. USERS SHOULD INDEPENDENTLY EVALUATE THE SUITABILITY OF THE PRODUCT FOR THEIR APPLICATION. | | | DRAWING NO: 208M9XX | DRAWING REV: N | SHT 1 |

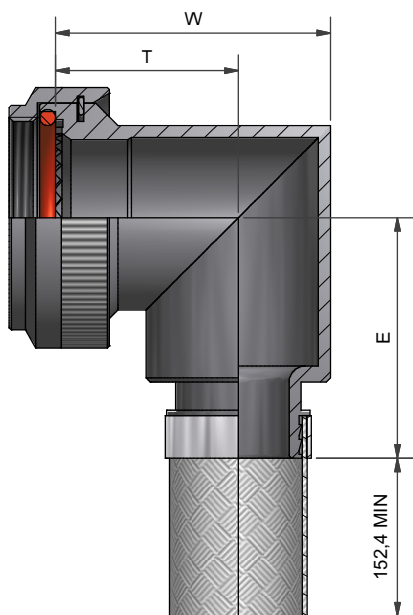
IF MAX ENTRY IS EXCEEDED BACKSHELL
WILL BE SUPPLIED AS TYPE 2



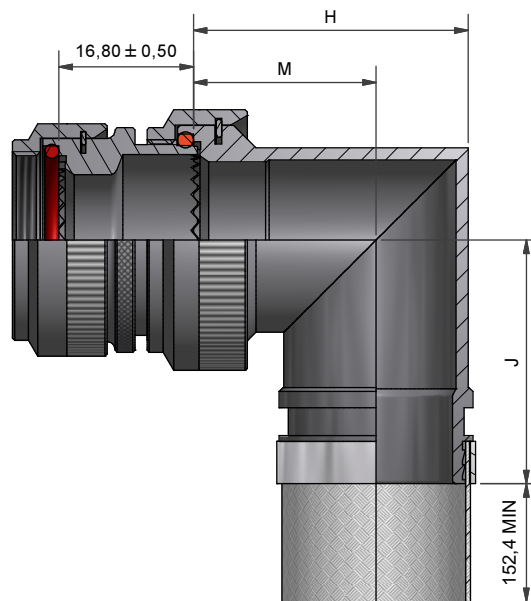
90° BACKSHELL - TYPE 1



90° BACKSHELL - TYPE 2



90° BACKSHELL - TYPE 1
STAINLESS STEEL AND
NICKEL ALUMINIUM BRONZE



90° BACKSHELL - TYPE 2
STAINLESS STEEL AND
NICKEL ALUMINIUM BRONZE

If this document is printed it becomes uncontrolled. Check for the latest revision

| | | | |
|-----------|---------------------------|------------|------------|
| DRAWN | K.WINCZURA | DATE | 12/06/2015 |
| CHECKED | | DATE | 12/06/2015 |
| APPROVED | K.SHEPPARD | DATE | 10/07/2015 |
| APPROVED | H.SMITH | DATE | 16/07/2015 |
| REVISIONS | | | |
| LTR | DESCRIPTION | DATE | APPROVED |
| M | REVISED PER ECO-14-008400 | 06/04/2014 | I.M |
| N | REVISED PER ECO-15-010349 | 16/07/2015 | H.SMITH |



3RD ANGLE
PROJECTION
NOT TO
SCALE

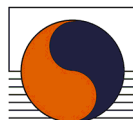
UNLESS OTHERWISE SPECIFIED
ALL DIMENSIONS IN MILLIMETRES
GENERAL TOL
LINEAR +/-0.25MM
ANGULAR +/- 1°

TITLE:

BRAID TAIL BACKSHELL

ASSY USED ON:

MIL-DTL-38999 SERIES III & IV



Polanco



TE CONNECTIVITY - POLAMCO LTD RESERVES THE RIGHT TO AMEND THIS DRAWING
AND THE INFORMATION SET FORTH HEREON AT ANY TIME. USERS SHOULD
INDEPENDENTLY EVALUATE THE SUITABILITY OF THE PRODUCT FOR THEIR APPLICATION.

DRAWING NO:
208M9XX

DRAWING REV:
N

SHT
2

TE CAGE CODE: 06090
POLAMCO/TE CAGE CODE: U5792

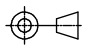
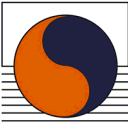

TABLE 1

| ORDER NUMBER | SHELL SIZE COM'L / MIL | A THREAD | ØB MAX | MAX ENTRY | W ±0,5 | T ±0,5 | E ±0,5 | THESE DIMENSIONS APPLY IF BACKSHELL IS STAINLESS STEEL OR NICKEL ALUMINIUM BRONZE | | |
|--------------|------------------------|----------|--------|-----------|--------|--------|--------|---|--------|--------|
| | | | | | | | | W ±0,5 | T ±0,5 | E ±0,5 |
| 208M908 | 9 / A | M12x1.0 | 18,0 | 04 | 21,0 | 14,0 | 24,0 | 21,2 | 16,3 | 24,0 |
| 208M910 | 11 / B | M15x1.0 | 21,0 | 07 | 24,0 | 15,5 | 25,7 | 24,3 | 17,2 | 25,7 |
| 208M912 | 13 / C | M18x1.0 | 24,5 | 09 | 27,0 | 17,0 | 27,2 | 28,3 | 19,4 | 27,2 |
| 208M914 | 15 / D | M22x1.0 | 29,0 | 10 | 31,0 | 19,5 | 28,7 | 31,1 | 21,0 | 28,7 |
| 208M916 | 17 / E | M25x1.0 | 32,5 | 12 | 34,0 | 21,0 | 30,4 | 34,2 | 22,8 | 30,4 |
| 208M918 | 19 / F | M28x1.0 | 35,5 | 14 | 35,0 | 20,0 | 32,0 | 38,5 | 25,3 | 32,0 |
| 208M920 | 21 / G | M31x1.0 | 37,0 | 16 | 38,0 | 21,5 | 33,6 | 40,7 | 26,1 | 33,6 |
| 208M922 | 23 / H | M34x1.0 | 40,0 | 18 | 42,0 | 24,0 | 35,1 | 43,7 | 27,6 | 35,1 |
| 208M924 | 25 / J | M37x1.0 | 43,5 | 20 | 45,0 | 25,5 | 36,6 | 46,4 | 29,1 | 36,6 |

TABLE 2

| ENTRY SIZE | ØK MAX | ØZ REF | ØY REF | H ±0,5 | M ±0,5 | J ±0,5 | THESE DIMENSIONS APPLY IF BACKSHELL IS STAINLESS STEEL OR NICKEL ALUMINIUM BRONZE | | |
|------------|--------|--------|--------|--------|--------|--------|---|--------|--------|
| | | | | | | | H ±0,5 | M ±0,5 | J ±0,5 |
| 03 | NA | 4,77 | 13,1 | NA | NA | NA | NA | NA | NA |
| 04 | NA | 6,35 | 13,1 | NA | NA | NA | NA | NA | NA |
| 05 | 21,0 | 7,92 | 13,1 | 24,0 | 15,5 | 25,7 | 24,3 | 17,2 | 25,7 |
| 06 | 21,0 | 9,52 | 17,9 | 24,0 | 15,5 | 25,7 | 24,3 | 17,2 | 25,7 |
| 07 | 21,0 | 11,12 | 17,9 | 24,0 | 15,5 | 25,7 | 24,3 | 17,2 | 25,7 |
| 08 | 24,5 | 12,70 | 17,9 | 27,0 | 17,0 | 27,2 | 28,3 | 19,4 | 27,2 |
| 09 | 24,5 | 14,27 | 17,9 | 27,0 | 17,0 | 27,2 | 28,3 | 19,4 | 27,2 |
| 10 | 29,0 | 15,87 | 24,2 | 31,0 | 19,5 | 28,7 | 31,1 | 21,0 | 28,7 |
| 11 | 32,5 | 17,47 | 24,2 | 34,0 | 21,0 | 30,4 | 34,2 | 22,8 | 30,4 |
| 12 | 32,5 | 19,05 | 24,2 | 34,0 | 21,0 | 30,4 | 34,2 | 22,8 | 30,4 |
| 13 | 35,5 | 20,62 | 24,2 | 35,0 | 20,0 | 32,1 | 38,5 | 25,3 | 32,1 |
| 14 | 35,5 | 22,23 | 30,6 | 35,0 | 20,0 | 32,1 | 38,5 | 25,3 | 32,1 |
| 15 | 37,0 | 23,82 | 30,6 | 38,0 | 21,5 | 33,7 | 40,7 | 26,1 | 33,7 |
| 16 | 37,0 | 25,40 | 30,6 | 38,0 | 21,5 | 33,7 | 40,7 | 26,1 | 33,7 |
| 17 | 40,0 | 26,98 | 33,2 | 42,0 | 24,0 | 35,2 | 43,7 | 27,6 | 35,2 |
| 18 | 40,0 | 28,60 | 33,2 | 42,0 | 24,0 | 35,2 | 43,7 | 27,6 | 35,2 |
| 20 | 43,5 | 31,80 | 42,0 | 45,0 | 25,5 | 36,7 | 46,4 | 29,1 | 36,7 |
| 21 | 48,5 | 33,34 | 42,0 | 54,5 | 31,0 | 39,8 | 50,0 | 31,0 | 39,8 |
| 22 | 48,5 | 35,00 | 42,0 | 54,5 | 31,0 | 39,8 | 50,0 | 31,0 | 39,8 |
| 24 | 52,1 | 38,10 | 42,0 | 58,0 | 33,0 | 43,8 | 53,5 | 33,0 | 43,8 |
| 28 | 58,5 | 44,45 | 49,0 | 65,5 | 36,5 | 48,9 | 60,3 | 36,5 | 48,9 |

If this document is printed it becomes uncontrolled. Check for the latest revision

| | | | | | | |
|---|---------------------------|------------|------------|--|--|--|
| DRAWN | K.WINCZURA | DATE | 12/06/2015 |  3RD ANGLE PROJECTION NOT TO SCALE | TITLE: BRAID TAIL BACKSHELL |  Polamco |
| CHECKED | | DATE | 12/06/2015 | | | |
| APPROVED | K.SHEPPARD | DATE | 10/07/2015 | | | |
| APPROVED | H.SMITH | DATE | 16/07/2015 | | | |
| UNLESS OTHERWISE SPECIFIED ALL DIMENSIONS IN MILLIMETRES GENERAL TOL LINEAR +/-0,25MM ANGULAR +/- 1° | | | | | ASSY USED ON: MIL-DTL-38999 SERIES III & IV |  TE connectivity |
| REVISIONS | | | | | | |
| LTR | DESCRIPTION | DATE | APPROVED | | | |
| M | REVISED PER ECO-14-008400 | 06/04/2014 | I.M | | | |
| N | REVISED PER ECO-15-010349 | 16/07/2015 | H.SMITH | | | |
| TE CAGE CODE: 06090 POLAMCO/TE CAGE CODE: U5792 | | | | | TE CONNECTIVITY - POLAMCO LTD RESERVES THE RIGHT TO AMEND THIS DRAWING AND THE INFORMATION SET FORTH HEREON AT ANY TIME. USERS SHOULD INDEPENDENTLY EVALUATE THE SUITABILITY OF THE PRODUCT FOR THEIR APPLICATION. | DRAWING NO: 208M9XX |
| | | | | | DRAWING REV: N | |
| | | | | | SHT 3 | |



Компания «ЭлектроПласт» предлагает заключение долгосрочных отношений при поставках импортных электронных компонентов на взаимовыгодных условиях!

Наши преимущества:

- Оперативные поставки широкого спектра электронных компонентов отечественного и импортного производства напрямую от производителей и с крупнейших мировых складов;
- Поставка более 17-ти миллионов наименований электронных компонентов;
- Поставка сложных, дефицитных, либо снятых с производства позиций;
- Оперативные сроки поставки под заказ (от 5 рабочих дней);
- Экспресс доставка в любую точку России;
- Техническая поддержка проекта, помощь в подборе аналогов, поставка прототипов;
- Система менеджмента качества сертифицирована по Международному стандарту ISO 9001;
- Лицензия ФСБ на осуществление работ с использованием сведений, составляющих государственную тайну;
- Поставка специализированных компонентов (Xilinx, Altera, Analog Devices, Intersil, Interpoint, Microsemi, Aeroflex, Peregrine, Syfer, Eurofarad, Texas Instrument, Miteq, Cobham, E2V, MA-COM, Hittite, Mini-Circuits, General Dynamics и др.);

Помимо этого, одним из направлений компании «ЭлектроПласт» является направление «Источники питания». Мы предлагаем Вам помощь Конструкторского отдела:

- Подбор оптимального решения, техническое обоснование при выборе компонента;
- Подбор аналогов;
- Консультации по применению компонента;
- Поставка образцов и прототипов;
- Техническая поддержка проекта;
- Защита от снятия компонента с производства.



Как с нами связаться

Телефон: 8 (812) 309 58 32 (многоканальный)

Факс: 8 (812) 320-02-42

Электронная почта: org@eplast1.ru

Адрес: 198099, г. Санкт-Петербург, ул. Калинина, дом 2, корпус 4, литера А.