

Dual-Input Smart Push-Button Reset IC

Features

- Operating Range: 1.6V~5.5V
- Supply Current in standby: <math>< 1\mu\text{A}</math> ($V_{DD} = 4\text{V}$)
- Output Delay time (RST0 & 1 input pin): 10s Typ.
- Reset Pulse Time (SRO, nSRO Output): 400ms Typ.
- ESD Protection
 - Human Body Model: 2kV
 - Charged Device Model: 1.5kV
- Over-Temperature Protection
- -40°C to +85°C Temperature Range

Applications

- Mobile Phones & Tablets
- Wearable Devices
- Portable Instruments
- Remote Controls
- Gaming
- DSC, DVR, GPS

Brief Description

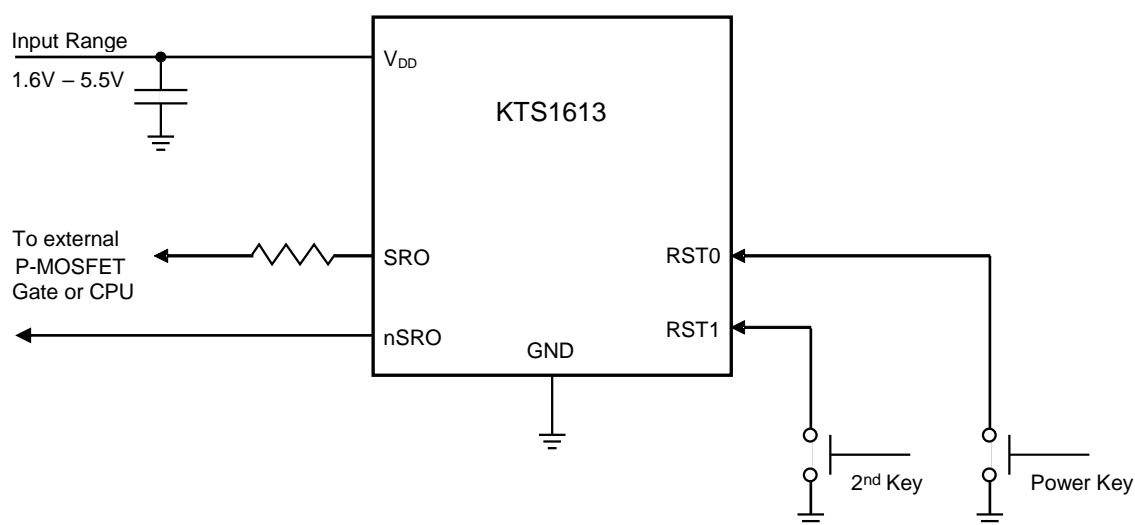
The KTS1613 is a two input, two output Smart Push-Button Reset IC. A reset pulse is generated for a fixed discharge time (400ms typ) after both manual reset inputs have been held low for the reset request time of 10s.

The KTS1613 operates over the 1.6 V to 5.5V supply voltage range, consuming less than 10 μA of supply current at 4V.

The KTS1613 has 2 digital output pins, nSRO and SRO. nSRO is an active-low open-drain output pin. SRO is an active-high push-pull output which can be used to control a P-channel MOSFET battery disconnect switch. It features a soft turn on and turn off feature to reduce VBAT rising and falling overshoot.

The KTS1613 is available in lead-free, fully green compliant, small 10-pin UQFN 2.0mm x 1.5mm package.

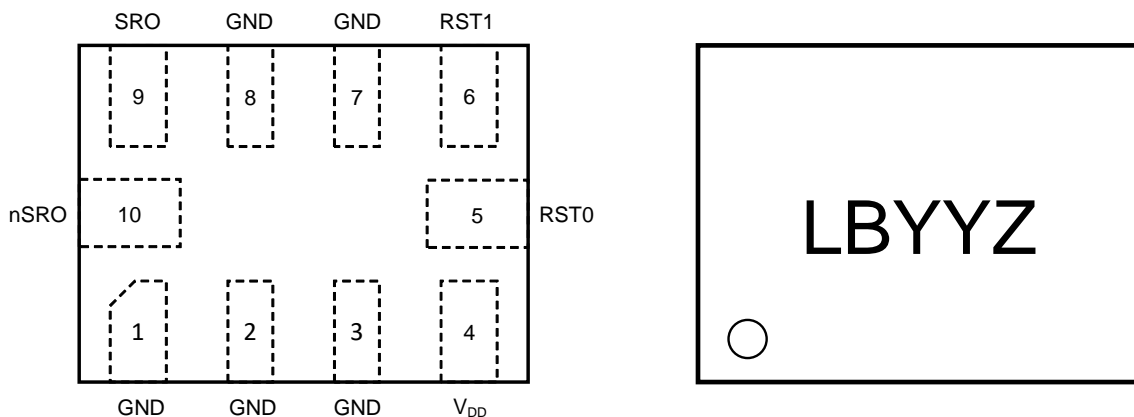
Typical Application



Pin Descriptions

Pin #	Name	Function	IO Characteristics
1, 2, 3, 7, 8	GND	Ground connection.	-
4	V _{DD}	Power supply input.	-
5	RST0	Reset signal input 0.	Internal pull down (8MΩ)
6	RST1	Reset signal input 1.	No internal pull up resistor
9	SRO	Digital output. Active HIGH (V _{DD})	Push-Pull
10	nSRO	Digital output, Active LOW	Open-drain

UQFN2.0x1.5-10
(Top View)



10-Lead 2.0mm x 1.50mm x 0.55mm
WLCSP Package

Top Mark

LB = Device ID Code, YY = Date Code, Z = Assembly Code

Absolute Maximum Ratings¹

(T_A = 25°C unless otherwise noted)

Symbol	Description	Value	Units
V _{DD}	Power supply input.	-0.3 to +12 (DC)	V
RST0, RST1, SRO, nSRO	Reset inputs, Digital outputs.	-0.3 to +6	V
T _J	Maximum Junction Temperature Range	-40 to 150	°C
T _s	Storage Temperature Range	-65 to 150	
T _{LEAD}	Maximum Soldering Temperature (at leads, 10sec)	300	

Thermal Capabilities²

Symbol	Description	Value	Units
θ _{JA}	Thermal Resistance – Junction to Ambient	73	°C/W
P _D	Maximum Power Dissipation at T _A ≤ 25°C	1712	mW
ΔP _D /°C	Derating Factor Above T _A = 25°C	13.7	mW/°C

Ordering Information

Part Number	Marking ³	Operating Temperature	Package
KTS1613EQU-TR	LBYYZ	-40°C to +85°C	UQFN2.0x1.5-10

Recommended Operating Range⁴

Description	Value
V _{DD}	-0.3V to 5.5V
RST0, RST1 SRO, nSRO	-0.3V to 5V

- Stresses above those listed in Absolute Maximum Ratings may cause permanent damage to the device. Functional operation at conditions other than the operating conditions specified is not implied. Only one Absolute Maximum rating should be applied at any one time.
- Junction to Ambient thermal resistance is highly dependent on PCB layout. Values are based on thermal properties of the device when soldered to a PCB board.
- “LBYYZ” is the device code, date code and assembly code respectively.
- The device is not guaranteed to function outside of recommended operating condition.

Electrical Characteristics⁵

The *Min* and *Max* specs are applied over the full operation temperature range of -40°C to +85°C, $V_{IN} = 1.6V$ to 5.5V unless otherwise noted, while *Typ* values are specified at $V_{DD} = 4.0V$ and room temperature ($T_A = 25^\circ C$) unless otherwise noted.

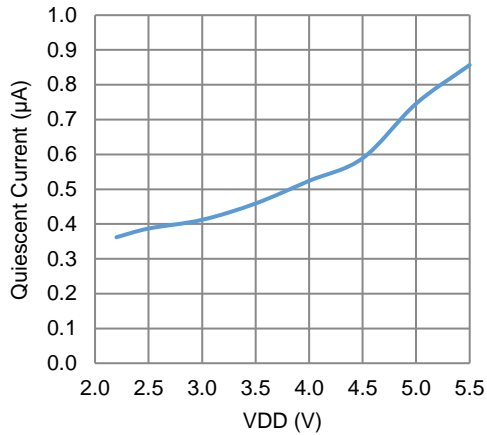
Symbol	Description	Conditions	Min	Typ	Max	Units
Basic Operation						
V_{DD}	Input Voltage Range		1.6		5.5	V
I_Q	Quiescent supply current	Standby (Exclude pull up/down resistor, Internal oscillator is off, $V_{DD} = 4V$)			1	μA
I_{SS}	Operation current	Active (Before reset signal output, Internal oscillator is on, $V_{DD} = 4V$)			10	μA
Digital IO						
V_{IL}	Digital input logic low level	RST0, RST1 pins $V_{DD} = 2.5V$ to $4.6V$			0.4	V
V_{IH}	Digital input logic high level		1.0			V
V_{OL}	Digital output logic low level	SRO pin, $I = 1.2\mu A$ ($V_{DD} = 4V$)			0.3	V
V_{OH}	Digital output logic high level		$0.85 \cdot V_{DD}$	V_{DD}		V
I_L	RST0/RST1 input leakage current		-	-	1	μA
V_{OL}	Digital output logic low level	nSRO, $I_o = 2mA$			0.3	V
RESET						
T_R	Reset request time	$V_{DD} = 4V$	8.5	10	11.5	s
T_D	Reset pulse time			400		ms
ESD PROTECTION						
V_{ESD}	Human Body Model (HBM)	All pins		± 2		kV
	IEC61000-4-2 Contact discharge	V_{DD} pin		± 8		kV
	IEC61000-4-2 Air gap discharge	V_{DD} pin		± 15		kV

5. All specifications are 100% production tested at $T_A = +25^\circ C$, unless otherwise noted. Specifications are over -40°C to +85°C and are guaranteed by design.

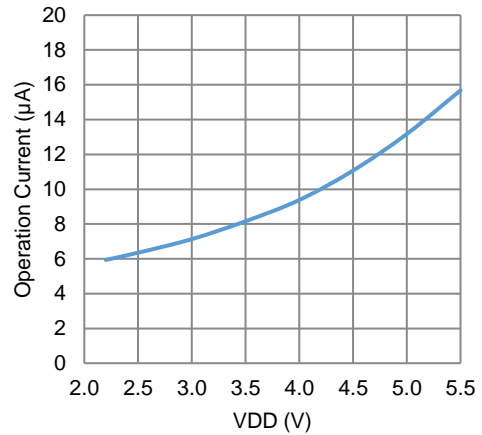
Typical Characteristics

$V_{DD} = 4V$, $T_A = 25^\circ C$ unless otherwise specified.

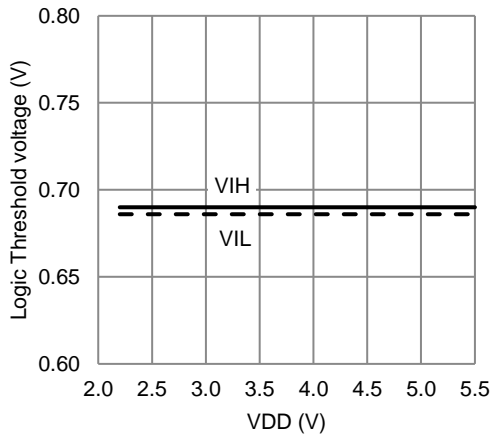
Quiescent Current vs. VDD



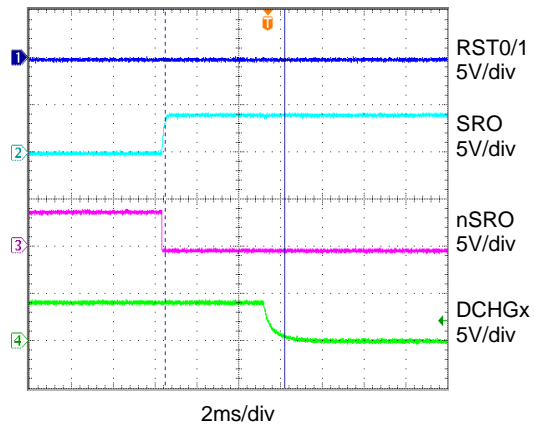
Operation Current vs. VDD (before Reset pulse)



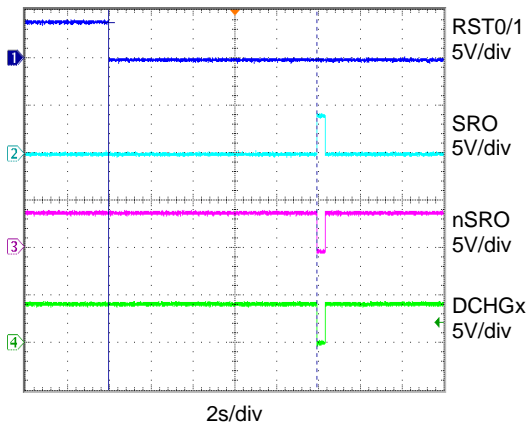
RST0/RST1 Digital Input Logic Threshold Vs. VDD



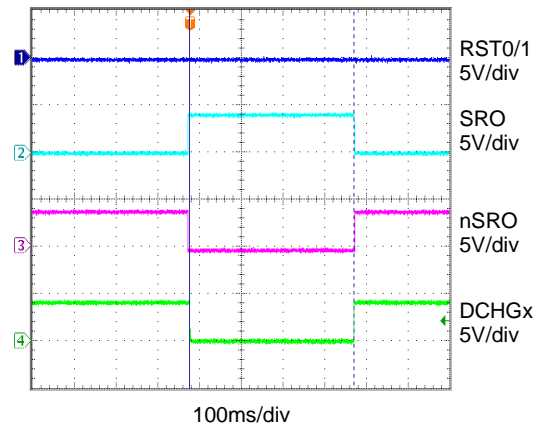
Reset Mode Trigger



Enter Reset Mode



Reset Mode Pulse



Function Description

Reset Timing

Reset occurs only after both RST0 and RST1 stay low for T_r duration, SRO output goes high for $T_d = 400ms$, then SRO output goes low.

If RST0 & RST1 stay low indefinitely, KTS1613 only resets one time.

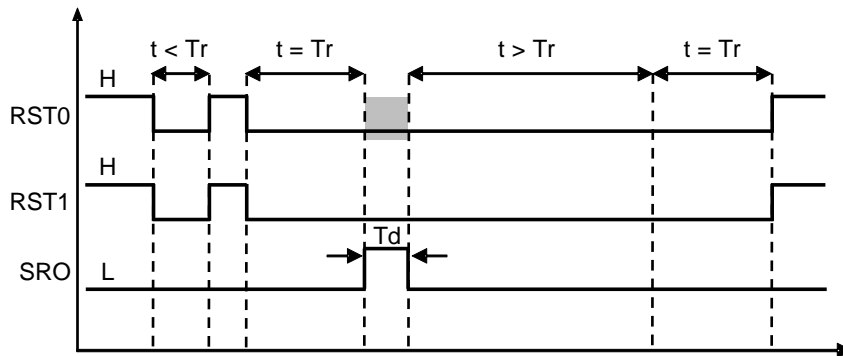


Figure 1. Reset Timing

Soft Turn ON and OFF

SRO output has soft turn on and turn off feature in order to reduce VBAT rising and falling overshoot. The output rising and falling time equal to 2ms typical.

nSRO is an open-drain output pin, there is no soft turn on & off feature for nSRO. The timing of SRO and nSRO is shown in Figure 4.

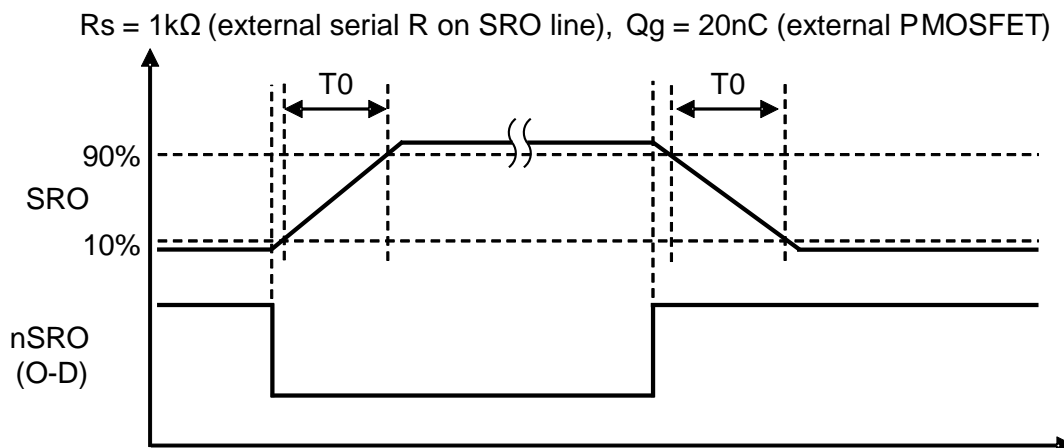


Figure 2. SRO Soft Turn ON and OFF Timing

Functional Block Diagram

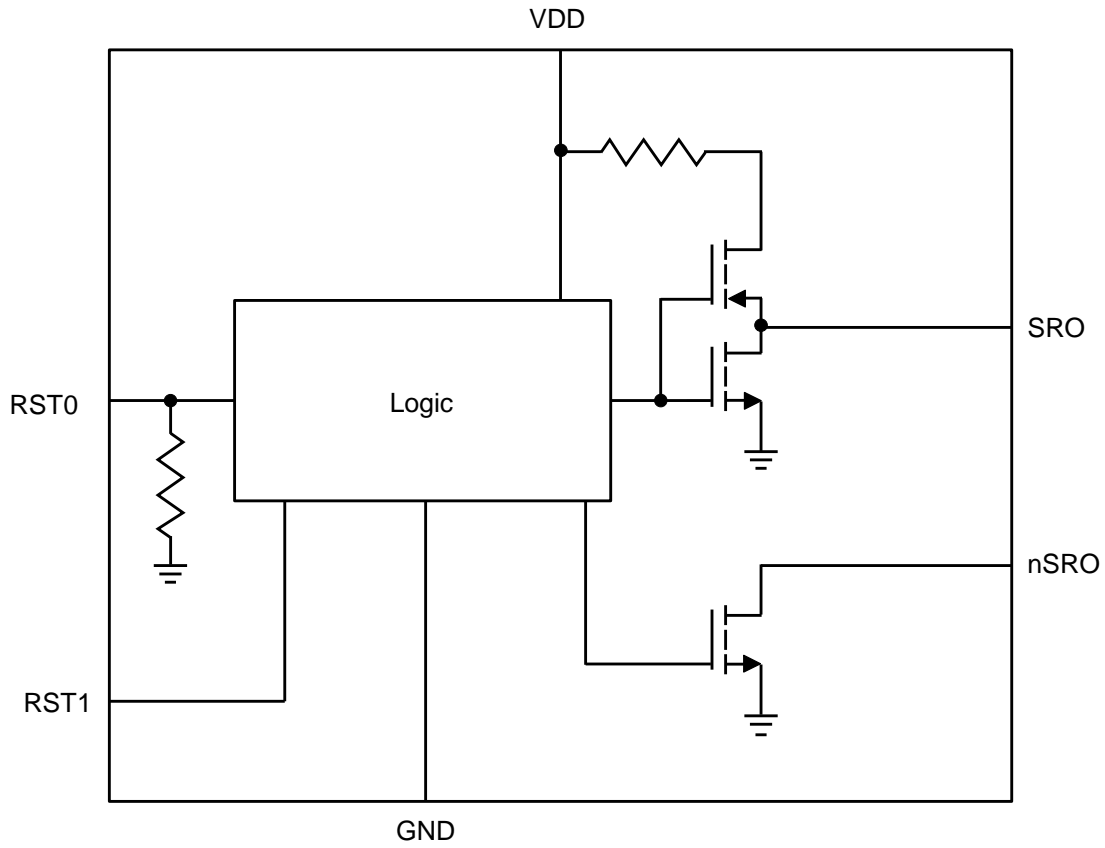


Figure 3. Block Diagram

Application Circuit

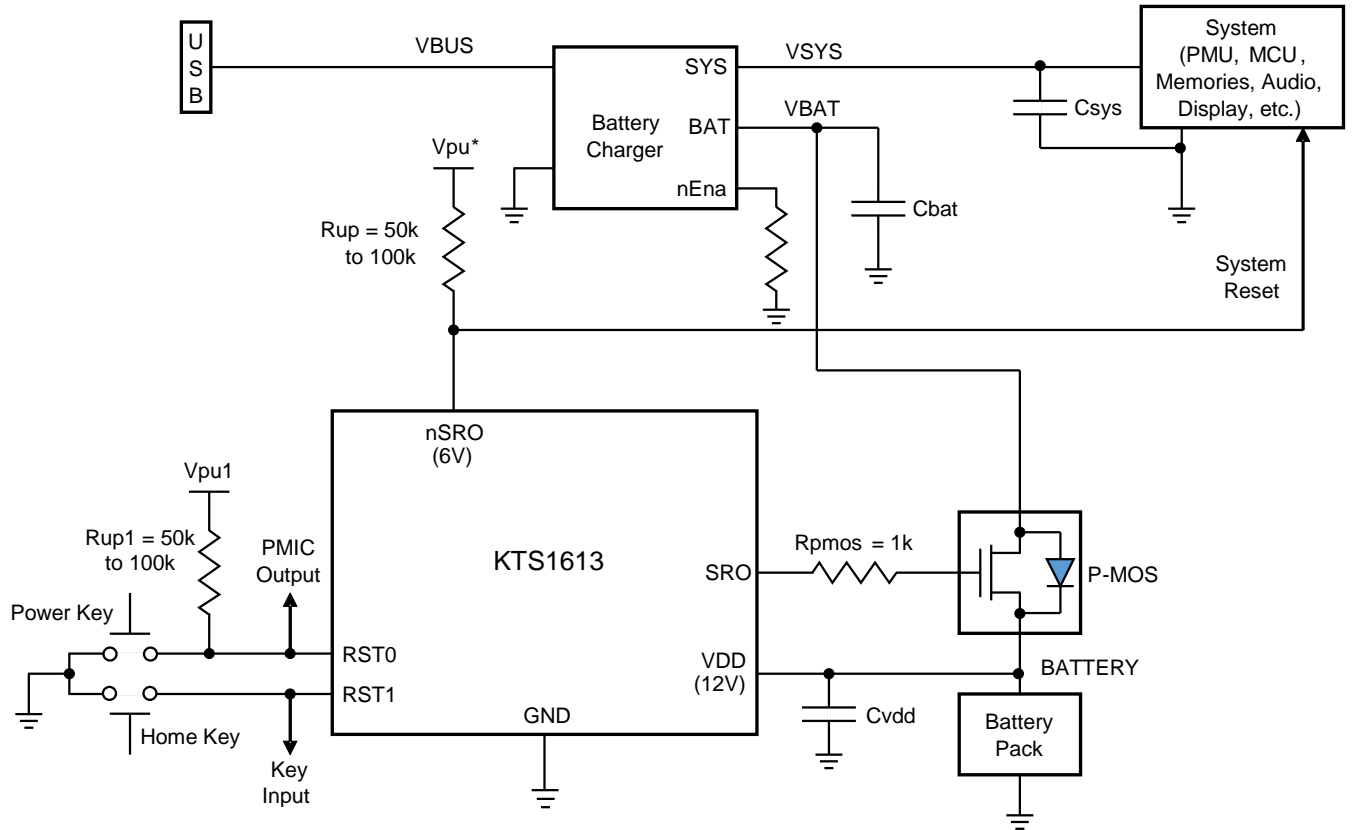
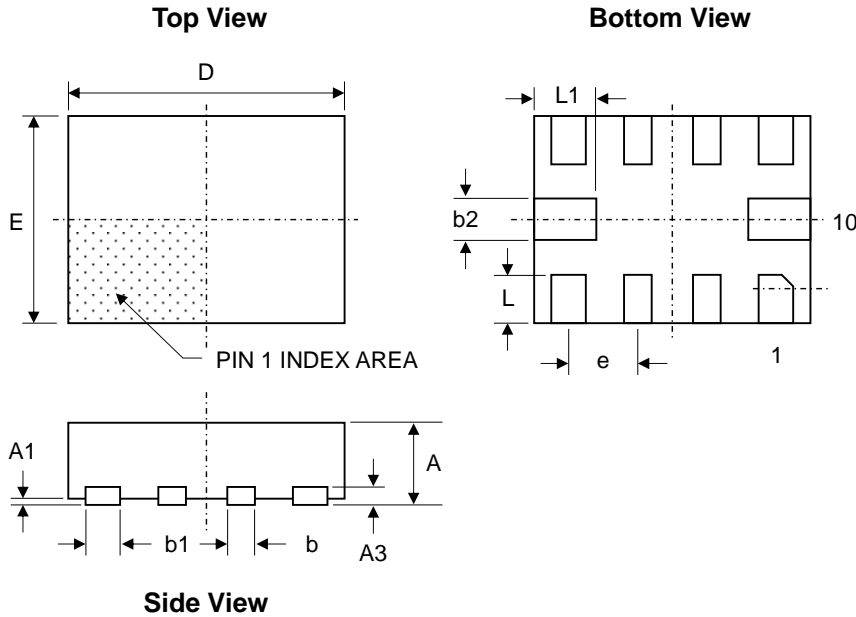


Figure 4. Application Circuit

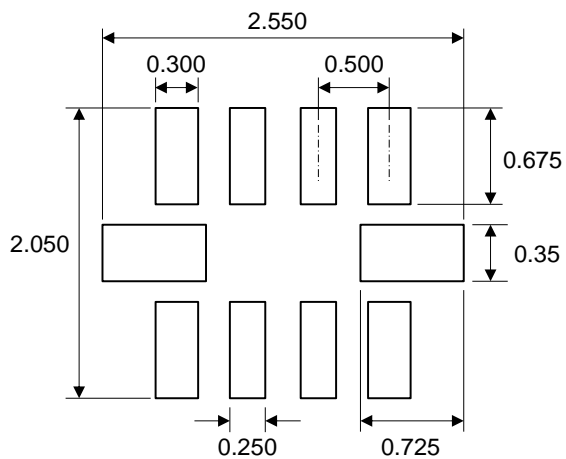
Packaging Information

UQFN2.0x1.5-10 (2.0mm x 1.50mm x 0.55mm)



Dimension	mm		
	Min.	Typ.	Max.
A	0.50	0.55	0.60
A1	0.00	-	0.05
A3	0.152 REF		
b	0.15	0.20	0.25
b1	0.20	0.25	0.30
b2	0.25	0.30	0.35
D	1.95	2.00	2.05
D2	-	-	-
E	1.45	1.50	1.55
E2	-	-	-
e	0.50 REF		
L	0.30	0.35	0.40
L1	0.40	0.45	0.50

Recommended Footprint



* Dimensions are in millimeters.

Kinetic Technologies cannot assume responsibility for use of any circuitry other than circuitry entirely embodied in a Kinetic Technologies product. No intellectual property or circuit patent licenses are implied. Kinetic Technologies reserves the right to change the circuitry and specifications without notice at any time.



Компания «ЭлектроПласт» предлагает заключение долгосрочных отношений при поставках импортных электронных компонентов на взаимовыгодных условиях!

Наши преимущества:

- Оперативные поставки широкого спектра электронных компонентов отечественного и импортного производства напрямую от производителей и с крупнейших мировых складов;
- Поставка более 17-ти миллионов наименований электронных компонентов;
- Поставка сложных, дефицитных, либо снятых с производства позиций;
- Оперативные сроки поставки под заказ (от 5 рабочих дней);
- Экспресс доставка в любую точку России;
- Техническая поддержка проекта, помощь в подборе аналогов, поставка прототипов;
- Система менеджмента качества сертифицирована по Международному стандарту ISO 9001;
- Лицензия ФСБ на осуществление работ с использованием сведений, составляющих государственную тайну;
- Поставка специализированных компонентов (Xilinx, Altera, Analog Devices, Intersil, Interpoint, Microsemi, Aeroflex, Peregrine, Syfer, Eurofarad, Texas Instrument, Miteq, Cobham, E2V, MA-COM, Hittite, Mini-Circuits, General Dynamics и др.);

Помимо этого, одним из направлений компании «ЭлектроПласт» является направление «Источники питания». Мы предлагаем Вам помощь Конструкторского отдела:

- Подбор оптимального решения, техническое обоснование при выборе компонента;
- Подбор аналогов;
- Консультации по применению компонента;
- Поставка образцов и прототипов;
- Техническая поддержка проекта;
- Защита от снятия компонента с производства.



Как с нами связаться

Телефон: 8 (812) 309 58 32 (многоканальный)

Факс: 8 (812) 320-02-42

Электронная почта: org@eplast1.ru

Адрес: 198099, г. Санкт-Петербург, ул. Калинина, дом 2, корпус 4, литера А.