



DisplayPort Intel® FPGA IP User Guide

Updated for Intel® Quartus® Prime Design Suite: **20.2**

IP Version: **19.3.0**



[Subscribe](#)

[Send Feedback](#)

UG-01131 | 2020.06.22

Latest document on the web: [PDF](#) | [HTML](#)



Contents

1. DisplayPort Intel® FPGA IP Quick Reference.....	9
1.1. DisplayPort Terms and Acronyms.....	10
2. About This IP.....	13
2.1. Release Information.....	13
2.2. Device Family Support.....	14
2.3. IP Core Verification.....	16
2.4. Performance and Resource Utilization.....	16
3. Getting Started.....	18
3.1. Installing and Licensing Intel FPGA IP Cores.....	18
3.1.1. Intel FPGA IP Evaluation Mode.....	19
3.2. Specifying IP Parameters and Options.....	21
3.3. Simulating the Design.....	21
3.3.1. Simulating with the ModelSim Simulator.....	22
3.4. Compiling the Full Design and Programming the FPGA.....	22
4. DisplayPort Intel FPGA IP Hardware Design Examples.....	23
4.1. DisplayPort Intel FPGA IP Hardware Design Examples for Intel Arria 10, Intel Cyclone 10 GX, and Intel Stratix 10 Devices.....	23
4.2. HDCP Over DisplayPort Design Example for Intel Arria 10 and Intel Stratix 10 Devices..	23
4.3. DisplayPort Intel FPGA IP Hardware Design Examples for Arria V, Cyclone V, and Stratix V Devices.....	24
4.3.1. Clock Recovery Core.....	28
4.3.2. Transceiver and Clocking.....	33
4.3.3. Required Hardware.....	35
4.3.4. Design Walkthrough.....	35
4.3.5. DisplayPort Link Training Flow.....	41
4.3.6. DisplayPort Post Link Training Adjust Request Flow (LQA).....	42
4.3.7. DisplayPort MST Source User Application.....	43
5. DisplayPort Source.....	45
5.1. Main Data Path.....	46
5.1.1. Video Packetizer Path.....	47
5.1.2. Video Geometry Measurement Path.....	47
5.1.3. Audio and Secondary Stream Encoder Path.....	48
5.1.4. Training and Link Quality Patterns Generator.....	48
5.2. Controller Interface.....	49
5.3. Sideband Channel.....	49
5.4. Source Embedded DisplayPort (eDP) Support.....	49
5.5. HDCP 1.3 TX Architecture.....	49
5.6. HDCP 2.3 TX Architecture.....	53
5.7. Source Interfaces.....	59
5.7.1. Controller Interface.....	65
5.7.2. AUX Interface.....	66
5.7.3. Video Interface.....	66
5.7.4. TX Transceiver Interface.....	70
5.7.5. Transceiver Reconfiguration Interface.....	70
5.7.6. Transceiver Analog Reconfiguration Interface.....	71



5.7.7. Secondary Stream Interface.....	71
5.7.8. Audio Interface.....	75
5.8. Source Clock Tree.....	78
6. DisplayPort Sink.....	80
6.1. Sink Embedded DisplayPort (eDP) Support.....	82
6.2. Sink Non-GPU Mode Support.....	83
6.3. HDCP 1.3 RX Architecture.....	83
6.4. HDCP 2.3 RX Architecture.....	89
6.5. Sink Interfaces.....	93
6.5.1. Controller Interface.....	100
6.5.2. AUX Interface.....	100
6.5.3. Debugging Interface.....	101
6.5.4. Video Interface.....	102
6.5.5. Clocked Video Input Interface.....	104
6.5.6. RX Transceiver Interface.....	105
6.5.7. Transceiver Reconfiguration Interface.....	106
6.5.8. Secondary Stream Interface.....	107
6.5.9. Audio Interface.....	109
6.5.10. Non-GPU Mode EDID Interface.....	110
6.5.11. MSA Interface.....	110
6.6. Sink Clock Tree.....	112
7. DisplayPort Intel FPGA IP Parameters.....	114
7.1. DisplayPort Intel FPGA IP Source Parameters.....	114
7.2. DisplayPort Intel FPGA IP Sink Parameters	116
8. DisplayPort Intel FPGA IP Simulation Example.....	118
8.1. Design Walkthrough.....	118
8.1.1. Copy the Simulation Files to Your Working Directory.....	119
8.1.2. Generate the IP Simulation Files and Scripts, and Compile and Simulate.....	120
8.1.3. View the Results.....	121
9. DisplayPort API Reference.....	124
9.1. Using the Library.....	124
9.2. btc_dprx_syslib API Reference.....	126
9.3. btc_dprx_aux_get_request.....	126
9.4. btc_dprx_aux_handler.....	127
9.5. btc_dprx_aux_post_reply.....	128
9.6. btc_dprx_baseaddr.....	128
9.7. btc_dprx_dpccd_gpu_access.....	128
9.8. btc_dprx_edid_set.....	129
9.9. btc_dprx_hpd_get.....	129
9.10. btc_dprx_hpd_pulse.....	130
9.11. btc_dprx_hpd_set.....	130
9.12. btc_dprx_lt_eyeq_init.....	131
9.13. btc_dprx_lt_force.....	131
9.14. btc_dprx_rtl_ver.....	132
9.15. btc_dprx_sw_ver.....	132
9.16. btc_dprx_syslib_add_rx.....	132
9.17. btc_dprx_syslib_info.....	133
9.18. btc_dprx_syslib_init.....	133



9.19. btc_dprx_syslib_monitor.....	134
9.20. btc_dprx_mst_link_addr_rep_set.....	134
9.21. btc_dprx_mst_conn_stat_notify_req.....	135
9.22. btc_dprx_mst_conn_stat_notify_rep.....	135
9.23. btc_dptx_syslib API Reference.....	136
9.24. btc_dptx_aux_i2c_read.....	136
9.25. btc_dptx_aux_i2c_write.....	137
9.26. btc_dptx_aux_read.....	137
9.27. btc_dptx_aux_write.....	138
9.28. btc_dptx_baseaddr.....	138
9.29. btc_dptx_edid_block_read.....	139
9.30. btc_dptx_edid_read.....	139
9.31. btc_dptx_fast_link_training.....	140
9.32. btc_dptx_hpd_change.....	140
9.33. btc_dptx_is_link_up.....	141
9.34. btc_dptx_link_bw.....	141
9.35. btc_dptx_link_training.....	141
9.36. btc_dptx_rtl_ver.....	142
9.37. btc_dptx_set_color_space.....	142
9.38. btc_dptx_sw_ver.....	143
9.39. btc_dptx_syslib_add_tx.....	143
9.40. btc_dptx_syslib_init.....	143
9.41. btc_dptx_syslib_monitor.....	144
9.42. btc_dptx_test_autom.....	144
9.43. btc_dptx_video_enable.....	144
9.44. btc_dptx_mst_allocate_payload_rep.....	145
9.45. btc_dptx_mst_allocate_payload_req.....	145
9.46. btc_dptx_mst_clear_payload_table_rep.....	146
9.47. btc_dptx_mst_clear_payload_table_req.....	146
9.48. btc_dptx_mst_conn_stat_notify_req.....	147
9.49. btc_dptx_mst_down_rep_irq.....	147
9.50. btc_dptx_mst_enable.....	147
9.51. btc_dptx_mst_enum_path_rep.....	148
9.52. btc_dptx_mst_enum_path_req.....	148
9.53. btc_dptx_mst_get_msg_transact_ver_rep.....	149
9.54. btc_dptx_mst_get_msg_transact_ver_req.....	149
9.55. btc_dptx_mst_link_address_rep.....	149
9.56. btc_dptx_mst_link_address_req.....	150
9.57. btc_dptx_mst_remote_dpcd_wr_rep.....	150
9.58. btc_dptx_mst_remote_dpcd_wr_req.....	151
9.59. btc_dptx_mst_remote_i2c_rd_rep.....	151
9.60. btc_dptx_mst_remote_i2c_rd_req.....	152
9.61. btc_dptx_mst_set_color_space.....	152
9.62. btc_dptx_mst_tavgts_set.....	153
9.63. btc_dptx_mst_up_req_irq.....	153
9.64. btc_dptx_mst_vcpid_set.....	154
9.65. btc_dptx_mst_vcptab_addvc.....	154
9.66. btc_dptx_mst_vcptab_clear.....	155
9.67. btc_dptx_mst_vcptab_delvc.....	155
9.68. btc_dptx_mst_vcptab_update.....	155
9.69. btc_dptxll_syslib API Reference.....	156



9.70. btc_dptxll_hpd_change.....	156
9.71. btc_dptxll_hpd_irq.....	156
9.72. btc_dptxll_mst_cmp_ports.....	157
9.73. btc_dptxll_mst_edid_read_rep.....	157
9.74. btc_dptxll_mst_edid_read_req.....	158
9.75. btc_dptxll_mst_get_device_ports.....	158
9.76. btc_dptxll_mst_set_csn_callback.....	158
9.77. btc_dptxll_mst_topology_discover.....	159
9.78. btc_dptxll_stream_allocate_rep.....	159
9.79. btc_dptxll_stream_allocate_req.....	160
9.80. btc_dptxll_stream_calc_VCP_size.....	160
9.81. btc_dptxll_stream_delete_rep.....	161
9.82. btc_dptxll_stream_delete_req.....	161
9.83. btc_dptxll_stream_get.....	162
9.84. btc_dptxll_stream_set_color_space.....	162
9.85. btc_dptxll_stream_set_pixel_rate.....	163
9.86. btc_dptxll_sw_ver.....	163
9.87. btc_dptxll_syslib_add_tx.....	164
9.88. btc_dptxll_syslib_init.....	164
9.89. btc_dptxll_syslib_monitor.....	165
9.90. btc_dpxx_syslib Additional Types.....	165
9.91. btc_dprx_syslib Supported DPCD Locations.....	165
10. DisplayPort Source Register Map and DPCD Locations.....	166
10.1. Source General Registers.....	166
10.1.1. DPTX_TX_CONTROL.....	166
10.1.2. DPTX_TX_STATUS.....	167
10.1.3. DPTX_TX_VERSION.....	168
10.2. Source MSA Registers.....	168
10.2.1. DPTX0_MSA_MVID.....	168
10.2.2. DPTX0_MSA_NVID.....	169
10.2.3. DPTX0_MSA_HTOTAL.....	169
10.2.4. DPTX0_MSA_VTOTAL.....	169
10.2.5. DPTX0_MSA_HSP.....	170
10.2.6. DPTX0_MSA_HSW.....	170
10.2.7. DPTX0_MSA_HSTART.....	170
10.2.8. DPTX0_MSA_VSTART.....	171
10.2.9. DPTX0_MSA_VSP.....	171
10.2.10. DPTX0_MSA_VSW.....	171
10.2.11. DPTX0_MSA_HWIDTH.....	172
10.2.12. DPTX0_MSA_VHEIGHT.....	172
10.2.13. DPTX0_MSA_MISC0.....	172
10.2.14. DPTX0_MSA_MISC1.....	173
10.2.15. DPTX0_MSA_COLOR.....	173
10.2.16. DPTX0_VBID.....	174
10.3. Source Link PHY Control and Status.....	174
10.3.1. DPTX_PRE_VOLT0.....	174
10.3.2. DPTX_PRE_VOLT1.....	175
10.3.3. DPTX_PRE_VOLT2.....	175
10.3.4. DPTX_PRE_VOLT3.....	175
10.3.5. DPTX_RECONFIG.....	176



- 10.3.6. DPTX_TEST_80BIT_PATTERN1.....176
- 10.3.7. DPTX_TEST_80BIT_PATTERN2.....176
- 10.3.8. DPTX_TEST_80BIT_PATTERN3.....177
- 10.4. Source Timestamp.....177
- 10.5. Source CRC Registers..... 177
- 10.6. Source Audio Registers..... 178
- 10.7. Source MST Registers..... 179
 - 10.7.1. DPTX_MST_VCPTAB0..... 180
 - 10.7.2. DPTX_MST_VCPTAB1..... 180
 - 10.7.3. DPTX_MST_VCPTAB2..... 181
 - 10.7.4. DPTX_MST_VCPTAB3..... 181
 - 10.7.5. DPTX_MST_VCPTAB4..... 181
 - 10.7.6. DPTX_MST_VCPTAB5..... 182
 - 10.7.7. DPTX_MST_VCPTAB6..... 182
 - 10.7.8. DPTX_MST_VCPTAB7..... 183
 - 10.7.9. DPTX_MST_TAVG_TS..... 183
- 10.8. Source AUX Controller Interface..... 184
 - 10.8.1. DPTX_AUX_CONTROL..... 184
 - 10.8.2. DPTX_AUX_COMMAND..... 185
 - 10.8.3. DPTX_AUX_BYTE0..... 185
 - 10.8.4. DPTX_AUX_BYTE1..... 186
 - 10.8.5. DPTX_AUX_BYTE2..... 186
 - 10.8.6. DPTX_AUX_BYTE3..... 186
 - 10.8.7. DPTX_AUX_BYTE4..... 187
 - 10.8.8. DPTX_AUX_BYTE5..... 187
 - 10.8.9. DPTX_AUX_BYTE6..... 187
 - 10.8.10. DPTX_AUX_BYTE7..... 188
 - 10.8.11. DPTX_AUX_BYTE8..... 188
 - 10.8.12. DPTX_AUX_BYTE9..... 188
 - 10.8.13. DPTX_AUX_BYTE10.....189
 - 10.8.14. DPTX_AUX_BYTE11.....189
 - 10.8.15. DPTX_AUX_BYTE12.....189
 - 10.8.16. DPTX_AUX_BYTE13.....190
 - 10.8.17. DPTX_AUX_BYTE14.....190
 - 10.8.18. DPTX_AUX_BYTE15.....190
 - 10.8.19. DPTX_AUX_BYTE16.....191
 - 10.8.20. DPTX_AUX_BYTE17.....191
 - 10.8.21. DPTX_AUX_BYTE18.....191
 - 10.8.22. DPTX_AUX_RESET..... 191
- 10.9. Source-Supported DPCD Locations.....192
- 11. DisplayPort Sink Register Map and DPCD Locations..... 194**
 - 11.1. Sink General Registers..... 194
 - 11.1.1. DPRX_RX_CONTROL..... 194
 - 11.1.2. DPRX_RX_STATUS..... 195
 - 11.1.3. DPRX_BER_CONTROL..... 196
 - 11.1.4. DPRX_BER_CNT0..... 197
 - 11.1.5. DPRX_BER_CNT1..... 198
 - 11.2. Sink Timestamp..... 198
 - 11.3. Sink Bit-Error Counters..... 198
 - 11.3.1. DPRX_BER_CNTI0..... 199



11.3.2. DPRX_BER_CNTI1.....	199
11.4. Sink MSA Registers.....	199
11.4.1. DPRX0_MSA_MVID.....	200
11.4.2. DPRX0_MSA_NVID.....	200
11.4.3. DPRX0_MSA_HTOTAL.....	200
11.4.4. DPRX0_MSA_VTOTAL.....	200
11.4.5. DPRX0_MSA_HSP.....	201
11.4.6. DPRX0_MSA_HSW.....	201
11.4.7. DPRX0_MSA_HSTART.....	201
11.4.8. DPRX0_MSA_VSTART.....	202
11.4.9. DPRX0_MSA_VSP.....	202
11.4.10. DPRX0_MSA_VSW.....	202
11.4.11. DPRX0_MSA_HWIDTH.....	202
11.4.12. DPRX0_MSA_VHEIGHT.....	203
11.4.13. DPRX0_MSA_MISCO.....	203
11.4.14. DPRX0_MSA_MISC1.....	203
11.4.15. DPRX0_MSA_COLOR.....	204
11.4.16. DPRX0_VBID.....	204
11.5. Sink Audio Registers.....	205
11.5.1. DPRX0_AUD_MAUD.....	205
11.5.2. DPRX0_AUD_NAUD.....	205
11.5.3. DPRX0_AUD_AIF0.....	205
11.5.4. DPRX0_AUD_AIF1.....	206
11.5.5. DPRX0_AUD_AIF2.....	206
11.5.6. DPRX0_AUD_AIF3.....	206
11.5.7. DPRX0_AUD_AIF4.....	207
11.6. Sink MST Registers.....	207
11.6.1. DPRX_MST_VCPTAB0.....	208
11.6.2. DPRX_MST_VCPTAB1.....	209
11.6.3. DPRX_MST_VCPTAB2.....	209
11.6.4. DPRX_MST_VCPTAB3.....	210
11.6.5. DPRX_MST_VCPTAB4.....	210
11.6.6. DPRX_MST_VCPTAB5.....	211
11.6.7. DPRX_MST_VCPTAB6.....	211
11.6.8. DPRX_MST_VCPTAB7.....	212
11.7. Sink AUX Controller Interface.....	212
11.7.1. DPRX_AUX_CONTROL.....	212
11.7.2. DPRX_AUX_STATUS.....	213
11.7.3. DPRX_AUX_COMMAND.....	214
11.7.4. DPRX_AUX_BYTE0.....	214
11.7.5. DPRX_AUX_BYTE1.....	214
11.7.6. DPRX_AUX_BYTE2.....	215
11.7.7. DPRX_AUX_BYTE3.....	215
11.7.8. DPRX_AUX_BYTE4.....	215
11.7.9. DPRX_AUX_BYTE5.....	216
11.7.10. DPRX_AUX_BYTE6.....	216
11.7.11. DPRX_AUX_BYTE7.....	216
11.7.12. DPRX_AUX_BYTE8.....	217
11.7.13. DPRX_AUX_BYTE9.....	217
11.7.14. DPRX_AUX_BYTE10.....	217
11.7.15. DPRX_AUX_BYTE11.....	218



- 11.7.16. DPRX_AUX_BYTE12..... 218
- 11.7.17. DPRX_AUX_BYTE13..... 218
- 11.7.18. DPRX_AUX_BYTE14..... 219
- 11.7.19. DPRX_AUX_BYTE15..... 219
- 11.7.20. DPRX_AUX_BYTE16..... 219
- 11.7.21. DPRX_AUX_BYTE17..... 220
- 11.7.22. DPRX_AUX_BYTE18..... 220
- 11.7.23. DPRX_AUX_I2C0..... 220
- 11.7.24. DPRX_AUX_I2C1..... 221
- 11.7.25. DPRX_AUX_RESET..... 221
- 11.7.26. DPRX_AUX_HPD..... 221
- 11.8. Sink CRC Registers..... 222
- 11.9. Sink-Supported DPCD Locations..... 223
- 12. DisplayPort Intel FPGA IP User Guide Archives..... 227**
- 13. Document Revision History for the DisplayPort Intel FPGA IP User Guide..... 228**

1. DisplayPort Intel® FPGA IP Quick Reference

The DisplayPort Intel® FPGA IP provides support for next-generation video display interface technology.

The DisplayPort Intel FPGA IP is part of the Intel FPGA IP Library, which is distributed with the Intel Quartus® Prime software..

Note: All information in this document refers to the Intel Quartus Prime Pro Edition software, unless stated otherwise.

Note: For system requirements and installation instructions, refer to the *Intel FPGA Software Installation and Licensing Manual*.

Information		Description
IP Core Information	Core Features	<ul style="list-style-type: none"> • Conforms to the <i>Video Electronics Standards Association (VESA) DisplayPort Standard version 1.4</i> • Scalable main data link <ul style="list-style-type: none"> – 1, 2, or 4 lane operation – 1.62, 2.7, 5.4, and 8.1 gigabits per second (Gbps) per lane with an embedded clock ⁽¹⁾ • Color support <ul style="list-style-type: none"> – RGB 18, 24, 30, 36, or 48 bpp – YCbCr 4:4:4 24, 30, 36, or 48 bpp – YCbCr 4:2:2 16, 20, 24, or 32 bpp – YCbCr 4:2:0 12, 15, 18, or 24 bpp • 40-bit (quad symbol) and 20-bit (dual symbol) transceiver data interface • Support for 1, 2, or 4 parallel pixels per clock • Support for 2 or 8 audio channels • Multi-stream transport (MST) support <ul style="list-style-type: none"> – Intel Arria® 10 devices support up to 4 streams – Intel Cyclone® 10 GX devices support up to 4 streams • Support for progressive and interlaced video • Source support for proprietary video image format (optional) • Support for sink non-GPU mode • Support for adaptive sync feature • Support for High Dynamic Range (HDR) metadata transport using secondary stream data packet
		<i>continued...</i>

⁽¹⁾ 8.1 Gbps is available only in the Intel Quartus Prime Pro Edition software.



Information		Description
		<ul style="list-style-type: none">Auxiliary channel for 2-way communication (link and device management)Hot plug detect (HPD)<ul style="list-style-type: none">Sink announces its presenceSink requests the source's attentionSupports the High-bandwidth Digital Content Protection (HDCP) feature for Intel Arria 10 and Intel Stratix® 10 devices
	Typical Application	<ul style="list-style-type: none">Interfaces within a PC or monitorExternal display connections, including interfaces between a PC and monitor or projector, between a PC and TV, or between a device such as a DVD player and TV display
	Device Family Support	Intel Stratix 10 (H-tile and L-tile), Intel Arria 10, Intel Cyclone 10 GX, Arria V, Cyclone V, and Stratix V FPGA devices.
	Design Tools	<ul style="list-style-type: none">IP Catalog in the Intel Quartus Prime software for IP design instantiation and compilationTiming Analyzer in the Intel Quartus Prime software for timing analysisModelSim* - Intel FPGA Edition, NCSim, Riviera-PRO*, VCS*/VCS MX, and Xcelium* Parallel software for design simulation

Note: The DisplayPort Intel FPGA IP provides support for Global Time Code (GTC). For further inquiries, contact your nearest Intel sales representative or file an Intel Premier Support (IPS) case at <https://www.intel.com/content/www/us/en/programmable/my-intel/mal-home.html>.

Note: The High-bandwidth Digital Content Protection (HDCP) feature is not included in the Intel Quartus Prime Pro Edition software. To access the HDCP feature, contact Intel at <https://www.intel.com/content/www/us/en/broadcast/products/programmable/applications/connectivity-solutions.html>.

Related Information

- [DisplayPort Intel Arria 10 FPGA IP Design Example User Guide](#)
For more information about the Intel Arria 10 design example.
- [DisplayPort Intel Cyclone 10 GX FPGA IP Design Example User Guide](#)
For more information about the Intel Cyclone 10 GX design example.
- [DisplayPort Intel Stratix 10 FPGA IP Design Example User Guide](#)
For more information about the Intel Stratix 10 design examples.
- [DisplayPort Intel FPGA IP User Guide Archives](#) on page 227
Provides a list of user guides for previous versions of the Intel FPGA DisplayPort IP.

1.1. DisplayPort Terms and Acronyms

The tables list the commonly used DisplayPort terms and acronyms.

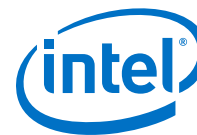


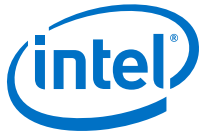
Table 1. DisplayPort Acronyms

Acronym	Description
API	Application Programming Interface
AUX	Auxiliary
bpc	Bits per Component
bpp	Bits per Pixel
BE	Blanking End
BS	Blanking Start
DP	DisplayPort
DPCD	DisplayPort Configuration Data
eDP	Embedded DisplayPort
EDID	Enhanced Display Identification Data
GPU	Graphics Processor Unit
HBR	High Bit Rate (2.7 Gbps per lane)
HBR2	High Bit Rate 2 (5.4 Gbps per lane)
HBR3	High Bit Rate 3 (8.1 Gbps per lane)
HPD	Hot Plug Detect
MST	Multi-Stream Transport
Maud	M value for audio
Mvid	M value for video
Naud	N value for audio
Nvid	N value for video
RBR	Reduced Bit Rate (1.62 Gbps per lane)
RGB	Red Green Blue
RX	Receiver
SDP	Secondary-Data Packet
SE	SDP End
SR	Scrambler Reset
SS	SDP Start
SST	Single-Stream Transport
TX	Transmitter

Table 2. DisplayPort Terms

Term	Definition
Link Symbol Clock (L _{Sym} _Clk)	Link Symbol clock frequency ($f_{L\text{Sym_Clk}}$) across link rate: - <ul style="list-style-type: none"> • HBR3 (8.1Gbps) = 810 MHz • HBR2 (5.4Gbps) = 540 MHz • HBR (2.7Gbps) = 270 MHz • RBR (1.62Gbps) = 162 MHz

continued...



Term	Definition
	<i>Note:</i> LSym_Clk is equivalent to LS_Clk in <i>VESA DisplayPort Standard version 1.4</i> .
Link Speed Clock (ls_clk)	Transceiver recovered clock out. Link Speed clock frequency equals: $f_{LSym_Clk} / SYMBOLES_PER_CLOCK$.
Stream Clock or Pixel Clock (Strm_Clk)	Used for transferring stream data into a DisplayPort transmitter within a DisplayPort Source device or from a DisplayPort receiver within a DP Sink device. Video and audio (optional) are likely to have separate stream clocks. Stream clock frequency (f_{Strm_Clk}) represent the pixel rate. For example, f_{Strm_Clk} for 1080p60 (CEA-861-F VIC16) is 148.5 Mhz.
Video Clock (vid_clk)	Video clock frequency equals: $f_{Strm_Clk} / PIXELS_PER_CLOCK$

2. About This IP

This document describes the DisplayPort Intel FPGA IP, which provides support for next-generation video display interface technology. The Video Electronics Standards Association (VESA) defines the DisplayPort standard as an open digital communications interface for use in internal connections such as:

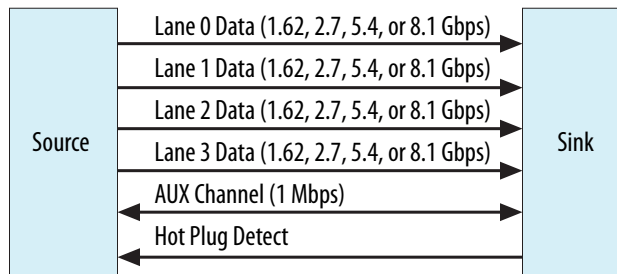
- Interfaces within a PC or monitor
- External display connections, including interfaces between a PC and monitor or projector, between a PC and TV, or between a device such as a DVD player and TV display

The DisplayPort Intel FPGA IP supports scalable Main Link with 1, 2, or 4 lanes, with 4 selectable data rates on each lane: 1.62 Gbps, 2.7 Gbps, 5.4 Gbps, and 8.1 Gbps.

Main Link transports video and audio streams with embedded clocking to decoupled pixel and audio clocks from the transmission clock. The IP transmits Main Link's data in scrambled ANSI 8B/10B format and includes redundancy in the data transmission for error detection. For secondary data, such as audio, the IP uses Solomon Reed coding for error detection.

The DisplayPort's AUX channel consists of an AC-coupled terminated differential pair. AUX channel uses Manchester II coding for its channel coding and provides a data rate of 1 Mbps. Each transaction takes less than 500 μ s with a maximum burst data size of 16 bytes.

Figure 1. DisplayPort Source and Sink Communication



2.1. Release Information

IP versions are the same as the Intel Quartus Prime Design Suite software versions up to v19.1. From Intel Quartus Prime Design Suite software version 19.2 or later, IP cores have a new IP versioning scheme.



The IP version (X.Y.Z) number may change from one Intel Quartus Prime software version to another. A change in:

- X indicates a major revision of the IP. If you update your Intel Quartus Prime software, you must regenerate the IP.
- Y indicates the IP includes new features. Regenerate your IP to include these new features.
- Z indicates the IP includes minor changes. Regenerate your IP to include these changes.

Table 3. DisplayPort Intel FPGA IP Release Information

Item	Description
IP Version	19.3.0
Intel Quartus Prime Version	20.2
Release Date	2020.06.22
Ordering Code	IP-DP

Related Information

[DisplayPort Intel FPGA IP Release Notes](#)

Describes changes to the IP in a particular release.

2.2. Device Family Support

Table 4. Intel Device Family Support

Device Family	Support Level
Intel Stratix 10 (H-tile and L-tile)	Final
Intel Arria 10	Final
Intel Cyclone 10 GX	Final
Arria V GX/GT/GS	Final
Arria V GZ	Final
Cyclone V	Final
Stratix V	Final



The following terms define device support levels for Intel FPGA IP cores:

- Advance support—the IP core is available for simulation and compilation for this device family. Timing models include initial engineering estimates of delays based on early post-layout information. The timing models are subject to change as silicon testing improves the correlation between the actual silicon and the timing models. You can use this IP core for system architecture and resource utilization studies, simulation, pinout, system latency assessments, basic timing assessments (pipeline budgeting), and I/O transfer strategy (data-path width, burst depth, I/O standards tradeoffs).
- Preliminary support—the IP core is verified with preliminary timing models for this device family. The IP core meets all functional requirements, but might still be undergoing timing analysis for the device family. It can be used in production designs with caution.
- Final support—the IP core is verified with final timing models for this device family. The IP core meets all functional and timing requirements for the device family and can be used in production designs.

The following table lists the link rate support offered by the DisplayPort Intel FPGA IP for each Intel FPGA family.

Table 5. Link Rate Support by Device Family

Device Family	Dual Symbol (20-Bit Mode)	Quad Symbol (40-Bit Mode)	FPGA Fabric Speed Grade
Intel Stratix 10 (H-tile and L-tile)	RBR, HBR, HBR2	RBR, HBR, HBR2, HBR3	1, 2, 3 ⁽²⁾
Intel Arria 10	RBR, HBR, HBR2	RBR, HBR, HBR2, HBR3	1, 2
Intel Cyclone 10 GX	RBR, HBR, HBR2	RBR, HBR, HBR2, HBR3	5, 6
Stratix V	RBR, HBR, HBR2	RBR, HBR, HBR2	1, 2, 3
Arria V GX/GT/GS	RBR, HBR	RBR, HBR, HBR2	3, 4, 5
Arria V GZ	RBR, HBR, HBR2	RBR, HBR, HBR2	Any supported speed grade
Cyclone V	RBR, HBR	RBR, HBR	Any supported speed grade

Table 6. Adaptive Sync Support by Device Family

The Adaptive Sync feature is available only in the Intel Quartus Prime Pro Edition software.

Device Family	Adaptive Sync Support
Intel Stratix 10 (H-tile and L-tile)	Yes
Intel Arria 10	Yes
Intel Cyclone 10 GX	Yes

To enable the Adaptive Sync feature, refer to [Table 29](#) on page 66 and [Video Interface \(TX Video IM Enable = 1\)](#) on page 68. For detailed implementation of the feature, refer to the *DisplayPort SST Parallel Loopback with Adaptive Sync Support* section in the respective DisplayPort Intel FPGA IP design example user guides.

⁽²⁾ Conditional support for Intel Arria 10 and Intel Stratix 10 FPGA Fabric Speed Grade 3. Contact your sales representative for more information.



2.3. IP Core Verification

Before releasing a publicly available version of the DisplayPort Intel FPGA IP, Intel runs a comprehensive verification suite in the current version of the Intel Quartus Prime software. These tests use standalone methods and the Platform Designer system integration tool to create the instance files. These files are tested in simulation and hardware to confirm functionality. Intel tests and verifies the DisplayPort Intel FPGA IP in hardware for different platforms and environments.

2.4. Performance and Resource Utilization

The resource utilization data indicates typical expected performance for the DisplayPort Intel FPGA IP.

The following table lists the resources and expected performance for selected variations. The results were obtained using the Intel Quartus Prime Pro Edition software version 20.2 for the following devices:

- Intel Arria 10 (10AX115S2F45I1SG)
- Intel Cyclone 10 GX (10CX220YF780E5G)
- Intel Stratix 10 (1SG280HU1F50E2VGS1)

Table 7. DisplayPort Intel FPGA IP Resource Utilization

The table below shows the resource information for Intel Arria 10, Intel Cyclone 10 GX, and Intel Stratix 10 devices using M20K. The resources were obtained using the following parameter settings:

- Mode = simplex
- Maximum lane count = 4 lanes
- Maximum video input color depth = 8 bits per color (bpc)
- Pixel input mode = 1 pixel per clock

Device	Streams	Direction	Symbol per Clock	ALMs	Logic Registers		Memory	
					Primary	Secondary	Bits	M10K or M20K
Intel Stratix 10	SST (Single Stream)	RX	Dual	5,200	7,700	640	16,256	11
			Quad	7,100	9,500	880	18,816	14
		TX	Dual	5,100	7,100	420	12,176	15
			Quad	7,100	9,200	550	22,688	29
Intel Arria 10	SST (Single Stream)	RX	Dual	4,200	6,900	1,200	16,256	11
			Quad	6,000	8,800	1,600	18,816	14
		TX	Dual	4,700	6,300	1,000	6,728	6
			Quad	6,700	8,400	1,200	16,520	13
	MST (4 Streams)	RX	Quad	20,100	24,400	4,500	58,368	32
		TX	Quad	26,400	29,000	4,300	21,728	34
Intel Cyclone 10 GX	SST (Single Stream)	RX	Dual	4,200	7,000	1,200	16,256	11
			Quad	6,000	8,800	1,600	18,816	14

continued...



Device	Streams	Direction	Symbol per Clock	ALMs	Logic Registers		Memory	
					Primary	Secondary	Bits	M10K or M20K
		TX	Dual	4,600	6,200	1,000	10,568	8
			Quad	6,800	8,400	1,200	17,096	13
	MST (4 Streams)	RX	Dual	22,000	24,400	4,400	58,368	32
		TX	Quad	26,500	29,000	4,400	36,576	32

Table 8. HDCP Resource Utilization

The table lists the HDCP resource data for DisplayPort Intel FPGA IP at maximum lane of 4 configuration for Intel Arria 10 and Intel Stratix 10 devices.

Device	HDCP IP	Symbols per Clock	ALMs	Combinatorial ALUTs	Registers	M20K	DSP
Intel Arria 10	HDCP 2.3 TX	Dual	6,752	10,724	13,138	10	3
		Quad	9,934	16,760	16,716	10	3
	HDCP 2.3 RX	Dual	7,395	11,721	13,775	11	3
		Quad	10,547	17,674	17,335	11	3
	HDCP 1.3 TX	Dual	2,505	3,826	5,336	2	0
		Quad	3,724	5,648	5,882	2	0
	HDCP 1.3 RX	Dual	1,995	2,879	4,248	3	0
		Quad	3,270	4,810	4,851	3	0
Intel Stratix 10	HDCP 2.3 TX	Dual	7,723	11,555	13,685	10	3
		Quad	10,767	17,154	17,842	10	3
	HDCP 2.3 RX	Dual	8,431	12,626	14,647	11	3
		Quad	11,304	18,071	18,586	11	3
	HDCP 1.3 TX	Dual	3,154	4,108	5,181	2	0
		Quad	4,794	6,194	7,640	2	0
	HDCP 1.3 RX	Dual	2,602	3,355	4,245	3	0
		Quad	4,229	5,428	6,452	3	0

Related Information

[Fitter Resources Reports](#)

More information about Intel Quartus Prime resource utilization reporting.

3. Getting Started

This chapter provides a general overview of the Intel FPGA IP design flow to help you quickly get started with the DisplayPort Intel FPGA IP. The IP is installed as part of the Intel Quartus Prime installation process. You can select and parameterize any Intel FPGA IP from the library. Intel provides an integrated parameter editor that allows you to customize the DisplayPort IP to support a wide variety of applications. The parameter editor guides you through the setting of parameter values and selection of optional ports.

Related Information

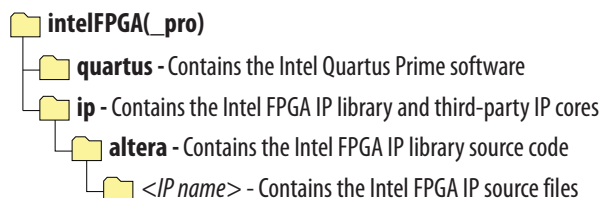
- [Introduction to Intel FPGA IP Cores](#)
Provides general information about all Intel FPGA IP cores, including parameterizing, generating, upgrading, and simulating IP cores.
- [Creating Version-Independent IP and Platform Designer Simulation Scripts](#)
Create simulation scripts that do not require manual updates for software or IP version upgrades.
- [Project Management Best Practices](#)
Guidelines for efficient management and portability of your project and IP files.

3.1. Installing and Licensing Intel FPGA IP Cores

The Intel Quartus Prime software installation includes the Intel FPGA IP library. This library provides many useful IP cores for your production use without the need for an additional license. Some Intel FPGA IP cores require purchase of a separate license for production use. The Intel FPGA IP Evaluation Mode allows you to evaluate these licensed Intel FPGA IP cores in simulation and hardware, before deciding to purchase a full production IP core license. You only need to purchase a full production license for licensed Intel IP cores after you complete hardware testing and are ready to use the IP in production.

The Intel Quartus Prime software installs IP cores in the following locations by default:

Figure 2. IP Core Installation Path



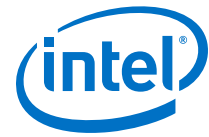


Table 9. IP Core Installation Locations

Location	Software	Platform
<drive>:\intelFPGA_pro\quartus\ip\altera	Intel Quartus Prime Pro Edition	Windows*
<drive>:\intelFPGA\quartus\ip\altera	Intel Quartus Prime Standard Edition	Windows
<home directory>:/intelFPGA_pro/quartus/ip/altera	Intel Quartus Prime Pro Edition	Linux*
<home directory>:/intelFPGA/quartus/ip/altera	Intel Quartus Prime Standard Edition	Linux

Note: The Intel Quartus Prime software does not support spaces in the installation path.

3.1.1. Intel FPGA IP Evaluation Mode

The free Intel FPGA IP Evaluation Mode allows you to evaluate licensed Intel FPGA IP cores in simulation and hardware before purchase. Intel FPGA IP Evaluation Mode supports the following evaluations without additional license:

- Simulate the behavior of a licensed Intel FPGA IP core in your system.
- Verify the functionality, size, and speed of the IP core quickly and easily.
- Generate time-limited device programming files for designs that include IP cores.
- Program a device with your IP core and verify your design in hardware.

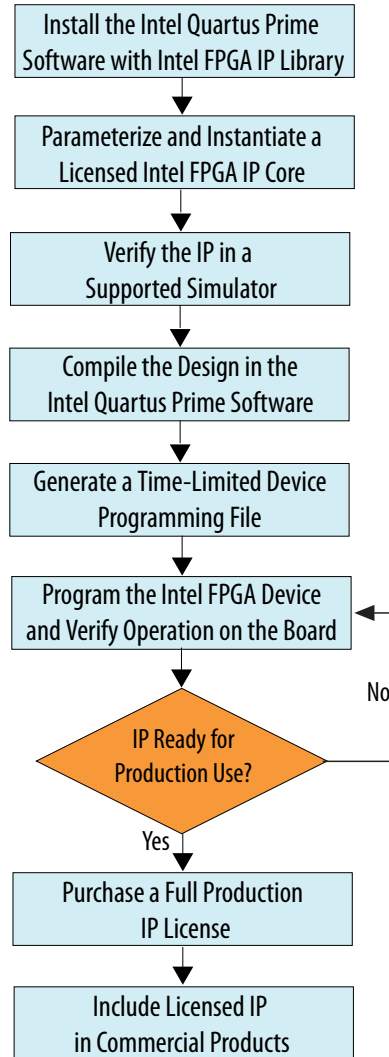
Intel FPGA IP Evaluation Mode supports the following operation modes:

- **Tethered**—Allows running the design containing the licensed Intel FPGA IP indefinitely with a connection between your board and the host computer. Tethered mode requires a serial joint test action group (JTAG) cable connected between the JTAG port on your board and the host computer, which is running the Intel Quartus Prime Programmer for the duration of the hardware evaluation period. The Programmer only requires a minimum installation of the Intel Quartus Prime software, and requires no Intel Quartus Prime license. The host computer controls the evaluation time by sending a periodic signal to the device via the JTAG port. If all licensed IP cores in the design support tethered mode, the evaluation time runs until any IP core evaluation expires. If all of the IP cores support unlimited evaluation time, the device does not time-out.
- **Untethered**—Allows running the design containing the licensed IP for a limited time. The IP core reverts to untethered mode if the device disconnects from the host computer running the Intel Quartus Prime software. The IP core also reverts to untethered mode if any other licensed IP core in the design does not support tethered mode.

When the evaluation time expires for any licensed Intel FPGA IP in the design, the design stops functioning. All IP cores that use the Intel FPGA IP Evaluation Mode time out simultaneously when any IP core in the design times out. When the evaluation time expires, you must reprogram the FPGA device before continuing hardware verification. To extend use of the IP core for production, purchase a full production license for the IP core.

You must purchase the license and generate a full production license key before you can generate an unrestricted device programming file. During Intel FPGA IP Evaluation Mode, the Compiler only generates a time-limited device programming file (<project name>_time_limited.sof) that expires at the time limit.

Figure 3. Intel FPGA IP Evaluation Mode Flow



Note: Refer to each IP core's user guide for parameterization steps and implementation details.

Intel licenses IP cores on a per-seat, perpetual basis. The license fee includes first-year maintenance and support. You must renew the maintenance contract to receive updates, bug fixes, and technical support beyond the first year. You must purchase a full production license for Intel FPGA IP cores that require a production license, before generating programming files that you may use for an unlimited time. During Intel FPGA IP Evaluation Mode, the Compiler only generates a time-limited device programming file (*<project name>_time_limited.sof*) that expires at the time limit. To obtain your production license keys, visit the [Self-Service Licensing Center](#).

The [Intel FPGA Software License Agreements](#) govern the installation and use of licensed IP cores, the Intel Quartus Prime design software, and all unlicensed IP cores.



Related Information

- [Intel FPGA Licensing Support Center](#)
- [Introduction to Intel FPGA Software Installation and Licensing](#)

3.2. Specifying IP Parameters and Options

Follow these steps to specify the DisplayPort IP parameters and options.

1. Create a Intel Quartus Prime project using the **New Project Wizard** available from the File menu.
2. On the **Tools** menu, click **IP Catalog**.
3. Under **Installed IP**, double-click **Library** > **Interface Protocols** > **Audio&Video** > **DisplayPort Intel FPGA IP**.
The parameter editor appears.
4. In the parameter editor, specify a top-level name for your custom IP variation. This name identifies the IP core variation files in your project. If prompted, also specify the targeted Intel FPGA family and output file HDL preference. Click **OK**.
5. Specify parameters and options in the DisplayPort parameter editor:
 - Optionally select preset parameter values. Presets specify all initial parameter values for specific applications (where provided).
 - Specify parameters defining the IP core functionality, port configurations, and device-specific features.
 - Specify options for processing the IP core files in other EDA tools.
6. Click **Generate** to generate the IP and supporting files, including simulation models.
7. Click **Close** when file generation completes.
8. Click **Finish**.
9. If you generate the DisplayPort Intel FPGA IP instance in a Intel Quartus Prime project, you are prompted to add Intel Quartus Prime IP File (.qip) and Intel Quartus Prime Simulation IP File (.sip) to the current Intel Quartus Prime project.

3.3. Simulating the Design

You can simulate your DisplayPort Intel FPGA IP variation using the simulation model that the Intel Quartus Prime software generates. The simulation model files are generated in vendor-specific subdirectories of your project directory. The DisplayPort Intel FPGA IP includes a simulation example.

The following sections teach you how to simulate the generated DisplayPort Intel FPGA IP variation with the generated simulation model.

Related Information

[DisplayPort Intel FPGA IP Simulation Example](#) on page 118



3.3.1. Simulating with the ModelSim Simulator

To simulate using the Mentor Graphics* ModelSim simulator, perform the following steps:

1. Start the ModelSim simulator.
2. In ModelSim, change directory to the project simulation directory `<variation>_sim/mentor`.
3. Type the following commands to set up the required libraries and compile the generated simulation model:

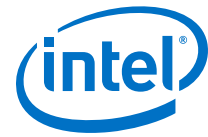
```
do msim_setup.tcl
ld
run -all
```

3.4. Compiling the Full Design and Programming the FPGA

You can use the **Start Compilation** command on the Processing menu in the Intel Quartus Prime software to compile your design. After successfully compiling your design, program the targeted Intel FPGA with the Programmer and verify the design in hardware.

Related Information

- [Intel Quartus Prime Incremental Compilation for Hierarchical and Team-Based Design](#)
Provides more information about compiling the design.
- [Programming Intel FPGA Devices](#)
Provides more information about programming the device.



4. DisplayPort Intel FPGA IP Hardware Design Examples

Intel offers design examples that you can simulate, compile, and test in hardware.

The implementation of the DisplayPort Intel FPGA IP on hardware requires additional components specific to the targeted device.

4.1. DisplayPort Intel FPGA IP Hardware Design Examples for Intel Arria 10, Intel Cyclone 10 GX, and Intel Stratix 10 Devices

The DisplayPort Intel FPGA IP offers design examples that you can generate through the IP catalog in the Intel Quartus Prime Pro Edition software.

For detailed information about the DisplayPort Intel FPGA IP design examples, refer to the respective design example user guides.

Related Information

- [DisplayPort Intel Arria 10 FPGA IP Design Example User Guide](#)
For more information about the Intel Arria 10 design example.
- [DisplayPort Intel Cyclone 10 GX FPGA IP Design Example User Guide](#)
For more information about the Intel Cyclone 10 GX design example.
- [DisplayPort Intel Stratix 10 FPGA IP Design Example User Guide](#)
For more information about the Intel Stratix 10 design examples.

4.2. HDCP Over DisplayPort Design Example for Intel Arria 10 and Intel Stratix 10 Devices

The HDCP over DisplayPort hardware design example helps you to evaluate the functionality of the HDCP feature and enables you to use the feature in your Intel Arria 10 and Intel Stratix 10 designs.

For detailed information about the HDCP over DisplayPort design examples, refer to the Intel Arria 10 and Intel Stratix 10 design example user guides.

Note: The High-bandwidth Digital Content Protection (HDCP) feature is not included in the Intel Quartus Prime Pro Edition software. To access the HDCP feature, contact Intel at <https://www.intel.com/content/www/us/en/broadcast/products/programmable/applications/connectivity-solutions.html>.

Related Information

- [DisplayPort Intel Arria 10 FPGA IP Design Example User Guide](#)
For more information about the HDCP over DisplayPort design example for Intel Arria 10 devices and the security considerations when using the HDCP features.



- [DisplayPort Intel Stratix 10 FPGA IP Design Example User Guide](#)
For more information about the HDCP over DisplayPort design example for Intel Stratix 10 devices and the security considerations when using the HDCP features.

4.3. DisplayPort Intel FPGA IP Hardware Design Examples for Arria V, Cyclone V, and Stratix V Devices

The DisplayPort Intel FPGA IP hardware design helps you evaluate the functionality of the DisplayPort Intel FPGA IP and provides a starting point for you to create your own design.

Note: These design examples are available only in the Intel Quartus Prime Standard Edition software.

The design example uses a fully functional OpenCore Plus evaluation version, giving you the freedom to explore the core and understand its performance in hardware.

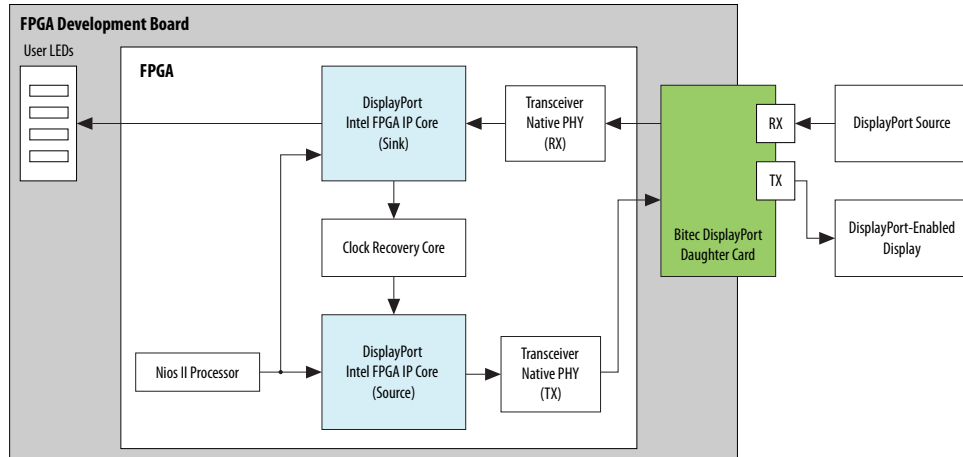
This design performs a loop-through for a standard DisplayPort video stream. You connect a DisplayPort-enabled device—such as a graphics card with DisplayPort interface—to the Transceiver Native PHY RX, and the DisplayPort sink input. The DisplayPort sink decodes the port into a standard video stream and sends it to the clock recovery core. The clock recovery core synthesizes the original video pixel clock to be transmitted together with the received video data. You require the clock recovery feature to produce video without using a frame buffer. The clock recovery core then sends the video data to the DisplayPort source, and the Transceiver Native PHY TX. The DisplayPort source port of the daughter card transmits the image to a monitor.

The design uses the development board from the following kits:

- Arria V GX FPGA Starter Kit
- Cyclone V GT FPGA Development Kit
- Stratix V GX FPGA Development Kit

Note: If you use another Intel FPGA development board, you must change the device assignments and the pin assignments. You make these changes in the `assignments.tcl` file. If you use another DisplayPort daughter card, you must change the pin assignments, Platform Designer system, and software.

Figure 4. Hardware Design Overview



The DisplayPort sink uses its internal state machine to negotiate link training upon power up. A Nios II embedded processor performs the source link management; software performs the link training management.

Figure 5. Hardware Design Block Diagram

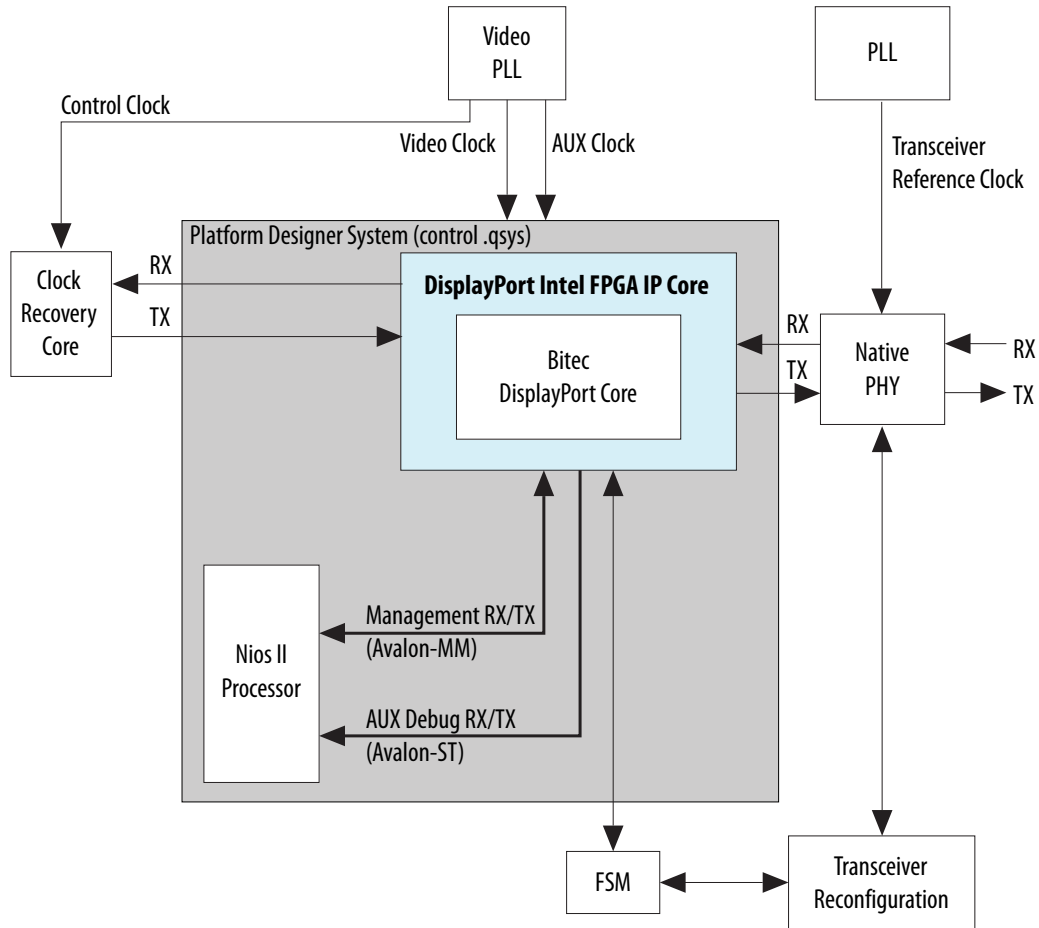


Table 10. Clock Source for the Hardware Design

Clock	Frequency	Description
AUX Clock	16 MHz	Used as primary clock source for Auxiliary encoder and decoder. Refer to Source AUX Interface on page 66 and Sink AUX Interface on page 100 for more information.
Control Clock	60 MHz	Used for Pixel Clock Recovery (PCR) module loop controller and fPLL reconfiguration blocks.
Native PHY Reference Clock	135 MHz	Used as Native PHY reference clock for Transceiver CMU PLL.
Video Clock	160 MHz or 300 MHz	Video Clock has two functions in this demonstration. <ul style="list-style-type: none"> • rxN_vid_clock for transferring video data from the sink decoder. • Input to PCR module as vid_data clock source.



Note: When `rxN_vid_clock` is used for transferring the sink device's video data and control, the clock frequency must be equal or faster than the upstream device Stream Clock (`Strm_Clk`) / `PIXELS_PER_CLOCK`. For example:

- If the upstream device transmits video data at 1080@60 (`Strm_Clk` = 148.5 MHz) and the sink device is configured at `PIXELS_PER_CLOCK` = 1, the device must drive `rxN_vid_clk` at a minimal frequency of 148.5 MHz.
- If the sink device is configured at `PIXELS_PER_CLOCK` = 4, the device must drive `rxN_vid_clk` at a minimal frequency of 37.125 MHz (148.5 MHz/4).

The DisplayPort hardware demonstration uses the IOPLL to drive `rxN_vid_clock` with a fixed clock frequency.

- For designs with HBR2 at `PIXELS_PER_CLOCK` = 4, the recommended `rxN_vid_clock` frequency is 160 MHz to support 4K@60 resolution
- For designs with HBR2 at `PIXELS_PER_CLOCK` = 2, the recommended `rxN_vid_clock` frequency is 300 MHz to support 4K@60 resolution

Table 11. LED Function

The development board user LEDs illuminate to indicate the functions described in the table below.

Supported Intel FPGAs	Function
USER_LED[0]	This LED indicates that source is successfully lane-trained and is sending video. <code>rxN_vid_locked</code> drives this LED. This LED turns off if the source is not driving good video.
USER_LED[1]	This LED illuminates for 1-lane designs.
USER_LED[2]	This LED illuminates for 2-lane designs.
USER_LED[3]	This LED illuminates for 4-lane designs.
USER_LED[7:6]	These LEDs indicate the RX link rate. <ul style="list-style-type: none"> • 00 = RBR • 01 = HBR • 10 = HBR2

Tip: When creating your own design, note the following design tips:

- The Bitec HSMC daughter card has inverted transceiver polarity. When creating your own sink (RX) design, use the **Invert transceiver polarity** option to enable or disable inverted polarity.
- The DisplayPort standard reverses the RX and TX transceiver channels to minimize noise for one- or two-lane applications. If you create your own design targeting the Bitec daughter card, ensure that the following signals share the same transceiver channel:
 - TX0 and RX3
 - TX1 and RX2
 - TX2 and RX1
 - TX3 and RX0

During operation, you can adjust the DisplayPort source resolution (graphics card) from the PC and observe the effect on the IP core. The Nios II software prints the source and sink AUX channel activity. Press a push-button to print the current TX and RX MSAs.

Refer to the `assignments.tcl` file for an example of how the channels are assigned in the hardware demonstration.

Related Information

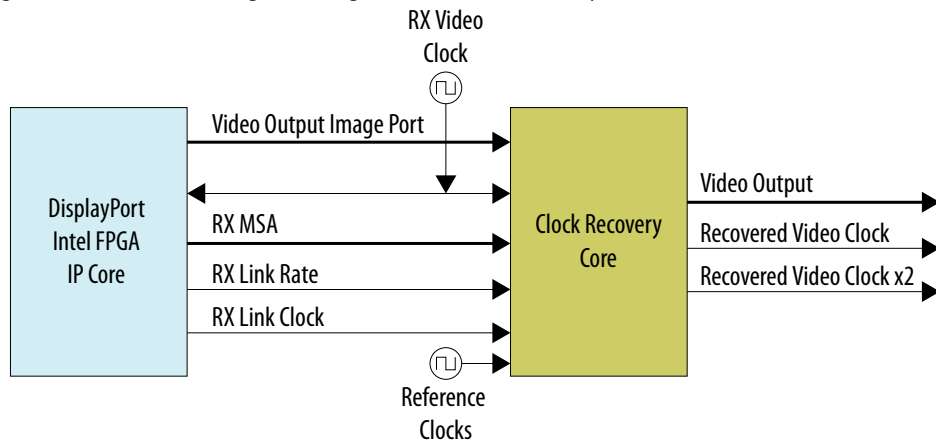
- [Stratix V GX FPGA Development Kit](#)
- [Arria V GX FPGA Starter Kit](#)
- [Cyclone V GT FPGA Development Kit](#)
- [AN 745: Design Guidelines for Intel FPGA DisplayPort Interface](#)

4.3.1. Clock Recovery Core

The clock recovery core is a single encrypted module called `bitec_clkrec`.

Figure 6. Clock Recovery Core Integration Diagram

The figure below shows the integration diagram of the clock recovery core.



To synthesize the video pixel clock from the link clock, the clock recovery core gathers information about the current MSA and the currently used link rate from the DisplayPort sink.

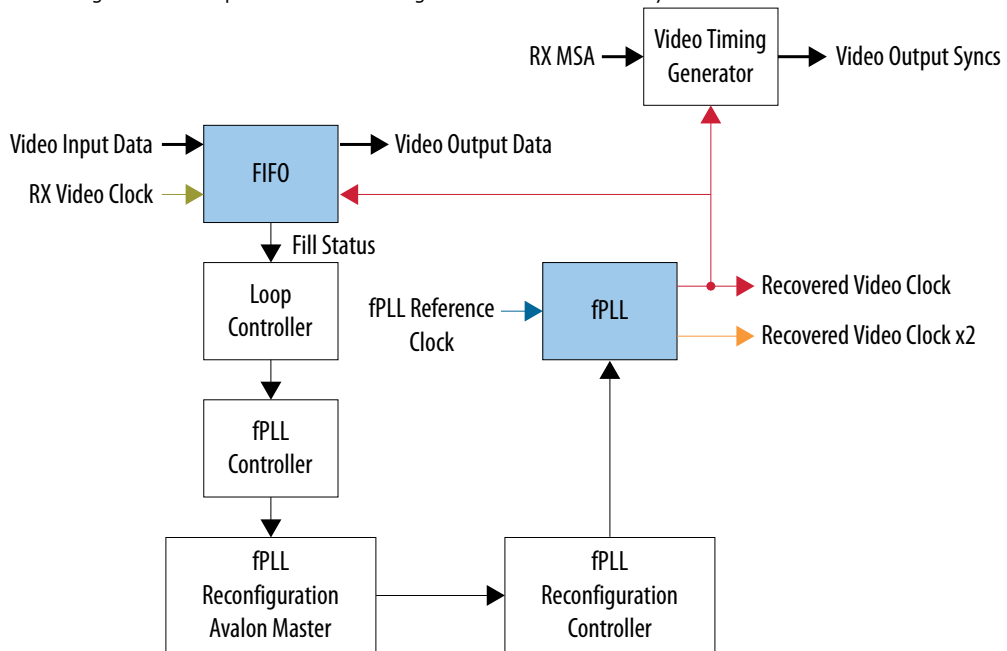
The clock recovery core produces resynchronized video data together with the following clocks:

- Recovered video pixel clock
- Second clock with twice the recovered pixel clock frequency

The video output data is synchronous to the recovered video clock. You can use the second clock as a reference clock for the TX transceiver, which is optionally used to serialize the video output data.

Figure 7. Clock Recovery Core Functional Diagram

The following shows a simplified functional diagram of the clock recovery core.



The clock recovery core clocks the video data input gathered from the DisplayPort sink into a dual-clock FIFO at the received video clock speed. The core reads from the video data input using the recovered video clock.

- **Video Timing Generator:** This block uses the received MSA to create `h-sync`, `v-sync`, and `data enable` signals that are synchronized to the recovered video clock.
- **Loop Controller:** This block monitors the FIFO fill level and regulates its throughput by altering the original `Mvid` value read from the MSA. The block feeds the modified `Mvid` to the `fPLL Controller`, which calculates a set of parameters suitable for the `fPLL Controller`. This set of parameters provides the value to create a recovered video clock frequency corresponding to the new `Mvid` value. The calculated `fPLL` parameters are written by the `fPLL Reconfiguration Avalon Master` to the `fPLL Reconfiguration Controller` internal registers.
- **Reconfiguration Controller:** This block serializes the parameter values and writes them to the `fPLL IP` core.
- **fPLL:** Generates the recovered video clock and a second clock with twice the frequency.

4.3.1.1. Clock Recovery Core Parameters

You can use these parameters to configure the clock recovery core.

Table 12. Clock Recovery Core Parameters

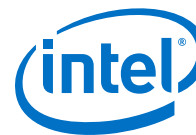
Parameter	Default Value	Description
SYMBOLS_PER_CLOCK	4	Specifies the configuration of the DisplayPort RX transceiver used. Set to 2 for 20-bit mode (Dual symbol) or to 4 for 40-bit mode (Quad symbol).
CLK_PERIOD_NS	10	Specifies the period (in nanoseconds) of the control clock input signal connected to the port. <i>Note:</i> The recommended control clock frequency is 60 MHz. Set this parameter to 17.
DEVICE_FAMILY	Arria V	Identifies the device used. The values are Arria V , Cyclone V , and Stratix V .
FIXED_NVID	0	Specifies the configuration of the DisplayPort RX received video clocking used. Set to 1 for asynchronous clocking, where the Nvid value is fixed to 32'h8000. Set to 0 if the value of Nvid is a variable of 32'h8000 or any other value. <i>Note:</i> Most DisplayPort source devices transmit video using asynchronous clocking. For optimized resource usage, Intel recommends you to set the FIXED_NVID parameter to 1 .
PIXELS_PER_CLOCK	4	Specifies how many pixels in parallel (for each clock cycle) are gathered from the DisplayPort RX. Set to 1 for single pixel, 2 for dual, or 4 for quad pixels per clock cycle.
BPP	48	Specifies the width (in bits) of a single pixel. Set to 18 for 6-bit color, 24 for 8-bit color, and so on up to 48 for 16-bit color.

4.3.1.2. Clock Recovery Interface

The following table lists the signals for the clock recovery core.

Table 13. Clock Recovery Interface Signals

Interface	Port Type	Clock Domain	Port	Direction	Description
control clock	Clock	N/A	clk	Input	Control logic clock. This clock runs the loop controller and fPLL reconfiguration related blocks. Intel recommends you use a 60 MHz clock.
RX link clock	Clock	N/A	rx_link_clk	Input	DisplayPort transceiver link clock. This clock is a divided version of the RX main link clock or divided by 4. <ul style="list-style-type: none"> Divided by 2 when the sink core is instantiated in 20-bit mode (2 symbols per clock) Divided by 4 when the sink core is instantiated in 40-bit mode (4 symbols per clock)
reset	Reset	clk	areset	Input	Asynchronous reset. This is an active-high signal.
<i>continued...</i>					



Interface	Port Type	Clock Domain	Port	Direction	Description
RX link rate	Conduit	asynchronous	rx_link_rate[1:0]	Input	DisplayPort RX link rate. <ul style="list-style-type: none"> • 00 = RBR (1.67 Gbps) • 01 = HBR (2.70 Gbps) • 10 = HBR2 (5.40 Gbps) You need this information for the clock recovery clock to correctly calculate the fPLL parameters.
RX MSA	Conduit	rx_link_clk	rx_msa[216:0]	Input	A set of different signals containing the following information: <ul style="list-style-type: none"> • MSA attributes and status • VB-ID attributes and status • Received video blanking timing You must connect this set of signals <i>as is</i> from the DisplayPort Intel FPGA IP to the clock recovery core.
Video Input	Conduit	vidin_clk	vidin_clk	Input	Pixel clock.
			vidin_data (BPP*PIXELS_PER_CLOCK-1:0)	Input	Pixel data.
			vidin_valid	Input	You must assert this signal when all signals on this port are valid.
			vidin_sol	Input	Start of video line.
			vidin_eol	Input	End of video line.
			vidin_sof	Input	Start of video frame.
			vidin_eof	Input	End of video frame.
Video Output	Conduit	rec_clk	rec_clk	Output	Reconstructed video clock.
			rec_clk_x2	Output	Reconstructed video clock double frequency.
			vidout (BPP*PIXELS_PER_CLOCK-1:0)	Output	Pixel data.
			hsync	Output	Horizontal sync. This signal can be active-high or active-low depending on the sync polarity from MSA.
			vsync	Output	Vertical sync. This signal can be active-high or active-low depending on the sync polarity from MSA.

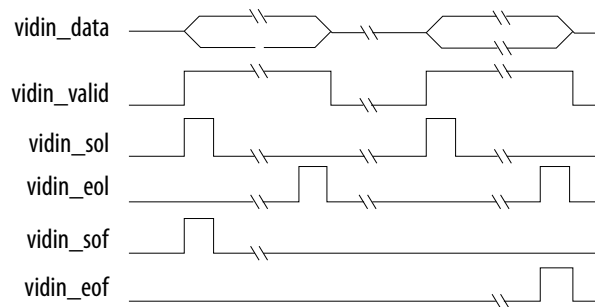
continued...

Interface	Port Type	Clock Domain	Port	Direction	Description
			de	Output	Data enable. This signal is always active high.
			field2	Output	The clock recovery core asserts this signal during the second video field for interlaced timings.
			reset_out	Output	The clock recovery core asserts this signal when the other video output signals are not valid. This signal is asynchronous.

4.3.1.2.1. Video Input Port

You must connect the clock recovery core video input port to the DisplayPort sink core video output image port.

Figure 8. Video Input Port Timing Diagram



When the `PIXELS_PER_CLOCK` parameter is greater than 1, all input pixels are supposed to be valid when you assert `vidin_valid`. The parameter only supports timings with horizontal active width divisible by 2 (`PIXELS_PER_CLOCK = 2`) or 4 (`PIXELS_PER_CLOCK = 4`).

The clock recovery core video output port produces pixel data with standard `hsync`, `vsync`, or `de` timing. All signals are synchronous to the reconstructed video clock `rec_clk`, unless mentioned otherwise. For designs using a TX transceiver, you can use `rec_clk` as its reference clock.

You can use `rec_clk_x2` as a reference clock for transceivers that have reference clocks with frequencies lower than the minimum pixel clock frequency received. For example, the Video Graphics Array (VGA) 25-MHz resolution when the transceiver's minimum reference clock is 40 MHz.

The clock recovery core asserts `reset_out` when the remaining port signals are not valid. For example, during a recovered video resolution change when the `rec_clk` and `rec_clk_x2` signals are not yet locked and stable. Intel recommends that you use `reset_out` to reset the downstream logic connected to the video output port.

During the hardware demonstration operation, you can adjust the DisplayPort source resolution (graphics card) from the PC and observe the effect on the IP core. The Nios II software prints the source and sink AUX channel activity. Press one of the push buttons to print the current TX and RX MSA.



4.3.2. Transceiver and Clocking

The device's Gigabit transceivers operate at 5.4, 2.7, and 1.62 Gbps, and require a 135-MHz single reference clock. When the link rate changes, the state machine only reconfigures the transceiver PLL settings.

Table 14. Arria V Transceiver Native PHY TX and RX Settings

The table shows the Arria V Transceiver Native PHY settings for TX and RX using a single reference clock.

Parameters	Single Reference Clock Settings
Datapath Options	
Enable TX datapath	On
Enable RX datapath	On
Enable standard PCS	On
Number of data channels	1, 2 or 4 <i>Note: If you select 1 or 2, you must instantiate the PHY instance multiple times for all data channels as per maximum lane count parameter. These values are for non-bonded mode.</i>
Bonding mode	×1* or ×N <i>Note: If you select ×1, you must instantiate the PHY instance multiple times for all data channels as per maximum lane count parameter. This value is for non-bonded mode.</i>
Enable simplified data interface	
PMA	
Data rate	1620 Mbps (when TX maximum link rate = 1.62 Gbps) 2700 Mbps (when TX maximum link rate = 2.7 Gbps) 5400 Mbps (when TX maximum link rate = 5.4 Gbps)
TX local clock division factor	1
TX PMA	
Enable TX PLL dynamic reconfiguration	On
Number of TX PLLs	1
Main TX PLL logical index	0
Number of TX PLL reference clock	1
TX PLL0	
PLL type	CMU
Reference clock frequency	135 MHz
Selected reference clock source	0
Selected clock network	×1 or ×N <i>Note: If you select ×1, you must instantiate the PHY instance multiple times for all data channels as per maximum lane count parameter. This value is for non-bonded mode.</i>



RX PMA	
Enable CDR dynamic reconfiguration	On
Number of CDR reference clocks	1
Selected CDR reference clock	0
Selected CDR reference clock frequency	135 MHz
PPM detector threshold	1000 ppm
Enable rx_is_lockedtoata port	On
Enable rx_is_lockedtoref port	On
Enable rx_set_locktoata and rx_set_locktoref ports	On

Standard PCS	
Standard PCS protocol mode	Basic
Standard PCS/PMA interface width	20

Byte Serializer and Deserializer	
Enable TX byte serializer	Off (when symbol output mode is Dual) On (when symbol output mode is Quad)
Enable RX byte deserializer	Off (when symbol output mode is Dual) On (when symbol output mode is Quad)

Note: Currently, Arria V GX, Arria V GZ, and Stratix V devices support 5.4 Gbps operation.

Related Information

- [Arria V GX, GT, SX, and ST Device Datasheet](#)
- [Arria V GZ Device Datasheet](#)
- [Cyclone V Device Datasheet](#)
- [Stratix V Device Datasheet](#)



4.3.3. Required Hardware

The hardware demonstration requires the following hardware:

- Intel FPGA kit (includes USB cable to connect the board to your PC); the demonstration supports the following kits:
 - Stratix V GX FPGA Development Kit (5SGXEA7K2F40C2)
 - Arria V GX FPGA Starter Kit (5AGXFB3H4F40C5)
 - Cyclone V GT FPGA Development Kit (5CGTFD9E5F35C7)
- Bitec DisplayPort daughter card (HSMC revision 11 and later)
- PC with a DisplayPort output
- Monitor with a DisplayPort input
- Two DisplayPort cables
 - One cable connects from the graphics card to the FPGA development board
 - The other cable connects from the FPGA development board to the monitor

Note: Intel recommends that you first test the PC and monitor by connecting the PC directly to the monitor to ensure that you have all drivers installed correctly.

Related Information

- [Stratix V GX FPGA Development Kit](#)
- [Arria V GX FPGA Starter Kit](#)
- [Cyclone V GT FPGA Development Kit](#)

4.3.4. Design Walkthrough

Setting up and running the DisplayPort hardware demonstration consists of the following steps. A variety of scripts automate these steps.

1. Set up the hardware.
2. Copy the design files to your working directory.
3. Build the FPGA design.
4. Build the software, download it into the FPGA, and run the software.
5. Power-up the DisplayPort monitor and view the results.

4.3.4.1. Set Up the Hardware

Set up the hardware using the following steps:

1. Connect the Bitec daughter card to the FPGA development board.
2. Connect the development board to your PC using a USB cable.



Note: The FPGA development board has an On-Board Intel FPGA Download Cable II connection. If your version of the board does not have this connection, you can use an external Intel FPGA Download Cable. Refer to the documentation for your board for more information.

3. Connect a DisplayPort cable from the DisplayPort TX on the Bitec HSMC daughter card to a DisplayPort monitor (do not power up the monitor).
4. Power-up the development board.
5. Connect one end of a DisplayPort cable to your PC (do not connect the other end to anything).

4.3.4.2. Copy the Design Files to Your Working Directory

In this step, you copy the hardware demonstration files to your working directory.

Copy the files using the command:

```
cp -r <IP root directory>/ altera / altera_dp / hw_demo / <device_board>
<working directory>
```

where *<device_board>* is **av_sk_4k** for Arria V GX starter kit, **cv** for Cyclone V GT development kit, **sv** for Stratix V development kit, **mst_av** for Arria V MST design, and **mst_sv** for Stratix V MST design.

You can also copy the design example through the DisplayPort Intel FPGA IP parameter editor. Turn on **Generate Example Design** on the DisplayPort Intel FPGA IP parameter editor before you generate your design. The software copies the SST design example files from `altera/altera_dp/hw_demo/<device_board>` to your working directory.

Note: The generated design example may not be aligned to your configured parameter settings.

Your working directory should contain the files shown in the following tables.

Table 15. Hardware Demonstration Files for Arria V, Cyclone V, and Stratix V Devices

Files are named with `<prefix>.<name>.<extension>` where `<prefix>` represents the device (**av** for Arria V devices, **cv** for Cyclone V devices, and **sv** for Stratix V devices).

File Type	File	Description
Verilog HDL design files	top.v	Top-level design file.
	bitec_reconfig_alt_<prefix>.v	Reconfiguration manager top-level. This module is a high-level FSM that generates the control signals to reconfigure the VOD and pre-emphasis, selects the PLL reference clock, and reconfigures the clock divider setting. The FSM loops through all the channels and transceiver settings.
	altera_pll_reconfig_core.v altera_pll_reconfig_mif_reader.v altera_pll_reconfig_top.v bitec_cc_fifo.v bitec_cc_pulse.v	Clock recovery core encrypted design files.

continued...



File Type	File	Description
	bitec_clkrec.v bitec_fpll_cntrl.v bitec_fpll_reconf.v bitec_loop_cntrl.v bitec_vsyncgen.v clkrec_pll_<prefix>.v	
IP Catalog files	video_pll<prefix>.v pll_135.v gxb_reconfig.v gxb_reset.v gxb_rx.v gxb_tx.v	IP Catalog variants for the various helper IP cores.
Platform Designer system	control.qsys	Platform Designer system file.
Intel Quartus Prime IP files	bitec_reconfig_alt_<prefix>.qip bitec_clkrec_dist.qip bitec_clkrec.qip	Intel Quartus Prime IP files that list the required submodule files.
Scripts	runall.tcl	Script to set up the project, generate the IP and Platform Designer system, and compile.
	assignments.tcl	Top-level TCL file to create the project assignments.
	build_ip.tcl	TCL file to build the DisplayPort example design IP blocks.
	build_sw.sh	Script to compile the software.
Miscellaneous	example.sdc	Top-level SDC file.
	bitec_clkrec.sdc	Clock recovery core SDC file.
Software files (in the software directory)	dp_demo_src\	Directory containing the example application source code.
	btc_dprx_syslib\	System library for the RX API.
	btc_dptx_syslib\	System library for the TX API.

4.3.4.3. Build the FPGA Design

In this step, you use a script to build and compile the FPGA design. Type the command:

```
./runall.tcl (Intel Quartus Prime Standard Edition)
```

This script basically builds the IPs and software, as well as performs Intel Quartus Prime full compilation.

4.3.4.4. Load and Run the Software

In this step, you load the software into the device and run the software.



1. In a Windows Command prompt, navigate to the hardware demonstration **software** directory.
2. Launch a Nios II command shell. You can launch it using several methods, for example, from the Windows task bar or within the Platform Designer system.
3. From within the Nios II command shell, execute the following command to program the device, download the Nios II program, and launch a debug terminal:

```
bash nios2-configure-sof <project_name>.sof <USB cable number>; nios2-terminal<USB cable number>
```

Note: To find <USB cable number>, use the `jtagconfig` command.

4. To download the `Software .elf` file separately, execute the following command in the Nios II command shell:

```
bash nios2-download <project_name>.elf
```

Related Information

[Nios II Classic Software Developer's Handbook](#)

The Nios II Software Build Tools Reference provides more information about the Nios II commands.

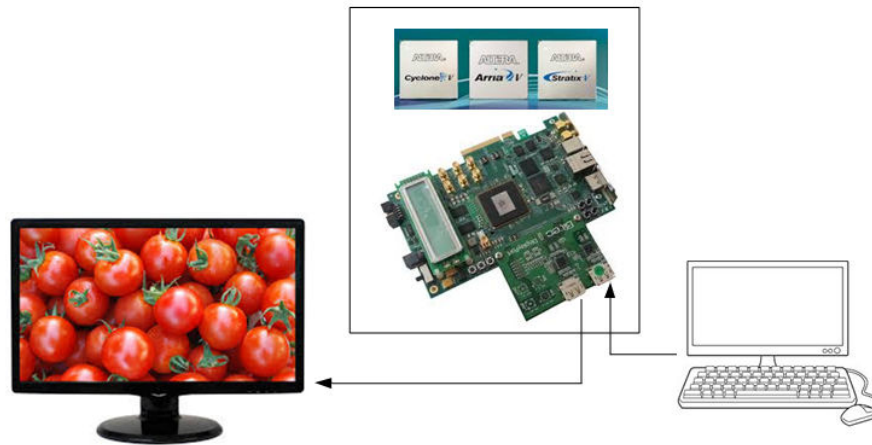
4.3.4.5. View the Results

In this step you view the results of the hardware demonstration in the Nios II command shell and on the DisplayPort monitor.

1. Power-up the connected DisplayPort monitor.
2. Connect the free end of the Display Port cable that you connected to your PC to the DisplayPort RX on the Bitec daughter card. The PC now has the DisplayPort monitor available as a second monitor. The hardware demonstration loops through and displays the graphic card output as received by the sink core.

Note: Some PC drivers and graphic card adapters do not enable the DisplayPort hardware automatically upon hot plug detection. You may need to start the adapter's control utility (e.g. Catalyst Control Center, NVIDIA Control Panel) and manually enable the DisplayPort display.

Figure 9. Loop-through Hardware Demonstration



3. You can use your graphic card control panel to adjust the resolution of the DisplayPort monitor, which typically results in link training, related AUX channel traffic, and a corresponding new image size on the monitor.

Note: If you do not see visible output on the monitor, press push button (CPU_RESETN) to generate a reset, causing the DisplayPort TX core to re-train the link.

Press push button 0 (USER_PB[0]) to retrieve MSA statistics from the source and sink connections. The Nios II Command Shell displays the AUX channel traffic during link training with the monitor.

Figure 10. MSA Output

```

----- TX Main stream attributes -----
--- Stream 0 ---
MISC0 : 20      MISC1 : 00
Moid   : D42C   Noid   : 8000
Htotal : 2720   Uttotal : 1646
HSP    : 0000   HSW    : 0032
Hstart : 0112   Ustart : 0043
USP    : 0000   USW    : 0006
Hwidth : 2560   Uheight : 1600
CRC R  : 9065   CRC G  : 9292   CRC B  : edb6
--- Stream 1 ---
MISC0 : 00      MISC1 : 00
Moid   : 0000   Noid   : 0000
Htotal : 0000   Uttotal : 0000
HSP    : 0000   HSW    : 0000
Hstart : 0000   Ustart : 0000
USP    : 0000   USW    : 0000
Hwidth : 0000   Uheight : 0000
CRC R  : 0000   CRC G  : 0000   CRC B  : 0000

----- TX Link configuration -----
Lane count : 4
Link rate  : 1620 Mbps

----- RX Main stream attributes -----
--- Stream 0 ---
UB-ID lock : 1   MSA lock : 1
UB-ID : 00 MISC0 : 40 MISC1 : 00
Moid   : 3FC4   Noid   : 8000
Htotal : 2720   Uttotal : 1646
HSP    : 0000   HSW    : 0032
Hstart : 0112   Ustart : 0043
USP    : 0000   USW    : 0006
Hwidth : 2560   Uheight : 1600
CRC R  : 36a8   CRC G  : 120e   CRC B  : f1bb
--- Stream 1 ---
UB-ID lock : 1   MSA lock : 1
UB-ID : 00 MISC0 : 40 MISC1 : 00
Moid   : 2DE6   Noid   : 8000
Htotal : 2592   Uttotal : 1245
HSP    : 0001   HSW    : 0200
Hstart : 0536   Ustart : 0042
USP    : 0000   USW    : 0006
Hwidth : 1920   Uheight : 1200

----- RX Link configuration -----
CR Done: F      SYM Done: F
Lane count : 4
Link rate  : 5400 Mbps
BER0   : 0000   BER1   : 0000
BER2   : 0000   BER3   : 0000

```

The Nios II AUX printout shows each message packet on a separate line.

- The first field is the incremental timestamp in microseconds.
- The second field indicates whether the message packet is from or to the DisplayPort sink (SNK) or source (SRC).
- The next two fields show the request and response headers and payloads. The DPCD address field on request messages are decoded into the respective DPCD location names.



When connected and enabled, `USER_PB[0]` on the development board illuminates to indicate that the DisplayPort receiver has locked correctly.

4.3.5. DisplayPort Link Training Flow

Upon Hot Plug detection, the DisplayPort source configures the link through link training.

The DisplayPort source device accesses the sink's DPCD register block through the AUX channel to determine the sink's capability and status and initiate the Link Training command.

The sequence below describes the Link Training flow after HPD assertion:

1. The DisplayPort source reads the DPCD Capabilities fields offset 0x00000 – 0x0000D to determine the sink device's capability.
2. The source writes to the Link Configuration field offset 0x00100 – 0x00101 to configure the Link Bandwidth and Lane Count according to the sink device's requirements.

After Link Configuration, the source initiates Link Training Pattern Sequence 1.

1. The source writes to offset 0x00102 to select Training Pattern 1 and Disable Scrambling. The source sends Training Pattern 1 through the Main Link at the same time.
2. The source writes to offset 0x00103 – 0x00106 to configure the Link Training Control for every lane.
3. The source reads from offset 0x0000E for `TRAINING_AUX_RD_INTERVAL` value.
4. The source waits for a period of time specified in `TRAINING_AUX_RD_INTERVAL` before it reads the Link Status (0x00202 – 0x00207) from the sink device.
5. If the clock recovery core (`CR_DONE`) fails in one or more lanes:
 - The source checks for the Link Driver setting adjust request (0x00206 – 0x00207) and responds accordingly.
 - In the same Link Driver setting, if the source has already repeated Training Pattern Sequence 1 for 5 times, the source will lower the Link Bandwidth (from HBR2 to HBR to RBR) in offset 0x00100 and starts back at Step 1.
 - If the Link Bandwidth is already in the lowest rate (RBR), then Link Training fails.

For Link Training Pattern Sequence 2:

1. The source writes to offset 0x00102 to select Training Pattern 2 and Disable Scrambling. The source sends Training Pattern 2 through the Main Link at the same time.
2. The source writes to offset 0x00103 – 0x00106 to configure the Link Training Control for every lane.
3. The source reads from offset 0x0000E for `TRAINING_AUX_RD_INTERVAL` value.
4. The source waits for a period of time specified in `TRAINING_AUX_RD_INTERVAL` before it reads the Link Status (0x00202 – 0x00207) from the sink device.
5. If `CR_DONE` (0x00202) fails in one or more lanes, abort Training Pattern Sequence 2, and restart Training Pattern Sequence 1.

6. If CR_DONE passes all lanes, check if the following operations fail or pass:
 - CHANNEL_EQ_DONE
 - SYMBOL_LOCKED
 - INTERLANE_ALIGN_DONE
7. If CHANNEL_EQ_DONE, SYMBOL_LOCKED or INTERLANE_ALIGN_DONE fails in one or more lanes:
 - The source checks for the Link Driver setting adjust request (0x00206 – 0x00207) and responds accordingly.
 - In the same Link Driver setting, if the source has already repeated Training Pattern Sequence 2 for 5 times, the source will lower the Link Bandwidth (from HBR2 to HBR to RBR) in offset 0x00100, aborts Training Pattern Sequence 2, and restarts Link Training Pattern Sequence 1.
 - If the Link Bandwidth is already in the lowest rate (RBR), then Link Training fails.
8. If Training Pattern Sequence 2 passes, then Link Training completes.
9. The source writes to offset 0x00102 to disable Link Training.

Note: If both DisplayPort source and sink support HBR2, replace Training Pattern Sequence 2 with Training Pattern Sequence 3.

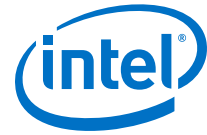
4.3.6. DisplayPort Post Link Training Adjust Request Flow (LQA)

After Link Training completes, you can use the Post Link Training Adjust Request Sequence to fine-tune the transmitter driver setting and receiver equalization setting.

The DisplayPort sink supports Post Link Training Adjust Request Sequence feature (as defined in the *VESA DisplayPort Standard 1.3*).

The DisplayPort Intel FPGA IP controls this feature.

1. During Link Training Sequence, when the source reads DPCD offset 0x00002, and the sink have 0x00002 bit [5] (POST_LT_ADJ_REQ_SUPPORT) set to 1.
2. If the source supports this feature, it writes to offset 0x00101 bit [5] (POST_LT_ADJ_REQ_GRANTED) to grant Post Link Training Adjust Request.
3. After Link Training Sequence completes, the source writes to offset 0x00102 to disable Link Training.
4. The sink sets DPCD 0x00204 bit [1] (POST_LT_ADJ_REQ_IN_PROGRESS) to 1 and fine-tunes the Link driver setting (Voltage swing and Pre-emphasis).
5. The source reads offset 0x00204 bit [1] to check if Sink Post Link Training Adjust Sequence is in progress.
6. After 5 – 10 ms, the source reads DPCD ADJUST_REQUEST_LANE x (0x00206 – 0x00207).
 - If the value changes, the source writes to offset 0x00206 – 0x00207 to configure the Link driver setting accordingly to the requested value.
 - If value not changed, repeat steps 5 – 6. If these steps are repeated 6 times, the source clears offset 0x00101 bit [5] to not grant and proceed to Normal Active Video Transmission.
7. If the sink device's Link Status (0x00202 – 0x00204) clears after step 6,



- Abort Post Link Training Adjust Request Sequence.
- The source clears offset 0x00101 bit [5] (not grant).
- Restart with Link Training Sequence 1.

Note: All the `POST_LT_ADJ_REQ` registers and flow definition are available only in the VESA DisplayPort Standard 1.3 .

4.3.7. DisplayPort MST Source User Application

For MST source instantiations, you need to create a user application at the top software layer to invoke the Link Layer level API functions of the `btc_dptxll_syslib` library.

The `btc_dptxll_syslib` library handles most of the Link Layer functionality. The library performs marginal SST operation, which in turn, becomes evident for MST operations. The `btc_dptxll_syslib` library uses the services provided by the `btc_dptx_syslib` library.

You can use the user application to perform MST discovery topology by invoking a single API function (`btc_dptxll_mst_get_device_port()`). In turn, the `btc_dptxll_syslib` library implements this functionality by invoking a number of `btc_dptx_syslib` MST messaging functions such as `btc_dptx_mst_link_address_req()`, `btc_dptx_mst_enum_path_req()`, and `btc_dptx_mst_remote_i2c_rd_req()`.

A typical MST source user application must perform the following steps to display an image on a connected DisplayPort sink device:

1. Wait for HPD signal to become 1.
2. Read the connected sink DPCD version and MST capabilities.
 - If the sink is not MST capable, only a single-stream (SST) connection is possible. In this case, no further action is required as SST connections are mostly handled automatically.
 - If the sink supports MST, skip this step.
3. Perform MST topology discovery by collecting all device ports reachable through the connected sink. Invoke `btc_dptxll_mst_get_device_ports()` until either its outcome is valid or an error is returned. For a successful return value, move to the following step.
4. Browse through the list of the device ports and search for a suitable device output port. This step highly depends on the definition of *suitable device port*. Some applications may require reading of the device port EDID to check the desired resolution supported by the port (use `btc_dptxll_mst_edid_read_req()` and `btc_dptxll_mst_edid_read_rep()` API functions). If a suitable device output port is found, move to the next step.
5. Verify if the main link connection between the DisplayPort source and connected sink is still up.
 - If the link is down, perform a new Link Training.
 - If the link is up, move to the next step.



Note: While you can perform the earlier steps even when the main link connection is down, the following steps require the connection to be up. The source needs the connection to calculate the available data bandwidth and make allocation.

6. Set the video pixel rate of the desired stream by invoking `btc_dptxll_stream_set_pixel_rate()`.
7. Calculate the required VCP size for the stream by invoking `btc_dptxll_stream_calc_VCP_size()`.
8. Verify if the required VCP size (number of time slots needed to transport the stream) is available to transport to the desired device output port. Then, move to the next step.
9. Allocate the stream data to be transported to the desired device output port by invoking `btc_dptxll_stream_allocate_req()`
10. Wait for the source to make allocation. Invoke `btc_dptxll_stream_allocate_rep()` until either the allocation is complete or an error is returned. For a successful allocation, move to the following step.
11. The allocation of the stream to the device output port completes. MST data transport is now active.
12. Handle received `CONNECTION_STATUS_NOTIFY` messages according to the changed topology.

5. DisplayPort Source

The DisplayPort source consists of a DisplayPort encoder block, a transceiver management block, a controller interface block, and an HDCP interface block with an Avalon® memory-mapped interface for connecting with an embedded controller such as a Nios® II processor.

Figure 11. DisplayPort Source Top-Level Block Diagram

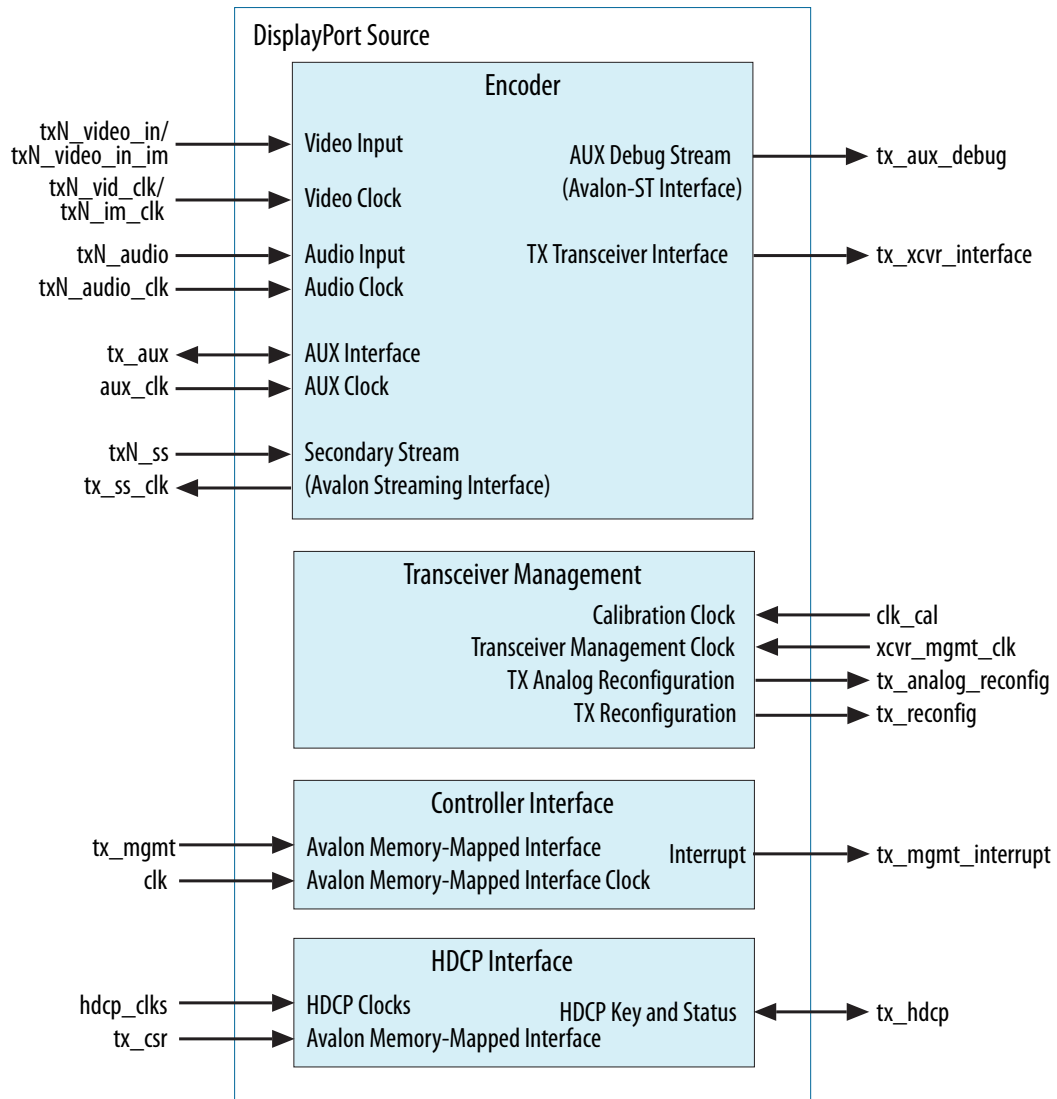
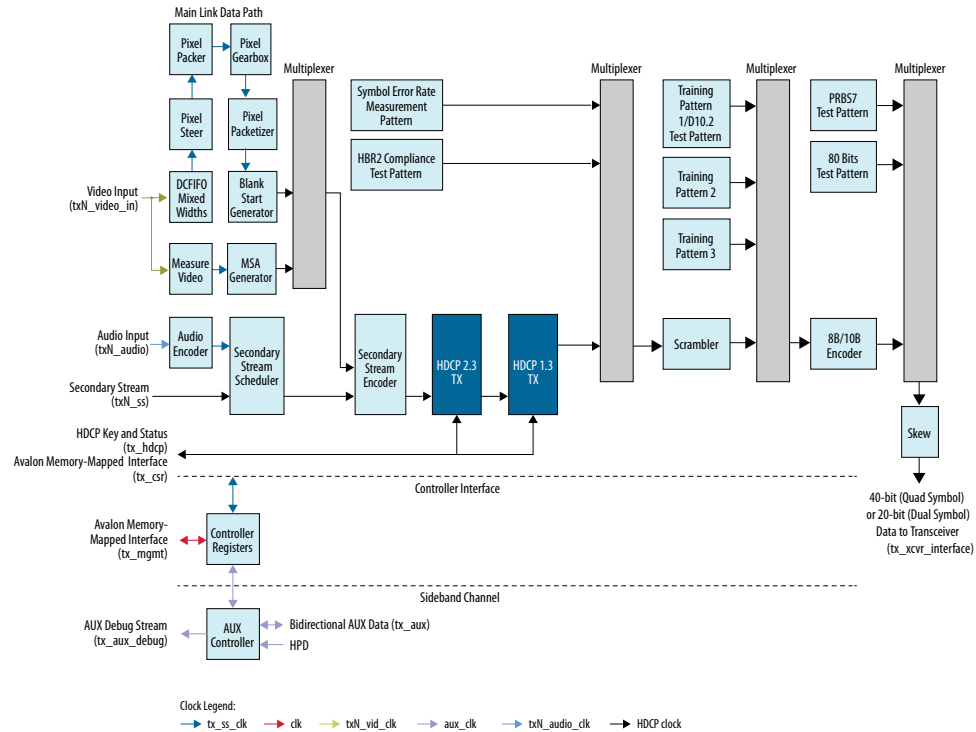


Figure 12. DisplayPort Source Functional Block Diagram



The source accepts a standard H-sync, V-sync, and data enable video stream for encoding. The IP latches and processes the video data, such as color reordering, before processing it using the txN_video_in input. N represents the stream number: tx_video_in (Stream 0), $tx1_video_in$ (Stream 1), $tx2_video_in$ (Stream 2), and $tx3_video_in$ (Stream 3). Streams 1, 2, and 3 are only available when you turn on the **Support MST** parameter and specify the **Max stream count** parameter to 2, 3, or 4 streams respectively.

The video data width supports 6 to 16 bits per color (bpc) and is user selectable. If you set **Pixel input mode** to Dual or Quad, the video input can accept two or four pixels per clock, thereby extending the pixel clock rate capability.

5.1. Main Data Path

The main link data path consists of the video packetizer, video geometry measurement, audio and secondary stream encoder, and training and link quality patterns generator.

The IP multiplexes data from these four paths and transmits it through a scrambler and an 8B/10B encoder. All the symbols, both those transmitted during video display period and those transmitted during video blanking period, are skewed by two Link symbol period between adjacent lanes.



5.1.1. Video Packetizer Path

The video packetizer path provides video data resampling and packetization.

The video packetizer path consists of the following steps:

1. The mixed-width DCFIFO crosses the video data from the video clock domain (txN_vid_clk) into the main link clock domain (tx_ss_clk) generated by the transceiver. This main clock can be 270, 202.5, 135, 81, 67.5, or 40.5 MHz, depending on the actual main link rate requested and the symbols per clock.
2. The pixel steer block aligns the video data so that the first active pixel of each video line occupies the least significant position.
3. The pixel packer block decimates the video data to the requested lane count (1, 2, or 4).
4. The pixel gearbox block resamples the video data according to the specified color depth. You can optimize the gearbox by implementing fewer color depths. For example, you can reduce the resources required to implement the system by supporting only the maximum color depths you need instead of the complete set of color depths specified in the *VESA DisplayPort Standard*.
5. The DisplayPort Intel FPGA IP packetizes the resampled data. The *VESA DisplayPort Standard* requires data to be sent in a transfer unit (TU), which can be 32 to 64 link symbols long. To reduce complexity, the DisplayPort source uses a fixed 64-symbol TU. The specification also requires that the video data be evenly distributed within the TUs composing a full active video line. A throttle function distributes the data and regulates it to ensure that the TUs leaving the IP are evenly packed. The pixel packetizer punctuates the outgoing video stream with the correct packet comma codes, such as blank end (BE), fill start (FS), and fill end (FE). Internally, the pixel packetizer uses a symbol and a TU counter to ensure that it respects the TU boundaries.
6. The blank start generator determines when to send the blank start (BS) comma codes with their corresponding video data packets. This block operates in enhanced or standard framing mode.

Note: A minimal DisplayPort system should support both 6 and 8 bpc. The *VESA DisplayPort Standard* requires support for a mandatory VGA fail-safe mode (640 x 480 at 6 bpc).

5.1.2. Video Geometry Measurement Path

The video geometry measurement path determines the video geometry (such as HTOTAL, VTOTAL, and VHEIGHT) required for the DisplayPort main stream attributes (MSA), which are sent once every vertical blanking interval.

The MSA generator provides the MSA packet framed with secondary start (SS) and secondary end (SE) comma codes based on the requested lane count. The multiplexer then combines the packetized data from the video packetizer path and the MSA data into a single stream.

5.1.3. Audio and Secondary Stream Encoder Path

The audio encoder generates the Audio InfoFrame, Audio Timestamp, and Audio Sample packets from the incoming audio sample data stream. The secondary stream scheduler arbitrates the data flow among the Audio InfoFrame, Audio Timestamp, and Audio Sample packets and the incoming secondary stream packet into a single secondary stream in a round robin method.

Based on the requested lane count, the secondary stream encoder packetizes and inserts the secondary stream packets into the combined packetized video and MSA data.

The secondary stream encoder path consists of the following steps:

1. The secondary stream encoder determines the valid windows of opportunity during vertical and horizontal blanking regions for secondary stream packets.
2. The secondary stream encoder derives the parity byte and performs nibble interleaving for enhancing error-correcting capability.
3. The encoder packetizes the secondary stream packets with SS and SE.
4. The encoder inserts the secondary stream packets into the merged video and MSA data.

5.1.4. Training and Link Quality Patterns Generator

The IP multiplexes the packetized data, MSA data, and blank generator data into a single stream.

The combined data goes through a scrambler and an 8B/10B encoder, and is available as a 20-bit double-rate or a 40-bit quad-rate DisplayPort encoded video port. The 20- or 40-bit port connects directly to the Intel FPGA high-speed output transceiver.

During training periods, the source can send the DisplayPort clock recovery and symbol lock test patterns (training pattern 1, training pattern 2, and training pattern 3, respectively), upon receiving the request from downstream DisplayPort sink.

The DisplayPort source also supports a test procedure for measuring the link quality, including these features:

- Transmission of a Nyquist pattern (repetition of D10.2 symbols without scrambling)
- Symbol Error measurement pattern
- PRBS7 bit pattern
- Custom 80-bit repeating pattern
- HBR2 Compliance EYE pattern

Only the Symbol Error measurement pattern and HBR2 Compliance EYE pattern require both scrambling and 8B/10B encoding. The PRBS7 pattern and Custom 80-bit pattern do not require scrambling or 8B/10B encoding. Training patterns 1, 2, and 3, and D10.2 test pattern require only 8B/10B encoding.



5.2. Controller Interface

The controller interface allows you to control the source from an external or on-chip controller, such as the Nios II processor.

The controller controls the main link data path and the sideband channel.

5.3. Sideband Channel

The DisplayPort Intel FPGA IP uses the sideband communication over sideband channel (AUX channel and HPD) to manage topology and virtual channel connection/main link, and performs main link symbol mapping.

The AUX controller interface works with a simple serial-port-type peripheral that operates in a polled mode. It captures all bytes sent from and received by the AUX channel, which is useful for debugging. The IP clocks the AUX controller using a 16 MHz clock input (`aux_clk`).

5.4. Source Embedded DisplayPort (eDP) Support

The DisplayPort Intel FPGA IP is compliant with eDP version 1.3. eDP is based on the *VESA DisplayPort Standard*. It has the same electrical interface and can share the same video port on the controller. The DisplayPort source IP supports:

- Full (normal) link training—default
- Fast link training—mandatory eDP feature

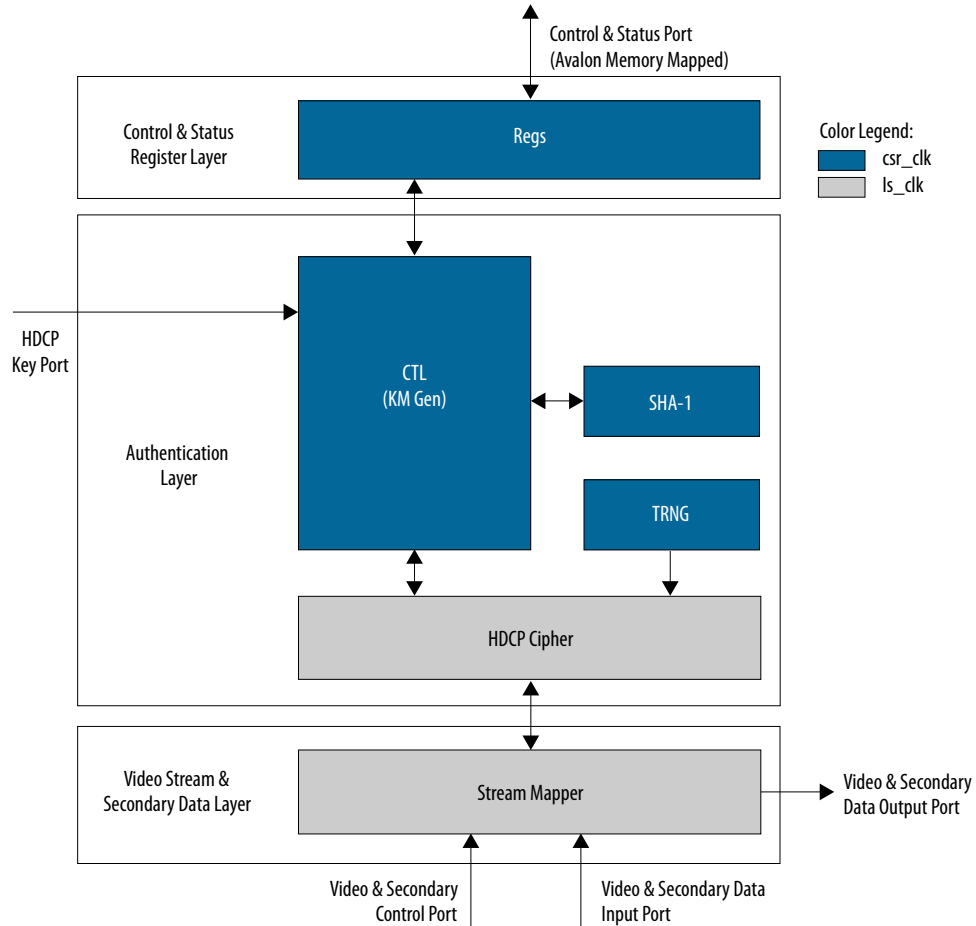
5.5. HDCP 1.3 TX Architecture

The HDCP 1.3 transmitter block encrypts video and secondary data, including main stream attributes (MSA), prior to the transmission over serial link that has HDCP 1.3 device connected.

The HDCP 1.3 TX core consists of the following entities:

- Control and Status Registers Layer
- Authentication Layer
- Video Stream and Secondary Data Layer

Figure 13. Architecture Block Diagram of HDCP 1.3 TX IP



The Nios II processor typically drives the HDCP 1.3 TX core. The processor implements the authentication protocol. The processor accesses the IP through the Control and Status Port (`tx_csr` interface) using Avalon memory-mapped interface.

The HDCP specifications requires the HDCP 1.3 TX core to be programmed with the DCP-issued production keys – Device Private Keys (Akeys) and Key Selection Vector (Aksv). The IP retrieves the key from the on-chip memory externally to the core through the HDCP Key Port (`tx_hdcp` interface). The on-chip memory must store the key data in the arrangement in the table below.

Table 16. HDCP 1.3 TX Key Port Addressing

Address	Content
6'h28	{16'd0, Aksv[39:0]}
6'h27	Akeys39[55:0]
6'h26	Akeys38[55:0]
<i>continued...</i>	



Address	Content
...	...
6'h01	Akeys01[55:0]
6'h00	Akeys00[55:0]

When authenticating with the HDCP 1.3 repeater device, the HDCP 1.3 TX core must perform the second part of the authentication protocol. This second part corresponds to the computation of the SHA-1 hash digest for all downstream device KSVs which are written to the registers in Control and Status Register Layer using the Control and Status Port (Avalon-MM).

The Video Stream and Secondary Data layer receives audio and video content over its Video and Secondary Data Input Port, and performs the encryption operation. The Video Stream and Secondary Data Layer detects the Encryption Status Signaling (ESS) provided by the DisplayPort TX core to determine when to encrypt frames.

You can use the HDCP 1.3 registers to perform authentication. The HDCP 1.3 TX core supports full handshaking mechanism for authentication. Every issued command should be followed by polling of the assertion of its corresponding status bit before proceeding to issuing the next command. The value of AUTH_CMD must be in one-hot format that only one bit can be set at a time.

Table 17. HDCP 1.3 TX Register Mapping

Address	Register	R/W	Reset	Bit	Bit Name	Description
0x00	AUTH_CMD (one-hot)	WO	0x00000000	31:6	Reserved	Reserved.
				5	GO_V	Set to 1 to compute V and compare against V' during authentication with repeater. Self-cleared.
				4	Reserved	Reserved.
				3	GEN_RI	Set to 1 to generate and receive R0 during authentication exchange or Ri during link integrity verification. Ri-Ri' comparison should be performed by Nios II processor. Self-cleared.
				2	GO_KM	Set to 1 to compute master key (km). Self-cleared.
				1	GEN_AKSV	Set to 1 to request and receive Aksv. Self-cleared.
				0	GEN_AN	Set to 1 to generate and receive new true random An. Self-cleared.
0x01	AUTH_MSGDATAIN	WO	0x00000000	31:8	Reserved	Reserved.
				7:0	MSGDATAIN	Write messages (in byte) from receiver in burst mode. 1. Master key computation: Prior to setting GO_KM to 1, the BCAPS.REPEATER bit had

continued...



Address	Register	R/W	Reset	Bit	Bit Name	Description
						<p>to be set and the following messages had to be written in this sequence:</p> <ol style="list-style-type: none"> a. 5 bytes of Bksv with least significant byte (lsb) first. <p>2. V generation: Prior to setting GO_V to 1, the following messages had to be written in this sequence:</p> <ol style="list-style-type: none"> a. 20 bytes of V' with lsb first b. Variable length of KSV list with lsb first c. 2 bytes of Bstatus with lsb first
0x02	AUTH_STATUS	RO	0x0000000	31	KM_OK	Asserted by the core to indicate the received Bksv is valid. Poll KM_DONE until it is set before reading KM_OK.
				30	V_OK	Asserted by the core to indicate V-V' comparison is passed. Poll V_DONE until it is set before reading V_OK.
				29:6	Reserved	Reserved.
				5	V_DONE	Asserted by the core when V is generated. Self-cleared upon next GO_V is set.
				4	Reserved	Reserved
				3	RI_DONE	Asserted by the core when Ri is generated. Self-cleared upon next GEN_RI is set.
				2	KM_DONE	Asserted by the core when Km is generated. Self-cleared upon next GO_KM is set.
				1	AKSV_DONE	Asserted by the core when Aksv is ready to be read from MSGDATAOUT. Self-cleared upon next GEN_AKSV is set.
				0	AN_DONE	Asserted by the core when new random An is generated and ready to be read from MSGDATAOUT. Self-cleared upon next GEN_AN is set.
0x03	AUTH_MSGDATAOUT	RO	0x0000000	31:8	Reserved	Reserved.

continued...



Address	Register	R/W	Reset	Bit	Bit Name	Description
				7:0	MSGDATAOUT	Read messages (in byte) from the IP in burst mode. <ol style="list-style-type: none"> 1. An generation: When AN_DONE is set to 1, reading this offset 8 times to obtain An with lsb first. 2. Aksv request: When AKSV_DONE is set to 1, reading this offset 5 times to obtain Aksv with lsb first. 3. Ri request: When RI_DONE is set to 1, reading this offset 2 times to obtain Ri with lsb first.
0x04	VID_CTL	RW	0x00000000	31:1	Reserved	Reserved.
				0	HDCP_ENABLE	Set to 1 to enable HDCP 1.3 encryption. Set to 0 if HDCP 1.3 encryption is not required especially when it is in unauthenticated state.
0x05	BCAPS	RW	0x00000000	31:2	Reserved	Reserved..
				1	REPEATER	Downstream repeater capability. Write bit 6 (REPEATER) of Bcaps received from downstream to this offset.
				0	Reserved	Reserved.

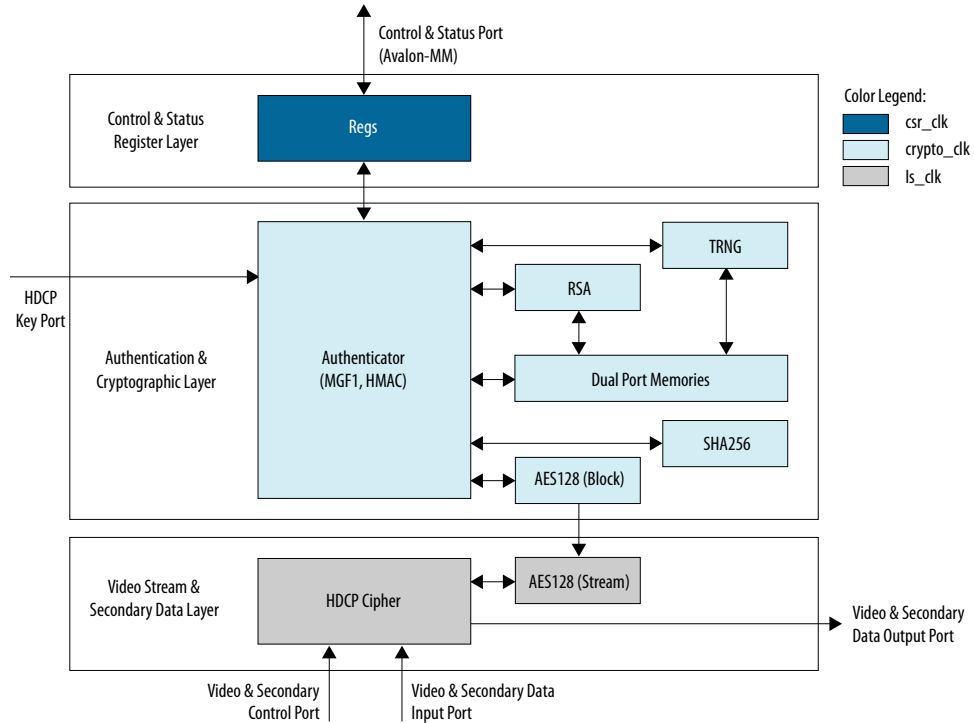
5.6. HDCP 2.3 TX Architecture

The HDCP 2.3 transmitter block encrypts video and secondary data, including main stream attributes (MSA), prior to the transmission over serial link that has HDCP 2.3 device connected.

The HDCP 2.3 TX core consists of the following entities:

- Control and Status Registers Layer
- Authentication and Cryptographic Layer
- Video Stream and Secondary Data Layer

Figure 14. Architecture Block Diagram of HDCP 2.3 TX IP



The Nios II processor typically drives the HDCP 2.3 TX core. The processor implements the authentication protocol. The processor accesses the IP through the Control and Status Port (`tx_csr` interface) using Avalon memory-mapped interface.

The HDCP specifications requires the HDCP 2.3 TX core to be programmed with the DCP-issued production key – Global Constant (lc128). The IP retrieves the key from the on-chip memory externally to the core through the HDCP Key Port (`tx_hdcp` interface). The on-chip memory must store the key data in the arrangement in the table below.

Table 18. HDCP 2.3 TX Key Port Addressing

Address	Content
2'h3	lc128[127:96]
2'h2	lc128[95:64]
2'h1	lc128[63:32]
2'h0	lc128[31:0]

The Video Stream and Secondary Data Layer receives audio and video content over its Video and Secondary Data Input port, and performs the encryption operation. The Video Stream and Secondary Data Layer detects the Encryption Status Signaling (ESS) provided by the DisplayPort TX core to determine when to encrypt frames.



You can use the HDCP 2.3 registers to perform authentication. The HDCP 2.3 TX core supports full handshaking mechanism for authentication. Every issued command should be followed by polling of the assertion of its corresponding status bit before proceeding to issuing the next command. The value of CRYPTO_CMD must be in one-hot encoding format that only one bit can be set at a time.

Table 19. HDCP 2.3 TX Register Mapping

Address	Register	R/W	Reset	Bit	Bit Name	Description
0x00	CRPYTO_CMD (one-hot)	WO	0x00000000	31:11	Reserved	Reserved
				10	GO_HMAC_M	Set to 1 to compute M and verify against M'. Self-cleared upon operation is busy.
				9	GO_HMAC_V	Set to 1 to compute V and verify against V'. Self-cleared upon operation is busy.
				8	GEN_RIV	Set to 1 to generate and receive new random riv. Self-cleared upon operation is busy.
				7	GEN_EDKEYKS	Set to 1 to generate and receive new random Edkey(ks). Self-cleared upon operation is busy.
				6	GO_HMAC_L	Set to 1 to compute L and verify against L'. Self-cleared upon operation is busy.
				5	GEN_RN	Set to 1 to generate and receive new random rn. Self-cleared upon operation is busy.
				4	GO_HMAC_H	Set to 1 to compute H and verify against H'. Self-cleared upon operation is busy.
				3	GO_KD	Set to 1 to compute kd (dkey0, dkey1). Self-cleared upon operation is busy.
				2	GEN_EKPUBKM	Set to 1 to generate and receive new random Epub(km). Self-cleared upon operation is busy.
				1	GO_SIG	Set to 1 to verify signature (certrx or SRM). Self-cleared upon operation is busy.
				0	GEN_RTX	Set to 1 to generate and receive new random rtx. Self-cleared upon operation is busy.
0x01	CRYPTO_MSGDATAIN	WO	0x00000000	31:8	Reserved	Reserved
				7:0	MSGDATAIN	Write messages (in byte) from receiver in burst mode. 1. Signature verification (certrx): Prior to setting GO_SIG to 1, the following messages had to be written in this sequence:

continued...



Address	Register	R/W	Reset	Bit	Bit Name	Description
						<ul style="list-style-type: none"> a. 384 bytes of signature with least significant byte (lsb) first b. 5 bytes of Receiver ID with most significant byte (msb) first c. 128 bytes of Receiver Public Key modulus (n) with msb first d. 3 bytes of Receiver Public Key exponent (e) with msb first e. 2 bytes of Reserved with msb first <p>2. Signature verification (SRM): Prior to setting GO_SIG to 1, the following messages had to be written in this sequence:</p> <ul style="list-style-type: none"> a. 384 bytes of signature with lsb first b. All preceding fields of the SRM (except signature) with msb first <p>3. Master Key encryption: Prior to setting GEN_EKPUBKM to 1, the following messages had to be written in this sequence:</p> <ul style="list-style-type: none"> a. 128 bytes of Receiver Public Key modulus (n) with msb first b. 3 bytes of Receiver Public Key exponent (e) with msb first. <p>4. Compute kd for HMAC: Prior to setting GO_KD to 1, the following messages had to be written in this sequence:</p> <ul style="list-style-type: none"> a. 8 bytes of rrx with msb first b. 3 bytes of RxCaps with msb first <p>5. H-H' comparison: Prior to setting GO_HMAC_H to 1, the following messages had to be written in this sequence:</p> <ul style="list-style-type: none"> a. 32 bytes of H' with msb first <p>6. L-L' comparison: Prior to setting GO_HMAC_L to 1, the following messages had to be written in this sequence:</p> <ul style="list-style-type: none"> a. 32 bytes of L' with msb first <p>7. V-V' comparison: Prior to setting GO_HMAC_V to 1, the following messages had to be written in this sequence:</p>
<i>continued...</i>						



Address	Register	R/W	Reset	Bit	Bit Name	Description
						<ul style="list-style-type: none"> a. 16 bytes of V' with msb first b. Variable length of ReceiverID_List with msb first c. 2 bytes of RxInfo with msb first d. 3 bytes of seq_num_V with msb first <p>8. M-M' comparison: Prior to setting GO_HMAC_M to 1, the following messages had to be written in this sequence:</p> <ul style="list-style-type: none"> a. 32 bytes of M' with msb first b. 2 bytes of StreamID_Type with msb first c. 3 bytes of seq_num_M with msb first
0x02	CRYPTO_STATUS	RO	0x00000000	31	SIG_OK	Asserted by the core to indicate signature verification is passed. Poll SIG_DONE until it is set before reading SIG_OK.
				30	H_OK	Asserted by the core to indicate H-H' comparison is passed. Poll H_DONE until it is set before reading H_OK.
				29	L_OK	Asserted by the core to indicate L-L' comparison is passed. Poll L_DONE until it is set before reading L_OK.
				28	V_OK	Asserted by the core to indicate V-V' comparison is passed. Poll V_DONE until it is set before reading V_OK.
				27	M_OK	Asserted by the core to indicate M-M' comparison is passed. Poll M_DONE until it is set before reading M_OK.
				26:11	Reserved	Reserved
				10	M_DONE	Asserted by the core when M-M' comparison is done. Self-cleared upon next GO_HMAC_M is set.
				9	V_DONE	Asserted by the core when V-V' comparison is done. Self-cleared upon next GO_HMAC_V is set.
				8	RIV_DONE	Asserted by the core when riv is generated and ready to be read from MSGDATAOUT. Self-cleared upon next GEN_RIV is set.
				7	EDKEYKS_DONE	Asserted by the core when Edkey(ks) is generated and ready to be read from MSGDATAOUT. Self-cleared upon next GEN_EDKEYKS is set.

continued...



Address	Register	R/W	Reset	Bit	Bit Name	Description
				6	L_DONE	Asserted by the core when L-L' comparison is done. Self-cleared upon next GO_HMAC_L is set.
				5	RN_DONE	Asserted by the core when rn is generated and ready to be read from MSGDATAOUT. Self-cleared upon next GEN_RN is set.
				4	H_DONE	Asserted by the core when H-H' comparison is done. Self-cleared upon next GO_HMAC_H is set.
				3	KD_DONE	Asserted by the core when kd is generated. Self-cleared upon next GO_KD is set.
				2	EKPUBKM_DONE	Asserted by the core when Ekp(km) is generated and ready to be read from MSGDATAOUT. Self-cleared upon next GEN_EKPUBKM is set.
				1	SIG_DONE	Asserted by the core when signature verification is done. Self-cleared upon next GO_SIG is set.
				0	RTX_DONE	Asserted by the core when rtx is generated and ready to be read from MSGDATAOUT. Self-cleared upon next GEN_RTX is set.
0x03	CRYPTO_MSGDATAOUT	RO	0x0000000	31:8	Reserved	Reserved.
				7:0	MSGDATAOUT	<p>Read messages (in byte) from the IP in burst mode.</p> <ol style="list-style-type: none"> 1. Rtx generation: When RTX_DONE is set to 1, reading this offset 8 times to obtain rtx with msb first. 2. Master Key generation: When EKPUBKM_DONE is set to 1, reading this offset 128 times to obtain Ekp(km) with msb first. 3. Rn generation: When RN_DONE is set to 1, reading this offset 8 times to obtain rn with msb first. 4. Session Key generation: When EDKEYKS_DONE is set to 1, reading this offset 16 times to obtain Edkey(ks) with msb first. 5. Riv generation: When RIV_DONE is set to 1, reading this offset 8 times to obtain riv with msb first.

continued...



Address	Register	R/W	Reset	Bit	Bit Name	Description
0x04	VID_CTL	RW	0x00000000	31:2	Reserved	Reserved.
				1	TYPE	<ul style="list-style-type: none"> 0: Type 0 content stream 1: Type 1 content stream
				0	HDCP_ENABLE	Set to 1 to enable HDCP 2.3 encryption. Set to 0 if HDCP 2.3 encryption is not required especially when it is in unauthenticated state.

5.7. Source Interfaces

The following tables list the source's port interfaces. Your instantiation contains only the interfaces that you have enabled.

Table 20. Controller Interface

Interface	Port Type	Clock Domain	Port	Direction	Description
clk	Clock	N/A	clk	Input	Clock for embedded controller
reset	Reset	clk	reset	Input	Reset for embedded controller
tx_mgmt	AV-MM	clk	tx_mgmt_address[8:0]	Input	32-bit word addressing address
			tx_mgmt_chipselect	Input	Assert for valid read or write access
			tx_mgmt_read	Input	Assert to indicate a read transfer
			tx_mgmt_write	Input	Assert to indicate a write transfer
			tx_mgmt_writedata[31:0]	Input	Data for write transfers
			tx_mgmt_readdata[31:0]	Output	Data for read transfers
			tx_mgmt_waitrequest	Output	Asserted when the DisplayPort Intel FPGA IP is unable to respond to a read or write request. Forces the GPU to wait until the IP is ready to proceed with the transfer.
tx_mgmt_irq	IRQ	clk	tx_mgmt_irq	Output	Interrupt for embedded controller

Table 21. Transceiver Management Interface

n is the number of TX lanes.

Interface	Port Type	Clock Domain	Port	Direction	Description
xcvr_mgmt_clk	Clock	N/A	xcvr_mgmt_clk	Input	Transceiver management clock
clk_cal	Clock	N/A	clk_cal	Input	A 50-MHz calibration clock input. This clock must be synchronous to the clock used for the Transceiver Reconfiguration block (xcvr_mgmt_clk), external to the DisplayPort source.
tx_analog_reconfig	Conduit	xcvr_mgmt_clk	tx_vod[2n - 1:0]	Output	Transceiver analog reconfiguration handshaking
			tx_emp[2n - 1:0]	Output	
			tx_analog_reconfig_req	Output	
			tx_analog_reconfig_ack	Input	
			tx_analog_reconfig_busy	Input	
tx_reconfig	Conduit	xcvr_mgmt_clk	tx_link_rate[1:0]	Output	Transceiver link rate reconfiguration handshaking
			tx_link_rate_8bits[7:0]	Output	
			tx_reconfig_req	Input	
			tx_reconfig_ack	Input	
			tx_reconfig_busy	Input	

Note: Value of tx_link_rate[1:0]: 0 = 1.62 Gbps, 1 = 2.70 Gbps, 2 = 5.40 Gbps, 3 = 8.10 Gbps; value of tx_link_rate_8bits[7:0]: 0x06 = 1.62 Gbps, 0x0a = 2.70 Gbps, 0x14 = 5.40 Gbps, 0x1e = 8.10 Gbps.

Note: For devices using a 50-MHz xcvr_mgmt_clk clock, connect the same clock directly also to the clk_cal signal. For devices using a 100-MHz xcvr_mgmt_clk clock, connect the same clock to clk_cal signal through a by-2 divider.

[Transceiver Analog Reconfiguration Interface](#) on page 71

[Transceiver Reconfiguration Interface](#) on page 70

Video Interface

When you turn off **Enable Video input Image port**, the source uses the standard HSYNC/VSYNC/DE ports in txN_vid_clk and txN_video_in interfaces.



Table 22. Video Interface (HSYNC/VSYNC/DE Interface)

v is the number of bits per color, p is the pixels per clock (1 = single, 2 = dual, and 4 = quad). N is the stream number; for example, tx_vid_clk represents Stream 0, $tx1_vid_clk$ represents Stream 1, and so on.

Interface	Port Type	Clock Domain	Port	Direction	Description
txN_vid_clk	Clock	N/A	txN_vid_clk	Input	Video clock
txN_video_in	Conduit	txN_vid_clk	$txN_vid_data[3v*p-1:0]$	Input	Video data and standard H/V synchronization video port input
			$txN_vid_v_sync[p-1:0]$	Input	
			$txN_vid_h_sync[p-1:0]$	Input	
			$txN_vid_de[p-1:0]$	Input	

When you turn on **Enable Video input Image port**, the source uses the txN_im_clk and $txN_video_in_im$ interfaces.

Table 23. Video Interface (TX Video IM Interface)

v is the number of bits per color, p is the pixels per clock (1 = single, 2 = dual, and 4 = quad). N is the stream number; for example, tx_im_clk represents Stream 0, $tx1_im_clk$ represents Stream 1, and so on.

Interface	Port Type	Clock Domain	Port	Direction	Description
txN_im_clk	Clock	N/A	txN_im_clk	Input	Video Image clock
txN_video_in	Conduit	txN_im_clk	txN_im_sol	Input	Start of video line
			txN_im_eol	Input	End of video line
			txN_im_sof	Input	Start of video frame
			txN_im_eof	Input	End of video frame
			$txN_im_data[3v*p-1:0]$	Input	Video input data
			$txN_im_valid[p-1:0]$	Input	Video data valid. Each bit must assert when all other signals on this port are valid and the corresponding pixel belongs to active video.
			txN_im_locked	Input	Video locked <ul style="list-style-type: none"> 0 = Unlocked 1 = Locked
			$txN_im_interlace$	Input	Video interlaced <ul style="list-style-type: none"> 0 = Progressive video 1 = Interlaced video
txN_im_field	Input	Video field <ul style="list-style-type: none"> 0 = Bottom field (or progressive) 1 = Top field 			

Table 24. AUX Interface

Interface	Port Type	Clock Domain	Port	Direction	Description
aux_clk	Clock	N/A	aux_clk	Input	AUX channel clock
aux_reset	Reset	aux_clk	aux_reset	Input	Active-high AUX channel reset
<i>continued...</i>					

Interface	Port Type	Clock Domain	Port	Direction	Description
tx_aux	Conduit	aux_clk	tx_aux_in	Input	AUX channel data input
			tx_aux_out	Output	AUX channel data output
			tx_aux_oe	Output	Output buffer enable
			tx_hpd	Input	Hot plug detect
tx_aux_debug	AV-ST	aux_clk	tx_aux_debug_data[31:0]	Output	Formatted AUX channel debug data
			tx_aux_debug_valid	Output	Asserted when all the other signals on this port are valid
			tx_aux_debug_sop	Output	Start of packet (start of AUX request or reply)
			tx_aux_debug_eop	Output	End of packet (end of AUX request or reply)
			tx_aux_debug_err	Output	Asserted when an AUX channel bit error is detected
			tx_aux_debug_cha	Output	The channel number for data being transferred on the current cycle. Used as AUX channel data direction. 0 = Reply (from DisplayPort sink) 1 = Request (to DisplayPort sink)

[AUX Interface](#) on page 66

Table 25. Secondary Interface

N is the stream number; for example, tx_ss represents Stream 0, tx1_ss represents Stream 1, and so on.

Interface	Signal Type	Clock Domain	Port	Direction	Description
tx_ss_clk	Clock	N/A	tx_ss_clk	Output	TX transceiver clock out and clock for secondary stream
Secondary Stream (txN_ss)	AV-ST	tx_ss_clk	txN_ss_data[127:0]	Input	Secondary stream interface
			txN_ss_valid	Input	
			txN_ss_ready	Output	
			txN_ss_sop	Input	
			txN_ss_eop	Input	

[Secondary Stream Interface](#) on page 71

Table 26. Audio Interface

m is the number of TX audio channels. N is the stream number; for example, tx_audio represents Stream 0, tx1_audio represents Stream 1, and so on.

Interface	Signal Type	Clock Domain	Port	Direction	Description
Audio	Clock	N/A	txN_audio_clk	Input	Audio clock

continued...



Interface	Signal Type	Clock Domain	Port	Direction	Description
(txN_audio)	Conduit	txN_audio_clk	txN_audio_lpcm_data [m*32-1:0]	Input	m channels of 32-bit audio sample data.
			txN_audio_valid	Input	Must be asserted when valid data is available on txN_audio_lpcm_data
			txN_audio_mute	Input	Must be asserted when audio is muted

Audio Interface on page 75

Table 27. TX Transceiver Interface

n is the number of TX lanes, s is the number of symbols per clock.

Note: Connect the DisplayPort signals to the Native PHY signals of the same name.

Interface	Port Type	Clock Domain	Port	Direction	Description
TX transceiver interface	Clock	N/A	tx_std_clkout[n-1:0]	Input	TX transceiver clock out. Equivalent to Link Speed Clock (ls_clk).
	Conduit	tx_std_clkout	tx_parallel_data[n*s*10-1:0]	Output	Parallel data for TX transceiver
	Conduit	N/A	tx_pll_powerdown	Output	PLL power down for TX transceiver
	Conduit	xcvr_mgmt_clk	tx_digitalreset[n-1:0]	Output	Resets the digital TX portion of TX transceiver Note: Required only for Arria V, Cyclone V, and Stratix V devices.
	Conduit	N/A	tx_analogreset[n-1:0]	Output	Resets the analog TX portion of TX transceiver Note: Required only for Arria V, Cyclone V, and Stratix V devices.
	Conduit	N/A	tx_cal_busy[n-1:0]	Input	Calibration in progress signal from TX transceiver
	Conduit	N/A	tx_pll_locked	Input	PLL locked signal from TX transceiver

Table 28. HDCP Interface

Applicable only when you turn on the **Support HDCP 2.3** or **Support HDCP 1.3** parameters.

Interface	Port Type	Clock Domain	Port	Direction	Description
HDCP Clocks (hdcp_clks)	Reset	-	hdcp_reset	Input	Main asynchronous reset for HDCP.
	Clock	-	csr_clk	Input	HDCP clock for control and status registers. Typically, shares the Nios II processor clock (100 MHz).

continued...



Interface	Port Type	Clock Domain	Port	Direction	Description
		-	crypto_clk	Input	HDCP 2.3 clock for authentication and cryptographic layer. You can use any clock with a frequency of up to 200 MHz. Not applicable for HDCP 1.3. <i>Note:</i> The clock frequency determines the authentication latency.
CSR Interface (tx_csr)	Avalon-MM	csr_clk	tx_csr_addr[7:0]	Input	The Avalon-MM slave port that provides access to internal control and status register, mainly for authentication messages transfer. This interface is expected to operate at Nios II processor clock domain. Because of the extremely large bit portion of message, the IP transfers the message in burst mode with full handshaking mechanism. Write transfers always have a wait time of 0 cycle while read transfers have a wait time of 1 cycle. The addressing should be accessed as word addressing in the Platform Designer flow. For example, addressing of 4 in the Nios II software selects the address of 1 in the slave.
			tx_csr_wr	Input	
			tx_csr_rd	Input	
			tx_csr_wrddata[31:0]	Input	
			tx_csr_rddata[31:0]	Output	
HDCP Key and Status Interface (tx_hdcp)	Conduit (Key)	crypto_clk	tx_kmem_wait[0] (HDCP 2.3) tx_kmem_wait[1] (HDCP 1.3)	Input	Always keep this signal asserted until the key is ready to be read.
			tx_kmem_rdaddr[3:0] (HDCP 2.3) tx_kmem_rdaddr[9:4] (HDCP 1.3)	Output	Key read address bus. [3:2] = Reserved.
			tx_kmem_q[31:0] (HDCP 2.3) tx_kmem_q[87:32] (HDCP 1.3)	Input	Key data for read transfers. Read transfer always have a wait time of 1 cycle.
	Conduit	tx_std_clkout[0]	tx_hdcp1_enabled	Output	This signal is asserted by the IP if the outgoing video and secondary data are HDCP 1.3 encrypted.

continued...



Interface	Port Type	Clock Domain	Port	Direction	Description
			tx_hdcp2_enabled	Output	This signal is asserted by the IP if the outgoing video and secondary data are HDCP 2.3 encrypted.
		csr_clk	tx_hdcp1_disable	Input	Assert this signal to disable the HDCP 1.3 IP. <i>Note:</i> You must reset the HDCP IP (<code>hdcp_reset</code>) after toggling this signal. You must not call the software API <code>hdcp_main()</code> while this signal is asserted. You must call the software API <code>hdcp_unauth()</code> after deasserting this signal.
			tx_hdcp2_disable	Input	Assert this signal to disable the HDCP 2.3 IP. <i>Note:</i> You must reset the HDCP IP (<code>hdcp_reset</code>) after toggling this signal. You must not call the software API <code>hdcp_main()</code> while this signal is asserted. You must call the software API <code>hdcp_unauth()</code> after deasserting this signal.

[Transceiver Reconfiguration Interface](#) on page 70

5.7.1. Controller Interface

The controller interface allows you to control the source from an external or on-chip controller, such as the Nios II processor.

The controller can control the DisplayPort link parameters and the AUX channel controller.

The AUX channel controller interface works with a simple serial-port-type peripheral that operates in a polled mode. Because the DisplayPort AUX protocol is a master-slave interface, the DisplayPort source (the master) starts a transaction by sending a request and then waits for a reply from the attached sink.

The controller interface includes a single interrupt source. The interrupt notifies the controller of an HPD signal state change. Your system can interrogate the `DPTX_TX_STATUS` register to determine the cause of the interrupt. Writing to the `DPTX_TX_STATUS` register clears the pending interrupt event.



Related Information

[DisplayPort Source Register Map and DPCD Locations](#) on page 166

DisplayPort source instantiations require an embedded controller (Nios II processor or another controller) to act as the policy maker.

5.7.2. AUX Interface

The IP has three ports that control the serial data across the AUX channel:

- Data input (tx_aux_in)
- Data output (tx_aux_out)
- Output enable (tx_aux_oe). The output enable port controls the direction of data across the bidirectional link.

These ports are clocked by the source's 16 MHz clock (aux_clk).

The source's AUX controller captures all bytes sent from and received by the AUX channel, which is useful for debugging. The IP provides a standard stream interface that you can use to drive an Avalon-ST FIFO component directly.

Related Information

- [AN 522: Implementing Bus LVDS Interface in Supported Altera Device Families](#)
- [AN 745: Design Guidelines for Intel FPGA DisplayPort Interface](#)
Provides more information about the AUX channel circuitry implementation.

5.7.3. Video Interface

The core sends video to be encoded through the txN_video_in or txN_video_in_im interface, depending on whether or not you turn on the **TX Video IM Enable** parameter.

Table 29. Video Input Feature Comparisons

The table below shows the simplified comparison between the 2 different ways to feed video data to the source core.

Interface	Video Data Constraints	Calculated MSA Parameters	User-provided Required MSA Parameters	User-provided Optional MSA Parameters	Adaptive Sync Support
txN_video_in	<ul style="list-style-type: none"> • HS/VS/DE and real pixel clock available • Video data temporally correct 	All	None	None	No
txN_video_in_im	Video data temporally correct	<ul style="list-style-type: none"> • MVID • HWIDTH • VHEIGHT 	HTOTAL	<ul style="list-style-type: none"> • VTOTAL • HSP • HSW • HSTART • VSTART • VSP • VSW 	Yes

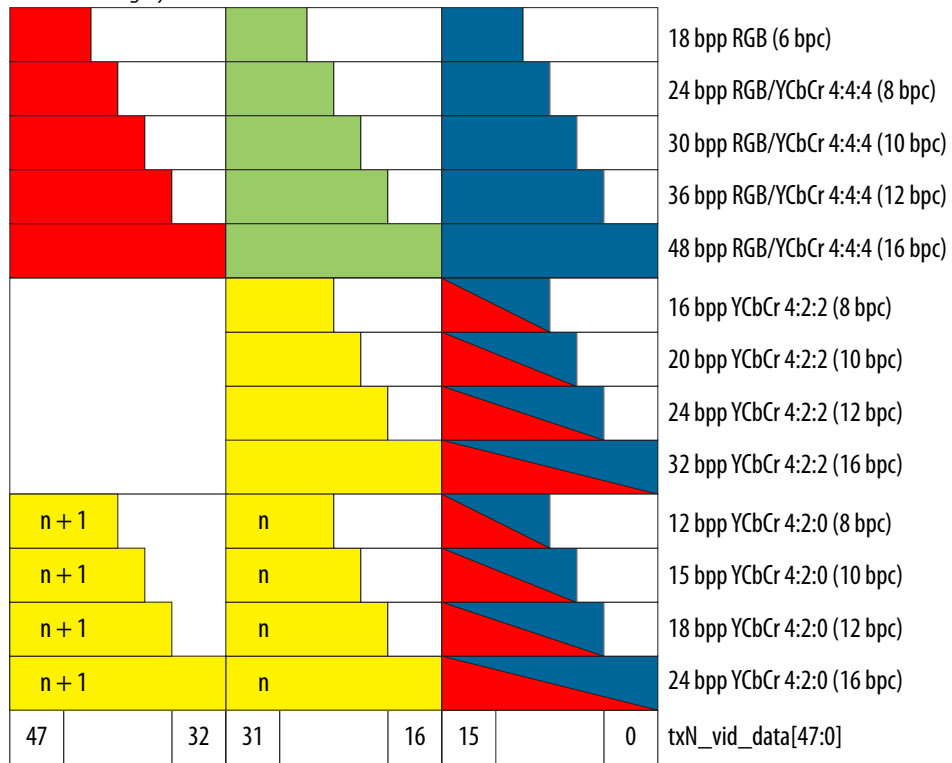
5.7.3.1. Video Interface (TX Video IM Enable = 0)

If you do not enable the video image interface feature, the core uses the traditional HSYNC/VSYNC/DE video input interface (txN_video_in).

You specify the data input width through the **Maximum video input color depth** parameter. The same input port transfers RGB and YCbCr data in 4:4:4, 4:2:2, or 4:2:0 color format. Data is most-significant bit aligned.

Figure 15. Video Input Data Format

18 bpp to 48 bpp for RGB/YCbCr 4:4:4, 16 bpp to 32 bpp for YCbCr 4:2:2, and 12 bpp to 24 bpp for YCbCr 4:2:0 port width when txN_video_in port width is 48 (**Maximum video input color depth** = 16 bpc, **Pixel input mode** = Single)



n = Pixel Index

Table 30. Video Ports for 4:2:2 and 4:2:0 Color Formats

Color Format	Description
Sub-sampled 4:2:2 color format	<ul style="list-style-type: none"> Video port bits 47:32 are unused Video port bits 31:16 always transfer the Y component Video port bits 15:0 always transfer the alternate Cb or Cr component
Sub-sampled 4:2:0 color format	<ul style="list-style-type: none"> For even lines (starting with line 0) <ul style="list-style-type: none"> Video port bits 47:32 always transfer the Y_{n+1} component. Video port bits 31:16 always transfer the Y_n component. Video port bits 15:0 always transfer the Cb_n component. For odd lines <ul style="list-style-type: none"> Video port bits 47:32 always transfer the Y_{n+1} component. Video port bits 31:16 always transfer the Y_n component. Video port bits 15:0 always transfer the Cr_n component.

Note: The frequency of `txN_vid_clk` must be halved when YCbCr 4:2:0 is used because two pixels are fed into a single clock cycle.

Table 31. YCbCr 4:2:0 Input Data Ordering Compared to RGB 4:4:4

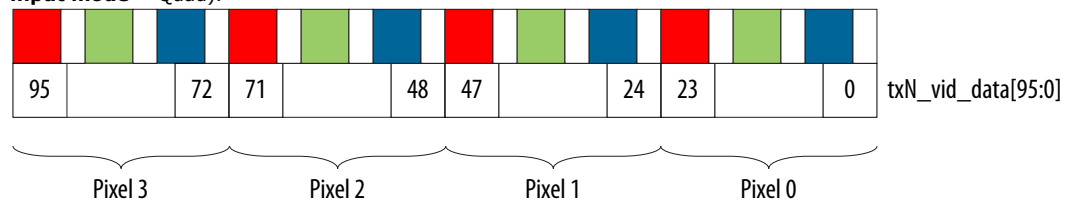
Pixel Indexes	R Position	G Position	B Position
0 and 1	Y1	Y0	<ul style="list-style-type: none"> • Cb0 (Even lines) • Cr0 (Odd lines)
2 and 3	Y3	Y2	<ul style="list-style-type: none"> • Cb2 (Even lines) • Cr2 (Odd lines)
4 and 5	Y5	Y4	<ul style="list-style-type: none"> • Cb4 (Even lines) • Cr4 (Odd lines)
...

If you set **Pixel input mode** to Dual or Quad, the IP sends two or four pixels in parallel, respectively. To support video resolutions with horizontal active, front porch, or back porch of a length not divisible by 2 or 4, the data enable, horizontal sync, and vertical sync signals are widened.

The following figure shows the pixel data order from the least significant bits to the most significant bits.

Figure 16. Video Input Data Alignment

For RGB 18 bpp when `txN_video_in` port width is 96 (**Maximum video input color depth** = 8 bpc, **Pixel input mode** = Quad).



5.7.3.2. Video Interface (TX Video IM Enable = 1)

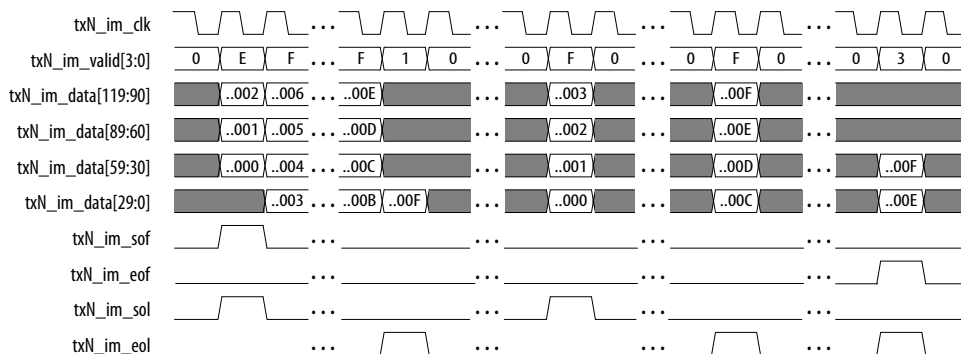
If you enable the video image interface feature, the core uses the video image interface (`txN_video_in_im`).

The `txN_video_in_im` ports replace the `txN_video_in` ports when you turn on the **TX Video IM Enable** parameter. The `txN_video_in_im` ports ($N = 0$ to 3) transmit video data when either the horizontal/vertical syncs or the exact pixel clock is not available. The streams need synchronization pulses at the start and end of active lines and active frames.

The timing diagram below illustrates the behavior of the ports when `TX_PIXELS_PER_CLOCK = 4`, `TX_VIDEO_BPC = 10`, and line length = 16 pixels.



Figure 17. Video Image Interface Ports Timing Diagram



- You specify the data input width through the **Maximum video input color depth** parameter. The core uses the same output port to transfer both RGB and YCbCr data in either 4:4:4, 4:2:2, or 4:2:0 color format.
- The data organization and pixel ordering of the txN_im_data ports are identical to the ones of the txN_vid_data signals.
- When you configure the **Pixel input mode** parameter to Dual or Quad, the IP sends two or four pixels in parallel respectively.
- The txN_im_valid signal is widened to support video horizontal resolutions not divisible by two or four. For example, if TX_PIXELS_PER_CLOCK = 2, txN_im_valid[0] must assert when pixel *N* belongs to active video and txN_im_valid[1] must assert when pixel *N*+1 belongs to active video.
- For interlaced video, the core samples txN_im_field when txN_im_sof asserts. When txN_im_field asserts, it marks txN_im_data as belonging to the top field.
- The frequency of the txN_im_clk signal must be equal to or higher than the frequency of the maximum video pixel clock to be transmitted divided by the pixel input mode.
- Not all clock cycles need to contain valid (active) pixel data; only those indicated by the assertion of txN_im_valid.
- The txN_video_in_im ports support the Adaptive Sync feature.

The source core measures only some of the MSA parameters from the incoming video signal:

- MVID
- HWIDTH
- VHEIGHT VSP and VSW

The GPU MSA registers for the remaining MSA parameters are Read/Write and you can set the value for these parameters:

- HTOTAL and VTOTAL
- HSP and HSW
- HSTART and VSTART

Note: The source core needs only `HTOTAL` because the core calculates the value of `MVID` from the interval time between `txN_im_sol` pulses and the amount of pixels accounted for. The source core ignores the rest of the MSA parameters and forwards to the connected sink.

5.7.4. TX Transceiver Interface

The transceiver or Native PHY IP core instance is no longer instantiated within the DisplayPort Intel FPGA IP.

The DisplayPort Intel FPGA IP uses a soft 8B/10B encoder. This interface provides TX encoded video data (`tx_parallel_data`) in either dual symbol (20-bit) or quad symbol (40-bit) mode and drives the digital reset (`tx_digitalreset`), analog reset (`tx_analogreset`), and PLL powerdown signals (`tx_pll_powerdown`) of the transceiver.

5.7.5. Transceiver Reconfiguration Interface

You can reconfigure the transceiver to accept single reference clock. The single reference clock is a 135 MHz clock for all bit rates: RBR, HBR, HBR2, and HBR3.

During run-time, you can reconfigure the transceiver to operate in either one of the bit rates by changing TX PLL divide ratio.

When the IP makes a request, the `tx_reconfig_req` port goes high. The user logic asserts `tx_reconfig_ack` and then reconfigures the transceiver. During reconfiguration, the user logic holds `tx_reconfig_busy` high. The user logic drives it low when reconfiguration completes.

Note: The transceiver requires a reconfiguration controller. Reset the transceiver to a default state upon power-up.

Related Information

- [AN 645: Dynamic Reconfiguration of PMA Controls in Stratix V Devices](#)
Provides more information about using the Transceiver Reconfiguration Controller to reconfigure the Stratix V Physical Media Attachment (PMA) controls dynamically.
- [V-Series Transceiver PHY IP Core User Guide](#)
Provides more information about how to reconfigure the transceiver for 28-nm devices.
- [AN 676: Using the Transceiver Reconfiguration Controller for Dynamic Reconfiguration in Arria V and Cyclone V Devices](#)
Provides more information about using the Transceiver Reconfiguration Controller to reconfigure the Arria V Physical Media Attachment (PMA) controls dynamically.
- [AN 678: High-Speed Link Tuning Using Signal Conditioning Circuitry](#)
Provides more information about link tuning.
- [Intel Arria 10 Transceiver PHY User Guide](#)
Provides more information about how to reconfigure the transceiver for Intel Arria 10 devices.



- [Intel Cyclone 10 GX Transceiver PHY User Guide](#)
Provides more information about how to reconfigure the transceiver for Intel Cyclone 10 GX devices.
- [Intel Stratix 10 L- and H-tile Transceiver PHY User Guide](#)
Provides more information about how to reconfigure the transceiver for Intel Stratix 10 L-tile and H-tile devices.

5.7.6. Transceiver Analog Reconfiguration Interface

The `tx_analog_reconfig` interface uses the `tx_vod` and `tx_emp` transceiver management control ports. You must map these ports for the device you are using. To change these values, the core drives `tx_analog_reconfig_req` high. Then, the user logic sets `tx_analog_reconfig_ack` high to acknowledge and drives `tx_analog_reconfig_busy` high during reconfiguration. When reconfiguration completes, the user logic drives `tx_analog_reconfig_busy` low.

5.7.7. Secondary Stream Interface

You can transmit the secondary stream data over the DisplayPort main link through the secondary stream (`txN_ss`) interface. This interface uses handshaking and back pressure to control packet delivery.

Note: The DisplayPort Intel FPGA IP supports InfoFrame SDP versions 1.2 and 1.3 over the Main-Link. Use InfoFrame SDP version 1.2 to convey Audio InfoFrame control information, as specified in *CEA-861-F* and *CEA-861.2*. Other InfoFrame coding types, as specified in *CEA-861-F, Table 5*, and *CEA-861.3*, shall use InfoFrame SDP version 1.3. Refer to the *DisplayPort Specification Section 2.2.5.1* for detailed definition.



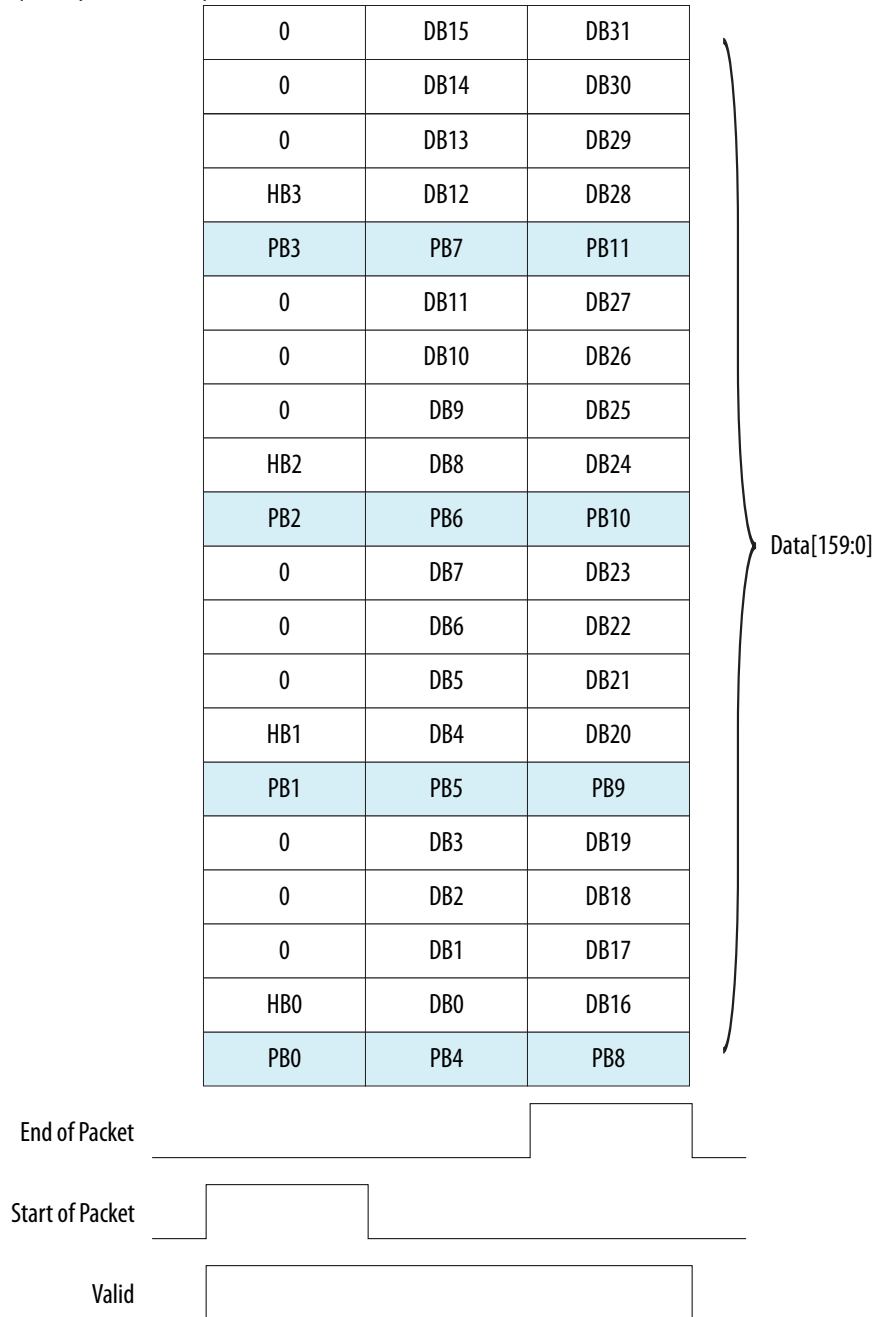
Figure 18. Secondary Stream Input Data Format

15-Nibble Code Word for Packet Payload	15-Nibble Code Word for Packet Header
0	0
0	0
0	0
0	0
0	0
nb0	0
nb1	0
nb2	0
nb3	0
nb4	0
nb5	0
nb6	nb0
nb7	nb1
p0	p0
p1	p1



Figure 19. Typical Secondary Stream Packet

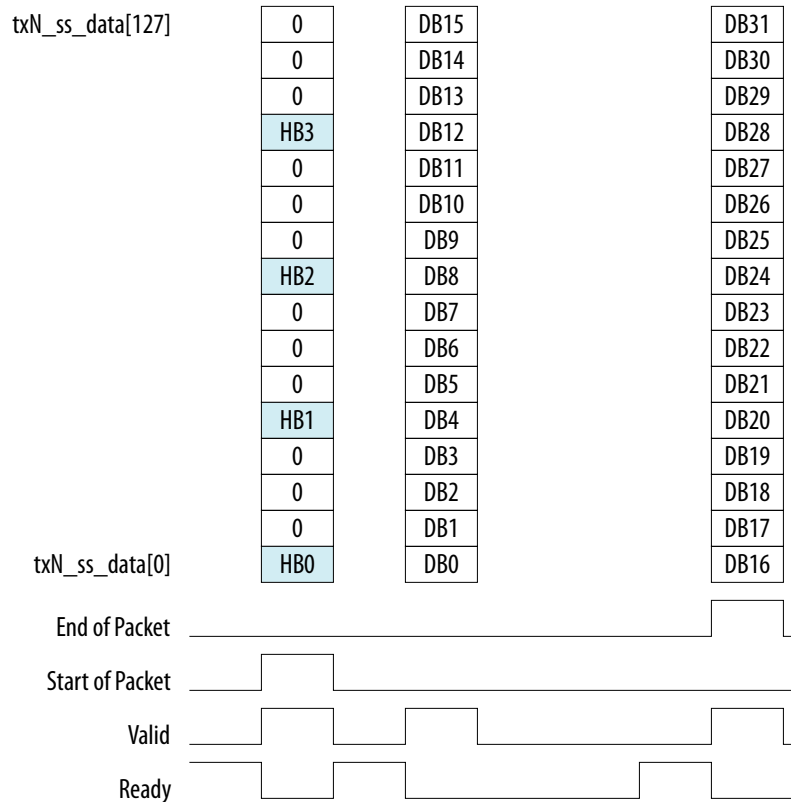
This figure shows a typical secondary stream packet with a four-byte header (HB0, HB1, HB2 and HB3) and a 32-byte payload (DB0 ... DB31).



The core calculates the associated parity bytes. The secondary stream interface uses the start-of-packet (SOP) and end-of-packet (EOP) to determine if the current input is a header or payload.

The ready latency is 1 clock cycle for the payload sub-packets. When core is ready, it sends the header forward. When the header is forwarded, the 16-byte payload (DB0 ... DB15 and DB16 ... DB31) must be available and the core must assert its associated valid signal on the next clock cycle when the output ready signal is high. The valid signal must remain low until the ready signal is high.

Figure 20. Typical Secondary Stream Packet Flow



The core supports only 16-byte and 32-byte payloads. Payloads that contain only the first 16 data bytes can assert the EOP on the second valid pulse to terminate the packet sequence. The core clocks in the data to the secondary stream interface through `tx_ss_clk`. `tx_ss_clk` is at the same phase and frequency as the main link lane 0 clock.

You can also use the secondary stream data packet to transport HDR metadata. CTA-861-G specification defines the HDR InfoFrame packet information as Packet Type, Version, data packets, and so on. The HDR metadata must follow InfoFrame SDP version 1.3 format defined in the *VESA DisplayPort Standard version 1.4a*.

For example, if the CTA-861-G specification-defined HDR InfoFrame type is 0x07, the *VESA DisplayPort Standard version 1.4a*-defined SDP InfoFrame Header Byte 1 as secondary-data packet type is 80h + Non-audio InfoFrame type value. The Header Byte 1 (HB1 in Figure 20 on page 74) must be written to 87h.



5.7.8. Audio Interface

The audio encoder is upstream of the secondary stream encoder. It generates the Audio InfoFrame, Audio Timestamp, and Audio Sample packets from the incoming audio sample data stream. Then, it sends the three packet types to the secondary stream encoder before they are transmitted to the downstream sink device.

You can configure the audio port for the number of audio channels required in the design. You can use 2 or 8 channels. Each channel's audio data is sent to the txN_audio_lpcm_data port.

- Channel 1 audio data should be present at txN_audio_lpcm_data[31:0]
- Channel 2 audio data should be present at txN_audio_lpcm_data[63:32] and so on.

The IP requires a txN_audio_valid signal for designs in which the txN_audio_clk signal is higher than the actual sample clock. The txN_audio_valid signal qualifies the audio data on the txN_audio_lpcm_data input. If txN_audio_clk is the actual sample clock, you can tie the txN_audio_valid signal to 1.

The figure and table below illustrate the audio sample data bits and bit field definitions, respectively.

Figure 21. Audio Sample Data Bits

The packing format complies to both IEC-60958-1 and IEC-60958-3 standards.

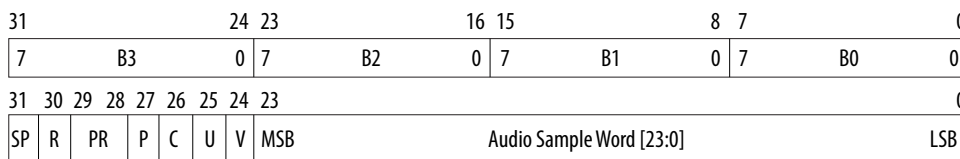


Table 32. Audio Sample Bit Field Definitions

Bit Name	Bit Position	Description
Audio sample word	Byte 2, bits 7:0 Byte 1, bits 7:0 Byte 0, bits 7:0	Audio data. The data content depends on the audio coding type. For LPCM audio, the audio most significant bit (MSB) is placed in byte 2, bit 7. If the audio data size is less than 24 bits, unused least significant bits (LSB) must be zero padded.
V	Byte 3, bit 0	Validity flag.
U	Byte 3, bit 1	User bit.
C	Byte 3, bit 2	Channel status.
P	Byte 3, bit 3	Parity bit.
PR	Byte 3, bits 4 - 5	Preamble code and its correspondence with IEC-60958 preamble: 00: Subframe 1 and start of the audio block (11101000 preamble) 01: Subframe1 (1110010 preamble) 10: Subframe 2 (1110100 preamble)
R	Byte3, bit 6	Reserved bit; must be 0.
SP	Byte 3, bit 7	Sample present bit: 1: Sample information is present and can be processed. 0: Sample information is not present.

continued...

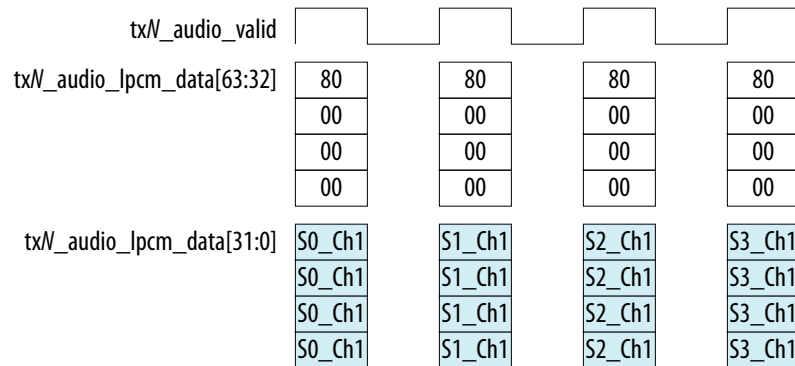
Bit Name	Bit Position	Description
		<p>All one-sample channels, used or unused, must have the same sample present bit value.</p> <p>This bit is useful for situations in which 2-channel audio is transported over a 4-lane main link. In this operation, main link lanes 2 and 3 may or may not have the audio sample data. This bit indicates whether the audio sample is present or not.</p>

When you configure the DisplayPort Intel FPGA IP for 2 or 8 channels, you can transmit any number of audio channels fewer than or equal to the number of channels you selected.

To transmit 1 channel of audio over the IP configured at 2 audio channels:

- You must configure the source audio register's CH_COUNT bits to 000b using the embedded controller.
- You also need to set the SP bit to 1 and the other bits to 0 on the txN_audio_lpcm_data[63:32] signal. The IP performs 2-channel layout mapping for 1 and 2 audio channels, which requires the SP bit to be the same for all one-sample channels.

Figure 22. Typical 1-Channel Audio Flow Over 2-Channel Audio TX Core

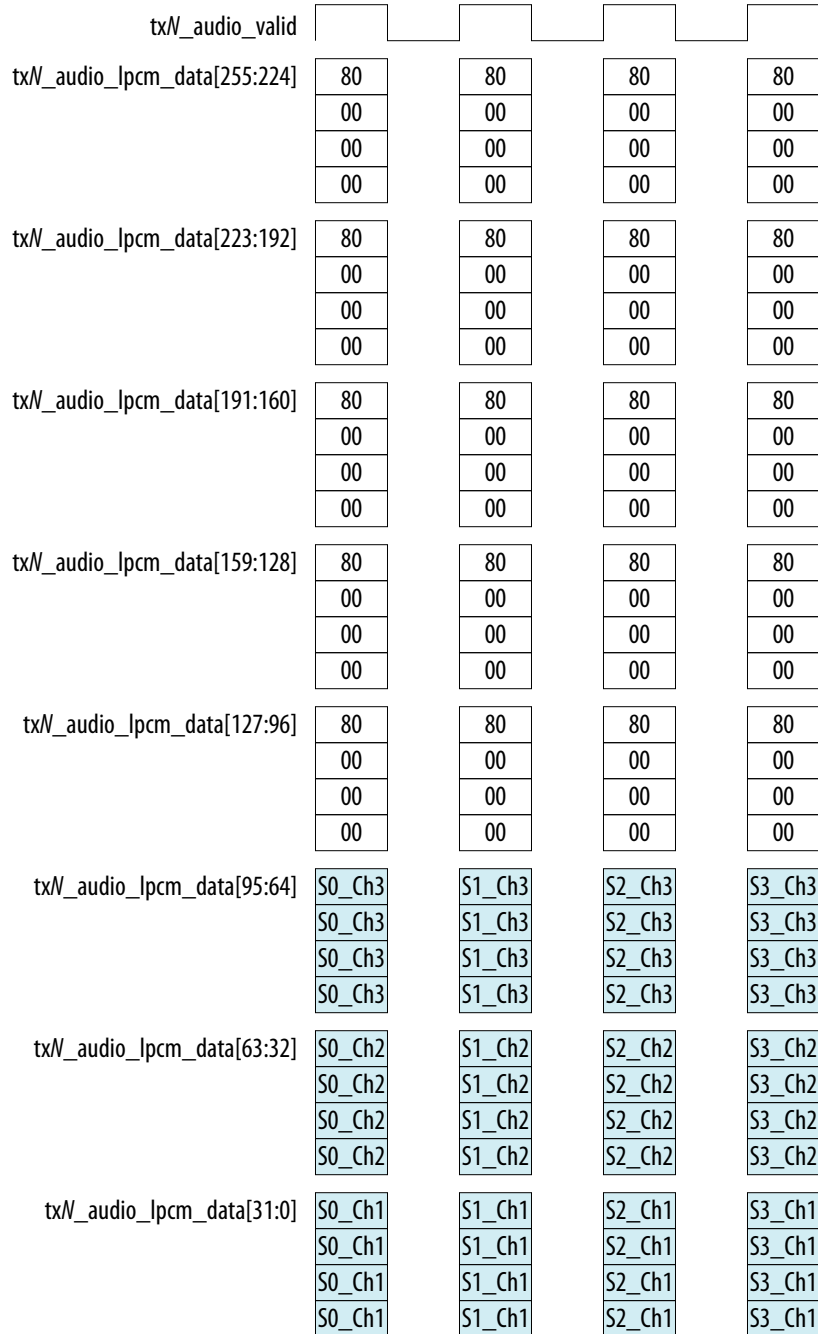


To transmit 3-8 channels of audio, the IP performs 8-channel layout mapping. For example, to transmit 3 audio channels over the IP configured at 8 audio channels:

- You must configure the source audio register's CH_COUNT bits to 010b using the embedded controller.
- You also need to provide the data as shown in the figure below.



Figure 23. Typical 3-Channel Audio Flow Over 8-Channel Audio TX Core



The DisplayPort Intel FPGA IP internally calculates the Maud based on a fixed (8000h) to generate the Audio Timestamp packet. The IP generates the Audio InfoFrame packet based on the information from the DisplayPort source audio registers: LFEBPL, CA, LSV, and DM_INH. The IP continues transmitting the Audio Timestamp, Audio InfoFrame, and Audio Sample packets even when the main video stream is no longer



transmitting. When there is no video stream, the IP transmits an Audio Sample packet after each BS symbol, and transmits an Audio Timestamp and Audio InfoFrame once after every 512th BS symbol set.

The source automatically generates the Audio InfoFrame and fills it with only information about the number of channels used.

Use the audio channel status to provide any information about the audio stream needed by downstream devices.

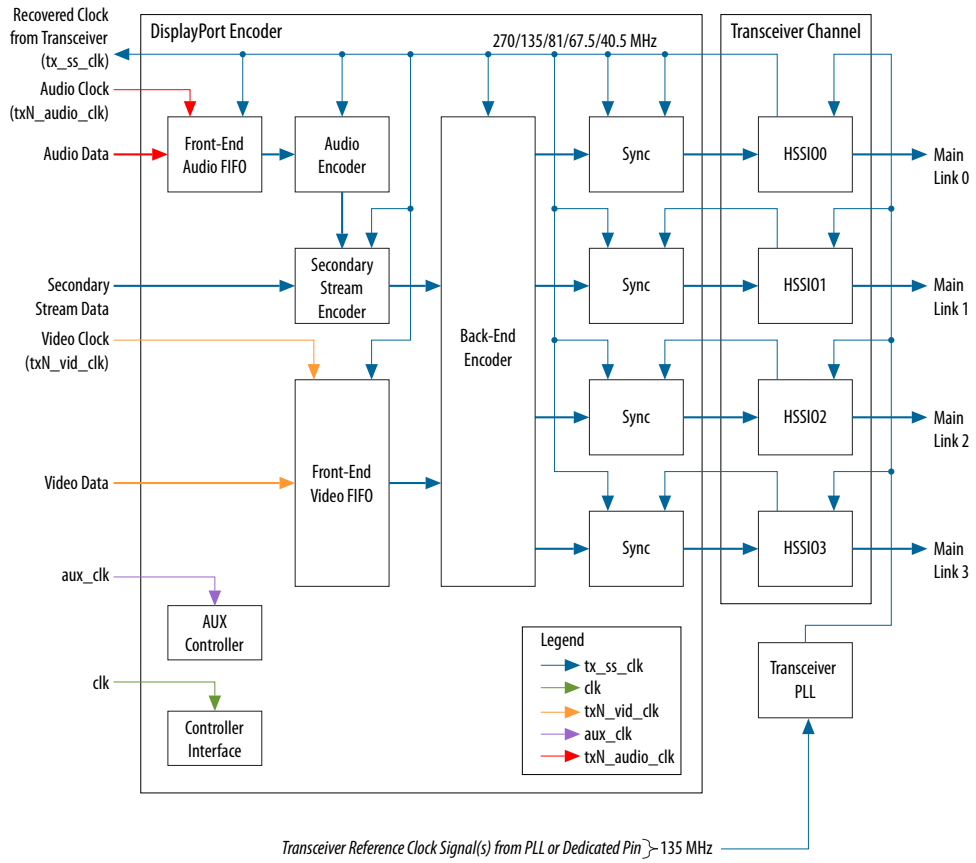
5.8. Source Clock Tree

The source uses the following clocks:

- Local pixel clock (`txN_vid_clk`), which clocks video data into the IP.
- Main link clock (`tx_ss_clk`), which clocks data out of the IP and into the high-speed serial output (HSSI) components. The main link clock is the output of the CMU PLL clock. You can supply the CMU PLL with the single reference clock (135 MHz). You can use other frequencies by changing the CMU PLL divider ratios and/or reconfiguring the transceiver. The 20- or 40- bit data fed to the HSSI is synchronized to a single HSSI[0] clock. If you select the dual symbol mode, this clock is equal to the link rate divided by 20 (270, 135, or 81 MHz). If you select the quad symbol mode, this clock is equal to the link rate divided by 40 (202.5, 135, 67.5, or 40.5 MHz). The core supports only asynchronous local pixel clock and main link clock.
- 16 MHz clock (`aux_clk`), which the IP requires to encode or decode the AUX channel.
- A separate clock (`clk`) clocks the Avalon-MM interface.
- `txN_audio_clk` for the audio interface.



Figure 24. Source Clock Tree





6. DisplayPort Sink

The DisplayPort sink consists of a DisplayPort decoder block, a transceiver management block, a controller interface block, and an HDCP interface block with an Avalon memory-mapped interface for connecting with an embedded controller such as the Nios II processor.



Figure 25. DisplayPort Sink Top-Level Block Diagram

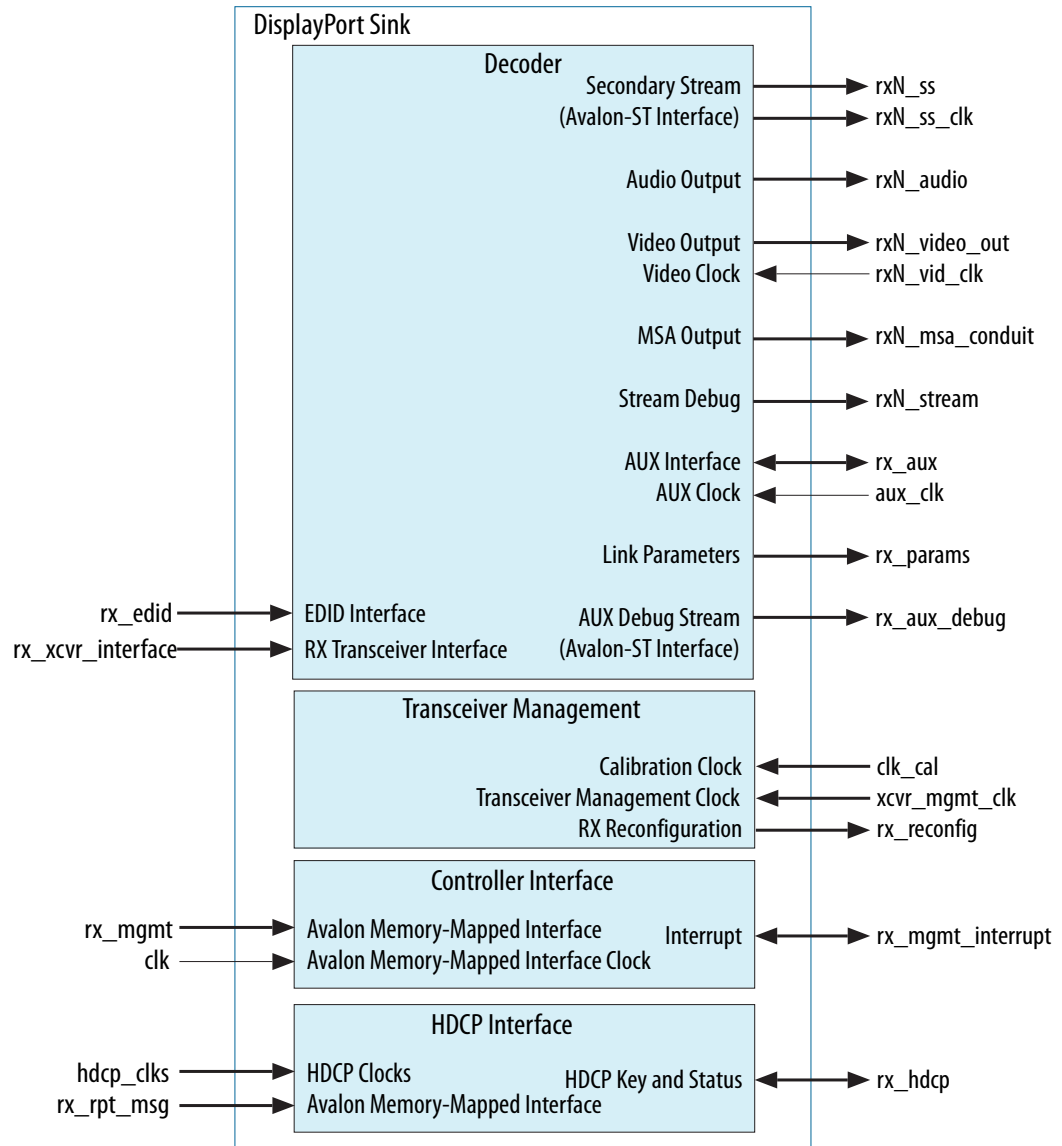
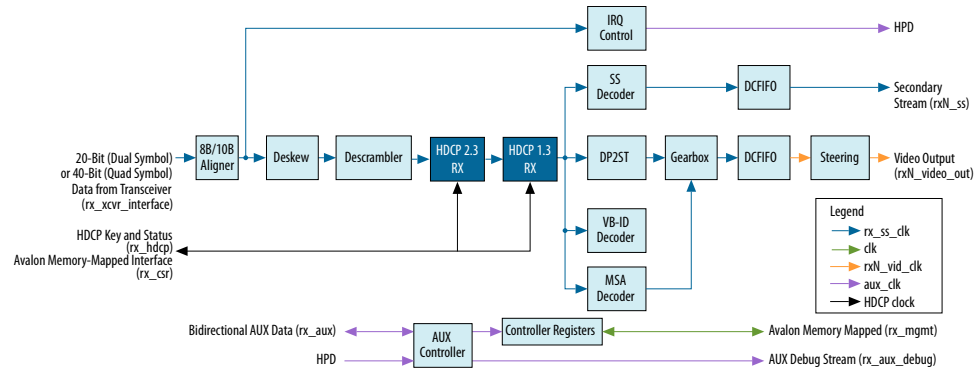


Figure 26. DisplayPort Sink Functional Block Diagram



The device transceiver sends 20-bit (dual symbol) or 40-bit (quad symbol) parallel DisplayPort data to the sink. Each data lane is clocked in to the IP by its own respective clock output from the transceiver. Inside the sink, the four independent clock domains are synchronized to the lane 0 clock. Then, the IP performs the following actions:

1. The IP aligns the data stream and performs 8B/10B decoding.
2. The IP deskews the data and then descrambles it.
3. The IP splits the unscrambled data stream into parallel paths.
 - a. The SS decoder block performs secondary stream decoding, which the core transfers into the `rx_ss_clk` domain through a DCFIFO.
 - b. The main data path extracts all pixel data from the incoming stream. Then, the gearbox block resamples the pixel data into the current bit-per-pixel data width. Next, the IP core crosses the pixel data into the `rxN_vid_clk` domain through a DCFIFO. Finally, the IP steers the data into a single, dual, or quad pixel data stream.
 - c. MSA decode path.
 - d. Video decode path.

You configure the sink to output the video data as a proprietary data stream. You specify the output pixel data width at 6, 8, 10, 12, or 16 bpc. This format can interface with downstream Video and Image Processing (VIP) Suite components.

The AUX controller can operate in an autonomous mode in which the sink controls all AUX channel activity without an external embedded controller. The IP outputs an AUX debugging stream so that you can inspect the activity on the AUX channel in real time.

6.1. Sink Embedded DisplayPort (eDP) Support

The DisplayPort Intel FPGA IP is compliant with eDP version 1.3. eDP is based on the *VESA DisplayPort Standard*. It has the same electrical interface and can share the same video port on the controller. The DisplayPort sink supports:

- Full (normal) link training—default
- Fast link training—mandatory eDP feature
- Black video—mandatory eDP feature



6.2. Sink Non-GPU Mode Support

The Intel FPGA DisplayPort sink supports non-GPU mode, which allows the IP to run on hardware without software API control.

The DisplayPort sink capability registers are implemented in the IP and support limited features.

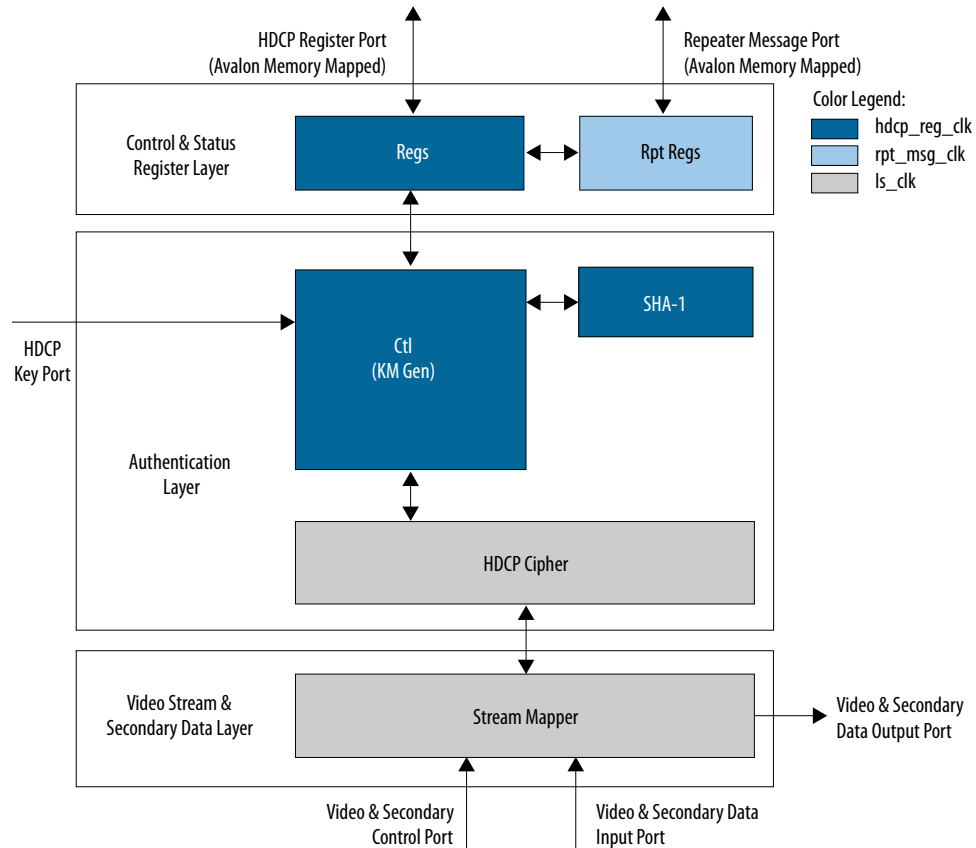
Table 33. DisplayPort Sink Capability Registers

DPCD Offset	DPCD Register	Default Value	Description
0000h	DPCD_REV	12h	DPCD revision 1.2
0001h	MAX_LINK_RATE	Configurable through parameter editor	
0002h	MAX_LANE_COUNT	Configurable through parameter editor	
	POST_LT_ADJ_REQ_SUPPORTED	0b	Not supported
	TPS3_SUPPORTED	1b	Supported
	ENHANCED_FRAME_CAP	0b	Not supported
0003h	MAX_DOWNSPREAD	1b	Down-spread up to 0.5%
	NO_AUX_TRANSACTION_LINK_TRAINING	1b	Supported
	TPS4_SUPPORTED	1b	Supported
0005h	DOWN_STREAM_PORT_PRESENT	00h	Not supported
0006h	MAIN_LINK_CHANNEL_CODING	01h	8B/10B
0007h	MSA_TIMING_PAR_IGNORED	0b	Not supported
	OUI Support	1b	Supported
000Eh	TRAINING_AUX_RD_INTERVAL	00h	<ul style="list-style-type: none"> 100 us for CR phase 4 ms for Channel EQ phase
	EXTENDED_RECEIVER_CAPABILITY_FIELDPRESENT	1b	Supported

6.3. HDCP 1.3 RX Architecture

The HDCP 1.3 receiver block decrypts the protected video and secondary data, including main stream attributes (MSA), from the connected HDCP 1.3 device. The HDCP 1.3 receiver block has identical structure layers as the HDCP 1.3 transmitter block.

Figure 27. Architecture Block Diagram of HDCP 1.3 RX IP



The HDCP 1.3 RX core is fully autonomous. For DisplayPort application, the HDCP transmitter and the HDCP receiver communicates the HDCP register values over the AUX channel. Turn on the **Enable GPU control** parameter and use a Nios II processor to drive the HDCP 1.3 RX core through the HDCP Register Port (Avalon memory-mapped interface). The HDCP Register Port is not exposed and will be automatically driven when you enable the **Support HDCP 1.3** parameter.

The HDCP specifications requires the HDCP 1.3 RX core to be programmed with the DCP-issued production key – Device Private Keys (Bkeys) and Key Selection Vector (Bksv). The IP retrieves the key from the on-chip memory externally to the core through the HDCP Key Port (`rx_hdcp` interface). The on-chip memory must store the key data in the arrangement shown in the table below.

Table 34. HDCP 1.3 RX Key Port Addressing

Address	Content
6'h28	{16'd0, Bksv[39:0]}
6'h27	Bkeys39[55:0]
6'h26	Bkeys38[55:0]
<i>continued...</i>	



Address	Content
...	...
6'h01	Bkeys01[55:0]
6'h00	Bkeys00[55:0]

The Video Stream and Secondary Data Layer receives audio and video content over its Video and Secondary Data Input Port, and performs the decryption operation. The Video Stream and Secondary Data Layer detects the Encryption Status Signaling (ESS) provided by the DisplayPort IP to determine when to decrypt frames.

To implement the HDCP 1.3 RX core as a repeater upstream interface, the IP must propagate certain information such as KSV list and *Bstatus* to the upstream transmitter and to be used for SHA-1 hash digest. The repeater downstream interface (TX) must provide this information through the Repeater Message Port (*rx_rpt_msg* interface) using the Avalon memory-mapped interface. You can use the same clock source to drive the clocking for the HDCP Register Port (or the controller interface of the DisplayPort Intel FPGA IP) and Repeater Message Port.

The mapping for the RX registers defined in the following table is equivalent to the address space for HDCP 1.3 receiver defined in the HDCP specification.

Table 35. HDCP 1.3 RX Register Mapping

Address	Register	R/W	Reset	Bit	Bit Name	Description
0x00	BKSV0	RO	-	7:0	-	Bit [7:0] of HDCP Receiver KSV.
0x01	BKSV1			7:0		Bit [15:8] of HDCP Receiver KSV.
0x02	BKSV2			7:0		Bit [23:16] of HDCP Receiver KSV.
0x03	BKSV3			7:0		Bit [31:24] of HDCP Receiver KSV.
0x04	BKSV4			7:0		Bit [39:32] of HDCP Receiver KSV.
0x05	RO_PRIME0	RO	0x00	7:0	-	Authentication response. Bit [7:0] of RO'.
0x06	RO_PRIME1			7:0	-	Authentication response. Bit [15:8] of RO'.
0x07	AKSV0	WO	0x00	7:0	-	Bit [7:0] of HDCP Transmitter KSV.
0x08	AKSV1			7:0		Bit [15:8] of HDCP Transmitter KSV.
0x09	AKSV2			7:0		Bit [23:16] of HDCP Transmitter KSV.
0x0A	AKSV3			7:0		Bit [31:24] of HDCP Transmitter KSV.
0x0B	AKSV4			7:0		Bit [39:32] of HDCP Transmitter KSV.
0x0C	AN0	WO	0x00	7:0	-	Bit [7:0] of HDCP Session Random Number An.

continued...



Address	Register	R/W	Reset	Bit	Bit Name	Description
0x0D	AN1			7:0		Bit [15:8] of HDCP Session Random Number An.
0x0E	AN2			7:0		Bit [23:16] of HDCP Session Random Number An.
0x0F	AN3			7:0		Bit [31:24] of HDCP Session Random Number An.
0x10	AN4			7:0		Bit [39:32] of HDCP Session Random Number An.
0x11	AN5			7:0		Bit [47:40] of HDCP Session Random Number An.
0x12	AN6			7:0		Bit [55:48] of HDCP Session Random Number An.
0x13	AN7			7:0		Bit [63:56] of HDCP Session Random Number An.
0x14	V_PRIME_H0_0	RO	0x00	7:0	-	H0 part of SHA-1 hash value used in the authentication protocol HDCP repeaters. Bit [7:0] of H0 value.
0x15	V_PRIME_H0_1			7:0		Bit [15:8] of H0 value.
0x16	V_PRIME_H0_2			7:0		Bit [23:16] of H0 value.
0x17	V_PRIME_H0_3			7:0		Bit [31:24] of H0 value.
0x18	V_PRIME_H1_0	RO	0x00	7:0	-	H1 part of SHA-1 hash value used in the authentication protocol HDCP repeaters. Bit [7:0] of H1 value.
0x19	V_PRIME_H1_1			7:0		Bit [15:8] of H1 value.
0x1A	V_PRIME_H1_2			7:0		Bit [23:16] of H1 value.
0x1B	V_PRIME_H1_3			7:0		Bit [31:24] of H1 value.
0x1C	V_PRIME_H2_0	RO	0x00	7:0	-	H2 part of SHA-1 hash value used in the authentication protocol HDCP repeaters. Bit [7:0] of H2 value.
0x1D	V_PRIME_H2_1			7:0		Bit [15:8] of H2 value.
0x1E	V_PRIME_H2_2			7:0		Bit [23:16] of H2 value.
0x1F	V_PRIME_H2_3			7:0		Bit [31:24] of H2 value.
0x20	V_PRIME_H3_0	RO	0x00	7:0	-	H3 part of SHA-1 hash value used in the authentication protocol HDCP repeaters. Bit [7:0] of H3 value.
0x21	V_PRIME_H3_1			7:0		Bit [15:8] of H3 value.
0x22	V_PRIME_H3_2			7:0		Bit [23:16] of H3 value.
0x23	V_PRIME_H3_3			7:0		Bit [31:24] of H3 value.
0x24	V_PRIME_H4_0	RO	0x00	7:0	-	H4 part of SHA-1 hash value used in the authentication protocol HDCP repeaters. Bit [7:0] of H4 value.

continued...



Address	Register	R/W	Reset	Bit	Bit Name	Description
0x25	V_PRIME_H4_1			7:0		Bit [15:8] of H4 value.
0x26	V_PRIME_H4_2			7:0		Bit [23:16] of H4 value.
0x27	V_PRIME_H4_3			7:0		Bit [31:24] of H4 value.
0x28	BCAPS	RO	0x000	7:2	Reserved	These bits read as 0.
				1	REPEATER	HDCP repeater capability. 0 = Receiver is not a repeater. 1 = Receiver is a repeater.
				0	HDCP_CAPABLE	This bit reads as 1.
0x29	BSTATUS	RO	0x00	7:4	Reserved	These bits read as 0.
				3	REAUTHENTICATION_REQUEST	Refer to HDCP on DisplayPort specification version 1.3 for more information.
				2	LINK_INTEGRITY_FAILURE	
				1	RO_AVAILABLE	
				0	READY	
0x2A	BINFO0	RO	0x00	7	MAX_DEVS_EXCEEDED	Topology error indicator. When set to 1, more than 127 downstream devices are attached.
				6:0	DEVICE_COUNT	Total number of attached downstream devices. Always zero for HDCP receivers. This count does not include the HDCP repeater itself, but only the downstream devices from the HDCP repeater.
0x2B	BINFO1	RO	0x00	7:4	Reserved	These bits read as 0.
				3	MAX_CASCADE_EXCEEDED	Topology error indicator. When set to 1, more than 7 levels of video repeater are cascaded together.
				2:0	DEPTH	3-bit repeater cascade depth. This value gives the number of attached levels throughout the connection topology.
0x2C	KSV_FIFO	RO	0x00	7:0	-	Key selection vector FIFO. Used to pull downstream KSVs from HDCP repeaters using auto-incrementing address. All bytes read as 0x00 for HDCP receivers that are not HDCP repeaters (REPEATER=0).
0x3E	CTRL	WO	0x00	31	Reserved	Reserved.
				30	CP_IRQ_DET	Set to 1 to reset the CP_IRQ_STATUS flag in the STATUS register.

continued...



Address	Register	R/W	Reset	Bit	Bit Name	Description
				29	KSV_FIFO_OFFSET_RST	Set to 1 to reset the offset of the KSV_FIFO register.
				28	EXIT_AUTH	Exit authenticated state.
				27:0	Reserved	Reserved.
0x3F	STATUS	RO	0x00	31:20	Reserved	Reserved.
				19	AUTHENTICATED	0: HDCP 1.3x event is in authenticated state. 1: HDCP 1.3x event is in unauthenticated state.
				18	CP_IRQ_STATUS	0: No HDCP 1.3 event. 1: An HDCP 1.3 event occurred and HPD interrupts were generated.
				17:0	Reserved	Reserved.

Table 36. HDCP 1.3 RX Repeater Register Mapping

Address	Register	R/W	Reset	Bit	Bit Name	Description
0x00	RPT_KSV_LIST	WO	0x00000000	31:8	Reserved	Reserved
				7:0	KSV_LIST	Byte write KSV List in big endian order.
0x01	RPT_BSTATUS	RW	0x00000000	31:19	Reserved	Reserved
				18	REQUEST	Read-only. Asserted by the core to request for KSV_LIST and BSTATUS. This usually happens when re-authentication is triggered by the connected upstream. Note that when REQUEST is asserted, the READY should also be asserted.
				17	READY	Read-only. Asserted by the core to indicate KSV_LIST and BSTATUS are processed. Write KSV_LIST and BSTATUS after this bit is asserted.
				16	VALID	Set to 1 after KSV_LIST and BSTATUS are written. Self-cleared by the core after KSV_LIST and BSTATUS are read.
				15:0	BSTATUS	[15:12]: Reserved. [11]: MAX_CASCADE_EXCEEDED [10:8]: DEPTH [7]: MAX_DEVS_EXCEEDED [6:0]: DEVICE_COUNT
0x02	RPT_MISC	RW	-	31:1	Reserved	Reserved.
				0	REPEATER	Set to 0 if no downstream is connected or if the connected downstream is not HDCP 1.3-

continued...

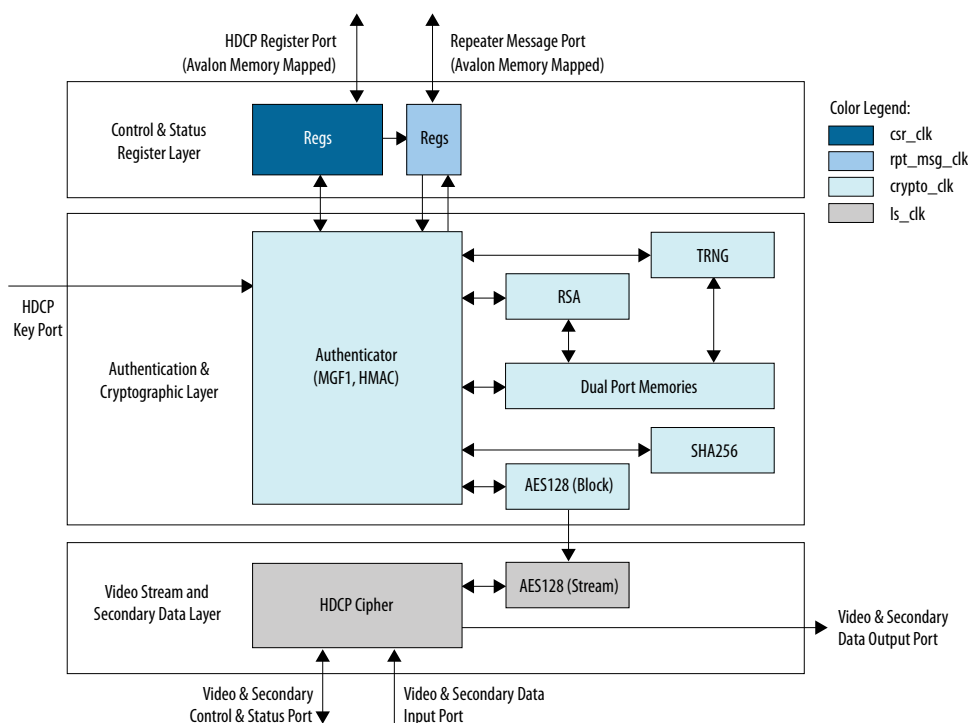


Address	Register	R/W	Reset	Bit	Bit Name	Description
						capable. This means the receiver IP is an end-point receiver rather than a repeater. Set to 1 if the connected downstream is HDCP-capable.

6.4. HDCP 2.3 RX Architecture

The receiver block decrypts the protected video and secondary data, including main stream attributes (MSA), from the connected HDCP 2.3 device. The HDCP 2.3 receiver block has identical structure layers as the HDCP 2.3 transmitter block.

Figure 28. Architecture Block Diagram of HDCP 2.3 RX IP



The HDCP 2.3 RX core is fully autonomous. For DisplayPort application, the HDCP transmitter and the HDCP receiver communicates the HDCP register values over the AUX channel. Turn on the **Enable GPU control** parameter and use a Nios II processor to drive the HDCP 2.3 RX core through the HDCP Register Port (Avalon memory-mapped interface). The HDCP Register Port is not exposed and will be automatically driven when you enable the **Support HDCP 2.3** parameter.

The HDCP specifications requires the HDCP 2.3 RX core to be programmed with the DCP-issued production key – Global Constant (lc128), RSA private key (kprivrx) and RSA Public Key Certificate (certrx). The IP retrieves the key from the on-chip memory externally to the core through the HDCP Key Port (rx_hdcp interface). The on-chip memory must store the key data in the arrangement shown in the table below.

Table 37. HDCP 2.3 RX Key Port Addressing

Address	Content
8'hE3	lc128[127:96]
8'hE2	lc128[95:64]
8'hE1	lc128[63:32]
8'hE0	lc128[31:0]
8'hDF	kprivrx_p[511:480]
...	...
8'hD0	kprivrx_p[31:0]
8'hCF	kprivrx_q[511:480]
...	...
8'hC0	kprivrx_q[31:0]
8'hBF	kprivrx_dp[511:480]
...	...
8'hB0	kprivrx_dp[31:0]
8'hAF	kprivrx_dq[511:480]
...	...
8'hA0	kprivrx_dq[31:0]
8'h9F	kprivrx_qinv[511:480]
...	...
8'h90	kprivrx_qinv[31:0]
8'h83–8'h8F	Reserved
8'h82	{16'd0, certrx[4175:4160]}
8'h81	certrx[4159:4128]
...	...
8'h01	certrx[63:32]
8'h00	certrx[31:0]

The Video Stream and Secondary Data Layer receives audio and video content over its Video and Secondary Data Input Port, and performs the decryption operation. The Video Stream and Secondary Data Layer detects the Encryption Status Signaling (ESS) provided by the DisplayPort IP to determine when to decrypt frames.

To implement the HDCP 2.3 RX core as a repeater upstream interface, the IP must propagate certain information such as `ReceiverID List` and `RxInfo` to the upstream transmitter and to be used for HMAC computation. The repeater downstream interface (TX) must provide this information using the Repeater Message Port (`rx_rpt_msg` interface) using the Avalon memory-mapped interface. You can use the same clock source to drive the clocking for the HDCP Register Port (or the controller interface of the DisplayPort Intel FPGA IP) and Repeater Message Port.

The mapping for the RX registers and RX Repeater registers are defined in the following tables.

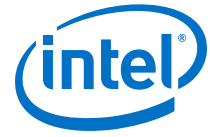


Table 38. HDCP 2.3 RX Register Mapping

Address	Register	R/W	Reset	Bit	Bit Name	Description
0x40	CTRL	RW	0x0000000	31	Reserved	Reserved.
				30	CP_IRQ_DET	Write-only. Set to 1 to reset the CP_IRQ_STATUS flag in the RXSTATUS register.
				29	STOP_DET	Write-only. Set to 1 to indicate the end of HDCP messages.
				28:1	Reserved	Reserved.
				0	TYPE	0: Type 0 content stream. 1: Type 1 content stream.
0x41	RXSTATUS	RO	0x0000000	31:19	Reserved	Reserved.
				18	CP_IRQ_STATUS	0: No HDCP 2.3 event. 1: An HDCP 2.3 event occurred and HPD interrupts were generated.
				17:5	Reserved	Reserved.
				4	LINK_INTEGRITY_FAILURE	RxStatus[4:0]. Refer to the <i>HDCP on DisplayPort Specification</i> version 2.3 for more information.
				3	REAUTH_IRQ	
				2	PAIRING_AVAILABLE	
				1	HPRIME_AVAILABLE	
0	READY					
0x42	MESSAGES	RW	0x0000000	31:8	Reserved	Reserved.
				7:0	MESSAGES	Write or read messages (in bytes) to or from the IP in burst mode.
0x43	RXCAPS	RO	0x0002000	31:24	Reserved	Reserved.
				23:16	VERSION	Default value is 0x02.
				15:2	RECEIVER_CAPABILITY_MASK	Reserved. Read as 0.
				1	HDCP_CAPABLE	Default value is 0x01. Indicates that the RX is HDCP 2.3 capable.
				0	REPEATER	0: Indicates that the RX is an endpoint receiver. 1: Indicates that the RX is a repeater that supports downstream connections.

Table 39. HDCP 2.3 RX Repeater Register Mapping

Address	Register	R/W	Reset	Bit	Bit Name	Description
0x00	RPT_RCVDID_LIST	WO	0x00000000	31:8	Reserved	Reserved
				7:0	RCVDID_LIST	Byte write ReceiverID_List in big endian order.
0x01	RPT_RXINFO	RW	0x00000000	31:19	Reserved	Reserved
				18	REQUEST	Read-only. Asserted by the core to request for RCVDID_LIST and RXINFO. This usually happens when re-authentication is triggered by the connected upstream. Note that when REQUEST is asserted, the READY should also be asserted.
				17	READY	Read-only. Asserted by the core to indicate RCVDID_LIST and RXINFO are processed. Write RCVDID_LIST and RXINFO after this bit is asserted.
				16	VALID	Set to 1 after RCVDID_LIST and RXINFO are written. Self-cleared by the core after RCVDID_LIST and RXINFO are read.
				15:0	RXINFO	[15:12]: Reserved. [11:9]: DEPTH [8:4]: DEVICE_COUNT [3]: MAX_DEVS_EXCEEDED [2]: MAX_CASCADE_EXCEEDED [1]: HDCP2_REPEATER_DOWNSTREAM [0]: HDCP1_DEVICE_DOWNSTREAM
0x02	RPT_TYPE	RO	0x00000000	31:9	Reserved	Reserved
				8	VALID	Asserted by the core to indicate content stream TYPE is valid. Self-cleared by the core after TYPE is read.
				7:0	TYPE	0x00: Type 0 Content Stream 0x01: Type 1 Content Stream 0x02-0xFF: Reserved. Treated as Type 1 Content Stream.
0x03	RPT_MISC	RW	0x00000000	31:1	Reserved	Reserved.
				0	REPEATER	Set to 0 if no downstream is connected or if the connected downstream is not HDCP 2.3-capable. This means the receiver IP is an end-point receiver rather than a repeater. Set to 1 if the connected downstream is HDCP-capable.



6.5. Sink Interfaces

The following tables summarize the sink's interfaces. Your instantiation contains only the interfaces that you have enabled.

Table 40. Controller Interface

Interface	Port Type	Clock Domain	Port	Direction	Description
clk	Clock	N/A	clk	Input	Clock for embedded controller.
reset	Reset	clk	reset	Input	Active-high reset signal for embedded controller.
rx_mgmt	AV-MM	clk	rx_mgmt_address[8:0]	Input	32-bit word addressing address.
			rx_mgmt_chipselect	Input	Must be asserted for valid read or write access.
			rx_mgmt_read	Input	Must be asserted to indicate a read transfer.
			rx_mgmt_write	Input	Must be asserted to indicate a write transfer.
			rx_mgmt_writedata[31:0]	Input	Data for write transfers.
			rx_mgmt_readdata[31:0]	Output	Data for read transfers.
			rx_mgmt_waitrequest	Output	Asserted when the DisplayPort Intel FPGA IP is unable to respond to a read or write request. Forces the GPU to wait until the IP is ready to proceed with the transfer.
rx_mgmt_irq	IRQ	clk	rx_mgmt_irq	Output	The IP asserts this signal to issue an interrupt to the GPU.

Controller Interface on page 100

Table 41. Transceiver Management Interface

n is the number of RX lanes.

Interface	Port Type	Clock Domain	Port	Direction	Description
xcvr_mgmt_clk	Clock	N/A	xcvr_mgmt_clk	Input	Transceiver management clock.
clk_cal	Clock	N/A	clk_cal	Input	Calibration clock.
rx_reconfig	Conduit	xcvr_mgmt_clk	rx_link_rate[1:0]	Output	Transceiver link rate reconfiguration handshaking.
			rx_link_rate_8bits[7:0]	Output	
			rx_reconfig_req	Output	
			rx_reconfig_ack	Input	
			rx_reconfig_busy	Input	

continued...



Interface	Port Type	Clock Domain	Port	Direction	Description
rx_analog_reconfig	Conduit	xcvr_mgmt_clk	rx_vod [2n-1:0]	Output	Transceiver analog reconfiguration handshaking.
			rx_emp [2n-1:0]	Output	
			rx_analog_reconfig_req	Output	

Note: Value of rx_link_rate[1:0]: 0 = 1.62 Gbps, 1 = 2.70 Gbps, 2 = 5.40 Gbps, 3 = 8.10 Gbps; value of rx_link_rate_8bits[7:0]: 0x06 = 1.62 Gbps, 0x0a = 2.70 Gbps, 0x14 = 5.40Gbps, 0x1e = 8.10 Gbps

[Transceiver Reconfiguration Interface on page 106](#)

Table 42. Video Interface

v is the number of bits per color, p is the pixels per clock (1 = single, 2 = dual, and 4 = quad), and N is the stream number.

Interface	Port Type	Clock Domain	Port	Direction	Description
rxN_vid_clk	Clock	N/A	rxN_vid_clk	Input	Video clock.
rxN_video_out	Conduit	rx_vid_clk	rxN_vid_valid[p-1:0]	Output	Each bit is asserted when all other signals (except rxN_vid_overflow) on this port are valid and the corresponding pixel belongs to active video. Width configurable.
			rxN_vid_sol	Output	Start of video line.
			rxN_vid_eol	Output	End of video line.
			rxN_vid_sof	Output	Start of video frame.
			rxN_vid_eof	Output	End of video frame.
			rxN_vid_locked	Output	1 = Video locked 0 = Video unlocked
			rxN_vid_overflow	Output	1 = Video data overflow detected 0 = No overflow detected This signal is always valid.
			rxN_vid_interlace	Output	1 = Interlaced 0 = Progressive
			rxN_vid_field	Output	1 = Top field 0 = Bottom field (or progressive)
			rxN_vid_data[3v*p-1:0]	Output	Width configurable.

[Video Interface on page 102](#)



Table 43. AUX Interface

Interface	Port Type	Clock Domain	Port	Direction	Description
aux_clk	Clock	N/A	aux_clk	Input	AUX channel clock.
aux_reset	Reset	aux_clk	aux_reset	Input	Active-high AUX channel reset.
rx_aux	Conduit	aux_clk	rx_aux_in	Input	AUX channel data input.
			rx_aux_out	Output	AUX channel data output.
			rx_aux_oe	Output	Output buffer enable.
			rx_hpd	Output	Hot plug detect.
			rx_cable_detect	Input	Upstream cable detect.
			rx_pwr_detect	Input	Upstream power detect.
rx_aux_debug	AV-ST	aux_clk	rx_aux_debug_data[31:0]	Output	Formatted AUX channel debug data.
			rx_aux_debug_valid	Output	Asserted when all the other signals on this port are valid.
			rx_aux_debug_sop	Output	Start of packet (start of AUX request or reply).
			rx_aux_debug_eop	Output	End of packet (end of AUX request or reply).
			rx_aux_debug_err	Output	Indicates if the IP detects an error in the current byte.
			rx_aux_debug_cha	Output	The channel number for data being transferred on the current cycle. Used as AUX channel data direction. 1 = Reply (to DisplayPort source) 0 = Request (from DisplayPort source)
EDID (rx_edid)	AV-MM	aux_clk	rx_edid_address[7:0]	Output	8-bit byte addressing address.
			rx_edid_read	Output	Asserted to indicate a read transfer.
			rx_edid_write	Output	Asserted to indicate a write transfer.
			rx_edid_writedata[7:0]	Output	Data for write transfers.
			rx_edid_readdata[7:0]	Input	Data for read transfers.
			rx_edid_waitrequest	Input	Must be asserted when the Slave is unable to respond to a read or write request. Forces the DisplayPort Intel FPGA IP to wait until the Slave is ready to proceed with the transfer.

AUX Interface on page 100

Table 44. Debugging Interface

s is the number of symbols per clock and N is the stream number.

Interface	Signal Type	Clock Domain	Port	Direction	Description
Link Parameters (rx_params)	Conduit	aux_clk	rx_lane_count[4:0]	Output	Sink current link lane count value.
Debugging (rxN_stream)	Conduit	rx_ss_clk	rxN_stream_data[4*8*s-1:0]	Output	Post scrambler data.
			rxN_stream_ctrl[4*s-1:0]	Output	Post scrambler comma marker. The IP asserts each bit when the relative 8-bit byte is a comma code, and deasserts each bit when the byte is a data value. Bit 0 qualifies rxN_stream_data[7:0] byte, bit 1 qualifies the rxN_stream_data[15:8] byte, and so on.
			rxN_stream_valid	Output	Asserted for one clock cycle when rxN_stream_data[63:0] and rxN_stream_ctrl[7:0] are valid.
			rxN_stream_clk	Output	Port clock.

[Debugging Interface on page 101](#)

Table 45. Secondary Interface

N is the stream number; for example, rx_msa_conduit represents Stream 0, rx1_msa_conduit represents Stream 1, and so on .

Interface	Signal Type	Clock Domain	Port	Direction	Description
rx_ss_clk	Clock	N/A	rx_ss_clk	Output	Clock.
MSA (rxN_msa_conduit)	Conduit	rx_ss_clk	rxN_msa[216:0]	Output	Output for current MSA parameters received from the source.
Secondary Stream (rxN_ss)	AV-ST	rx_ss_clk	rxN_ss_data[159:0]	Output	Secondary stream interface.
			rxN_ss_valid	Output	
			rxN_ss_sop	Output	
			rxN_ss_eop	Output	

[Secondary Stream Interface on page 107](#)

Table 46. Audio Interface

m is the number of RX audio channels. N is the stream number; for example, rx_audio represents Stream 0, rx1_audio represents Stream 1, and so on .

Interface	Signal Type	Clock Domain	Port	Direction	Description
Audio	Conduit	rx_ss_clk	rxN_audio_lpcm_data[m*32-1:0]	Output	N channels of 32-bit audio sample data.
<i>continued...</i>					



Interface	Signal Type	Clock Domain	Port	Direction	Description
(rxN_audio)			rxN_audio_valid	Output	Asserted when valid data is available on rxN_audio_lpcm_data.
			rxN_audio_mute	Output	Asserted when audio is muted.
			rxN_audio_infoframe[39:0]	Output	40-bit bundle containing the Audio InfoFrame packet.

Audio Interface on page 109

Table 47. RX Transceiver Interface

n is the number of RX lanes, s is the number of symbols per clock.

Note: Connect the DisplayPort signals to the Native PHY signals of the same name.

Interface	Port Type	Clock Domain	Port	Direction	Description
RX transceiver interface	Clock	N/A	rx_std_clkout[n-1:0]	Input	RX transceiver recovered clock. Equivalent to Link Speed Clock (ls_clk).
	Conduit	rx_xcvr_clkout	rx_parallel_data[n*s*10-1:0]	Input	Parallel data from RX transceiver.
	Conduit	rx_xcvr_clkout	rx_restart	Output	Use to reset the RX PHY Reset Controller when the RX data loses alignment. <i>Note:</i> Required for Intel Arria 10, Intel Cyclone 10 GX, and Intel Stratix 10 devices. Not used in Arria V, Cyclone V, and Stratix V devices.
	Conduit	N/A	rx_is_lockedtoref[n-1:0]	Input	When asserted, indicates that the RX CDR PLL is locked to the reference clock.
	Conduit	N/A	rx_is_lockedtodata[n-1:0]	Input	When asserted, indicates that the RX CDR PLL is locked to the incoming data.
	Conduit	rx_xcvr_clkout	rx_bitslip[n-1:0]	Output	Use to control bit slipping manually.
	Conduit	N/A	rx_cal_busy[n-1:0]	Input	Calibration in progress signal from RX transceiver.
	Conduit	xcvr_mgmt_clk	rx_analogreset[n-1:0]	Output	When asserted, resets the RX CDR. <i>Note:</i> Required only for Arria V, Cyclone V, and Stratix V devices.
	Conduit	xcvr_mgmt_clk	rx_digitalreset[n-1:0]	Output	When asserted, resets the RX PCS.

continued...



Interface	Port Type	Clock Domain	Port	Direction	Description
					<i>Note:</i> Required only for Arria V, Cyclone V, and Stratix V devices.
	Conduit	xcvr_mgmt_clk	rx_set_locktoref[n-1:0]	Output	Forces the RX CDR circuitry to lock to the phase and frequency of the input reference clock.
	Conduit	xcvr_mgmt_clk	rx_set_locktodata[n-1:0]	Output	Forces the RX CDR circuitry to lock to the received data.

RX Transceiver Interface on page 105

Table 48. HDCP Interface

Applicable only when you turn on the **Support HDCP 2.3** or **Support HDCP 1.3** parameters.

Interface	Port Type	Clock Domain	Port	Direction	Description
HDCP Clocks (hdcp_clks)	Reset	-	hdcp_reset	Input	Main asynchronous reset for HDCP.
	Clock	-	crypto_clk	Input	HDCP 2.3 clock for authentication and cryptographic layer. You can use any clock with a frequency up to 200 MHz. Not applicable for HDCP 1.3. <i>Note:</i> The clock frequency determines the authentication latency.
		-	rpt_msg_clk	Input	HDCP clock for the Repeater registers in the Control and Status Register layer. Typically, shares the clock (100 MHz) that drives the repeater downstream Nios II processor.
Repeater Message Interface (rx_rpt_msg)	Avalon-MM	rpt_msg_clk	rx_rpt_msg_addr[7:0]	Input	The Avalon memory-mapped slave port that provides access to the Repeater registers, mainly for ReceiverID_List and RxInfo. This interface is expected to operate at repeater downstream Nios II processor clock domain. Because of the extremely large bit portion of message, the IP transfers the message in burst mode with full handshaking mechanism. Write transfers always
			rx_rpt_msg_wr	Input	
			rx_rpt_msg_rd	Input	
			rx_rpt_msg_wrdata[31:0]	Input	
			rx_rpt_msg_rddata[31:0]	Output	

continued...



Interface	Port Type	Clock Domain	Port	Direction	Description
					have a wait time of 0 cycle while read transfers have a wait time of 1 cycle. The addressing should be accessed as word addressing in the Platform Designer flow. For example, addressing of 4 in the Nios II software selects the address of 1 in the slave.
HDCP Key and Status Interface (rx_hdcp)	Conduit (Key)	crypto_clk	rx_kmem_wait[0] (HDCP 2.3) rx_kmem_addr[1] (HDCP 1.3)	Input	Always keep this signal asserted until the key is ready to be read.
			rx_kmem_rdaddr[7:0] (HDCP 2.3) rx_kmem_rdaddr[13:8] (HDCP 1.3)	Output	Key read address bus.
			rx_kmem_rddata[31:0] (HDCP 2.3) rx_kmem_rddata[87:32] (HDCP 1.3)	Input	Key read data transfer. Read transfer always have 1 cycle of wait time.
	Conduit	rx_std_clkout[0]	rx_hdcp1_enabled	Output	This signal is asserted by the IP if the incoming video and auxiliary data are HDCP 1.3 encrypted.
			rx_hdcp2_enabled	Output	This signal is asserted by the IP if the incoming video and auxiliary data are HDCP 2.3 encrypted.
			rx_streamid_type	Output	<ul style="list-style-type: none"> 0: The received stream type is 0. 1: The received stream type is 1.
		clk	rx_hdcp1_disable	Input	Assert this signal to disable the HDCP 1.3 IP. <i>Note:</i> You must reset the HDCP IP (hdcp_reset) and trigger a Hot Plug event after toggling this signal.
			rx_hdcp2_disable	Input	Assert this signal to disable the HDCP 2.3 IP. <i>Note:</i> You must reset the HDCP IP (hdcp_reset) and trigger a Hot Plug event after toggling this signal.

6.5.1. Controller Interface

The controller interface allows you to control the sink from an external or on-chip controller, such as the Nios II processor for debugging. The controller interface is an Avalon-MM slave that also allows access to the sink's internal status registers.

The sink asserts the `rx_mgmt_irq` port when issuing an interrupt to the controller.

Note: The controller interface is not available if you turned off the **Enable GPU Control** parameter.

Related Information

[DisplayPort Sink Register Map and DPCD Locations](#) on page 194

6.5.2. AUX Interface

The IP has three ports to control the serial data across the AUX channel:

- Data input (`rx_aux_in`)
- Data output (`rx_aux_out`)
- Output enable (`rx_aux_oe`). The output enable port controls the direction of data across the bidirectional link.

A state machine decodes the incoming AUX channel's Manchester encoded data using the 16 MHz clock. The message parsing drives the state machine input directly. The state machine performs all lane training and EDID link-layer services.

The sink's AUX interface also generates appropriate HPD IRQ events. These events occur if the sink's main link decoder detects a signal loss.

The sink core uses the `rx_cable_detect` signal to detect when a source (upstream) device is physically connected and the `rx_pwr_detect` signal to detect when a source device is powered. The sink core keeps the `rx_hpd` signal deasserted if both the `rx_cable_detect` and `rx_pwr_detect` signals are not asserted.

6.5.2.1. AUX Debug Interface

The AUX controller lets you capture all bytes sent from and received by the AUX channel, which is useful for debugging. The IP supports a standard stream interface that can drive an Avalonstreaming FIFO component directly.

6.5.2.2. EDID Interface

You can use the Avalon memory-mapped EDID interface to access an on-chip memory region containing the sink's EDID data. The AUX sink controller reads and writes to this memory region according to traffic on the AUX channel.

The Avalon memory-mapped interface uses an 8-bit address with an 8-bit data bus. The interface assumes a read latency of 1.

Note: The IP core not instantiate this interface if your design uses a controller to control the sink; for instance when you turn on the **Enable GPU control** parameter.



Refer to the *VESA Enhanced Extended Display Identification Data Implementation Guide* for more information.

6.5.3. Debugging Interface

6.5.3.1. Link Parameters Interface

The sink provides link level data for debugging and configuring external components using the `rx_lane_count` port.

6.5.3.2. Video Stream Out Interface

This interface provides access to the post-scrambler DisplayPort data, which is useful for low-level debugging source equipment. The 8-bit symbols received are organized as shown in the following table, where n increases with time (at each main link clock cycle, by 2 for dual-symbol mode or by 4 for quad-symbol mode).

Table 49. rxN_stream_data Bit Allocation

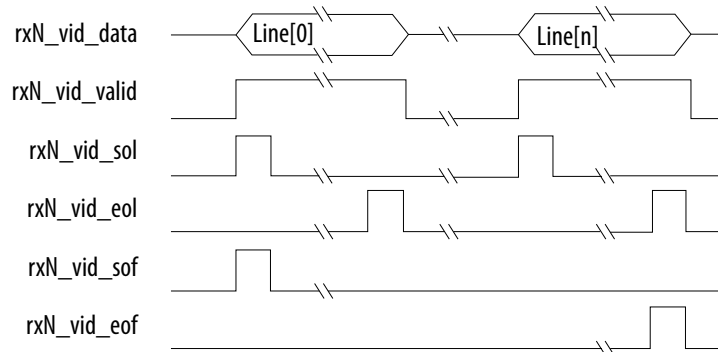
Bit	Dual-Symbol Mode	Quad-Symbol Mode
127:120	Not applicable	Lane 3 symbol $n + 3$
119:112	Not applicable	Lane 3 symbol $n + 2$
111:104	Not applicable	Lane 3 symbol $n + 1$
103:96	Not applicable	Lane 3 symbol n
95:88	Not applicable	Lane 2 symbol $n + 3$
87:80	Not applicable	Lane 2 symbol $n + 2$
79:72	Not applicable	Lane 2 symbol $n + 1$
71:64	Not applicable	Lane 2 symbol n
63:56	Lane 3 symbol $n + 1$	Lane 1 symbol $n + 3$
55:48	Lane 3 symbol n	Lane 1 symbol $n + 2$
47:40	Lane 2 symbol $n + 1$	Lane 1 symbol $n + 1$
39:32	Lane 2 symbol n	Lane 1 symbol n
31:24	Lane 1 symbol $n + 1$	Lane 0 symbol $n + 3$
23:16	Lane 1 symbol n	Lane 0 symbol $n + 2$
15:8	Lane 0 symbol $n + 1$	Lane 0 symbol $n + 1$
7:0	Lane 0 symbol n	Lane 0 symbol n

When data is received, data is produced on lane 0, lanes 0 and 1, or on all four lanes according to how many lanes are currently used and link trained on the main link. The IP provides the data output immediately after the data passes through the descrambler and features all control symbols, data, and original timing. As data is always valid at each and every clock cycle, the `rxN_stream_valid` signal remains asserted.

6.5.4. Video Interface

This interface (`rxN_video_out`) allows access to the video data as a non-Avalon-ST stream. You can use this stream to interface with an external pixel clock recovery function. The stream provides synchronization pulses at the start and end of active lines, and at the start and end of active frames.

Figure 29. Video Out Image Port Timing Diagram



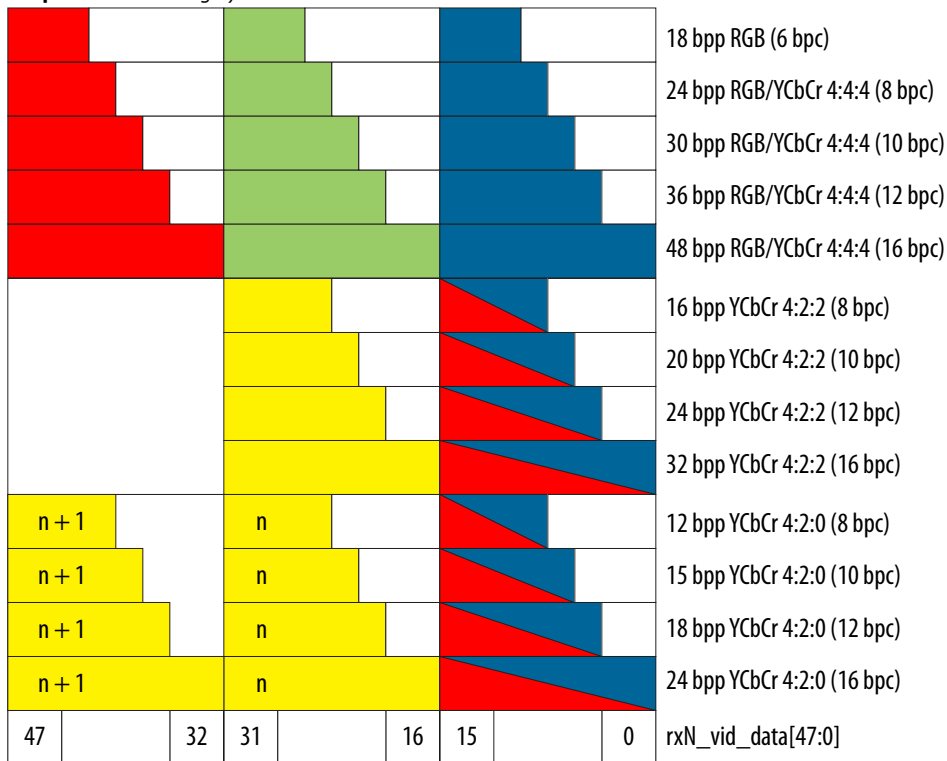
The `rxN_vid_overflow` signal is always valid, regardless of the logical state of `rxN_vid_valid`. `rxN_vid_overflow` is asserted for at least one clock cycle when the sink core internal video data FIFO runs into an overflow condition. This condition can occur when the `rxN_vid_clk` frequency is too low to transport the received video data successfully.

Specify the maximum data color depth in the DisplayPort parameter editor. The same output port transfers both RGB and YCbCr data in 4:4:4, 4:2:2, or 4:2:0 color format. Data is most-significant bit aligned and formatted for 4:4:4.



Figure 30. Video Output Data Format

18 bpp to 48 bpp for RGB/YCbCr 4:4:4, 16 bpp to 32 bpp for YCbCr 4:2:2, and 12 bpp to 24 bpp for YCbCr 4:2:0 port width when `rxN_video_out` port width is 48 (**Maximum video output color depth** = 16 bpc, **Pixel output mode** = Single)



n = Pixel Index

Table 50. Video Ports for 4:2:2 and 4:2:0 Color Formats

Color Format	Description
Sub-sampled 4:2:2 color format	<ul style="list-style-type: none"> Video port bits 47:32 are unused Video port bits 31:16 always transfer the Y component Video port bits 15:0 always transfer the alternate Cb or Cr component
Sub-sampled 4:2:0 color format	<ul style="list-style-type: none"> For even lines (starting with line 0) <ul style="list-style-type: none"> Video port bits 47:32 always transfer the Y_{n+1} component. Video port bits 31:16 always transfer the Y_n component. Video port bits 15:0 always transfer the Cb_n component. For odd lines <ul style="list-style-type: none"> Video port bits 47:32 always transfer the Y_{n+1} component. Video port bits 31:16 always transfer the Y_n component. Video port bits 15:0 always transfer the Cr_n component.

Table 51. YCbCr 4:2:0 Input Data Ordering Compared to RGB 4:4:4

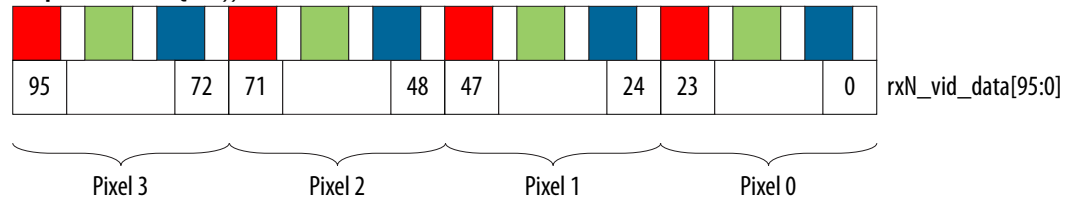
Pixel Indexes	R Position	G Position	B Position
0 and 1	Y1	Y0	<ul style="list-style-type: none"> • Cb0 (Even lines) • Cr0 (Odd lines)
2 and 3	Y3	Y2	<ul style="list-style-type: none"> • Cb2 (Even lines) • Cr2 (Odd lines)
4 and 5	Y5	Y4	<ul style="list-style-type: none"> • Cb4 (Even lines) • Cr4 (Odd lines)
...

If you set **Pixel output mode** to Dual or Quad, the IP produces two or four pixels in parallel, respectively. To support video resolutions with horizontal active, front and pack porches with lengths that are not divisible by two or four, `rxN_vid_valid` is widened. For example, for two pixels per clock, `rxN_vid_valid[0]` is asserted when pixel N belongs to active video and `rxN_vid_valid[1]` is asserted when pixel $n + 1$ belongs to active video.

The following figure shows the pixel data order from the least significant bits to the most significant bits.

Figure 31. Video Output Alignment

For RGB 18 bpp when `rxN_video_out` port width is 96 (**Maximum video output color depth = 8 bpc, Pixel output mode = Quad**)



Related Information

[Video and Image Processing Suite User Guide](#)

Provides more information about Clocked Video Input.

6.5.5. Clocked Video Input Interface

The `rxN_video_out` interface may interface with a clocked video input (CVI). CVI accepts the following video signals with a separate synchronization mode: `datavalid`, `de`, `h_sync`, `v_sync`, `f`, `locked`, and `data`.

The DisplayPort `rxN_video_out` interface has the following signals: `rxN_vid_valid`, `rxN_vid_sol`, `rxN_vid_eol`, `rxN_vid_sof`, `rxN_vid_eof`, `rxN_vid_locked`, and `rxN_vid_data`.

The following table describes how to connect the CVI and DisplayPort sink signals.

Note: This example uses the Intel Clocked Video Input IP.

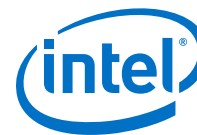


Table 52. Connecting CVI Signals to DisplayPort Sink Stream 0 Signals

CVI Signal	DisplayPort Sink Signal	Comment
vid_data	rx_vid_data	Video data
vid_datavalid	-	Drive high because the video data is not oversampled.
vid_f	rx_vid_field	Drive low because the video data is progressive.
vid_locked	rx_vid_locked	The core asserts this signal when a stable stream is present.
vid_de	rx_vid_valid	Indicates the active picture region of a line.
vid_h_sync	rx_vid_eol	The rx_vid_eol signal generates the vid_h_sync pulse by delaying it (by 1 clock cycle) to appear in the horizontal blanking period after the active video ends (rx_vid_valid is deasserted).
vid_v_sync	rx_vid_eof	The rx_vid_eof signal generates the vid_v_sync pulse by delaying it (by 1 clock cycle) to appear in the vertical blanking period after the active video ends (rx_vid_valid is deasserted).

Example 1. Verilog HDL CVI – DisplayPort Sink Example

// CVI V-sync and H-sync are derived from delayed versions of the eol and eof signals

```
always @ (posedge clk_video)
begin
    rx_vid_h_sync <= rx_vid_eol;
    rx_vid_v_sync <= rx_vid_eof;
end
```

```
assign vid_data = rx_vid_data;

assign vid_datavalid = 1'b1;

assign vid_f = 1'b0;

assign vid_locked = rx_vid_locked;

assign vid_h_sync = rx_vid_h_sync;

assign vid_de = rx_vid_valid;

assign vid_v_sync = rx_vid_v_sync;
```

6.5.6. RX Transceiver Interface

The transceiver or Native PHY IP core instance is no longer instantiated within the DisplayPort Intel FPGA IP. The DisplayPort Intel FPGA IP uses a soft 8B/10B decoder. This interface receives RX transceiver recovered data (rx_parallel_data) in either dual symbol (20-bit) or quad symbol (40-bit) mode, and drives the digital reset (rx_digitalreset), analog reset (rx_analogreset), and controls the CDR circuitry locking mode.

6.5.7. Transceiver Reconfiguration Interface

You can reconfigure the transceiver to accept a single reference clock of 135 MHz for all bit rates: RBR, HBR, HBR2, and HBR3.

During run-time, you can reconfigure the transceiver to operate in either one of the bit rate by changing RX CDR PLLs divider ratio.

When the IP makes a request, the `rx_reconfig_req` port goes high. The user logic asserts `rx_reconfig_ack`, and then reconfigures the transceiver. During reconfiguration, the user logic holds `rx_reconfig_busy` high. The user logic drives it low when reconfiguration completes.

Note: The transceiver requires a reconfiguration controller. Reset the transceiver to a default state upon power-up.

Related Information

- [AN 645: Dynamic Reconfiguration of PMA Controls in Stratix V Devices](#)
Provides more information about using the Transceiver Reconfiguration Controller to reconfigure the Stratix V Physical Media Attachment (PMA) controls dynamically.
- [V-Series Transceiver PHY IP Core User Guide](#)
Provides more information about how to reconfigure the transceiver for 28-nm devices.
- [AN 676: Using the Transceiver Reconfiguration Controller for Dynamic Reconfiguration in Arria V and Cyclone V Devices](#)
Provides more information about using the Transceiver Reconfiguration Controller to reconfigure the Arria V Physical Media Attachment (PMA) controls dynamically.
- [AN 678: High-Speed Link Tuning Using Signal Conditioning Circuitry](#)
Provides more information about link tuning.
- [Intel Arria 10 Transceiver PHY User Guide](#)
Provides more information about how to reconfigure the transceiver for Intel Arria 10 devices.
- [Intel Cyclone 10 GX Transceiver PHY User Guide](#)
Provides more information about how to reconfigure the transceiver for Intel Cyclone 10 GX devices.
- [Intel Stratix 10 L- and H-tile Transceiver PHY User Guide](#)
Provides more information about how to reconfigure the transceiver for Intel Stratix 10 L-tile and H-tile devices.



6.5.8. Secondary Stream Interface

The secondary streams data can be received through the `rxN_ss` interfaces. The interfaces do not allow for back-pressure and assume the downstream logic can handle complete packets. The `rxN_ss` interface does not distinguish between the types of packets it receives.

Note: The DisplayPort Intel FPGA IP supports InfoFrame SDP versions 1.2 and 1.3 over the Main-Link. INFOFRAME SDP version 1.2 shall be used to convey Audio INFOFRAME control information, as specified in *CEA-861-F* and *CEA-861.2*. Other INFOFRAME coding types, as specified in *CEA-861-F, Table 5*, and *CEA-861.3*, shall use INFOFRAME SDP version 1.3. Refer to the *VESA DisplayPort Standard version 1.2a, Section 2.2.5.1* for detailed definition.

The format of the `rxN_ss` interface output corresponds to four 15-nibble code words as specified by the *VESA DisplayPort Standard version 1.2a, Section 2.2.6.3*. These 15-nibble code words are typically supplied to the downstream Reed-Solomon decoder. The format differs for both header and payload, as shown in the following figure.

Figure 32. rxN_ss Input Data Format

15-Nibble Code Word for Packet Payload	15-Nibble Code Word for Packet Header
0	0
0	0
0	0
0	0
0	0
nb0	0
nb1	0
nb2	0
nb3	0
nb4	0
nb5	0
nb6	nb0
nb7	nb1
p0	p0
p1	p1

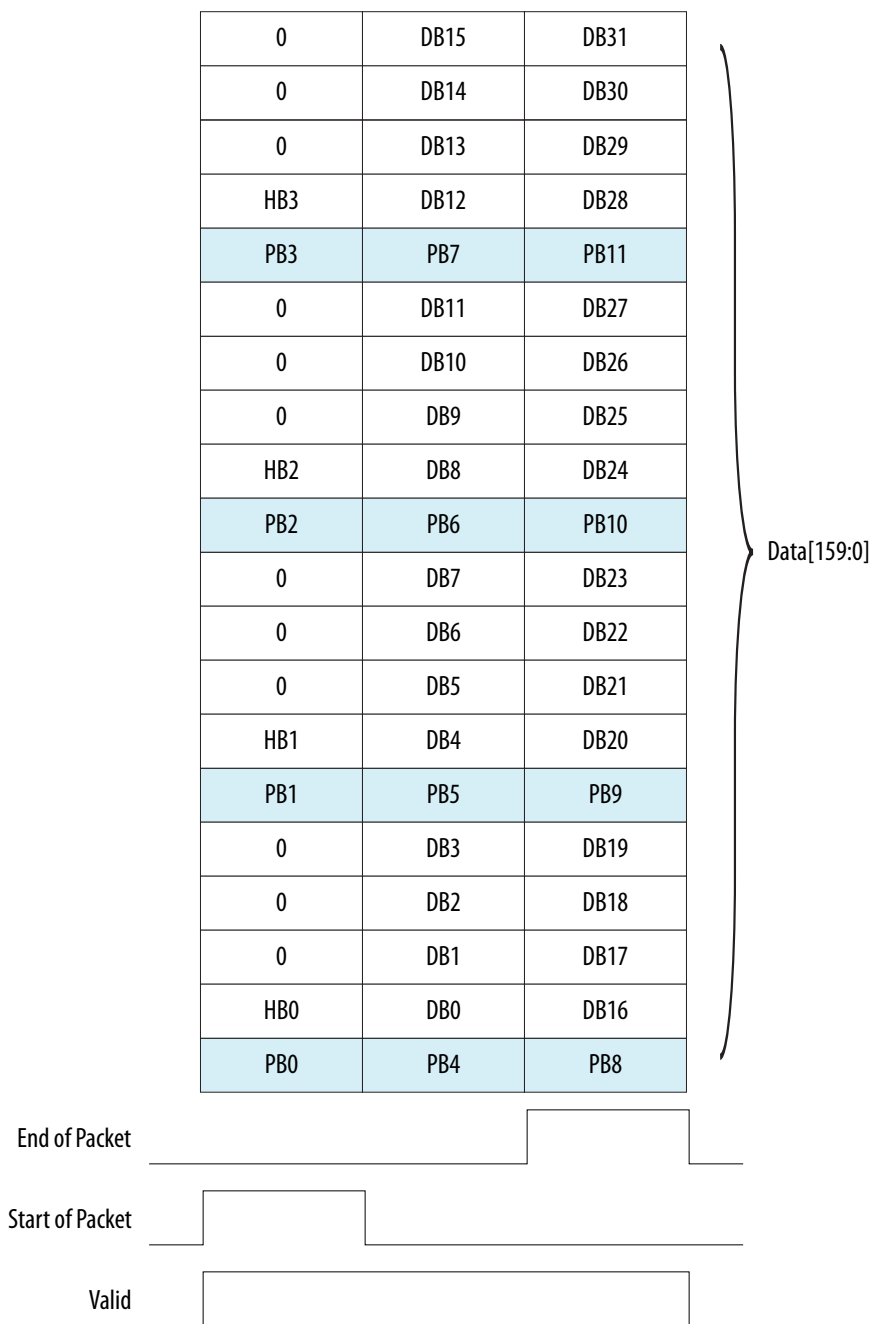


The following figure shows a typical secondary stream packet with the four byte header (HB0, HB1, HB2, and HB3) and 32-byte payload (DB0, ..., DB31). Each symbol has an associated parity nibble (PB0, ..., PB11). Downstream logic uses start-of-packet and end-of-packet to determine if the current input is a header or payload symbol.

Data is clocked out of the `rxN_ss` port using the `rx_ss_clk` signal. This signal is the same phase and frequency as the main link lane 0 clock.



Figure 33. Typical Secondary Stream Packet



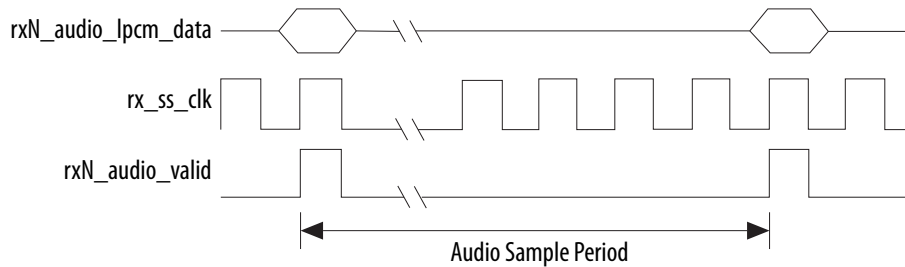
6.5.9. Audio Interface

The audio interfaces are downstream from the secondary stream decoder. They extract and decode the Audio InfoFrame packets, Audio Timestamp packets, and Audio Sample data.

The Audio Timestamp packet payload contains M and N values, which the sink uses to recover the source's audio sample clock. The `rxN_audio` port uses the values to generate the `rxN_audio_valid` signal according to sample audio data. Data is clocked out using the `rx_ss_clk` signal. The `rx_ss_clk` signal comes from the rx parallel clock from the RX transceiver. This clock runs at link data rate/20 for dual symbol mode and link data rate/40 for quad symbol mode.

The sink generates the `rxN_audio_valid` signal using the M and N values, and asserts it at the current audio sample clock rate. The `rxN_audio_mute` signal indicates whether audio data is present on the DisplayPort interface.

Figure 34. rxN_audio Data Output

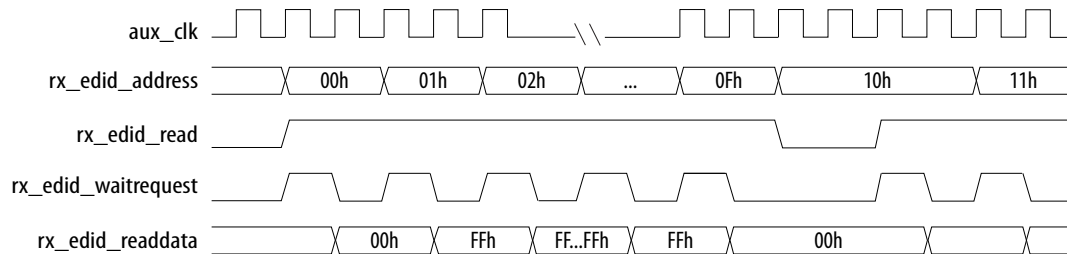


The captured Audio InfoFrame is available on the audio port. The 5-byte port corresponds to the 5 bytes used in the Audio InfoFrame (refer to CEA-861-D). The Audio InfoFrame describes the type of audio content.

6.5.10. Non-GPU Mode EDID Interface

When you select the DisplayPort sink non-GPU mode, the IP requires an external EDID memory to be connected to the DisplayPort sink through the sink EDID interface (`rx_edid`).

Figure 35. rx_edid Interface



6.5.11. MSA Interface

The `rxN_msa_conduit` ports allow designs access to the MSA and VB-ID parameters on a top-level port. The following table shows the 217-bit port bundle assignments. The prefixes `msa` and `vbid` denote parameters from the MSA and Vertical Blank ID (VB-ID) packets, respectively.

The sink asserts bit `msa_valid` when all `msa_` signals are valid and deasserts during MSA update. The sink assigns the MSA parameters to zero when it is not receiving valid video data.



The sink asserts the `msa_lock` bit when the MSA fields have been correctly formatted for the last 15 video frames. Because `msa_lock` changes state only when `msa_valid` = 1, you can use its rising edge to strobe new MSA values following an idle video period; for example, when the source changes video resolution. You can use its deasserted state to invalidate received video data.

The sink asserts bit `vbid_strobe` for one clock cycle when it detects the VB-ID and all `vbid_` signals are valid to be read.

Table 53. rxN_msa_conduit Port Signals

Bit	Signal	Description
216	<code>msa_lock</code>	0 = MSA fields format error. 1 = MSA fields correctly formatted.
215	<code>vbid_strobe</code>	0 = VB-ID fields invalid, 1 = VB-ID fields valid.
214:209	<code>vbid_vbid[5:0]</code>	VB-ID bit field: <ul style="list-style-type: none"> <code>vbid[0]</code> - VerticalBlanking_Flag <code>vbid[1]</code> - FieldID_Flag (for progressive video, this remains 0) <code>vbid[2]</code> - Interlace_Flag <code>vbid[3]</code> - NoVideoStream_Flag <code>vbid[4]</code> - AudioMute_Flag <code>vbid[5]</code> - HDCP SYNC DETECT
208:201	<code>vbid_Mvid[7:0]</code>	Least significant 8 bits of Mvid for the video stream
200:193	<code>vbid_Maud[7:0]</code>	Least significant 8 bits of Maud for the audio stream
192	<code>msa_valid</code>	0 = MSA fields are invalid or being updated, 1 = MSA fields are valid
191:168	<code>msa_Mvid[23:0]</code>	Mvid value for the main video stream. Used for stream clock recovery from link symbol clock.
167:144	<code>msa_Nvid[23:0]</code>	Nvid value for the main video stream. Used for stream clock recovery from link symbol clock.
143:128	<code>msa_Htotal[15:0]</code>	Horizontal total of received video stream in pixels
127:112	<code>msa_Vtotal[15:0]</code>	Vertical total of received video stream in lines
111	<code>msa_HSP</code>	H-sync polarity 0 = Active high, 1 = Active low
110:96	<code>msa_HSW[14:0]</code>	H-sync width in pixel count
95:80	<code>msa_Hstart[15:0]</code>	Horizontal active start from H-sync start in pixels (H-sync width + Horizontal back porch)
79:64	<code>msa_Vstart[15:0]</code>	Vertical active start from V-sync start in lines (V-sync width + Vertical back porch)
63	<code>msa_VSP</code>	V-sync polarity 0 = Active high, 1 = Active low
62:48	<code>msa_VSW[14:0]</code>	V-sync width in lines
47:32	<code>msa_Hwidth[15:0]</code>	Active video width in pixels
31:16	<code>msa_Vheight[15:0]</code>	Active video height in lines
15:8	<code>msa_MISC0[7:0]</code>	The <code>MISC0[7:1]</code> and <code>MISC1[7]</code> fields indicate the color encoding format. The color depth is indicated in <code>MISC0[7:5]</code> :
7:0	<code>msa_MISC1[7:0]</code>	
<i>continued...</i>		



Bit	Signal	Description
		<ul style="list-style-type: none">• 000 - 6 bpc• 001 - 8 bpc• 010 - 10 bpc• 011 - 12 bpc• 100 - 16 bpc <p>For details about the encoding format, refer to the <i>VESA DisplayPort Standard version 1.4</i>.</p>

6.6. Sink Clock Tree

The IP receives DisplayPort serial data across the high-speed serial interface (HSSI). The HSSI requires a 135 MHz clock for correct data locking. You can supply this frequency to the HSSI using a reference clock provided by an Intel FPGA PLL or pins.

The IP synchronizes HSSI 20- or 40-bit data to a single HSSI[0] clock that clocks the data into the DisplayPort front-end decoder.

- If you select dual symbol mode, this clock is equal to the link rate divided by 20 (270, 135, or 81 MHz).
- If you turn on quad symbol mode, this clock is equal to the link rate divided by 40 (202.5, 135, 67.5, or 40.5 MHz).

The IP crosses the reconstructed pixel data into a local video clock (`rxN_vid_clk`) through an output DCFIFO, which drives the pixel stream output. The `rxN_vid_clk` frequency must be higher than or equal to the video clock in the up-stream source.

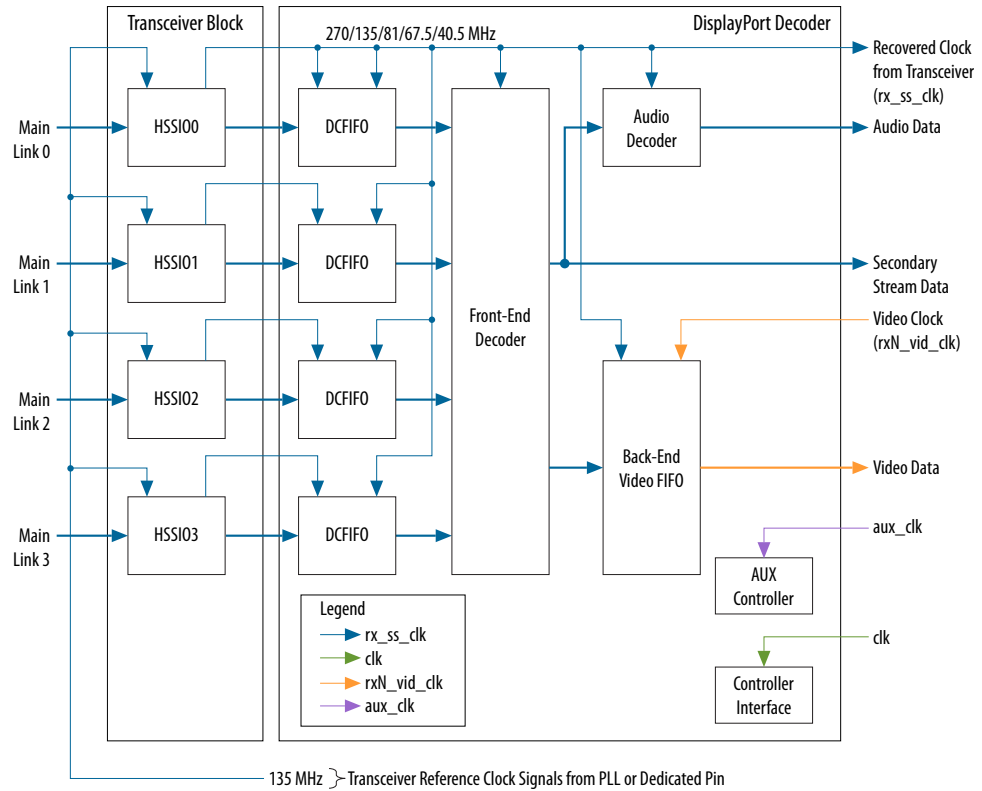
- If `rxN_vid_clk` is slower than the up-stream video clock, the DCFIFO overflows.
- If the `rxN_vid_clk` is faster than the up-stream source video clock, the output port experiences a deassertion of the valid port on cycles in which pixel data is not available.

The optimum frequency is the exact clock rate in the up-stream source. You require pixel clock recovery techniques to determine this clock frequency.

Secondary stream data is clocked by `rx_ss_clk`. The sink IP also requires a 16-MHz clock (`aux_clk`) to drive the internal AUX controller and an Avalon clock for the Avalon memory-mapped interface (`clk`).



Figure 36. Sink Clock Tree



Related Information

Clock Recovery Core on page 28

Provides more information about determining the optimum frequency.

7. DisplayPort Intel FPGA IP Parameters

Use the settings in the DisplayPort Intel FPGA IP parameter editor to configure your design.

Note: For DisplayPort Intel FPGA IP design example parameters, refer to the DisplayPort Intel FPGA IP design example user guide for the respective devices.

Related Information

- [DisplayPort Intel Arria 10 FPGA IP Design Example User Guide](#)
For more information about the Intel Arria 10 design example.
- [DisplayPort Intel Cyclone 10 GX FPGA IP Design Example User Guide](#)
For more information about the Intel Cyclone 10 GX design example.
- [DisplayPort Intel Stratix 10 FPGA IP Design Example User Guide](#)
For more information about the Intel Stratix 10 design examples.
- [DisplayPort Intel FPGA IP Hardware Design Examples for Arria V, Cyclone V, and Stratix V Devices](#) on page 24

7.1. DisplayPort Intel FPGA IP Source Parameters

You set parameters for the source using the DisplayPort Intel FPGA IP parameter editor.

Table 54. Source Parameters

Parameter	Description
Device family	Select the targeted device family: Intel Stratix 10, Intel Arria 10, Intel Cyclone 10 GX, Arria V GX, Arria V GZ, Cyclone V, or Stratix V.
Support DisplayPort source	Turn on to enable DisplayPort source.
Maximum video input color depth	Determines the maximum video input color depth (bits per color) supported by the DisplayPort source. Select 6, 8, 10, 12 or 16 bpc. <i>Note:</i> DisplayPort source supports RGB, YCbCr 4:4:4, YCbCr 4:2:2, and YCbCr 4:2:0 video formats by default.
TX maximum link rate	Select the maximum link rate supported: 8.1 Gbps, 5.4 Gbps, 2.7 Gbps, or 1.62 Gbps. <i>Note:</i> Cyclone V devices only support up to 2.7 Gbps. 8.10 Gbps is only available in quad symbols per clock for Intel Arria 10, Intel Cyclone 10 GX, and Intel Stratix 10 devices.
Maximum lane count	Select the maximum lanes supported: 1, 2, or 4. <i>Note:</i> If you turn on the Support MST parameter, the maximum lane count is fixed to 4 lanes.
Symbol output mode	Determines the TX transceiver data width in symbols per clock. Select dual (20 bits) or quad (40 bits).

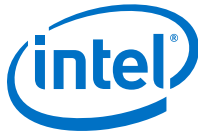
continued...

Intel Corporation. All rights reserved. Agilix, Altera, Arria, Cyclone, Enpirion, Intel, the Intel logo, MAX, Nios, Quartus and Stratix words and logos are trademarks of Intel Corporation or its subsidiaries in the U.S. and/or other countries. Intel warrants performance of its FPGA and semiconductor products to current specifications in accordance with Intel's standard warranty, but reserves the right to make changes to any products and services at any time without notice. Intel assumes no responsibility or liability arising out of the application or use of any information, product, or service described herein except as expressly agreed to in writing by Intel. Intel customers are advised to obtain the latest version of device specifications before relying on any published information and before placing orders for products or services.

*Other names and brands may be claimed as the property of others.



Parameter	Description
	Dual symbol mode saves logic resource but requires the core to run at twice the clock frequency of quad symbol mode. If timing closure is a problem in the device, you should consider using quad symbol mode.
Pixel input mode	Select the number of pixels per clock (single, dual, or quad symbol). <ul style="list-style-type: none"> If you select dual pixels per clock, the pixel clock is ½ of the full rate clock and the video port becomes two times wider. If you select four pixels per clock, the pixel clock is ¼ of the full rate clock and the video port becomes four times wider.
Scrambler seed value	Select the initial seed value for the scrambler block. <ul style="list-style-type: none"> DP: 16'hFFFF eDP: 16'hFFFE
Enable Video input Image port	Turn on to enable the video image interface. Turn off to use the traditional HSYNC/VSYNC/DE video input interface.
Support analog reconfiguration	Turn on to reconfigure VOD and pre-emphasis values.
Enable AUX debug stream	Turn on to send source AUX traffic output to an Avalon-ST port.
Support CTS test automation	Turn on to support CTS test automation.
Support GTC	The Global Time Code (GTC) feature is not available. However, if you want to use this feature, contact your nearest Intel FPGA sales representative or file a Service Request.
Support secondary data channel	Turn on to enable secondary data.
Support audio data channel	Turn on to enable audio packet encoding. <i>Note:</i> To use this parameter, you must turn on the Support secondary data channel parameter.
Number of audio data channels	Select the number of audio channels (2 or 8).
Support MST	Turn on to enable multi-stream support. <i>Note:</i> For multi-stream support, the maximum lane count is fixed to four lanes.
Max stream count	Specify the maximum amount of streams supported: 2, 3, or 4. <i>Note:</i> To use this parameter, you must turn on the Support MST parameter.
Support HDCP 1.3	Turn on to enable HDCP 1.3 TX support. This parameter can only be used when you specify these settings: <ul style="list-style-type: none"> Maximum lane count: 4 Symbol output mode: Dual (20 bits) or Quad (40 bits) <i>Note:</i> The HDCP-related parameters are not included in the Intel Quartus Prime Pro Edition software. To access the HDCP feature, contact Intel at https://www.intel.com/content/www/us/en/broadcast/products/programmable/applications/connectivity-solutions.html .
Support HDCP 2.3	Turn on to enable HDCP 2.3 TX support. This parameter can only be used when you specify these settings: <ul style="list-style-type: none"> Maximum lane count: 4 Symbol output mode: Dual (20 bits) or Quad (40 bits) <i>Note:</i> The HDCP-related parameters are not included in the Intel Quartus Prime Pro Edition software. To access the HDCP feature, contact Intel at https://www.intel.com/content/www/us/en/broadcast/products/programmable/applications/connectivity-solutions.html .



7.2. DisplayPort Intel FPGA IP Sink Parameters

You set parameters for the sink using the DisplayPort Intel FPGA IP parameter editor.

Table 55. Sink Parameters

Parameter	Description
Device family	Select the targeted device family: Intel Stratix 10, Intel Arria 10, Intel Cyclone 10 GX, Arria V GX, Arria V GZ, Cyclone V, or Stratix V.
Support DisplayPort sink	Turn on to enable DisplayPort sink.
Maximum video output color depth	Determines the maximum video input color depth (bits per color) supported by the DisplayPort source. Select 6, 8, 10, 12 or 16 bpc. DisplayPort sink supports RGB, YCbCr 4:4:4, YCbCr 4:2:2, and YCbCr 4:2:0 video formats by default.
RX maximum link rate	Select the maximum link rate supported: 8.1 Gbps, 5.4 Gbps, 2.7 Gbps, or 1.62 Gbps. <i>Note:</i> Cyclone V devices only support up to 2.7 Gbps. 8.10 Gbps is only available in quad symbols per clock for Intel Arria 10, Intel Cyclone 10 GX, and Intel Stratix 10 devices.
Maximum lane count	Select the maximum lanes supported: 1, 2, or 4. <i>Note:</i> If you turn on the Support MST parameter, the maximum lane count is fixed to 4 lanes.
Symbol input mode	Determines the RX transceiver data width in symbols per clock. Select dual (20 bits) or quad (40 bits). Dual symbol mode saves logic resource but requires the core to run at twice the clock frequency of quad symbol mode. If timing closure is a problem in the device, you should consider using quad symbol mode.
Pixel output mode	Select the number of pixels per clock (single, dual, or quad symbol). <ul style="list-style-type: none"> If you select dual pixels per clock, the pixel clock is ½ of the full rate clock and the video port becomes two times wider. If you select four pixels per clock, the pixel clock is ¼ of the full rate clock and the video port becomes four times wider.
Sink scrambler seed value	Select the initial seed value for the scrambler block. <ul style="list-style-type: none"> DP: 16'hFFFF eDP: 16'hFFFE
Export MSA	Turn on to enable the sink to export the MSA interface to the top-level port interface.
IEEE OUI	Specify an IEEE organizationally unique identifier (OUI) as part of the DPCD registers.
Enable GPU control	Turn on to use an embedded controller to control the sink.
Enable AUX debug stream	Turn on to enable AUX traffic output to an Avalon-ST port.
Support CTS test automation	Turn on to support automated test features.
Support GTC	The Global Time Code (GTC) feature is not available. However, if you want to use this feature, contact your nearest Intel FPGA sales representative or file a Service Request.
Support secondary data channel	Turn on to enable secondary data.
Support audio data channel	Turn on to enable audio packet decoding. <i>Note:</i> To use this parameter, you must also turn on Support secondary data channel . <i>Note:</i> The IP does not support audio data channel if you turn on the Support MST parameter.

continued...



Parameter	Description
Number of audio data channels	Select the number of audio channels (2 or 8).
Support MST	Turn on to enable multi-stream support. You must turn on Enable GPU control to support MST mode. <i>Note:</i> For multi-stream support, the maximum lane count is fixed to four lanes.
Max stream count	Specify the maximum amount of streams supported: 2, 3, or 4. <i>Note:</i> To use this parameter, you must turn on the Support MST parameter.
Support HDCP 1.3	Turn on to enable HDCP 1.3 RX support. This parameter can only be used when you specify these settings: <ul style="list-style-type: none"> • Maximum lane count: 4 • Symbol input mode: Dual (20 bits) or Quad (40 bits) • Enable GPU control: On <i>Note:</i> The HDCP-related parameters are not included in the Intel Quartus Prime Pro Edition software. To access the HDCP feature, contact Intel at https://www.intel.com/content/www/us/en/broadcast/products/programmable/applications/connectivity-solutions.html .
Support HDCP 2.3	Turn on to enable HDCP 2.3 RX support. This parameter can only be used when you specify these settings: <ul style="list-style-type: none"> • Maximum lane count: 4 • Symbol input mode: Dual (20 bits) or Quad (40 bits) • Enable GPU control: On <i>Note:</i> The HDCP-related parameters are not included in the Intel Quartus Prime Pro Edition software. To access the HDCP feature, contact Intel at https://www.intel.com/content/www/us/en/broadcast/products/programmable/applications/connectivity-solutions.html .

8. DisplayPort Intel FPGA IP Simulation Example

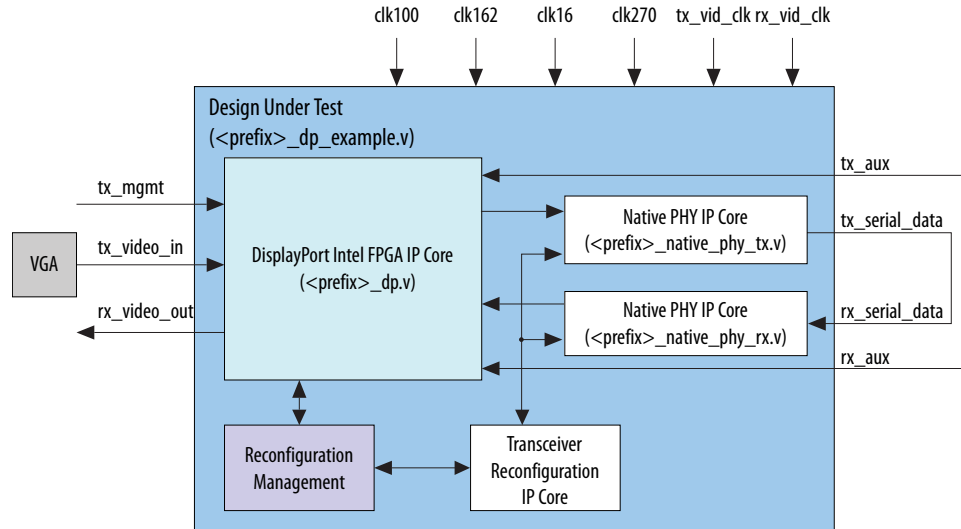
The DisplayPort simulation example allows you to evaluate the functionality of the DisplayPort Intel FPGA IP and provides a starting point for you to create your own simulation. This example targets the ModelSim SE simulator.

The simulation example instantiates the DisplayPort Intel FPGA IP with default settings, TX and RX enabled, and 8 bits per color. The core has the **Support CTS test automation** parameter turned on, which is required for the simulation to pass.

The test harness instantiates the design under test (DUT) and a VGA driver. It also generates the clocks and top-level stimulus. The design manipulates the `tx_mgmt` interface in the main loop to establish a link and send several frames of video data. The test harness checks that the sent data's CRC matches the received data's CRC for three frames.

Figure 37. Simulation Example Block Diagram for Arria V, Cyclone V, and Stratix V Devices

The files are named `<prefix>_<name>.<extension>` where `<prefix>` represents the device (**av** for Arria V devices, **cv** for Cyclone V devices, and **sv** for Stratix V devices).



8.1. Design Walkthrough

Setting up and running the DisplayPort simulation example consists of the following steps:

1. Copy the simulation files to your target directory.
2. Generate the IP simulation files and scripts, and compile and simulate.
3. View the results.



You use a script to automate these steps.

8.1.1. Copy the Simulation Files to Your Working Directory

Copy the simulation example files to your working directory using the command:

```
cp -r <IP root directory>/altera/altera_dp/sim_example/<device> <working directory>
```

where <device> is **av** for Arria V devices, **cv** for Cyclone V devices, and **sv** for Stratix V devices.

Your working directory should contain the files shown below.

Table 56. Simulation Example Files for Arria V, Cyclone V, and Stratix V Devices

Files are named <prefix>_<name>.<extension> where <prefix> represents the device (**av** for Arria V devices, **cv** for Cyclone V devices, and **sv** for Stratix V devices).

File Type	File	Description
System Verilog HDL design files	<prefix>_dp_harness.sv	Top-level test harness.
Verilog HDL design files	<prefix>_dp_example.v	Design under test (DUT).
	dp_mif_mappings.v	Table translating MIF mappings for transceiver reconfiguration.
	dp_analog_mappings.v	Table translating VOD and pre-emphasis settings.
	reconfig_mgmt_hw_ctrl.v	Reconfiguration manager top-level.
	reconfig_mgmt_write.v	Reconfiguration manager FSM for a single write command.
	clk_gen.v	Clock generation file.
	freq_check.sv	Top-level file for the frequency checker.
	rx_freq_check.sv	RX frequency checker.
	tx_freq_check.sv	TX frequency checker.
IP Catalog files	<prefix>_dp.v	IP Catalog variant for the DisplayPort Intel FPGA IP.
	<prefix>_xcvr_reconfig.v	IP Catalog variant for the transceiver reconfiguration core.
	<prefix>_native_phy_rx.v	IP Catalog variant for the RX transceiver.
	<prefix>_native_phy_tx.v	IP Catalog variant for the TX transceiver.
Scripts	runall.sh	This script generates the IP simulation files and scripts, and compiles and simulates them.
	msim_dp.tcl	Compiles and simulates the design in the ModelSim software.
Waveform .do files	all.do	Waveform that shows a combination of all waveforms.
	reconfig.do	Waveform that shows the signals involved in reconfiguring the transceiver.
	rx_video_out.do	Waveform that shows the rx_video_out signals from the DisplayPort Intel FPGA IP mapped to the CVI input.
		<i>continued...</i>



File Type	File	Description
	tx_video_in.do	Waveform that shows the tx_vid_v_sync, tx_vid_h_sync, de, tx_vid_de, tx_vid_f, and tx_vid_data[23:0] signals at 256 pixels per line and 8 bpp,
Miscellaneous files	readme.txt	Documentation for the simulation example.
	edid_memory.hex	Initial content for the EDID ROM.

8.1.2. Generate the IP Simulation Files and Scripts, and Compile and Simulate

In this step you use a script to generate the IP simulation files and scripts, and compile and simulate them. Type the command:

```
sh runall.sh
```

This script executes the following commands:

- Generate the simulation files for the DisplayPort, transceivers, and transceiver reconfiguration IP cores:

Arria V, Cyclone V, and Stratix V devices; (where *<prefix>* is av for Arria V devices, cv for Cyclone V devices, and sv for Stratix V devices)

```
— qmegawiz -silent <prefix>_xcvr_reconfig.v
— qmegawiz -silent <prefix>_dp.v
— qmegawiz -silent <prefix>_native_phy_rx.v
— qmegawiz -silent <prefix>_native_phy_tx.v
```

- Merge the four resulting **msim_setup.tcl** scripts to create a single **mentor/msim_setup.tcl**:

Arria V, Cyclone V, and Stratix V devices; (where *<prefix>* is av for Arria V devices, cv for Cyclone V devices, and sv for Stratix V devices)

```
ip-make-simscrip --spd=./<prefix>_xcvr_reconfig.spd --spd=./
<prefix>_dp.spd --spd=./<prefix>_native_phy_rx.spd --spd=./
<prefix>_native_phy_tx.spd
```

- Compile and simulate the design in the ModelSim software:

```
vsim -c -do msim_dp.tcl
```

The simulation sends several frames of video after reconfiguring the DisplayPort source (TX) and sink (RX) to use the HBR (2.7 G) rate. A successful result is seen by the CTS test automation logic's CRC checks. These checks compare the CRC of the transmitted image with the result measured at the sink. The result is successful if the sink detects three matching frames.

Example 2. Example Successful Result

```
# Testing Link HBR Rate Training Pattern 1
# Testing Video Input Frame Number = 00
# Testing Link HBR Rate Training Pattern 2
# TX Frequency Change Detected, Measured Frequency = 135 MHz
# RX Frequency Change Detected, Measured Frequency = 135 MHz
# ...
```




```
# SINK CRC_R = 9b40, CRC_G = 9b40, CRC_B = 9b40,
# SOURCE CRC_R = 9b40, CRC_G = 9b40, CRC_B = 9b40,
# Pass: Test Completed
```

8.1.3. View the Results

You can view the results in the ModelSim GUI by loading various **.do** files in the Wave viewer.

1. Launch the ModelSim GUI with the **vsim** command.
2. In the ModelSim Tcl window, execute the **dataset open** command: `dataset open vsim.wlf`
3. Select **View > Open Wave files**.
4. Load the **.do** files to view the waveforms (refer back to Table 7-1 for a listing of the files).

Figure 38. RX Reconfiguration Waveform

In the timing diagram below, `rx_link_rate` is set to 1 (HBR). When the core makes a request, the `rx_reconfig_req` port goes high. The user logic asserts `rx_reconfig_ack` and then reconfigures the transceiver. During reconfiguration, the user logic holds `rx_reconfig_busy` high; the user logic drives it low when reconfiguration completes.

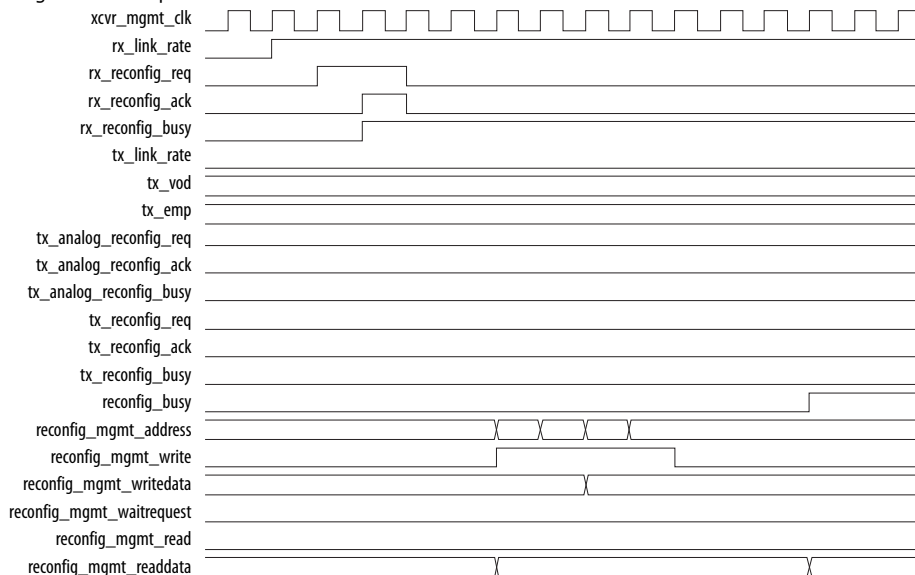


Figure 39. TX Reconfiguration Waveform

In the timing diagram below, tx_link_rate is set to 1 (HBR). When the core makes a request, the tx_reconfig_req port goes high. The user logic asserts tx_reconfig_ack and then reconfigures the transceiver. During reconfiguration, the user logic holds tx_reconfig_busy high; the user logic drives it low when reconfiguration completes.

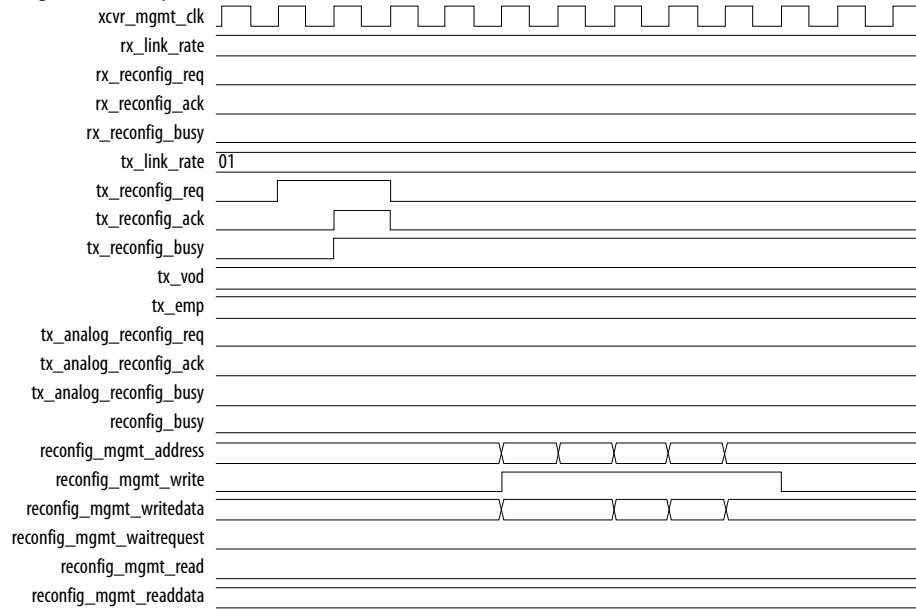


Figure 40. TX Analog Reconfiguration Waveform

In the timing diagram below, tx_vod and tx_emp are both set to 00. When the core makes a request, the tx_analog_reconfig_req port goes high. The user logic asserts tx_analog_reconfig_ack and then reconfigures the transceiver. During reconfiguration, the user logic holds tx_analog_reconfig_busy high; the user logic drives it low when reconfiguration completes.

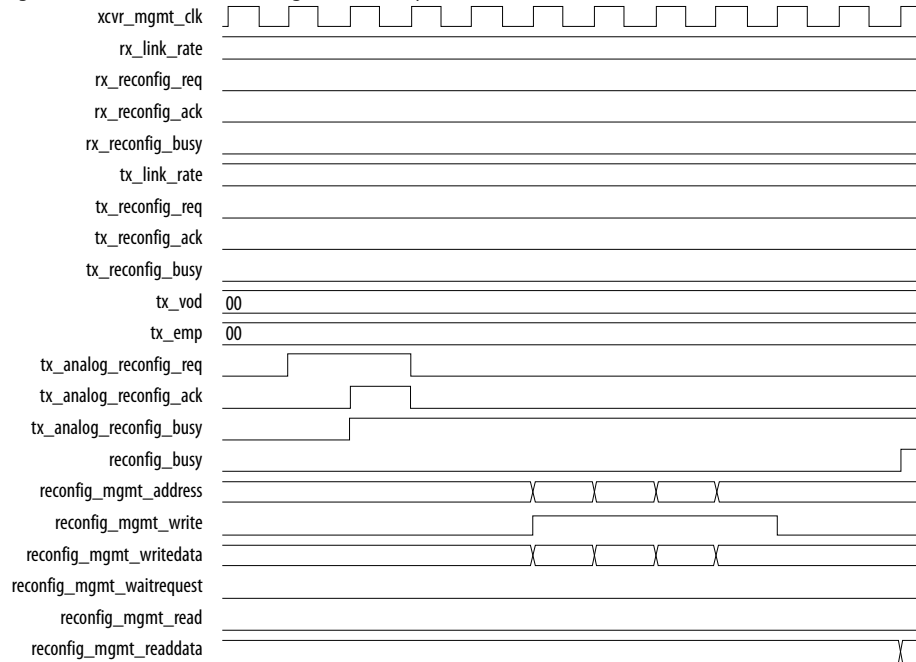
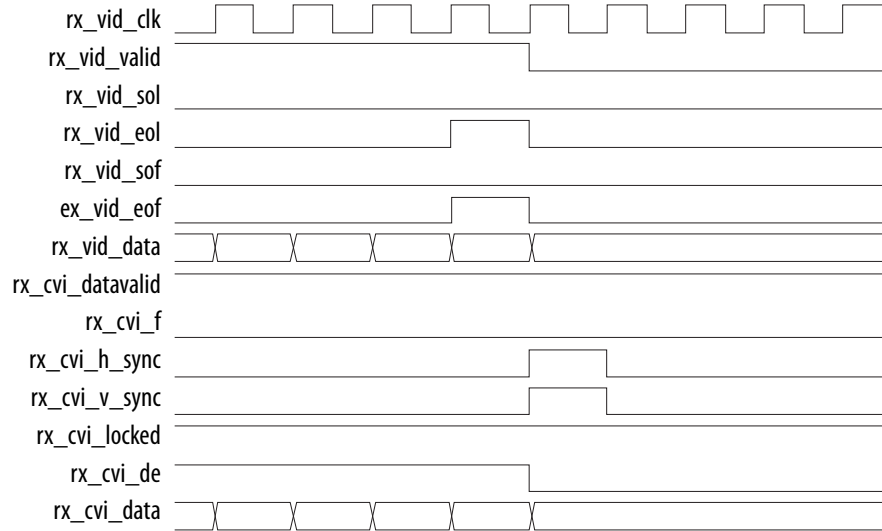




Figure 41. RX Video Waveform

This timing diagram shows an example RX video waveform when interfacing to CVI. The `rx_vid_eol` signal generates the `h_sync` pulse by delaying it (by 1 clock cycle) to appear in the horizontal blanking period after the active video ends (VALID is deasserted). The `rx_vid_eof` signal generates the `v_sync` pulse by delaying it (by 1 clock cycle) to appear in the vertical blanking period after the active video ends (VALID is deasserted).



9. DisplayPort API Reference

You can use the DisplayPort Intel FPGA IP to instantiate sources and sinks. Source instantiations require an embedded controller (Nios II processor or another controller) to act as the policy maker. Sink instantiations greatly benefit from and may optionally use a controller.

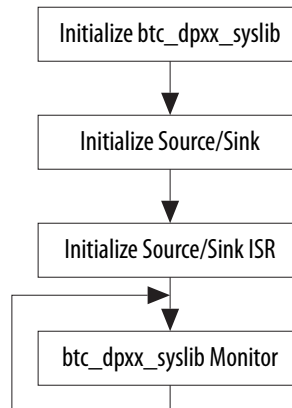
Intel provides software for source and sink instantiations as two system libraries for the Nios II processor (`btc_dptx_syslib` and `btc_dprx_syslib`, respectively). The IP includes an example main program (`dp_demo_src/main.c`), which demonstrates basic system library use.

9.1. Using the Library

The following figure describes a typical user application flow. The user application must initialize the library as its first operation. Next, the application should initialize the instantiated devices (sink and/or source), partly in the `btc_dptx_syslib` and `btc_dprx_syslib` data structures and partly in the user application. You must also implement interrupt service routines (ISRs) to handle interrupts generated by the DisplayPort core.

When initialization completes, the user application should periodically invoke the library monitoring function.

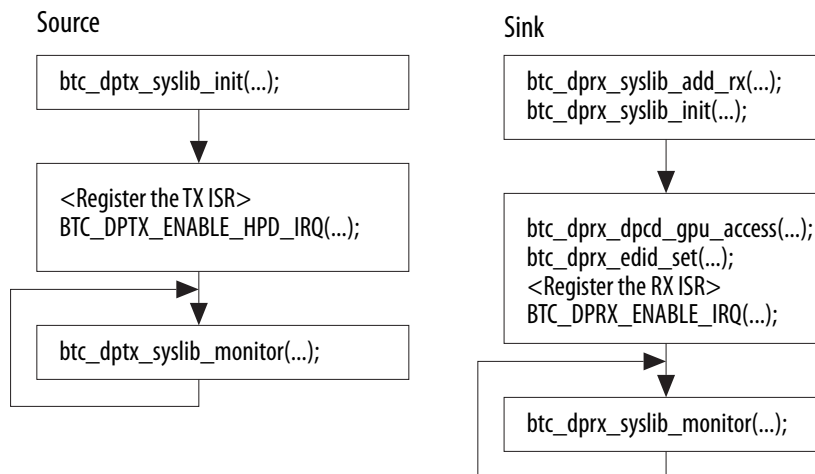
Figure 42. Typical User Application Flow



The following figure shows a more detailed view of these operations. For a sink application, the user application must initialize the DPCD content and the EDID. Additionally, for both source and sink applications, an interrupt ISR must be registered.



Figure 43. Typical Source and Sink User Application Library Calls



Sink instantiations issue an interrupt to the GPU when an AUX channel Request is received from the connected source. Source instantiations issue an interrupt to the GPU when a logic state change is detected on the HPD signal generated by the connected DisplayPort sink.

Because sources always act as AUX channel masters, they can manage AUX communication by initiating a transaction (by sending a request) and then polling the IP registers waiting to receive a reply. Optionally, source instantiations can also issue an interrupt to the GPU when an AUX channel reply is received from the connected DisplayPort sink, allowing the GPU to execute other tasks while waiting for AUX channel replies.

Enable or disable source and sink interrupts with the following library macros:

- BTC_DPTX_ENABLE_HPD_IRQ()
- BTC_DPTX_DISABLE_HPD_IRQ()
- BTC_DPTX_ENABLE_AUX_IRQ()
- BTC_DPTX_DISABLE_AUX_IRQ()
- BTC_DPRX_ENABLE_IRQ()
- BTC_DPRX_DISABLE_IRQ()

`btc_dprx_syslib` manages one to four sink instances by disabling all GPU interrupts when invoked and restoring them to their previous state on exiting. Therefore, most of the library public functions implement critical sections.

The GPU main program should minimize overhead when serving interrupts generated by sink instances (i.e., interrupts related to a connected source's AUX channel requests).

Interrupts generated by source instances (i.e. interrupts related to a connected sink's HPD activity) can be served with a lower priority. In designs where the same GPU handles both source and sink instances, the GPU must allow for nested interrupts originated by sinks. That is, a sink must be allowed to interrupt a source interrupt service routine (but not another sink interrupt service routine).

Example 3. Typical Sink ISR Implementation

```
btc_dprx_aux_get_request (0,&cmd,&address,&length,data);
btc_dprx_aux_handler(0,cmd,address,length,data);
```

Example 4. Typical Source ISR Implementation

```
BTC_DPTX_DISABLE_HPD_IRQ(...);
<Enable nested interrupt>
if (HPD asserted)
{
    <read Sink EDID>
    <set video output resolution>
    btc_dptx_link_training(...);
}
else if (HPD deasserted)
    btc_dptx_video_enable(..., 0);
else if (IRQ_HPD)
{
    <check link status>
    if (Test Automation request)
        btc_dptx_test_autom(...);
}
<Disable nested interrupt>
BTC_DPTX_DISABLE_HPD_IRQ(...);
```

9.2. btc_dprx_syslib API Reference

This section provides information about the DisplayPort sink system library functions (btc_dprx_syslib), including:

- C prototype
- Function description
- Whether the function is thread-safe when running in a multi-threaded environment
- Whether the function can be invoked from an ISR
- Example

9.3. btc_dprx_aux_get_request

Prototype:	<pre>int btc_dprx_aux_get_request(BYTE rx_idx, BYTE *cmd, unsigned int *address, BYTE *length, BYTE *data)</pre>
Thread-safe:	Yes
Available from ISR:	Yes
Include:	< btc_dprx_syslib.h >
Return:	0 = success, 1 = fail
<i>continued...</i>	



Parameters:	<ul style="list-style-type: none"> • <code>rx_idx</code>—Sink instance index (0 - 3) • <code>cmd</code>—Pointer to command • <code>address</code>—Pointer to address • <code>length</code>—Pointer to length (0 - 16) • <code>data</code>—Pointer to data received
Description:	This function retrieves an AUX channel request issued by the connected DisplayPort source. <code>cmd</code> and <code>address</code> are the command byte and the address in the original request received, respectively (refer to the <i>VESA DisplayPort Standard</i> for more details). When the request is a write, <code>*data</code> fills with the data bytes sent by the source. To support address-only requests, <code>length</code> is the original <code>len</code> byte sent by the source incremented by one.
Example:	<code>btc_dprx_aux_get_request(0, pcmd, padd, plen, pwrdata);</code>

Related Information

[btc_dprx_aux_handler](#) on page 127

9.4. btc_dprx_aux_handler

Prototype:	<pre>int btc_dprx_aux_handler(BYTE rx_idx BYTE cmd, unsigned int address, BYTE length, BYTE *data)</pre>
Thread-safe:	Yes
Available from ISR:	Yes
Include:	< <code>btc_dprx_syslib.h</code> >
Return:	0 = success, 1 = fail
Parameters:	<ul style="list-style-type: none"> • <code>rx_idx</code>—Sink instance index (0 - 3) • <code>cmd</code>—Command • <code>address</code>—Address • <code>length</code>—Length (0 - 16) • <code>data</code>—Pointer to data being written
Description:	<p>This function processes an AUX channel request issued by the connected DisplayPort source. <code>cmd</code> and <code>address</code> are the command byte and the address in the original request received, respectively (refer to the <i>VESA DisplayPort Standard</i> for more details). When the request is a write, <code>data</code> must point to the data bytes sent by the source. To support address-only requests, <code>length</code> is the original <code>len</code> byte sent by the source incremented by one. When the request is a read, <code>data</code> is not used and can be NULL.</p> <p>This function provides all the functionality of the DPCD registers implemented inside the system library, including:</p> <ul style="list-style-type: none"> • DPCD locations read/write support • EDID read support • Link training execution • Forwarding of AUX channel replies back to the source
Example:	<code>btc_dprx_aux_handler(0, pcmd, padd, plen, pwrdata);</code>

Related Information

[btc_dprx_aux_get_request](#) on page 126

9.5. btc_dprx_aux_post_reply

Prototype:	<pre>int btc_dprx_aux_post_reply(BYTE rx_idx BYTE cmd, BYTE size, BYTE *data)</pre>
Thread-safe:	Yes
Available from ISR:	Yes
Include:	< btc_dprx_syslib.h >
Return:	0 = success, 1 = fail
Parameters:	<ul style="list-style-type: none"> rx_idx—Sink instance index (0 - 3) cmd—Command size—Number of data bytes transmitted (0 - 16) data—Pointer to data transmitted
Description:	This function transmits an AUX channel reply to the connected DisplayPort source. cmd is the reply command byte (refer to the <i>VESA DisplayPort Standard</i> for more details). When the reply includes read data, *data fills with the data bytes sent to the source. To support replies with no data returned, size is the actual len byte sent to the source incremented by one.
Example:	<code>btc_dprx_aux_post_reply (0, 0x10, 0, NULL); //Reply AUX_NACK</code>

Related Information

[btc_dprx_aux_get_request](#) on page 126

9.6. btc_dprx_baseaddr

Prototype:	<code>unsigned int btc_dprx_baseaddr(BYTE rx_idx)</code>
Thread-safe:	Yes
Available from ISR:	Yes
Include:	< btc_dprx_syslib.h >
Return:	0 = success, 1 = fail
Parameters	rx_idx—Sink instance index (0 - 3)
Description:	This function returns the RX instance's base address connected to the given port number.
Example:	<code>addr = btc_dprx_baseaddr(0);</code>

9.7. btc_dprx_dpcd_gpu_access

Prototype:	<pre>int btc_dprx_dpcd_gpu_access(BYTE rx_idx BYTE wrcmd, unsigned int address, BYTE length, BYTE *data)</pre>
Thread-safe:	Yes

continued...



Available from ISR:	Yes
Include:	< btc_dprx_syslib.h >
Return:	0 = success, 1 = fail
Parameters:	<ul style="list-style-type: none"> rx_idx—Sink instance index (0 - 3) wrcmd—0 = read, 1 = write address—Address length—Length (1 - 255) data—Pointer to data
Description:	This function allows the controller to access the sink's DPCD locations (implemented in the system library) for reading and writing data. data must point to a location containing length bytes (writes) or be able to accommodate length bytes (reads).
Example:	<code>btc_dprx_dpcd_gpu_access(0, 1, 0x00000, 1, pwrdata);</code>

9.8. btc_dprx_edid_set

Prototype:	<pre>int btc_dprx_edid_set(BYTE rx_idx BYTE port, BYTE *edid_data, BYTE num_blocks)</pre>
Thread-safe:	Yes
Available from ISR:	Yes
Include:	< btc_dprx_syslib.h >
Return:	0 = success, 1 = fail
Parameters:	<ul style="list-style-type: none"> rx_idx—Sink instance index (0 - 3) port—RX port (stream) number (0 - 3) edid_data—Pointer to EDID data memory num_blocks—EDID size in blocks
Description:	This function allows the controller to set the content of the sink's EDID implemented in the system library. The library references the EDID data and does not copy it. One block is 128 bytes long. The system library accepts a maximum of 4 blocks (512 bytes long EDIDs). Each streaming sink port has its own EDID.
Example:	<code>btc_dprx_edid_set(0, 0, pmy_edid, 2);</code>

9.9. btc_dprx_hpd_get

Prototype:	<code>int btc_dprx_hpd_get(BYTE rx_idx)</code>
Thread-safe:	Yes
Available from ISR:	Yes
Include:	< btc_dprx_syslib.h >
Return:	0 = success, 1 = fail
<i>continued...</i>	

Parameters:	rx_idx—Sink instance index (0 - 3)
Description:	Returns the current logic level of the RX HPD.
Example:	<code>btc_dprx_hpd_get(0);</code>

Related Information

- [btc_dprx_hpd_pulse](#) on page 130
- [btc_dprx_hpd_set](#) on page 130

9.10. btc_dprx_hpd_pulse

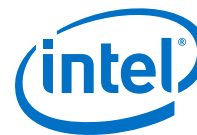
Prototype:	<pre>void btc_dprx_hpd_pulse(BYTE rx_idx BYTE dev_irq_vect0, BYTE dev_irq_vect1, BYTE link_irq_vect0)</pre>
Thread-safe:	Yes
Available from ISR:	Yes
Include:	< btc_dprx_syslib.h >
Return:	-
Parameters:	<ul style="list-style-type: none"> • rx_idx—Sink instance index (0 - 3) • dev_irq_vect0—Device Service IRQ vector 0. This value is OR-ed to DPCD locations 0x0201 and 0x2003 • dev_irq_vect1—Device Service IRQ vector 0. This value is OR-ed to DPCD locations 0x2004 • link_irq_vect0—Device Service IRQ vector 0. This value is OR-ed to DPCD locations 0x2005
Description:	<p>This function deasserts (sets to 0) the RX HPD for 750 s. You can use this function to send an IRQ_HPDPulse to the connected DisplayPort source.</p> <p>DPCD locations 0x0201 and 0x2003-0x2005 are set accordingly to given parameters before the pulse is generated and IRQ vector information is provided to the source.</p> <p>Before invoking this function, you must have invoked <code>btc_dprx_hpd_set</code> with level = 1 (HPD must be set to 1).</p>
Example:	<code>btc_dprx_hpd_pulse(0, 0, 0, 0);</code>

Related Information

- [btc_dprx_hpd_get](#) on page 129
- [btc_dprx_hpd_set](#) on page 130

9.11. btc_dprx_hpd_set

Prototype:	<pre>void btc_dprx_hpd_set(BYTE rx_idx, int level)</pre>
Thread-safe:	Yes
Available from ISR:	Yes
Include:	< btc_dprx_syslib.h >
continued...	



Return:	-
Parameters:	<ul style="list-style-type: none"> rx_idx—Sink instance index (0 - 3) level—0 or 1
Description:	This function allows the controller to set the logic level of the RX HPD.
Example:	<code>btc_dprx_hpd_set(0,1);</code>

Related Information

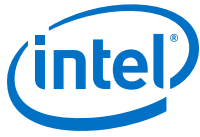
- [btc_dprx_hpd_get](#) on page 129
- [btc_dprx_hpd_pulse](#) on page 130

9.12. btc_dprx_lt_eyeq_init

Prototype:	<pre>void btc_dprx_lt_eyeq_init(BYTE rx_idx BYTE enabled, BYTE log_chan_from, BYTE log_chan_to unsigned int rcnf_base_addr)</pre>
Thread-safe:	Yes
Available from ISR:	Yes
Include:	< btc_dprx_syslib.h >
Return:	0 = success, 1 = fail
Parameters:	<ul style="list-style-type: none"> rx_idx—Sink instance index (0 - 3) enabled—0 to disable Eye Viewer (default), 1 to enable Eye Viewer log_chan_from—Reconfiguration controller first logical channel related to this sink (lane0) log_chan_to—Reconfiguration controller last logical channel related to this sink (higher lane supported) rcnf_base_addr—Reconfiguration controller base address
Description:	This function to enable or disable equalizer (AC Gain) automatic management using the Eye Viewer feature of supporting devices. When enabled, a number of RX transceiver features must be supported and their reconfiguration must be enabled too.
Example:	<code>btc_dprx_lt_eyeq_init (0,1,0,3,RECONFIG_MGMT_BASE);</code>

9.13. btc_dprx_lt_force

Prototype:	<pre>void btc_dprx_lt_force(BYTE rx_idx)</pre>
Thread-safe:	Yes
Available from ISR:	Yes
Include:	< btc_dprx_syslib.h >
Return:	-
<i>continued...</i>	



Parameters:	rx_idx—Sink instance index (0 - 3)
Description:	This function brings the main link down and generates an IRQ_HPDP forcing the connected source to perform a new Link Training.
Example:	<code>btc_dprx_lt_force (0);</code>

9.14. btc_dprx_rtl_ver

Prototype:	<pre>void btc_dprx_rtl_ver(BYTE *major BYTE *minor, BYTE *rev)</pre>
Thread-safe:	Yes
Available from ISR:	Yes
Include:	< btc_dprx_syslib.h >
Return:	-
Parameters:	<ul style="list-style-type: none">major—Pointer to major versionminor—Pointer to minor versionrev—Pointer to revision)
Description:	This function returns the version of the RX core (RTL).
Example:	<code>btc_dprx_rtl_ver(&maj, &min, &rev);</code>

9.15. btc_dprx_sw_ver

Prototype:	<pre>void btc_dprx_sw_ver(BYTE *major BYTE *minor, BYTE *rev)</pre>
Thread-safe:	Yes
Available from ISR:	Yes
Include:	< btc_dprx_syslib.h >
Return:	-
Parameters:	<ul style="list-style-type: none">major—Pointer to major versionminor—Pointer to minor versionrev—Pointer to revision)
Description:	This function returns the version of the RX system library.
Example:	<code>btc_dprx_sw_ver(&maj, &min, &rev);</code>

9.16. btc_dprx_syslib_add_rx

Prototype:	<pre>int btc_dprx_syslib_add_rx(BYTE rx_idx, unsigned int rx_base_addr,</pre>
------------	--

continued...



	<pre>unsigned int rx_irq_id, unsigned int rx_irq_num, unsigned int rx_num_of_sinks, unsigned int options)</pre>
Thread-safe:	No
Available from ISR:	No
Include:	< btc_dprx_syslib.h >
Return:	0 = success, 1 = fail
Parameters:	<ul style="list-style-type: none"> rx_idx—Sink instance index (0 - 3) rx_base_addr—RX base address rx_irq_id—RX IRQ ID rx_irq_num—RX IRQ number rx_num_of_sinks—Number of streaming sinks used (1 - 4) options—OR-ed options for this instance or 0 if unused
Description:	This function declares a sink (RX) instance to the system library. It should be invoked once for each existing sink instance, starting from rx_idx = 0. After all sinks have been declared, invoke btc_dprx_syslib_init ().
Example:	<pre>btc_dprx_syslib_add_rx (0, DP_RX_SINK_BASE, DP_RX_SINK_IRQ_INTERRUPT_CONTROLLER_ID, DP_RX_SINK_IRQ, 2, BTC_DPRX_OPT_DISABLE_ERRMON);</pre>

Related Information

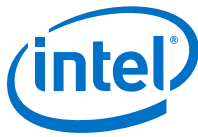
[btc_dprx_syslib_init](#) on page 133

9.17. btc_dprx_syslib_info

Prototype:	<pre>void btc_dprx_syslib_info(BYTE *max_sink_num, BYTE *mst_support)</pre>
Thread-safe:	Yes
Available from ISR:	Yes
Include:	< btc_dprx_syslib.h >
Return:	None
Parameters:	<ul style="list-style-type: none"> max_sink_num—Pointer for maximum number of sinks supported mst_support—Pointer for MST support
Description:	This function returns information about the system library capabilities. On return, max_sink_num is set with the maximum number of supported sink instances (1 - 4) and mst_support is set to zero if MST is not supported and 1 if it is supported.
Example:	<pre>btc_dprx_syslib_info(pmaxsink,pmst);</pre>

9.18. btc_dprx_syslib_init

Prototype:	<pre>int btc_dprx_syslib_init(void)</pre>
Thread-safe:	No
continued...	



Available from ISR:	No
Include:	< btc_dprx_syslib.h >
Return:	0 = success, 1 = fail
Parameters:	No
Description:	This function initializes the system library. It should be invoked once after <code>btc_dprx_syslib_add_rx ()</code> .
Example:	<code>btc_dprx_syslib_init();</code>

Related Information

[btc_dprx_syslib_add_rx](#) on page 132

9.19. btc_dprx_syslib_monitor

Prototype:	<code>int btc_dprx_syslib_monitor(void)</code>
Thread-safe:	No
Available from ISR:	No
Include:	< btc_dprx_syslib.h >
Return:	0 = success, 1 = fail
Parameters:	No
Description:	This function calls the system library sink housekeeping monitor, which is responsible for: <ul style="list-style-type: none">• Handling RX-side received sideband message requests.• Forwarding RX-side sideband message replies. The software should invoke this function periodically or at least every 50 ms.
Example:	<code>btc_dprx_syslib_monitor();</code>

9.20. btc_dprx_mst_link_addr_rep_set

Prototype:	<pre>int btc_dprx_mst_link_addr_rep_set (BYTE rx_idx, BYTE dfp_num, BYTE input_port, BYTE peer_device_type, BYTE messaging_capability_status, BYTE displayport_device_plug_status, BYTE legacy_device_plug_status, BYTE dpcd_revision)</pre>
Thread-safe:	No
Available from ISR:	No
Include:	< btc_dprx_syslib.h >
Return:	0 = success, 1 = fail
Parameters:	<ul style="list-style-type: none">• <code>rx_idx</code>—RX instance index (0 - 3)• <code>dfp_num</code>—Downstream-facing port number (0 - 3)• <code>input_port</code>—Refer to spec 2.11.9.5
<i>continued...</i>	



	<ul style="list-style-type: none"> • peer_device_type—Refer to spec 2.11.9.5 • messaging_capability_status—Refer to spec 2.11.9.5 • displayport_device_plug_status—Refer to spec 2.11.9.5 • legacy_device_plug_status—Refer to spec 2.11.9.5 • dpcd_revision—Refer to spec 2.11.9.5
Description:	This function sets the values used for LINK_ADDRESS_DOWN_REP.

9.21. btc_dprx_mst_conn_stat_notify_req

Prototype:	<pre>int btc_dprx_mst_conn_stat_notify_req (BYTE rx_idx, BYTE dfp_num, BYTE legacy_device_plug_status, BYTE displayport_device_plug_status, BYTE messaging_capability_status, BYTE input_port, BYTE peer_device_type)</pre>
Thread-safe:	No
Available from ISR:	No
Include:	< btc_dprx_syslib.h >
Return:	0 = success, 1 = fail
Parameters:	<ul style="list-style-type: none"> • rx_idx—RX instance index (0 - 3) • dfp_num—Downstream-facing port number (0 - 3) • legacy_device_plug_status—Refer to spec 2.11.9.3 • displayport_device_plug_status—Refer to spec 2.11.9.3 • messaging_capability_status—Refer to spec 2.11.9.5 • input_port—Refer to spec 2.11.9.3 • peer_device_type—Refer to spec 2.11.9.3
Description:	This function issues a CONNECTION_STATUS_NOTIFY_UP_REQUEST MST node broadcast sideband message.
Example:	btc_dprx_mst_conn_stat_notify_req(0, 8, 0, 1, 1, 1, 3);

9.22. btc_dprx_mst_conn_stat_notify_rep

Prototype:	<pre>int btc_dprx_mst_conn_stat_notify_rep (BYTE rx_idx, BYTE *GUID, BYTE *reas_for_nak, BYTE *nak_data)</pre>
Thread-safe:	No
Available from ISR:	No
Include:	< btc_dprx_syslib.h >
Return:	0 = ACK, 1 = NAK, 2 = not ready
continued...	

Parameters:	<ul style="list-style-type: none"> rx_idx—RX instance index (0 - 3) GUID—For NAK replies, GUID originating the NAK reas_for_nak—For NAK replies, reason_for_nak (pointer to 1 byte) nak_data—For NAK replies, nak_data (pointer to 1 byte)
Description:	This function returns the connected Upstream DisplayPort source reply to the last issued CONNECTION_STATUS_NOTIFY_UP_REQUEST MST node broadcast sideband message. Call this function until either ACK or NACK is returned. '2' is returned when the reply has not yet been received.
Example:	<code>btc_dprx_mst_conn_stat_notify_rep(0, p_GUID, p_rfn, p_nd);</code>

9.23. btc_dptx_syslib API Reference

This section provides information about the DisplayPort source system library functions (`btc_dptx_syslib`), including:

- C prototype
- Function description
- Whether the function is thread-safe when running in a multi-threaded environment
- Whether the function can be invoked from an ISR
- Example

9.24. btc_dptx_aux_i2c_read

Prototype:	<pre>int btc_dptx_aux_i2c_read(BYTE tx_idx, BYTE address, BYTE size, BYTE *data, BYTE mot)</pre>
Thread-safe:	No
Available from ISR:	Yes
Include:	< <code>btc_dptx_syslib.h</code> >
Return:	0 = success, 1 = fail
Parameters:	<ul style="list-style-type: none"> tx_idx—Source instance index (0 - 3) address—I²C address size—Number of bytes (1 - 16) data—Pointer to data to be read mot—Middle of transaction (0 or 1)
Description:	This function reads 1 to 16 data bytes from the connected DisplayPort sink's I ² C interface mapped over the AUX channel.
Example:	<code>btc_dptx_aux_i2c_read(0, 0x50, 16, data, 1);</code>

Related Information

[btc_dptx_aux_i2c_write](#) on page 137



9.25. btc_dptx_aux_i2c_write

Prototype:	<pre>int btc_dptx_aux_i2c_write(BYTE tx_idx, BYTE address, BYTE size, BYTE *data, BYTE mot)</pre>
Thread-safe:	No
Available from ISR:	Yes
Include:	< btc_dptx_syslib.h >
Return:	0 = success, 1 = fail
Parameters:	<ul style="list-style-type: none"> tx_idx—Source instance index (0 - 3) address—I²C address size—Number of bytes (1 - 16) data—Pointer to data to be written mot—Middle of transaction (0 or 1)
Description:	This function writes 1 to 16 data bytes to the connected DisplayPort sink's I ² C interface mapped over the AUX channel.
Example:	<code>btc_dptx_aux_i2c_write(0, 0x50, 1, data, 1);</code>

Related Information

[btc_dptx_aux_i2c_read](#) on page 136

9.26. btc_dptx_aux_read

Prototype:	<pre>int btc_dptx_aux_read(BYTE tx_idx, unsigned int address, BYTE size, BYTE *data)</pre>
Thread-safe:	No
Available from ISR:	Yes
Include:	< btc_dptx_syslib.h >
Return:	<ul style="list-style-type: none"> 0 = AUX_ACK replied 1 = Source internal error 2 = Reply timeout 3 = AUX_NACK replied 4 = AUX_DEFER replied 5 = Invalid reply
Parameters	<ul style="list-style-type: none"> tx_idx—Source instance index (0 - 3) address—DPCD start address size—Number of bytes (1 - 16) data—Pointer for data to be read
Description:	This function reads 1 to 16 data bytes from the connected DisplayPort sink's DPCD.
Example:	<code>btc_dptx_aux_read(0, 0x202, 2, &status);</code>

Related Information

[btc_dptx_aux_write](#) on page 138

9.27. btc_dptx_aux_write

Prototype:	<pre>int btc_dptx_aux_write(BYTE tx_idx, unsigned int address, BYTE size, BYTE *data)</pre>
Thread-safe:	No
Available from ISR:	Yes
Include:	< btc_dptx_syslib.h >
Return:	<ul style="list-style-type: none"> 0 = AUX_ACK replied 1 = Source internal error 2 = Reply timeout 3 = AUX_NACK replied 4 = AUX_DEFER replied 5 = Invalid reply
Parameters	<ul style="list-style-type: none"> tx_idx—Source instance index (0 - 3) address—DPCD start address size—Number of bytes (1 - 16) data—Pointer to data to be written
Description:	This function writes 1 to 16 data bytes to the connected DisplayPort sink's DPCD.
Example:	<pre>btc_dptx_aux_write(0, 0x600, 1, data_ptr);</pre>

Related Information

[btc_dptx_aux_read](#) on page 137

9.28. btc_dptx_baseaddr

Prototype:	<pre>unsigned int btc_dptx_baseaddr(BYTE tx_idx)</pre>
Thread-safe:	Yes
Available from ISR:	Yes
Include:	< btc_dptx_syslib.h >
Return:	Base address
Parameters:	tx_idx—Source instance index (0 - 3)
Description:	This function returns the base address of the TX instance connected to the given port number.
Example:	<pre>addr = btc_dptx_baseaddr(0);</pre>



9.29. btc_dptx_edid_block_read

Prototype:	<pre>int btc_dptx_edid_block_read(BYTE tx_idx, BYTE block, BYTE *data)</pre>
Thread-safe:	No
Available from ISR:	Yes
Include:	< btc_dptx_syslib.h >
Return:	0 = success, 1 = fail
Parameters:	<ul style="list-style-type: none"> tx_idx—Source instance index (0 - 3) block—Block number (0 - 3) data—Pointer for data to be read
Description:	Reads one block (128 bytes) from the EDID of the connected DisplayPort sink.
Example:	<code>btc_dptx_edid_block_read(0, 2, pdata);</code>

Related Information

[btc_dptx_edid_read](#) on page 139

9.30. btc_dptx_edid_read

Prototype:	<pre>int btc_dptx_edid_read(BYTE tx_idx, BYTE *data)</pre>
Thread-safe:	No
Available from ISR:	Yes
Include:	< btc_dptx_syslib.h >
Return:	Number of bytes read from EDID (0=fail)
Parameters:	<ul style="list-style-type: none"> tx_idx—Source instance index (0 - 3) data—Pointer for data to be read
Description:	This function reads the complete EDID of the connected DisplayPort sink. data must be able to contain the whole EDID (allow for 512 bytes).
Example:	<code>btc_dptx_edid_read(0, pdata);</code>

Related Information

[btc_dptx_edid_block_read](#) on page 139

9.31. btc_dptx_fast_link_training

Prototype:	<pre>int btc_dptx_fast_link_training(BYTE tx_idx, unsigned int link_rate, unsigned int lane_count, unsigned int volt_swing, unsigned int pre_emph, unsigned int new_cfg)</pre>
Thread-safe:	No
Available from ISR:	Yes
Include:	< btc_dptx_syslib.h >
Return:	0 = success, 1 = fail
Parameters:	<ul style="list-style-type: none"> tx_idx—Source instance index (0 - 3) link_rate—Link rate: 0x06 = 1.62 Gbps; 0x0A = 2.70 Gbps; 0x14 = 5.40 Gbps lane_count—1, 2, or 4 volt_swing—0, 1, 2, or 3 pre_emph—0, 1, 2, or 3 new_cfg—0 = ignore the other parameters; 1 = use provided parameters
Description:	<p>This function performs fast link training with the connected DisplayPort sink. When performing fast link training, the IP outputs training pattern 1 for 1 ms followed by training pattern 2 for 1 ms. The function returns a 1 if link training fails or if the DPCD flag NO_AUX_HANDSHAKE_LINK_TRAINING = 0 (at location 00103h).</p> <ul style="list-style-type: none"> If new_cfg = 1, the IP updates the sink's DPCD with the provided link_rate and lane_count, sets its own transceiver with the provided volt_swing and pre_emph, and then performs fast link training. If new_cfg = 0, the IP uses the current transceiver setting, link rate, and lane count, and performs fast link training.
Example:	<pre>btc_dptx_fast_link_training(0, 0x0A, 4, 1, 0, 1);</pre>

Related Information

[btc_dptx_link_training](#) on page 141

9.32. btc_dptx_hpd_change

Prototype:	<pre>int btc_dptx_hpd_change(BYTE tx_idx, unsigned int asserted)</pre>
Thread-safe:	No
Available from ISR:	Yes
Include:	< btc_dptx_syslib.h >
Return:	None
Parameters:	<ul style="list-style-type: none"> tx_idx—Source instance index (0 - 3) asserted—0=asserted, 1=deasserted
Description:	<p>This function informs the system library that the RX HPD signal state has changed. Invoke after an HPD stable state change (not after an HPD_IRQ)</p>
Example:	<pre>btc_dptx_hpd_change(0, 1);</pre>



9.33. btc_dptx_is_link_up

Prototype:	<code>int btc_dptx_is_link_up(BYTE tx_idx)</code>
Thread-safe:	No
Available from ISR:	Yes
Include:	<code>< btc_dptx_syslib.h ></code>
Return:	0 = link is down, 1 = link is up
Parameters:	<code>tx_idx</code> —Source instance index (0 - 3)
Description:	This function returns "1" if the main link is currently up and correctly link trained.
Example:	<code>btc_dptx_is_link_up(0);</code>

9.34. btc_dptx_link_bw

Prototype:	<code>int btc_dptx_link_bw(BYTE tx_idx)</code>
Thread-safe:	No
Available from ISR:	Yes
Include:	<code>< btc_dptx_syslib.h ></code>
Return:	0 = link is down, >0 = link bandwidth (162-2160 Mbps)
Parameters:	<code>tx_idx</code> —Source instance index (0 - 3)
Description:	This function returns the main link current bandwidth in Mbytes/s
Example:	<code>btc_dptx_link_bw(0);</code>

9.35. btc_dptx_link_training

Prototype:	<code>int btc_dptx_link_training(BYTE tx_idx, unsigned int link_rate, unsigned int lane_count)</code>
Thread-safe:	No
Available from ISR:	Yes
Include:	<code>< btc_dptx_syslib.h ></code>
Return:	0 = success, 1 = fail
Parameters:	<ul style="list-style-type: none"> <code>tx_idx</code>—Source instance index (0 - 3) <code>link_rate</code>—Link rate: 0x06 = 1.62 Gbps; 0x0A = 2.70 Gbps; 0x14 = 5.40 Gbps <code>lane_count</code>—1, 2, or 4
Description:	This function performs link training with the connected DisplayPort sink.
Example:	<code>btc_dptx_link_training(0, 0x06, 4);</code>

9.36. btc_dptx_rtl_ver

Prototype:	<pre>void btc_dptx_rtl_ver(BYTE *major, BYTE *minor, BYTE *rev)</pre>
Thread-safe:	Yes
Available from ISR:	Yes
Include:	< btc_dptx_syslib.h >
Return:	-
Parameters:	<ul style="list-style-type: none"> major—Pointer to major version minor—Pointer to minor version rev—Pointer to revision)
Description:	This function returns the version of the TX core (RTL).
Example:	<code>btc_dptx_rtl_ver(&maj, &min, &rev);</code>

9.37. btc_dptx_set_color_space

Prototype:	<pre>int btc_dptx_set_color_space (BYTE tx_idx, BYTE format, BYTE bpc, BYTE range, BYTE colorimetry, BYTE use_vsc_sdp)</pre>
Thread-safe:	No
Available from ISR:	Yes
Include:	< btc_dptx_syslib.h >
Return:	0 = success, 1 = fail
Parameters:	<ul style="list-style-type: none"> tx_idx—Source instance index (0 - 3) format—0 = RGB; 1 = YCbCr 4:4:4; 2 = YCbCr 4:2:2, 3 = YCbCr 4:2:0 bpc—Color depth: 0 = 6bpc; 1 = 8 bpc; 2 = 10 bpc; 3 = 12 bpc; 4 = 16 bpc range—0 = VESA; 1 = CEA colorimetry—0 = BT601-5; 1 = BT709-5; refer to Table 2–120 bit[3:0] in the <i>VESA DisplayPort Standard version 1.4</i> for all colorimetry support including BT.2020. use_vsc_sdp—0 = use MISC0; 1 = use VSC_SDP <p><i>Note:</i> If you configure use_vsc_sdp to use VSC SDP, refer to the <i>VESA DisplayPort Standard version 1.4</i> for the VSC SDP Payload Pixel Encoding/Colorimetry Format.</p>
Description:	This function sets the color space for TX (stream 0) transmitted video.
Example:	<code>btc_dptx_set_color_space(0, 0, 1, 0, 0, 0);</code>



9.38. btc_dptx_sw_ver

Prototype:	<pre>void btc_dptx_sw_ver(BYTE *major BYTE *minor, BYTE *rev)</pre>
Thread-safe:	Yes
Available from ISR:	Yes
Include:	< btc_dptx_syslib.h >
Return:	-
Parameters:	<ul style="list-style-type: none"> major—Pointer to major version minor—Pointer to minor version rev—Pointer to revision)
Description:	This function returns the version of the TX system library.
Example:	<code>btc_dptx_sw_ver(&maj, &min, &rev);</code>

9.39. btc_dptx_syslib_add_tx

Prototype:	<pre>int btc_dptx_syslib_add_tx(BYTE tx_idx, unsigned int tx_base_addr, unsigned int tx_irq_id, unsigned int tx_irq_num)</pre>
Thread-safe:	No
Available from ISR:	No
Include:	< btc_dptx_syslib.h >
Return:	0 = success, 1 = fail
Parameters:	<ul style="list-style-type: none"> tx_idx—Source instance index (0 - 3) tx_base_addr—TX base address tx_irq_id—TX IRQ ID tx_irq_num—TX IRQ number
Description:	This function declares a source (TX) instance to the system library. It should be invoked once for each existing source instance, starting from tx_idx = 0. After all sources have been declared, invoke <code>btc_dptx_syslib_init ()</code> .
Example:	<code>btc_dptx_syslib_init (0, DP_TX_SOURCE_BASE, DP_TX_SOURCE_IRQ_INTERRUPT_CONTROLLER_ID, DP_TX_SOURCE_IRQ);</code>

9.40. btc_dptx_syslib_init

Prototype:	<pre>int btc_dptx_syslib_init(void)</pre>
Thread-safe:	No
Available from ISR:	No
Include:	< btc_dptx_syslib.h >
<i>continued...</i>	



Return:	0 = success, 1 = fail
Parameters:	None
Description:	Initializes the system library. Should be invoked just once after <code>btc_dptx_syslib_add_tx()</code> .
Example:	<code>btc_dptx_syslib_init ();</code>

9.41. btc_dptx_syslib_monitor

Prototype:	<code>int btc_dptx_syslib_monitor(void)</code>
Thread-safe:	No
Available from ISR:	Yes
Include:	<code>< btc_dptx_syslib.h ></code>
Return:	0 = success, 1 = fail
Parameters:	None
Description:	This function calls the system library source housekeeping monitor. The software should invoke this function periodically or at least every 50 ms.
Example:	<code>btc_dptx_syslib_monitor();</code>

9.42. btc_dptx_test_autom

Prototype:	<code>int btc_dptx_test_autom(BYTE tx_idx)</code>
Thread-safe:	No
Available from ISR:	Yes
Include:	<code>< btc_dptx_syslib.h ></code>
Return:	0 = success, 1 = fail
Parameters:	<code>tx_idx</code> —Source instance index (0 - 3)
Description:	This function handles test automation requests from the connected DisplayPort sink. You should invoke this function after the IP senses an HPD IRQ and identifies it as a test automation request. The function implements <code>TEST_LINK_TRAINING</code> and <code>TEST_EDID_READ</code> .
Example:	<code>btc_dptx_test_autom(0);</code>

9.43. btc_dptx_video_enable

Prototype:	<code>int btc_dptx_video_enable(BYTE tx_idx, BYTE enabled)</code>
Thread-safe:	No

continued...



Available from ISR:	Yes
Include:	< btc_dptx_syslib.h >
Return:	0 = success, 1 = fail
Parameters:	<ul style="list-style-type: none"> tx_idx—Source instance index (0 - 3) enabled—0 = output idle pattern; 1 = output active video
Description:	This function enables the TX to output either active video or an idle pattern. After successful link training, the TX outputs active video by default.
Example:	btc_dptx_video_enable(0, 1);

9.44. btc_dptx_mst_allocate_payload_rep

Prototype:	<pre>int btc_dptx_mst_allocate_payload_rep(BYTE tx_idx, BYTE *GUID, BYTE *reas_for_nak, BYTE *nak_data)</pre>
Thread-safe:	No
Available from ISR:	No
Include:	< btc_dptx_syslib.h >
Return:	0 = ACK, 1 = NACK, 2 = Not ready
Parameters:	<ul style="list-style-type: none"> tx_idx—Source instance index (0 - 3) GUID—For NAK replies, GUID originating the NAK reas_for_nak—For NAK replies, reason_for_nak (pointer to 1 byte) nak_data—For NAK replies, nak_data (pointer to 2 bytes)
Description:	This function returns the connected DisplayPort sink reply to the last issued ALLOCATE_PAYLOAD_DOWN_REQ MST sideband message. Call this function until either ACK or NACK is returned. '2' is returned when the reply has not yet been received.
Example:	btc_dptx_mst_allocate_payload_rep(0, p_GUID, p_rfn, p_nd);

9.45. btc_dptx_mst_allocate_payload_req

Prototype:	<pre>int btc_dptx_mst_allocate_payload_req(BYTE tx_idx, BTC_RAD *RAD, BYTE port_number, BYTE num_sdp_streams, BYTE *sdp_stream_sinks, BYTE vcp_id, unsigned int pbn)</pre>
Thread-safe:	No
Available from ISR:	No
Include:	< btc_dptx_syslib.h >
Return:	0 = success, 1 = fail
continued...	

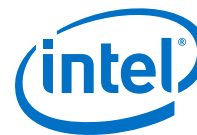
Parameters:	<ul style="list-style-type: none"> tx_idx—Source instance index (0 - 3) RAD—MST Relatives Address of the destination port_number—Downstream device output port number num_sdp_streams—Number of SDP streams routed sdp_stream_sinks—SDP stream sink identifiers, one for each of the SDP streams routed vcp_id—VC Payload ID (1-7, 15) pbn—PBN allocated
Description:	This function issues ALLOCATE_PAYLOAD_DOWN_REQ MST sideband message. Recommended VCP ID values are 1 - 7 for data streams in use, 15 for unused streams.
Example:	<code>btc_dptx_mst_allocate_payload_req(0, aRAD, 9, 2, psss, id, 32);</code>

9.46. btc_dptx_mst_clear_payload_table_rep

Prototype:	<pre>int btc_dptx_mst_clear_payload_table_rep(BYTE tx_idx, BYTE *GUID, BYTE *reas_for_nak, BYTE *nak_data)</pre>
Thread-safe:	No
Available from ISR:	No
Include:	< btc_dptx_syslib.h >
Return:	0 = ACK, 1 = NACK, 2 = Not ready
Parameters:	<ul style="list-style-type: none"> tx_idx—Source instance index (0 - 3) GUID—For NAK replies, GUID originating the NAK reas_for_nak—For NAK replies, reason_for_nak (pointer to 1 byte) nak_data—For NAK replies, nak_data (pointer to 2 bytes)
Description:	This function returns the connected DisplayPort sink reply to the last issued CLEAR_PAYLOAD_ID_TABLE_DOWN_REQ MST sideband message. Call this function until either ACK or NACK is returned. '2' is returned when the reply has not yet been received.
Example:	<code>btc_dptx_mst_clear_payload_table_rep(0, p_GUID, p_rfn, p_nd);</code>

9.47. btc_dptx_mst_clear_payload_table_req

Prototype:	<pre>int btc_dptx_mst_clear_payload_table_req(BYTE tx_idx, BTC_RAD *RAD)</pre>
Thread-safe:	No
Available from ISR:	No
Include:	< btc_dptx_syslib.h >
Return:	0 = success, 1 = fail
<i>continued...</i>	



Parameters:	<ul style="list-style-type: none"> tx_idx—Source instance index (0 - 3) RAD—MST Relative Address of the Destination
Description:	This function issues a CLEAR_PAYLOAD_ID_TABLE_DOWN_REQ MST sideband message.
Example:	<code>btc_dptx_mst_clear_payload_table_req(0, aRAD);</code>

9.48. btc_dptx_mst_conn_stat_notify_req

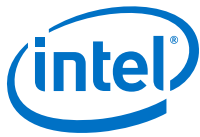
Prototype:	<code>btc_dptx_mst_conn_stat_notify_req(BYTE tx_idx)</code>
Thread-safe:	No
Available from ISR:	No
Include:	< btc_dptx_syslib.h >
Return:	Pointer to UP_REQ data, NULL = none pending
Parameters:	tx_idx—Source instance index (0 - 3)
Description:	This function returns the last pending CONNECTION_STATE_NOTIFY_UP_REQ received, if any.
Example:	<code>btc_dptx_mst_conn_stat_notify_req(0);</code>

9.49. btc_dptx_mst_down_rep_irq

Prototype:	<code>int btc_dptx_mst_down_rep_irq(BYTE tx_idx)</code>
Thread-safe:	No
Available from ISR:	Yes
Include:	< btc_dptx_syslib.h >
Return:	0 = success, 1 = fail
Parameters:	tx_idx —Source instance index (0 - 3)
Description:	This function must be invoked every time the connected DisplayPort sink issues an HPD_IRQ with DOWN_REP_MSG_RDY = 1
Example:	<code>btc_dptx_mst_down_rep_irq(0);</code>

9.50. btc_dptx_mst_enable

Prototype:	<code>int btc_dptx_mst_enable(BYTE tx_idx, BYTE enabled)</code>
Thread-safe:	No
Available from ISR:	No
Include:	< btc_dptx_syslib.h >
<i>continued...</i>	



Return:	None
Parameters:	<ul style="list-style-type: none">tx_idx—Source instance index (0 - 3)enabled—0 = SST framing; 1 = MST framing
Description:	This function enables or disables MST framing. After HW reset framing is set by default to SST.
Example:	<code>btc_dptx_mst_enable(0,1);</code>

9.51. btc_dptx_mst_enum_path_rep

Prototype:	<pre>int btc_dptx_mst_enum_path_rep(BYTE tx_idx, BTC_MST_PATH_PBN *path_pbn BYTE *GUID, BYTE *reas_for_nak, BYTE *nak_data)</pre>
Thread-safe:	No
Available from ISR:	No
Include:	< btc_dptx_syslib.h >
Return:	0 = ACK, 1 = NACK, 2 = Not ready
Parameters:	<ul style="list-style-type: none">tx_idx—Source instance index (0 - 3)path_pbn—Replied dataGUID—For NAK replies, GUID originating the NAKreas_for_nak—For NAK replies, reason_for_nak (pointer to 1 byte)nak_data—For NAK replies, nak_data (pointer to 2 bytes)
Description:	This function returns the connected DisplayPort sink reply to the last issued ENUM_PATH_RESOURCES_DOWN_REQ_MST sideband message. Call this function until either ACK or NACK is returned. '2' is returned when the reply has not yet been received.
Example:	<code>btc_dptx_mst_enum_path_rep(0, p_ppbn, p_GUID, p_rfn, p_nd);</code>

9.52. btc_dptx_mst_enum_path_req

Prototype:	<pre>int btc_dptx_mst_enum_path_req(BYTE tx_idx, BTC_RAD *RAD, BYTE port_number)</pre>
Thread-safe:	No
Available from ISR:	No
Include:	< btc_dptx_syslib.h >
Return:	0 = ACK, 1 = NACK, 2 = Not ready
Parameters:	<ul style="list-style-type: none">tx_idx—Source instance index (0 - 3)RAD—MST Relatives Address of the Destinationport_number—Downstream device output port number
Description:	This function issues a ENUM_PATH_RESOURCES_DOWN_REQ_MST sideband message.
Example:	<code>btc_dptx_mst_enum_path_req(0, aRAD, 9);</code>



9.53. btc_dptx_mst_get_msg_transact_ver_rep

Prototype:	<pre>int btc_dptx_mst_get_msg_transact_ver_rep(BYTE tx_idx, BYTE *version, BYTE *GUID, BYTE *reas_for_nak, BYTE *nak_data)</pre>
Thread-safe:	No
Available from ISR:	No
Include:	< btc_dptx_syslib.h >
Return:	0 = ACK, 1 = NACK, 2 = Not ready
Parameters:	<ul style="list-style-type: none"> tx_idx—Source instance index (0 - 3) version—Replied version number GUID—For NAK replies, GUID originating the NAK reas_for_nak—For NAK replies, reason_for_nak (pointer to 1 byte) nak_data—For NAK replies, nak_data (pointer to 2 bytes)
Description:	This function returns the connected DisplayPort sink reply to the last issued GET_MESSAGE_TRANSACTION_VERSION_DOWN_REQ MST sideband message. Call this function until either ACK or NACK is returned. '2' is returned when the reply has not yet been received.
Example:	<pre>btc_dptx_mst_get_msg_transact_ver_rep (0, &ver, p_GUID, p_rfn, p_nd);</pre>

9.54. btc_dptx_mst_get_msg_transact_ver_req

Prototype:	<pre>int btc_dptx_mst_get_msg_transact_ver_req(BYTE tx_idx, BTC_RAD *RAD, BYTE port_number)</pre>
Thread-safe:	No
Available from ISR:	No
Include:	< btc_dptx_syslib.h >
Return:	0 = success, 1 = fail
Parameters:	<ul style="list-style-type: none"> tx_idx—Source instance index (0 - 3) RAD—MST Relative Address of the destination port_number—Downstream device output port number
Description:	This function issues a GET_MESSAGE_TRANSACTION_VERSION_DOWN_REQ MST sideband message.
Example:	<pre>btc_dptx_mst_get_msg_transact_ver_req(0, aRAD, 9);</pre>

9.55. btc_dptx_mst_link_address_rep

Prototype:	<pre>int btc_dptx_mst_allocate_payload_rep(BYTE tx_idx, BTC_MST_DEVICE *device,</pre>
	<i>continued...</i>



	<pre>BYTE *GUID, BYTE *reas_for_nak, BYTE *nak_data)</pre>
Thread-safe:	No
Available from ISR:	No
Include:	< btc_dptx_syslib.h >
Return:	0 = ACK, 1 = NACK, 2 = Not ready
Parameters:	<ul style="list-style-type: none"> tx_idx—Source instance index (0 - 3) device—Replied data GUID—For NAK replies, GUID originating the NAK reas_for_nak—For NAK replies, reason_for_nak (pointer to 1 byte) nak_data—For NAK replies, nak_data (pointer to 2 bytes)
Description:	This function returns the connected DisplayPort sink reply to the last issued LINK_ADDRESS_DOWN_REQ MST sideband message. Call this function until either ACK or NACK is returned. '2' is returned when the reply has not yet been received.
Example:	<code>btc_dptx_mst_link_address_rep(0, p_dev, p_GUID, p_rfn, p_nd);</code>

9.56. btc_dptx_mst_link_address_req

Prototype:	<pre>int btc_dptx_mst_link_address_req(BYTE tx_idx, BTC_RAD *RAD)</pre>
Thread-safe:	No
Available from ISR:	No
Include:	< btc_dptx_syslib.h >
Return:	0 = success, 1 = fail
Parameters:	<ul style="list-style-type: none"> tx_idx—Source instance index (0 - 3) RAD—MST Relatives Address of the destination
Description:	This function issues a LINK_ADDRESS_DOWN_REQ MST sideband message.
Example:	<code>btc_dptx_mst_link_address_req(0, aRAD);</code>

9.57. btc_dptx_mst_remote_dpdc_wr_rep

Prototype:	<pre>int btc_dptx_mst_remote_dpdc_wr_rep(BYTE tx_idx, BYTE *GUID, BYTE *reas_for_nak, BYTE *nak_data)</pre>
Thread-safe:	No
Available from ISR:	No
Include:	< btc_dptx_syslib.h >
Return:	0 = ACK, 1 = NACK, 2 = Not ready
<i>continued...</i>	



Parameters:	<ul style="list-style-type: none"> tx_idx—Source instance index (0 - 3) GUID—For NAK replies, GUID originating the NAK reas_for_nak—For NAK replies, reason_for_nak (pointer to 1 byte) nak_data—For NAK replies, nak_data (pointer to 2 bytes)
Description:	This function returns the connected DisplayPort sink reply to the last issued REMOTE_DPCD_WRITE_DOWN_REQ_MST sideband message. Call this function until either ACK or NACK is returned. '2' is returned when the reply has not yet been received.
Example:	<code>btc_dptx_mst_remote_dpcd_wr_rep(0, p_GUID, p_rfn, p_nd);</code>

9.58. btc_dptx_mst_remote_dpcd_wr_req

Prototype:	<pre>int btc_dptx_mst_remote_dpcd_wr_req(BYTE tx_idx, BTC_RAD *RAD, BYTE port_number, unsigned int addr, BYTE length, BYTE *data)</pre>
Thread-safe:	No
Available from ISR:	No
Include:	< btc_dptx_syslib.h >
Return:	0 = success, 1 = fail
Parameters:	<ul style="list-style-type: none"> tx_idx—Source instance index (0 - 3) RAD—MST Relative Address of the Destination port_number—Downstream device output port number addr—DPCD address length—Number of bytes to write data—Data to be written
Description:	This function issues a REMOTE_DPCD_WRITE_DOWN_REQ_MST sideband message.
Example:	<code>btc_dptx_mst_remote_dpcd_wr_req(0, aRAD, 9, 0x68000, 1, p_data);</code>

9.59. btc_dptx_mst_remote_i2c_rd_rep

Prototype:	<pre>int btc_dptx_mst_remote_i2c_rd_rep(BYTE tx_idx, BTC_MST_I2C_RD_DATA *data, BYTE *GUID, BYTE *reas_for_nak, BYTE *nak_data)</pre>
Thread-safe:	No
Available from ISR:	No
Include:	< btc_dptx_syslib.h >
Return:	0 = ACK, 1 = NACK, 2 = Not ready
continued...	

Parameters:	<ul style="list-style-type: none"> tx_idx—Source instance index (0 - 3) data—Replied data GUID—For NAK replies, GUID originating the NAK reas_for_nak—For NAK replies, reason_for_nak (pointer to 1 byte) nak_data—For NAK replies, nak_data (pointer to 2 bytes)
Description:	This function returns the connected DisplayPort sink reply to the last issued REMOTE_I2C_READ_DOWN_REQ MST sideband message. Call this function until either ACK or NACK is returned. '2' is returned when the reply has not yet been received.
Example:	<code>btc_dptx_mst_remote_i2c_rd_rep(0, p_buf, p_GUID, p_rfn, p_nd);</code>

9.60. btc_dptx_mst_remote_i2c_rd_req

Prototype:	<pre>int btc_dptx_mst_remote_i2c_rd_req(BYTE tx_idx, BTC_RAD *RAD, BYTE port_number, BYTE num_of_wr_trans, BTC_MST_I2C_WR_TRANS *wr_trans, BYTE rd_i2c_dev_id, BYTE num_of_rd_bytes)</pre>
Thread-safe:	No
Available from ISR:	No
Include:	< btc_dptx_syslib.h >
Return:	0 = success, 1 = fail
Parameters:	<ul style="list-style-type: none"> tx_idx—Source instance index (0 - 3) RAD—MST Relatives Address of the destination port_number—Downstream device output port number num_of_wr_trans—Number of write transactions wr_trans—Array of write transactions rd_i2c_dev_id—Read I²C device identifier num_of_rd_bytes—Number of bytes to read
Description:	This function issues a REMOTE_I2C_READ_DOWN_REQ MST sideband message.
Example:	<code>btc_dptx_mst_remote_i2c_rd_req(0, aRAD, 9, 1, wr_trans, 0x50, 128);</code>

9.61. btc_dptx_mst_set_color_space

Prototype:	<pre>int btc_dptx_mst_set_color_space(BYTE tx_idx, BYTE strm_idx, BYTE format, BYTE bpc, BYTE range, BYTE colorimetry)</pre>
Thread-safe:	No
Available from ISR:	Yes
Include:	< btc_dptx_syslib.h >
Return:	0 = success, 1 = fail
<i>continued...</i>	



Parameters:	<ul style="list-style-type: none"> tx_idx—Source instance index (0 - 3) strm_idx—Stream index (0 - 3) format—0 = RGB; 1 = YCbCr 4:4:4; 2 = YCbCr 4:2:2; 3 = YCbCr 4:2:0 bpc—Color depth: 0 = 6bpc; 1 = 8 bpc; 2 = 10 bpc; 3 = 12 bpc; 4 = 16 bpc range—0 = VESA; 1 = CEA colorimetry—0 = BT601-5; 1 = BT709-5; refer to Table 2-120 bit[3:0] in the <i>VESA DisplayPort Standard version 1.4</i> for all colorimetry support including BT.2020.
Description:	This function sets the color space for video transmitted by a video stream of the TX.
Example:	<code>btc_dptx_mst_set_color_space(0, 0, 0, 1, 0, 0);</code>

9.62. btc_dptx_mst_tavgts_set

Prototype:	<pre>int btc_dptx_mst_tavgts_set(BYTE tx_idx, BYTE strm_idx, BYTE value)</pre>
Thread-safe:	No
Available from ISR:	No
Include:	< btc_dptx_syslib.h >
Return:	0 = success, 1 = fail
Parameters:	<ul style="list-style-type: none"> tx_idx—Source instance index (0 - 3) strm_idx—Stream index (0 - 3) value—Target Average Time Slots value (0-64).
Description:	This function sets Target Average Time Slots value. A value of 64 causes the VCP Fill sequence to occupy every time slot allocated for strm_idx stream.
Example:	<code>btc_dptx_mst_tavgts_set(0, p_ppbn, p_GUID, p_rfn, p_nd);</code>

The Target Average Time Slots value (TAVG_TS) is expressed as the fractional part of the number of time slots per MTU occupied by a stream times 64, assuming that the allocated time slots are the ceiling of this number.

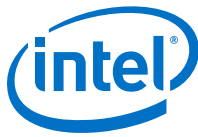
For instance, if 4.7 time slots/MTU are occupied (5 time slots/MTU are allocated in the VCP ID Table):

$$\text{TAVG_TS} = \text{CEIL}(\text{FRAC}(4.7) * 64) = \text{CEIL}(0.7 * 64) = 45$$

If TAVG_TS is set to 64, VCP Fill is produced to each time slot allocated to the stream.

9.63. btc_dptx_mst_up_req_irq

Prototype:	<pre>int btc_dptx_mst_up_req_irq(BYTE tx_idx)</pre>
Thread-safe:	No
Available from ISR:	Yes
Include:	< btc_dptx_syslib.h >
<i>continued...</i>	



Return:	0 = success, 1 = fail
Parameters:	tx_idx—Source instance index (0 - 3)
Description:	This function must be invoked every time the connected DisplayPort sink issues an HPD_IRQ with UP_REQ_MSG_RDY = 1
Example:	<code>btc_dptx_mst_up_req_irq(0);</code>

The system library uses this function to handle MST sideband messages.

9.64. btc_dptx_mst_vcpid_set

Prototype:	<pre>int btc_dptx_mst_vcpid_set(BYTE tx_idx, BYTE strm_idx, BYTE vcpid)</pre>
Thread-safe:	No
Available from ISR:	No
Include:	< btc_dptx_syslib.h >
Return:	0 = success, 1 = fail
Parameters:	<ul style="list-style-type: none">tx_idx—Source instance index (0 - 3)strm_idx—0 = Stream index (0 - 3)vcpid—VC Payload ID (1-7, 15)
Description:	This function sets the VC Payload ID for one stream. Recommended VCP ID values are 1 - 7 for data streams in use, 15 for unused streams.
Example:	<code>btc_dptx_mst_vcpid_set(0,0,1);</code>

9.65. btc_dptx_mst_vcptab_addvc

Prototype:	<pre>int btc_dptx_mst_vcptab_addvc(BYTE tx_idx, BYTE vc_size, BYTE vc_id)</pre>
Thread-safe:	No
Available from ISR:	No
Include:	< btc_dptx_syslib.h >
Return:	0 = success, >0 = index of first time slot allocated
Parameters:	<ul style="list-style-type: none">tx_idx—Source instance index (0 - 3)vc_size—VC size in timeslot (1-63)vc_payload—VC Payload ID (0-7)
Description:	This function allocates a Virtual Channel (VC) in the local VC Payload ID Table. Recommended VCP ID values are 1 - 7 for data streams in use, 0 for unused streams.
Example:	<code>btc_dptx_mst_vcptab_addvc(0,10,2);</code>



9.66. btc_dptx_mst_vcptab_clear

Prototype:	<code>int btc_dptx_mst_vcptab_clear(BYTE tx_idx)</code>
Thread-safe:	No
Available from ISR:	No
Include:	<code>< btc_dptx_syslib.h ></code>
Return:	None
Parameters:	<code>tx_idx</code> —Source instance index (0 - 3)
Description:	This function clears the local VC Payload ID Table and all the VC Payload IDs. All table entries are set to '0' and all the VCP IDs are set to 15.
Example:	<code>btc_dptx_mst_vcptab_clear(0);</code>

9.67. btc_dptx_mst_vcptab_delvc

Prototype:	<code>int btc_dptx_mst_vcptab_delvc(BYTE tx_idx, BYTE vc_id)</code>
Thread-safe:	No
Available from ISR:	No
Include:	<code>< btc_dptx_syslib.h ></code>
Return:	0 = fail, > 0 = index of first time slot deleted
Parameters:	<ul style="list-style-type: none"> <code>tx_idx</code>—Source instance index (0 - 3) <code>vc_id</code>—VC Payload ID (1-7).
Description:	This function deletes a Virtual Channel (VC) from the local VC Payload ID Table. All the VC table entries are set to '0'.
Example:	<code>btc_dptx_mst_vcptab_delvc(0,2);</code>

9.68. btc_dptx_mst_vcptab_update

Prototype:	<code>int btc_dptx_mst_vcptab_update(BYTE tx_idx)</code>
Thread-safe:	No
Available from ISR:	No
Include:	<code>< btc_dptx_syslib.h ></code>
Return:	None
Parameters:	<code>tx_idx</code> —Source instance index (0 - 3)
Description:	This function generates an ACT sequence and then takes into use the current local VC Payload ID Table.
Example:	<code>btc_dptx_mst_vcptab_update(0);</code>

9.69. btc_dptxll_syslib API Reference

This section provides an alphabetically ordered list of all functions in the DisplayPort source link layer system library (`btc_dptxll_syslib`), including:

- C prototype
- Function description
- Whether the function is thread-safe when running in a multi-threaded environment
- Whether the function can be invoked from an ISR
- Example

9.70. btc_dptxll_hpd_change

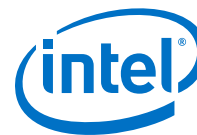
Prototype:	<pre>int btc_dptxll_hpd_change(BYTE tx_idx, unsigned int asserted)</pre>
Thread-safe:	No
Available from ISR:	Yes
Include:	<code>< btc_dptxll_syslib.h ></code>
Return:	0 = success, 1 = fail
Parameters:	<ul style="list-style-type: none"> • <code>tx_idx</code>—Source instance index (0 - 3) • <code>asserted</code>—0 = HPD is now deasserted, 1 = HPD is now asserted
Description:	This function handles an HPD stable status change (not HPD_IRQ) and must be invoked after every HPD stable logical status change.
Example:	<code>btc_dptxll_hpd_change(0,1);</code>

9.71. btc_dptxll_hpd_irq

Prototype:	<pre>int btc_dptxll_hpd_irq(BYTE tx_idx)</pre>
Thread-safe:	No
Available from ISR:	Yes
Include:	<code>< btc_dptxll_syslib.h ></code>
Return:	0 = success, 1 = fail
Parameters:	<code>tx_idx</code> —Source instance index (0 - 3)
Description:	This function handles an HPD_IRQ. Must be invoked every time an HPD_IRQ is detected.
Example:	<code>btc_dptxll_hpd_irq(0);</code>

When `btc_dptxll_hpd_change(1)` is invoked and an MST capable DisplayPort sink device is detected, the topology discovery process is started automatically.

The process performs the following steps:



- Assigns a new GUID to sinks without one.
- Traverses all the topology connected through the DisplayPort sink.
- Adds each port found to the list of discovered ports.
- For each output port with plug status asserted and messaging capabilities, collects full and available PBN.
- Clears the sink VCP ID Table.
- Enables MST framing.

9.72. btc_dptxll_mst_cmp_ports

Prototype:	<pre>int btc_dptxll_mst_cmp_ports(BTC_RAD *A_RAD, BYTE A_port_number, , BTC_RAD *B_RAD, BYTE B_port_number)</pre>
Thread-safe:	No
Available from ISR:	No
Include:	< btc_dptxll_syslib.h >
Return:	0 = A same as B, 1 = B is a child of A, -1 = B is not related to A
Parameters:	<ul style="list-style-type: none"> • A_RAD—MST Relatives Address of port A device • A_port_number—Output port A number • B_RAD—MST Relatives Address of port B device • B_port_number—Output port B number
Description:	This function compares port A and port B and checks if A is B's parent.
Example:	<code>btc_dptxll_mst_cmp_ports(&RAD_A, 1, &RAD_B, 8);</code>

9.73. btc_dptxll_mst_edid_read_rep

Prototype:	<pre>int btc_dptxll_mst_edid_read_rep(BYTE tx_idx, BYTE **edid_data)</pre>
Thread-safe:	No
Available from ISR:	No
Include:	< btc_dptxll_syslib.h >
Return:	0 = success, 1 = fail, 2 = not ready
Parameters:	<ul style="list-style-type: none"> • tx_idx—Source instance index (0 - 3) • edid_data—Pointer to a 512 byte memory block internal to the system library
Description:	This function returns the last EDID read data started by invoking <code>btc_dptxll_mst_edid_read_req()</code> . Call this function until either '0' or '1' is returned. '2' is returned when the operation has not yet completed. When '0' is returned, <code>edid_data</code> is set to the (unique) EDID data buffer internal to the system library. The invoking application is supposed to make a copy of the data, if needed.
Example:	<code>btc_dptxll_mst_edid_read_rep(0, p_data);</code>

9.74. btc_dptxll_mst_edid_read_req

Prototype:	<pre>int btc_dptxll_mst_edid_read_req(BYTE tx_idx, BTC_RAD *device_RAD, BYTE port_number)</pre>
Thread-safe:	No
Available from ISR:	No
Include:	< btc_dptxll_syslib.h >
Return:	0 = success, 1 = busy
Parameters:	<ul style="list-style-type: none"> tx_idx—Source instance index (0 - 3) device_RAD—MST Relative Address of the device port_number—Output port number
Description:	Starts reading of a port's EDID. '1' is returned when a previous EDID read is still ongoing.
Example:	<code>btc_dptxll_mst_edid_read_req(0, &aRAD, 9);</code>

9.75. btc_dptxll_mst_get_device_ports

Prototype:	<pre>int btc_dptxll_mst_get_device_ports(BYTE tx_idx, BTC_MST_DEVPOR *port_list, BYTE *num_of_ports)</pre>
Thread-safe:	No
Available from ISR:	No
Include:	< btc_dptxll_syslib.h >
Return:	0 = success, 1 = fail, 2 = not ready
Parameters:	<ul style="list-style-type: none"> tx_idx—Source instance index (0 - 3) port_list—List of discovered ports num_of_ports—Number of ports discovered
Description:	This function returns the list of device ports found by the last topology discovery process. Call this function until either '0' or '1' is returned. '2' is returned when the operation has not yet completed.
Example:	<code>btc_dptxll_mst_get_device_ports(0, &dev_ports, &num_of_ports);</code>

The topology discovery process starts automatically after an MST capable DisplayPort sink device is connected and function `btc_dptxll_hpd_change(x, 1)` is invoked or when `btc_dptxll_mst_topology_discover()` is invoked.

9.76. btc_dptxll_mst_set_csn_callback

Prototype:	<pre>int btc_dptxll_mst_set_csn_callback(BYTE tx_idx, BTC_MST_CSN_CALLBACK *cback)</pre>
Thread-safe:	No
<i>continued...</i>	



Available from ISR:	No
Include:	< btc_dptxll_syslib.h >
Return:	0 = success, 1 = fail, 2 = not ready
Parameters:	<ul style="list-style-type: none"> tx_idx—Source instance index (0 - 3) cback—Pointer to user callback function
Description:	This function sets the CONNECTION_STATUS_NOTIFY user callback.
Example:	<code>btc_dptxll_mst_set_csn_callback(0, csn_handler);</code>

This function can be invoked right after `btc_dptxll_syslib_init()` by the user application to define a user-provided callback function handling received CONNECTION_STATUS_NOTIFY UP_REQ MST messages.

When the user application invokes `btc_dptxll_syslib_monitor()`, if a CONNECTION_STATUS_NOTIFY has been received, the system library will invoke the user defined callback.

9.77. btc_dptxll_mst_topology_discover

Prototype:	<pre>int btc_dptxll_mst_topology_discover(BYTE tx_idx, BTC_RAD *device_RAD)</pre>
Thread-safe:	No
Available from ISR:	No
Include:	< btc_dptxll_syslib.h >
Return:	0 = success, 1 = busy
Parameters:	<ul style="list-style-type: none"> tx_idx—Source instance index (0 - 3) device_RAD—MST Relative Address of the device to start topology discovery from
Description:	This function starts topology discovery.
Example:	<code>btc_dptxll_mst_topology_discover(0, &RAD);</code>

The process performs the following steps:

- Assigns a new GUID to sinks without one.
- Traverses all the topology connected through device_RAD.
- Adds each port found to the list of discovered ports.
- For each output port with plug status asserted and messaging capabilities, collects full and available PBN.

9.78. btc_dptxll_stream_allocate_rep

Prototype:	<pre>int btc_dptxll_stream_allocate_rep(BYTE tx_idx)</pre>
Thread-safe:	No
<i>continued...</i>	

Available from ISR:	No
Include:	< btc_dptxll_syslib.h >
Return:	0 = success, 1 = fail, 2 = not ready
Parameters:	tx_idx—Source instance index (0 - 3)
Description:	This function checks if the last stream payload allocation was completed successfully. Call this function until either '0' or '1' is returned. '2' is returned when the operation has not yet completed.
Example:	btc_dptxll_stream_allocate_rep(0);

9.79. btc_dptxll_stream_allocate_req

Prototype:	<pre>int btc_dptxll_stream_allocate_req(BYTE tx_idx, BYTE strm_idx, BTC_MST_DEVPOR *dev_port)</pre>
Thread-safe:	No
Available from ISR:	No
Include:	< btc_dptxll_syslib.h >
Return:	0 = success, 1 = fail
Parameters:	<ul style="list-style-type: none"> tx_idx—Source instance index (0 - 3) strm_idx—Stream index (0 - 3) dev_port—Device output port
Description:	This function starts allocating a stream payload to a device port.
Example:	btc_dptxll_stream_allocate_req(0,0,aPort);

This function performs the following steps, for the given stream and device port:

- Sets the stream VCP ID.
- Adds the stream time slots to the local VCP ID Table.
- Adds the stream time slots to the Sink VCP ID Table.
- Generates activation (ACT) sequences until detected by the sink.

9.80. btc_dptxll_stream_calc_VCP_size

Prototype:	<pre>int btc_dptxll_stream_calc_VCP_size(BYTE tx_idx, BYTE strm_idx)</pre>
Thread-safe:	No
Available from ISR:	No
Include:	< btc_dptxll_syslib.h >
Return:	VCP size (0 = error)
continued...	



Parameters:	<ul style="list-style-type: none"> tx_idx—Source instance index (0 - 3) strm_idx—Stream index (0 - 3)
Description:	This function calculates the VCP size (number of time slots) needed to transmit stream strm_idx. btc_dptx11_stream_set_pixel_rate() must have been invoked before in order to define the data bandwidth required. The main link must be up when invoking btc_dptx11_stream_calc_VCP_size().
Example:	btc_dptx11_stream_calc_VCP_size(0,0);

This function calculates the following for the given stream:

- Stream VCP size
- Stream Average Time Slots per MTP
- Stream Max Target Average Time Slots per MTP

A returned VCP size exceeding 63 means that the main link current status (link bitrate and lane count) and the resulting available bandwidth are not enough to transport the stream.

9.81. btc_dptx11_stream_delete_rep

Prototype:	<code>int btc_dptx11_stream_delete_rep(BYTE tx_idx)</code>
Thread-safe:	No
Available from ISR:	No
Include:	< btc_dptx11_syslib.h >
Return:	0 = success, 1 = fail, 2 = not ready
Parameters:	tx_idx—Source instance index (0 - 3)
Description:	This function checks if the last stream payload deletion was completed successfully. Call this function until either '0' or '1' is returned. '2' is returned when the operation has not yet completed.
Example:	btc_dptx11_stream_delete_rep(0);

9.82. btc_dptx11_stream_delete_req

Prototype:	<code>int btc_dptx11_stream_delete_req(BYTE tx_idx, BYTE strm_idx, BTC_RAD *RAD, BYTE port_number)</code>
Thread-safe:	No
Available from ISR:	No
Include:	< btc_dptx11_syslib.h >
Return:	0 = success, 1 = fail
<i>continued...</i>	

Parameters:	<ul style="list-style-type: none"> tx_idx—Source instance index (0 - 3) strm_idx—Stream index (0 - 3) RAD—MST Relatives Address of the device port_number—Output port number
Description:	This function starts deleting a stream payload from a device port.
Example:	<code>btc_dptxll_stream_delete_req(0,0,&aRAD,8);</code>

This function performs the following steps, for the given stream and device port:

- Clears the stream VCP ID
- Deletes the stream time slots from the local VCP ID Table
- Deletes the stream time slots from the Sink VCP ID Table
- Generates activation (ACT) sequences until detected by the sink

9.83. btc_dptxll_stream_get

Prototype:	<pre>BTC_STREAM *btc_dptxll_stream_get(BYTE tx_idx, BYTE strm_idx)</pre>
Thread-safe:	No
Available from ISR:	Yes
Include:	< btc_dptxll_syslib.h >
Return:	Pointer to the stream data
Parameters:	<ul style="list-style-type: none"> tx_idx—Source instance index (0 - 3) strm_idx—Stream index (0 - 3)
Description:	This function returns a pointer to the stream info structure.
Example:	<code>btc_dptxll_stream_get(0,0);</code>

9.84. btc_dptxll_stream_set_color_space

Prototype:	<pre>int btc_dptxll_stream_set_color_space(BYTE tx_idx, BYTE strm_idx, BYTE format, BYTE bpc, BYTE range, BYTE colorimetry)</pre>
Thread-safe:	No
Available from ISR:	No
Include:	< btc_dptxLL_syslib.h >
Return:	0 = success, 1 = fail
Parameters:	<ul style="list-style-type: none"> tx_idx—Source instance index (0 - 3) strm_idx—Stream index (0 - 3) format—0 = RGB; 1 = YCbCr 4:4:4; 2 = YCbCr 4:2:2, 3 = YCbCr 4:2:0
<i>continued...</i>	



	<ul style="list-style-type: none"> • <code>bpc</code>—Color depth: 0 = 6bpc; 1 = 8 bpc; 2 = 10 bpc; 3 = 12 bpc; 4 = 16 bpc • <code>range</code>—0 = VESA; 1 = CEA • <code>colorimetry</code>—0 = BT601-5; 1 = BT709-5; refer to Table 2-120 bit[3:0] in the <i>VESA DisplayPort Standard version 1.4</i> for all colorimetry support including BT.2020.
Description:	This function sets the color space of a video stream.
Example:	<code>btc_dptx11_stream_set_color_space(0,0,0,1,0,0);</code>

9.85. `btc_dptx11_stream_set_pixel_rate`

Prototype:	<pre>int btc_dptx11_stream_set_pixel_rate(BYTE tx_idx, BYTE strm_idx, unsigned int pixel_rate_kpps)</pre>
Thread-safe:	No
Available from ISR:	No
Include:	< <code>btc_dptx11_syslib.h</code> >
Return:	0 = success, 1 = fail
Parameters:	<ul style="list-style-type: none"> • <code>tx_idx</code>—Source instance index (0 - 3) • <code>strm_idx</code>—Stream index (0 - 3) • <code>pixel_rate_kpps</code>—Pixel rate (kilopixels/sec)
Description:	This function sets the pixel rate of a video stream. <code>btc_dptx11_stream_set_color_space()</code> must have been invoked before in order to define the number of bits/pixel required.
Example:	<code>btc_dptx11_stream_set_pixel_rate(0,0,154000);</code>

The function calculates the following for the given stream:

- Peak stream bandwidth
- Stream PBN value

9.86. `btc_dptx11_sw_ver`

Prototype:	<pre>void btc_dptx11_sw_ver(BYTE *major, BYTE *minor, BYTE *rev)</pre>
Thread-safe:	Yes
Available from ISR:	Yes
Include:	< <code>btc_dptx11_syslib.h</code> >
Return:	-
<i>continued...</i>	

Parameters:	<ul style="list-style-type: none"> major—Pointer to major version minor—Pointer to minor version rev—Pointer to revision)
Description:	This function returns the version of the TX link layer system library.
Example:	<code>btc_dptxll_sw_ver(&maj, &min, &rev);</code>

9.87. btc_dptxll_syslib_add_tx

Prototype:	<pre>int btc_dptxll_syslib_add_tx(BYTE tx_idx, unsigned int max_link_rate, unsigned int max_lane_count, unsigned int tx_num_of_sources, BYTE *edid_buf)</pre>
Thread-safe:	No
Available from ISR:	No
Include:	< btc_dptxll_syslib.h >
Return:	0 = success, 1 = fail
Parameters:	<ul style="list-style-type: none"> tx_idx—Source instance index (0 - 3) max_link_rate—Maximum supported link rate. 0x06 = 1.62 Gbps; 0x0A = 2.70 Gbps; 0x14 = 5.40 Gbps max_lane_count—Maximum supported lane count. 1, 2 or 4 tx_num_of_sources—Maximum number of supported MST stream source (1-4) edid_buf—Pointer to a 512 byte user-allocated EDID data buffer. Each source instance requires its own user-allocated EDID buffer to store the EDID of the connected sink
Description:	This function declares a source (TX) instance to the system library. It should be invoked once for each existing source instance, starting from tx_idx = 0. After all sources have been declared, invoke <code>btc_dptxll_syslib_init ()</code> .
Example:	<code>btc_dptxll_syslib_add_tx(0, 0x14, 4, DP_TX_SOURCE_MAX_NUM_OF_STREAMS, p_data);</code>

9.88. btc_dptxll_syslib_init

Prototype:	<pre>int btc_dptxll_syslib_init(void)</pre>
Thread-safe:	No
Available from ISR:	No
Include:	< btc_dptxll_syslib.h >
Return:	0 = success, 1 = fail
Parameters:	None
Description:	Initializes the system library. Should be invoked just once after <code>btc_dptxll_syslib_add_tx()</code> .
Example:	<code>btc_dptxll_syslib_init ();</code>



9.89. btc_dptxll_syslib_monitor

Prototype:	<code>int btc_dptxll_syslib_monitor(void)</code>
Thread-safe:	No
Available from ISR:	No
Include:	<code>< btc_dptxll_syslib.h ></code>
Return:	0 = success, 1 = fail
Parameters:	None
Description:	This is a system library monitoring function. Must be invoked periodically at least every 50 ms.
Example:	<code>btc_dptxll_syslib_monitor();</code>

9.90. btc_dpxx_syslib Additional Types

In addition to the standard ANSI C defined types, `btc_dpxx_syslib` uses the following types:

- `#define BYTE unsigned char`
- `#define NIL 0xffffffff`

9.91. btc_dprx_syslib Supported DPCD Locations

[Sink-Supported DPCD Locations](#) on page 223 provides a list of DPCD locations currently supported in `btc_dprx_syslib` sink instantiations. Read accesses to unsupported locations receive a response of `NATIVE_ACK` with data content set to zero. Write accesses to unsupported locations receive a response of `NATIVE_NACK`.

10. DisplayPort Source Register Map and DPCD Locations

DisplayPort source instantiations require an embedded controller (Nios II processor or another controller) to act as the policy maker.

Table 9–1 describes the notation used to describe the registers.

Table 57. Notation

Shorthand	Definition
RW	Read/write
RO	Read only
WO	Write only
CRO	Clear on read or write, read only
CWO	Clear on read or write, write only

10.1. Source General Registers

This section describes the general registers.

10.1.1. DPTX_TX_CONTROL

The IRQ is asserted when `AUX_IRQ_EN = 1` and in register `DPTX_AUX_CONTROL` flag `MSG_READY = 1`. IRQ is de-asserted by setting `AUX_IRQ_EN` to 0 or reading from `DPTX_AUX_COMMAND`. IRQ is also asserted if `HPD_IRQ_EN = 1` and a new HPD event is detected (`HPD_EVENT` in register `DPTX_TX_STATUS` different from 00). IRQ is de-asserted by setting `HPD_IRQ_EN` to 0 or reading from `DPTX_TX_STATUS`.

Setting `LANE_COUNT` to 00000 causes the transmitter to always send a logical zero (i.e., a constant voltage level). This function can be used as a surrogate for “power down” for link layer compliance testing.

Field `TX_LINK_RATE` drives the respective `tx_reconfig` port.

Address: 0x0000

Direction: RW

Reset: 0x00000000



Table 58. DPTX_TX_CONTROL Bits

Bit	Bit Name	Function
31	HPD_IRQ_EN	Enables an IRQ issued to the Nios II processor on an HPD event: <ul style="list-style-type: none"> 0 = disable 1 = enable
30	AUX_IRQ_EN	Enables an IRQ issued to the Nios II processor when an AUX channel transaction reply is received from the sink: <ul style="list-style-type: none"> 0 = disable 1 = enable
29	Unused	
28:21	TX_LINK_RATE	Main link rate expressed as multiples of 270 Mbps: <ul style="list-style-type: none"> 0x06 = 1.62 Gbps 0x0a = 2.7 Gbps 0x14 = 5.4 Gbps 0x1e = 8.1 Gbps
20	Reserved	Reserved
19	ENHANCED_FRAME	0 = Standard framing 1 = Enhanced framing
18:10	Unused	
9:5	LANE_COUNT	Lane count: <ul style="list-style-type: none"> 00000 = Reserved 00001 = 1 00010 = 2 00100 = 4
4	Unused	
3:0	TP	Current training pattern: <ul style="list-style-type: none"> 0000 = Normal video 0001 = Training pattern 1 (D10.2) 0010 = Training pattern 2 0011 = Training pattern 3 0111 = Training pattern 4 0100 = Video idle pattern 1001 = D10.2 test pattern (same as training pattern 1) 1010 = Symbol error rate measurement pattern 1011 = PRBS7 1100 = 80-bit custom pattern 1101 = HBR2 compliance test pattern (CP2520 pattern 1)

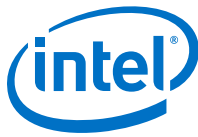
10.1.2. DPTX_TX_STATUS

The IP issues an IRQ to the Nios II processor if the DPTX_TX_CONTROL registers HPD_IRQ_EN is 1 and the IP detects a new HPD event. HPD_EVENT provides information about the event that caused the interrupt. The interrupt and HPD_EVENT bit fields are both cleared by writing to the DPTX_TX_STATUS register.

Address: 0x0001

Direction: CRO

Reset: 0x00000000

**Table 59. DPTX_TX_STATUS Bits**

Bit	Bit Name	Function
31:4	Unused	
3	RESERVED	Reserved
2	HPD_LEVEL	Current HPD logic level
1:0	HPD_EVENT	HPD event causing IRQ (write to clear): <ul style="list-style-type: none">• 00 = No event• 01 = HPD plug event (long HPD)• 10 = HPD IRQ (short HPD)• 11 = Reserved

10.1.3. DPTX_TX_VERSION

Address: 0x0002

Direction: RO

Reset: 0x00000000

Table 60. DPTX_TX_VERSION Bits

Bit	Bit Name	Function
31:24	Major	TX core major version number
23:16	Minor	TX core minor version number
15:0	Revision	TX core revision number

10.2. Source MSA Registers

The MSA registers are allocated at addresses:

- 0x0020 through 0x002f for Stream 0
- 0x0040 through 0x004f for Stream 1
- 0x0060 through 0x006f for Stream 2
- 0x0080 through 0x008f for Stream 3

Note: Only registers for Stream 0 are listed in the following sections.

10.2.1. DPTX0_MSA_MVID

Address: 0x0020

Direction: RO

Reset: 0x00000000

**Table 61. DPTX0_MSA_MVID Bits**

Bit	Bit Name	Function
31:24	Unused	
23:0	MVID	Main stream attribute MVID

10.2.2. DPTX0_MSA_NVID

Address: 0x0021

Direction: RO

Reset: 0x00000000

Table 62. DPTX0_MSA_NVID Bits

Bit	Bit Name	Function
31:24	Unused	
23:0	NVID	Main stream attribute NVID

10.2.3. DPTX0_MSA_HTOTAL

Address: 0x0022

Direction: RO

Reset: 0x00000000

Note: This register is RO if TX_VIDEO_IM_ENABLE = 0 and RW if TX_VIDEO_IM_ENABLE = 1.

Table 63. DPTX0_MSA_HTOTAL Bits

Bit	Bit Name	Function
31:16	Unused	
15:0	HTOTAL	Main stream attribute HTOTAL

10.2.4. DPTX0_MSA_VTOTAL

Address: 0x0023

Direction: RO

Reset: 0x00000000

Note: This register is RO if TX_VIDEO_IM_ENABLE = 0 and RW if TX_VIDEO_IM_ENABLE = 1.

**Table 64. DPTX0_MSA_VTOTAL Bits**

Bit	Bit Name	Function
31:16	Unused	
15:0	VTOTAL	Main stream attribute VTOTAL

10.2.5. DPTX0_MSA_HSP

Address: 0x0024

Direction: RO

Reset: 0x00000000

Note: This register is RO if TX_VIDEO_IM_ENABLE = 0 and RW if TX_VIDEO_IM_ENABLE = 1.

Table 65. DPTX0_MSA_HSP Bits

Bit	Bit Name	Function
31:1	Unused	
0	HSP	Main stream attribute horizontal sync polarity: <ul style="list-style-type: none">• 0 = Positive• 1 = Negative

10.2.6. DPTX0_MSA_HSW

Address: 0x0025

Direction: RO

Reset: 0x00000000

Note: This register is RO if TX_VIDEO_IM_ENABLE = 0 and RW if TX_VIDEO_IM_ENABLE = 1.

Table 66. DPTX0_MSA_HSW Bits

Bit	Bit Name	Function
31:15	Unused	
14:0	HSW	Main stream attribute horizontal sync width

10.2.7. DPTX0_MSA_HSTART

Address: 0x0026

Direction: RO

Reset: 0x00000000

Note: This register is RO if TX_VIDEO_IM_ENABLE = 0 and RW if TX_VIDEO_IM_ENABLE = 1.

**Table 67. DPTX0_MSA_HSTART Bits**

Bit	Bit Name	Function
31:16	Unused	
15:0	HSTART	Main stream attribute HSTART

10.2.8. DPTX0_MSA_VSTART

Address: 0x0027

Direction: RO

Reset: 0x00000000

Note: This register is RO if TX_VIDEO_IM_ENABLE = 0 and RW if TX_VIDEO_IM_ENABLE = 1.

Table 68. DPTX0_MSA_VSTART Bits

Bit	Bit Name	Function
31:16	Unused	
15:0	VSTART	Main stream attribute VSTART

10.2.9. DPTX0_MSA_VSP

Address: 0x0028

Direction: RO

Reset: 0x00000000

Note: This register is RO if TX_VIDEO_IM_ENABLE = 0 and RW if TX_VIDEO_IM_ENABLE = 1.

Table 69. DPTX0_MSA_VSP Bits

Bit	Bit Name	Function
31:1	Unused	
0	VSP	Main stream attribute vertical sync polarity <ul style="list-style-type: none"> 0 = Positive 1 = Negative

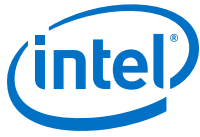
10.2.10. DPTX0_MSA_VSW

Address: 0x0029

Direction: RO

Reset: 0x00000000

Note: This register is RO if TX_VIDEO_IM_ENABLE = 0 and RW if TX_VIDEO_IM_ENABLE = 1.

**Table 70. DPTX0_MSA_VSW Bits**

Bit	Bit Name	Function
31:15	Unused	
14:0	VSW	Main stream attribute vertical sync width

10.2.11. DPTX0_MSA_HWIDTH

Address: 0x002a

Direction: RO

Reset: 0x00000000

Note: This register is RO if TX_VIDEO_IM_ENABLE = 0 and RW if TX_VIDEO_IM_ENABLE = 1.

Table 71. DPTX0_MSA_HWIDTH Bits

Bit	Bit Name	Function
31:16	Unused	
15:0	HWIDTH	Main stream attribute HWIDTH

10.2.12. DPTX0_MSA_VHEIGHT

Address: 0x002b

Direction: RO

Reset: 0x00000000

Note: This register is RO if TX_VIDEO_IM_ENABLE = 0 and RW if TX_VIDEO_IM_ENABLE = 1.

Table 72. DPTX0_MSA_VHEIGHT Bits

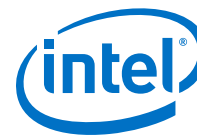
Bit	Bit Name	Function
31:16	Unused	
15:0	VHEIGHT	Main stream attribute VHEIGHT

10.2.13. DPTX0_MSA_MISC0

Address: 0x002c

Direction: RO

Reset: 0x00000000

**Table 73. DPTX0_MSA_MISC0 Bits**

Bit	Bit Name	Function
31:8	Unused	
7:0	MISC0	Main stream attribute MISC0

10.2.14. DPTX0_MSA_MISC1

Address: 0x002d

Direction: RO

Reset: 0x00000000

Table 74. DPTX0_MSA_MISC1 Bits

Bit	Bit Name	Function
31:8	Unused	
7:0	MISC1	Main stream attribute MISC1

10.2.15. DPTX0_MSA_COLOR

Address: 0x002e

Direction: RW

Reset: 0x00000001

Table 75. DPTX0_MSA_COLOR Bits

Bit	Bit Name	Function
31:14	Unused	
13	USE_VSC_SDP	0 = use MISC0 1 = use VSC SDP <i>Note: If you configure this bit to use VSC SDP, refer to the VESA DisplayPort Standard version 1.4 for the VSC SDP Payload Pixel Encoding/Colorimetry Format. Y-Only and Raw format are not supported.</i>
12	DYNAMIC_RANGE	<ul style="list-style-type: none"> 0 = VESA (from 0 to maximum) 1 = CEA range
11:8	COLORIMETRY	<ul style="list-style-type: none"> 0000 = ITU-R BT601-5 0001 = ITU-R BT709-5 <i>Note: Refer to Table 2-120 bit[3:0] in the VESA DisplayPort Standard version 1.4 for all colorimetry support including BT.2020.</i>
continued...		



Bit	Bit Name	Function
7:4	ENCODING	<ul style="list-style-type: none"> • 0000 = RGB • 0001 = YCbCr 4:4:4 • 0010 = YCbCr 4:2:2 • 0011 = YCbCr 4:2:0
3	Unused	
2:0	BPC	Bits per pixel format <ul style="list-style-type: none"> • 000 = 6 bpc • 001 = 8 bpc • 010 = 10 bpc • 011 = 12 bpc • 100 = 16 bpc

10.2.16. DPTX0_VBID

Address: 0x002f

Direction: RO

Reset: 0x00000000

Table 76. DPTX0_VBID Bits

Bit	Bit Name	Function
31:8	Unused	
7	MSA_LOCK	0 = Input video timing unstable 1 = Input video timing stable
6:5	Unused	
4:0	VBID[4:0]	VB-ID flags (refer to the <i>VESA DisplayPort Standard</i>).

10.3. Source Link PHY Control and Status

This section describes the registers for the PHY controls.

10.3.1. DPTX_PRE_VOLT0

These ports drive the respective tx_rcfg_vod and tx_rcfg_emp ports.

Address: 0x0010

Direction: RW

Reset: 0x00000000

Table 77. DPTX_PRE_VOLT0 Bits

Bit	Bit Name	Function
31:4	Unused	
3:2	PRE0	Pre-emphasis output on lane 0
1:0	VOLT0	Voltage swing output on lane 0



10.3.2. DPTX_PRE_VOLT1

These ports drive the respective `tx_rcfg_vod` and `tx_rcfg_emp` ports.

Address: 0x0011

Direction: RW

Reset: 0x00000000

Table 78. DPTX_PRE_VOLT1 Bits

Bit	Bit Name	Function
31:4	Unused	
3:2	PRE1	Pre-emphasis output on lane 1
1:0	VOLT1	Voltage swing output on lane 1

10.3.3. DPTX_PRE_VOLT2

These ports drive the respective `tx_rcfg_vod` and `tx_rcfg_emp` ports.

Address: 0x0012

Direction: RW

Reset: 0x00000000

Table 79. DPTX_PRE_VOLT2 Bits

Bit	Bit Name	Function
31:4	Unused	
3:2	PRE2	Pre-emphasis output on lane 2
1:0	VOLT2	Voltage swing output on lane 2

10.3.4. DPTX_PRE_VOLT3

These ports drive the respective `tx_rcfg_vod` and `tx_rcfg_emp` ports.

Address: 0x0013

Direction: RW

Reset: 0x00000000

Table 80. DPTX_PRE_VOLT3 Bits

Bit	Bit Name	Function
31:4	Unused	
3:2	PRE3	Pre-emphasis output on lane 3
1:0	VOLT3	Voltage swing output on lane 3



10.3.5. DPTX_RECONFIG

RECONFIG_ANALOG drives the tx_analog_reconfig_req while RECONFIG_LINKRATE drives tx_reconfig_req port. GXB_BUSY is indicator of tx_reconfig_busy port.

Address: 0x0014

Direction: RW

Reset: 0x00000000

Table 81. DPTX_RECONFIG Bits

Bit	Bit Name	Function
31	GXB_BUSY	Read-only flag where: <ul style="list-style-type: none">0 = Transceiver is not busy1 = Transceiver is busy
30:2	Unused	
1	RECONFIG_LINKRATE	1 = Reconfigure the transceiver with the link rate in DPTX_TX_CONTROL (TX_LINK_RATE) When you set this bit to 1, it automatically clears (0) after one clock cycle.
0	RECONFIG_ANALOG	1 = Reconfigure transceiver with analog values in DPTX_PRE_VOLT0-3 When you set this bit to 1, it automatically clears (0) after one clock cycle.

10.3.6. DPTX_TEST_80BIT_PATTERN1

Address: 0x0015

Direction: RW

Reset: 0x00000000

Table 82. DPTX_TEST_80BIT_PATTERN1 Bits

Bit	Bit Name	Function
31:0	80BIT_PATTERN1	Bits 31:0 of the 80 bit custom pattern for PHY compliance test.

10.3.7. DPTX_TEST_80BIT_PATTERN2

Address: 0x0016

Direction: RW

Reset: 0x00000000

Table 83. DPTX_TEST_80BIT_PATTERN2 Bits

Bit	Bit Name	Function
31:0	80BIT_PATTERN2	Bits 63:32 of the 80 bit custom pattern for PHY compliance test.



10.3.8. DPTX_TEST_80BIT_PATTERN3

Address: 0x0017

Direction: RW

Reset: 0x00000000

Table 84. DPTX_TEST_80BIT_PATTERN3 Bits

Bit	Bit Name	Function
31:16	Unused	
15:0	80BIT_PATTERN3	Bits 79:64 of the 80 bit custom pattern for PHY compliance test.

10.4. Source Timestamp

The Nios II processor can use this global, free-running counter to generate timestamps and delays. The same counter is used in both sink and source instantiations (DPRX_TIMESTAMP is always equal to DPTX_TIMESTAMP).

Address: 0x001F

Direction: RO

Reset: 0x00000000

Table 85. DPTX_TIMESTAMP Bits

Bit	Bit Name	Function
31:24	Unused	
23:0	TIMESTAMP	Free-running counter value (1 tick equals 100 μ s)

10.5. Source CRC Registers

The CRC registers are allocated at addresses:

- 0x0030 through 0x0032 for Stream 0
- 0x0050 through 0x0052 for Stream 1
- 0x0070 through 0x0072 for Stream 2
- 0x0090 through 0x0092 for Stream 3

Note: Only registers for Stream 0 are listed in the following sections.

DPTX0_CRC_R

Address: 0x0030

Direction: RO

Reset: 0x00000000

Table 86. DPTX0_CRC_R Bits

Bit	Bit Name	Function
31:16	Unused	
15:0	CRC_R	Input video CRC for the red component

DPTX0_CRC_G

Address: 0x0031

Direction: RO

Reset: 0x00000000

Table 87. DPTX0_CRC_G Bits

Bit	Bit Name	Function
31:16	Unused	
15:0	CRC_G	Input video CRC for the green component

DPTX0_CRC_B

Address: 0x0032

Direction: RO

Reset: 0x00000000

Table 88. DPTX0_CRC_B Bits

Bit	Bit Name	Function
31:16	Unused	
15:0	CRC_B	Input video CRC for the blue component

10.6. Source Audio Registers

The Audio registers are allocated at addresses:

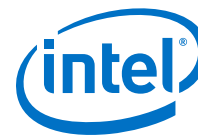
- 0x0033 for Stream 0
- 0x0053 for Stream 1
- 0x0073 for Stream 2
- 0x0093 for Stream 3

Note: Only registers for Stream 0 are listed in the following sections.

Address: 0x002f

Direction: RW

Reset: The maximum number of channels supported minus 1 (0x00000000 – 0x00000007)

**Table 89. DPTX0_AUD_CONTROL Bits**

Bit	Bit Name	Function
31	SOFT_MUTE	1 = Audio is muted 0 = Audio is muted if tx_audio_mute is asserted
30:24	Unused	
17:16	LFEBPL	Audio InfoFrame LFE playback level (LFEBPL, see CEA-861-E specification)
15:8	CA	Audio InfoFrame channel allocation (CA, see CEA-861-E specification)
7:4	LSV	Audio InfoFrame level shift value (LSV, see CEA-861-E specification)
3	DM_INH	Audio InfoFrame down mix inhibit flag (DM_INH, see CEA-861-E specification)
2:0	CH_COUNT	Channel count 000 = 1 channel 001 = 2 channels ... 111 = 8 channels

10.7. Source MST Registers

DPTX_MST_CONTROL1

Address: 0x00a0

Direction: RW

Table 90. DPTX_MST_CONTROL1 Bits

Bit	Bit Name	Function
31	VCPTAB_UPD_FORCE	This flag always reads back at 0. 1 = Force VC payload ID table update
30	VCPTAB_UPD_REQ	This flag always reads back at 0. 1 = Request for VC payload ID table update
29:20	Unused	
19:16	VCP_ID3	VC payload ID for Stream 3
15:12	VCP_ID2	VC payload ID for Stream 2
11:8	VCP_ID1	VC payload ID for Stream 1
7:4	VCP_ID0	VC payload ID for Stream 0
3:1	Unused	
0	MST_EN	Enable or disable MST <ul style="list-style-type: none"> 1 = MST framing 0 = SST framing

When you assert VCPTAB_UPD_FORCE, the source forces the VC payload table contained in DPTX_MST_VCPTAB0 through DPTX_MST_VCPTAB7 to be taken immediately into use. No ACT sequence is generated in this case.



When you assert VCPTAB_UPD_REQ, the source requests to generate an ACT sequence and after that, use the VC payload table contained in DPTX_MST_VCPTAB0 through DPTX_MST_VCPTAB7.

10.7.1. DPTX_MST_VCPTAB0

VC Payload ID Table

Address: 0x00a2

Direction: RW

Reset: 0x00000000

Table 91. DPTX_MST_VCPTAB0 Bits

Bit	Bit Name	Function
31:28	VCPSLOT7	VC payload ID for slot 7
27:24	VCPSLOT6	VC payload ID for slot 6
23:20	VCPSLOT5	VC payload ID for slot 5
19:16	VCPSLOT4	VC payload ID for slot 4
15:12	VCPSLOT3	VC payload ID for slot 3
11:8	VCPSLOT2	VC payload ID for slot 2
7:4	VCPSLOT1	VC payload ID for slot 1
3:0	Reserved	Reserved

10.7.2. DPTX_MST_VCPTAB1

VC Payload ID Table

Address: 0x00a3

Direction: RW

Reset: 0x00000000

Table 92. DPTX_MST_VCPTAB1 Bits

Bit	Bit Name	Function
31:28	VCPSLOT15	VC payload ID for slot 15
27:24	VCPSLOT14	VC payload ID for slot 14
23:20	VCPSLOT13	VC payload ID for slot 13
19:16	VCPSLOT12	VC payload ID for slot 12
15:12	VCPSLOT11	VC payload ID for slot 11
11:8	VCPSLOT10	VC payload ID for slot 10
7:4	VCPSLOT9	VC payload ID for slot 9
3:0	VCPSLOT8	VC payload ID for slot 8



10.7.3. DPTX_MST_VCPTAB2

VC Payload ID Table

Address: 0x00a4

Direction: RW

Reset: 0x00000000

Table 93. DPTX_MST_VCPTAB2 Bits

Bit	Bit Name	Function
31:28	VCPSLOT23	VC payload ID for slot 23
27:24	VCPSLOT22	VC payload ID for slot 22
23:20	VCPSLOT21	VC payload ID for slot 21
19:16	VCPSLOT20	VC payload ID for slot 20
15:12	VCPSLOT19	VC payload ID for slot 19
11:8	VCPSLOT18	VC payload ID for slot 18
7:4	VCPSLOT17	VC payload ID for slot 17
3:0	VCPSLOT16	VC payload ID for slot 16

10.7.4. DPTX_MST_VCPTAB3

VC Payload ID Table

Address: 0x00a5

Direction: RW

Reset: 0x00000000

Table 94. DPTX_MST_VCPTAB3 Bits

Bit	Bit Name	Function
31:28	VCPSLOT31	VC payload ID for slot 31
27:24	VCPSLOT30	VC payload ID for slot 30
23:20	VCPSLOT29	VC payload ID for slot 29
19:16	VCPSLOT28	VC payload ID for slot 28
15:12	VCPSLOT27	VC payload ID for slot 27
11:8	VCPSLOT26	VC payload ID for slot 26
7:4	VCPSLOT25	VC payload ID for slot 25
3:0	VCPSLOT24	VC payload ID for slot 24

10.7.5. DPTX_MST_VCPTAB4

VC Payload ID Table



Address: 0x00a6

Direction: RW

Reset: 0x00000000

Table 95. DPTX_MST_VCPTAB4 Bits

Bit	Bit Name	Function
31:28	VCPSLOT39	VC payload ID for slot 39
27:24	VCPSLOT38	VC payload ID for slot 38
23:20	VCPSLOT37	VC payload ID for slot 37
19:16	VCPSLOT36	VC payload ID for slot 36
15:12	VCPSLOT35	VC payload ID for slot 35
11:8	VCPSLOT34	VC payload ID for slot 34
7:4	VCPSLOT33	VC payload ID for slot 33
3:0	VCPSLOT32	VC payload ID for slot 32

10.7.6. DPTX_MST_VCPTAB5

VC Payload ID Table

Address: 0x00a7

Direction: RW

Reset: 0x00000000

Table 96. DPTX_MST_VCPTAB5 Bits

Bit	Bit Name	Function
31:28	VCPSLOT47	VC payload ID for slot 47
27:24	VCPSLOT46	VC payload ID for slot 46
23:20	VCPSLOT45	VC payload ID for slot 45
19:16	VCPSLOT44	VC payload ID for slot 44
15:12	VCPSLOT43	VC payload ID for slot 43
11:8	VCPSLOT42	VC payload ID for slot 42
7:4	VCPSLOT41	VC payload ID for slot 41
3:0	VCPSLOT40	VC payload ID for slot 40

10.7.7. DPTX_MST_VCPTAB6

VC Payload ID Table

Address: 0x00a8

Direction: RW



Reset: 0x00000000

Table 97. DPTX_MST_VCPTAB6 Bits

Bit	Bit Name	Function
31:28	VCPSLOT55	VC payload ID for slot 55
27:24	VCPSLOT54	VC payload ID for slot 54
23:20	VCPSLOT53	VC payload ID for slot 53
19:16	VCPSLOT52	VC payload ID for slot 52
15:12	VCPSLOT51	VC payload ID for slot 51
11:8	VCPSLOT50	VC payload ID for slot 50
7:4	VCPSLOT49	VC payload ID for slot 49
3:0	VCPSLOT48	VC payload ID for slot 48

10.7.8. DPTX_MST_VCPTAB7

VC Payload ID Table

Address: 0x00a9

Direction: RW

Reset: 0x00000000

Table 98. DPTX_MST_VCPTAB7 Bits

Bit	Bit Name	Function
31:28	VCPSLOT63	VC payload ID for slot 63
27:24	VCPSLOT62	VC payload ID for slot 62
23:20	VCPSLOT61	VC payload ID for slot 61
19:16	VCPSLOT60	VC payload ID for slot 60
15:12	VCPSLOT59	VC payload ID for slot 59
11:8	VCPSLOT58	VC payload ID for slot 58
7:4	VCPSLOT57	VC payload ID for slot 57
3:0	VCPSLOT56	VC payload ID for slot 56

10.7.9. DPTX_MST_TAVG_TS

Target Average Time Slots

Address: 0x00aa

Direction: RW

Reset: 0x40404040

Table 99. DPTX_MST_TAVG_TS Bits

Bit	Bit Name	Function
31	Unused	
30:24	TAVG_TS3	Target Average Time Slots for Stream 3
23	Unused	
22:16	TAVG_TS2	Target Average Time Slots for Stream 2
15	Unused	
14:8	TAVG_TS1	Target Average Time Slots for Stream 1
7	Unused	
6:0	TAVG_TS0	Target Average Time Slots for Stream 0

TAVG_TS_x is expressed as the fractional part of the number of time slots per MTU occupied by Stream *x* times 64; assuming the allocated time slots are the ceiling of this number. For example, if 4.7 time slots/MTU are occupied (5 time slots/MTU are allocated in the VCP ID table).

$$TAVG_TS_x = \text{CEIL}(\text{FRAC}(4.7) * 64) = \text{CEIL}(0.7 * 64) = 45$$

The achieved precision for Target Average Time Slots regulation is $1/64 = 0.015625$.

If TAVG_TS_x is set to a value greater than 63, VCP fill is sent to each allocated time slot.

10.8. Source AUX Controller Interface

This section describes the registers that connect with the AUX controller interface.

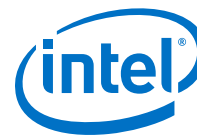
10.8.1. DPTX_AUX_CONTROL

For transaction requests:

1. Wait for `READY_TO_TX` to be 1.
2. Write registers `DPTX_AUX_COMMAND` to `DPTX_AUX_BYTE18` with the transaction command, address, length (0 – 15) fields, and data payload.
3. Write `LENGTH` with the transaction’s total message length (3 for header + 1 for length byte + 0 to 16 for data bytes).
4. The request transmission begins.

For transaction replies:

1. Issue a transaction request.
2. Wait for `MSG_READY` to be 1. Implement a timeout.
3. Read the transaction reply’s total length from `LENGTH`.
4. Read the transaction reply’s command from the `DPTX_AUX_COMMAND` register. This transaction clears `MSG_READY` and `LENGTH`.
5. Read the transaction reply’s data payload from registers `DPTX_AUX_BYTE0` to `DPTX_AUX_BYTE15` (read `LENGTH - 1` bytes).



10. DisplayPort Source Register Map and DPCD Locations

UG-01131 | 2020.06.22

Address: 0x0100

Direction: RW

Reset: 0x00000000

Table 100. DPTX_AUX_CONTROL Bits

Bit	Bit Name	Function
31	MSG_READY	0 = Waiting for a reply 1 = A reply has been completely received
30	READY_TO_TX	0 = Busy sending a request or waiting for a reply 1 = Ready to send a request
29:5	Unused	
4:0	LENGTH	For the next transaction request, total length of message to be transmitted (3 – 20), for the last received transaction reply, total length of message received (1 – 17).

10.8.2. DPTX_AUX_COMMAND

Address: 0x0101

Direction: RW

Reset: 0x00000000

Table 101. DPTX_AUX_COMMAND Bits

Bit	Bit Name	Function
31:8	Unused	
7:4	COMMAND	AUX transaction command for the next request or received in the most recent reply (refer to the <i>VESA DisplayPort Standard</i> for details). Reading of this register clears MSG_READY and LENGTH in DPTX_AUX_CONTROL register.
3:0	BYTE	Transaction address[19:16] for the next request.

10.8.3. DPTX_AUX_BYTE0

AUX Transaction Byte 0 Register.

Address: 0x0102

Direction: RW

Reset: 0x00000000

Table 102. DPTX_AUX_BYTE0 Bits

Bit	Bit Name	Function
31:8	Unused	
7:0	BYTE	Transaction address [15:8] for the next request, or data(0) received in the last reply



10.8.4. DPTX_AUX_BYTE1

AUX Transaction Byte 1 Register.

Address: 0x0103

Direction: RW

Reset: 0x00000000

Table 103. DPTX_AUX_BYTE1 Bits

Bit	Bit Name	Function
31:8	Unused	
7:0	BYTE	Transaction address [7:0] for the next request, or data(1) received in the last reply

10.8.5. DPTX_AUX_BYTE2

AUX Transaction Byte 2 Register.

Address: 0x0104

Direction: RW

Reset: 0x00000000

Table 104. DPTX_AUX_BYTE2 Bits

Bit	Bit Name	Function
31:8	Unused	
7:0	BYTE	Transaction length[3:0] for the next request, or data(2) received in the last reply (refer to the <i>VESA DisplayPort Standard</i> for details)

10.8.6. DPTX_AUX_BYTE3

AUX Transaction Byte 3 Register.

Address: 0x0105

Direction: RW

Reset: 0x00000000

Table 105. DPTX_AUX_BYTE3 Bits

Bit	Bit Name	Function
31:8	Unused	
7:0	BYTE	Transaction data(0) for the next request, or data(3) received in the last reply



10.8.7. DPTX_AUX_BYTE4

AUX Transaction Byte 4 Register.

Address: 0x0106

Direction: RW

Reset: 0x00000000

Table 106. DPTX_AUX_BYTE4 Bits

Bit	Bit Name	Function
31:8	Unused	
7:0	BYTE	Transaction data(1) for the next request, or data(4) received in the last reply

10.8.8. DPTX_AUX_BYTE5

AUX Transaction Byte 5 Register.

Address: 0x0107

Direction: RW

Reset: 0x00000000

Table 107. DPTX_AUX_BYTE5 Bits

Bit	Bit Name	Function
31:8	Unused	
7:0	BYTE	Transaction data(2) for the next request, or data(5) received in the last reply

10.8.9. DPTX_AUX_BYTE6

AUX Transaction Byte 6 Register.

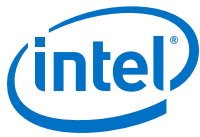
Address: 0x0108

Direction: RW

Reset: 0x00000000

Table 108. DPTX_AUX_BYTE6 Bits

Bit	Bit Name	Function
31:8	Unused	
7:0	BYTE	Transaction data(3) for the next request, or data(6) received in the last reply



10.8.10. DPTX_AUX_BYTE7

AUX Transaction Byte 7 Register.

Address: 0x0109

Direction: RW

Reset: 0x00000000

Table 109. DPTX_AUX_BYTE7 Bits

Bit	Bit Name	Function
31:8	Unused	
7:0	BYTE	Transaction data(4) for the next request, or data(7) received in the last reply

10.8.11. DPTX_AUX_BYTE8

AUX Transaction Byte 8 Register.

Address: 0x010a

Direction: RW

Reset: 0x00000000

Table 110. DPTX_AUX_BYTE8 Bits

Bit	Bit Name	Function
31:8	Unused	
7:0	BYTE	Transaction data(5) for the next request, or data(8) received in the last reply

10.8.12. DPTX_AUX_BYTE9

AUX Transaction Byte 9 Register.

Address: 0x010b

Direction: RW

Reset: 0x00000000

Table 111. DPTX_AUX_BYTE9 Bits

Bit	Bit Name	Function
31:8	Unused	
7:0	BYTE	Transaction data(6) for the next request, or data(9) received in the last reply



10.8.13. DPTX_AUX_BYTE10

AUX Transaction Byte 10 Register.

Address: 0x010c

Direction: RW

Reset: 0x00000000

Table 112. DPTX_AUX_BYTE10 Bits

Bit	Bit Name	Function
31:8	Unused	
7:0	BYTE	Transaction data(7) for the next request, or data(10) received in the last reply

10.8.14. DPTX_AUX_BYTE11

AUX Transaction Byte 11 Register.

Address: 0x010d

Direction: RW

Reset: 0x00000000

Table 113. DPTX_AUX_BYTE11 Bits

Bit	Bit Name	Function
31:8	Unused	
7:0	BYTE	Transaction data(8) for the next request, or data(11) received in the last reply

10.8.15. DPTX_AUX_BYTE12

AUX Transaction Byte 12 Register.

Address: 0x010e

Direction: RW

Reset: 0x00000000

Table 114. DPTX_AUX_BYTE12 Bits

Bit	Bit Name	Function
31:8	Unused	
7:0	BYTE	Transaction data(9) for the next request, or data(12) received in the last reply



10.8.16. DPTX_AUX_BYTE13

AUX Transaction Byte 13 Register.

Address: 0x010f

Direction: RW

Reset: 0x00000000

Table 115. DPTX_AUX_BYTE13 Bits

Bit	Bit Name	Function
31:8	Unused	
7:0	BYTE	Transaction data(10) for the next request, or data(13) received in the last reply

10.8.17. DPTX_AUX_BYTE14

AUX Transaction Byte 14 Register.

Address: 0x0110

Direction: RW

Reset: 0x00000000

Table 116. DPTX_AUX_BYTE14 Bits

Bit	Bit Name	Function
31:8	Unused	
7:0	BYTE	Transaction data(11) for the next request, or data(14) received in the last reply

10.8.18. DPTX_AUX_BYTE15

AUX Transaction Byte 15 Register.

Address: 0x0111

Direction: RW

Reset: 0x00000000

Table 117. DPTX_AUX_BYTE15 Bits

Bit	Bit Name	Function
31:8	Unused	
7:0	BYTE	Transaction data(12) for the next request, or data(15) received in the last reply



10.8.19. DPTX_AUX_BYTE16

AUX Transaction Byte 16 Register.

Address: 0x0112

Direction: RW

Reset: 0x00000000

Table 118. DPTX_AUX_BYTE16 Bits

Bit	Bit Name	Function
31:8	Unused	
7:0	BYTE	Transaction data(13) for the next request

10.8.20. DPTX_AUX_BYTE17

AUX Transaction Byte 17 Register.

Address: 0x0113

Direction: RW

Reset: 0x00000000

Table 119. DPTX_AUX_BYTE17 Bits

Bit	Bit Name	Function
31:8	Unused	
7:0	BYTE	Transaction data(14) for the next request

10.8.21. DPTX_AUX_BYTE18

AUX Transaction Byte 18 Register.

Address: 0x0114

Direction: RW

Reset: 0x00000000

Table 120. DPTX_AUX_BYTE18 Bits

Bit	Bit Name	Function
31:8	Unused	
7:0	BYTE	Transaction data(15) for the next request

10.8.22. DPTX_AUX_RESET

Address: 0x0117

Direction: WO



Reset: 0x00000000

Table 121. DPTX_AUX_RESET Bits

Bit	Bit Name	Function
31:1	Unused	
0	CLEAR	Asserting CLEAR resets the AUX Controller state machine: <ul style="list-style-type: none"> • 0 = No action • 1 = AUX Controller reset

10.9. Source-Supported DPCD Locations

The following table describes the DPCD locations (or location groups) that are supported in DisplayPort source instantiations.

Table 122. DPCD Locations

Location Name	Address
DPCD_REV	0x0000
MAX_LINK_RATE	0x0001
MAX_LANE_COUNT	0x0002
TRAINING_AUX_RD_INTERVAL	0x000E
MST_CAP	0x0021
GUID	0x0030
LINK_BW_SET	0x0100
LANE_COUNT_SET	0x0101
TRAINING_PATTERN_SET	0x0102
TRAINING_LANE0_SET	0x0103
TRAINING_LANE1_SET	0x0104
TRAINING_LANE2_SET	0x0105
TRAINING_LANE3_SET	0x0106
DOWNSPREAD_CTRL	0x0107
MSTM_CTRL	0x0111
PAYLOAD_ALLOCATE_SET	0x01C0
PAYLOAD_ALLOCATE_START_TIME_SLOT	0x01C1
PAYLOAD_ALLOCATE_TIME_SLOT_COUNT	0x01C2
SINK_COUNT	0x0200
DEVICE_SERVICE_IRQ_VECTOR	0x0201
LANE0_1_STATUS	0x0202
LANE2_3_STATUS	0x0203
LANE_ALIGN_STATUS_UPDATED	0x0204

continued...

10. DisplayPort Source Register Map and DPCD Locations

UG-01131 | 2020.06.22



Location Name	Address
SINK_STATUS	0x0205
ADJUST_REQUEST_LANE0_1	0x0206
ADJUST_REQUEST_LANE2_3	0x0207
SYMBOL_ERROR_COUNT_LANE0	0x0210
SYMBOL_ERROR_COUNT_LANE1	0x0212
SYMBOL_ERROR_COUNT_LANE2	0x0214
SYMBOL_ERROR_COUNT_LANE3	0x0216
TEST_REQUEST	0x0218
TEST_LINK_RATE	0x0219
TEST_LANE_COUNT	0x0220
PHY_TEST_PATTERN	0x0248
TEST_80BIT_CUSTOM_PATTERN (0x0250 to 0x0259)	0x0250
TEST_RESPONSE	0x0260
TEST_EDID_CHECKSUM	0x0261
PAYLOAD_TABLE_UPDATE_STATUS	0x02C0
VC_PAYLOAD_ID_SLOT_1 (0x02C1 to 0x02FF)	0x02C1
SET_POWER_STATE	0x0600
DOWN_REQ (0x1000 to 0x102F)	0x1000
UP_REQ (0x1200 to 0x122F)	0x1200
DOWN_REQ (0x1400 to 0x142F)	0x1400
UP_REQ (0x1600 to 0x162F)	0x1600

11. DisplayPort Sink Register Map and DPCD Locations

DisplayPort sink instantiations greatly benefit from and may optionally use an embedded controller (Nios II processor or another controller). This section describes the register map.

Table 123. Notation

Shorthand	Definition
RW	Read/write
RO	Read only
WO	Write only
CRO	Clear on read or write, read only
CWO	Clear on read or write, write only

11.1. Sink General Registers

This section describes the general registers.

11.1.1. DPRX_RX_CONTROL

RECONFIG_LINKRATE drives the `rx_reconfig_req`. `RX_LINK_RATE` drives `rx_link_rate`.

Address: 0x0000

Direction: RW

Reset: 0x00000000

Table 124. DPRX_RX_CONTROL Bits

Bit	Bit Name	Function
31:30	Unused	
29	LQA_ACTIVE	<ul style="list-style-type: none"> 0 = Link Quality Analysis (also known as Post-Link Training Adjust Request) not used 1 = Link Quality Analysis (also known as Post-Link Training Adjust Request) in progress
28	BLACK_VIDEO_EN	<ul style="list-style-type: none"> 0 = Stream 0 receives video output normally 1 = Stream 0 receives video output with all colors set to black
27:24	Unused	

continued...

11. DisplayPort Sink Register Map and DPCD Locations

UG-01131 | 2020.06.22



Bit	Bit Name	Function
23:16	RX_LINK_RATE	Main link rate expressed as multiples of 270 Mbps: <ul style="list-style-type: none"> • 0x06 = 1.62 Gbps • 0x0a = 2.7 Gbps • 0x14 = 5.4 Gbps • 0x1e = 8.1 Gbps
15:14	Unused	
13	RECONFIG_LINKRATE	This flag always reads back at 0. 1 = Reconfigure the transceiver with link rate RX_LINK_RATE
12	Unused	
11	GXB_RESET	<ul style="list-style-type: none"> • 0 = Sink transceiver enabled • 1 = Sink transceiver reset
10:8	TP	Current training pattern: <ul style="list-style-type: none"> • 000 = Normal video • 001 = Training pattern 1 • 010 = Training pattern 2 • 011 = Training pattern 3 • 111 = Training pattern 4
7	SCRAMBLER_DISABLE	<ul style="list-style-type: none"> • 0 = Scrambler enabled • 1 = Scrambler disabled
6:5	Unused	
4:0	LANE_COUNT	Lane count: <ul style="list-style-type: none"> • 0001 = 1 • 0010 = 2 • 00100 = 4

11.1.2. DPRX_RX_STATUS

GXB_BUSY connects to the rx_reconfig_busy input port.

Address: 0x0001

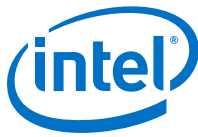
Direction: CRO

Reset: 0x00000000

Table 125. DPRX_RX_STATUS Bits

Bit	Bit Name	Function
31:18	Unused	
17	GXB_BUSY	<ul style="list-style-type: none"> • 0 = Transceiver not busy • 1 = Transceiver busy
16	SYNC_LOSS	This flag can be reset by writing it to 1: <ul style="list-style-type: none"> • 0 = Symbol lock on all lanes in use • 1 = Symbol lock lost on one or more of the used lanes
15:9	Unused	
8	INTERLANE_ALIGN	<ul style="list-style-type: none"> • 0 = Inter-lane alignment not achieved • 1 = Inter-lane alignment achieved

continued...



Bit	Bit Name	Function
7	SYM_LOCK3	0 = Symbol unlocked (lane 3) 1 = Symbol locked (lane 3)
6	SYM_LOCK2	0 = Symbol unlocked (lane 2) 1 = Symbol locked (lane 2)
5	SYM_LOCK1	0 = Symbol unlocked (lane 1) 1 = Symbol locked (lane 1)
4	SYM_LOCK0	0 = Symbol unlocked (lane 0) 1 = Symbol locked (lane 0)
3	CR_LOCK3	0 = Clock unlocked (lane 3) 1 = Clock locked (lane 3)
2	CR_LOCK2	0 = Clock unlocked (lane 2) 1 = Clock locked (lane 2)
1	CR_LOCK1	0 = Clock unlocked (lane 1) 1 = Clock locked (lane 1)
0	CR_LOCK0	0 = Clock unlocked (lane 0) 1 = Clock locked (lane 0)

11.1.3. DPRX_BER_CONTROL

Address: 0x0002

Direction: CRW

Reset: 0x00000000

Note: When PHY_SINK_TEST_LANE_EN equals 1, CR_LOCK and SYM_LOCK bits (register DPRX_RX_STATUS) are forced to 1 for lanes that are not being tested.

Table 126. DPRX_BER_CONTROL Bits

Bit	Bit Name	Function
31:28	Unused	
27	RSTI3	Writing this bit at 1 resets lane 3 bit-error counter in register DPRX_BER_CNTI1. Always reads as '0'.
26	RSTI2	Writing this bit at 1 resets lane 2 bit-error counter in register DPRX_BER_CNTI1. Always reads as '0'.
25	RSTI1	Writing this bit at 1 resets lane 1 bit-error counter in register DPRX_BER_CNTI0. Always reads as '0'.
24	RSTI0	Writing this bit at 1 resets lane 0 bit-error counter in register DPRX_BER_CNTI0. Always reads as '0'.
23	Unused	
22:21	PHY_SINK_TEST_LANE_SEL	Specifies the lane that is being tested, when PHY_SINK_TEST_LANE_EN is 1, <ul style="list-style-type: none"> • 00 = Lane 0 • 01 = Lane 1 • 10 = Lane 2 • 11 = Lane 3

continued...



Bit	Bit Name	Function
20	PHY_SINK_TEST_LANE_EN	Writing this bit at 1 enables single lane PHY test, Write 0 to disable single lane PHY test.
19	RST3	Writing this bit at 1 resets the lane 3 bit-error counter in register DPRX_BER_CNT1. Always reads as 0.
18	RST2	Writing this bit at 1 resets the lane 2 bit-error counter in register DPRX_BER_CNT1. Always reads as 0.
17	RST1	Writing this bit at 1 resets lane 1 bit-error counter in register DPRX_BER_CNT0. Always reads as 0.
16	RST0	Writing this bit at 1 resets lane 0 bit-error counter in register DPRX_BER_CNT0. Always reads as 0.
15:14	Unused	
13:11	PATT3	Pattern selection for lane 3: <ul style="list-style-type: none"> • 000 = No test pattern (normal mode) • 011 = PRBS7 • 101 = HBR2Compliance EYE pattern
10:8	PATT2	Pattern selection for lane 2: <ul style="list-style-type: none"> • 000 = No test pattern (normal mode) • 011 = PRBS7 • 101 = HBR2 Compliance EYE pattern
7:5	PATT1	Pattern selection for lane 1: <ul style="list-style-type: none"> • 000 = No test pattern (normal mode) • 011 = PRBS7 • 101 = HBR2 Compliance EYE pattern
4:2	PATT0	Pattern selection for lane 0: <ul style="list-style-type: none"> • 000 = No test pattern (normal mode) • 011 = PRBS7 • 101 = HBR2 Compliance EYE pattern
1:0	CNTSEL	Count selection: <ul style="list-style-type: none"> • 00 = Disparity and code error counts • 01 = Disparity error counts • 10 = Code error counts • 11 = Reserved

11.1.4. DPRX_BER_CNT0

These registers are exposed in DPCD locations SYMBOL_ERROR_COUNT_LANE0 and SYMBOL_ERROR_COUNT_LANE1.

Address: 0x0003

Direction: RO

Reset: 0x00000000

Table 127. DPRX_RX_STATUS Bits

Bit	Bit Name	Function
31	Unused	
30:16	CNT1	Symbol error counter for lane 1
15	Unused	
14:0	CNT0	Symbol error counter for lane 0

11.1.5. DPRX_BER_CNT1

These registers are exposed in DPCD locations SYMBOL_ERROR_COUNT_LANE2 and SYMBOL_ERROR_COUNT_LANE3.

Address: 0x0004

Direction: RO

Reset: 0x00000000

Table 128. DPRX_RX_STATUS Bits

Bit	Bit Name	Function
31	Unused	
30:16	CNT3	Symbol error counter for lane 3
15	Unused	
14:0	CNT2	Symbol error counter for lane 2

11.2. Sink Timestamp

The Nios II processor can use this global, free-running counter to generate timestamps and delays. The same counter is used in both sink and source instantiations (DPRX_TIMESTAMP is always equal to DPTX_TIMESTAMP).

DPRX_TIMESTAMP

Address: 0x0005

Direction: RO

Reset: 0x00000000

Table 129. DPRX_TIMESTAMP Bits

Bit	Bit Name	Function
31:24	Unused	8'b00000000
23:0	TIMESTAMP	Free-running counter value (1 tick equals 100 μs)

11.3. Sink Bit-Error Counters



11.3.1. DPRX_BER_CNTI0

Internal bit-error counters for lane 0 and lane 1.

Address: 0x0006

Direction: RO

Reset: 0x00000000

Table 130. DPRX_BER_CNTI0 Bits

Bit	Bit Name	Function
31	Unused	
30:16	CNT1	Symbol error counter for lane 1
15	Unused	
14:0	CNT0	Symbol error counter for lane 0

These registers are meant for internal use and are not exposed in the DPCD.

11.3.2. DPRX_BER_CNTI1

Bit-error counter register for lane 2 and lane 3.

Address: 0x0007

Direction: RO

Reset: 0x00000000

Table 131. DPRX_BER_CNTI1 Bits

Bit	Bit Name	Function
31	Unused	
30:16	CNT3	Symbol error counter for lane 3
15	Unused	
14:0	CNT2	Symbol error counter for lane 2

These registers are meant for internal use and are not exposed in the DPCD.

11.4. Sink MSA Registers

The MSA registers are allocated at addresses:

- 0x0020 through 0x002f for Stream 0
- 0x0040 through 0x004f for Stream 1
- 0x0060 through 0x006f for Stream 2
- 0x0080 through 0x008f for Stream 3

Note: Only registers for Stream 0 are listed in the following sections. Registers for Stream 0 are also available in non-GPU mode.



11.4.1. DPRX0_MSA_MVID

Address: 0x0020

Direction: RO

Reset: 0x00000000

Table 132. DPRX0_MSA_MVID Bits

Bit	Bit Name	Function
31:24	Unused	
23:0	MVID	Main stream attribute MVID

11.4.2. DPRX0_MSA_NVID

Address: 0x0021

Direction: RO

Reset: 0x00000000

Table 133. DPRX0_MSA_NVID Bits

Bit	Bit Name	Function
31:24	Unused	
23:0	NVID	Main stream attribute NVID

11.4.3. DPRX0_MSA_HTOTAL

Address: 0x0022

Direction: RO

Reset: 0x00000000

Table 134. DPRX0_MSA_HTOTAL Bits

Bit	Bit Name	Function
31:16	Unused	
15:0	HTOTAL	Main stream attribute HTOTAL

11.4.4. DPRX0_MSA_VTOTAL

Address: 0x0023

Direction: RO

Reset: 0x00000000

**Table 135. DPRX0_MSA_VTOTAL Bits**

Bit	Bit Name	Function
31:16	Unused	
15:0	VTOTAL	Main stream attribute VTOTAL

11.4.5. DPRX0_MSA_HSP

MSA horizontal synchronization polarity register, DPRX0_MSA_HSP.

Address: 0x0024

Direction: RO

Reset: 0x00000000

Table 136. DPRX0_MSA_HSP Bits

Bit	Bit Name	Function
31:1	Unused	
0	HSP	Main stream attribute horizontal synchronization polarity <ul style="list-style-type: none"> 0 = Positive 1 = Negative

11.4.6. DPRX0_MSA_HSW

MSA horizontal synchronization width register, DPRX0_MSA_HSW.

Address: 0x0025

Direction: RO

Reset: 0x00000000

Table 137. DPRX0_MSA_HSW Bits

Bit	Bit Name	Function
31:15	Unused	
14:0	HSW	Main stream attribute horizontal synchronization width

11.4.7. DPRX0_MSA_HSTART

Address: 0x0026

Direction: RO

Reset: 0x00000000

Table 138. DPRX0_MSA_HSTART Bits

Bit	Bit Name	Function
31:16	Unused	
15:0	HSTART	Main stream attribute HSTART



11.4.8. DPRX0_MSA_VSTART

Address: 0x0027

Direction: RO

Reset: 0x00000000

Table 139. DPRX0_MSA_VSTART Bits

Bit	Bit Name	Function
31:16	Unused	
15:0	VSTART	Main stream attribute VSTART

11.4.9. DPRX0_MSA_VSP

MSA vertical synchronization polarity register, DPRX0_MSA_VSP.

Address: 0x0028

Direction: RO

Reset: 0x00000000

Table 140. DPRX0_MSA_VSP Bits

Bit	Bit Name	Function
31:1	Unused	
0	VSP	Main stream attribute vertical synchronization polarity <ul style="list-style-type: none">• 0 = Positive• 1 = Negative

11.4.10. DPRX0_MSA_VSW

MSA vertical synchronization width register, DPRX0_MSA_VSW.

Address: 0x0029

Direction: RO

Reset: 0x00000000

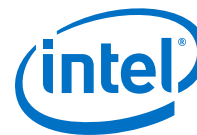
Table 141. DPRX0_MSA_VSW Bits

Bit	Bit Name	Function
31:15	Unused	
14:0	VSW	Main stream attribute vertical synchronization width

11.4.11. DPRX0_MSA_HWIDTH

TX control register, DPRX0_MSA_HWIDTH.

Address: 0x002a



11. DisplayPort Sink Register Map and DPCD Locations

UG-01131 | 2020.06.22

Direction: RO

Reset: 0x00000000

Table 142. DPRX0_MSA_HWIDTH Bits

Bit	Bit Name	Function
31:16	Unused	
15:0	HWIDTH	Main stream attribute HWIDTH

11.4.12. DPRX0_MSA_VHEIGHT

Address: 0x002b

Direction: RO

Reset: 0x00000000

Table 143. DPRX0_MSA_WHEIGHT Bits

Bit	Bit Name	Function
31:16	Unused	
15:0	VHEIGHT	Main stream attribute VHEIGHT

11.4.13. DPRX0_MSA_MISC0

Address: 0x002c

Direction: RO

Reset: 0x00000000

Table 144. DPRX0_MSA_MISC0 Bits

Bit	Bit Name	Function
31:8	Unused	
7:0	MISC0	Main stream attribute MISC0 (refer to the <i>VESA DisplayPort Standard</i>)

11.4.14. DPRX0_MSA_MISC1

Address: 0x002d

Direction: RO

Reset: 0x00000000

Table 145. DPRX0_MSA_MISC1 Bits

Bit	Bit Name	Function
31:8	Unused	
7:0	MISC1	Main stream attribute MISC1 (refer to the <i>VESA DisplayPort Standard</i>)



11.4.15. DPRX0_MSA_COLOR

Address: 0x002e

Direction: RO

Reset: 0x00000000

Table 146. DPRX0_MSA_COLOR Bits

Bit	Bit Name	Function
31:13	Unused	
12	DYNAMIC_RANGE	<ul style="list-style-type: none"> 0 = VESA (from 0 to maximum) 1 = CEA range
11:8	COLORIMETRY	<ul style="list-style-type: none"> 0000 = ITU-R BT601-5 0001 = ITU-R BT709-5 <p><i>Note: Refer to Table 2–120 bit[3:0] in the VESA DisplayPort Standard version 1.4 for all colorimetry support including BT.2020.</i></p>
7:4	ENCODING	<ul style="list-style-type: none"> 0000 = RGB 0001 = YCbCr 4:4:4 0010 = YCbCr 4:2:2 0011 = YCbCr 4:2:0
3	Unused	
2:0	BPC	Bits per pixel format <ul style="list-style-type: none"> 000 = 6 bpc 001 = 8 bpc 010 = 10 bpc 011 = 12 bpc 100 = 16 bpc

11.4.16. DPRX0_VBID

VB-ID register, DPRX0_VBID.

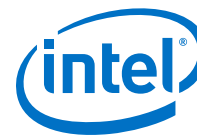
Address: 0x002f

Direction: RO

Reset: 0x00000000

Table 147. DPRX0_VBID Bits

Bit	Bit Name	Function
31:8	Unused	
7	MSA_LOCK	0 = MSA unlocked 1 = MSA locked (on all lanes)
6	VBID_LOCK	0 = VB-ID unlocked 1 = VB-ID locked (on all lanes)
5:0	VBID	VB-ID flags (refer to the VESA DisplayPort Standard).



11.5. Sink Audio Registers

The audio registers are allocated at addresses:

- 0x0030 through 0x003f for Stream 0
- 0x0050 through 0x005f for Stream 1
- 0x0070 through 0x007f for Stream 2
- 0x0090 through 0x009f for Stream 3

Note: Only registers for Stream 0 are listed in the following sections.

11.5.1. DPRX0_AUD_MAUD

Received audio Maud register, DPRX0_AUD_MAUD.

Address: 0x0030

Direction: RO

Reset: 0x00000000

Table 148. DPRX0_AUD_MAUD Bits

Bit	Bit Name	Function
31:24	Unused	
23:0	MAUD	Received audio Maud

11.5.2. DPRX0_AUD_NAUD

Received audio Naud register, DPRX0_AUD_NAUD.

Address: 0x0031

Direction: RO

Reset: 0x00000000

Table 149. DPRX0_AUD_NAUD Bits

Bit	Bit Name	Function
31:24	Unused	
23:0	NAUD	Received audio Naud

11.5.3. DPRX0_AUD_AIF0

Received audio InfoFrame register, DPRX0_AUD_AIF0.

Address: 0x0032

Direction: RO

Reset: 0x00000000

**Table 150. DPRX0_AUD_AIF0 Bits**

Bit	Bit Name	Function
31:8	Unused	
7:0	AIF	Received audio InfoFrame byte 0 (refer to CEA-861-E specification)

11.5.4. DPRX0_AUD_AIF1

Received audio InfoFrame register, DPRX0_AUD_AIF1.

Address: 0x0033

Direction: RO

Reset: 0x00000000

Table 151. DPRX0_AUD_AIF1 Bits

Bit	Bit Name	Function
31:8	Unused	
7:0	AIF	Received audio InfoFrame byte 1 (refer to CEA-861-E specification)

11.5.5. DPRX0_AUD_AIF2

Received audio InfoFrame register, DPRX0_AUD_AIF2.

Address: 0x0034

Direction: RO

Reset: 0x00000000

Table 152. DPRX0_AUD_AIF2 Bits

Bit	Bit Name	Function
31:8	Unused	
7:0	AIF	Received audio InfoFrame byte 2 (refer to CEA-861-E specification)

11.5.6. DPRX0_AUD_AIF3

Received audio InfoFrame register, DPRX0_AUD_AIF3.

Address: 0x0035

Direction: RO

Reset: 0x00000000

**Table 153. DPRX0_AUD_AIF3 Bits**

Bit	Bit Name	Function
31:8	Unused	
7:0	AIF	Received audio InfoFrame byte 3 (refer to CEA-861-E specification)

11.5.7. DPRX0_AUD_AIF4

Received audio InfoFrame register, DPRX0_AUD_AIF4.

Address: 0x0036

Direction: R0

Reset: 0x00000000

Table 154. DPRX0_AUD_AIF4 Bits

Bit	Bit Name	Function
31:8	Unused	
7:0	AIF	Received audio InfoFrame byte 4 (refer to CEA-861-E specification)

11.6. Sink MST Registers

MST controller control.

Address: 0x00a0

Direction: RW

Reset: 0x00000000

Table 155. DPRX_MST_CONTROL1 Bits

Bit	Bit Name	Function
31	VCPTAB_UPD_FORCE	This flag always reads back at 0. 1 = Force VC payload ID table update.
30	VCPTAB_UPD_REQ	<ul style="list-style-type: none"> 1 = Request for VC payload ID table update 0 = No change to VC payload ID table
29:20	Unused	
19:16	VCP_ID3	VC payload ID for Stream 3
15:12	VCP_ID2	VC payload ID for Stream 2
11:8	VCP_ID1	VC payload ID for Stream 1
7:4	VCP_ID0	VC payload ID for Stream 0
3:1	Unused	
0	MST_EN	Enable or disable MST <ul style="list-style-type: none"> 1 = MST framing 0 = SST framing



When you assert `VCPTAB_UPD_FORCE`, the sink forces the VC payload table contained in `DPRX_MST_VCPTAB0` through `DPRX_MST_VCPTAB7` to be taken immediately into use.

When you assert `VCPTAB_UPD_REQ`, the sink requests the VC payload table contained in `DPRX_MST_VCPTAB0` to `DPRX_MST_VCPTAB7` to be taken into use after the next ACT sequence is detected.

The VC Payload ID values (1–15) used for `VCP_ID0` to `VCP_ID3` are different from those used by the DisplayPort source (1–63). The GPU must remap these values. The values used have to match those in the VC Payload ID table—`DPRX_MST_VCPTAB0` to `DPRX_MST_VCPTAB7` registers.

MST controller status

Address: 0x00a1

Direction: RO

Reset: 0x00000000

Table 156. DPRX_MST_STATUS1 Bits

Bit	Bit Name	Function
31	Unused	
30	<code>VCPTAB_ACT_ACK</code>	<ul style="list-style-type: none"> 1 = ACT sequence detected and VC payload updated 0 = No change to VC payload ID table
29:0	Unused	

`VCPTAB_ACT_ACK` resets to 0 when `VCPTAB_UPD_REQ` deasserted. `VCPTAB_ACT_ACK` is set to 1 if `VCPTAB_UPD_REQ` is asserted and the ACT sequence is detected, signaling that the table contained in `DPRX_MST_VCPTAB0` to `DPRX_MST_VCPTAB7` registers have been taken into use.

11.6.1. DPRX_MST_VCPTAB0

VC Payload ID Table

Address: 0x00a2

Direction: RW

Reset: 0x00000000

Table 157. DPRX_MST_VCPTAB0 Bits

Bit	Bit Name	Function
31:28	<code>VCPSLOT7</code>	VC payload ID or slot 7
27:24	<code>VCPSLOT6</code>	VC payload ID or slot 6
23:20	<code>VCPSLOT5</code>	VC payload ID or slot 5
19:16	<code>VCPSLOT4</code>	VC payload ID or slot 4
<i>continued...</i>		



Bit	Bit Name	Function
15:12	VCPSLOT3	VC payload ID or slot 3
11:8	VCPSLOT2	VC payload ID or slot 2
7:4	VCPSLOT1	VC payload ID or slot 1
3:0	Reserved	Reserved

11.6.2. DPRX_MST_VCPTAB1

VC Payload ID Table

Address: 0x00a3

Direction: RW

Reset: 0x00000000

Table 158. DPRX_MST_VCPTAB1 Bits

Bit	Bit Name	Function
31:28	VCPSLOT15	VC payload ID or slot 15
27:24	VCPSLOT14	VC payload ID or slot 14
23:20	VCPSLOT13	VC payload ID or slot 13
19:16	VCPSLOT12	VC payload ID or slot 12
15:12	VCPSLOT11	VC payload ID or slot 11
11:8	VCPSLOT10	VC payload ID or slot 10
7:4	VCPSLOT9	VC payload ID or slot 9
3:0	VCPSLOT8	VC payload ID or slot 8

11.6.3. DPRX_MST_VCPTAB2

VC Payload ID Table

Address: 0x00a4

Direction: RW

Reset: 0x00000000

Table 159. DPRX_MST_VCPTAB2 Bits

Bit	Bit Name	Function
31:28	VCPSLOT23	VC payload ID or slot 23
27:24	VCPSLOT22	VC payload ID or slot 22
23:20	VCPSLOT21	VC payload ID or slot 21
19:16	VCPSLOT20	VC payload ID or slot 20
15:12	VCPSLOT19	VC payload ID or slot 19
<i>continued...</i>		



Bit	Bit Name	Function
11:8	VCPSLOT18	VC payload ID or slot 18
7:4	VCPSLOT17	VC payload ID or slot 17
3:0	VCPSLOT16	VC payload ID or slot 16

11.6.4. DPRX_MST_VCPTAB3

VC Payload ID Table

Address: 0x00a5

Direction: RW

Reset: 0x00000000

Table 160. DPRX_MST_VCPTAB3 Bits

Bit	Bit Name	Function
31:28	VCPSLOT31	VC payload ID or slot 31
27:24	VCPSLOT30	VC payload ID or slot 30
23:20	VCPSLOT29	VC payload ID or slot 29
19:16	VCPSLOT28	VC payload ID or slot 28
15:12	VCPSLOT27	VC payload ID or slot 27
11:8	VCPSLOT26	VC payload ID or slot 26
7:4	VCPSLOT25	VC payload ID or slot 25
3:0	VCPSLOT24	VC payload ID or slot 24

11.6.5. DPRX_MST_VCPTAB4

VC Payload ID Table

Address: 0x00a6

Direction: RW

Reset: 0x00000000

Table 161. DPRX_MST_VCPTAB4 Bits

Bit	Bit Name	Function
31:28	VCPSLOT39	VC payload ID or slot 39
27:24	VCPSLOT38	VC payload ID or slot 38
23:20	VCPSLOT37	VC payload ID or slot 37
19:16	VCPSLOT36	VC payload ID or slot 36
15:12	VCPSLOT35	VC payload ID or slot 35

continued...



Bit	Bit Name	Function
11:8	VCPSLOT34	VC payload ID or slot 34
7:4	VCPSLOT33	VC payload ID or slot 33
3:0	VCPSLOT32	VC payload ID or slot 32

11.6.6. DPRX_MST_VCPTAB5

VC Payload ID Table

Address: 0x00a7

Direction: RW

Reset: 0x00000000

Table 162. DPRX_MST_VCPTAB5 Bits

Bit	Bit Name	Function
31:28	VCPSLOT47	VC payload ID or slot 47
27:24	VCPSLOT46	VC payload ID or slot 46
23:20	VCPSLOT45	VC payload ID or slot 45
19:16	VCPSLOT44	VC payload ID or slot 44
15:12	VCPSLOT43	VC payload ID or slot 43
11:8	VCPSLOT42	VC payload ID or slot 42
7:4	VCPSLOT41	VC payload ID or slot 41
3:0	VCPSLOT40	VC payload ID or slot 40

11.6.7. DPRX_MST_VCPTAB6

VC Payload ID Table

Address: 0x00a8

Direction: RW

Reset: 0x00000000

Table 163. DPRX_MST_VCPTAB6 Bits

Bit	Bit Name	Function
31:28	VCPSLOT55	VC payload ID or slot 55
27:24	VCPSLOT54	VC payload ID or slot 54
23:20	VCPSLOT53	VC payload ID or slot 53
19:16	VCPSLOT52	VC payload ID or slot 52
15:12	VCPSLOT51	VC payload ID or slot 51

continued...



Bit	Bit Name	Function
11:8	VCPSLOT50	VC payload ID or slot 50
7:4	VCPSLOT49	VC payload ID or slot 49
3:0	VCPSLOT48	VC payload ID or slot 48

11.6.8. DPRX_MST_VCPTAB7

VC Payload ID Table

Address: 0x00a9

Direction: RW

Reset: 0x00000000

Table 164. DPRX_MST_VCPTAB7 Bits

Bit	Bit Name	Function
31:28	VCPSLOT63	VC payload ID or slot 63
27:24	VCPSLOT62	VC payload ID or slot 62
23:20	VCPSLOT61	VC payload ID or slot 61
19:16	VCPSLOT60	VC payload ID or slot 60
15:12	VCPSLOT59	VC payload ID or slot 59
11:8	VCPSLOT58	VC payload ID or slot 58
7:4	VCPSLOT57	VC payload ID or slot 57
3:0	VCPSLOT56	VC payload ID or slot 56

11.7. Sink AUX Controller Interface

The following sections describe the registers for the AUX Controller interface.

11.7.1. DPRX_AUX_CONTROL

For transaction requests:

1. Wait for `MSG_READY` (in register `DPRX_AUX_STATUS`) to be 1, or enable the interrupt with `AUX_IRQ_EN` and wait for the interrupt request.
2. Read the transaction request total length from `LENGTH`.
3. Read the transaction request command from `DPRX_AUX_COMMAND`. This step also clears `MSG_READY` and `LENGTH`.
4. Read the transaction request data payload from registers `DPRX_AUX_BYTE0` to `DPRX_AUX_BYTE15` (read `LENGTH - 1` bytes).



For transaction replies:

1. Wait for `READY_TO_TX` (in register `DPRX_AUX_STATUS`) to be 1. Implement a timeout (approximately 10 ms) counter.
2. Write registers `DPRX_AUX_COMMAND` to `DPRX_AUX_BYTE18` with transaction command and data payload.
3. Write `LENGTH` with the transaction total message length (1 to 17, 1 for the command plus 1 to 16 for the data payload) and set `TX_STROBE` to 1. This sequence starts the reply transmission.

The sink asserts the IRQ when `AUX_IRQ_EN` = 1 and `MSG_READY` = 1. To deassert IRQ, set `AUX_IRQ_EN` to 0 or read from `DPRX_AUX_COMMAND`.

Address: 0x0100

Direction: RW

Reset: 0x00000000

Table 165. DPRX_AUX_CONTROL Bits

Bit	Bit Name	Function
31	MSG_READY	0 = Waiting for a request 1 = A request has been completely received
30	READY_TO_TX	0 = Busy sending a reply or request waiting 1 = Ready to send a reply
29:9	Unused	
8	AUX_IRQ_EN	Issues an IRQ to Nios II processor when the sink receives an AUX channel transaction from the source. 0 = Disable 1 = Enable
7	TX_STROBE	Writing this bit at 1 starts a reply transmission. Always read this bit as 0.
6:5	Unused	
4:0	LENGTH	For the next transaction reply, total length of message to be transmitted (1 – 17), for the last received transaction request, total length of message received (1 – 17).

11.7.2. DPRX_AUX_STATUS

AUX transaction status register, `DPRX_AUX_STATUS`.

Address: 0x0101

Direction: RO

Reset: 0x00000000

Table 166. DPRX_AUX_STATUS Bits

Bit	Bit Name	Function
31	MSG_READY	0 = Waiting for a request
<i>continued...</i>		



Bit	Bit Name	Function
		1 = Receives a request
30	READY_TO_TX	0 = Busy sending a reply or waiting for a request 1 = Ready to send a reply
29:2	Unused	
1	SRC_PWR_DETECT	0 = Upstream power not detected 1 = Upstream power detected
0	SRC_CABLE_DETECT	0 = Upstream cable not detected 1 = Upstream cable detected

11.7.3. DPRX_AUX_COMMAND

AUX transaction command register, DPRX_AUX_COMMAND.

Address: 0x0102

Direction: RW

Reset: 0x00000000

Table 167. DPRX_AUX_COMMAND Bits

Bit	Bit Name	Function
31:8	Unused	
7:0	COMMAND	AUX transaction command for the next reply or received in the last request (refer to the <i>VESA DisplayPort Standard</i>). Reading of this register clears MSG_READY and LENGTH in DPRX_AUX_CONTROL register.

11.7.4. DPRX_AUX_BYTE0

AUX Transaction Byte 0 Register.

Address: 0x0103

Direction: RW

Reset: 0x00000000

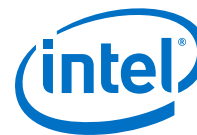
Table 168. DPRX_AUX_BYTE0 Bits

Bit	Bit Name	Function
31:8	Unused	
7:0	BYTE	Transaction address[15:8] received in the last request, or data(0) for the next reply

11.7.5. DPRX_AUX_BYTE1

AUX Transaction Byte 1 Register.

Address: 0x0104



11. DisplayPort Sink Register Map and DPCD Locations

UG-01131 | 2020.06.22

Direction: RW

Reset: 0x00000000

Table 169. DPRX_AUX_BYTE1 Bits

Bit	Bit Name	Function
31:8	Unused	
7:0	BYTE	Transaction address[7:1] received in the last request, or data(1) for the next reply

11.7.6. DPRX_AUX_BYTE2

AUX Transaction Byte 2 Register.

Address: 0x0105

Direction: RW

Reset: 0x00000000

Table 170. DPRX_AUX_BYTE2 Bits

Bit	Bit Name	Function
31:8	Unused	
7:0	BYTE	Transaction length[3:0] received in the last request, or data(2) for the next reply (refer to <i>VESA DisplayPort Standard</i>).

11.7.7. DPRX_AUX_BYTE3

AUX Transaction Byte 3 Register.

Address: 0x0106

Direction: RW

Reset: 0x00000000

Table 171. DPRX_AUX_BYTE3 Bits

Bit	Bit Name	Function
31:8	Unused	
7:0	BYTE	Transaction data(0) received in the last request, or data(3) for the next reply

11.7.8. DPRX_AUX_BYTE4

AUX Transaction Byte 4 Register.

Address: 0x0107

Direction: RW

Reset: 0x00000000

**Table 172. DPRX_AUX_BYTE4 Bits**

Bit	Bit Name	Function
31:8	Unused	
7:0	BYTE	Transaction data(1) received in the last request, or data(4) for the next reply

11.7.9. DPRX_AUX_BYTE5

AUX Transaction Byte 5 Register.

Address: 0x0108

Direction: RW

Reset: 0x00000000

Table 173. DPRX_AUX_BYTE5 Bits

Bit	Bit Name	Function
31:8	Unused	
7:0	BY T E	Transaction data(2) received in the last request, or data(5) for the next reply

11.7.10. DPRX_AUX_BYTE6

AUX Transaction Byte 6 Register.

Address: 0x0109

Direction: RW

Reset: 0x00000000

Table 174. DPRX_AUX_BYTE6 Bits

Bit	Bit Name	Function
31:8	Unused	
7:0	BYTE	Transaction data(3) received in the last request, or data(6) for the next reply

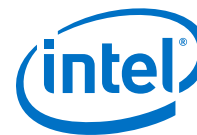
11.7.11. DPRX_AUX_BYTE7

AUX Transaction Byte 7 Register.

Address: 0x010a

Direction: RW

Reset: 0x00000000

**Table 175. DPRX_AUX_BYTE7 Bits**

Bit	Bit Name	Function
31:8	Unused	
7:0	BYTE	Transaction data(4) received in the last request, or data(7) for the next reply

11.7.12. DPRX_AUX_BYTE8

AUX Transaction Byte 8 Register.

Address: 0x010b

Direction: RW

Reset: 0x00000000

Table 176. DPRX_AUX_BYTE8 Bits

Bit	Bit Name	Function
31:8	Unused	
7:0	BYTE	Transaction data(5) received in the last request, or data(8) for the next reply

11.7.13. DPRX_AUX_BYTE9

AUX Transaction Byte 9 Register.

Address: 0x010c

Direction: RW

Reset: 0x00000000

Table 177. DPRX_AUX_BYTE9 Bits

Bit	Bit Name	Function
31:8	Unused	
7:0	BYTE	Transaction data(6) received in the last request, or data(9) for the next reply

11.7.14. DPRX_AUX_BYTE10

AUX Transaction Byte 10 Register.

Address: 0x010d

Direction: RW

Reset: 0x00000000

**Table 178. DPRX_AUX_BYTE10 Bits**

Bit	Bit Name	Function
31:8	Unused	
7:0	BYTE	Transaction data(7) received in the last request, or data(10) for the next reply

11.7.15. DPRX_AUX_BYTE11

AUX Transaction Byte 11 Register.

Address: 0x010e

Direction: RW

Reset: 0x00000000

Table 179. DPRX_AUX_BYTE11 Bits

Bit	Bit Name	Function
31:8	Unused	
7:0	BYTE	Transaction data(8) received in the last request, or data(11) for the next reply

11.7.16. DPRX_AUX_BYTE12

AUX Transaction Byte 12 Register.

Address: 0x010f

Direction: RW

Reset: 0x00000000

Table 180. DPRX_AUX_BYTE12 Bits

Bit	Bit Name	Function
31:8	Unused	
7:0	BYTE	Transaction data(9) received in the last request, or data(12) for the next reply

11.7.17. DPRX_AUX_BYTE13

AUX Transaction Byte 13 Register.

Address: 0x0110

Direction: RW

Reset: 0x00000000



Table 181. DPRX_AUX_BYTE13 Bits

Bit	Bit Name	Function
31:8	Unused	
7:0	BYTE	Transaction data(10) received in the last request, or data(13) for the next reply

11.7.18. DPRX_AUX_BYTE14

AUX Transaction Byte 14 Register.

Address: 0x0111

Direction: RW

Reset: 0x00000000

Table 182. DPRX_AUX_BYTE14 Bits

Bit	Bit Name	Function
31:8	Unused	
7:0	BYTE	Transaction data(11) received in the last request, or data(14) for the next reply

11.7.19. DPRX_AUX_BYTE15

AUX Transaction Byte 15 Register.

Address: 0x0112

Direction: RW

Reset: 0x00000000

Table 183. DPRX_AUX_BYTE15 Bits

Bit	Bit Name	Function
31:8	Unused	
7:0	BYTE	Transaction data(12) received in the last request, or data(15) for the next reply

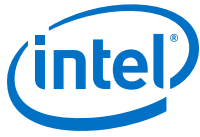
11.7.20. DPRX_AUX_BYTE16

AUX Transaction Byte 16 Register.

Address: 0x0113

Direction: RW

Reset: 0x00000000

**Table 184. DPRX_AUX_BYTE16 Bits**

Bit	Bit Name	Function
31:8	Unused	
7:0	BYTE	Transaction data(13) received in the last request

11.7.21. DPRX_AUX_BYTE17

AUX Transaction Byte 17 Register.

Address: 0x0114

Direction: RW

Reset: 0x00000000

Table 185. DPRX_AUX_BYTE17 Bits

Bit	Bit Name	Function
31:8	Unused	
7:0	BYTE	Transaction data(14) received in the last request

11.7.22. DPRX_AUX_BYTE18

AUX Transaction Byte 18 Register.

Address: 0x0115

Direction: RW

Reset: 0x00000000

Table 186. DPRX_AUX_BYTE18 Bits

Bit	Bit Name	Function
31:8	Unused	
7:0	BYTE	Transaction data(15) received in the last request

11.7.23. DPRX_AUX_I2C0

AUX to I2C0 management. The sink routes all AUX channel accesses to I²C slave addresses of values between START_ADDR and END_ADDR to I2C0.

Address: 0x0116

WO

0x00000000

Table 187. DPRX_AUX_I2C0 Bits

Bit	Bit Name	Function
31:15	Unused	
14:8	END_ADDR	I ² C slave end address
7	Unused	
6:0	START_ADDR	I ² C slave start address

11.7.24. DPRX_AUX_I2C1

AUX to I2C1 management. The sink routes all AUX channel accesses to I²C slave addresses of values between START_ADDR and END_ADDR to I2C1.

Address: 0x0117

WO

0x00000000

Table 188. DPRX_AUX_I2C1 Bits

Bit	Bit Name	Function
31:15	Unused	
14:8	END_ADDR	I ² C slave end address
7	Unused	
6:0	START_ADDR	I ² C slave start address

11.7.25. DPRX_AUX_RESET

Address: 0x0118

Direction: WO

Reset: 0x00000000

Table 189. DPRX_AUX_RESET Bits

Bit	Bit Name	Function
31:1	Unused	
0	CLEAR	Asserting CLEAR resets the AUX controller state machine: <ul style="list-style-type: none"> • 0 = No action • 1 = AUX Controller reset

11.7.26. DPRX_AUX_HPD

HPD control.

Address: 0x0119

Direction: RW

Reset: 0x00000000

**Table 190. DPRX_AUX_HPDP Bits**

Bit	Bit Name	Function
31:13	Unused	
12	HPD_IRQ	Writing this bit at 1 generates a 0.75-ms long HPD IRQ (low pulse). This bit is WO. To use this bit, HPD_EN must be 1.
11	HPD_EN	HPD logic level 0 = Deasserted (low) 1 = Asserted (high)
10:0	Unused	

11.8. Sink CRC Registers

The CRC registers are available only Stream 0 and Stream 1 when the core is instantiated with parameter `RX_SUPPORT_AUTOMATED_TEST = 1`

DPRX0_CRC_R

Address: 0x0120

Direction: RO

Reset: 0x00000000

Table 191. DPRX0_CRC_R Bits

Bit	Bit Name	Function
31:16	Unused	
15:0	CRC_R	Output video CRC for the red component

DPRX0_CRC_G

Address: 0x0121

Direction: RO

Reset: 0x00000000

Table 192. DPRX0_CRC_G Bits

Bit	Bit Name	Function
31:16	Unused	
15:0	CRC_G	Output video CRC for the green component

DPRX0_CRC_B

Address: 0x0122

Direction: RO

Reset: 0x00000000

**Table 193. DPRX0_CRC_B Bits**

Bit	Bit Name	Function
31:16	Unused	
15:0	CRC_B	Output video CRC for the blue component

11.9. Sink-Supported DPCD Locations

The following table describes the DPCD locations (or location groups) that are supported in DisplayPort sink instantiations.

Table 194. DPCD Locations

Location Name	Address	Without GPU	With GPU
DPCD_REV	0x0000	Yes	Yes
MAX_LINK_RATE	0x0001	Yes	Yes
MAX_LANE_COUNT	0x0002	Yes	Yes
MAX_DOWNSPREAD	0x0003	Yes	Yes
NORP	0x0004	Yes	Yes
DOWNSTREAMPORT_PRESENT	0x0005	Yes	Yes
MAIN_LINK_CHANNEL_CODING	0x0006	Yes	Yes
DOWN_STREAM_PORT_COUNT	0x0007	Yes	Yes
RECEIVE_PORT0_CAP_0	0x0008	Yes	Yes
RECEIVE_PORT0_CAP_1	0x0009	Yes	Yes
RECEIVE_PORT1_CAP_0	0x000A	Yes	Yes
RECEIVE_PORT1_CAP_1	0x000B	Yes	Yes
I2C_SPEED_CONTROL	0x000C	—	Yes
EDP_CONFIGURATION_CAP	0x000D	—	Yes
TRAINING_AUX_RD_INTERVAL	0x000E	—	Yes
ADAPTER_CAP	0x000F	—	Yes
FAUX_CAP	0x0020	—	Yes
MST_CAP	0x0021	—	Yes
NUMBER_OF_AUDIO_ENDPOINTS	0x0022	—	Yes
GUID	0x0030	Yes	Yes
DWN_STRM_PORTX_CAP	0x0080	Yes	Yes
LINK_BW_SET	0x0100	Yes	Yes
LANE_COUNT_SET	0x0101	Yes	Yes
TRAINING_PATTERN_SET	0x0102	Yes	Yes
TRAINING_LANE0_SET	0x0103	Yes	Yes

continued...



Location Name	Address	Without GPU	With GPU
TRAINING_LANE1_SET	0x0104	Yes	Yes
TRAINING_LANE2_SET	0x0105	Yes	Yes
TRAINING_LANE3_SET	0x0106	Yes	Yes
DOWNSPREAD_CTRL	0x0107	Yes	Yes
MAIN_LINK_CHANNEL_CODING_SET	0x0108	Yes	Yes
I2C_SPEED_CONTROL	0x0109	—	Yes
EDP_CONFIGURATION_SET	0x010A	—	Yes
LINK_QUAL_LANE0_SET	0x010B	—	Yes
LINK_QUAL_LANE1_SET	0x010C	—	Yes
LINK_QUAL_LANE2_SET	0x010D	—	Yes
LINK_QUAL_LANE3_SET	0x010E	—	Yes
TRAINING_LANE0_1_SET2	0x010F	—	Yes
TRAINING_LANE2_3_SET2	0x0110	—	Yes
MSTM_CTRL	0x0111	—	Yes
AUDIO_DELAY[7:0]	0x0112	—	Yes
AUDIO_DELAY[15:8]	0x0113	—	Yes
AUDIO_DELAY[23:6]	0x0114	—	Yes
ADAPTER_CTRL	0x01A0	—	Yes
BRANCH_DEVICE_CTRL	0x01A1	—	Yes
PAYLOAD_ALLOCATE_SET	0x01C0	—	Yes
PAYLOAD_ALLOCATE_START_TIME_SLOT	0x01C1	—	Yes
PAYLOAD_ALLOCATE_TIME_SLOT_COUNT	0x01C2	—	Yes
SINK_COUNT	0x0200	Yes	Yes
DEVICE_SERVICE_IRQ_VECTOR	0x0201	Yes	Yes
LANE0_1_STATUS	0x0202	Yes	Yes
LANE2_3_STATUS	0x0203	Yes	Yes
LANE_ALIGN_STATUS_UPDATED	0x0204	Yes	Yes
SINK_STATUS	0x0205	Yes	Yes
ADJUST_REQUEST_LANE0_1	0x0206	Yes	Yes
ADJUST_REQUEST_LANE2_3	0x0207	Yes	Yes
SYMBOL_ERROR_COUNT_LANE0	0x0210	Yes	Yes
SYMBOL_ERROR_COUNT_LANE1	0x0212	Yes	Yes
SYMBOL_ERROR_COUNT_LANE2	0x0214	Yes	Yes
SYMBOL_ERROR_COUNT_LANE3	0x0216	Yes	Yes
<i>continued...</i>			

11. DisplayPort Sink Register Map and DPCD Locations

UG-01131 | 2020.06.22



Location Name	Address	Without GPU	With GPU
TEST_REQUEST	0x0218	—	Yes
TEST_LINK_RATE	0x0219	—	Yes
TEST_LANE_COUNT	0x0220	—	Yes
TEST_CRC_R_Cr	0x0240	Yes	—
TEST_CRC_G_Y	0x0242	Yes	—
TEST_CRC_B_Cb	0x0244	Yes	—
TEST_SINK_MISC	0x0246	Yes	—
PHY_TEST_PATTERN	0x0248	Yes	Yes
TEST_80BIT_CUSTOM_PATTERN (0x0250 to 0x0259)	0x0250	Yes	Yes
TEST_EDID_CHECKSUM	0x0261	Yes	—
TEST_SINK	0x0270	Yes	Yes
PAYLOAD_TABLE_UPDATE_STATUS	0x02C0	—	Yes
VC_PAYLOAD_ID_SLOT_1_to_63	0x02C1	—	Yes
IEEE_OUI	0x0300	—	Yes
IEEE_OUI	0x0301	—	Yes
IEEE_OUI	0x0302	—	Yes
DEVICE_IDENTIFICATION_STRING	0x0303	—	Yes
HARDWARE_REVISION	0x0309	—	Yes
FWSW_MAJOR	0x030A	—	Yes
FWSW_MINOR	0x030B	—	Yes
RESERVED	0x030C	—	Yes
RESERVED	0x030D	—	Yes
RESERVED	0x030E	—	Yes
RESERVED	0x030F	—	Yes
IEEE_OUI	0x0400	—	Yes
IEEE_OUI	0x0401	—	Yes
IEEE_OUI	0x0402	—	Yes
DEVICE_IDENTIFICATION_STRING	0x0403	—	Yes
HARDWARE_REVISION	0x0409	—	Yes
FWSW_MAJOR	0x040A	—	Yes
FWSW_MINOR	0x040B	—	Yes
RESERVED (0x040C to 0x04FF)	0x040C	—	Yes
IEEE_OUI	0x0500	Yes	Yes
IEEE_OUI	0x0501	Yes	Yes

continued...



11. DisplayPort Sink Register Map and DPCD Locations

UG-01131 | 2020.06.22

Location Name	Address	Without GPU	With GPU
IEEE_OUI	0x0502	Yes	Yes
DEVICE_IDENTIFICATION_STRING	0x0503	—	Yes
HARDWARE_REVISION	0x0509	—	Yes
FWSW_MAJOR	0x050A	—	Yes
FWSW_MINOR	0x050B	—	Yes
RESERVED (0x050C to 0x05FF)	0x050C	—	Yes
SET_POWER_STATE	0x0600	Yes	Yes
EDP_DISPLAY_CONTROL	0x0720	Yes	Yes
DOWN_REQ (0x1000 to 0x102F)	0x1000	—	Yes
DOWN_REP (0x1400 to 0x142F)	0x1400	—	Yes
SINK_COUNT_ESI	0x2002	—	Yes
DEVICE_SERVICE_IRQ_VECTOR_ESI0	0x2003	—	Yes
DEVICE_SERVICE_IRQ_VECTOR_ESI1	0x2004	—	Yes
LINK_SERVICE_IRQ_VECTOR_ESI0	0x2005	—	Yes
LANE0_1_STATUS	0x200C	—	Yes
LANE2_3_STATUS_ESI	0x200D	—	Yes
LANE_ALIGN_STATUS_UPDATED_ESI	0x200E	—	Yes
SINK_STATUS_ESI	0x200F	—	Yes



12. DisplayPort Intel FPGA IP User Guide Archives

If an IP core version is not listed, the user guide for the previous IP core version applies.

Intel Quartus Prime Version	IP Core Version	User Guide
20.1	19.3.0	DisplayPort Intel FPGA IP User Guide
19.4	19.2.0	DisplayPort Intel FPGA IP User Guide
19.1	19.1	DisplayPort Intel FPGA IP User Guide
18.1	18.1	DisplayPort Intel FPGA IP User Guide
18.0	18.0	DisplayPort Intel FPGA IP User Guide
17.1	17.1	Intel FPGA DisplayPort IP Core User Guide
17.0	17.0	DisplayPort IP Core User Guide
16.1	16.1	DisplayPort IP Core User Guide
16.0	16.0	DisplayPort IP Core User Guide
15.1	15.1	DisplayPort IP Core User Guide
15.0	15.0	DisplayPort IP Core User Guide
14.1	14.1	DisplayPort IP Core User Guide

13. Document Revision History for the DisplayPort Intel FPGA IP User Guide

Document Version	Intel Quartus Prime Version	IP Version	Changes
2020.06.22	20.2	19.3.0	<ul style="list-style-type: none"> Updated HDCP feature support for Intel Stratix 10 devices. <i>Note:</i> The High-bandwidth Digital Content Protection (HDCP) feature is not included in the Intel Quartus Prime Pro Edition software. To access the HDCP feature, contact Intel at https://www.intel.com/content/www/us/en/broadcast/products/programmable/applications/connectivity-solutions.html. Updated the HDCP resource utilization data for Intel Arria 10 devices and added data for Intel Stratix 10 devices in the <i>Performance and Resource Utilization</i> section. Updated the HDCP 1.3 Key Port address information in <i>HDCP 1.3 TX Architecture</i> and <i>HDCP 1.3 RX Architecture</i> sections. Edited the maximum lane support information for Support HDCP 1.3 and Support HDCP 2.3 parameters in the <i>Parameters</i> section. The HDCP feature supports only maximum lane count of 4. Added information about the <code>tx_hdcp1_disable</code> and <code>tx_hdcp2_disable</code> signals in the <i>Source Interfaces</i> section. Added information about the <code>rx_hdcp1_disable</code> and <code>rx_hdcp2_disable</code> signals in the <i>Sink Interfaces</i> section.
2020.04.13	20.1	19.3.0	<ul style="list-style-type: none"> Updated the performance resource utilization information and included multi-stream transport (MST) data for Intel Cyclone 10 GX devices. Added the following new sections to describe the DisplayPort sink non-GPU mode: <ul style="list-style-type: none"> <i>Sink Non-GPU Mode Support</i> <i>Non-GPU Mode EDID Interface</i> Removed the <i>HDCP Over DisplayPort Design Examples</i> section. This information is now available in the <i>DisplayPort Intel Arria 10 FPGA IP Design Example User Guide</i>. Added the following API functions: <ul style="list-style-type: none"> <code>btc_dprx_mst_link_addr_rep_set</code> <code>btc_dprx_mst_conn_stat_notify_req</code> <code>btc_dprx_mst_conn_stat_notify_rep</code>
			<i>continued...</i>

13. Document Revision History for the DisplayPort Intel FPGA IP User Guide

UG-01131 | 2020.06.22



Document Version	Intel Quartus Prime Version	IP Version	Changes
2020.01.20	19.4	19.2.0	<ul style="list-style-type: none"> • Added a new section about High-bandwidth Digital Content Protection (HDCP). This feature is available only for Intel Arria 10 devices. • Added information about the following HDCP-related parameters in the <i>DisplayPort Intel FPGA IP Source Parameters</i> and <i>DisplayPort Intel FPGA IP Sink Parameters</i> sections: <ul style="list-style-type: none"> — Support HDCP 1.3 — Support HDCP 2.3 • Added information about HDCP-related signals in the <i>Source Interfaces</i> and <i>Sink Interfaces</i> sections. • Added information about a new design example that demonstrates the HDCP feature for Intel Arria 10 devices in the Intel Quartus Prime Pro Edition software.
			<i>continued...</i>



13. Document Revision History for the DisplayPort Intel FPGA IP User Guide

UG-01131 | 2020.06.22

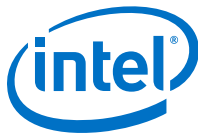
Document Version	Intel Quartus Prime Version	IP Version	Changes
2019.04.01	19.1	19.1	<ul style="list-style-type: none"> Added support for Intel Stratix 10 L-tile devices. Support for both Intel Stratix 10 L-tile and H-tile devices are final. Added a table that lists the support for the Adaptive Sync feature by device family in the <i>Device Family Support</i> section. This feature is available only in the Intel Quartus Prime Pro Edition software.
2019.01.21	18.1	18.1	<ul style="list-style-type: none"> Added preliminary support for Intel Stratix 10 devices. Removed the line that states that the IP supports multi-stream transport (MST) in Intel Cyclone 10 GX devices. The DisplayPort Intel FPGA IP supports MST only in Intel Arria 10 devices in the current release. Edited the performance resource utilization information to include data for Intel Stratix 10 devices and SST TX quad and MST data for Intel Arria 10 devices. Adaptive sync feature is fully supported in version 18.1 onwards. Updated the <i>Core Features</i> section to include support for HDR metadata transport using secondary stream data packet. Updated the <i>Secondary Stream Interface</i> section to add information about using the secondary stream data packet to transport HDR metadata. Edited the <code>btc_dptx_baseaddr</code> function information. The bit returns with the base address, and not 0 or 1. Added a reference link to the <i>DisplayPort Intel Stratix 10 FPGA IP Design Example User Guide</i>.
2018.05.07	18.0	18.0	<ul style="list-style-type: none"> Renamed DisplayPort IP core to DisplayPort Intel FPGA IP as part of standardizing and rebranding exercise. Added reference link to the <i>DisplayPort Intel Cyclone 10 GX FPGA IP Design Example User Guide</i>. Updated support for Intel Cyclone 10 GX device from advance to final. Edited the performance resource utilization information to include Arria V GZ. Add bit 0 and bit 127 to the <i>Typical Secondary Stream Packet Flow</i> diagram to indicate the direction of the streaming data. Edited the <code>btc_dptx_set_color_space</code> function information to include the missing code. Changed the typo in step 2 in the DisplayPort post link training adjust request flow (LQA). The offset 0x00101 bit [1] should be offset 0x00101 bit [5].



Document Version	Intel Quartus Prime Version	IP Version	Changes
			<ul style="list-style-type: none"> Added a note in the <i>btc_dptx_set_color_space</i>, <i>btc_dptxll_stream_set_color_space</i>, <i>DPTX0_MSA_COLOR</i>, and <i>DPRX0_MSA_COLOR</i> topics to refer to Table 2-120 bit[3:0] in the <i>VESA DisplayPort Standard version 1.4</i> for all colorimetry support including BT.2020. Updated the video format information for <i>btc_dptx_set_color_space</i>, <i>btc_dptx_mst_set_color_space</i>, and <i>btc_dptxll_stream_set_color_space</i> functions. The format is 0 = RGB; 1 = YCbCr 4:4:4; 2 = YCbCr 4:2:2; 3 = YCbCr 4:2:0. Edited typos in the following API functions: <ul style="list-style-type: none"> <i>btc_dptx_mst_conn_stat_notify_req</i> <i>btc_dptx_mst_link_address_req</i> <i>btc_dptx_mst_remote_dpcd_wr_req</i> <i>btc_dptx_mst_remote_i2c_rd_req</i> <i>btc_dptx_mst_set_color_space</i> <i>btc_dptx_mst_tavgts_set</i> <i>btc_dptxll_stream_set_pixel_rate</i> <i>btc_dptxll_syslib_add_tx</i>

Date	Version	Changes
November 2017	2017.11.06	<ul style="list-style-type: none"> Renamed DisplayPort IP core to Intel FPGA DisplayPort as per Intel rebranding. Changed the term Qsys to Platform Designer. Changed the term EyeQ to Eye Viewer as per Intel rebranding. Added advance support for Intel Cyclone 10 GX devices. Updated information that the Intel FPGA DisplayPort core now conforms to <i>Video Electronics Standards Association (VESA) DisplayPort Standard version 1.4</i>. Added data link rate support for HBR3 (8.10 Gbps). This rate is only available in quad symbols per clock for Intel Arria 10 and Intel Cyclone 10 GX devices in the Intel Quartus Prime Pro Edition software. Updated that the YCbCr 4:2:0 color format is fully supported starting 17.1 release. Updated the <i>Audio Interface</i> section to clarify that the audio packing format complies to both IEC-60958-1 and IEC-60958-3 standards.

continued...

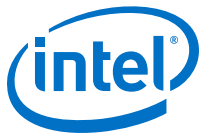


Date	Version	Changes
		<ul style="list-style-type: none"> Moved information about the Intel FPGA DisplayPort design example parameters to the respective design example user guides. Added a note in the <i>Secondary Stream Interface</i> sections about InfoFrame SDP support. Edited the following registers: <ul style="list-style-type: none"> DPRX_RX_CONTROL bits 10:8: Changed 111 from Reserved to Training pattern 4 DPRX_BER_CONTROL bits 1:0: Changed 00 to disparity error and code error counts and 10 to code error counts. DPTX0_MSA_COLOUR bit 13: Added a note that if you configure this bit to use VSC SDP, refer to the <i>VESA DisplayPort Standard version 1.4</i> for the VSC SDP Payload Pixel Encoding/Colorimetry Format. Y-Only and Raw format are not supported. DPTX_RECONFIG bits 1 and 0: Clarified that these bits automatically clear (0) after one clock cycle.
May 2017	2017.05.08	<ul style="list-style-type: none"> Rebranded as Intel. Added preliminary support for adaptive sync feature and YCbCr 4:2:0 color format. Updated the <i>Device Family Support</i> section with the recommended speed grades information. Added input data ordering information for YCbCr 4:2:0 color format. Added source support for proprietary video image format. <ul style="list-style-type: none"> Added information about the TX Video IM Enable parameter. Turn on to enable the video image interface. Turn off to use the traditional HSYNC/ VSYNC/DE video input interface. Added information about the video image interface and a table showing comparison between the two interfaces. Added information about rx_analog_reconfig interface for the sink's <i>Transceiver Management Interface</i> table. Added a note in the <i>Clocked Video Input Interface</i> section that the example given uses Intel's Clocked Video Input IP core. Added information that MST parameter now supports audio data channel.
October 2016	2016.10.31	<ul style="list-style-type: none"> Added information for the new Design Example parameters. Removed all Arria 10 design example related information. For more information about Arria 10 design examples, refer to the <i>DisplayPort IP Core Design Example User Guide</i>. Added information that MST parameter does not support audio data channel. Added information about audio support for 2 symbols per clock. Added information about DisplayPort MST source user application. Updated information that the tx_analogreset[n-1:0], tx_digitalreset[n-1:0], rx_analogreset[n-1:0], and rx_digitalreset[n-1:0] signals are required only for Arria V, Cyclone V, and Stratix V devices. Updated the API references. Added new tx_idx parameter in TX API to support multiple TX instance. Updated DisplayPort Sink and Source Register Map and DPCD locations.
May 2016	2016.05.02	<ul style="list-style-type: none"> Updated performance resource utilization information for 16.0 version. Added a note that the audio feature is not supported in dual symbol mode for link rates. Removed all information about TX MSA. The TX MSA will be automatically inserted by the DisplayPort source core. <ul style="list-style-type: none"> Removed the Import fixed MSA parameter. Removed the txN_msa_conduit signal.

continued...



Date	Version	Changes
		<ul style="list-style-type: none"> • Updated the DisplayPort source functional block diagram and updated or included information for the related paths: <ul style="list-style-type: none"> – Main link data path – Video packetizer path – Video geometry measurement path – Audio and secondary stream encoder path – Training and link quality patterns generator • Added new information for DisplayPort source: <ul style="list-style-type: none"> – Controller interface – Sideband channel • Updated the source audio interface section to include information about 1-channel audio over 2-channel audio and 3-channel audio over 8-channel audio. • Updated video data format information for the DisplayPort source and sink cores. • Added support for black video feature for DisplayPort sink core. • Updated the Typical Secondary Stream Packet diagram for DisplayPort sink - changed data [127:0] to data [159:0]. • Updated the DPTX_TX_CONTROL source register. • Added new information for DisplayPort hardware demonstration: <ul style="list-style-type: none"> – DisplayPort Link Training Flow – DisplayPort Post Link Training Adjust Request Flow (LQA) • Added links to archived versions of the <i>DisplayPort IP Core User Guide</i>.
November 2015	2015.11.02	<ul style="list-style-type: none"> • Changed instances of <i>Quartus II</i> to <i>Intel Quartus Prime</i>. • Updated performance resource utilization information for 15.1 version. • Removed information about <code>tx_vid_f</code>. The <code>tx_vid_f</code> pin is removed from the DisplayPort IP core because the signal is now handled internally by the core.. • Added a new port, <code>rx_restart</code>, for RX transceiver interface. This port resets the RX PHY reset controller when RX data loses alignment. Only applicable for Arria 10 devices. • Added specific settings for Arria 10 Transceiver Native PHY, and Arria 10 hardware demonstration files for the DisplayPort hardware demonstration. • Added a new DisplayPort API function, <code>bt_c_dptx_hpd_change</code>.
May 2015	2015.05.04	<ul style="list-style-type: none"> • Added Arria 10 support. • Updated color support: <ul style="list-style-type: none"> – RGB—18, 24, 30, 36, or 48 bpp – YCbCr 4:4:4—24, 30, 36, or 48 bpp – YCbCr 4:2:2—16, 20, 24, or 32 bpp • Removed information about Link Quality Generation register. These bits are now combined into the DPTX_TX_CONTROL register. • Added information about DPTX_TEST_80BIT_PATTERN1–3 bits. • Added source-supported DPCD locations. • Added new sink-supported DPCD location bits: TEST_REQUEST, TEST_LINK_RATE, TEST_LANE_COUNT, PHY_TEST_PATTERN, and TEST_80BIT_CUSTOM_PATTERN. • Added Arria 10 information for the DisplayPort IP core hardware demonstration and simulation example.
December 2014	2014.12.30	<p>Edited the DisplayPort RX link rate (Clock Recovery interface) for HBR2 from 4.50 Gbps to 5.40 Gbps.</p>
<i>continued...</i>		



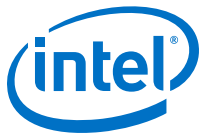
Date	Version	Changes
December 2014	2014.12.15	<ul style="list-style-type: none">• Added information about multi-stream support (MST, 1 to 4 source and sink streams). You can access this feature using these parameters:<ul style="list-style-type: none">– Support MST– Max stream count• Added support for 4Kp60 resolution.• Added information about clock recovery feature for the hardware demonstration.• Removed information for double reference clocks (162MHz and 270MHz) for transceiver clocking. The IP core no longer supports double reference clocks.• Added new source registers:<ul style="list-style-type: none">– 0x00a0 (DPTX_MST_CONTROL1)– 0x00a2 (DPTX_MST_VCPTAB0)– 0x00a3 (DPTX_MST_VCPTAB)– 0x00a3 (DPTX_MST_VCPTAB1)– 0x00a4 (DPTX_MST_VCPTAB2)– 0x00a5 (DPTX_MST_VCPTAB3)– 0x00a6 (DPTX_MST_VCPTAB4)– 0x00a7 (DPTX_MST_VCPTAB5)– 0x00a8 (DPTX_MST_VCPTAB6)– 0x00a9 (DPTX_MST_VCPTAB7)– 0x00aa (DPTX_MST_TAVG_TS)• Added new sink registers:<ul style="list-style-type: none">– 0x0006 (DPRX_BER_CNTI0)– 0x0007 (DPRX_BER_CNTI1)– 0x00a0 (DPRX_MST_CONTROL1)– 0x00a1 (DPRX_MST_STATUS1)– 0x00a2 (DPRX_MST_VCPTAB0)– 0x00a3 (DPRX_MST_VCPTAB1)– 0x00a4 (DPRX_MST_VCPTAB2)– 0x00a5 (DPRX_MST_VCPTAB3)– 0x00a6 (DPRX_MST_VCPTAB4)– 0x00a7 (DPRX_MST_VCPTAB5)– 0x00a8 (DPRX_MST_VCPTAB6)– 0x00a9 (DPRX_MST_VCPTAB7)

continued...



Date	Version	Changes								
		<ul style="list-style-type: none"> • Changed the value of the following source register bits: <ul style="list-style-type: none"> – 0x0000 - Bits RX_LINK_RATE – 0x0001 - Bits RX_LINK_RATE – 0x0002 - Bits RSTI3, RSTI2, RSTI1, RSTI0 • Added new signals: <table border="1" style="width: 100%; border-collapse: collapse;"> <tr> <td style="width: 50%; padding: 2px;">clk_cal</td> <td style="width: 50%; padding: 2px;">Calibration clock for transceiver management interface</td> </tr> <tr> <td style="padding: 2px;">tx_link_rate_8bits rx_link_rate_8bits</td> <td style="padding: 2px;">Main link rate expressed in multiples of 270Mbps –</td> </tr> <tr> <td style="padding: 2px;">txN_video_in txN_vid_clk txN_audio txN_audio_clk txN_ss txN_msa_conduit</td> <td style="padding: 2px;">TX signals for Stream 1, 2, and 3</td> </tr> <tr> <td style="padding: 2px;">rxN_video_out rxN_vid_clk rxN_audio rxN_ss rxN_msa_conduit rxN_stream</td> <td style="padding: 2px;">RX signals for Stream 1, 2, and 3</td> </tr> </table> • Changed the following signal names: <ul style="list-style-type: none"> – rx_xcvr_clkout to rx_ss_clk – tx_xcvr_clkout to tx_ss_clk 	clk_cal	Calibration clock for transceiver management interface	tx_link_rate_8bits rx_link_rate_8bits	Main link rate expressed in multiples of 270Mbps –	txN_video_in txN_vid_clk txN_audio txN_audio_clk txN_ss txN_msa_conduit	TX signals for Stream 1, 2, and 3	rxN_video_out rxN_vid_clk rxN_audio rxN_ss rxN_msa_conduit rxN_stream	RX signals for Stream 1, 2, and 3
clk_cal	Calibration clock for transceiver management interface									
tx_link_rate_8bits rx_link_rate_8bits	Main link rate expressed in multiples of 270Mbps –									
txN_video_in txN_vid_clk txN_audio txN_audio_clk txN_ss txN_msa_conduit	TX signals for Stream 1, 2, and 3									
rxN_video_out rxN_vid_clk rxN_audio rxN_ss rxN_msa_conduit rxN_stream	RX signals for Stream 1, 2, and 3									
June 2014	2014.06.30	<ul style="list-style-type: none"> • Native PHY is removed from the IP core; included information about how to instantiate the PHY outside the DisplayPort IP core. • Updated the source and sink block diagrams. • Updated the source and sink register map information. • Added new sink register bits: <ul style="list-style-type: none"> – LQA_ACTIVE – PHY_SINK_TEST_LANE_SEL – PHY_SINK_TEST_LANE_EN – AUX_IRQ_EN – TX_STROBE – DPRX_AUX_STATUS bits – DPRX_AUX_I2C0 bits – DPRX_AUX_I2C0 bits – DPRX_AUX_HPD bits • Removed these sink register bits: <ul style="list-style-type: none"> – HPD_IRQ – HPD_EN – DPRX_AUX_IRQ_EN bits • Added a new source register bit: <ul style="list-style-type: none"> – VTOTAL • Added source TX transceiver interface signals • Removed these source signals: <ul style="list-style-type: none"> – xcvr_refclk – tx_serial_data – xcvr_reconfig 								

continued...



Date	Version	Changes
		<ul style="list-style-type: none">• Added sink audio and RX transceiver interface signals.• Removed these sink signals:<ul style="list-style-type: none">– xcvr_refclk– rx_serial_data– xcvr_reconfig• Added information about Transceiver Reconfiguration Interface for source and sink.• Added information about single clock reference (135 MHz) for source and sink.• Added information about Bitec HSMC DisplayPort daughter card in the <i>Hardware Demonstration</i> chapter.• Updated the API reference.
November 2013	13.1	<ul style="list-style-type: none">• Updated the source and sink register map information.• Added dual and quad pixel mode support.• Added support for quad symbol (40-bit) transceiver data interface.• Added support for Cyclone V devices.• Added HBR2 support for Arria V and Arria V GZ devices.• Added information about eDP support.• Updated the API reference.
May 2013	13.0	<ul style="list-style-type: none">• Added information on audio support.• Added HBR2 support for Stratix V devices.• Added information on secondary data support.
February 2013	12.1 SP1 (Beta)	Second beta release: <ul style="list-style-type: none">• Updated the filenames for the hardware demonstration and simulation example.• Added chapter describing the IP core's compilation example.• Miscellaneous updates.
December 2012	12.1 (Beta)	Initial beta release.



Компания «ЭлектроПласт» предлагает заключение долгосрочных отношений при поставках импортных электронных компонентов на взаимовыгодных условиях!

Наши преимущества:

- Оперативные поставки широкого спектра электронных компонентов отечественного и импортного производства напрямую от производителей и с крупнейших мировых складов;
- Поставка более 17-ти миллионов наименований электронных компонентов;
- Поставка сложных, дефицитных, либо снятых с производства позиций;
- Оперативные сроки поставки под заказ (от 5 рабочих дней);
- Экспресс доставка в любую точку России;
- Техническая поддержка проекта, помощь в подборе аналогов, поставка прототипов;
- Система менеджмента качества сертифицирована по Международному стандарту ISO 9001;
- Лицензия ФСБ на осуществление работ с использованием сведений, составляющих государственную тайну;
- Поставка специализированных компонентов (Xilinx, Altera, Analog Devices, Intersil, Interpoint, Microsemi, Aeroflex, Peregrine, Syfer, Eurofarad, Texas Instrument, Miteq, Cobham, E2V, MA-COM, Hittite, Mini-Circuits, General Dynamics и др.);

Помимо этого, одним из направлений компании «ЭлектроПласт» является направление «Источники питания». Мы предлагаем Вам помощь Конструкторского отдела:

- Подбор оптимального решения, техническое обоснование при выборе компонента;
- Подбор аналогов;
- Консультации по применению компонента;
- Поставка образцов и прототипов;
- Техническая поддержка проекта;
- Защита от снятия компонента с производства.



Как с нами связаться

Телефон: 8 (812) 309 58 32 (многоканальный)

Факс: 8 (812) 320-02-42

Электронная почта: org@eplast1.ru

Адрес: 198099, г. Санкт-Петербург, ул. Калинина, дом 2, корпус 4, литера А.