



## FEATURES

- 3.3V and 5V power supply options
- 250ps propagation delay
- High bandwidth output transitions
- Internal 75K $\Omega$  input pull-down resistors
- Replaces SY10/100EL16
- Improved output waveform characteristics
- Available in 8-pin (3x3mm) MSOP and SOIC package

## DESCRIPTION

The SY10/100EL16V are differential receivers. The devices are functionally equivalent to the E116 devices, with higher performance capabilities. With output transition times significantly faster than the E116, the EL16V is ideally suited for interfacing with high-frequency sources.

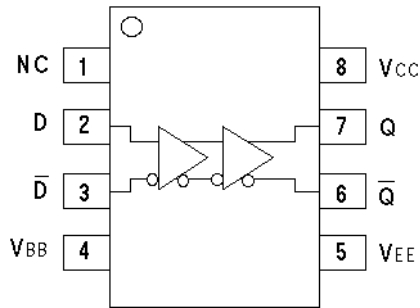
The EL16V provides a VBB output for either single-ended use or as a DC bias for AC coupling to the device. The VBB pin should be used only as a bias for the EL16V as its current sink/source capability is limited. Whenever used, the VBB pin should be bypassed to ground via a 0.01 $\mu$ F capacitor.

Under open input conditions (pulled to VEE), internal input clamps will force the Q output LOW.

## PIN NAMES

| Pin | Function                 |
|-----|--------------------------|
| D   | Data Inputs              |
| Q   | Data Outputs             |
| VBB | Reference Voltage Output |

**PACKAGE/ORDERING INFORMATION**



8-Pin MSOP (K8-1)  
8-Pin SOIC (Z8-1)

**Ordering Information<sup>(1)</sup>**

| Part Number                      | Package Type | Operating Range | Package Marking                        | Lead Finish    |
|----------------------------------|--------------|-----------------|--|----------------|
| SY10EL16VKC                      | K8-1         | Commercial      | HEL16V                                 | Sn-Pb          |
| SY10EL16VKCTR <sup>(2)</sup>     | K8-1         | Commercial      | HEL16V                                 | Sn-Pb          |
| SY100EL16VKC                     | K8-1         | Commercial      | XEL16V                                 | Sn-Pb          |
| SY100EL16VKCTR <sup>(2)</sup>    | K8-1         | Commercial      | XEL16V                                 | Sn-Pb          |
| SY10EL16VZC                      | Z8-1         | Commercial      | HEL16V                                 | Sn-Pb          |
| SY10EL16VZCTR <sup>(2)</sup>     | Z8-1         | Commercial      | XEL16V                                 | Sn-Pb          |
| SY100EL16VZC                     | Z8-1         | Commercial      | HEL16V                                 | Sn-Pb          |
| SY100EL16VZCTR <sup>(2)</sup>    | Z8-1         | Commercial      | XEL16V                                 | Sn-Pb          |
| SY10EL16VKI                      | K8-1         | Industrial      | HEL16V                                 | Sn-Pb          |
| SY10EL16VKITR <sup>(2)</sup>     | K8-1         | Industrial      | HEL16V                                 | Sn-Pb          |
| SY100EL16VKI                     | K8-1         | Industrial      | XEL16V                                 | Sn-Pb          |
| SY100EL16VKITR <sup>(2)</sup>    | K8-1         | Industrial      | XEL16V                                 | Sn-Pb          |
| SY10EL16VZI                      | Z8-1         | Industrial      | HEL16V                                 | Sn-Pb          |
| SY10EL16VZITR <sup>(2)</sup>     | Z8-1         | Industrial      | XEL16V                                 | Sn-Pb          |
| SY100EL16VZI                     | Z8-1         | Industrial      | HEL16V                                 | Sn-Pb          |
| SY100EL16VZITR <sup>(2)</sup>    | Z8-1         | Industrial      | XEL16V                                 | Sn-Pb          |
| SY10EL16VKG <sup>(3)</sup>       | K8-1         | Industrial      | H16V with Pb-Free bar-line indicator   | Pb-Free NiPdAu |
| SY10EL16VKGTR <sup>(2, 3)</sup>  | K8-1         | Industrial      | H16V with Pb-Free bar-line indicator   | Pb-Free NiPdAu |
| SY100EL16VKG <sup>(3)</sup>      | K8-1         | Industrial      | X16V with Pb-Free bar-line indicator   | Pb-Free NiPdAu |
| SY100EL16VKGTR <sup>(2, 3)</sup> | K8-1         | Industrial      | X16V with Pb-Free bar-line indicator   | Pb-Free NiPdAu |
| SY10EL16VZG <sup>(3)</sup>       | Z8-1         | Industrial      | HEL16V with Pb-Free bar-line indicator | Pb-Free NiPdAu |
| SY10EL16VZGTR <sup>(2, 3)</sup>  | Z8-1         | Industrial      | HEL16V with Pb-Free bar-line indicator | Pb-Free NiPdAu |
| SY100EL16VZG <sup>(2)</sup>      | Z8-1         | Industrial      | XEL16V with Pb-Free bar-line indicator | Pb-Free NiPdAu |
| SY100EL16VZGTR <sup>(2, 3)</sup> | Z8-1         | Industrial      | XEL16V with Pb-Free bar-line indicator | Pb-Free NiPdAu |

**Notes:**

1. Contact factory for die availability. Dice are guaranteed at T<sub>A</sub> = 25°C, DC Electricals only.
2. Tape and Reel.
3. Pb-Free package is recommended for new designs.

**PRODUCT/PROCESS INFORMATION**

|             |   |
|-------------|---|
| Process:    | Bipolar   |
| ESD Rating: | Per Mil Std. 883 Human Body Model, >2.0kV (all pins). |

**ABSOLUTE MAXIMUM RATINGS<sup>(1)</sup>**

| Symbol             | Rating   | Value                  | Unit         |
|--------------------|--|------------------------|--------------|
| V <sub>CC</sub>    | Power Supply Voltage (V <sub>EE</sub> = 0)   | +6.0 to 0              | V            |
| V <sub>EE</sub>    | Power Supply Voltage (V <sub>CC</sub> = 0)   | -6.0 to 0              | V            |
| V <sub>IN</sub>    | Input Voltage (V <sub>CC</sub> = 0V, V <sub>IN</sub> not more negative than V <sub>EE</sub> )<br>Input Voltage (V <sub>EE</sub> = 0V, V <sub>IN</sub> not more positive than V <sub>CC</sub> ) | -6.0 to 0<br>+6.0 to 0 | V<br>V       |
| I <sub>OUT</sub>   | Output Current<br>-Continuous<br>-Surge  | 50<br>100              | mA           |
| T <sub>LEAD</sub>  | Lead Temperature Range (soldering, 20sec.)   | +260                   | °C           |
| T <sub>A</sub>     | Operating Temperature Range  | -40 to +85             | °C           |
| T <sub>store</sub> | Storage Temperature Range  | -65 to +150            | °C           |
| θ <sub>JA</sub>    | Thermal Resistance (Junction-to-Ambient)<br>-Still Air<br>-500lfpm   | 160<br>109             | °C/W<br>°C/W |
| θ <sub>JC</sub>    | Thermal Resistance (Junction-to-Case)  | 39                     | °C/W         |
| ESD                | Mil Std. 883 Human Body Model, All Pins  | >2.0k                  | V            |

**Note 1.** Permanent device damage may occur if absolute maximum ratings are exceeded. This is a stress rating only and functional operation is not implied at conditions other than those detailed in the operational sections of this data sheet. Exposure to absolute maximum rating conditions for extended periods may affect device reliability.

**DC ELECTRICAL CHARACTERISTICS<sup>(1, 2)</sup>**

V<sub>EE</sub> = V<sub>EE</sub> (Min.) to V<sub>EE</sub> (Max.); V<sub>CC</sub> = GND

| Symbol          | Parameter                | T <sub>A</sub> = -40°C |      |       | T <sub>A</sub> = 0°C |      |       | T <sub>A</sub> = +25°C |      |       | T <sub>A</sub> = +85°C |      |       | Unit |
|-----------------|--------------------------|------------------------|------|-------|----------------------|------|-------|------------------------|------|-------|------------------------|------|-------|------|
|                 |                          | Min.                   | Typ. | Max.  | Min.                 | Typ. | Max.  | Min.                   | Typ. | Max.  | Min.                   | Typ. | Max.  |      |
| I <sub>EE</sub> | Power Supply Current     |                        |      |       |                      |      |       |                        |      |       |                        |      |       | mA   |
|                 | 10EL                     | —                      | 18   | 22    | 9                    | 18   | 22    | 9                      | 18   | 22    | 9                      | 18   | 22    |      |
|                 | 100EL                    | —                      | 18   | 22    | 9                    | 18   | 22    | 9                      | 18   | 22    | 9                      | 21   | 26    |      |
| V <sub>BB</sub> | Output Reference Voltage |                        |      |       |                      |      |       |                        |      |       |                        |      |       | V    |
|                 | 10EL                     | -1.43                  | —    | -1.30 | -1.38                | —    | -1.27 | -1.35                  | —    | -1.25 | -1.31                  | —    | -1.19 |      |
|                 | 100EL                    | -1.38                  | —    | -1.26 | -1.38                | —    | -1.26 | -1.38                  | —    | -1.26 | -1.38                  | —    | -1.26 |      |
| I <sub>IH</sub> | Input HIGH Current       | —                      | —    | 150   | —                    | —    | 150   | —                      | —    | 150   | —                      | —    | 150   | µA   |

**Note 1.** Parametric values specified at: 10/100EL16V Series: -3.0V to -5.5V.

**Note 2.** specification for packaged product only.

**AC ELECTRICAL CHARACTERISTICS<sup>(1, 5)</sup>**V<sub>EE</sub> = V<sub>EE</sub> (Min.) to V<sub>EE</sub> (Max.); V<sub>CC</sub> = GND

| Symbol                           | Parameter                                | T <sub>A</sub> = -40°C |      |      | T <sub>A</sub> = 0°C |      |      | T <sub>A</sub> = +25°C |      |      | T <sub>A</sub> = +85°C |      |      | Unit |
|----------------------------------|--|------------------------|------|------|----------------------|------|------|------------------------|------|------|------------------------|------|------|------|
|                                  |  | Min.                   | Typ. | Max. | Min.                 | Typ. | Max. | Min.                   | Typ. | Max. | Min.                   | Typ. | Max. |      |
| t <sub>PD</sub>                  | Propagation Delay to Output              |                        |      |      |                      |      |      |                        |      |      |                        |      |      | ps   |
|                                  | D (Diff)                                 | 125                    | 250  | 375  | 175                  | 250  | 325  | 175                    | 250  | 325  | 205                    | 280  | 355  |      |
|                                  | D (SE)                                   | 75                     | 250  | 425  | 125                  | 250  | 375  | 125                    | 250  | 375  | 155                    | 280  | 405  |      |
| t <sub>skew</sub>                | Duty Cycle Skew <sup>(2)</sup> (Diff)    | —                      | 5    | —    | —                    | 5    | 20   | —                      | 5    | 20   | —                      | 5    | 20   | ps   |
| V <sub>PP</sub>                  | Minimum Input Swing <sup>(3)</sup>       | 150                    | —    | —    | 150                  | —    | —    | 150                    | —    | —    | 150                    | —    | —    | mV   |
| V <sub>CMR</sub>                 | Common Mode Range <sup>(4)</sup>         | -1.3                   | —    | -0.4 | -1.4                 | —    | -0.4 | -1.4                   | —    | -0.4 | -1.4                   | —    | -0.4 | V    |
| t <sub>r</sub><br>t <sub>f</sub> | Output Rise/Fall Times Q<br>(20% to 80%) | 100                    | 225  | 350  | 100                  | 225  | 350  | 100                    | 225  | 350  | 100                    | 225  | 350  | ps   |

**Note 1.** Parametric values specified at: 10/100EL16V Series: -3.0V to -5.5V.**Note 2.** Duty cycle skew is the difference between a t<sub>PLH</sub> and t<sub>PHL</sub> propagation delay through a device.**Note 3.** Minimum input swing for which AC parameters are guaranteed. The device has a DC gain of ≈40.**Note 4.** The CMR range is referenced to the most positive side of the differential input signal. Normal operation is obtained if the HIGH level falls within the specified range and the peak-to-peak voltage lies between V<sub>PP</sub> min. and 1V. The lower end of the CMR range varies 1:1 with V<sub>EE</sub>. The numbers in the spec table assume a nominal V<sub>EE</sub> = -3.3V. Note for PECL operation, the V<sub>CMR</sub> (min) will be fixed at 3.3V - |V<sub>CMR</sub> (min)|.**Note 5.** Specification for packaged product only.

**8-PIN MSOP (K8-1)**

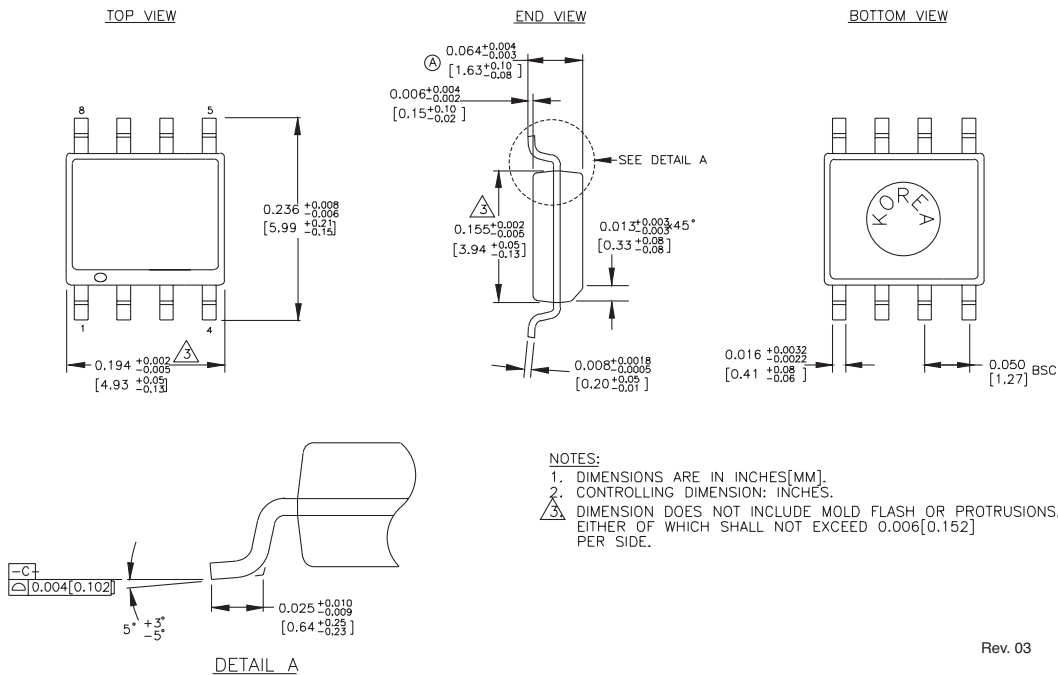


Rev. 01

**Package Notes:**

**Note 1.** Package meets Level 1 moisture sensitivity.

**8-PIN SOIC(Z8-1)**



**Package Notes:**

**Note 1.** Package meets Level 1 moisture sensitivity.

**MICREL, INC. 2180 FORTUNE DRIVE SAN JOSE, CA 95131 USA**

TEL + 1 (408) 944-0800 FAX + 1 (408) 474-1000 WEB <http://www.micrel.com>

The information furnished by Micrel in this datasheet is believed to be accurate and reliable. However, no responsibility is assumed by Micrel for its use. Micrel reserves the right to change circuitry and specifications at any time without notification to the customer.

Micrel Products are not designed or authorized for use as components in life support appliances, devices or systems where malfunction of a product can reasonably be expected to result in personal injury. Life support devices or systems are devices or systems that (a) are intended for surgical implant into the body or (b) support or sustain life, and whose failure to perform can be reasonably expected to result in a significant injury to the user. A Purchaser's use or sale of Micrel Products for use in life support appliances, devices or systems is at Purchaser's own risk and Purchaser agrees to fully indemnify Micrel for any damages resulting from such use or sale.

© 2006 Micrel, Incorporated.



Компания «ЭлектроПласт» предлагает заключение долгосрочных отношений при поставках импортных электронных компонентов на взаимовыгодных условиях!

Наши преимущества:

- Оперативные поставки широкого спектра электронных компонентов отечественного и импортного производства напрямую от производителей и с крупнейших мировых складов;
- Поставка более 17-ти миллионов наименований электронных компонентов;
- Поставка сложных, дефицитных, либо снятых с производства позиций;
- Оперативные сроки поставки под заказ (от 5 рабочих дней);
- Экспресс доставка в любую точку России;
- Техническая поддержка проекта, помощь в подборе аналогов, поставка прототипов;
- Система менеджмента качества сертифицирована по Международному стандарту ISO 9001;
- Лицензия ФСБ на осуществление работ с использованием сведений, составляющих государственную тайну;
- Поставка специализированных компонентов (Xilinx, Altera, Analog Devices, Intersil, Interpoint, Microsemi, Aeroflex, Peregrine, Syfer, Eurofarad, Texas Instrument, Miteq, Cobham, E2V, MA-COM, Hittite, Mini-Circuits, General Dynamics и др.);

Помимо этого, одним из направлений компании «ЭлектроПласт» является направление «Источники питания». Мы предлагаем Вам помощь Конструкторского отдела:

- Подбор оптимального решения, техническое обоснование при выборе компонента;
- Подбор аналогов;
- Консультации по применению компонента;
- Поставка образцов и прототипов;
- Техническая поддержка проекта;
- Защита от снятия компонента с производства.



#### Как с нами связаться

**Телефон:** 8 (812) 309 58 32 (многоканальный)

**Факс:** 8 (812) 320-02-42

**Электронная почта:** [org@eplast1.ru](mailto:org@eplast1.ru)

**Адрес:** 198099, г. Санкт-Петербург, ул. Калинина, дом 2, корпус 4, литера А.