

FEATURES

0.8 Ω typical on resistance
Less than 1 Ω maximum on resistance at 85°C
1.8 V to 5.5 V single supply
High current carrying capability: 300 mA continuous
Rail-to-rail switching operation
Fast-switching times: <17 ns
Typical power consumption: <0.1 μ W
1.30 mm \times 1.60 mm mini LFCSP

APPLICATIONS

Cellular phones
PDA's
MP3 players
Power routing
Battery-powered systems
PCMCIA cards
Modems
Audio and video signal routing
Communication systems

GENERAL DESCRIPTION

The ADG854 is a low voltage CMOS device containing two independently selectable single-pole, double-throw (SPDT) switches. This device offers ultralow on resistance of <1 Ω over the full temperature range. The ADG854 is fully specified for 5.5 V and 3.3 V supply operation.

Each switch conducts equally well in both directions when on and has an input signal range that extends to the supplies. The ADG854 exhibits break-before-make switching action.

The ADG854 is available in a 1.3 mm \times 1.6 mm 10-lead mini LFCSP.

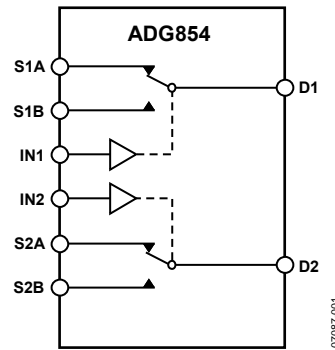
FUNCTIONAL BLOCK DIAGRAM


Figure 1.

PRODUCT HIGHLIGHTS

1. <1 Ω over full temperature range of -40°C to $+85^{\circ}\text{C}$.
2. Single 1.8 V to 5.5 V operation.
3. Compatible with 1.8 V CMOS logic.
4. High current handling capability: 300 mA continuous current per channel.
5. Low THD + N: 0.08% typical.
6. 1.30 mm \times 1.60 mm mini LFCSP.

Rev. 0

Information furnished by Analog Devices is believed to be accurate and reliable. However, no responsibility is assumed by Analog Devices for its use, nor for any infringements of patents or other rights of third parties that may result from its use. Specifications subject to change without notice. No license is granted by implication or otherwise under any patent or patent rights of Analog Devices. Trademarks and registered trademarks are the property of their respective owners.

TABLE OF CONTENTS

Features	1	ESD Caution.....	5
Applications.....	1	Pin Configurations and Function Description.....	6
Functional Block Diagram	1	Typical Performance Characteristics	7
General Description	1	Test Circuits.....	10
Product Highlights	1	Terminology	12
Revision History	2	Outline Dimensions	13
Specifications.....	3	Ordering Guide	13
Absolute Maximum Ratings.....	5		

REVISION HISTORY

6/08—Revision 0: Initial Version

SPECIFICATIONS

$V_{DD} = 4.2\text{ V to }5.5\text{ V}$, $GND = 0\text{ V}$, unless otherwise noted.

Table 1.

Parameter	+25°C	−40°C to +85°C	Unit	Test Conditions/Comments
ANALOG SWITCH				
Analog Signal Range		0 to V_{DD}	V	
On Resistance, R_{ON}	0.8		Ω typ	$V_{DD} = 4.2\text{ V}$, $V_S = 0\text{ V to }V_{DD}$, $I_{DS} = 100\text{ mA}$; see Figure 16
	0.85	1	Ω max	
On Resistance Match Between Channels, ΔR_{ON}	0.02		Ω typ	$V_{DD} = 4.2\text{ V}$, $V_S = 0\text{ V to }V_{DD}$, $I_{DS} = 100\text{ mA}$
		0.04	Ω max	
On Resistance Flatness, $R_{FLAT(ON)}$	0.17		Ω typ	$V_{DD} = 4.2\text{ V}$, $V_S = 0\text{ V to }V_{DD}$, $I_{DS} = 100\text{ mA}$
		0.23	Ω max	
LEAKAGE CURRENTS				
Source Off Leakage, I_S (Off)	± 10		$\mu\text{A typ}$	$V_{DD} = 5.5\text{ V}$ $V_S = 0.6\text{ V}/4.2\text{ V}$, $V_D = 4.2\text{ V}/0.6\text{ V}$; see Figure 17
Channel On Leakage, I_D , I_S (On)	± 30		$\mu\text{A typ}$	$V_S = V_D = 0.6\text{ V or }4.2\text{ V}$; see Figure 18
DIGITAL INPUTS				
Input High Voltage, V_{INH}		2.0	V min	
Input Low Voltage, V_{INL}		0.8	V max	
Input Current				
I_{INL} or I_{INH}	0.002		$\mu\text{A typ}$	$V_{IN} = V_{GND}$ or V_{DD}
		0.05	$\mu\text{A max}$	
Digital Input Capacitance, C_{IN}	2.5		pF typ	
DYNAMIC CHARACTERISTICS¹				
t_{ON}	17		ns typ	$R_L = 50\ \Omega$, $C_L = 35\text{ pF}$
	23	28	ns max	$V_S = 3\text{ V}/0\text{ V}$; see Figure 19
t_{OFF}	6		ns typ	$R_L = 50\ \Omega$, $C_L = 35\text{ pF}$
	8.5	9.2	ns max	$V_S = 3\text{ V}$; see Figure 19
Break-Before-Make Time Delay, t_{BBM}	14		ns typ	$R_L = 50\ \Omega$, $C_L = 35\text{ pF}$
		8	ns min	$V_{S1} = V_{S2} = 1.5\text{ V}$; see Figure 20
Charge Injection	30		pC typ	$V_S = 1.5\text{ V}$, $R_S = 0\ \Omega$, $C_L = 1\text{ nF}$; see Figure 21
Off Isolation	−75		dB typ	$R_L = 50\ \Omega$, $C_L = 5\text{ pF}$, $f = 100\text{ kHz}$; see Figure 22
Channel-to-Channel Crosstalk	−85		dB typ	S1A to S2A/S1B to S2B, $R_L = 50\ \Omega$, $C_L = 5\text{ pF}$, $f = 100\text{ kHz}$; see Figure 25
	−73		dB typ	S1A to S1B/S2A to S2B, $R_L = 50\ \Omega$, $C_L = 5\text{ pF}$, $f = 100\text{ kHz}$; see Figure 24
Total Harmonic Distortion + Noise, THD + N	0.08		% typ	$R_L = 32\ \Omega$, $f = 20\text{ Hz to }20\text{ kHz}$, $V_S = 3.5\text{ V p-p}$
Insertion Loss	−0.06		dB typ	$R_L = 50\ \Omega$, $C_L = 5\text{ pF}$; see Figure 23
−3 dB Bandwidth	100		MHz typ	$R_L = 50\ \Omega$, $C_L = 5\text{ pF}$; see Figure 23
C_S (Off)	19.5		pF typ	
C_D , C_S (On)	50		pF typ	
POWER REQUIREMENTS				
I_{DD}	0.002		$\mu\text{A typ}$	$V_{DD} = 5.5\text{ V}$ Digital inputs = 0 V or 5.5 V
		1.0	$\mu\text{A max}$	

¹ Guaranteed by design, not subject to production test.

ADG854

$V_{DD} = 2.7\text{ V}$ to 3.6 V , $GND = 0\text{ V}$, unless otherwise noted.

Table 2.

Parameter	+25°C	−40°C to +85°C	Unit	Test Conditions/Comments
ANALOG SWITCH				
Analog Signal Range		0 to V_{DD}	V	
On Resistance, R_{ON}	1.3		Ω typ	$V_{DD} = 2.7\text{ V}$, $V_S = 0\text{ V}$ to V_{DD} , $I_{DS} = 100\text{ mA}$; see Figure 16
	1.5	1.7	Ω max	
On Resistance Match Between Channels, ΔR_{ON}	0.03		Ω typ	$V_{DD} = 2.7\text{ V}$, $V_S = 0.6\text{ V}$, $I_{DS} = 100\text{ mA}$
		0.05	Ω max	
On Resistance Flatness, $R_{FLAT(ON)}$	0.48		Ω typ	$V_{DD} = 2.7\text{ V}$, $V_S = 0\text{ V}$ to V_{DD} , $I_{DS} = 100\text{ mA}$
		0.66	Ω max	
LEAKAGE CURRENTS				
Source Off Leakage, I_S (Off)	± 10		pA typ	$V_{DD} = 3.6\text{ V}$ $V_S = 0.6\text{ V}/3.3\text{ V}$, $V_D = 3.3\text{ V}/0.6\text{ V}$; see Figure 17
Channel On Leakage, I_D , I_S (On)	± 30		pA typ	$V_S = V_D = 0.6\text{ V}$ or 3.3 V ; see Figure 18
DIGITAL INPUTS				
Input High Voltage, V_{INH}		1.35	V min	
Input Low Voltage, V_{INL}		0.7	V max	
Input Current				
I_{INL} or I_{INH}	0.002		μA typ	$V_{IN} = V_{GND}$ or V_{DD}
		0.05	μA max	
Digital Input Capacitance, C_{IN}	4		pF typ	
DYNAMIC CHARACTERISTICS¹				
t_{ON}	25		ns typ	$R_L = 50\ \Omega$, $C_L = 35\text{ pF}$
	37	43	ns max	$V_S = 1.5\text{ V}/0\text{ V}$; see Figure 19
t_{OFF}	7		ns typ	$R_L = 50\ \Omega$, $C_L = 35\text{ pF}$
	7.4	8	ns max	$V_S = 1.5\text{ V}$; see Figure 19
Break-Before-Make Time Delay, t_{BBM}	22		ns typ	$R_L = 50\ \Omega$, $C_L = 35\text{ pF}$
		13	ns min	$V_{S1} = V_{S2} = 1\text{ V}$; see Figure 20
Charge Injection	23		pC typ	$V_S = 1.5\text{ V}$, $R_S = 0\text{ V}$, $C_L = 1\text{ nF}$; see Figure 21
Off Isolation	−75		dB typ	$R_L = 50\ \Omega$, $C_L = 5\text{ pF}$, $f = 100\text{ kHz}$; see Figure 22
Channel-to-Channel Crosstalk	−85		dB typ	S1A to S2A/S1B to S2B; $R_L = 50\ \Omega$, $C_L = 5\text{ pF}$, $f = 100\text{ kHz}$; see Figure 25
	−73		dB typ	S1A to S1B/S2A to S2B; $R_L = 50\ \Omega$, $C_L = 5\text{ pF}$, $f = 100\text{ kHz}$; see Figure 24
Total Harmonic Distortion, THD	0.15		% typ	$R_L = 32\ \Omega$, $f = 20\text{ Hz}$ to 20 kHz , $V_S = 1.5\text{ V p-p}$
Insertion Loss	−0.07		dB typ	$R_L = 50\ \Omega$, $C_L = 5\text{ pF}$; see Figure 23
−3 dB Bandwidth	100		MHz typ	$R_L = 50\ \Omega$, $C_L = 5\text{ pF}$; see Figure 23
C_S (Off)	20		pF typ	
C_D , C_S (On)	52		pF typ	
POWER REQUIREMENTS				
I_{DD}	0.002		μA typ	$V_{DD} = 3.6\text{ V}$ Digital inputs = 0 V or 3.6 V
		1.0	μA max	

¹ Guaranteed by design, not subject to production test.

ABSOLUTE MAXIMUM RATINGS

$T_A = 25^\circ\text{C}$, unless otherwise noted.

Table 3.

Parameter	Rating
V_{DD} to GND	-0.3 V to +6 V
Analog Inputs ¹	-0.3 V to $V_{DD} + 0.3$ V
Digital Inputs ¹	-0.3 V to $V_{DD} + 0.3$ V or 10 mA, whichever occurs first
Peak Current per Channel, S or D	500 mA (pulsed at 1 ms, 10% duty cycle maximum)
Continuous Current per Channel, S or D	300 mA
Operating Temperature Range	-40°C to +85°C
Storage Temperature Range	-65°C to +150°C
Junction Temperature	150°C
10-Lead Mini LFCSP	
θ_{JA} Thermal Impedance, 3-Layer Board	131.6°C/W
Reflow Soldering, Pb-Free	
Peak Temperature	260(+0/-5)°C
Time at Peak Temperature	10 sec to 40 sec

¹ Overvoltages at IN, S, or D are clamped by internal diodes. Current should be limited to the maximum ratings given.

Stresses above those listed under Absolute Maximum Ratings may cause permanent damage to the device. This is a stress rating only; functional operation of the device at these or any other conditions above those indicated in the operational section of this specification is not implied. Exposure to absolute maximum rating conditions for extended periods may affect device reliability.

Only one absolute maximum rating may be applied at any one time.

ESD CAUTION



ESD (electrostatic discharge) sensitive device. Charged devices and circuit boards can discharge without detection. Although this product features patented or proprietary protection circuitry, damage may occur on devices subjected to high energy ESD. Therefore, proper ESD precautions should be taken to avoid performance degradation or loss of functionality.

ADG854

PIN CONFIGURATION AND FUNCTION DESCRIPTION

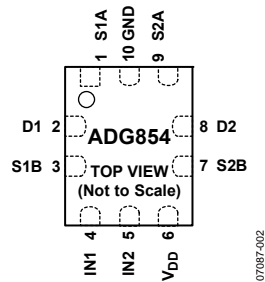


Figure 2. Pin Configuration

Table 4. Pin Function Descriptions

Pin No.	Mnemonic	Description
1, 3, 7, 9	S1A, S1B, S2B, S2A	Source Terminal. This pin can be an input or output.
2, 8	D1, D2	Drain Terminal. This pin can be an input or output.
4	IN1	Logic Control Input.
5	IN2	Logic Control Input.
6	V _{DD}	Most Positive Power Supply Potential.
10	GND	Ground (0 V) Reference.

Table 5. ADG854 Truth Table

Logic (IN1/IN2)	Switch A (S1A or S2A)	Switch B (S1B or S2B)
0	Off	On
1	On	Off

TYPICAL PERFORMANCE CHARACTERISTICS

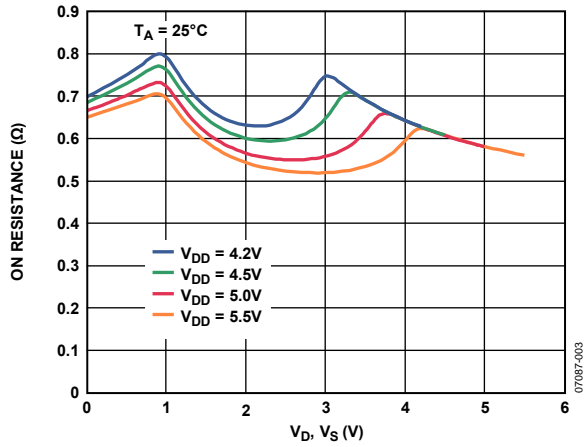


Figure 3. On Resistance vs. V_D (V_S), $V_{DD} = 4.2$ V to 5.5 V

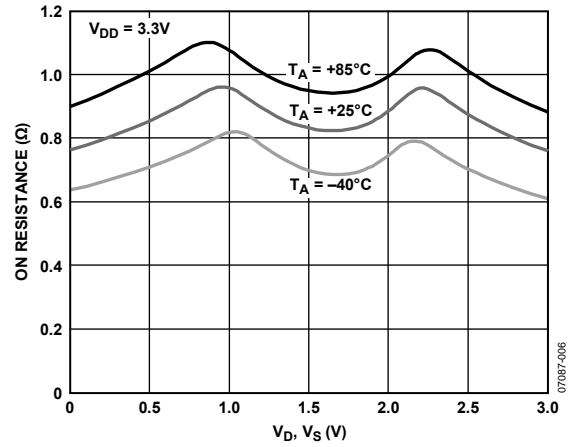


Figure 6. On Resistance vs. V_D (V_S) for Different Temperatures, $V_{DD} = 3.3$ V

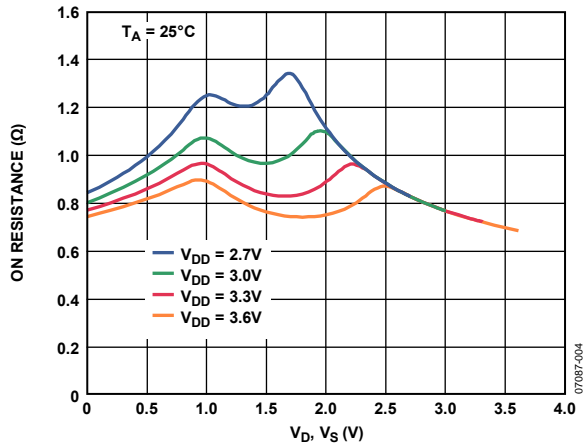


Figure 4. On Resistance vs. V_D (V_S), $V_{DD} = 2.7$ V to 3.6 V

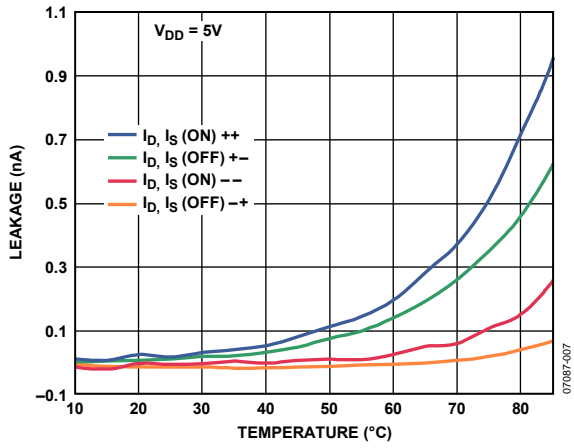


Figure 7. Leakage Current vs. Temperature, $V_{DD} = 5$ V

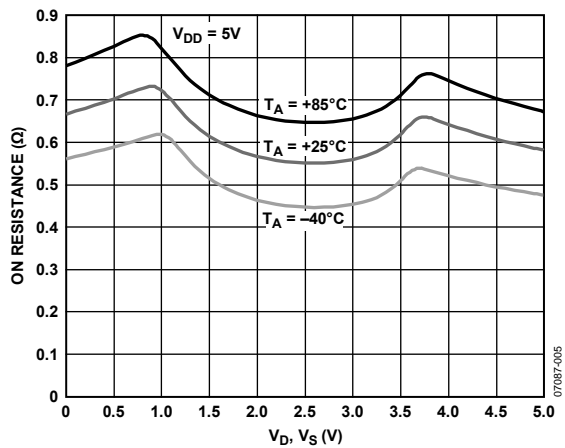


Figure 5. On Resistance vs. V_D (V_S) for Different Temperatures, $V_{DD} = 5$ V

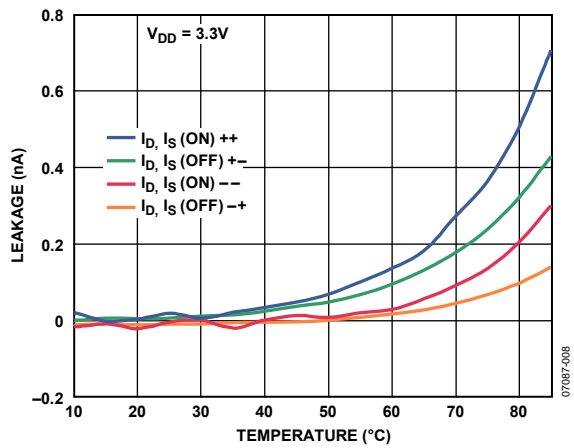


Figure 8. Leakage Current vs. Temperature, $V_{DD} = 3.3$ V

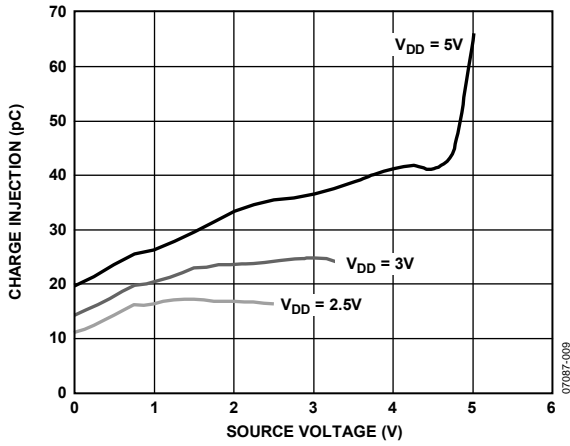


Figure 9. Charge Injection vs. Source Voltage

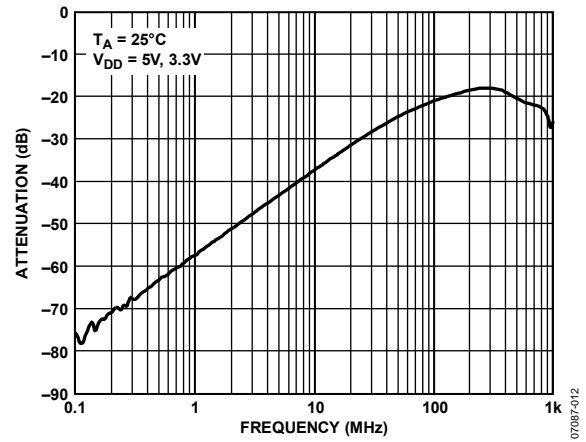


Figure 12. Off Isolation vs. Frequency

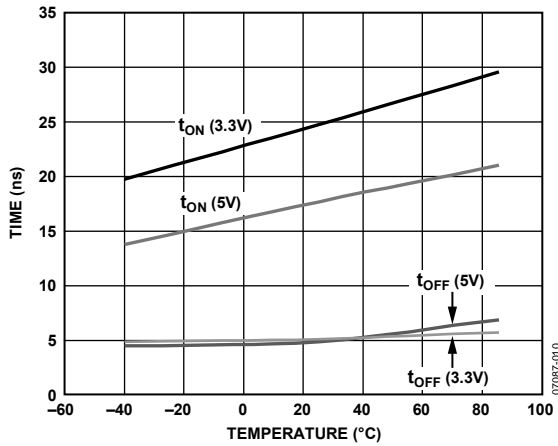


Figure 10. t_{ON}/t_{OFF} Times vs. Temperature

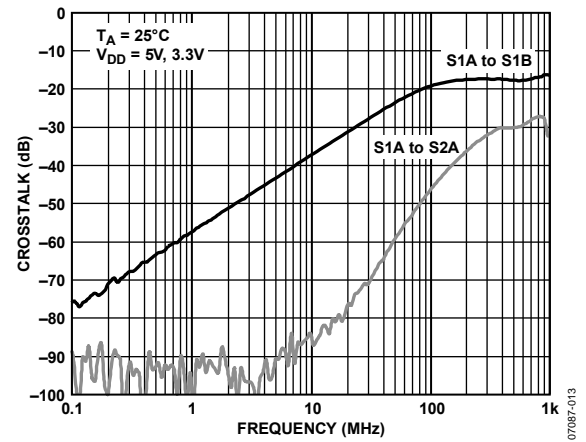


Figure 13. Crosstalk vs. Frequency

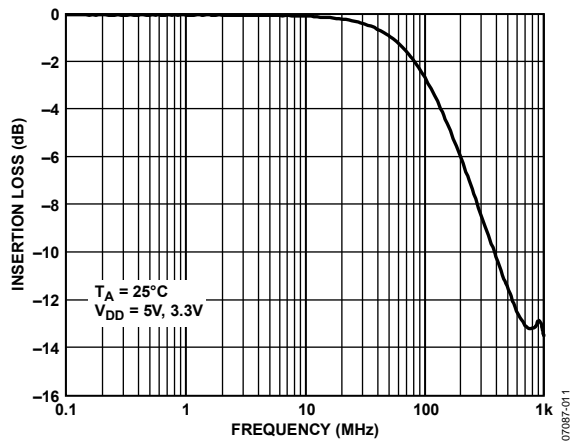


Figure 11. Bandwidth

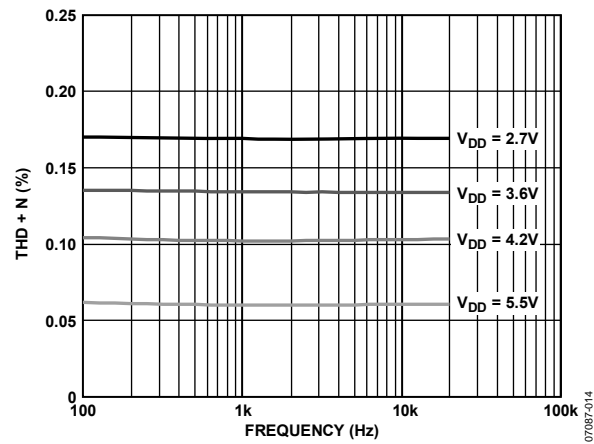


Figure 14. Total Harmonic Distortion + Noise (THD+N) vs. Frequency

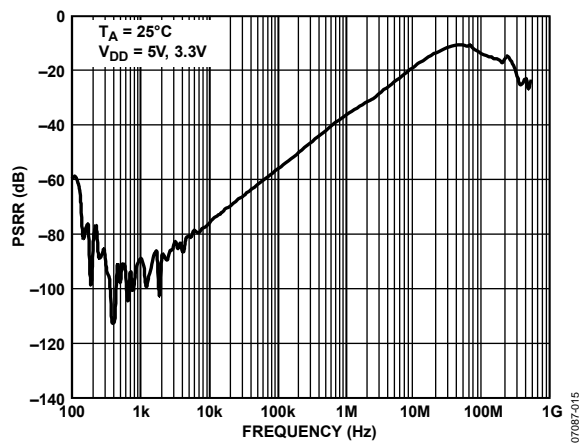


Figure 15. PSRR vs. Frequency

TEST CIRCUITS

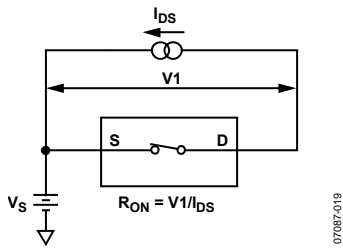


Figure 16. On Resistance

07087-019

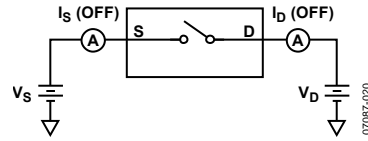


Figure 17. Off Leakage

07087-020

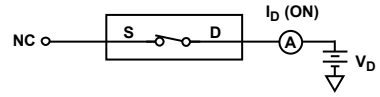


Figure 18. On Leakage

07087-021

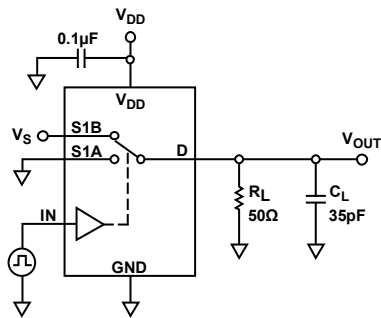
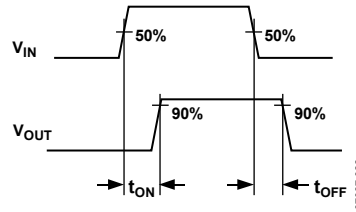


Figure 19. Switching Times, t_{ON} , t_{OFF}



07087-022

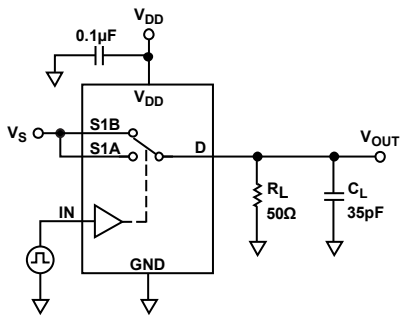


Figure 20. Break-Before-Make Time Delay, t_{BBM}

07087-023

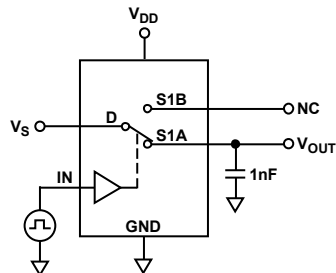
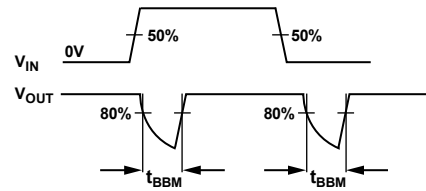
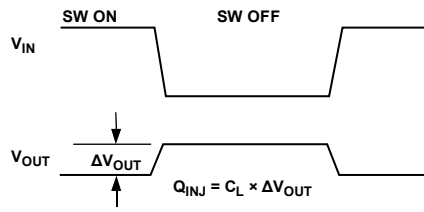


Figure 21. Charge Injection

07087-024



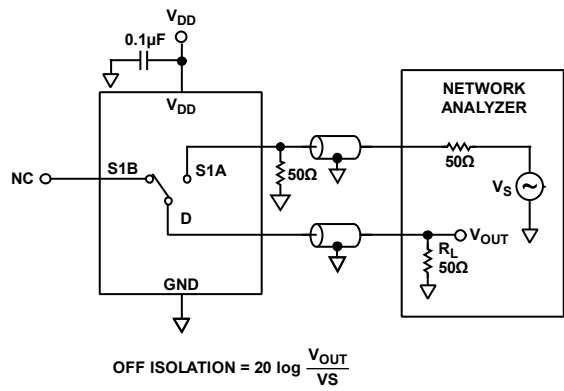


Figure 22. Off Isolation

07087-025

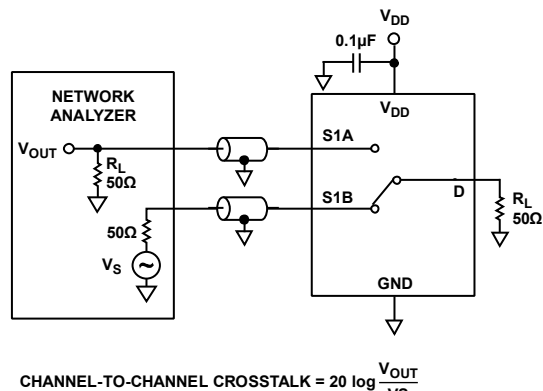


Figure 24. Channel-to-Channel Crosstalk (S1A to S1B/S2A to S2B)

07087-027

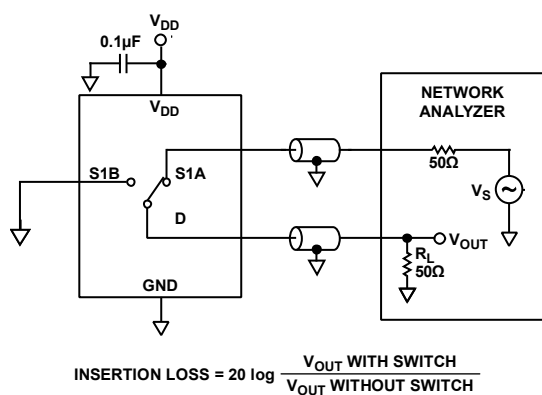


Figure 23. Bandwidth

07087-028

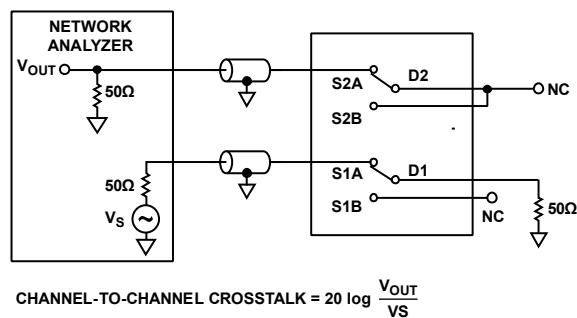


Figure 25. Channel-to-Channel Crosstalk (S1A to S2A, S1B to S2B)

07087-028

TERMINOLOGY

I_{DD}

Positive supply current.

V_D (V_S)

Analog voltage on Terminal D and Terminal S.

R_{ON}

Ohmic resistance between Terminal D and Terminal S.

R_{FLAT (ON)}

The difference between the maximum and minimum values of on resistance as measured on the switch.

ΔR_{ON}

On resistance match between any two channels.

I_S (Off)

Source leakage current with the switch off.

I_D (Off)

Drain leakage current with the switch off.

I_D, I_S (On)

Channel leakage current with the switch on.

V_{INL}

Maximum input voltage for Logic 0.

V_{INH}

Minimum input voltage for Logic 1.

I_{INL} (I_{INH})

Input current of the digital input.

C_S (Off)

Off switch source capacitance. Measured with reference to ground.

C_D (Off)

Off switch drain capacitance. Measured with reference to ground.

C_D, C_S (On)

On switch capacitance. Measured with reference to ground.

C_{IN}

Digital input capacitance.

t_{ON}

Delay time between the 50% and 90% points of the digital input and switch on condition.

t_{OFF}

Delay time between the 50% and 90% points of the digital input and switch off condition.

t_{BEM}

On or off time measured between the 80% points of both switches when switching from one to another.

Charge Injection

Measure of the glitch impulse transferred from the digital input to the analog output during on/off switching.

Off Isolation

Measure of unwanted signal coupling through an off switch.

Crosstalk

Measure of unwanted signal that is coupled from one channel to another because of parasitic capacitance.

-3 dB Bandwidth

Frequency at which the output is attenuated by 3 dB.

On Response

Frequency response of the on switch.

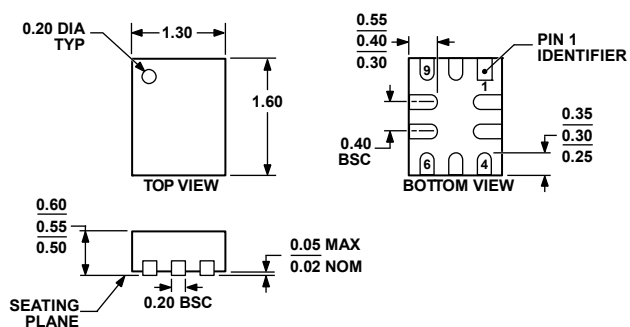
Insertion Loss

The loss due to the on resistance of the switch.

THD + N

Ratio of the harmonics amplitude plus noise of a signal to the fundamental.

OUTLINE DIMENSIONS



033007-A

Figure 26. 10-Lead Lead Frame Chip Scale Package [LFCSP_UQ]
 1.30 × 1.60 mm Body, Ultrathin Quad
 (CP-10-10)
 Dimensions shown in millimeters

ORDERING GUIDE

Model	Temperature Range	Package Description	Package Option	Branding
ADG854BCPZ-REEL ¹	-40°C to +85°C	10-Lead Lead Frame Chip Scale Package [LFCSP_UQ]	CP-10-10	C
ADG854BCPZ-REEL7 ¹	-40°C to +85°C	10-Lead Lead Frame Chip Scale Package [LFCSP_UQ]	CP-10-10	C

¹ Z = RoHS Compliant Part.

ADG854

NOTES

NOTES

ADG854

NOTES



Компания «ЭлектроПласт» предлагает заключение долгосрочных отношений при поставках импортных электронных компонентов на взаимовыгодных условиях!

Наши преимущества:

- Оперативные поставки широкого спектра электронных компонентов отечественного и импортного производства напрямую от производителей и с крупнейших мировых складов;
- Поставка более 17-ти миллионов наименований электронных компонентов;
- Поставка сложных, дефицитных, либо снятых с производства позиций;
- Оперативные сроки поставки под заказ (от 5 рабочих дней);
- Экспресс доставка в любую точку России;
- Техническая поддержка проекта, помощь в подборе аналогов, поставка прототипов;
- Система менеджмента качества сертифицирована по Международному стандарту ISO 9001;
- Лицензия ФСБ на осуществление работ с использованием сведений, составляющих государственную тайну;
- Поставка специализированных компонентов (Xilinx, Altera, Analog Devices, Intersil, Interpoint, Microsemi, Aeroflex, Peregrine, Syfer, Eurofarad, Texas Instrument, Miteq, Cobham, E2V, MA-COM, Hittite, Mini-Circuits, General Dynamics и др.);

Помимо этого, одним из направлений компании «ЭлектроПласт» является направление «Источники питания». Мы предлагаем Вам помощь Конструкторского отдела:

- Подбор оптимального решения, техническое обоснование при выборе компонента;
- Подбор аналогов;
- Консультации по применению компонента;
- Поставка образцов и прототипов;
- Техническая поддержка проекта;
- Защита от снятия компонента с производства.



Как с нами связаться

Телефон: 8 (812) 309 58 32 (многоканальный)

Факс: 8 (812) 320-02-42

Электронная почта: org@eplast1.ru

Адрес: 198099, г. Санкт-Петербург, ул. Калинина, дом 2, корпус 4, литера А.