

# General Specifications

Toggles

Rockers

Pushbuttons

Illuminated PB

Programmable

Keylocks

Rotaries

Slides

Tactiles

Tilt

Touch

Indicators

Accessories

Supplement

## B Electrical Capacity

<b>Resistive Load:</b>	10A @ 125V AC or 6A @ 250V AC
<b>Motor Load:</b>	400W @ 125V AC
<b>Lamp Load:</b>	2A @ 125V AC for On-Off-On circuit & 3A @ 125V AC for other circuits

## Other Ratings

<b>Contact Resistance:</b>	10 milliohms maximum
<b>Insulation Resistance:</b>	1,000 megohms minimum @ 500V DC
<b>Dielectric Strength:</b>	2,000V AC minimum between contacts for 1 minute minimum; 4,000V AC minimum between contacts & case for 1 minute minimum
<b>Mechanical Life:</b>	50,000 operations minimum
<b>Electrical Life:</b>	25,000 operations minimum
<b>Angle of Throw:</b>	25°

## Materials & Finishes

<b>Frame:</b>	Stainless steel
<b>Case/Base:</b>	Diallyl phthalate resin (UL94V-0)
<b>Movable Contacts:</b>	Silver alloy with silver plating
<b>Stationary Contacts:</b>	Pure silver with silver plating
<b>Terminals:</b>	Copper with silver plating

## Environmental Data

<b>Operating Temp Range:</b>	-10°C through +85°C (+14°F through +185°F)
<b>Humidity:</b>	90 ~ 95% humidity for 96 hours @ 40°C (104°F)
<b>Vibration:</b>	10 ~ 55Hz with peak-to-peak amplitude of 1.5mm traversing the frequency range & returning in 1 minute; 3 right angled directions for 2 hours
<b>Shock:</b>	50G (490m/s <sup>2</sup> ) acceleration (tested in 6 right angled directions, with 5 shocks in each direction)

## Installation

<b>Soldering Time &amp; Temp:</b>	Wave Soldering (Straight PC): See Profile A in Supplement section. Manual Soldering: See Profile A in Supplement section.
<b>Cleaning:</b>	These devices are not process sealed. Hand clean locally using alcohol based solution.

## Standards & Certifications

<b>Flammability Standards:</b>	UL94V-0 rated case/base
<b>UL:</b>	<b>File No. E44145 - Recognized only when ordered with marking on switch.</b> Add "/U" before dash in part number to order UL recognized switch. Add "/CUL" before dash in part number to order cULus recognized switch. All models recognized at 10A @ 125V AC & 6A @ 250V AC.
<b>CSA:</b>	<b>File No. 023535_0_000 - Certified only when ordered with marking on switch.</b> Add "/C" before dash in part number to order CSA certified switch. All models certified at 10A @ 125V AC & 6A @ 250V AC.
<b>VDE:</b>	License No. 119174 All models approved at 10A @ 125V AC & 6A @ 250V AC. Marking on switch is standard. All models meet EN 61058-1 standard.

# Distinctive Characteristics

Meets EN 61058-1 standard.

Contacts of special silver alloy resist arcing and guarantee stable electrical contact and long life.

Stainless steel frame resists corrosion and increases environmental safety.

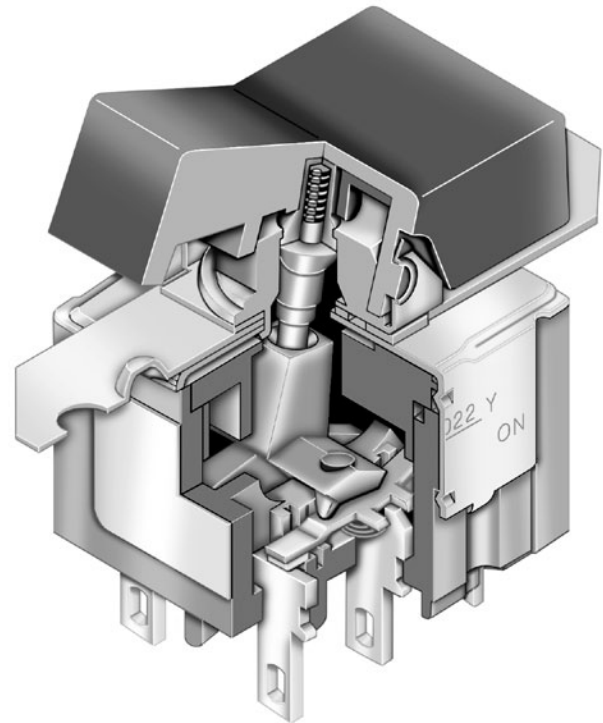
High insulating barriers increase isolation of circuits in double pole devices and provide added protection to contact points.

Case/base of heat resistant resin meets UL94V-0 flammability standard.

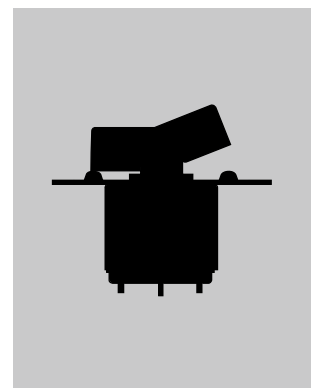
Prominent external insulating barriers increase insulation resistance and dielectric strength.

Clinching of the frame to the case well above the base and terminals provides 4,000V dielectric strength.

Epoxy sealed terminals prevent entry of flux, solvents, and other contaminants.

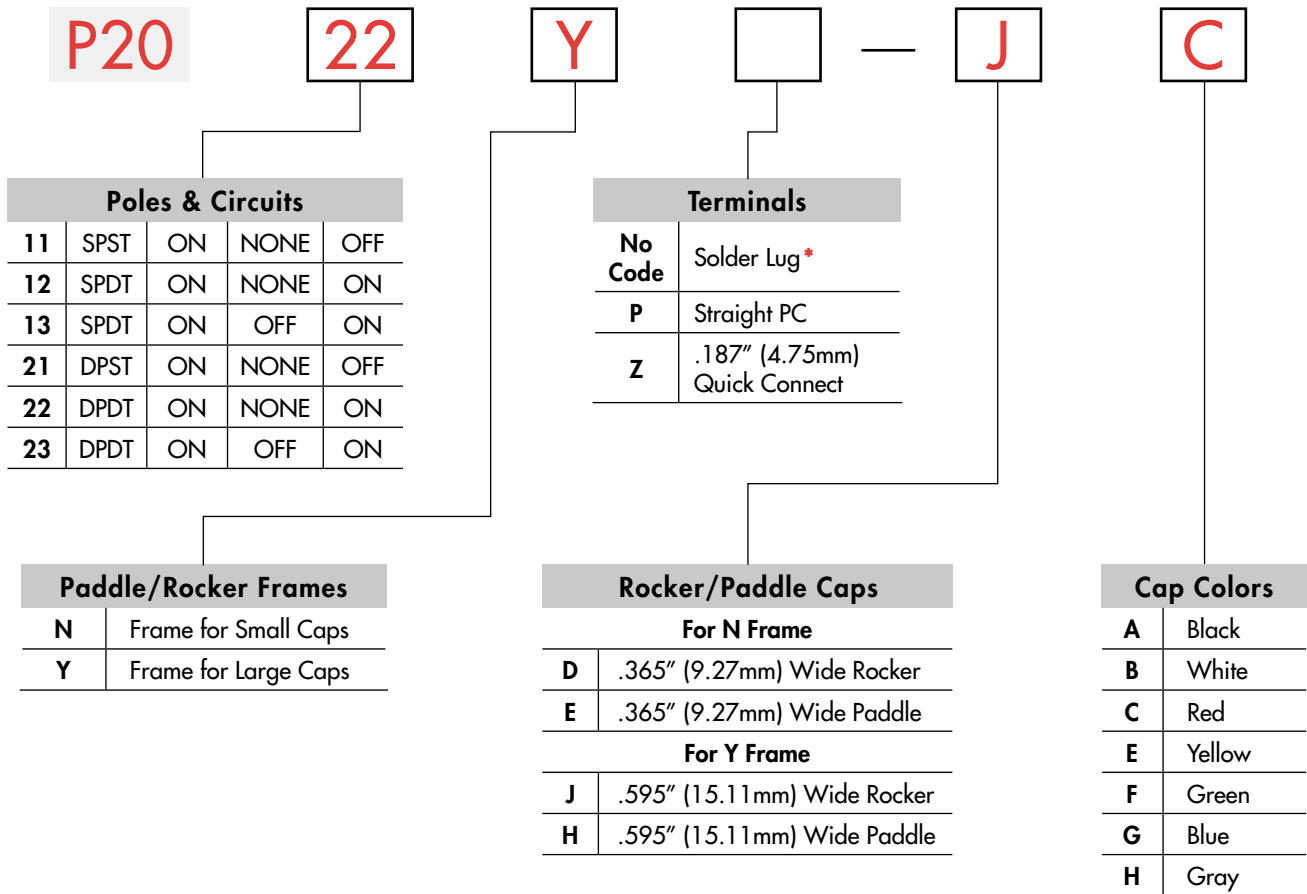


Actual Size



Supplement	Accessories	Indicators	Touch	Tilt	Tactiles	Slides	Rotaries	Keylocks	Programmable	Illuminated PB	Pushbuttons	Rockers	Toggle
------------	-------------	------------	-------	------	----------	--------	----------	----------	--------------	----------------	-------------	---------	--------

### TYPICAL SWITCH ORDERING EXAMPLE



#### IMPORTANT:

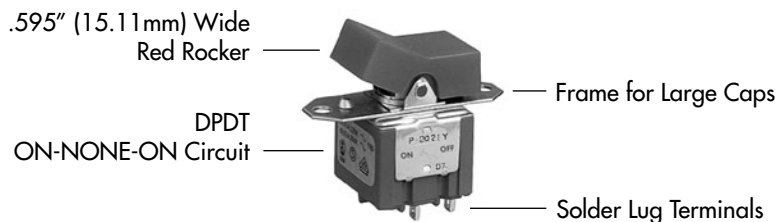


VDE is marked on all models. Switches are supplied without UL, cULus & CSA marking unless specified. **UL, cULus & CSA recognized only when ordered with marking on the switch.** Specific models, ratings, & ordering instructions are noted on General Specifications page.

\* Wire harness & cable assemblies offered only in Americas

#### DESCRIPTION FOR TYPICAL ORDERING EXAMPLE

#### P2022Y-JC



## POLES & CIRCUITS

Pole	Model	Rocker Position			Connected Terminals			Throw & Schematics
		Down	Center	Up	Down	Center	Up	
SP	P2011	ON	NONE	OFF	1-1b	OPEN	OPEN	SPST 
SP	P2012 P2013	ON ON	NONE OFF	ON ON	1-1b	OPEN	1-1a	SPDT 
DP	P2021	ON	NONE	OFF	1-1b 2-2b	OPEN	OPEN	DPST 
DP	P2022 P2023	ON ON	NONE OFF	ON ON	1-1b 2-2b	OPEN	1-1a 2-2a	DPDT 

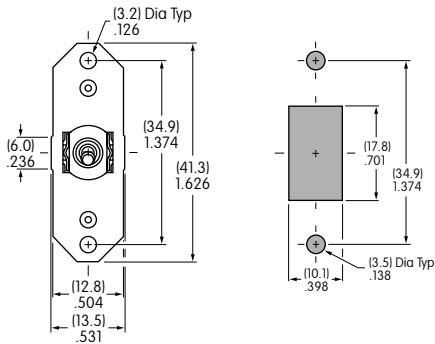
Note: Terminal numbers are on the switch.

## ROCKER/PADDLE FRAMES

**N** Frame for Small Actuator

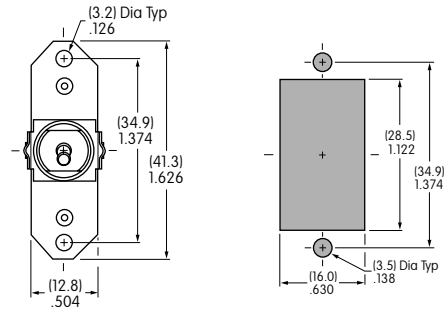
**Y** Frame for Large Actuator

Using AT4148 & AT4149



Maximum Panel Thickness: .126" (3.2mm)

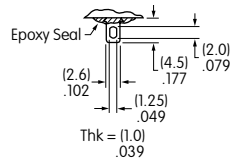
Using AT4156 & AT4157



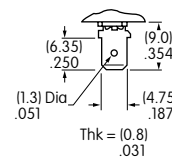
Maximum Panel Thickness: .126" (3.2mm)

## TERMINALS

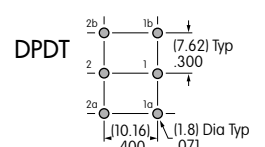
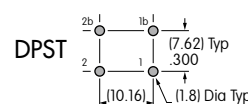
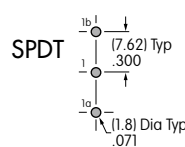
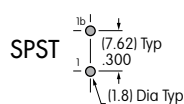
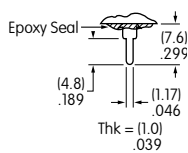
**No Code** Solder Lug



**Z** .187" (4.75mm) Quick Connect



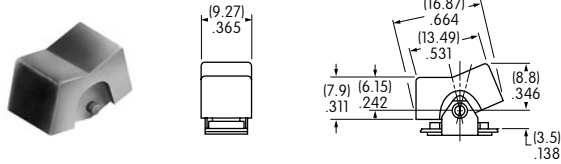
**P** Straight PC



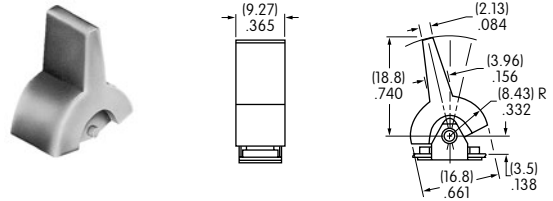
## ROCKER/PADDLE CAPS

For N Frame

**D** AT4148  
.365" (9.27mm) Wide Rocker

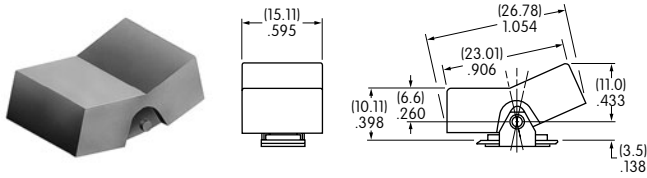


**E** AT4149  
.365" (9.27mm) Wide Paddle

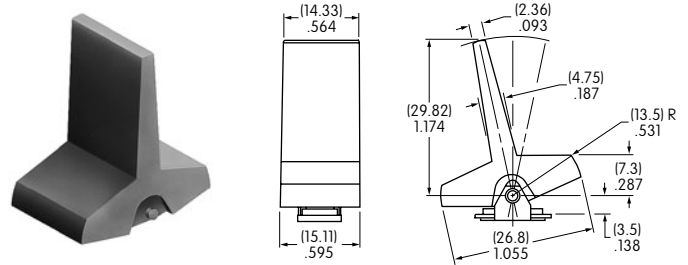


For Y Frame

**J** AT4156  
.595" (15.11mm) Wide Rocker



**H** AT4157  
.595" (15.11mm) Wide Paddle



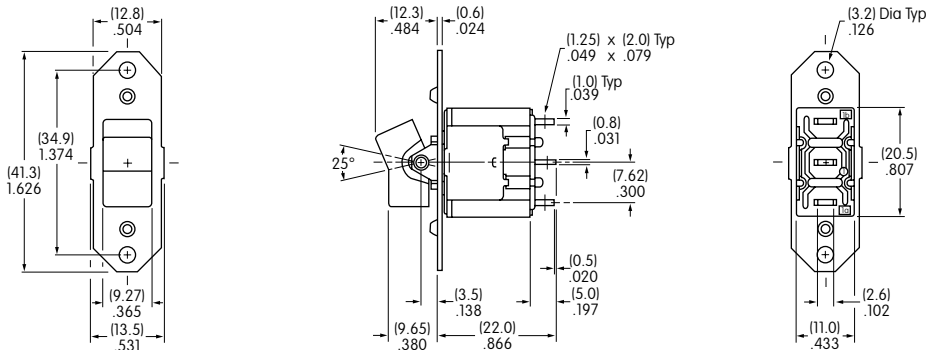
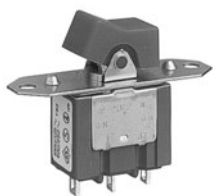
Cap Colors Available:

**A** Black **B** White **C** Red **E** Yellow **F** Green **G** Blue **H** Gray

Material: Polyamide Finish: Matte

## TYPICAL SWITCH DIMENSIONS

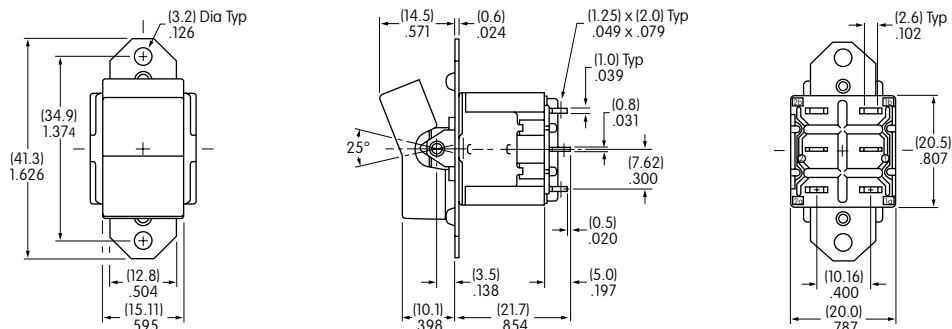
N Frame



P2012N-DC

P2011 & P2021 models do not have terminals 1a & 2a.

Y Frame



P2022Y-JC

P2011 & P2021 models do not have terminals 1a & 2a.



Компания «ЭлектроПласт» предлагает заключение долгосрочных отношений при поставках импортных электронных компонентов на взаимовыгодных условиях!

Наши преимущества:

- Оперативные поставки широкого спектра электронных компонентов отечественного и импортного производства напрямую от производителей и с крупнейших мировых складов;
- Поставка более 17-ти миллионов наименований электронных компонентов;
- Поставка сложных, дефицитных, либо снятых с производства позиций;
- Оперативные сроки поставки под заказ (от 5 рабочих дней);
- Экспресс доставка в любую точку России;
- Техническая поддержка проекта, помощь в подборе аналогов, поставка прототипов;
- Система менеджмента качества сертифицирована по Международному стандарту ISO 9001;
- Лицензия ФСБ на осуществление работ с использованием сведений, составляющих государственную тайну;
- Поставка специализированных компонентов (Xilinx, Altera, Analog Devices, Intersil, Interpoint, Microsemi, Aeroflex, Peregrine, Syfer, Eurofarad, Texas Instrument, Miteq, Cobham, E2V, MA-COM, Hittite, Mini-Circuits, General Dynamics и др.);

Помимо этого, одним из направлений компании «ЭлектроПласт» является направление «Источники питания». Мы предлагаем Вам помощь Конструкторского отдела:

- Подбор оптимального решения, техническое обоснование при выборе компонента;
- Подбор аналогов;
- Консультации по применению компонента;
- Поставка образцов и прототипов;
- Техническая поддержка проекта;
- Защита от снятия компонента с производства.



#### Как с нами связаться

**Телефон:** 8 (812) 309 58 32 (многоканальный)

**Факс:** 8 (812) 320-02-42

**Электронная почта:** [org@eplast1.ru](mailto:org@eplast1.ru)

**Адрес:** 198099, г. Санкт-Петербург, ул. Калинина, дом 2, корпус 4, литера А.