

# LM393, LM293, LM2903, LM2903V, NCV2903, NCV2903V



ON Semiconductor®

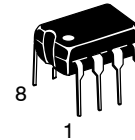
<http://onsemi.com>

## Low Offset Voltage Dual Comparators

The LM393 series are dual independent precision voltage comparators capable of single or split supply operation. These devices are designed to permit a common mode range-to-ground level with single supply operation. Input offset voltage specifications as low as 2.0 mV make this device an excellent selection for many applications in consumer, automotive, and industrial electronics.

### Features

- Wide Single-Supply Range: 2.0 Vdc to 36 Vdc
- Split-Supply Range:  $\pm 1.0$  Vdc to  $\pm 18$  Vdc
- Very Low Current Drain Independent of Supply Voltage: 0.4 mA
- Low Input Bias Current: 25 nA
- Low Input Offset Current: 5.0 nA
- Low Input Offset Voltage: 5.0 mV (max) LM293/393
- Input Common Mode Range to Ground Level
- Differential Input Voltage Range Equal to Power Supply Voltage
- Output Voltage Compatible with DTL, ECL, TTL, MOS, and CMOS Logic Levels
- ESD Clamps on the Inputs Increase the Ruggedness of the Device without Affecting Performance
- NCV Prefix for Automotive and Other Applications Requiring Site and Control Changes
- These Devices are Pb-Free, Halogen Free/BFR Free and are RoHS Compliant



PDIP-8  
N SUFFIX  
CASE 626

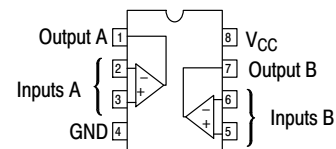


SOIC-8  
D SUFFIX  
CASE 751



Micro8™  
DM SUFFIX  
CASE 846A

### PIN CONNECTIONS



(Top View)

### DEVICE MARKING AND ORDERING INFORMATION

See detailed marking information and ordering and shipping information on pages 6 and 7 of this data sheet.

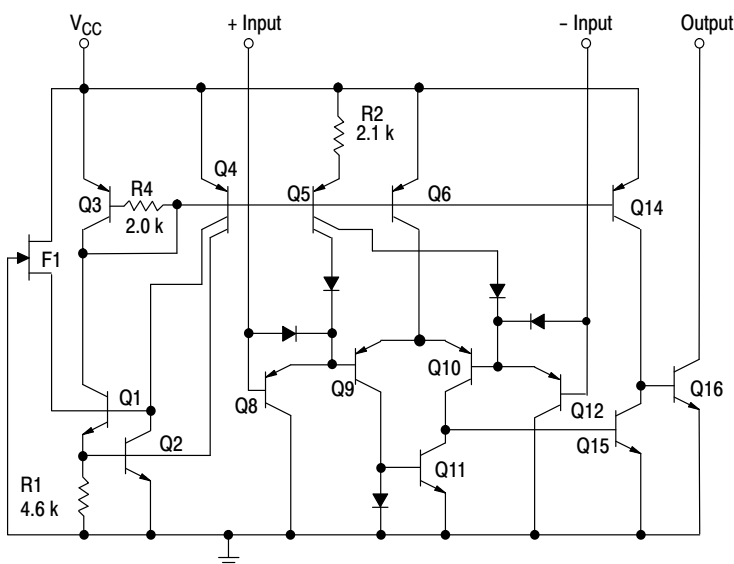


Figure 1. Representative Schematic Diagram  
(Diagram shown is for 1 comparator)

# LM393, LM293, LM2903, LM2903V, NCV2903, NCV2903V

## MAXIMUM RATINGS

Rating	Symbol	Value	Unit
Power Supply Voltage	$V_{CC}$	+36 or $\pm 18$	V
Input Differential Voltage	$V_{IDR}$	36	V
Input Common Mode Voltage Range (Note 1)	$V_{ICR}$	-0.3 to +36	V
Output Voltage	$V_O$	36	V
Output Short Circuit-to-Ground Output Sink Current (Note 2)	$I_{SC}$ $I_{Sink}$	Continuous 20	mA
Power Dissipation @ $T_A = 25^\circ\text{C}$ Derate above $25^\circ\text{C}$	$P_D$ $1/R_{\theta JA}$	570 5.7	mW mW/ $^\circ\text{C}$
Operating Ambient Temperature Range LM293 LM393 LM2903 LM2903V, NCV2903 (Note 3) NCV2903V (Note 3)	$T_A$	-25 to +85 0 to +70 -40 to +105 -40 to +125 -40 to +150	$^\circ\text{C}$
Maximum Operating Junction Temperature LM393, 2903, LM2903V LM293, NCV2903	$T_{J(max)}$	150 150	$^\circ\text{C}$
Storage Temperature Range	$T_{stg}$	-65 to +150	$^\circ\text{C}$
ESD Protection at any Pin (Note 4)  - Human Body Model - Machine Model	$V_{ESD}$	1500 150	V

Stresses exceeding Maximum Ratings may damage the device. Maximum Ratings are stress ratings only. Functional operation above the Recommended Operating Conditions is not implied. Extended exposure to stresses above the Recommended Operating Conditions may affect device reliability.

1. For supply voltages less than 36 V, the absolute maximum input voltage is equal to the supply voltage.
2. The maximum output current may be as high as 20 mA, independent of the magnitude of  $V_{CC}$ , output short circuits to  $V_{CC}$  can cause excessive heating and eventual destruction.
3. *NCV2903 and NCV2903V are qualified for automotive use.*
4.  $V_{ESD}$  rating for NCV/SC devices is: Human Body Model – 2000 V; Machine Model – 200 V.

# LM393, LM293, LM2903, LM2903V, NCV2903, NCV2903V

## ELECTRICAL CHARACTERISTICS ( $V_{CC} = 5.0$ Vdc, $T_{low} \leq T_A \leq T_{high}$ , unless otherwise noted.)

Characteristic	Symbol	LM293, LM393			LM2903, LM2903V, NCV2903, NCV2903V			Unit
		Min	Typ	Max	Min	Typ	Max	
Input Offset Voltage (Note 6) $T_A = 25^\circ\text{C}$ $T_{low} \leq T_A \leq T_{high}$	$V_{IO}$	-	$\pm 1.0$	$\pm 5.0$	-	$\pm 2.0$	$\pm 7.0$	mV
		-	-	$\pm 9.0$	-	$\pm 9.0$	$\pm 15$	
Input Offset Current $T_A = 25^\circ\text{C}$ $T_{low} \leq T_A \leq T_{high}$	$I_{IO}$	-	$\pm 5.0$	$\pm 50$	-	$\pm 5.0$	$\pm 50$	nA
		-	-	$\pm 150$	-	$\pm 50$	$\pm 200$	
Input Bias Current (Note 7) $T_A = 25^\circ\text{C}$ $T_{low} \leq T_A \leq T_{high}$	$I_{IB}$	-	25	250	-	25	250	nA
		-	-	400	-	200	500	
Input Common Mode Voltage Range (Note 7) $T_A = 25^\circ\text{C}$ $T_{low} \leq T_A \leq T_{high}$	$V_{ICR}$	0	-	$V_{CC} - 1.5$	0	-	$V_{CC} - 1.5$	V
		0	-	$V_{CC} - 2.0$	0	-	$V_{CC} - 2.0$	
Voltage Gain $R_L \geq 15$ k $\Omega$ , $V_{CC} = 15$ Vdc, $T_A = 25^\circ\text{C}$	$A_{VOL}$	50	200	-	25	200	-	V/mV
Large Signal Response Time $V_{in} =$ TTL Logic Swing, $V_{ref} = 1.4$ Vdc $V_{RL} = 5.0$ Vdc, $R_L = 5.1$ k $\Omega$ , $T_A = 25^\circ\text{C}$	-	-	300	-	-	300	-	ns
Response Time (Note 9) $V_{RL} = 5.0$ Vdc, $R_L = 5.1$ k $\Omega$ , $T_A = 25^\circ\text{C}$	$t_{TLH}$	-	1.3	-	-	1.5	-	$\mu\text{s}$
Input Differential Voltage (Note 10) All $V_{in} \geq$ GND or $V^-$ Supply (if used)	$V_{ID}$	-	-	$V_{CC}$	-	-	$V_{CC}$	V
Output Sink Current $V_{in} \geq 1.0$ Vdc, $V_{in+} = 0$ Vdc, $V_O \leq 1.5$ Vdc $T_A = 25^\circ\text{C}$	$I_{Sink}$	6.0	16	-	6.0	16	-	mA
Output Saturation Voltage $V_{in} \geq 1.0$ Vdc, $V_{in+} = 0$ , $I_{Sink} \leq 4.0$ mA, $T_A = 25^\circ\text{C}$ $T_{low} \leq T_A \leq T_{high}$	$V_{OL}$	-	150	400	-	-	400	mV
		-	-	700	-	200	700	
Output Leakage Current $V_{in-} = 0$ V, $V_{in+} \geq 1.0$ Vdc, $V_O = 5.0$ Vdc, $T_A = 25^\circ\text{C}$ $V_{in-} = 0$ V, $V_{in+} \geq 1.0$ Vdc, $V_O = 30$ Vdc, $T_{low} \leq T_A \leq T_{high}$	$I_{OL}$	-	0.1	-	-	0.1	-	nA
		-	-	1000	-	-	1000	
Supply Current $R_L = \infty$ Both Comparators, $T_A = 25^\circ\text{C}$ $R_L = \infty$ Both Comparators, $V_{CC} = 30$ V	$I_{CC}$	-	0.4	1.0	-	0.4	1.0	mA
		-	-	2.5	-	-	2.5	

LM293  $T_{low} = -25^\circ\text{C}$ ,  $T_{high} = +85^\circ\text{C}$

LM393  $T_{low} = 0^\circ\text{C}$ ,  $T_{high} = +70^\circ\text{C}$

LM2903  $T_{low} = -40^\circ\text{C}$ ,  $T_{high} = +105^\circ\text{C}$

LM2903V & NCV2903  $T_{low} = -40^\circ\text{C}$ ,  $T_{high} = +125^\circ\text{C}$

NCV2903V  $T_{low} = -40^\circ\text{C}$ ,  $T_{high} = +150^\circ\text{C}$

*NCV2903 and NCV2903V are qualified for automotive use.*

5. The maximum output current may be as high as 20 mA, independent of the magnitude of  $V_{CC}$ , output short circuits to  $V_{CC}$  can cause excessive heating and eventual destruction.
6. At output switch point,  $V_O = 1.4$  Vdc,  $R_S = 0$   $\Omega$  with  $V_{CC}$  from 5.0 Vdc to 30 Vdc, and over the full input common mode range (0 V to  $V_{CC} = -1.5$  V).
7. Due to the PNP transistor inputs, bias current will flow out of the inputs. This current is essentially constant, independent of the output state, therefore, no loading changes will exist on the input lines.
8. Input common mode of either input should not be permitted to go more than 0.3 V negative of ground or minus supply. The upper limit of common mode range is  $V_{CC} - 1.5$  V.
9. Response time is specified with a 100 mV step and 5.0 mV of overdrive. With larger magnitudes of overdrive faster response times are obtainable.
10. The comparator will exhibit proper output state if one of the inputs becomes greater than  $V_{CC}$ , the other input must remain within the common mode range. The low input state must not be less than  $-0.3$  V of ground or minus supply.

LM293/393

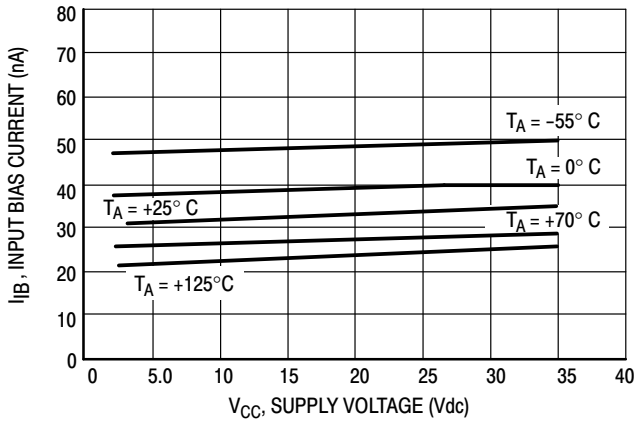


Figure 2. Input Bias Current versus Power Supply Voltage

LM2903

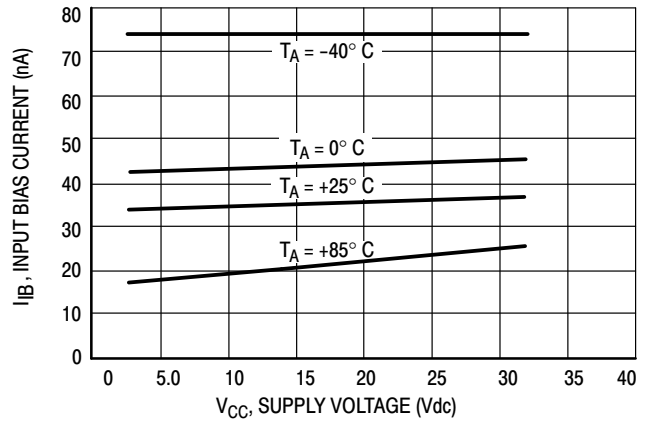


Figure 3. Input Bias Current versus Power Supply Voltage

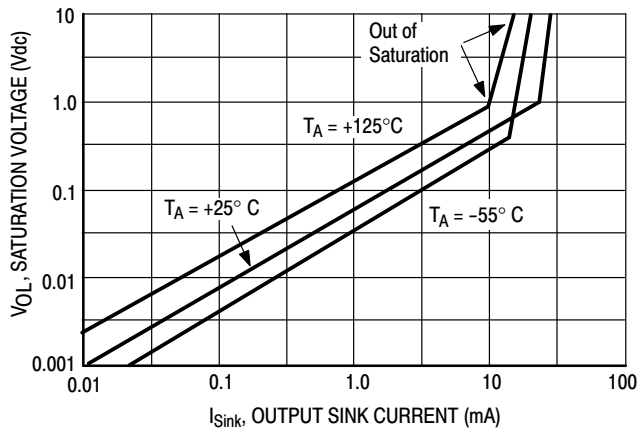


Figure 4. Output Saturation Voltage versus Output Sink Current

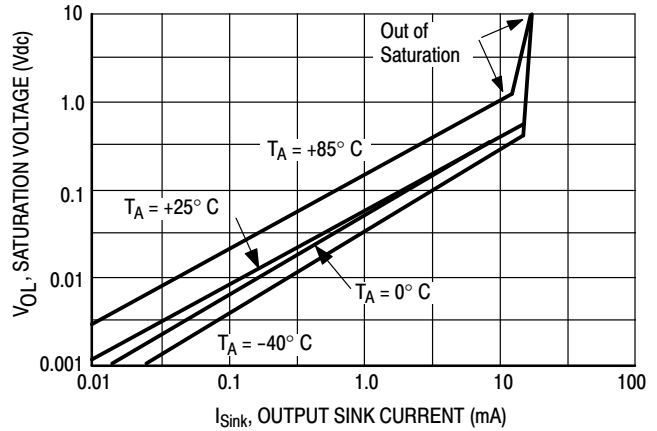


Figure 5. Output Saturation Voltage versus Output Sink Current

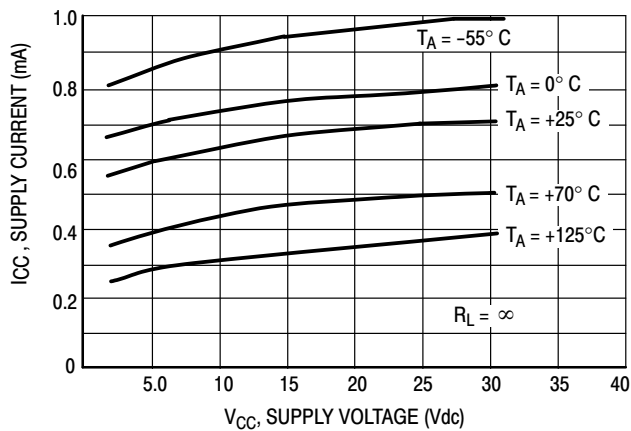


Figure 6. Power Supply Current versus Power Supply Voltage

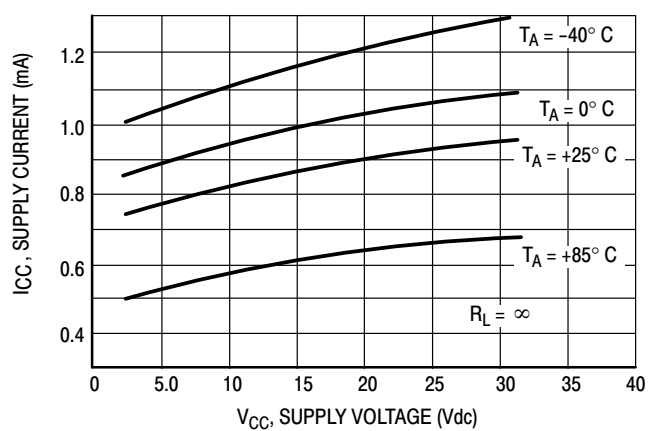
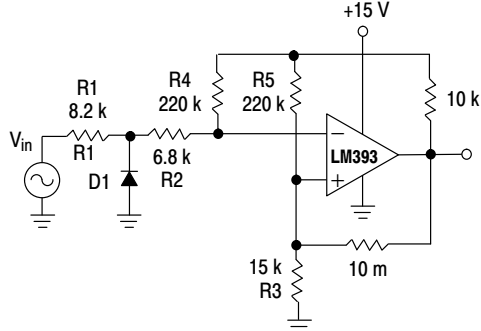


Figure 7. Power Supply Current versus Power Supply Voltage

APPLICATIONS INFORMATION

These dual comparators feature high gain, wide bandwidth characteristics. This gives the device oscillation tendencies if the outputs are capacitively coupled to the inputs via stray capacitance. This oscillation manifests itself during output transitions ( $V_{OL}$  to  $V_{OH}$ ). To alleviate this situation, input resistors  $< 10\text{ k}\Omega$  should be used.



D1 prevents input from going negative by more than 0.6 V.

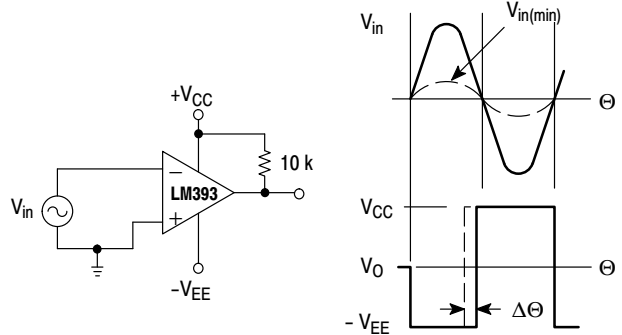
$$R1 + R2 = R3$$

$$R3 \leq \frac{R5}{10} \text{ for small error in zero crossing.}$$

Figure 8. Zero Crossing Detector (Single Supply)

The addition of positive feedback ( $< 10\text{ mV}$ ) is also recommended. It is good design practice to ground all unused pins.

Differential input voltages may be larger than supply voltage without damaging the comparator's inputs. Voltages more negative than  $-0.3\text{ V}$  should not be used.



$$V_{in(min)} \approx 0.4\text{ V peak for } 1\% \text{ phase distortion } (\Delta\Theta).$$

Figure 9. Zero Crossing Detector (Split Supply)

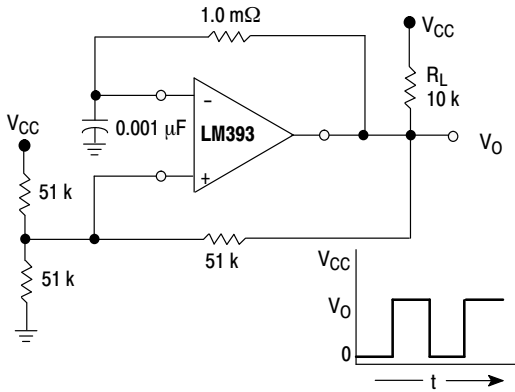
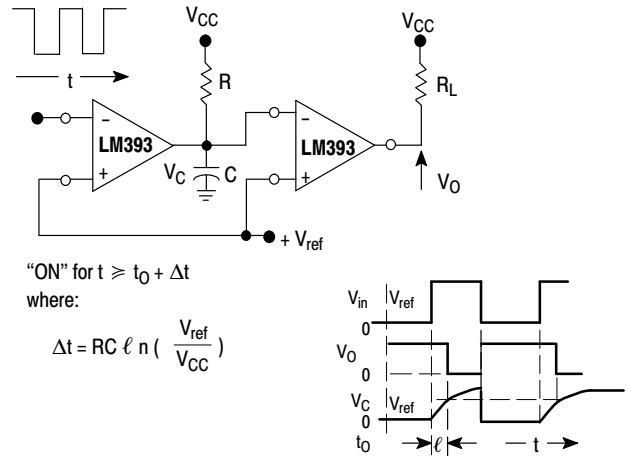


Figure 10. Free-Running Square-Wave Oscillator



"ON" for  $t \geq t_0 + \Delta t$   
where:

$$\Delta t = RC \ell n \left( \frac{V_{ref}}{V_{CC}} \right)$$

Figure 11. Time Delay Generator



$$R_S = R1 \parallel R2$$

$$V_{th1} = V_{ref} + \frac{(V_{CC} - V_{ref}) R1}{R1 + R2 + R_L}$$

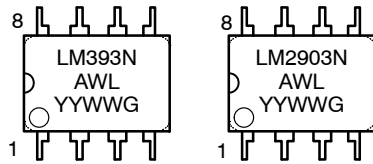
$$V_{th2} = V_{ref} - \frac{(V_{ref} - V_{O\text{ Low}}) R1}{R1 + R2}$$

Figure 12. Comparator with Hysteresis

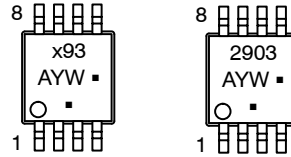
# LM393, LM293, LM2903, LM2903V, NCV2903, NCV2903V

## MARKING DIAGRAMS

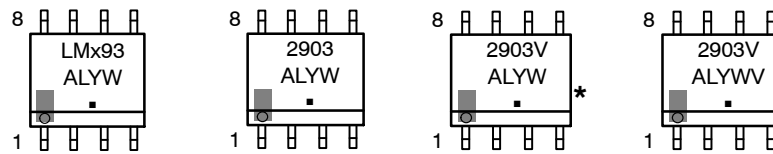
**PDIP-8  
CASE 626**



**Micro8  
CASE 846A**



**SOIC-8  
CASE 751**



- x = 2 or 3
- A = Assembly Location
- WL, L = Wafer Lot
- YY, Y = Year
- WW, W = Work Week
- , G = Pb-Free Package

(Note: Microdot may be in either location)

\*This marking diagram also applies to NCV2903DR2G

# LM393, LM293, LM2903, LM2903V, NCV2903, NCV2903V

## ORDERING INFORMATION

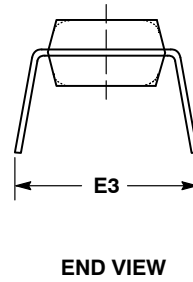
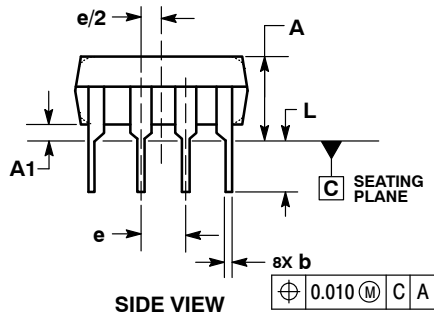
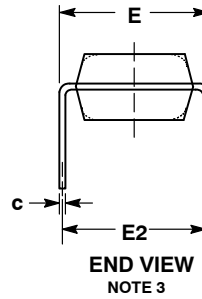
Device	Operating Temperature Range	Package	Shipping <sup>†</sup>
LM293DG	-25°C to +85°C	SOIC-8 (Pb-Free)	98 Units / Rail
LM293DR2G			2500 / Tape & Reel
LM293DMR2G		Micro8 (Pb-Free)	4000 / Tape and Reel
LM393DG	0°C to +70°C	SOIC-8 (Pb-Free)	98 Units / Rail
LM393DR2G			2500 / Tape & Reel
LM393NG		PDIP-8 (Pb-Free)	50 Units / Rail
LM393DMR2G		Micro8 (Pb-Free)	4000 / Tape and Reel
LM2903DG	-40°C to +105°C	SOIC-8 (Pb-Free)	98 Units / Rail
LM2903DR2G			2500 / Tape & Reel
LM2903DMR2G		Micro8 (Pb-Free)	4000 / Tape and Reel
LM2903NG		PDIP-8 (Pb-Free)	50 Units / Rail
LM2903VDG	-40°C to +125°C	SOIC-8 (Pb-Free)	98 Units / Rail
LM2903VDR2G			2500 / Tape & Reel
LM2903VNG		PDIP-8 (Pb-Free)	50 Units / Rail
NCV2903DR2G		SOIC-8 (Pb-Free)	2500 / Tape & Reel
NCV2903DMR2G		Micro8 (Pb-Free)	4000 / Tape & Reel
NCV2903VDR2G		SOIC-8 (Pb-Free)	2500 / Tape & Reel

<sup>†</sup>For information on tape and reel specifications, including part orientation and tape sizes, please refer to our Tape and Reel Packaging Specifications Brochure, BRD8011/D.

# LM393, LM293, LM2903, LM2903V, NCV2903, NCV2903V

## PACKAGE DIMENSIONS

PDIP-8  
N SUFFIX  
CASE 626-05  
ISSUE M



**NOTES:**

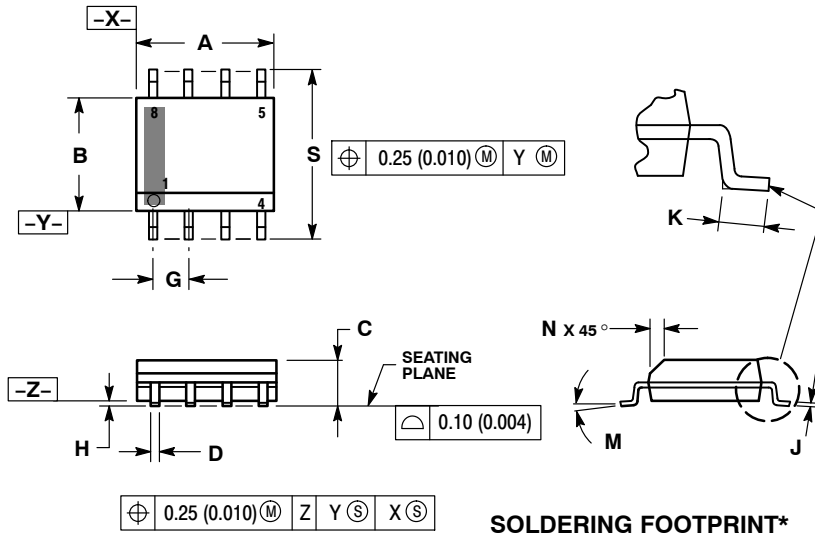
1. DIMENSIONING AND TOLERANCING PER ASME Y14.5M, 1994.
2. CONTROLLING DIMENSION: INCHES.
3. DIMENSION E IS MEASURED WITH THE LEADS RESTRAINED PARALLEL AT WIDTH E2.
4. DIMENSION E1 DOES NOT INCLUDE MOLD FLASH.
5. ROUNDED CORNERS OPTIONAL.

DIM	INCHES			MILLIMETERS		
	MIN	NOM	MAX	MIN	NOM	MAX
A	----	----	0.210	----	----	5.33
A1	0.015	----	----	0.38	----	----
b	0.014	0.018	0.022	0.35	0.46	0.56
C	0.008	0.010	0.014	0.20	0.25	0.36
D	0.355	0.365	0.400	9.02	9.27	10.02
D1	0.005	----	----	0.13	----	----
E	0.300	0.310	0.325	7.62	7.87	8.26
E1	0.240	0.250	0.280	6.10	6.35	7.11
E2	0.300 BSC			7.62 BSC		
E3	----	----	0.430	----	----	10.92
e	0.100 BSC			2.54 BSC		
L	0.115	0.130	0.150	2.92	3.30	3.81



PACKAGE DIMENSIONS

SOIC-8 NB  
CASE 751-07  
ISSUE AK

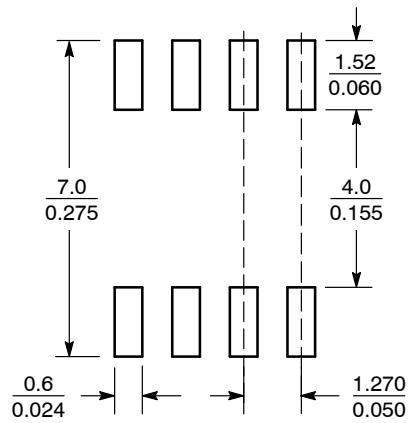


NOTES:

1. DIMENSIONING AND TOLERANCING PER ANSI Y14.5M, 1982.
2. CONTROLLING DIMENSION: MILLIMETER.
3. DIMENSION A AND B DO NOT INCLUDE MOLD PROTRUSION.
4. MAXIMUM MOLD PROTRUSION 0.15 (0.006) PER SIDE.
5. DIMENSION D DOES NOT INCLUDE DAMBAR PROTRUSION. ALLOWABLE DAMBAR PROTRUSION SHALL BE 0.127 (0.005) TOTAL IN EXCESS OF THE D DIMENSION AT MAXIMUM MATERIAL CONDITION.
6. 751-01 THRU 751-06 ARE OBSOLETE. NEW STANDARD IS 751-07.

DIM	MILLIMETERS		INCHES	
	MIN	MAX	MIN	MAX
A	4.80	5.00	0.189	0.197
B	3.80	4.00	0.150	0.157
C	1.35	1.75	0.053	0.069
D	0.33	0.51	0.013	0.020
G	1.27 BSC		0.050 BSC	
H	0.10	0.25	0.004	0.010
J	0.19	0.25	0.007	0.010
K	0.40	1.27	0.016	0.050
M	0°	8°	0°	8°
N	0.25	0.50	0.010	0.020
S	5.80	6.20	0.228	0.244

SOLDERING FOOTPRINT\*



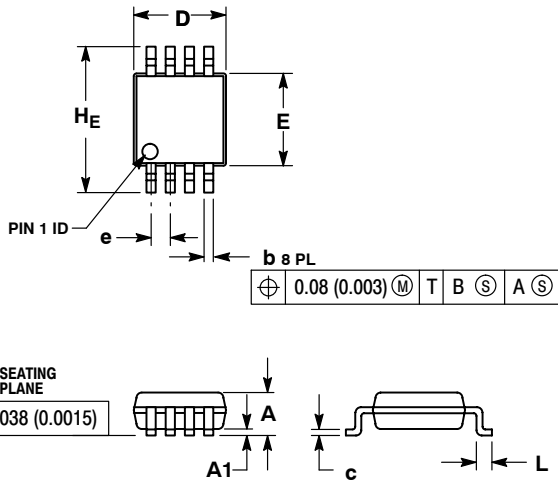
SCALE 6:1  $\left(\frac{\text{mm}}{\text{inches}}\right)$

\*For additional information on our Pb-Free strategy and soldering details, please download the ON Semiconductor Soldering and Mounting Techniques Reference Manual, SOLDERRM/D.

# LM393, LM293, LM2903, LM2903V, NCV2903, NCV2903V

## PACKAGE DIMENSIONS

Micro8™  
CASE 846A-02  
ISSUE H

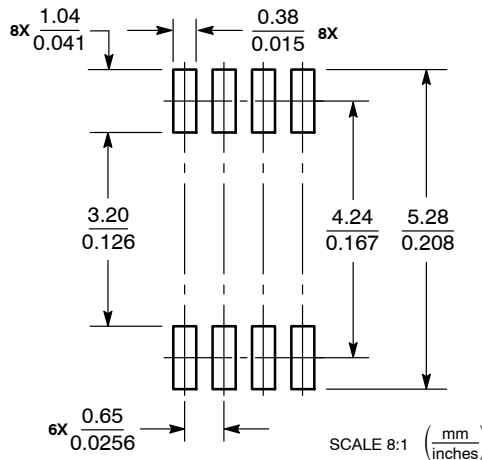


NOTES:

1. DIMENSIONING AND TOLERANCING PER ANSI Y14.5M, 1982.
2. CONTROLLING DIMENSION: MILLIMETER.
3. DIMENSION A DOES NOT INCLUDE MOLD FLASH, PROTRUSIONS OR GATE BURRS. MOLD FLASH, PROTRUSIONS OR GATE BURRS SHALL NOT EXCEED 0.15 (0.006) PER SIDE.
4. DIMENSION B DOES NOT INCLUDE INTERLEAD FLASH OR PROTRUSION. INTERLEAD FLASH OR PROTRUSION SHALL NOT EXCEED 0.25 (0.010) PER SIDE.
5. 846A-01 OBSOLETE, NEW STANDARD 846A-02.

DIM	MILLIMETERS			INCHES		
	MIN	NOM	MAX	MIN	NOM	MAX
A	--	--	1.10	--	--	0.043
A1	0.05	0.08	0.15	0.002	0.003	0.006
b	0.25	0.33	0.40	0.010	0.013	0.016
c	0.13	0.18	0.23	0.005	0.007	0.009
D	2.90	3.00	3.10	0.114	0.118	0.122
E	2.90	3.00	3.10	0.114	0.118	0.122
e	0.65 BSC			0.026 BSC		
L	0.40	0.55	0.70	0.016	0.021	0.028
HE	4.75	4.90	5.05	0.187	0.193	0.199

### SOLDERING FOOTPRINT\*



\*For additional information on our Pb-Free strategy and soldering details, please download the ON Semiconductor Soldering and Mounting Techniques Reference Manual, SOLDERRM/D.

Micro8 is a trademark of International Rectifier.

ON Semiconductor and are registered trademarks of Semiconductor Components Industries, LLC (SCILLC). SCILLC reserves the right to make changes without further notice to any products herein. SCILLC makes no warranty, representation or guarantee regarding the suitability of its products for any particular purpose, nor does SCILLC assume any liability arising out of the application or use of any product or circuit, and specifically disclaims any and all liability, including without limitation special, consequential or incidental damages. "Typical" parameters which may be provided in SCILLC data sheets and/or specifications can and do vary in different applications and actual performance may vary over time. All operating parameters, including "Typicals" must be validated for each customer application by customer's technical experts. SCILLC does not convey any license under its patent rights nor the rights of others. SCILLC products are not designed, intended, or authorized for use as components in systems intended for surgical implant into the body, or other applications intended to support or sustain life, or for any other application in which the failure of the SCILLC product could create a situation where personal injury or death may occur. Should Buyer purchase or use SCILLC products for any such unintended or unauthorized application, Buyer shall indemnify and hold SCILLC and its officers, employees, subsidiaries, affiliates, and distributors harmless against all claims, costs, damages, and expenses, and reasonable attorney fees arising out of, directly or indirectly, any claim of personal injury or death associated with such unintended or unauthorized use, even if such claim alleges that SCILLC was negligent regarding the design or manufacture of the part. SCILLC is an Equal Opportunity/Affirmative Action Employer. This literature is subject to all applicable copyright laws and is not for resale in any manner.

### PUBLICATION ORDERING INFORMATION

**LITERATURE FULFILLMENT:**  
Literature Distribution Center for ON Semiconductor  
P.O. Box 5163, Denver, Colorado 80217 USA  
Phone: 303-675-2175 or 800-344-3860 Toll Free USA/Canada  
Fax: 303-675-2176 or 800-344-3867 Toll Free USA/Canada  
Email: orderlit@onsemi.com

**N. American Technical Support:** 800-282-9855 Toll Free USA/Canada  
**Europe, Middle East and Africa Technical Support:**  
Phone: 421 33 790 2910  
**Japan Customer Focus Center**  
Phone: 81-3-5817-1050

**ON Semiconductor Website:** [www.onsemi.com](http://www.onsemi.com)  
**Order Literature:** <http://www.onsemi.com/orderlit>  
For additional information, please contact your local Sales Representative



Компания «ЭлектроПласт» предлагает заключение долгосрочных отношений при поставках импортных электронных компонентов на взаимовыгодных условиях!

Наши преимущества:

- Оперативные поставки широкого спектра электронных компонентов отечественного и импортного производства напрямую от производителей и с крупнейших мировых складов;
- Поставка более 17-ти миллионов наименований электронных компонентов;
- Поставка сложных, дефицитных, либо снятых с производства позиций;
- Оперативные сроки поставки под заказ (от 5 рабочих дней);
- Экспресс доставка в любую точку России;
- Техническая поддержка проекта, помощь в подборе аналогов, поставка прототипов;
- Система менеджмента качества сертифицирована по Международному стандарту ISO 9001;
- Лицензия ФСБ на осуществление работ с использованием сведений, составляющих государственную тайну;
- Поставка специализированных компонентов (Xilinx, Altera, Analog Devices, Intersil, Interpoint, Microsemi, Aeroflex, Peregrine, Syfer, Eurofarad, Texas Instrument, Miteq, Cobham, E2V, MA-COM, Hittite, Mini-Circuits, General Dynamics и др.);

Помимо этого, одним из направлений компании «ЭлектроПласт» является направление «Источники питания». Мы предлагаем Вам помощь Конструкторского отдела:

- Подбор оптимального решения, техническое обоснование при выборе компонента;
- Подбор аналогов;
- Консультации по применению компонента;
- Поставка образцов и прототипов;
- Техническая поддержка проекта;
- Защита от снятия компонента с производства.



#### Как с нами связаться

**Телефон:** 8 (812) 309 58 32 (многоканальный)

**Факс:** 8 (812) 320-02-42

**Электронная почта:** [org@eplast1.ru](mailto:org@eplast1.ru)

**Адрес:** 198099, г. Санкт-Петербург, ул. Калинина, дом 2, корпус 4, литера А.