

Inductor Built-in Step-up “micro DC/DC” Converter

☆GreenOperation Compatible

■ GENERAL DESCRIPTION

The XCL101 series is a synchronous step-up micro DC/DC converter which integrates an inductor and a control IC in one tiny package (2.5mm × 2.0mm, H=1.0mm). A stable step-up power supply is configured using only two capacitors connected externally. An internal coil simplifies the circuit and enables minimization of noise and other operational trouble due to the circuit wiring. The XCL101 series can be used in applications that start from a single alkaline or nickel-metal hydride battery because the input voltage range is 0.7V ~ 5.5V. The output voltage can be set from 1.8V to 5.0V (±2.0%) in steps of 0.1V. PFM control enables a low quiescent current, making these products ideal for portable devices that require high efficiency. The XCL101 features a load disconnect function to break continuity between the input and output at shutdown (XCL101A), and a bypass mode function to maintain continuity between the input and output (XCL101C).

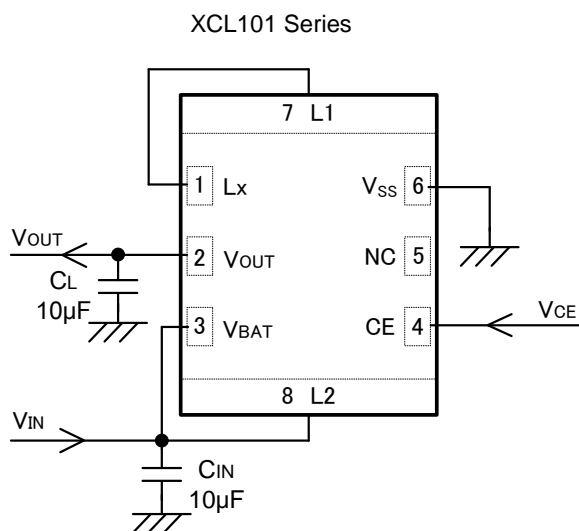
■ APPLICATIONS

- Wearable devices
- Mobile phones, Smart phones
- Mouses, Keyboards
- Remote controls
- Portable information devices
- Game consoles

■ FEATURES

Input Voltage Range	:	Operating hold voltage	0.7V~5.5V
		Start-up voltage	0.9V~5.5V
Output Voltage Range	:	1.8V ~ 5.0V (±2.0%)	0.1V increment
Output Current	:	100mA@ $V_{OUT}=3.3V$, $V_{BAT}=1.8V$	(TYP.)
Supply Current	:	6.3μA ($V_{BAT}=V_{OUT}+0.5V$)	
Control Method	:	PFM Control	
PFM Switching Current	:	350mA	
Functions	:	Load Disconnection Function or	
		Bypass Mode Function	
		Ceramic Capacitor Compatible	
Operating Ambient Temperature	:	-40°C ~ +85°C	
Package	:	CL-2025, CL-2025-02	
Environmentally Friendly	:	EU RoHS Compliant, Pb Free	

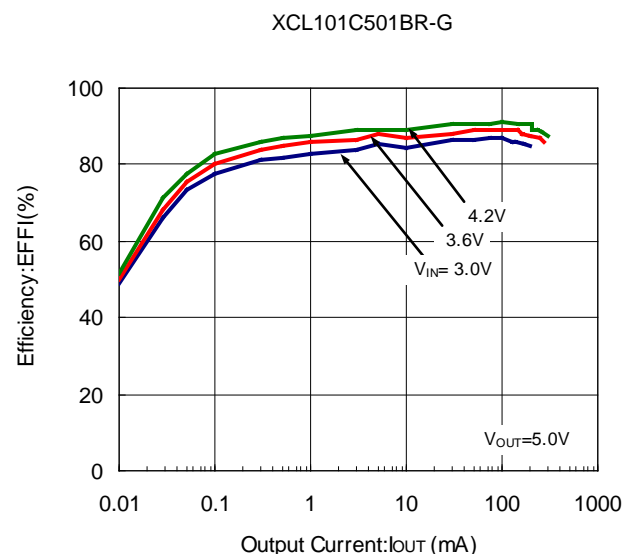
■ TYPICAL APPLICATION CIRCUIT



(TOP VIEW)

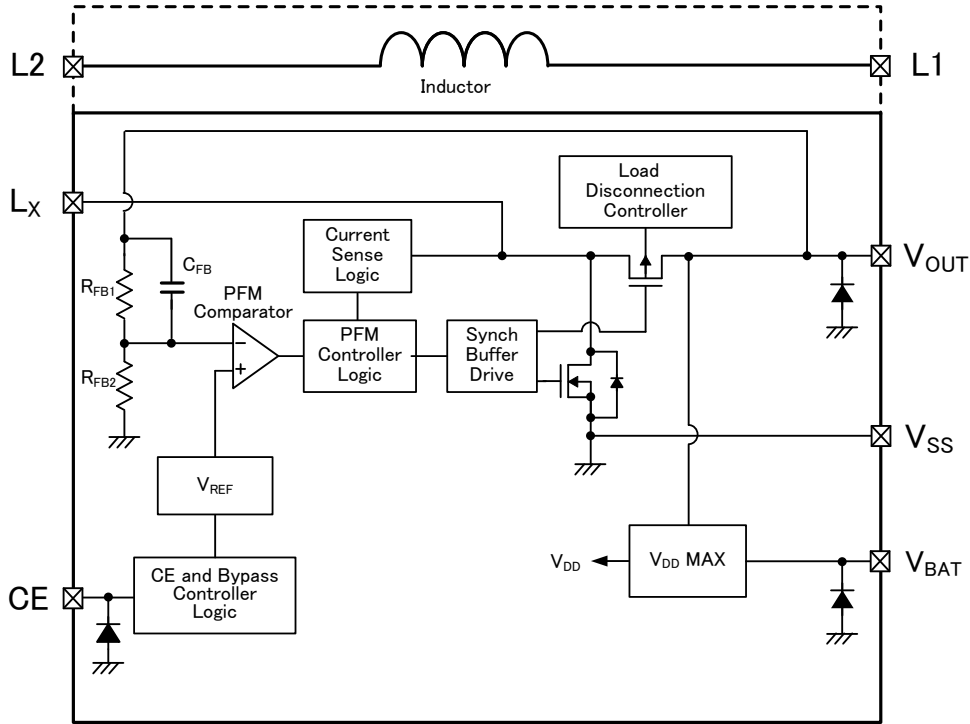
“L1 and Lx”, “L2 and VBAT” is connected by PCB pattern.

■ TYPICAL PERFORMANCE CHARACTERISTICS



■ BLOCK DIAGRAM

XCL101A / XCL101C



* Diodes inside the circuits are ESD protection diodes and parasitic diodes.

■ PRODUCTION CLASSIFICATION

● Ordering Information

XCL101①②③④⑤⑥-⑦^(*) PFM control

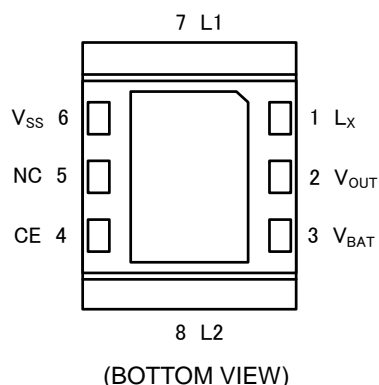
DESIGNATOR	ITEM	SYMBOL	DESCRIPTION
①	Product Type	A	Load Disconnection
		C	V _{BAT} Bypass
②③	Output Voltage	18~50	Output Voltage e.g. V _{OUT} =1.8V ⇒ ②=1、③=8
④	Oscillation Frequency	1	1.2MHz
⑤⑥-⑦	Package (Order Unit)	BR-G ⁽²⁾	CL-2025 (3,000pcs/Reel)
		ER-G ⁽³⁾	CL-2025-02 (3,000pcs/Reel)

^(*)The "-G" suffix denotes Halogen and Antimony free as well as being fully EU RoHS compliant.

⁽²⁾ BR-G is storage temperature range "-40 °C ~ + 105 °C".

⁽³⁾ ER-G is storage temperature range "-40 °C ~ + 125 °C".

■ PIN CONFIGURATION



* If the dissipation pad needs to be connected to other pins, it should be connected to the V_{SS} pin.

* Please refer to pattern layout page for the connecting to PCB.

■ PIN ASSIGNMENT

PIN NUMBER	PIN NAME	FUNCTIONS
1	L _X	Switching
2	V _{OUT}	Output Voltage
3	V _{BAT}	Power Input
4	CE	Chip Enable
5	NC	No Connection
6	V _{SS}	Ground
7	L1	Inductor Electrodes
8	L2	

■ CE PIN FUNCTION

PIN NAME	SIGNAL	STATUS
CE	H	Operation (All Series)
	L	XCL101A Series: Stand-by XCL101C Series: Bypass Mode

* Please do not leave the CE pin open.

■ ABSOLUTE MAXIMUM RATINGS

T_a=25°C

PARAMETER	SYMBOL	RATINGS	UNITS
V _{BAT} Pin Voltage	V _{BAT}	-0.3 ~ +7.0	V
L _X Pin Voltage	V _{LX}	-0.3 ~ V _{OUT} +0.3 or +7.0 ^(*)	V
V _{OUT} Pin Voltage	V _{OUT}	-0.3 ~ +7.0	V
CE Pin Voltage	V _{CE}	-0.3 ~ +7.0	V
L _X Pin Current	I _{LX}	700	mA
Power Dissipation	P _d	1000 (40mm x 40mm Standard board) ^(**)	mW
Operating Ambient Temperature	T _{opr}	- 40 ~ +85	°C
Storage Temperature ^(***)	CL-2025	T _{stg}	- 40 ~ +105
	CL-2025-02		- 40 ~ +125

All voltages are described based on the GND.

^(*) The maximum value should be either V_{OUT}+0.3V or +7.0V in the lowest.

^(**) The power dissipation figure shown is PCB mounted and is for reference only.

The mounting condition is please refer to PACKAGING INFORMATION.

^(***) Storage temperature, are divided by the product specification of the package.

ELECTRICAL CHARACTERISTICS

XCL101Axx1BR-G/XCL101Axx1ER-G

Ta=25 °C

PARAMETER	SYMBOL	CONDITIONS	MIN.	TYP.	MAX.	UNITS	CIRCUIT
Input Voltage	V _{BAT}	-	-	-	5.5	V	-
Output Voltage	V _{OUT(E)} ⁽²⁾	V _{PULL} =1.5V, Voltage to start oscillation while V _{OUT} is decreasing	<E1>			V	①
Operation Start Voltage	V _{ST1}	I _{OUT} =1mA	-	-	0.9	V	②
Operation Hold Voltage	V _{HLD}	R _L =1kΩ	-	0.7	-	V	②
Supply Current	I _q	Oscillation stops, V _{BAT} =V _{CE} =1.5V V _{OUT} =V _{OUT(T)} ⁽¹⁾ +0.5V	<E2>			μA	③
Input Pin Current	I _{BAT}	V _{OUT} =V _{OUT(T)} ⁽¹⁾ +0.5V	-	0.25	1.0	μA	③
Stand-by Current	I _{STB}	V _{BAT} =V _{LX} =V _{OUT(T)} ⁽¹⁾ , V _{OUT} =V _{CE} =0V	-	0.1	1.0	μA	④
L _X Leak Current	I _{LXL}	V _{BAT} =V _{LX} =V _{OUT(T)} ⁽¹⁾ , V _{OUT} =V _{CE} =0V	-	0.1	1.0	μA	⑤
PFM Switching Current	I _{PFM}	I _{OUT} =3mA	295	350	405	mA	②
Maximum On Time	t _{ONMAX}	V _{PULL} =1.5V, V _{OUT} =V _{OUT(T)} ⁽¹⁾ ×0.98V	3.1	4.6	6.0	μs	①
L _X SW "Pch" ON Resistance ⁽³⁾	R _{LXP}	V _{BAT} =V _{CE} =V _{LX} =V _{OUT(E)} ⁽²⁾ +0.5V, I _{OUT} =200mA	<E3>			Ω	⑦
L _X SW "Nch" ON Resistance ⁽⁴⁾	R _{LXN}	V _{BAT} =V _{OUT(E)} ⁽²⁾ =3.3V, V _{OUT} =1.7V	-	0.6	-	Ω	⑧
CE "High" Voltage	V _{CEH}	V _{BAT} =V _{PULL} =1.5V V _{OUT} =V _{OUT(T)} ⁽¹⁾ ×0.98V While V _{CE} =0.3→0.75V, Voltage to start oscillation	0.75	-	5.5	V	①
CE "Low" Voltage	V _{CEL}	V _{BAT} =V _{PULL} =1.5V V _{OUT} =V _{OUT(T)} ⁽¹⁾ ×0.98V While V _{CE} =0.75→0.3V, Voltage to stop oscillation	V _{SS}	-	0.3	V	①
CE "High" Current	I _{CEH}	V _{BAT} =V _{CE} =V _{LX} =V _{OUT} =5.5V	-0.1	-	0.1	μA	①
CE "Low" Current	I _{CEL}	V _{BAT} =V _{LX} =V _{OUT} =5.5V, V _{CE} =0V	-0.1	-	0.1	μA	①
Inductance Value	L	Test Frequency=1MHz	-	4.7	-	μH	-
(Inductor) Rated Current	I _{DC}	ΔT=+40°C	-	700	-	mA	-

Unless otherwise stated, V_{BAT}=V_{CE}=1.5V

⁽¹⁾ V_{OUT(T)} =Nominal Output Voltage

⁽²⁾ V_{OUT(E)} =Effective Output Voltage

The actual output voltage value V_{OUT(E)} is the PFM comparator threshold voltage in the IC. Therefore, the DC/DC circuit output voltage, including the peripheral components, is boosted by the ripple voltage average value. Please refer to the characteristic example.

⁽³⁾ L_X SW "Pch" ON resistance = (V_{LX}-V_{OUTpin} measurement voltage) / 200mA

⁽⁴⁾ L_X SW "Nch" ONresistance measurement method is shown in the measurement circuit diagram.

■ ELECTRICAL CHARACTERISTICS (Continued)

XCL101Cxx1BR-G/XCL101Cxx1ER-G

Ta=25 °C

PARAMETER	SYMBOL	CONDITIONS	MIN.	TYP.	MAX.	UNITS	CIRCUIT
Input Voltage	V _{BAT}	-	-	-	5.5	V	-
Output Voltage	V _{OUT(E)} ⁽²⁾	V _{PULL} =1.5V, Voltage to start oscillation while V _{OUT} is decreasing	<E1>			V	①
Operation Start Voltage	V _{ST1}	I _{OUT} =1mA	-	-	0.9	V	②
Operation Hold Voltage	V _{HLD}	R _L =1kΩ	-	0.7	-	V	②
Supply Current	I _q	Oscillation stops, V _{OUT} =V _{OUT(T)} +0.5V ⁽¹⁾	<E2>			μA	③
Input Pin Current	I _{BAT}	V _{BAT} =V _{CE} =1.5V, V _{OUT} =V _{OUT(E)} ⁽²⁾ +0.5V	-	0.25	1.0	μA	③
Bypass Mode Current	I _{BYP}	V _{BAT} =V _{LX} =5.5V, V _{CE} =0V	-	3.5	6.1	μA	⑥
PFM Switching Current	I _{PFM}	I _{OUT} =3mA	295	350	405	mA	②
Maximum On Time	ton _{MAX}	V _{PULL} =1.5V, V _{OUT} =V _{OUT(T)} ⁽¹⁾ ×0.98V	3.1	4.6	6.0	μs	①
L _X SW "Pch" ON Resistance ⁽³⁾	R _{LXP}	V _{BAT} =V _{LX} =V _{CE} =V _{OUT(E)} ⁽²⁾ +0.5V, I _{OUT} =200mA	<E3>			Ω	⑦
L _X SW "Nch" ON Resistance ⁽⁴⁾	R _{LXN}	V _{BAT} =V _{OUT(E)} ⁽²⁾ =3.3V, V _{OUT} =1.7V	-	0.6	-	Ω	⑧
CE "High" Voltage	V _{CEH}	V _{BAT} =V _{PULL} =1.5V V _{OUT} =V _{OUT(T)} ⁽¹⁾ ×0.98V While V _{CE} =0.3→0.75V, Voltage to start oscillation	0.75	-	5.5	V	①
CE "Low" Voltage	V _{CEL}	V _{BAT} =V _{PULL} =1.5V V _{OUT} =V _{OUT(T)} ⁽¹⁾ ×0.98V While V _{CE} =0.75→0.3V, Voltage to stop oscillation	V _{SS}	-	0.3	V	①
CE "High" Current	I _{CEH}	V _{BAT} =V _{CE} =V _{LX} =V _{OUT} =5.5V	-0.1	-	0.1	μA	①
CE "Low" Current	I _{CEL}	V _{BAT} =V _{LX} =V _{OUT} =5.5V, V _{CE} =0V	-0.1	-	0.1	μA	①
Inductance Value	L	Test Frequency=1MHz	-	4.7	-	μH	-
(Inductor) Rated Current	I _{DC}	ΔT=+40°C	-	700	-	mA	-

Unless otherwise stated, V_{BAT}=V_{CE}=1.5V

⁽¹⁾ V_{OUT(T)}=Nominal Output Voltage

⁽²⁾ V_{OUT(E)}=Effective Output Voltage

The actual output voltage value V_{OUT(E)} is the PFM comparator threshold voltage in the IC. Therefore, the DC/DC circuit output voltage, including the peripheral components, is boosted by the ripple voltage average value. Please refer to the characteristic example.

⁽³⁾ L_X SW "Pch" ON resistance = (V_{LX}-V_{OUTpin} measurement voltage) / 200mA

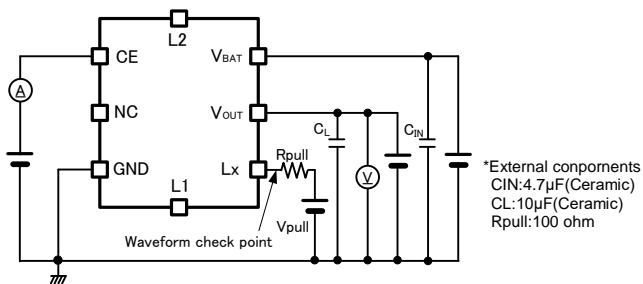
⁽⁴⁾ L_X SW "Nch" ONresistance measurement method is shown in the measurement circuit diagram.

ELECTRICAL CHARACTERISTICS (Continued)

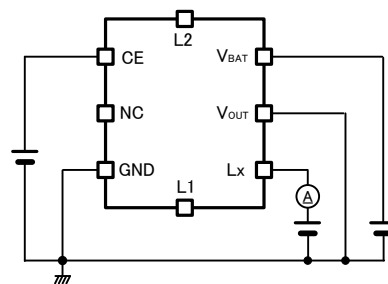
SYMBOL	E1		E2		E3	
PARAMETER	OUTPUT VOLTAGE		SUPPLY CURRENT		L _x SW "Pch" ON RESISTANCE	
UNITS:V	UNITS:V		UNITS:μA		UNITS:Ω	
OUTPUT VOLTAGE	MIN	MAX	TYP	MAX	TYP	MAX
1.8	1.764	1.836	6.1	9.4	0.84	1.08
1.9	1.862	1.938				
2.0	1.960	2.040				
2.1	2.058	2.142				
2.2	2.156	2.244				
2.3	2.254	2.346	6.2	9.7	0.75	0.97
2.4	2.352	2.448				
2.5	2.450	2.550				
2.6	2.548	2.652				
2.7	2.646	2.754				
2.8	2.744	2.856	6.3	10.0	0.65	0.85
2.9	2.842	2.958				
3.0	2.940	3.060				
3.1	3.038	3.162				
3.2	3.136	3.264				
3.3	3.234	3.366	6.4	10.2	0.61	0.78
3.4	3.332	3.468				
3.5	3.430	3.570				
3.6	3.528	3.672				
3.7	3.626	3.774				
3.8	3.724	3.876	6.5	10.4	0.57	0.74
3.9	3.822	3.978				
4.0	3.920	4.080				
4.1	4.018	4.182				
4.2	4.116	4.284				
4.3	4.214	4.386	6.7	10.7	0.53	0.72
4.4	4.312	4.488				
4.5	4.410	4.590				
4.6	4.508	4.692				
4.7	4.606	4.794				
4.8	4.704	4.896	6.7	10.7	0.53	0.72
4.9	4.802	4.998				
5.0	4.900	5.100				

TEST CIRCUITS

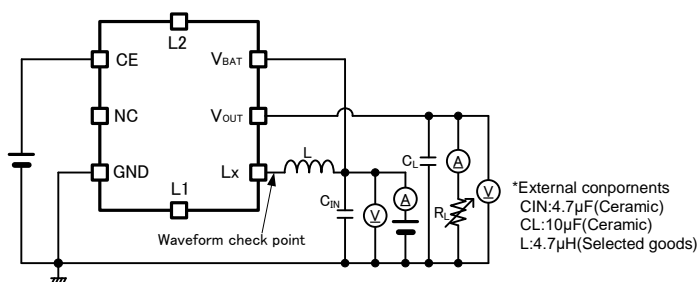
<Test Circuit No.①>



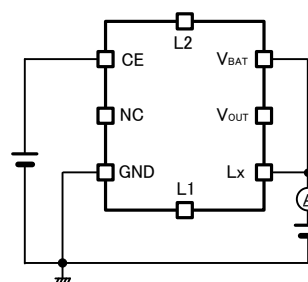
<Test Circuit No.⑤>



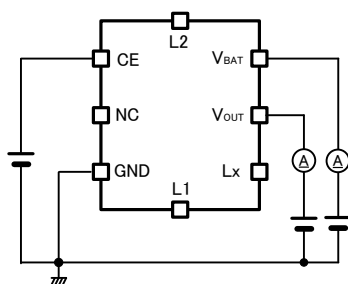
<Test Circuit No.②>



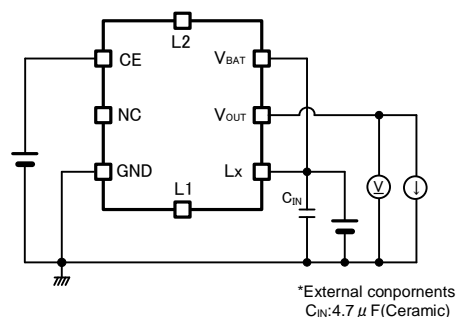
<Test Circuit No.⑥>



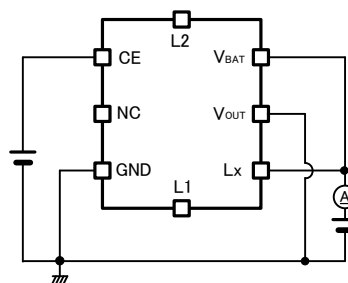
<Test Circuit No.③>



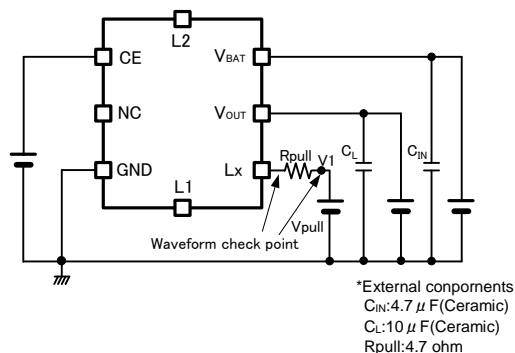
<Test Circuit No.⑦>



<Test Circuit No.④>



<Test Circuit No.⑧>



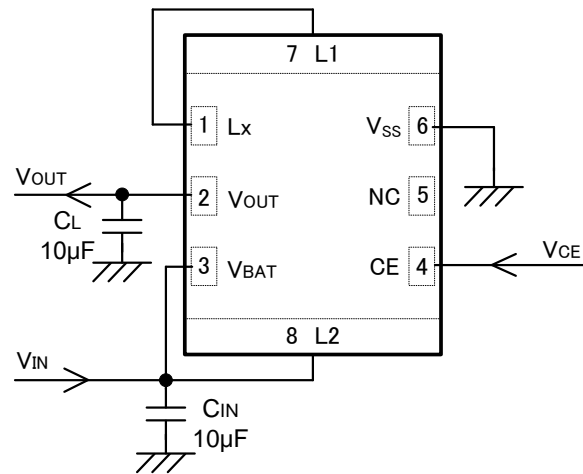
<L_x SW "Nch" ON Resistance Measurement Method>

Use Test Circuit No.8 to adjust V_{pull} so that the L_x pin voltage becomes 100mV when the Nch drive Tr is ON and then the voltage at both ends of R_{pull} is measured to find the L_x SW "Nch" ON resistance.

$$R_{LxN} = 0.1 / \{(V1 - 0.1) / 4.7\}$$

Note that V1 is the R_{pull} previous voltage when the Nch driver Tr is ON. Use an oscilloscope or other instrument to measure the L_x pin voltage and V1.

TYPICAL APPLICATION CIRCUIT



(TOP VIEW)

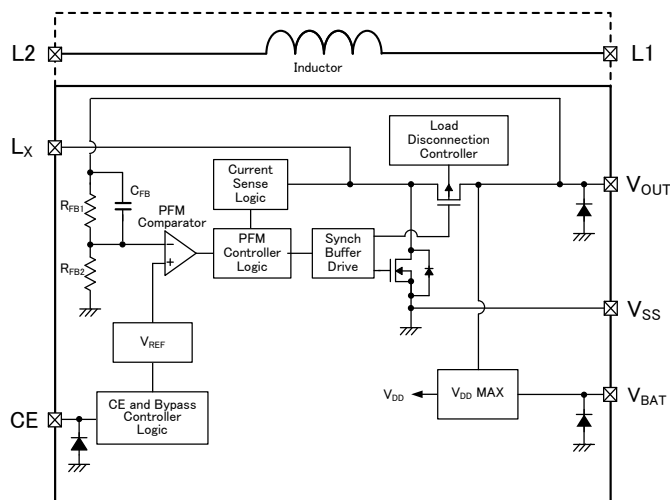
* The embedded coil is optimized for XCL101 series. Please do not use for other purposes.

【Recommended External Components】

	MANUFACTURE	PRODUCT NUMBER	VALUE	LxW (mm)
C _{IN} , C _L	TDK	C1608JB1A106K	10µF/10V	1.60 × 0.80
		C1608X5R1A106K	10µF/10V	1.60 × 0.80
		C2012JB1A106K	10µF/10V	2.00 × 1.25
		C2012X5R106K	10µF/10V	2.00 × 1.25
	TAIYO YUDEN	LMK107BBJ106MALT	10µF/10V	1.60 × 0.80
		LMK212ABJ106KG	10µF/10V	2.00 × 1.25
		LMK212BBJ226MG	22µF/10V	2.00 × 1.25
		JMK212BBJ476MG	47µF/6.3V	2.00 × 1.25

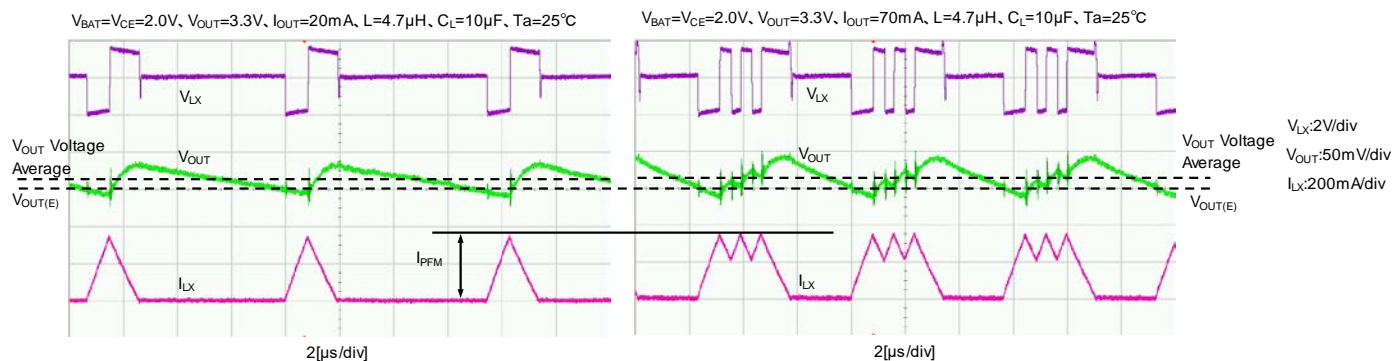
OPERATION EXPLANATION

The XCL101 Series consists of a standard voltage source, a PFM comparator, a Nch driver Tr, a Pch synchronous rectifier switch Tr, a current sense circuit, a PFM control circuit and a CE control circuit, etc. (refer to the block diagram below.)



Current limit PFM control is used for the control method to make it difficult for the output voltage ripple to increase even when the switching current is superimposed, so the product can be used within a wide voltage and current range. Further, because PFM control is used, it has excellent transient response to support low capacity ceramic capacitors to realize a compact, high-performance boost DC/DC converter. The synchronous driver and rectifier switch Tr efficiently sends the coil energy to the capacitor connected to the V_{OUT} pin to achieve highly efficient operation from low to high loads.

The electrical characteristics actual output voltage V_{OUT(E)} is the PFM comparator threshold voltage shown in the block diagram. Therefore, the booster circuit output voltage average value, including the peripheral components, depends on the ripple voltage, so this must be carefully evaluated before being used in the actual product.



< Reference Voltage Source (V_{REF}) >

The reference voltage source (V_{REF} voltage) provides the reference voltage to ensure stable output voltage of the DC/DC converter.

< PFM Control >

① The voltage from the output voltage divided by the division resistors R_{FB1} and R_{FB2} in the IC is used as feedback voltage (FB voltage), and the PFM comparator is compared with the FB voltage and V_{REF}. If the FB voltage is lower than V_{REF}, the signal is sent to the buffer driver via the PFM control circuit and the Nch driver Tr is turned ON. If the FB voltage is higher than V_{REF}, the PFM comparator sends a signal that does not turn ON the Nch driver Tr.

② The current sense circuit monitors the current flowing in the Nch driver Tr connected to the Lx pin when the Nch driver Tr is ON. When the prescribed PFM switching current (I_{PFM}) is reached, the signal is sent to the buffer driver via the PFM control circuit to turn OFF the Nch driver Tr and turn ON the Pch synchronous rectifier switch Tr.

③ The Pch synchronous rectifier switch Tr ON time (off time) is dynamically optimized internally. After the off time has passed, when the PFM comparator confirms the V_{OUT} voltage has exceeded the set voltage, a signal that does not allow the Nch driver Tr to be turned on is sent from the PFM comparator to the PFM control circuit, but if the V_{OUT} voltage remains lower than the set voltage, then Nch driver Tr ON is started.

The intervals of the above ①②③ linked operations are continuously adjusted in response to the load current to ensure the output voltage is kept stable from low to high loads and that it is done with good efficiency.

OPERATION EXPLANATION (Continued)

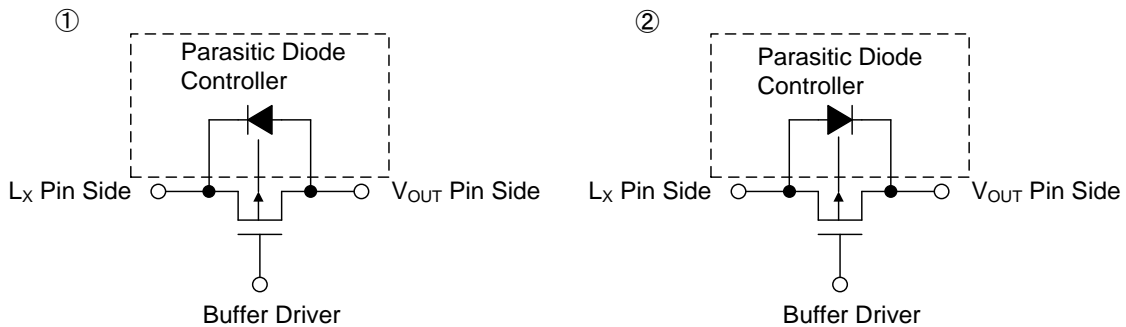
<PFM Switching Current>

The PFM switching current unit monitors the current flowing in the Nch driver Tr and functions to limit the current flowing in the Nch driver Tr, but if the load current becomes much larger than the PFM switching energy, the V_{OUT} voltage becomes lower and prevents the coil current in the Nch driver Tr OFF period from lowering, which affects the internal circuit delay time and results in an excessive current that is larger than the PFM switching current flowing in the Nch driver Tr and Pch synchronous rectifier switch Tr.

<Load Disconnection Function, Bypass Mode>

When "L" voltage is input to the CE pin, the XCL101A type enters into standby mode and the XCL101C type enters into bypass mode to stop the circuit required for the boost operation. In the standby mode the load cut-off function operates and both the Nch driver Tr and Pch synchronous rectifier switch Tr are turned OFF, which cuts off the current to the L_X pin and V_{OUT} pin and the parasitic diode control circuit connects the parasitic diode cathode of the Pch synchronous rectifier switch Tr to the L_X pin ①. In the bypass mode the Nch driver Tr is OFF, the Pch synchronous rectifier switch Tr is ON when $V_{LX} > V_{OUT}$, and the parasitic diode control circuit connects the parasitic diode cathode of the Pch synchronous rectifier switch Tr to the V_{OUT} pin ②. Also, when $V_{LX} < V_{OUT}$, the Pch synchronous rectifier switch Tr is turned OFF and the parasitic diode cathode is connected to the V_{OUT} pin ②.

Note: Except for the moment when the V_{BAT} voltage rises up under a start-up condition.



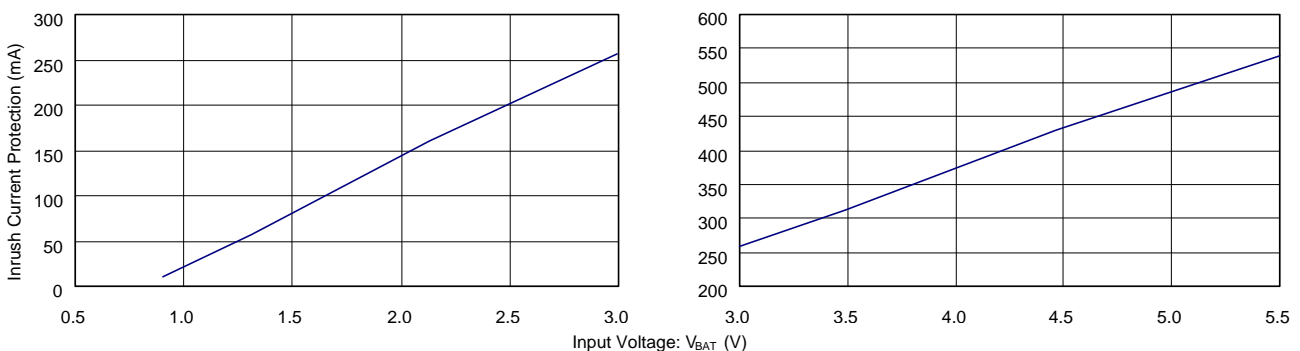
< V_{BAT} - V_{OUT} Voltage Detection Circuit >

The V_{BAT} - V_{OUT} voltage detection circuit compares the V_{BAT} pin voltage with the V_{OUT} pin voltage, and whichever is the highest is operated to become the IC power supply (V_{DD}). In addition, if, during normal operation, the input voltage becomes higher than the output voltage, the Nch driver Tr is turned OFF and the Pch synchronous rectifier switch Tr is kept ON so that the input voltage pass through to the output voltage (through mode). When the input voltage becomes lower than the output voltage, the circuit automatically returns to the normal boost operation. This detection circuit does not operate when in the standby mode.

<Inrush Current Protection Function>

When the V_{BAT} or V_{CE} power supply is input, CL is charged via the stable current that results from the inrush current protection function (refer to graphs below). Therefore, this function minimizes potential over current from the V_{BAT} pin to the V_{OUT} pin. Also, this current value depends on the V_{BAT} voltage. After CL is charged by the aforementioned stable current and V_{OUT} reaches around the V_{BAT} voltage level, the inrush current protection function will be released after several hundred μs ~ several ms and the IC will then move to step-up mode, by pass mode or through mode.

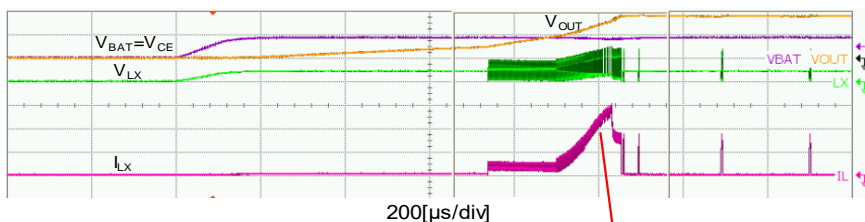
Inrush Current Protection Characteristics



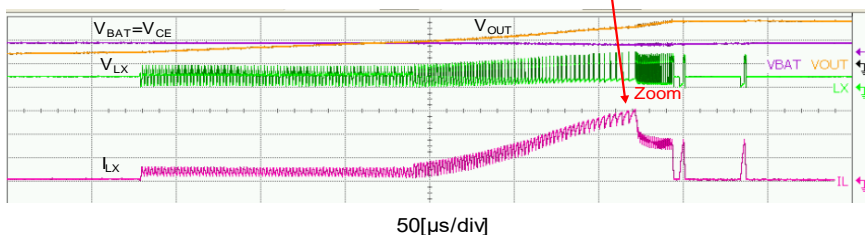
NOTE ON USE

1. Be careful not to exceed the absolute maximum ratings for externally connected components and this IC.
2. The DC/DC converter characteristics greatly depend not only on the characteristics of this IC but also on those of externally connected components, so refer to the specifications of each component and be careful when selecting the components. Be especially careful of the characteristics of the capacitor used for the load capacity C_L and use a capacitor with B characteristics (JIS Standard) or an X7R/X5R (EIA Standard) ceramic capacitor.
3. Use a ground wire of sufficient strength. Ground potential fluctuation caused by the ground current during switching could cause the IC operation to become unstable, so reinforce the area around the GND pin of the IC in particular.
4. Mount the externally connected components in the vicinity of the IC. Also use short, thick wires to reduce the wire impedance.
5. An excessive current that is larger than the PFM switching current flowing in the Nch driver T_r and Pch synchronous rectifier switch T_r , which could destroy the IC.
6. When in the bypass mode, the internal Pch synchronous rectifier switch T_r turns ON to allow current to flow to the Lx pin and V_{OUT} pin. When an excessive current comes from the V_{OUT} pin when this bypass operates, it could destroy the Pch synchronous rectifier switch T_r .
7. The CE pin does not have an internal pull-up or pull-down, etc. Apply the prescribed voltage to the CE pin.
8. The embedded coil is optimized for XCL101 series. Please do not use for other purposes.
9. At high temperatures, the product performance could vary causing the efficiency to decline. Evaluate this carefully before use if the product will be used at high temperatures.
10. Please note that the leak current of the Pch synchronous rectifier switch T_r during high-temperature standby operation could cause the output voltage to increase.
11. When the voltage difference between V_{IN} and V_{OUT} is small, switching energy increases and there is a possibility that the ripple voltage will be too large. And when the ripple voltage becomes big by influence of a load current, please add the C_L capacitor.
12. When the booster circuit is activated by a low input voltage, during the time until the output voltage reaches about 1.7V, the PFM switching current function might not operate causing the coil current to be superimposed. (See the figure below.)

$V_{BAT}=V_{CE}=0 \rightarrow 0.9V$, $V_{OUT}=1.8V$, $I_{OUT}=1mA$, $L=4.7\mu H$, $C_L=10\mu F$, $T_a=25^\circ C$

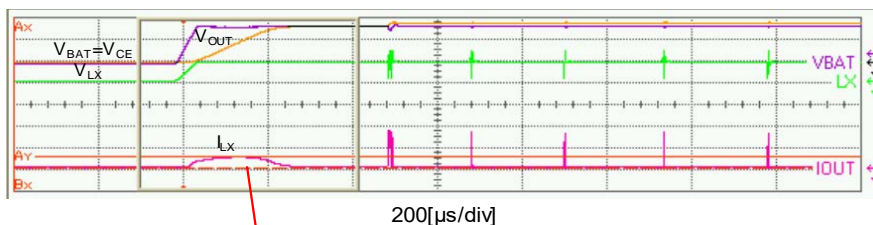


$V_{BAT}=V_{CE}$: 1.0V/div
 V_{OUT} : 1.0V/div
 V_{LX} : 2.0V/div
 I_{LX} : 200mA/div

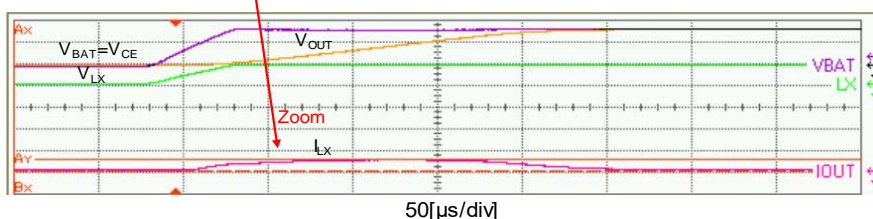


$V_{BAT}=V_{CE}$: 1.0V/div
 V_{OUT} : 1.0V/div
 V_{LX} : 2.0V/div
 I_{LX} : 200mA/div

$V_{BAT}=V_{CE}=0 \rightarrow 1.7V$, $V_{OUT}=1.8V$, $I_{OUT}=1mA$, $L=4.7\mu H$, $C_L=10\mu F$, $T_a=25^\circ C$



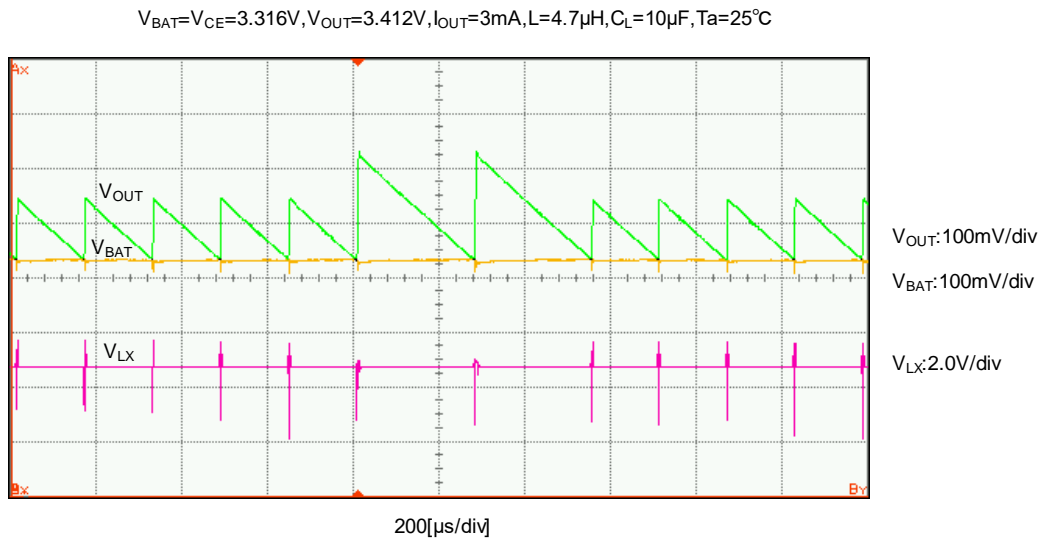
$V_{BAT}=V_{CE}$: 1.0V/div
 V_{OUT} : 1.0V/div
 V_{LX} : 2.0V/div
 I_{LX} : 200mA/div



$V_{BAT}=V_{CE}$: 1.0V/div
 V_{OUT} : 1.0V/div
 V_{LX} : 2.0V/div
 I_{LX} : 200mA/div

NOTE ON USE (Continued)

- If the C_L capacity or load current becomes excessively large, the output voltage start-up time, when the power is turned on, will increase, so the coil current might be superimposed during the time it takes for the output voltage to become sufficiently higher than the V_{BAT} voltage.
- If the input voltage is higher than the output voltage, then the circuit automatically enters the through mode. When the input voltage becomes close to the output voltage, there could be repeated switching between the boost mode and through mode causing the ripple voltage to fluctuate. (Refer to the graphic below)

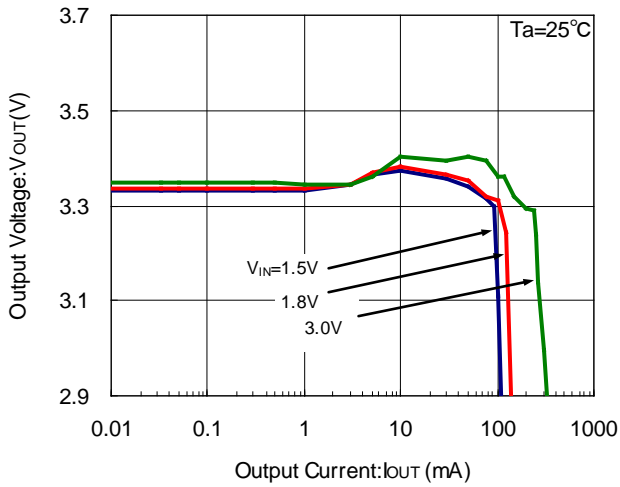


- If a different power supply is connected from an external source to the XCL101A/XCL101C, the IC could be destroyed.
- For temporary, transitional voltage drop or voltage rising phenomenon, the IC is liable to malfunction should the ratings be exceeded.
- Torex places an importance on improving our products and their reliability. We request that users incorporate fail-safe designs and post-aging protection treatment when using Torex products in their systems.
- With the XCL101A, when the V_{BAT} or V_{CE} power supply is input, if the V_{OUT} pin voltage does not exceed $V_{BAT} - 0.35V$, which can happen due to the load current being more than the inrush protection current, step-up mode or through mode operations won't function correctly.
- With the XCL101C, when the V_{BAT} power supply is input, if the V_{OUT} pin voltage does not exceed $V_{BAT} - 0.35V$, which can happen due to the load current being more than the inrush protection current, by pass mode operations won't function correctly.
- The proper position of mounting is based on the coil terminal

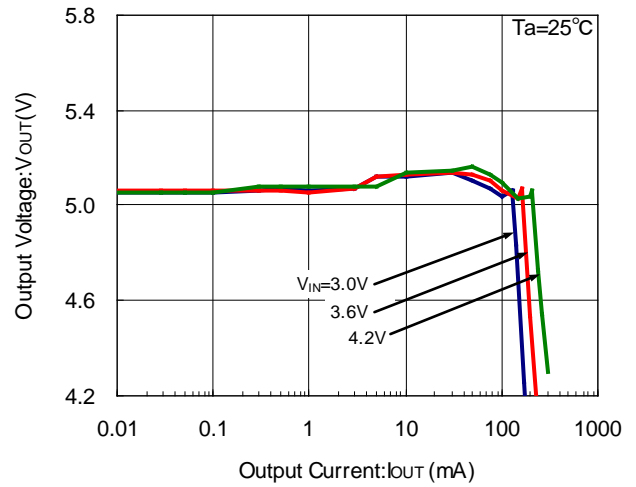
TYPICAL PERFORMANCE CHARACTERISTICS

1) Output Voltage vs. Output Current

XCL101C331BR-G

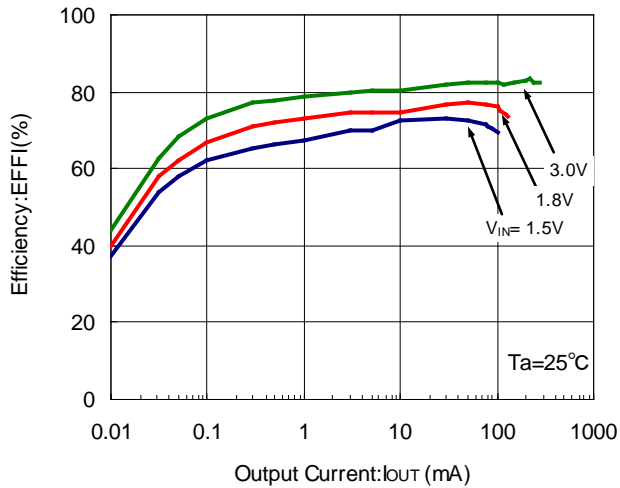


XCL101C501BR-G

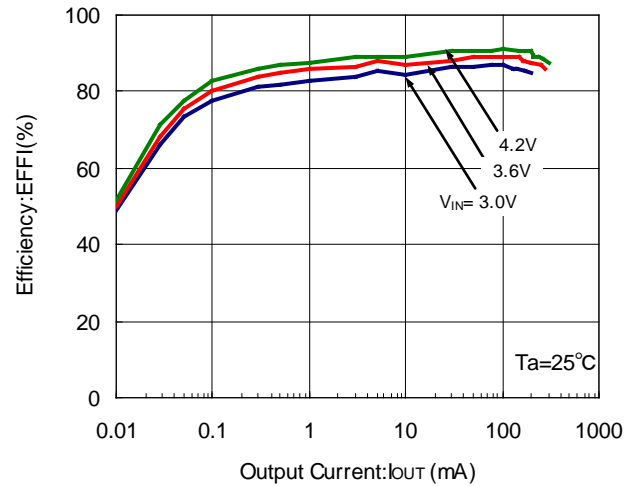


2) Efficiency vs. Output Current

XCL101C331BR-G

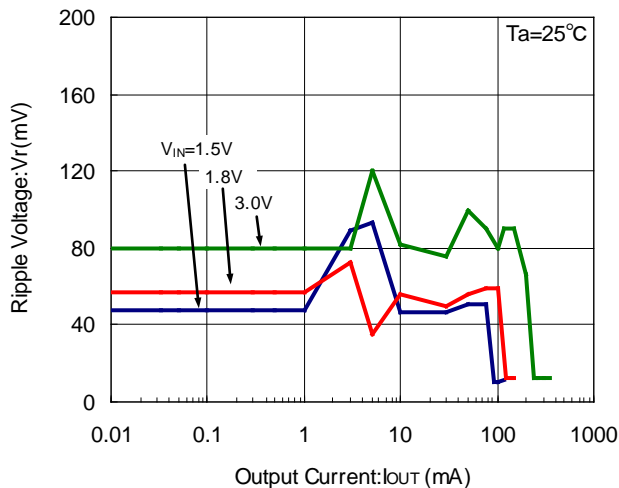


XCL101C501BR-G

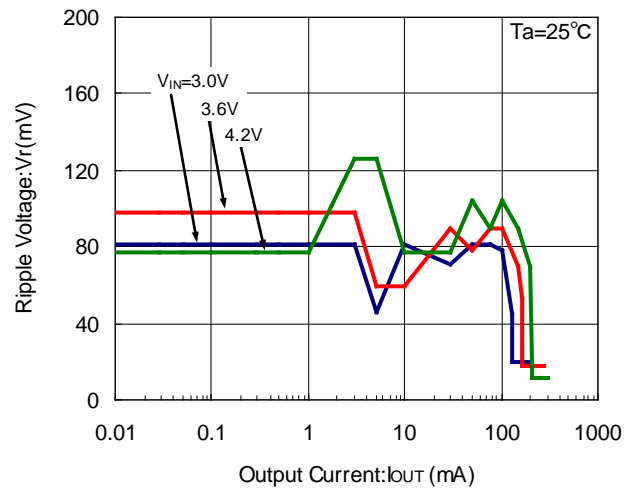


3) Ripple Voltage vs. Output Current

XCL101C331BR-G

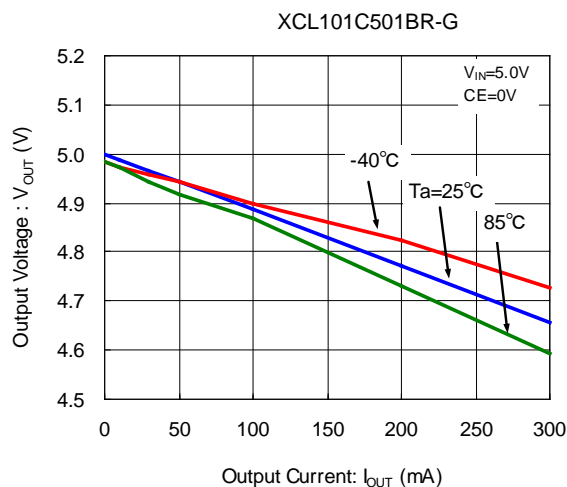
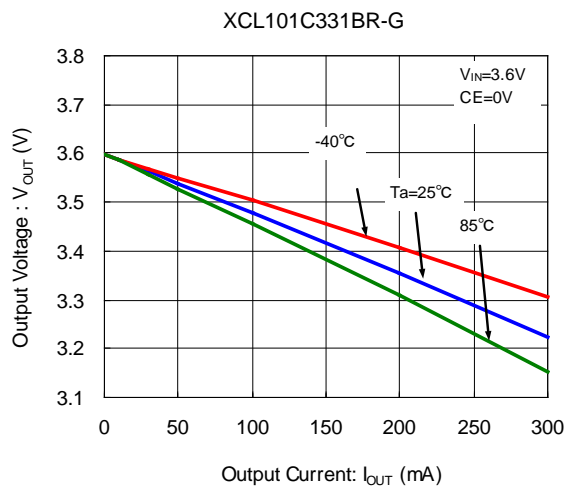


XCL101C501BR-G

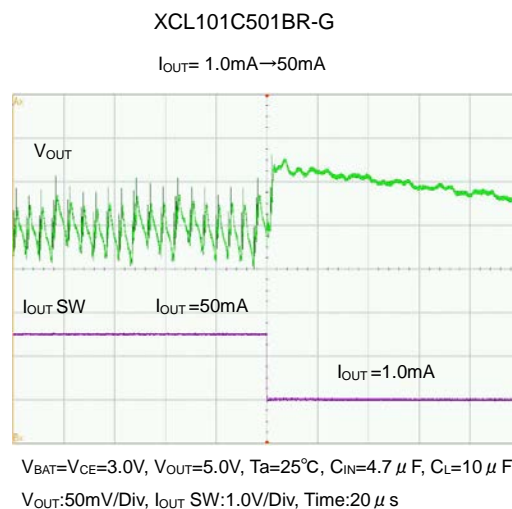
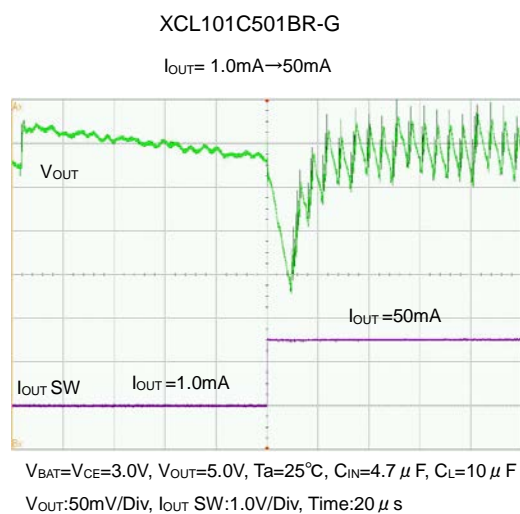
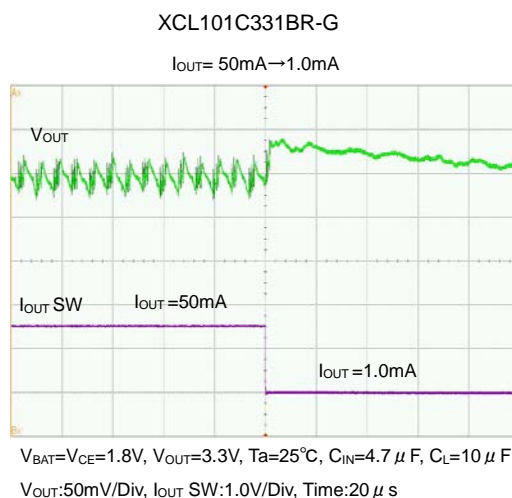
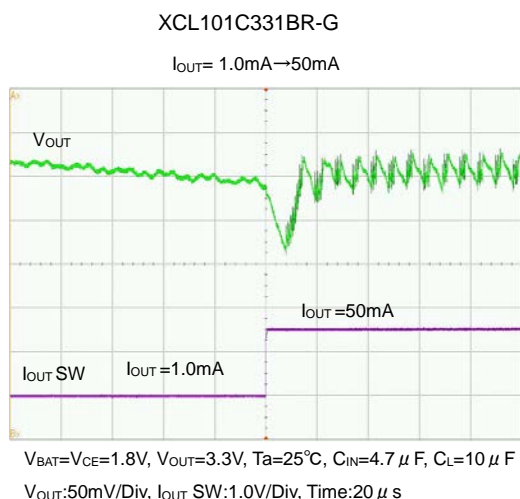


■ TYPICAL PERFORMANCE CHARACTERISTICS (Continued)

4) Bypass Voltage vs. Output Current



5) Load Transient Response

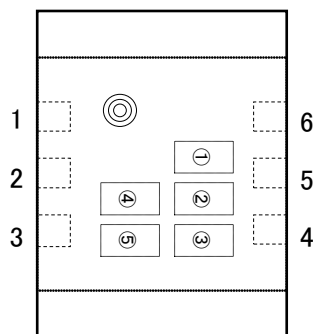


■ PACKAGING INFORMATION

For the latest package information go to, www.torexsemi.com/technical-support/packages

PACKAGE	OUTLINE / LAND PATTERN	THERMAL CHARACTERISTICS	
CL-2025	CL-2025 PKG	Standard Board	CL-2025 Power Dissipation
CL-2025-02	CL-2025-02 PKG	Standard Board	CL-2025-02 Power Dissipation

MARKING RULE



CL-2025/CL-2025-02

① represents products series

MARK	PRODUCT SERIES
1	XCL101*****-G

② represents integer portion of the output voltage

XCL101A**** XCL101C****

V _{OUT} (V)	MARK
1.x	1
2.x	2
3.x	3
4.x	4
5.x	5

V _{OUT} (V)	MARK
1.x	B
2.x	C
3.x	D
4.x	E
5.x	F

③ represents the decimal part of output voltage

V _{OUT} (V)	MARK	PRODUCT SERIES
X.0	0	XCL101**0***-G
X.1	1	XCL101**1***-G
X.2	2	XCL101**2***-G
X.3	3	XCL101**3***-G
X.4	4	XCL101**4***-G
X.5	5	XCL101**5***-G
X.6	6	XCL101**6***-G
X.7	7	XCL101**7***-G
X.8	8	XCL101**8***-G
X.9	9	XCL101**9***-G

Example (mark②, ③)

MARK					
XCL101A33***-G		XCL101C28***-G		XCL101A50***-G	
②	③	②	③	②	③
3	3	C	8	5	0

④, ⑤ represents production lot number

01~09, 0A~0Z, 11~9Z, A1~A9, AA~AZ, B1~ZZ in order.

(G, I, J, O, Q, W excluded)

* No character inversion used.

1. The product and product specifications contained herein are subject to change without notice to improve performance characteristics. Consult us, or our representatives before use, to confirm that the information in this datasheet is up to date.
2. The information in this datasheet is intended to illustrate the operation and characteristics of our products. We neither make warranties or representations with respect to the accuracy or completeness of the information contained in this datasheet nor grant any license to any intellectual property rights of ours or any third party concerning with the information in this datasheet.
3. Applicable export control laws and regulations should be complied and the procedures required by such laws and regulations should also be followed, when the product or any information contained in this datasheet is exported.
4. The product is neither intended nor warranted for use in equipment of systems which require extremely high levels of quality and/or reliability and/or a malfunction or failure which may cause loss of human life, bodily injury, serious property damage including but not limited to devices or equipment used in 1) nuclear facilities, 2) aerospace industry, 3) medical facilities, 4) automobile industry and other transportation industry and 5) safety devices and safety equipment to control combustions and explosions. Do not use the product for the above use unless agreed by us in writing in advance.
5. Although we make continuous efforts to improve the quality and reliability of our products; nevertheless Semiconductors are likely to fail with a certain probability. So in order to prevent personal injury and/or property damage resulting from such failure, customers are required to incorporate adequate safety measures in their designs, such as system fail safes, redundancy and fire prevention features.
6. Our products are not designed to be Radiation-resistant.
7. Please use the product listed in this datasheet within the specified ranges.
8. We assume no responsibility for damage or loss due to abnormal use.
9. All rights reserved. No part of this datasheet may be copied or reproduced unless agreed by Torex Semiconductor Ltd in writing in advance.

TOREX SEMICONDUCTOR LTD.



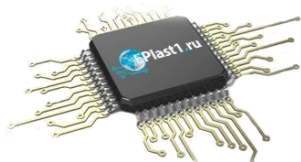
Компания «ЭлектроПласт» предлагает заключение долгосрочных отношений при поставках импортных электронных компонентов на взаимовыгодных условиях!

Наши преимущества:

- Оперативные поставки широкого спектра электронных компонентов отечественного и импортного производства напрямую от производителей и с крупнейших мировых складов;
- Поставка более 17-ти миллионов наименований электронных компонентов;
- Поставка сложных, дефицитных, либо снятых с производства позиций;
- Оперативные сроки поставки под заказ (от 5 рабочих дней);
- Экспресс доставка в любую точку России;
- Техническая поддержка проекта, помощь в подборе аналогов, поставка прототипов;
- Система менеджмента качества сертифицирована по Международному стандарту ISO 9001;
- Лицензия ФСБ на осуществление работ с использованием сведений, составляющих государственную тайну;
- Поставка специализированных компонентов (Xilinx, Altera, Analog Devices, Intersil, Interpoint, Microsemi, Aeroflex, Peregrine, Syfer, Eurofarad, Texas Instrument, Miteq, Cobham, E2V, MA-COM, Hittite, Mini-Circuits, General Dynamics и др.);

Помимо этого, одним из направлений компании «ЭлектроПласт» является направление «Источники питания». Мы предлагаем Вам помощь Конструкторского отдела:

- Подбор оптимального решения, техническое обоснование при выборе компонента;
- Подбор аналогов;
- Консультации по применению компонента;
- Поставка образцов и прототипов;
- Техническая поддержка проекта;
- Защита от снятия компонента с производства.



Как с нами связаться

Телефон: 8 (812) 309 58 32 (многоканальный)

Факс: 8 (812) 320-02-42

Электронная почта: org@eplast1.ru

Адрес: 198099, г. Санкт-Петербург, ул. Калинина, дом 2, корпус 4, литера А.