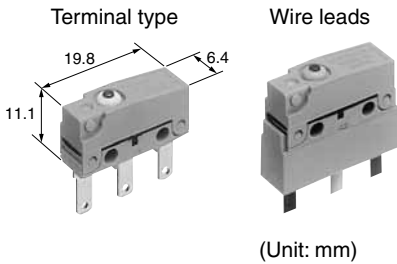




Subminiature Size Sealed Switches

ABS (BS) Turquoise Switches



FEATURES

- Subminiature size, High sealing performance sealed switches
- Elastomer double molding technology contribute to steady sealing quality
- Superior operating position precision

TYPICAL APPLICATIONS

- Automotive (detection of door opening and closing)
- Vacuum cleaner
- Air purifier
- Gas cooking range
- Personal hygiene systems

ORDERING INFORMATION



TERMINAL AND WIRE LEAD POSITION

■ PC board angle terminals



PC board right angle terminal (ABS4.....)



PC board left angle terminal (ABS5.....)

■ Wire leads position



Wire leads straight type (ABS1.....)



Wire leads right angle type (ABS4.....)



Wire leads left angle type (ABS5.....)

ABS (BS) Turquoise Switches

PRODUCT TYPES

(Color of plunger) AgNi alloy contact type: black, Au-clad triple layer contact type: dark red, Au-clad double layer contact type: green

■ Terminal type

1) AgNi alloy contact Note: Please order addition 3 at the end of the part number for safety standard type.

| Actuator | Operating Force OF Max. | .110 quick-connect terminal | Solder terminal | PC board terminal | | |
|------------------------|-------------------------|-----------------------------|-----------------|-------------------|----------------------|---------------------|
| | | | | Standard terminal | Right angle terminal | Left angle terminal |
| Pin plunger | 0.98 N | ABS111040 | ABS141040 | ABS151040 | ABS451040 | ABS551040 |
| | 1.47 N | ABS111050 | ABS141050 | ABS151050 | ABS451050 | ABS551050 |
| Short hinge lever | 0.39 N | ABS111140 | ABS141140 | ABS151140 | ABS451140 | ABS551140 |
| | 0.59 N | ABS111150 | ABS141150 | ABS151150 | ABS451150 | ABS551150 |
| Hinge lever | 0.34 N | ABS111240 | ABS141240 | ABS151240 | ABS451240 | ABS551240 |
| | 0.54 N | ABS111250 | ABS141250 | ABS151250 | ABS451250 | ABS551250 |
| Long hinge lever | 0.25 N | ABS111340 | ABS141340 | ABS151340 | ABS451340 | ABS551340 |
| | 0.44 N | ABS111350 | ABS141350 | ABS151350 | ABS451350 | ABS551350 |
| Simulated roller lever | 0.34 N | ABS111440 | ABS141440 | ABS151440 | ABS451440 | ABS551440 |
| | 0.54 N | ABS111450 | ABS141450 | ABS151450 | ABS451450 | ABS551450 |
| Roller lever | 0.39 N | ABS111640 | ABS141640 | ABS151640 | ABS451640 | ABS551640 |
| | 0.59 N | ABS111650 | ABS141650 | ABS151650 | ABS451650 | ABS551650 |

2) CuNi alloy + AgNi alloy + Au-clad triple layer contact Note: Please order addition 3 at the end of the part number for safety standard type.

| Actuator | Operating Force OF Max. | .110 quick-connect terminal | Solder terminal | PC board terminal | | |
|------------------------|-------------------------|-----------------------------|-----------------|-------------------|----------------------|---------------------|
| | | | | Standard terminal | Right angle terminal | Left angle terminal |
| Pin plunger | 0.98 N | ABS111041 | ABS141041 | ABS151041 | ABS451041 | ABS551041 |
| | 1.47 N | ABS111051 | ABS141051 | ABS151051 | ABS451051 | ABS551051 |
| Short hinge lever | 0.39 N | ABS111141 | ABS141141 | ABS151141 | ABS451141 | ABS551141 |
| | 0.59 N | ABS111151 | ABS141151 | ABS151151 | ABS451151 | ABS551151 |
| Hinge lever | 0.34 N | ABS111241 | ABS141241 | ABS151241 | ABS451241 | ABS551241 |
| | 0.54 N | ABS111251 | ABS141251 | ABS151251 | ABS451251 | ABS551251 |
| Long hinge lever | 0.25 N | ABS111341 | ABS141341 | ABS151341 | ABS451341 | ABS551341 |
| | 0.44 N | ABS111351 | ABS141351 | ABS151351 | ABS451351 | ABS551351 |
| Simulated roller lever | 0.34 N | ABS111441 | ABS141441 | ABS151441 | ABS451441 | ABS551441 |
| | 0.54 N | ABS111451 | ABS141451 | ABS151451 | ABS451451 | ABS551451 |
| Roller lever | 0.39 N | ABS111641 | ABS141641 | ABS151641 | ABS451641 | ABS551641 |
| | 0.59 N | ABS111651 | ABS141651 | ABS151651 | ABS451651 | ABS551651 |

3) CuNi alloy + Au-clad double layer contact Note: Please order addition 9 at the end of the part number for safety standard type.

| Actuator | Operating Force OF Max. | .110 quick-connect terminal | Solder terminal | PC board terminal | | |
|------------------------|-------------------------|-----------------------------|-----------------|-------------------|----------------------|---------------------|
| | | | | Standard terminal | Right angle terminal | Left angle terminal |
| Pin plunger | 0.98 N | ABS111044 | ABS141044 | ABS151044 | ABS451044 | ABS551044 |
| | 1.47 N | ABS111054 | ABS141054 | ABS151054 | ABS451054 | ABS551054 |
| Short hinge lever | 0.39 N | ABS111144 | ABS141144 | ABS151144 | ABS451144 | ABS551144 |
| | 0.59 N | ABS111154 | ABS141154 | ABS151154 | ABS451154 | ABS551154 |
| Hinge lever | 0.34 N | ABS111244 | ABS141244 | ABS151244 | ABS451244 | ABS551244 |
| | 0.54 N | ABS111254 | ABS141254 | ABS151254 | ABS451254 | ABS551254 |
| Long hinge lever | 0.25 N | ABS111344 | ABS141344 | ABS151344 | ABS451344 | ABS551344 |
| | 0.44 N | ABS111354 | ABS141354 | ABS151354 | ABS451354 | ABS551354 |
| Simulated roller lever | 0.34 N | ABS111444 | ABS141444 | ABS151444 | ABS451444 | ABS551444 |
| | 0.54 N | ABS111454 | ABS141454 | ABS151454 | ABS451454 | ABS551454 |
| Roller lever | 0.39 N | ABS111644 | ABS141644 | ABS151644 | ABS451644 | ABS551644 |
| | 0.59 N | ABS111654 | ABS141654 | ABS151654 | ABS451654 | ABS551654 |

■ 3 wire leads type (SPDT)

1) AgNi alloy contact

| Actuator | Operating Force OF Max. | SPDT | | |
|------------------------|-------------------------|---------------|------------------|-----------------|
| | | Straight type | Right angle type | Left angle type |
| Pin plunger | 0.98 N | ABS161040 | ABS461040 | ABS561040 |
| | 1.47 N | ABS161050 | ABS461050 | ABS561050 |
| Short hinge lever | 0.39 N | ABS161140 | ABS461140 | ABS561140 |
| | 0.59 N | ABS161150 | ABS461150 | ABS561150 |
| Hinge lever | 0.34 N | ABS161240 | ABS461240 | ABS561240 |
| | 0.54 N | ABS161250 | ABS461250 | ABS561250 |
| Long hinge lever | 0.25 N | ABS161340 | ABS461340 | ABS561340 |
| | 0.44 N | ABS161350 | ABS461350 | ABS561350 |
| Simulated roller lever | 0.34 N | ABS161440 | ABS461440 | ABS561440 |
| | 0.54 N | ABS161450 | ABS461450 | ABS561450 |
| Roller lever | 0.39 N | ABS161640 | ABS461640 | ABS561640 |
| | 0.59 N | ABS161650 | ABS461650 | ABS561650 |

2) CuNi alloy + AgNi alloy + Au-clad triple layer contact

| Actuator | Operating Force OF Max. | SPDT | | |
|------------------------|-------------------------|---------------|------------------|-----------------|
| | | Straight type | Right angle type | Left angle type |
| Pin plunger | 0.98 N | ABS161041 | ABS461041 | ABS561041 |
| | 1.47 N | ABS161051 | ABS461051 | ABS561051 |
| Short hinge lever | 0.39 N | ABS161141 | ABS461141 | ABS561141 |
| | 0.59 N | ABS161151 | ABS461151 | ABS561151 |
| Hinge lever | 0.34 N | ABS161241 | ABS461241 | ABS561241 |
| | 0.54 N | ABS161251 | ABS461251 | ABS561251 |
| Long hinge lever | 0.25 N | ABS161341 | ABS461341 | ABS561341 |
| | 0.44 N | ABS161351 | ABS461351 | ABS561351 |
| Simulated roller lever | 0.34 N | ABS161441 | ABS461441 | ABS561441 |
| | 0.54 N | ABS161451 | ABS461451 | ABS561451 |
| Roller lever | 0.39 N | ABS161641 | ABS461641 | ABS561641 |
| | 0.59 N | ABS161651 | ABS461651 | ABS561651 |

3) CuNi alloy + Au-clad double layer contact

| Actuator | Operating Force OF Max. | SPDT | | |
|------------------------|-------------------------|---------------|------------------|-----------------|
| | | Straight type | Right angle type | Left angle type |
| Pin plunger | 0.98 N | ABS161044 | ABS461044 | ABS561044 |
| | 1.47 N | ABS161054 | ABS461054 | ABS561054 |
| Short hinge lever | 0.39 N | ABS161144 | ABS461144 | ABS561144 |
| | 0.59 N | ABS161154 | ABS461154 | ABS561154 |
| Hinge lever | 0.34 N | ABS161244 | ABS461244 | ABS561244 |
| | 0.54 N | ABS161254 | ABS461254 | ABS561254 |
| Long hinge lever | 0.25 N | ABS161344 | ABS461344 | ABS561344 |
| | 0.44 N | ABS161354 | ABS461354 | ABS561354 |
| Simulated roller lever | 0.34 N | ABS161444 | ABS461444 | ABS561444 |
| | 0.54 N | ABS161454 | ABS461454 | ABS561454 |
| Roller lever | 0.39 N | ABS161644 | ABS461644 | ABS561644 |
| | 0.59 N | ABS161654 | ABS461654 | ABS561654 |

ABS (BS) Turquoise Switches

■ 2 wire leads type (SPST-NC)

1) AgNi alloy contact

| Actuator | Operating Force OF Max. | SPST-NC | | |
|------------------------|-------------------------|---------------|------------------|-----------------|
| | | Straight type | Right angle type | Left angle type |
| Pin plunger | 0.98 N | ABS162040 | ABS462040 | ABS562040 |
| | 1.47 N | ABS162050 | ABS462050 | ABS562050 |
| Short hinge lever | 0.39 N | ABS162140 | ABS462140 | ABS562140 |
| | 0.59 N | ABS162150 | ABS462150 | ABS562150 |
| Hinge lever | 0.34 N | ABS162240 | ABS462240 | ABS562240 |
| | 0.54 N | ABS162250 | ABS462250 | ABS562250 |
| Long hinge lever | 0.25 N | ABS162340 | ABS462340 | ABS562340 |
| | 0.44 N | ABS162350 | ABS462350 | ABS562350 |
| Simulated roller lever | 0.34 N | ABS162440 | ABS462440 | ABS562440 |
| | 0.54 N | ABS162450 | ABS462450 | ABS562450 |
| Roller lever | 0.39 N | ABS162640 | ABS462640 | ABS562640 |
| | 0.59 N | ABS162650 | ABS462650 | ABS562650 |

2) CuNi alloy + AgNi alloy + Au-clad triple layer contact

| Actuator | Operating Force OF Max. | SPST-NC | | |
|------------------------|-------------------------|---------------|------------------|-----------------|
| | | Straight type | Right angle type | Left angle type |
| Pin plunger | 0.98 N | ABS162041 | ABS462041 | ABS562041 |
| | 1.47 N | ABS162051 | ABS462051 | ABS562051 |
| Short hinge lever | 0.39 N | ABS162141 | ABS462141 | ABS562141 |
| | 0.59 N | ABS162151 | ABS462151 | ABS562151 |
| Hinge lever | 0.34 N | ABS162241 | ABS462241 | ABS562241 |
| | 0.54 N | ABS162251 | ABS462251 | ABS562251 |
| Long hinge lever | 0.25 N | ABS162341 | ABS462341 | ABS562341 |
| | 0.44 N | ABS162351 | ABS462351 | ABS562351 |
| Simulated roller lever | 0.34 N | ABS162441 | ABS462441 | ABS562441 |
| | 0.54 N | ABS162451 | ABS462451 | ABS562451 |
| Roller lever | 0.39 N | ABS162641 | ABS462641 | ABS562641 |
| | 0.59 N | ABS162651 | ABS462651 | ABS562651 |

3) CuNi alloy + Au-clad double layer contact

| Actuator | Operating Force OF Max. | SPST-NC | | |
|------------------------|-------------------------|---------------|------------------|-----------------|
| | | Straight type | Right angle type | Left angle type |
| Pin plunger | 0.98 N | ABS162044 | ABS462044 | ABS562044 |
| | 1.47 N | ABS162054 | ABS462054 | ABS562054 |
| Short hinge lever | 0.39 N | ABS162144 | ABS462144 | ABS562144 |
| | 0.59 N | ABS162154 | ABS462154 | ABS562154 |
| Hinge lever | 0.34 N | ABS162244 | ABS462244 | ABS562244 |
| | 0.54 N | ABS162254 | ABS462254 | ABS562254 |
| Long hinge lever | 0.25 N | ABS162344 | ABS462344 | ABS562344 |
| | 0.44 N | ABS162354 | ABS462354 | ABS562354 |
| Simulated roller lever | 0.34 N | ABS162444 | ABS462444 | ABS562444 |
| | 0.54 N | ABS162454 | ABS462454 | ABS562454 |
| Roller lever | 0.39 N | ABS162644 | ABS462644 | ABS562644 |
| | 0.59 N | ABS162654 | ABS462654 | ABS562654 |

■ 2 wire leads type (SPST-NO)

1) AgNi alloy contact

| Actuator | Operating Force OF Max. | SPST-NO | | |
|------------------------|-------------------------|---------------|------------------|-----------------|
| | | Straight type | Right angle type | Left angle type |
| Pin plunger | 0.98 N | ABS163040 | ABS463040 | ABS563040 |
| | 1.47 N | ABS163050 | ABS463050 | ABS563050 |
| Short hinge lever | 0.39 N | ABS163140 | ABS463140 | ABS563140 |
| | 0.59 N | ABS163150 | ABS463150 | ABS563150 |
| Hinge lever | 0.34 N | ABS163240 | ABS463240 | ABS563240 |
| | 0.54 N | ABS163250 | ABS463250 | ABS563250 |
| Long hinge lever | 0.25 N | ABS163340 | ABS463340 | ABS563340 |
| | 0.44 N | ABS163350 | ABS463350 | ABS563350 |
| Simulated roller lever | 0.34 N | ABS163440 | ABS463440 | ABS563440 |
| | 0.54 N | ABS163450 | ABS463450 | ABS563450 |
| Roller lever | 0.39 N | ABS163640 | ABS463640 | ABS563640 |
| | 0.59 N | ABS163650 | ABS463650 | ABS563650 |

2) CuNi alloy + AgNi alloy + Au-clad triple layer contact

| Actuator | Operating Force OF Max. | SPST-NO | | |
|------------------------|-------------------------|-----------|-------------|------------|
| | | Straight | Right angle | Left angle |
| Pin plunger | 0.98 N | ABS163041 | ABS463041 | ABS563041 |
| | 1.47 N | ABS163051 | ABS463051 | ABS563051 |
| Short hinge lever | 0.39 N | ABS163141 | ABS463141 | ABS563141 |
| | 0.59 N | ABS163151 | ABS463151 | ABS563151 |
| Hinge lever | 0.34 N | ABS163241 | ABS463241 | ABS563241 |
| | 0.54 N | ABS163251 | ABS463251 | ABS563251 |
| Long hinge lever | 0.25 N | ABS163341 | ABS463341 | ABS563341 |
| | 0.44 N | ABS163351 | ABS463351 | ABS563351 |
| Simulated roller lever | 0.34 N | ABS163441 | ABS463441 | ABS563441 |
| | 0.54 N | ABS163451 | ABS463451 | ABS563451 |
| Roller lever | 0.39 N | ABS163641 | ABS463641 | ABS563641 |
| | 0.59 N | ABS163651 | ABS463651 | ABS563651 |

3) CuNi alloy + Au-clad double layer contact

| Actuator | Operating Force OF Max. | SPST-NO | | |
|------------------------|-------------------------|-----------|-------------|------------|
| | | Straight | Right angle | Left angle |
| Pin plunger | 0.98 N | ABS163044 | ABS463044 | ABS563044 |
| | 1.47 N | ABS163054 | ABS463054 | ABS563054 |
| Short hinge lever | 0.39 N | ABS163144 | ABS463144 | ABS563144 |
| | 0.59 N | ABS163154 | ABS463154 | ABS563154 |
| Hinge lever | 0.34 N | ABS163244 | ABS463244 | ABS563244 |
| | 0.54 N | ABS163254 | ABS463254 | ABS563254 |
| Long hinge lever | 0.25 N | ABS163344 | ABS463344 | ABS563344 |
| | 0.44 N | ABS163354 | ABS463354 | ABS563354 |
| Simulated roller lever | 0.34 N | ABS163444 | ABS463444 | ABS563444 |
| | 0.54 N | ABS163454 | ABS463454 | ABS563454 |
| Roller lever | 0.39 N | ABS163644 | ABS463644 | ABS563644 |
| | 0.59 N | ABS163654 | ABS463654 | ABS563654 |

ABS (BS) Turquoise Switches

■ Immersion protected type (3 wire leads type SPDT)

• Leaf lever type

1) AgNi alloy

| Actuator | Operating force Max. | SPDT | | |
|------------|----------------------|---------------|-------------|------------|
| | | Wire position | | |
| | | Straight | Right angle | Left angle |
| Leaf lever | 0.88 N | ABS161840 | ABS461840 | ABS561840 |
| | 1.08 N | ABS161850 | ABS461850 | ABS561850 |

2) Au-clad triple layer

| Actuator | Operating force Max. | SPDT | | |
|------------|----------------------|---------------|-------------|------------|
| | | Wire position | | |
| | | Straight | Right angle | Left angle |
| Leaf lever | 0.88 N | ABS161841 | ABS461841 | ABS561841 |
| | 1.08 N | ABS161851 | ABS461851 | ABS561851 |

3) Au-clad double layer

| Actuator | Operating force Max. | SPDT | | |
|------------|----------------------|---------------|-------------|------------|
| | | Wire position | | |
| | | Straight | Right angle | Left angle |
| Leaf lever | 0.88 N | ABS161844 | ABS461844 | ABS561844 |
| | 1.08 N | ABS161854 | ABS461854 | ABS561854 |

■ Immersion protected type (2 wire leads type SPST-NC)

• Leaf lever type

1) AgNi alloy

| Actuator | Operating force Max. | SPST-NC | | |
|------------|----------------------|---------------|-------------|------------|
| | | Wire position | | |
| | | Straight | Right angle | Left angle |
| Leaf lever | 0.88 N | ABS162840 | ABS462840 | ABS562840 |
| | 1.08 N | ABS162850 | ABS462850 | ABS562850 |

2) Au-clad triple layer

| Actuator | Operating force Max. | SPST-NC | | |
|------------|----------------------|---------------|-------------|------------|
| | | Wire position | | |
| | | Straight | Right angle | Left angle |
| Leaf lever | 0.88 N | ABS162841 | ABS462841 | ABS562841 |
| | 1.08 N | ABS162851 | ABS462851 | ABS562851 |

3) Au-clad double layer

| Actuator | Operating force Max. | SPST-NC | | |
|------------|----------------------|---------------|-------------|------------|
| | | Wire position | | |
| | | Straight | Right angle | Left angle |
| Leaf lever | 0.88 N | ABS162844 | ABS462844 | ABS562844 |
| | 1.08 N | ABS162854 | ABS462854 | ABS562854 |

■ Immersion protected type (2 wire leads type SPST-NO)

• Leaf lever type

1) AgNi alloy

| Actuator | Operating force Max. | SPST-NO | | |
|------------|----------------------|---------------|-------------|------------|
| | | Wire position | | |
| | | Straight | Right angle | Left angle |
| Leaf lever | 0.88 N | ABS163840 | ABS463840 | ABS563840 |
| | 1.08 N | ABS163850 | ABS463850 | ABS563850 |

2) Au-clad triple layer

| Actuator | Operating force Max. | SPST-NO | | |
|------------|----------------------|---------------|-------------|------------|
| | | Wire position | | |
| | | Straight | Right angle | Left angle |
| Leaf lever | 0.88 N | ABS163841 | ABS463841 | ABS563841 |
| | 1.08 N | ABS163851 | ABS463851 | ABS563851 |

* Safety standard: Please refer to "Ordering information".

3) Au-clad double layer

| Actuator | Operating force Max. gf | SPST-NO | | |
|------------|-------------------------|---------------|-------------|------------|
| | | Wire position | | |
| | | Straight | Right angle | Left angle |
| Leaf lever | 0.88 N | ABS163844 | ABS463844 | ABS563844 |
| | 1.08 N | ABS163854 | ABS463854 | ABS563854 |

* Safety standard: Please refer to "Ordering information".

SPECIFICATIONS

■ Contact rating

| Item | Specifications | | | |
|------------------------|---|--------------------------------------|---|---|
| Contact specifications | AgNi alloy contact type Plunger color: Black | | Au-clad contact type | |
| | | | Triple layer contact type Plunger color: Red | Double layer contact type Plunger color: Green |
| Load style | Resistive load | Inductive load ($\cos\phi=0.7$) | Resistive load | Resistive load |
| 125 V AC | 2 A | 2 A | 0.1 A | — |
| 250 V AC | 2 A | 2 A | 0.1 A | — |
| 30 V DC | 2 A | 2 A | 0.1 A | 0.1 A |
| 125 V DC | 0.4 A | 0.05 A | — | — |

Note: Inductive load with direct current is 7 ms time constant or less.

• Low-level circuit rating (Au-clad contact type)

| Rated voltage | Resistive load |
|---------------|----------------|
| 6 V DC | 5 mA |
| 12 V DC | 2 mA |
| 24 V DC | 1 mA |

- Recommended contact material chart classified by load voltage & current (reference)



Note: If the contact is being used in the constant low-level circuit load range, the Au-clad double layer contact is recommended. If there is a danger of the current being less than 0.5 A, for instance if the contact is being turned on and off, the Au-clad triple layer contact type is recommended. The diagram above is intended as a reference. Please use the product within the rated voltage and current.

■ Characteristics

| Item | Specifications | |
|---|---|---|
| Expected life | Mechanical life (OT: Specified value) | Leaf lever: Min. 5×10^5 (at 60 cpm), Other types: Min. 5×10^6 (at 60 cpm) |
| | Electrical life (OT: Max.) | AgNi alloy contact type |
| Au-clad contact type | | Min. 2×10^5 (at 20 cpm) (at rated load) |
| Insulation resistance | Min. 100 MΩ (at 500 V DC insulation resistance meter) | |
| Dielectric strength | Between non-continuous terminals | 1,000 Vrms |
| | Between each terminal and other exposed metal parts | 1,500 Vrms |
| | Between each terminal and ground | 1,500 Vrms |
| Vibration resistance (Pin plunger type) | 10 to 55 Hz at single amplitude of 0.75 mm (Contact opening Max. 1 msec.) | |
| Shock resistance (Pin plunger type) | Min. 294 m/s ² (Contact opening Max. 1 msec.) | |
| Contact resistance (Initial) | AgNi alloy contact type | Terminal type Max. 50 mΩ Wire leads: Max. 100 mΩ (by voltage drop 1 A 6 to 8 V DC) |
| | Au-clad contact type | Terminal type: Max. 100 mΩ Wire leads: Max. 150 mΩ (by voltage drop 0.1 A 6 to 8 V DC) |
| Allowable operating speed (at no load) | 0.1 to 500 mm/sec. | |
| Max. operating cycle rate (at no load) | 120 cpm | |
| Ambient temperature | -40°C to +85°C | |
| Unit weight | Approx. 2 g (Terminal type) | |
| Protection grade | IP67 (except exposed terminal part of terminal type) | |

Note: Test conditions and judgement are complying with "NECA C 4505".

■ Operating characteristics

| Type of actuator | 8th digit of Part No. | Operating Force (OF) Max. | Release Force (RF) Min. | Pretravel (PT) Max. | Movement Differential (MD) Max. | Overtravel (OT) Min. | Operating Position (OP) |
|------------------------|-----------------------|---------------------------|-------------------------|---------------------|---------------------------------|----------------------|-------------------------|
| Pin plunger | 4 | 0.98N | 0.15N | 0.6mm | 0.1mm | 0.4mm | 8.4±0.3mm |
| | 5 | 1.47N | 0.20N | 0.6mm | 0.1mm | 0.4mm | 8.4±0.3mm |
| Short hinge lever | 4 | 0.39N | 0.034N | 2.5mm | 0.5mm | 0.8mm | 8.8±0.8mm |
| | 5 | 0.59N | 0.039N | 2.5mm | 0.5mm | 0.8mm | 8.8±0.8mm |
| Hinge lever | 4 | 0.34N | 0.029N | 2.8mm | 0.8mm | 1.2mm | 8.8±0.8mm |
| | 5 | 0.54N | 0.034N | 2.8mm | 0.8mm | 1.2mm | 8.8±0.8mm |
| Long hinge lever | 4 | 0.25N | 0.025N | 3.5mm | 1.0mm | 1.6mm | 8.8±1.2mm |
| | 5 | 0.44N | 0.029N | 3.5mm | 1.0mm | 1.6mm | 8.8±1.2mm |
| Simulated roller lever | 4 | 0.34N | 0.029N | 2.8mm | 0.8mm | 1.2mm | 11.65±0.8mm |
| | 5 | 0.54N | 0.034N | 2.8mm | 0.8mm | 1.2mm | 11.65±0.8mm |
| Roller lever | 4 | 0.39N | 0.034N | 2.5mm | 0.5mm | 0.8mm | 14.5±0.8mm |
| | 5 | 0.59N | 0.039N | 2.5mm | 0.5mm | 0.8mm | 14.5±0.8mm |
| Leaf lever | 4 | 0.88N | 0.17N | 4.5mm | 1.0mm | 2.5mm | 14.5±1.5mm |
| | 5 | 1.08N | 0.20N | 4.5mm | 1.0mm | 2.5mm | 14.5±1.5mm |

ABS (BS) Turquoise Switches

DIMENSIONS

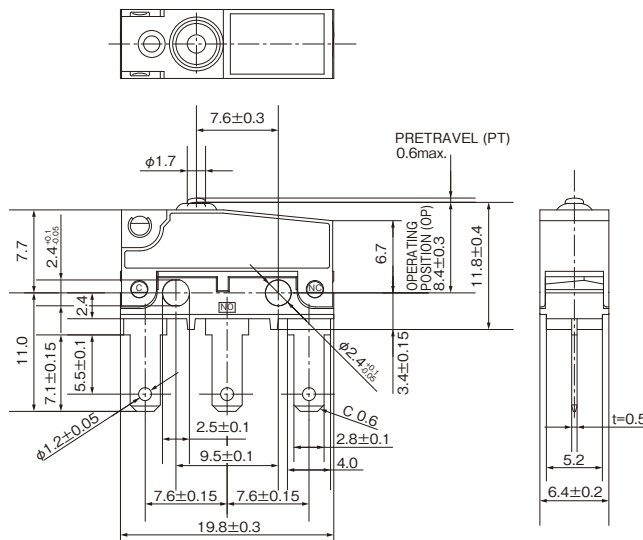
(Unit: mm) General tolerance: ± 0.25

CAD Data The CAD data of the products with a "CAD Data" mark can be downloaded from our Website.

■ .110 quick-connect terminal

Pin plunger

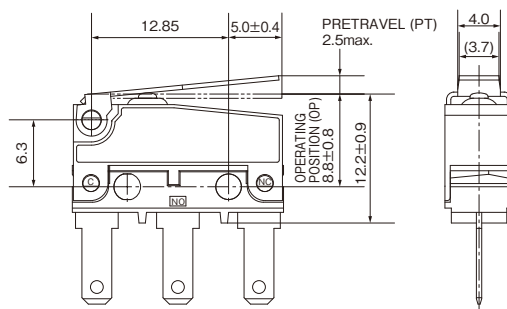
CAD Data



| | | |
|---------------------------------|-----------------------------|---------------------------|
| Pretravel (PT) Max. | 0.6mm | |
| Movement Differential (MD) Max. | 0.1mm | |
| Overtravel (OT) Min. | 0.4mm | |
| Operating Position (OP) | Distance from mounting hole | $8.4 \pm 0.3 \text{ mm}$ |
| | Distance from stand-off | $11.8 \pm 0.4 \text{ mm}$ |

Short hinge lever

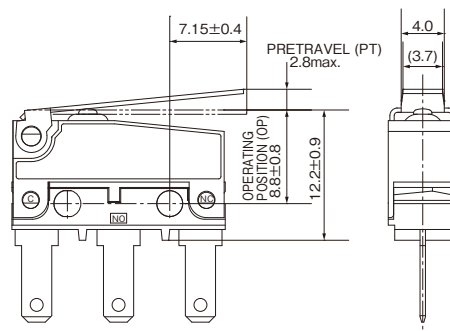
CAD Data



| | | |
|---------------------------------|-----------------------------|---------------------------|
| Pretravel (PT) Max. | 2.5mm | |
| Movement Differential (MD) Max. | 0.5mm | |
| Overtravel (OT) Min. | 0.8mm | |
| Operating Position (OP) | Distance from mounting hole | $8.8 \pm 0.8 \text{ mm}$ |
| | Distance from stand-off | $12.2 \pm 0.9 \text{ mm}$ |

Hinge lever

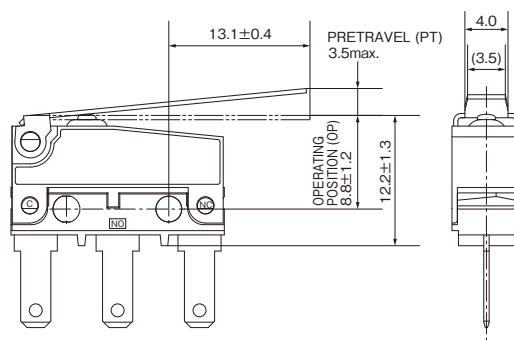
CAD Data



| | | |
|---------------------------------|-----------------------------|---------------------------|
| Pretravel (PT) Max. | 2.8mm | |
| Movement Differential (MD) Max. | 0.8mm | |
| Overtravel (OT) Min. | 1.2mm | |
| Operating Position (OP) | Distance from mounting hole | $8.8 \pm 0.8 \text{ mm}$ |
| | Distance from stand-off | $12.2 \pm 0.9 \text{ mm}$ |

Long hinge lever

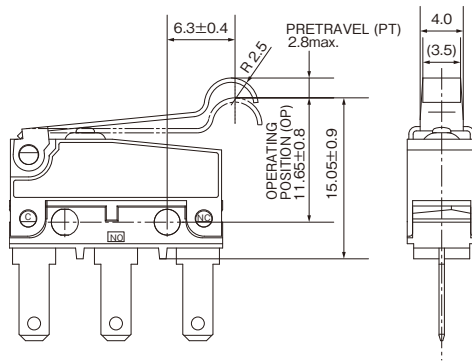
CAD Data



| | | |
|---------------------------------|-----------------------------|---------------------------|
| Pretravel (PT) Max. | 3.5mm | |
| Movement Differential (MD) Max. | 1.0mm | |
| Overtravel (OT) Min. | 1.6mm | |
| Operating Position (OP) | Distance from mounting hole | $8.8 \pm 1.2 \text{ mm}$ |
| | Distance from stand-off | $12.2 \pm 1.3 \text{ mm}$ |

Simulated roller lever

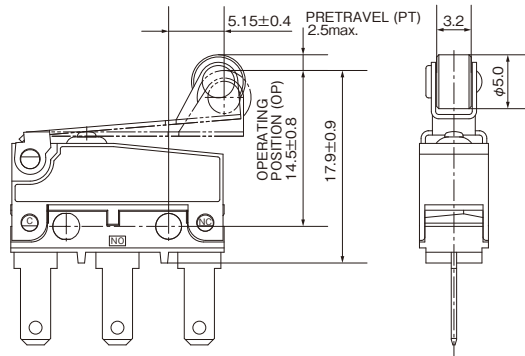
CAD Data



| | | |
|---------------------------------|-----------------------------|----------------------------|
| Pretravel (PT) Max. | 2.8mm | |
| Movement Differential (MD) Max. | 0.8mm | |
| Overtravel (OT) Min. | 1.2mm | |
| Operating Position (OP) | Distance from mounting hole | $11.65 \pm 0.8 \text{ mm}$ |
| | Distance from stand-off | $15.05 \pm 0.9 \text{ mm}$ |

Roller lever

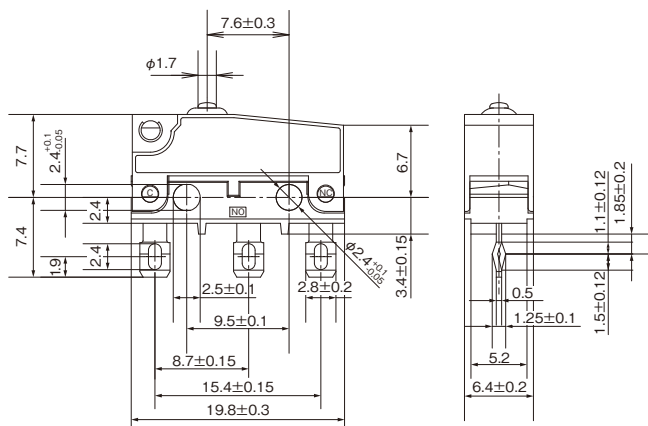
CAD Data



| | | |
|---------------------------------|-----------------------------|---------------------------|
| Pretravel (PT) Max. | 2.5mm | |
| Movement Differential (MD) Max. | 0.5mm | |
| Overtravel (OT) Min. | 0.8mm | |
| Operating Position (OP) | Distance from mounting hole | $14.5 \pm 0.8 \text{ mm}$ |
| | Distance from stand-off | $17.9 \pm 0.9 \text{ mm}$ |

Solder terminal

CAD Data

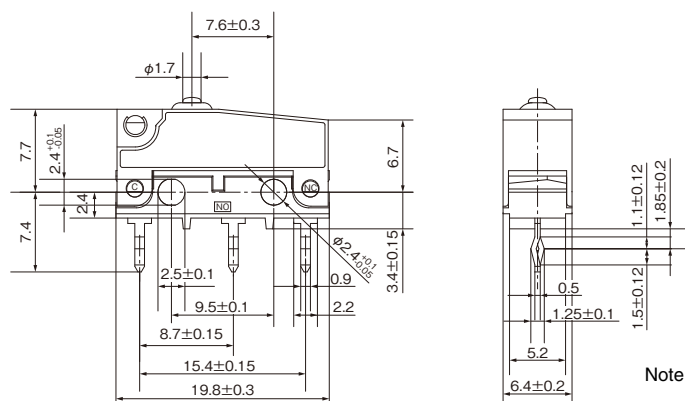


Note: Dimensions of the actuator types are the same as those of corresponding .110 quick-connect terminal types.

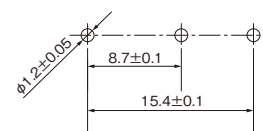
PC board terminal

Straight type

CAD Data



PC board pattern

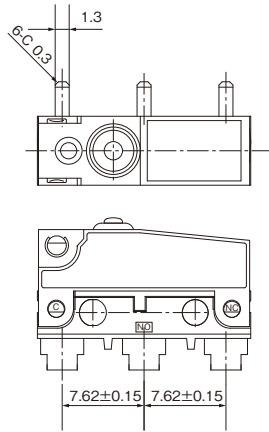


Note: Dimensions of the actuator types are the same as those of corresponding .110 quick-connect terminal types.

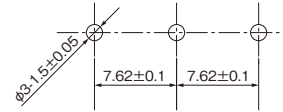
ABS (BS) Turquoise Switches

■ PC board right angle terminal

CAD Data



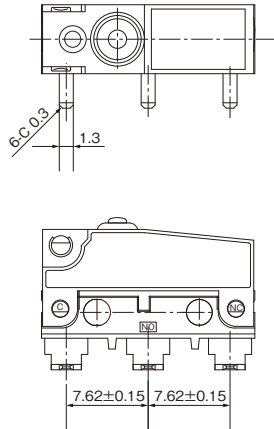
PC board pattern



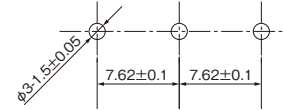
Note: Dimensions of the actuator types are the same as those of corresponding .110 quick-connect terminal types.

■ PC board left angle terminal

CAD Data



PC board pattern



Note: Dimensions of the actuator types are the same as those of corresponding .110 quick-connect terminal types.

■ Wire leads

Wire leads straight type

CAD Data



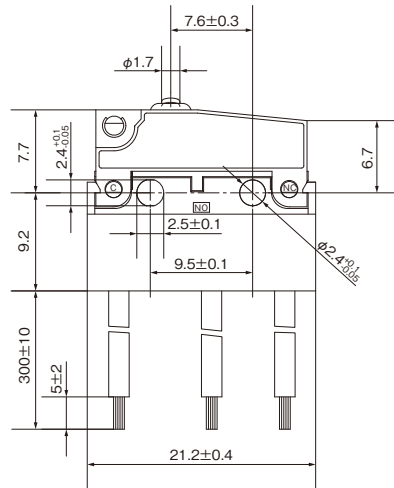
SPDT



SPST-NC



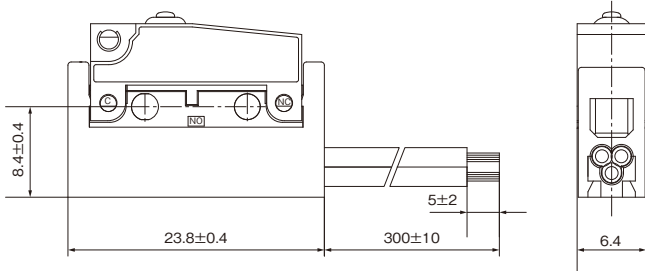
SPST-NO



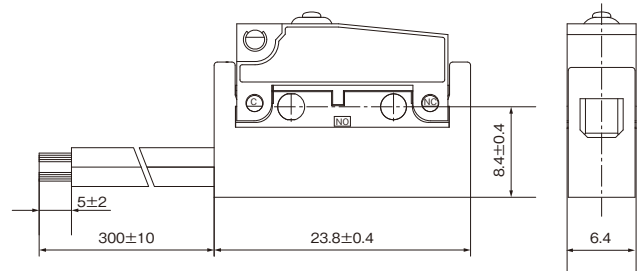
Thickness of the wire lead: 0.5 mm²
 Color of the wire lead:
 COM... Black
 NO..... White
 NC..... Red

Note: Other dimensions are the same as those of .110 quick-connect terminal types.
 Dimensions of the actuator types are the same as those of corresponding .110 quick-connect terminal types.

Wire leads right angle type



Wire leads left angle type

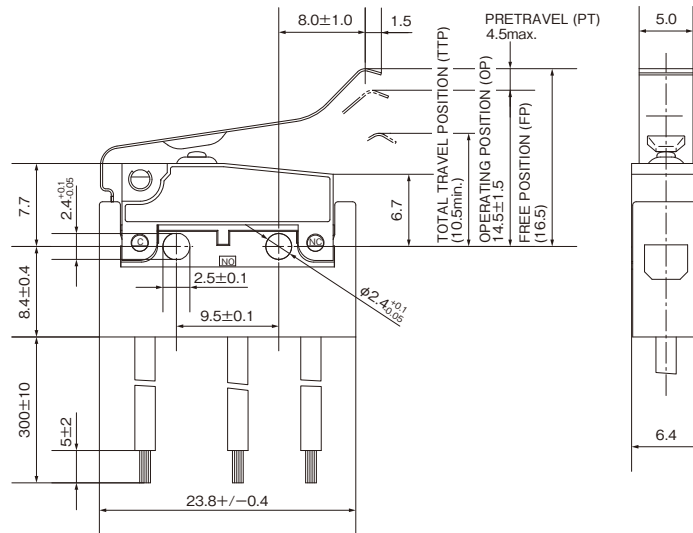


Note: For wire leads right angle type and left angle type, the wire lead is changed to UL compliant (AWG20).
 Color of the wire is same as straight type.

■ Wire leads leaf lever type

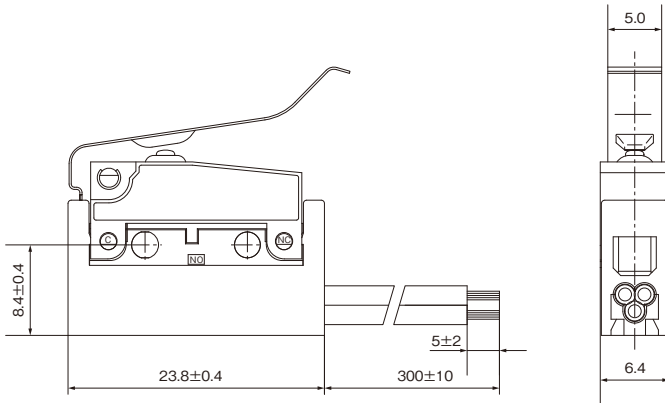
Wire leads straight type

CAD Data

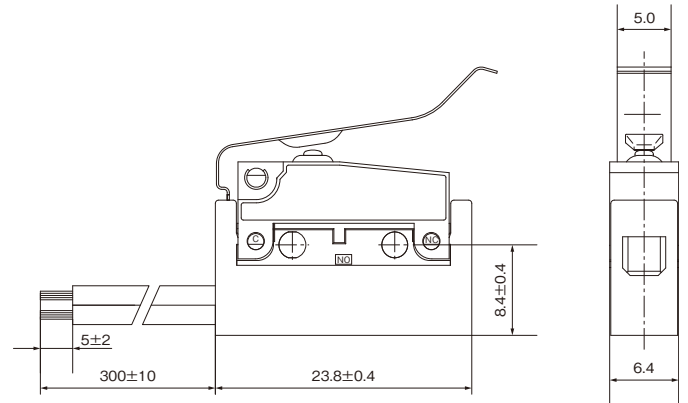


Thickness of the wire lead: 0.5 mm²
 Color of the wire lead:
 COM... Black
 NO..... White
 NC..... Red

Wire leads right angle type



Wire leads left angle type



Note: For wire leads right angle type and left angle type, the wire lead is changed to UL compliant (AWG20).
 Color of the wire is same as straight type.

Notes for Turquoise Switches (BJ, BS, BV type)

CAUTIONS FOR USE (Common for BJ, BS and BV types)

■ Fastening of the switch body

1) Fasten the switch body onto a smooth surface using the correct screw as shown in the chart below and tighten it with the prescribed torque.

The switch case may deform depending on the type of screw (screw head diameter, etc.), the size of the washer, and the use or non-use of a washer. Therefore, please confirm the appropriate torque of actual conditions. Also, it is recommended that adhesive be applied to lock the screws to prevent loosening of the screws. When doing so, please be careful not let any adhesive get inside the switch.

| | Screws | Tightening torque |
|-------------------|--------|------------------------|
| ABJ (BJ) switches | M1.2 | Not more than 0.098N·m |
| | M2.3 | Not more than 0.29N·m |
| | M3.0 | Not more than 0.29N·m |
| ABS (BS) switches | M2.3 | Not more than 0.29N·m |
| ABV (BV) switches | M3.0 | Not more than 0.49N·m |

2) Fixed pin type

To secure the switch unit, thermally crimp or press-fit the mounting pins. If the pins are to be press-fitted, install a guide on the opposite surface to the mounting pins to prevent them from slipping out of position and developing play.

3) Be sure to maintain adequate insulating clearance between each terminal and ground.

4) The positioning of the switch should be such that direct force is not applied to the pushbutton or actuator in its free position. The operating force to the pushbutton should only be applied in a perpendicular direction.

5) The standard value of overtravel used should be within the range of 70% to 100% of the rated OT value.

6) When soldering the BV type turquoise switch or the immersion protected type of the BJ and BS type switches, the sealing material sometimes forms a lump or bulge at the base of the terminal or lead. Be sure to allow enough space for this when attaching the switch.

■ Soldering operations

1) Manual soldering: Perform soldering in less than 3 seconds with maximum 350°C iron. Care should be taken not to apply force to the terminals during soldering. We recommend a soldering iron with temperature adjustment in order to prevent poor quality soldering.

Please consult us if you intend to use a soldering iron of 60 W or higher.

2) Terminal portions should not be moved within 1 minute after soldering.

| | Soldering time |
|-------------------|------------------|
| ABJ (BJ) switches | Within 3 seconds |
| ABS (BS) switches | Within 3 seconds |
| ABV (BV) switches | Within 5 seconds |

■ Selection of the switch

Allow for up to $\pm 20\%$ variation of the specified characteristics values to compensate for long term operational wear of the switch in your design.

■ Cautions regarding use

1) When switching inductive loads (relays, solenoids, buzzers, etc.), an arc absorbing circuit is recommended to protect the contacts.

2) If switching of the contact is synchronized with the phase of the AC power, reduced electrical life or welded contact may occur. Therefore, test the switch while it is operating under actual loads for this condition. If found, you may wish to take corrective action in your design.

3) In the slow or high speed operating condition, the electrical life might be greatly reduced depending upon the switching load. Please consult us before use.

4) Using lever type in do not condition, there is the concern that the flexible part may be impeded and return movement may not be possible. In this situation take the following precautions:

- Select a product of higher OF or use a leaf type lever.
- Attach a protective cover to the lever.

5) If the leaf lever type switch is excessively pushed (pushed further than the operational limit position) or switching is done at high speed or is accompanied by the impact, the lever will break. Please be careful. Also, be careful with the short roller lever type ABV (BV) switch as improper return may result from pressing too much.

■ Protection from dust, water and corrosive gas

1) The pin button and the space around the body cap Turquoise switches are sealed with elastic material, the terminal portion is integrally molded. This prevents dust entry and protects the switch against corrosive gases. Wireleaded types are recommended for applications subject to water or oil splash. However, avoid soaking these immersion protected types in oil or water, because those types are not of completely oil tight construction.

2) Switch operation or rapid temperature change while water droplets are on the switch may cause the water invasion inside the switch because of breathing action on condensation. Especially do not use switch in a bath.

If sources of silicon gas are existing in the vicinity of the switch (silicon rubber, silicon oil, silicon coating, and silicon filler, etc.), silicon gas (low molecular siloxane, etc.) will be emitted and it will get into the product due to the permeability of the plastic. If the switch is used or stored in such an environment, silicon compound might generate on the contacts, cause the and faulty contacting. Therefore, please do not use sources that can emit silicon gas in the vicinity of the switch.

Do not use in areas where flammable or explosive gases from gasoline and thinner, etc., may be present.

• **Dust protection test**

Test conditions: The talcum powder used shall be able to pass through a square- meshed sieve the nominal wire diameter of 7 μm . The amount of talcum powder to be used is 2 kg per cubic metre of the test chamber volume. The duration of the test is 8 hours.

No damage observed after the test.



• **Waterproof test**

Test conditions: Immersion protected IP67 switches ... Submerge at 1 m below the water surface for 30 minutes.



• **Hydrogen sulfide exposure test**

Test conditions: Concentration: 3 ppm, Temperature: 40°C 104°F, Humidity: 75% RH



■ **Oil-proof and chemical-proof characteristics**

The rubber elastomer swells when exposed to oil and chemicals. The extent of swelling will vary widely depending on the type and amount of oil and chemicals.

Check with the actual oil or chemicals used.

In particular, be aware that solvents such as freon, chlorine, and toluene cannot be used.

■ **Washability [ABJ (BJ) and ABS (BS)]**

Do not clean the switch. Doing so can cause problems. Please contact us if cleaning is necessary.

REFERENCE

■ **Dust-protected type**

This type of construction prevents dust that is large enough to have an effect on operation from getting inside the unit. This construction is stipulated by protective classes against solid matter in the IEC standards (IEC60529).

The talcum powder used shall be able to pass through a square-meshed sieve the nominal wire diameter of 7 μm . The amount of talcum powder to be used is 2 kg per cubic metre of the test chamber volume. The duration of the test is 8 hours.

No damage observed after the test.

■ **Immersion-protected type**

This type of construction prevents any harmful effects even after the device is left underwater at a depth of 1 m for 30 minutes.

This construction is stipulated by protective classes against water in the IEC standards (IEC60529).

■ **IEC's IP Codes**

The IEC (International Electrotechnical Commission) has defined the IP characteristic code that represents the levels of protection described in IEC standard (IEC60529).

The two numbers that follow the IP code (the characteristics numbers) indicate the suitability of this protection for all environmental conditions.



• **Level of protection indicated by the 1st Characteristics number**

| 1st Characteristics number | Protection level (IEC60529/Solid matter) |
|----------------------------|---|
| 0 | No protection |
| 1 | Protected against solid matter larger than 50mm |
| 2 | Protected against solid matter larger than 12mm |
| 3 | Protected against solid matter larger than 2.5mm |
| 4 | Protected against solid matter larger than 1.0mm |
| 5 | Dust-protected type Prevents dust that is large enough to have an effect on operation from getting inside the unit |
| 6 | Dust-resistant type Prevents dust from getting inside the unit |

• **Level of protection indicated by the 2nd Characteristics number**

| JIS C0920 | 2nd Characteristics number | Protection level (IEC60529/Liquid matter) |
|---------------------------|----------------------------|---|
| | 0 | No protection |
| Droplet-protected type I | 1 | Protected against water droplets that fall perpendicular to the unit |
| Droplet-protected type II | 2 | Protected against water droplets that fall from within 15° of perpendicular to the unit |
| Rain-protected type | 3 | Protected against water droplets that fall from within 60° of perpendicular to the unit |
| Splash-protected type | 4 | Protected against water that splashes on the unit from any direction |
| Spray-protected type | 5 | Free from adverse effects even if sprayed directly with water from any direction |
| Water-resistant type | 6 | Protected against water sprayed directly on the unit from any direction |
| Immersion-protected type | 7 | Water does not get inside of the unit when submerged in water according to the specified conditions |
| Underwater type | 8 | Unit can be used underwater |

Note: Details of test conditions are the same as NECA C 0920. Please refer to them.

Technical Terminology & Cautions for Use

(Detection Switches)

TECHNICAL TERMINOLOGY

■ Detection Switches

A compact switch equipped with an enclosed micro-gap snap-action contact mechanism that makes a specified motion with a specified force to open/close a circuit, and an actuator outside the enclosure (hereinafter referred to as the switch)

■ Actuator

A part of the switch that transmits the received external force to an internal spring mechanism to move the movable contact so that the switch can be opened and closed

■ Actuator stopper

A part of the switch to limit the actuator movement in the switch operation direction

■ Rated values

Values indicating the characteristics and performance guarantee standards of the snap-action switches. The rated current and rated voltage, for instance, assume specific conditions (type of load, current, voltage, frequency, etc.).

■ Mechanical life

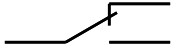
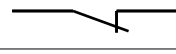

The service life when operated at a preset operating frequency without passing electricity through the contacts. (The life test is performed at a switching frequency of 60 times/minute and operating speed of 100 mm/second at the regular cam.)

■ Electrical life

The service life when the rated load is connected to the contact and switching operations are performed. (The life test is performed at a switching frequency of 20 times/minute and operating speed of 100 mm/second at the regular cam.)

■ Contact form

This refers to the components determining the type of application which make up the electrical input/output circuits in the contact.

| | |
|---------|---|
| SPDT |  |
| SPST-NC |  |
| SPST-NO |  |

■ Insulation resistance

Resistance between non-continuous terminals, each terminal and other exposed metal parts and between each terminal and ground.

■ Dielectric

Threshold limit value that a high voltage can be applied to a predetermined measuring location for one minute without causing damage to the insulation.

■ Contact resistance

This indicates the electrical resistance at the contact part. Generally, this resistance includes the conductor resistance of the spring and terminal portions.

■ Vibration resistance

Malfunction vibration ... Vibration range where a closed contact does not open for longer than a specified time due to vibrations during use of the snap-action switches.

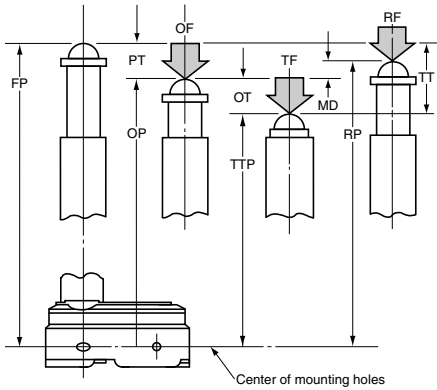
■ Shock resistance

Shock durability ... Shock range where the mechanical shocks received during snap-action switches transport and installation do not damage the parts or harm the operating characteristics. Malfunction shock ... Shock range where a closed contact does not open for longer than a specified time due to shocks during use of the snap-action switches.

OPERATING CHARACTERISTIC

■ Definition of operating characteristic

The main terminological illustrations and meanings which are used with snap-action switches are as follows.



| Classification | Terminology | Symbol | Unit | Varying display method | Starting current |
|----------------|-----------------------|--------|------------|------------------------|---|
| Force | Operating Force | OF | N | Max. | The force required to cause contact snap-action. It is expressed terms of force applied to the the actuator. |
| | Release Force | RF | N | Min. | The force to be applied to the the actuator at the moment contact snaps back from operated position to total travel position. |
| | Totaltravel Force | TF | N | | Force applied to an actuator required to move from an operating position to a total travel position |
| Movement | Pretravel | PT | mm, degree | Max. | Distance or agree of the actuator movement from free position to operating position. |
| | Overtravel | OT | mm, degree | Min. | The distance or degree which the actuator is permitted to travel after actuation without any damage to the switching mechanism. |
| | Movement Differential | MD | mm, degree | Max. | The distance or degree from operating position to release position of the actuator. |
| | Totaltravel | TT | mm, degree | | The migration length or the move angle from the free position to total travel position of actuator |
| Position | Free Position | FP | mm, degree | | Position of the actuator when no force is applied to. |
| | Operating Position | OP | mm, degree | ± | The position of the actuator when the traveling contacts snaps with the fixed contact. |
| | Release Position | RP | mm, degree | | The position of the actuator when the traveling contact snaps back from operating position to its original position. |
| | Total travel Position | TTP | mm, degree | | The stopping position of the actuator after total travel. |

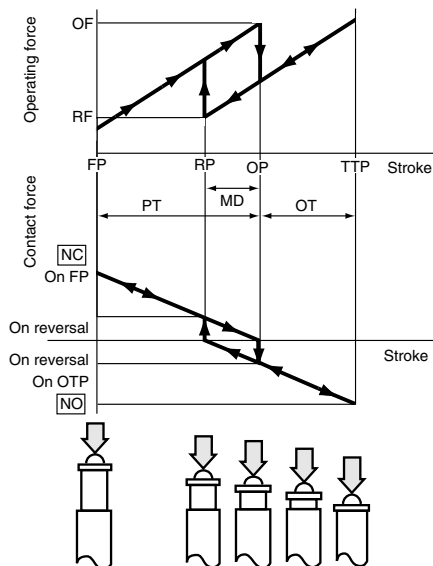
TECHNICAL NOTES ON MECHANICAL CHARACTERISTICS

■ Actuation Force and Stroke

Adequate stroke setting is the key to high reliability. It is also important that adequate contact force be maintained to ensure high reliability. For a normally closed (NC) circuit, the driving mechanism should be set so that the actuator is normally in the free position. For a normally open (NO) circuit, the actuator should be pressed to 70% to 100% of the specified stroke to absorb possible errors.

If the stroke is set too close to the operating point (OP), this may cause unstable contact, and in the worst case may cause actuator damage due to inertia of the drive mechanism. It is advisable that the stroke be adjusted with the mounting plate or driving mechanism.

The figure at right shows a typical example of activation and contact forces varying with stroke. In the vicinity of the OP and RP, the contact force is diminished, causing chatter and contact bounce immediately before or after reversal. For this reason, use the switch while giving due consideration to this. This also causes the snap action switch to be sensitive to vibration or shock.



■ Changes in Operating Characteristics

Exercise design care so that malfunctions will not occur if the operating characteristics vary by as much as 20% from, rated values.

<Example>

In the OF max. 0.98N specification for FS snap-action switches, the allowable max. is $0.98 \text{ N} \times (100\%+20\%) = 1.18 \text{ N}$

In the RF min. 0.15 N min. specification the allowable min. $0.15 \text{ N} \times (100\%-20\%) = 0.12 \text{ N}$

■ Mechanical Conditions for Type Selection

Actuator type should be selected according to activation method, activation speed, activation rate, and activation frequency.

- 1) An extremely slow activation speed may cause unstable contact transfer, possibly resulting in contact failures or contact fusion.
- 2) An extremely high activation speed may cause damage to contacts or contact response failure.

■ Driving Mechanism

Use of a driving mechanism which will cause physical impact to the actuator should be avoided.

<Example>



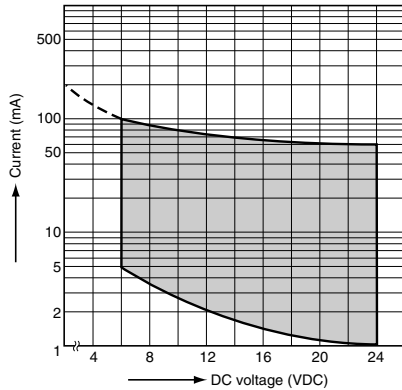
TECHNICAL NOTES ON ELECTRICAL CHARACTERISTICS

1) The snap-action switch is designed for AC operations. While it has small contact gaps and no arc absorber, it may be used for low-capacity DC operations.

Please refer to the rating of each products

2) For applications with very small switching voltage or current, choose the low-level load type (Au contact).

Small current and voltage application range (Au contact)



3) When selecting a contact type of a snap-action switch to be used for low-level load switching, the following should be noted. Silver contacts' surfaces are prone to be oxidized and form a sulfide film. The switch operates with no problems at the

beginning of use. However, as the contact surfaces develop films with time, the film may not be broken by the switching operation, causing a conduction failure. Therefore, please choose the Au contact type for switching a load of 0.1 A or below.

4) Application to Electronic Circuits

• The snap-action switch contacts can sustain bounce or chatter when closed. Bounce or chatter can cause noise or pulse count errors when the snap action switch is used in electronic circuits.

• If contact bounce or chatter poses problems in the vicinity of the OP and RP, use a suitable absorption network, such as a C/R network.

5) Check the surge current, normal current and surge duration.

6) Contact resistance given in performance specifications is measured with a voltage drop method using 6 to 8 V DC, 1 A (except for low-level load type). Contact resistance across COM and NC terminals is measured in the free position, while contact resistance across COM and NO terminals is measured in the total travel position.

7) To prevent contact welding failure, be sure to use a serial resistance for each capacitive load.

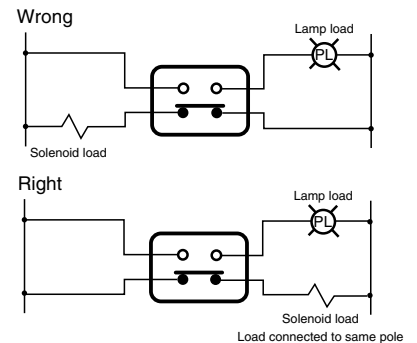
8) If snap-action switch operation is synchronized with the AC supply phase, this may cause: shortened electrical life, contact fusion failure, contact transfer, or other reliability problems.

CAUTIONS IN A CIRCUIT

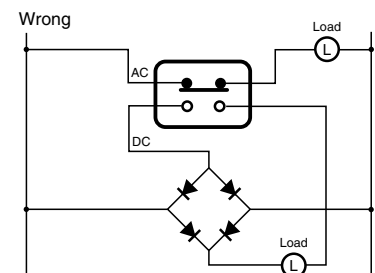
1) Contact protection is recommended when snap-action switches are used in an inductive load circuit.

| Circuit diagram | Cautions for use |
|-----------------|--|
| | (1) $r = \text{more than } 10 \Omega$ (2) In an AC circuit Impedance of R is to be slightly smaller than impedance of r and c. |
| | Can be used for both AC and DC. Impedance of r is nearly equal to impedance of R. C: 0.1 μF |
| | (1) For DC circuits only. |
| | Can be used for both AC and DC. |

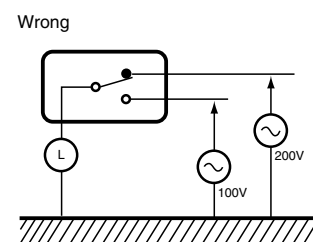
2) Do not connect the contacts on individual switches to different type or different poles of the power supply. Examples of power supply connections (connection to different poles)



Example of wrong power supply connection (connection to different poles of power supply)
This may lead to mixed DC and AC.



3) Avoid circuits which apply voltage between contacts. (This may lead to mixed deposition.)



MOUNTING STATE AND ENVIRONMENT

■ Checking the insulation distance

After mounting and wiring, check the insulation distance between terminals and the ground. If the insulation distance is inadequate, mount insulating material between as required.

■ Fastening the snap-action switch body

See the Section “CAUTIONS FOR USE” for the individual switch.

■ Position adjustment with effector

- 1) The effector should be positioned so that direct force is not applied to the plunger or actuator in its free position. The operating force to the plunger should only be applied in a perpendicular direction.
- 2) Note that the use of the switch as a stopper may cause an operational problem.

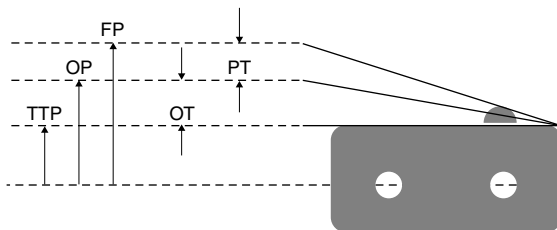
■ Switch installation position

- Basically, the switch should be installed so that the object to press the switch’s plunger or lever can press it down to 70 to 100% of OT of the switch. When determining the position, the tolerance of OP (Operating Position) and other factors should be taken into account.

The following describes the case where the strictest tolerance conditions are adopted.

- Example: Hinge lever type FS switch

Reference values: OP = 8.8 ± 0.8 mm
 PT = max. 2.8mm
 OT = min. 1.2mm



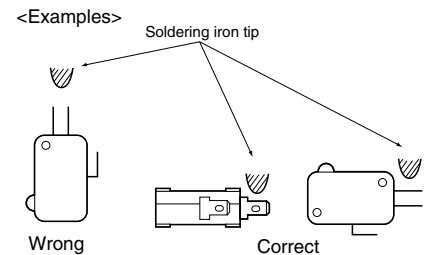
- (1) When the switch is not pressed
 The object to press the lever should not be in contact with the lever.
 For this purpose, the object should be at a distance from the switch farther than the maximum FP (Free Position) value.
 $FP \text{ max} = OP \text{ max} + PT \text{ max} = 9.6 + 2.8 = 12.4 \text{ mm max}$
 The object should be at a distance of 12.4 mm or more from the mounting hole.
- (2) Depressed position
 The plunger/lever should be pressed down to 70% or more of OT (Over Travel). Therefore, the depressed position should be calculated based on the minimum value of OP (Operating Position) and the 70 and 100% of the OT value.
 $OP \text{ min} - 70\% \text{ of OT} = 8.0 - 0.84 = 7.16 \text{ mm}$
 $OP \text{ min} - 100\% \text{ of OT} = 8.0 - 1.2 = 6.80 \text{ mm}$
 The plunger/lever should be pressed down to the position of 6.80 to 7.16 mm from the mounting hole.

■ Soldering precautions

For manual soldering, lay the terminals flat (horizontal with the ground) and quickly perform the soldering operation using a soldering iron with the appropriate heat capacity and the proper amount of solder. Take care that the flux does not flow into the switch interior by using a ventilation fan to discharge flux gas and to prevent contact of the switch body with the soldering iron tip.

Be careful not to apply force to the lead wires or the terminal portions immediately after soldering. The temperature setting and time conditions vary depending on the product.

See the section “CAUTIONS FOR USE” for each product.



■ Avoid using in a silicon atmosphere

Avoid using organic silicon rubber, adhesives, sealing compounds, oil, grease, and wires in a silicon atmosphere.

■ Please consult us when using under the following conditions*:

- 1) Environments where hydrogen sulfide or other corrosive gases are present.
- 2) Environments where gasoline, thinner or other flammable, explosive gases are present.
- 3) Dusty environments (for non-seal type snap action switches).
- 4) The perpendicular operating speed exceeds the allowable operating speed.
- 5) Switching between different poles.
- 6) Use in environments not in the prescribed temperature or humidity range.

■ Storage precautions

To prevent discoloration due to sulfurization of the terminals (silver-plated), store the switches in a polyethylene bag or other suitable airtight container.

■ Usage, storage, and transport conditions (except turquoise switches)

During usage, storage, or transportation, avoid locations subject to direct sunlight and maintain normal temperature, humidity, and pressure conditions.

The allowable specifications for environments suitable for usage, storage, and transportation are given below.

1) Temperature: The allowable temperature range differs for each switch, so refer to the switch's individual specifications. In addition, when transporting or storing switches while they are tube packaged, there are cases when the temperature may differ from the allowable range. In this situation, be sure to consult the individual specifications.

2) Humidity: The allowable temperature range differs for each switch, so refer to the switch's individual specifications.

3) Pressure: 86 to 106 kPa

The humidity range varies with the temperature. Use within the range indicated in the graph below.



(The allowable temperature depends on the switch.)

- Condensation will occur inside the switch if there is a sudden change in ambient temperature when used in an atmosphere of high temperature and high humidity. This is particularly likely to happen when being transported by ship, so please be careful of the atmosphere when shipping. Condensation is the phenomenon whereby steam condenses to cause water droplets that adhere to the switch when an atmosphere of high temperature and humidity rapidly changes from a high to low temperature or when the switch is quickly moved from a low humidity location to one of high temperature and humidity. Please be careful because condensation can cause adverse conditions such as deterioration of insulation, coil cutoff, and rust.
- Condensation or other moisture may freeze on the switch when the temperatures is lower than 0°C 32°F. This causes problems such as sticking of movable parts or operational time lags.
- The plastic becomes brittle if the switch is exposed to a low temperature, low humidity environment for long periods of time.
- Storage for extended periods of time (including transportation periods) at high temperatures or high humidity levels or in atmospheres with organic gases or sulfide gases may cause a sulfide film or oxide film to form on the surfaces of the contacts and/or it may interfere with the functions. Check out the atmosphere in which the units are to be stored and transported.
- In terms of the packing format used, make every effort to keep the effects of moisture, organic gases and sulfide gases to the absolute minimum.

■ We reserve the right to modify without notice the materials, internal components, and other parts to improve product quality.

■ Handling precautions

When handling the switches, be careful not to drop them on the floor since this may damage them.

* Select contact sulfurization (clipping) prevention products (FS and Au-clad double layer contacts) for use with extremely small loads or an environment-resistant Turquoise switch.

■ Others

1) Failure modes of switches include short-circuiting, open-circuiting and temperature rises. If this switch is to be used in equipment where safety is a prime consideration, examine the possible effects of these failures on the equipment concerned, and ensure safety by providing protection circuits or protection devices. In terms of the systems involved, make provision for redundancy in the design and take steps to achieve safety design.

2) The ambient operating temperature (and humidity) range quoted is the range in which the switch can be operated on a continuous basis: it does not mean that using the switch within the rating guarantees the durability performance and environment withstanding performance of the switch. For details on the performance guarantee, check the specifications of each product concerned.

■ Types of actuators

| Shape | Classification | Pretravel (PT) | Overtravel (OT) | Operating Force (OF) | Vibration Shock | Features |
|---|------------------------|----------------|-----------------|----------------------|-----------------|---|
|  | Pin plunger | Small | Small | Large | Out-standing | Appropriate for linear short-stroke action. Pin plunger acts directly on snap action mechanism, enabling high-precision positioning. Amount of movement after operation is smallest among all of the actuators, however, so reliable stopper is required. |
|  | Hinge lever | Large | Medium | Small | Possible | Little force required for operation. Appropriate for use with low-speed cams and dogs; has large stroke. Lever available in various shapes to fit operating unit. |
|  | Simulated roller lever | Large | Medium | Small | Possible | Tip of hinge lever is bent into a semi-circle, enabling use as a simple roller type. |
|  | Leaf lever | Large | Large | Small | Excellent | Play in lever is used to assure maximum stroke. Construction provides for space where lever is attached, for outstanding resistance to freezing. |
|  | Hinge roller lever | Large | Medium | Small | Possible | This is a hinge lever with a roller, and can be used with high-speed cams and dogs. The force required for pin plunger action is lighter than that of the lever, and the stroke is longer. |

Please contact

Panasonic Corporation

Electromechanical Control Business Division

■ 1006, Oaza Kadoma, Kadoma-shi, Osaka 571-8506, Japan
industrial.panasonic.com/ac/e/

Panasonic[®]

©Panasonic Corporation 2018

Mouser Electronics

Authorized Distributor

Click to View Pricing, Inventory, Delivery & Lifecycle Information:

Panasonic:

[ABS1110519](#) [ABS1110409](#) [ABS1110419](#) [ABS1110509](#) [ABS1111409](#) [ABS1111419](#) [ABS1111509](#) [ABS1111519](#)
[ABS1112319](#) [ABS1112409](#) [ABS1112419](#) [ABS1112509](#) [ABS1112519](#) [ABS1113409](#) [ABS1113419](#) [ABS1113509](#)
[ABS1113519](#) [ABS1114409](#) [ABS1114419](#) [ABS111444](#) [ABS1114449](#) [ABS1114509](#) [ABS1114519](#) [ABS1116409](#)
[ABS111641](#) [ABS1116419](#) [ABS1116509](#) [ABS1116519](#) [ABS1410409](#) [ABS1410419](#) [ABS141044](#) [ABS1410449](#)
[ABS1410503](#) [ABS1410509](#) [ABS1410519](#) [ABS1411409](#) [ABS1411419](#) [ABS1411509](#) [ABS1411519](#) [ABS1412409](#)
[ABS1412419](#) [ABS1412509](#) [ABS1412519](#) [ABS1413409](#) [ABS1413419](#) [ABS1413509](#) [ABS1413519](#) [ABS1414409](#)
[ABS1414419](#) [ABS1414509](#) [ABS1414519](#) [ABS1416409](#) [ABS1416419](#) [ABS1416509](#) [ABS1416519](#) [ABS1510409](#)
[ABS1510419](#) [ABS1510509](#) [ABS1510519](#) [ABS1511409](#) [ABS1511419](#) [ABS1511509](#) [ABS1511519](#) [ABS1512409](#)
[ABS1512419](#) [ABS1512509](#) [ABS1512519](#) [ABS1513409](#) [ABS1513419](#) [ABS1513503](#) [ABS1513509](#) [ABS1513519](#)
[ABS1514409](#) [ABS1514419](#) [ABS1514509](#) [ABS1514519](#) [ABS1516409](#) [ABS1516419](#) [ABS1516509](#) [ABS1516519](#)
[ABS161040](#) [ABS1610409](#) [ABS1610419](#) [ABS1610509](#) [ABS1610519](#) [ABS1611409](#) [ABS1611419](#) [ABS1611509](#)
[ABS1611519](#) [ABS1612409](#) [ABS1612419](#) [ABS161250](#) [ABS1612509](#) [ABS1612519](#) [ABS161340](#) [ABS1613409](#)
[ABS1613419](#) [ABS1613509](#) [ABS1613519](#) [ABS1614319](#)



Компания «ЭлектроПласт» предлагает заключение долгосрочных отношений при поставках импортных электронных компонентов на взаимовыгодных условиях!

Наши преимущества:

- Оперативные поставки широкого спектра электронных компонентов отечественного и импортного производства напрямую от производителей и с крупнейших мировых складов;
- Поставка более 17-ти миллионов наименований электронных компонентов;
- Поставка сложных, дефицитных, либо снятых с производства позиций;
- Оперативные сроки поставки под заказ (от 5 рабочих дней);
- Экспресс доставка в любую точку России;
- Техническая поддержка проекта, помощь в подборе аналогов, поставка прототипов;
- Система менеджмента качества сертифицирована по Международному стандарту ISO 9001;
- Лицензия ФСБ на осуществление работ с использованием сведений, составляющих государственную тайну;
- Поставка специализированных компонентов (Xilinx, Altera, Analog Devices, Intersil, Interpoint, Microsemi, Aeroflex, Peregrine, Syfer, Eurofarad, Texas Instrument, Miteq, Cobham, E2V, MA-COM, Hittite, Mini-Circuits, General Dynamics и др.);

Помимо этого, одним из направлений компании «ЭлектроПласт» является направление «Источники питания». Мы предлагаем Вам помощь Конструкторского отдела:

- Подбор оптимального решения, техническое обоснование при выборе компонента;
- Подбор аналогов;
- Консультации по применению компонента;
- Поставка образцов и прототипов;
- Техническая поддержка проекта;
- Защита от снятия компонента с производства.



Как с нами связаться

Телефон: 8 (812) 309 58 32 (многоканальный)

Факс: 8 (812) 320-02-42

Электронная почта: org@eplast1.ru

Адрес: 198099, г. Санкт-Петербург, ул. Калинина, дом 2, корпус 4, литера А.