

**Power Relay RM C/D**

- 1 pole 30/32 A, 1 form X, double make, NO or 1 form Z, double make + double break, NO + NC
- Switching capacity up to 12800VA
- DC or AC coil
- Push-to-test button
- Chassis mount

Typical applications  
Battery chargers, heating control.

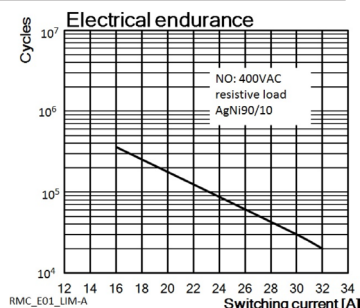
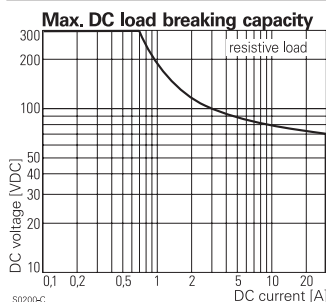


**Approvals**  
UL E214025, VDE Cert. No. 40003144 for AgNi-versions  
Technical data of approved types on request.

| Contact Data  | RMC                      | RMD               |
|---|--------------------------|-------------------|
| Contact arrangement                                   | 1 form Z,<br>1 NO + 1 NC | 1 form X,<br>1 NO |
| Rated voltage   | 400VAC                   |                   |
| Max. switching voltage                                | 440VAC                   |                   |
| Rated current   | 30A/32A (VDE)            |                   |
| Limiting making current, max. 20ms                    | 60A                      |                   |
| Switching power                                       | 12000VA                  |                   |
| Contact material                                      | AgCdO, AgNi 90/10        |                   |
| Contact style   | single bridging contact  |                   |
| Min. recommended contact load                         | 24VDC/100mA              |                   |
| Frequency of operation,<br>with/without load, DC coil | 360/6000h <sup>-1</sup>  |                   |
| Operate/release time max., DC coil                    | 20/20ms                  |                   |
| Bounce time max., form A/form B, DC coil              | 4/6ms                    |                   |

**Contact ratings**

| Type                        | Contact                       | Load                           | Cycles                |                    |
|-----------------------------|-------------------------------|--------------------------------|-----------------------|--------------------|
| <b>EN 61810</b>             |                               |                                |                       |                    |
| RMC/D                       | X of Z (NO)                   | AgNi DC coil                   | 32A, 400VAC res. 40°C | 20x10 <sup>3</sup> |
| RMC                         | Y of Z (NC), AgNi             | 32A, 400VAC res. 40°C          |                       | 10x10 <sup>3</sup> |
| RMC/D                       | X of Z (NO)                   | AgNi DC coil                   | 30A, 400VAC res. 50°C | 10x10 <sup>3</sup> |
| RMC/D                       | X of Z (NO)                   | AgNi AC coil                   | 30A, 400VAC res. 40°C | 10x10 <sup>3</sup> |
| <b>UL 508</b>               |                               |                                |                       |                    |
| RMC/D                       | X/Y (NO/NC), AgCdO,           | 30 A, 277 VAC, general purpose | 50°C                  | 10x10 <sup>3</sup> |
| RMC/D                       | X/Y (NO/NC)                   | 30 A, 415 VAC, resistive       | 50°C                  | 10x10 <sup>3</sup> |
| RMC/D                       | X (of Z / NO), AgNi           | 120 VAC, 0,75 HP               | 50°C                  | 10x10 <sup>3</sup> |
| RMC/D                       | X/Y (NO/NC)                   | 240 VAC, 2 HP                  | 50°C                  | 6x10 <sup>3</sup>  |
| <b>Mechanical endurance</b> |                               |                                |                       |                    |
| DC coil                     | 10x10 <sup>6</sup> operations |                                |                       |                    |
| AC coil                     | 10x10 <sup>6</sup> operations |                                |                       |                    |



**Coil Data**

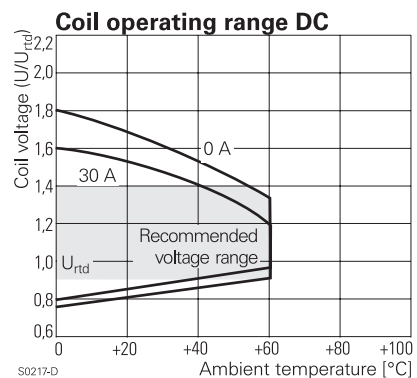
|                                     |                              |
|-------------------------------------|------------------------------|
| Coil voltage range                  | 6 to 220 VDC<br>6 to 400 VAC |
| Operative range, IEC 61810          | 2                            |
| Coil insulation system according UL | class 130 (B)                |

**Coil versions, DC coil**

| STD | LED bipolar | Coil code | LED+ PD <sup>3)</sup> | LED- PD <sup>3)</sup> | Rated voltage VDC | Coil resistance Ω±10% <sup>1)2)</sup> | Rated coil power W |
|-----|-------------|-----------|-----------------------|-----------------------|-------------------|---------------------------------------|--------------------|
| 006 | L06         | 0A6       | LA6                   |                       | 6                 | 32                                    | 1.1                |
| 012 | L12         | 0B2       | LB2                   |                       | 12                | 110                                   | 1.3                |
| 024 | L24         | 0C4       | LC4                   |                       | 24                | 475                                   | 1.2                |
| 048 | L48         | 0E8       | LE8                   |                       | 48                | 2000                                  | 1.2                |
| 060 | L60         | 0G0       | LG0                   |                       | 60                | 2850                                  | 1.3                |
| 110 | M10         | 1B0       | MB0                   |                       | 110               | 10000 <sup>1)</sup>                   | 1.2                |
| 221 | N21         | 2C1       | NC1                   |                       | 220               | 40000 <sup>2)</sup>                   | 1.2                |

Operate voltage, DC coil: 75% of rated coil voltage  
Release voltage, DC coil: 10% of rated coil voltage

1) Coil resistance ±12%, 2) Coil resistance ±15%.  
3) Protection diode PD; standard polarity: +A1 / -A2.  
All figures are given for coil without pre-energization, at ambient temperature +23°C.



**Power Relay RM C/D (Continued)**

**Coil Data (continued)**

**Coil versions, AC coil**

| Coil code | Rated voltage | Operate voltage | Release voltage | Coil resistance         | Rated coil power |
|-----------|---------------|-----------------|-----------------|-------------------------|------------------|
| STD       | LED           | 50/60Hz         | 50/60Hz         | $\Omega \pm 10\%^{12)}$ | 50/60Hz          |
|           | VAC           | VAC             | VAC             |                         | VA               |

**Coil versions, AC-coil, RMC, RMD**

|     |     |     |             |       |                     |            |
|-----|-----|-----|-------------|-------|---------------------|------------|
| 524 | R24 | 24  | 19.2/20.4   | 7.2   | 80                  | 2.62/2.00  |
| 548 | R48 | 48  | 38.4/40.8   | 14.4  | 320                 | 2.60/2.17  |
| 560 | R60 | 60  | 48.0/51.0   | 18.0  | 500                 | 2.62/2.20  |
| 615 | S15 | 115 | 92.0/97.8   | 34.5  | 1850                | 2.65/2.22  |
| 730 | T30 | 230 | 184.0/195.5 | 69.0  | 7500                | 2.69/ 2.26 |
| 900 | V00 | 400 | 320.0/340.0 | 120.0 | 23500 <sup>2)</sup> | 2.61/2.20  |

2) Coil resistance  $\pm 15\%$ .

All figures are given for coil without pre-energization, at ambient temperature +23°C.

**Insulation Data**

|                                    | RMC                    | RMD      |
|------------------------------------|------------------------|----------|
| Initial dielectric strength        |                        |          |
| between open contacts              | 1500Vrms               | 2000Vrms |
| between contact and coil           | 2500Vrms               | 2500Vrms |
| Initial surge withstand voltage    |                        |          |
| between contact and coil           | 6000V (1.2/50 $\mu$ s) |          |
| Clearance/creepage                 |                        |          |
| between contact and coil           | $\geq 4.0/14.9$ mm     |          |
| Material group of insulation parts | IIIa                   |          |

**Other Data**

Material compliance: EU RoHS/ELV, China RoHS, REACH, Halogen content refer to the Product Compliance Support Center at [www.te.com/customer-support/rohssupportcenter](http://www.te.com/customer-support/rohssupportcenter)

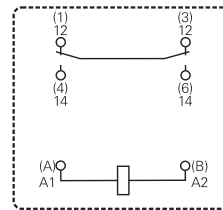
|   |                          |
|---|--------------------------|
| Ambient temperature                                       |                          |
| for mounting/handling                                     | -20 to +40°C             |
| in operation  |                          |
| DC coil   | -40 to +60°C             |
| AC coil   | -40 to +40°C             |
| Mounting distance   | > 50mm                   |
| Cold storage, IEC 60068-2-1                               | Test Aa (-40°C/16h)      |
| Dry heat, IEC 60068-2-2                                   | Test B (+85°C/16h)       |
| Damp heat cyclic, IEC 60068-2-30, Db, Variant 1           | 12/12h +25/55°C 2 cycles |
| Category of environmental protection IEC 61810            | RT1 - dust protected     |
| Vibration resistance (functional) form A (NO)/form B (NC) | 10/5 g, 30 to 150Hz      |
| Terminal type   | quick connect (QC)       |
| Cover retention   |                          |
| pull force  | 100N                     |
| push force  | 100N                     |
| Weight  | 81g                      |
| Packaging unit  | 10 pcs.                  |

**Terminal assignment**

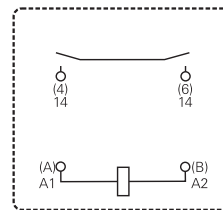
Bottom view on pins



1 form Z contact (1 NO + 1 NC), RMC



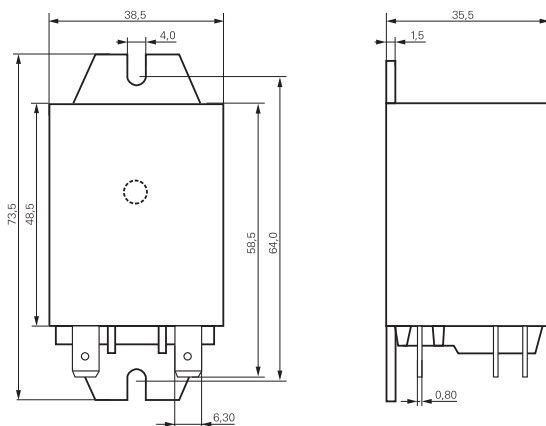
1 form X contact (1 NO), RMD



**Dimensions**

Dimensions in mm

Cover with mounting brackets, 6.3mm quick connect terminals



**Power Relay RM C/D** (Continued)

**Product code structure**

Typical product code **RM D 2 5 730**

|                            |  |  |  |  |  |  |
|----------------------------|--|--|--|--|--|--|
| <b>Type</b>                | RM Power Relay RMC/D   |  |  |  |  |  |
| <b>Contact arrangement</b> | <b>C</b> 1 form Z (1 NO + 1 NC), 30A (32A at AgNi versions with DC coil)<br><b>D</b> 1 form X (1 NO), 30A (32A at AgNi versions with DC coil)                            |  |  |  |  |  |
| <b>Version</b>             | <b>0</b> AgCdO, without test button <sup>1)</sup><br><b>2</b> AgNi90/10, without test button   |  | <b>3</b> AgCdO, with test button <sup>1)</sup><br><b>7</b> AgNi90/10, with test button |  |  |  |
| <b>Enclosure</b>           | <b>5</b> Cover with mounting brackets, 6.3mm quick connect terminals<br><b>9</b> Cover with DIN-snap-on attachment, vertical, 6.3mm quick connect terminals (on request) |  |  |  |  |  |
| <b>Coil</b>                | Coil code: please refer to coil versions table   |  |  |  |  |  |

1) AgCdO contacts are discontinued and replaced with AgNi contacts (see PCN E-18-003016)

| Product code | Contacts     | Cont. material | Version          | Enclosure         | Coil    | Coil   | Part number |
|--------------|--------------|----------------|------------------|-------------------|---------|--------|-------------|
| RMC05024     | 1 form Z,    | AgCdO          | Without          | Mounting brackets | DC coil | 24VDC  | 4-1393844-5 |
| RMC05524     | 1 NO + 1 NC  | AgCdO          | test button      | quick c. 6.3 mm   | AC coil | 24VAC  | 1393146-5   |
| RMC05615     | contact      | AgCdO          |                  |                   |         | 115VAC | 8-1393147-7 |
| RMC05730     |              | AgCdO          |                  |                   |         | 230VAC | 1393146-6   |
| RMC25024     |              | AgNi           |                  |                   | DC coil | 24VDC  | 5-1415546-6 |
| RMC25048     |              | AgNi           |                  |                   |         | 48VDC  | 5-1415546-7 |
| RMC25730     |              | AgNi           |                  |                   | AC coil | 230VAC | 5-1415544-9 |
| RMC35024     |              | AgCdO          | With test button |                   | DC coil | 24VDC  | 1393146-7   |
| RMD05024     | 1 form X,    | AgCdO          | Without          |                   |         | 24VDC  | 1393146-9   |
| RMD05524     | 1 NO contact | AgCdO          | test button      |                   | AC coil | 24VAC  | 1-1393146-1 |
| RMD05615     |              | AgCdO          |                  |                   |         | 115VAC | 1415009-1   |
| RMD05730     |              | AgCdO          |                  |                   |         | 230VAC | 4-1393844-7 |
| RMD25012     |              | AgNi           |                  |                   | DC coil | 12VDC  | 5-1415546-8 |
| RMD25024     |              | AgNi           |                  |                   |         | 24VDC  | 5-1415546-9 |
| RMD25730     |              | AgNi           |                  |                   | AC coil | 230VAC | 6-1415544-0 |
| RMD35024     |              | AgCdO          | With             |                   | DC coil | 24VDC  | 2-1419136-2 |
| RMD35730     |              | AgCdO          | test button      |                   | AC coil | 230VAC | 1393097-5   |



Компания «ЭлектроПласт» предлагает заключение долгосрочных отношений при поставках импортных электронных компонентов на взаимовыгодных условиях!

Наши преимущества:

- Оперативные поставки широкого спектра электронных компонентов отечественного и импортного производства напрямую от производителей и с крупнейших мировых складов;
- Поставка более 17-ти миллионов наименований электронных компонентов;
- Поставка сложных, дефицитных, либо снятых с производства позиций;
- Оперативные сроки поставки под заказ (от 5 рабочих дней);
- Экспресс доставка в любую точку России;
- Техническая поддержка проекта, помощь в подборе аналогов, поставка прототипов;
- Система менеджмента качества сертифицирована по Международному стандарту ISO 9001;
- Лицензия ФСБ на осуществление работ с использованием сведений, составляющих государственную тайну;
- Поставка специализированных компонентов (Xilinx, Altera, Analog Devices, Intersil, Interpoint, Microsemi, Aeroflex, Peregrine, Syfer, Eurofarad, Texas Instrument, Miteq, Cobham, E2V, MA-COM, Hittite, Mini-Circuits, General Dynamics и др.);

Помимо этого, одним из направлений компании «ЭлектроПласт» является направление «Источники питания». Мы предлагаем Вам помощь Конструкторского отдела:

- Подбор оптимального решения, техническое обоснование при выборе компонента;
- Подбор аналогов;
- Консультации по применению компонента;
- Поставка образцов и прототипов;
- Техническая поддержка проекта;
- Защита от снятия компонента с производства.



#### Как с нами связаться

**Телефон:** 8 (812) 309 58 32 (многоканальный)

**Факс:** 8 (812) 320-02-42

**Электронная почта:** [org@eplast1.ru](mailto:org@eplast1.ru)

**Адрес:** 198099, г. Санкт-Петербург, ул. Калинина, дом 2, корпус 4, литера А.