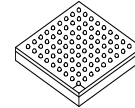




MC9328MX1



Package Information
Plastic Package
Case 1304B-01
(MAPBGA-225)

Ordering Information

See [Table 1 on page 3](#)

MC9328MX1

1 Introduction

The i.MX Family of applications processors provides a leap in performance with an ARM9™ microprocessor core and highly integrated system functions. The i.MX family specifically addresses the requirements of the personal, portable product market by providing intelligent integrated peripherals, an advanced processor core, and power management capabilities.

The MC9328MX1 (i.MX1) processor features the advanced and power-efficient ARM920T™ core that operates at speeds up to 200 MHz. Integrated modules, which include a USB device, an LCD controller, and an MMC/SD host controller, support a suite of peripherals to enhance portable products seeking to provide a rich multimedia experience. It is packaged in a 256-contact Mold Array Process-Ball Grid Array (MAPBGA).

[Figure 1](#) shows the functional block diagram of the i.MX1 processor.

Contents

| | |
|-------------------------------------------------------------------|------------------|
| 1 Introduction | 1 |
| 2 Signals and Connections | 4 |
| 3 Electrical Characteristics | 22 |
| 4 Functional Description and Application Information | 25 |
| 5 Pin-Out and Package Information | 96 |
| 6 Product Documentation | 98 |
| Contact Information | Last Page |



Freescale reserves the right to change the detail specifications as may be required to permit improvements in the design of its products.

© Freescale Semiconductor, Inc., 2004, 2005, 2006. All rights reserved.



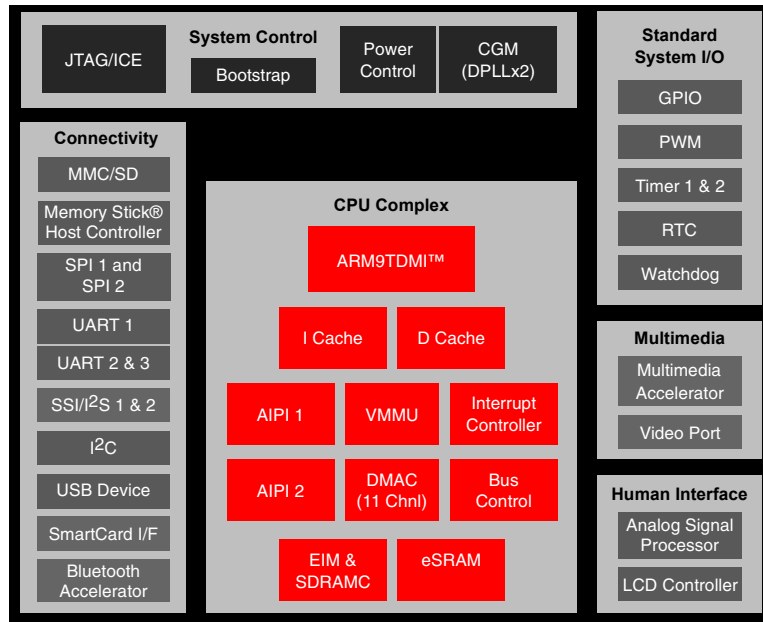


Figure 1. i.MX1 Functional Block Diagram

1.1 Features

To support a wide variety of applications, the processor offers a robust array of features, including the following:

- ARM920T™ Microprocessor Core
- AHB to IP Bus Interfaces (APIs)
- External Interface Module (EIM)
- SDRAM Controller (SDRAMC)
- DPLL Clock and Power Control Module
- Three Universal Asynchronous Receiver/Transmitters (UART 1, UART 2, and UART3)
- Two Serial Peripheral Interfaces (SPI1 and SPI2)
- Two General-Purpose 32-bit Counters/Timers
- Watchdog Timer
- Real-Time Clock/Sampling Timer (RTC)
- LCD Controller (LCDC)
- Pulse-Width Modulation (PWM) Module
- Universal Serial Bus (USB) Device
- Multimedia Card and Secure Digital (MMC/SD) Host Controller Module
- Memory Stick® Host Controller (MSHC)
- Direct Memory Access Controller (DMAC)
- Two Synchronous Serial Interfaces and an Inter-IC Sound (SSI1 and SSI2/I²S) Module
- Inter-IC (I²C) Bus Module
- Video Port

- General-Purpose I/O (GPIO) Ports
- Bootstrap Mode
- Analog Signal Processing (ASP) Module
- Bluetooth™ Accelerator (BTA)
- Multimedia Accelerator (MMA)
- Power Management Features
- Operating Voltage Range: 1.7 V to 1.9 V core, 1.7 V to 3.3 V I/O
- 256-pin MAPBGA Package

1.2 Target Applications

The i.MX1 processor is targeted for advanced information appliances, smart phones, Web browsers, based on the popular Palm OS platform, and messaging applications such as wireless cellular products, including the Accompli™ 008 GSM/GPRS interactive communicator.

1.3 Ordering Information

Table 1 provides ordering information.

Table 1. Ordering Information

| Package Type | Frequency | Temperature | Solderball Type | Order Number |
|-----------------|-----------|---------------|-----------------|--------------------|
| 256-lead MAPBGA | 200 MHz | 0°C to 70°C | Pb-free | MC9328MX1VM20(R2) |
| | | -30°C to 70°C | Pb-free | MC9328MX1DVM20(R2) |
| | 150 MHz | 0°C to 70°C | Pb-free | MC9328MX1VM15(R2) |
| | | -30°C to 70°C | Pb-free | MC9328MX1DVM15(R2) |
| | | -40°C to 85°C | Pb-free | MC9328MX1CVM15(R2) |

1.4 Conventions

This document uses the following conventions:

- OVERBAR is used to indicate a signal that is active when pulled low: for example, RESET.
- *Logic level one* is a voltage that corresponds to Boolean true (1) state.
- *Logic level zero* is a voltage that corresponds to Boolean false (0) state.
- To *set* a bit or bits means to establish logic level one.
- To *clear* a bit or bits means to establish logic level zero.
- A *signal* is an electronic construct whose state conveys or changes in state convey information.
- A *pin* is an external physical connection. The same pin can be used to connect a number of signals.
- *Asserted* means that a discrete signal is in active logic state.
 - *Active low* signals change from logic level one to logic level zero.
 - *Active high* signals change from logic level zero to logic level one.

- *Negated* means that an asserted discrete signal changes logic state.
 - *Active low* signals change from logic level zero to logic level one.
 - *Active high* signals change from logic level one to logic level zero.
- LSB means *least significant bit* or *bits*, and MSB means *most significant bit* or *bits*. References to low and high bytes or words are spelled out.
- Numbers preceded by a percent sign (%) are binary. Numbers preceded by a dollar sign (\$) or 0x are hexadecimal.

2 Signals and Connections

Table 2 identifies and describes the i.MX1 processor signals that are assigned to package pins. The signals are grouped by the internal module that they are connected to.

Table 2. i.MX1 Signal Descriptions

| Signal Name | Function/Notes |
|---------------------------------------|-------------------------------------------------------------------------------------------------------------------------------------------------------------------------------------------------------------------------------------------------------------------------------------------------------------------------|
| External Bus/Chip-Select (EIM) | |
| A[24:0] | Address bus signals |
| D[31:0] | Data bus signals |
| $\overline{EB0}$ | MSB Byte Strobe—Active low external enable byte signal that controls D [31:24]. |
| $\overline{EB1}$ | Byte Strobe—Active low external enable byte signal that controls D [23:16]. |
| $\overline{EB2}$ | Byte Strobe—Active low external enable byte signal that controls D [15:8]. |
| $\overline{EB3}$ | LSB Byte Strobe—Active low external enable byte signal that controls D [7:0]. |
| \overline{OE} | Memory Output Enable—Active low output enables external data bus. |
| \overline{CS} [5:0] | Chip-Select—The chip-select signals \overline{CS} [3:2] are multiplexed with \overline{CSD} [1:0] and are selected by the Function Multiplexing Control Register (FMCR). By default \overline{CSD} [1:0] is selected. |
| \overline{ECB} | Active low input signal sent by a flash device to the EIM whenever the flash device must terminate an on-going burst sequence and initiate a new (long first access) burst sequence. |
| \overline{LBA} | Active low signal sent by a flash device causing the external burst device to latch the starting burst address. |
| BCLK (burst clock) | Clock signal sent to external synchronous memories (such as burst flash) during burst mode. |
| \overline{RW} | \overline{RW} signal—Indicates whether external access is a read (high) or write (low) cycle. Used as a \overline{WE} input signal by external DRAM. |
| \overline{DTACK} | \overline{DTACK} signal—The external input data acknowledge signal. When using the external \overline{DTACK} signal as a data acknowledge signal, the bus time-out monitor generates a bus error when a bus cycle is not terminated by the external \overline{DTACK} signal after 1022 clock counts have elapsed. |
| Bootstrap | |
| BOOT [3:0] | System Boot Mode Select—The operational system boot mode of the i.MX1 processor upon system reset is determined by the settings of these pins. |
| SDRAM Controller | |
| SDBA [4:0] | SDRAM non-interleave mode bank address multiplexed with address signals A [15:11]. These signals are logically equivalent to core address p_addr [25:21] in SDRAM cycles. |

Table 2. i.MX1 Signal Descriptions (Continued)

| Signal Name | Function/Notes |
|--------------------------------|--------------------------------------------------------------------------------------------------------------------------------------------------------------------------------------------------------------------------------------------------------------------------------------------------------|
| SDIBA [3:0] | SDRAM interleave addressing mode bank address multiplexed with address signals A [19:16]. These signals are logically equivalent to core address p_addr [12:9] in SDRAM cycles. |
| MA [11:10] | SDRAM address signals |
| MA [9:0] | SDRAM address signals which are multiplexed with address signals A [10:1]. MA [9:0] are selected on SDRAM cycles. |
| DQM [3:0] | SDRAM data enable |
| $\overline{\text{CSD0}}$ | SDRAM Chip-select signal which is multiplexed with the $\overline{\text{CS2}}$ signal. These two signals are selectable by programming the system control register. |
| $\overline{\text{CSD1}}$ | SDRAM Chip-select signal which is multiplexed with $\overline{\text{CS3}}$ signal. These two signals are selectable by programming the system control register. By default, $\overline{\text{CSD1}}$ is selected, so it can be used as boot chip-select by properly configuring BOOT [3:0] input pins. |
| $\overline{\text{RAS}}$ | SDRAM Row Address Select signal |
| $\overline{\text{CAS}}$ | SDRAM Column Address Select signal |
| $\overline{\text{SDWE}}$ | SDRAM Write Enable signal |
| SDCKE0 | SDRAM Clock Enable 0 |
| SDCKE1 | SDRAM Clock Enable 1 |
| SDCLK | SDRAM Clock |
| $\overline{\text{RESET_SF}}$ | Not Used |
| Clocks and Resets | |
| EXTAL16M | Crystal input (4 MHz to 16 MHz), or a 16 MHz oscillator input when the internal oscillator circuit is shut down. |
| XTAL16M | Crystal output |
| EXTAL32K | 32 kHz crystal input |
| XTAL32K | 32 kHz crystal output |
| CLKO | Clock Out signal selected from internal clock signals. |
| $\overline{\text{RESET_IN}}$ | Master Reset—External active low Schmitt trigger input signal. When this signal goes active, all modules (except the reset module and the clock control module) are reset. |
| $\overline{\text{RESET_OUT}}$ | Reset Out—Internal active low output signal from the Watchdog Timer module and is asserted from the following sources: Power-on reset, External reset ($\overline{\text{RESET_IN}}$), and Watchdog time-out. |
| POR | Power On Reset—Internal active high Schmitt trigger input signal. The POR signal is normally generated by an external RC circuit designed to detect a power-up event. |
| JTAG | |
| $\overline{\text{TRST}}$ | Test Reset Pin—External active low signal used to asynchronously initialize the JTAG controller. |
| $\overline{\text{TDO}}$ | Serial Output for test instructions and data. Changes on the falling edge of TCK. |
| TDI | Serial Input for test instructions and data. Sampled on the rising edge of TCK. |
| TCK | Test Clock to synchronize test logic and control register access through the JTAG port. |
| TMS | Test Mode Select to sequence the JTAG test controller's state machine. Sampled on the rising edge of TCK. |

Table 2. i.MX1 Signal Descriptions (Continued)

| Signal Name | Function/Notes |
|------------------------------|----------------------------------------------------------------------------------------------------------------------------------------------------------------------------------------------------------------------------------------------------------------------------------------------------------------------------------------------------------------------------------------------------|
| DMA | |
| DMA_REQ | DMA Request—external DMA request signal. Multiplexed with SPI1_SPI_RDY. |
| BIG_ENDIAN | Big Endian—Input signal that determines the configuration of the external chip-select space. If it is driven logic-high at reset, the external chip-select space will be configured to big endian. If it is driven logic-low at reset, the external chip-select space will be configured to little endian. This input must not change state after power-on reset negates or during chip operation. |
| ETM | |
| ETMTRACESYNC | ETM sync signal which is multiplexed with A24. ETMTRACESYNC is selected in ETM mode. |
| ETMTRACECLK | ETM clock signal which is multiplexed with A23. ETMTRACECLK is selected in ETM mode. |
| ETMPIESTAT [2:0] | ETM status signals which are multiplexed with A [22:20]. ETMPIESTAT [2:0] are selected in ETM mode. |
| ETMTRACEPKT [7:0] | ETM packet signals which are multiplexed with \overline{ECB} , \overline{LBA} , BCLK (burst clock), PA17, A [19:16]. ETMTRACEPKT [7:0] are selected in ETM mode. |
| CMOS Sensor Interface | |
| CSI_D [7:0] | Sensor port data |
| CSI_MCLK | Sensor port master clock |
| CSI_VSYNC | Sensor port vertical sync |
| CSI_HSYNC | Sensor port horizontal sync |
| CSI_PIXCLK | Sensor port data latch clock |
| LCD Controller | |
| LD [15:0] | LCD Data Bus—All LCD signals are driven low after reset and when LCD is off. |
| FLM/VSYNC | Frame Sync or Vsync—This signal also serves as the clock signal output for the gate driver (dedicated signal SPS for Sharp panel HR-TFT). |
| LP/HSYNC | Line pulse or H sync |
| LSCLK | Shift clock |
| ACD/OE | Alternate crystal direction/output enable. |
| CONTRAST | This signal is used to control the LCD bias voltage as contrast control. |
| SPL_SPR | Program horizontal scan direction (Sharp panel dedicated signal). |
| PS | Control signal output for source driver (Sharp panel dedicated signal). |
| CLS | Start signal output for gate driver. This signal is an inverted version of PS (Sharp panel dedicated signal). |
| REV | Signal for common electrode driving signal preparation (Sharp panel dedicated signal). |
| SIM | |
| SIM_CLK | SIM Clock |
| SIM_RST | SIM Reset |
| SIM_RX | Receive Data |

Table 2. i.MX1 Signal Descriptions (Continued)

| Signal Name | Function/Notes |
|---------------------------------|-------------------------------------------------------------------------------------------------------------------------------------------------------------------------------------------------------------------------------------------------------------------------------------------------------------------|
| SIM_TX | Transmit Data |
| SIM_PD | Presence Detect Schmitt trigger input |
| SIM_SVEN | SIM Vdd Enable |
| SPI 1 and SPI 2 | |
| SPI1_MOSI | Master Out/Slave In |
| SPI1_MISO | Slave In/Master Out |
| SPI1_ \overline{SS} | Slave Select (Selectable polarity) |
| SPI1_SCLK | Serial Clock |
| SPI1_ $\overline{SPI_RDY}$ | Serial Data Ready |
| SPI2_TXD | SPI2 Master TxData Output—This signal is multiplexed with a GPIO pin yet shows up as a primary or alternative signal in the signal multiplex scheme table. Please refer to the SPI and GPIO chapters in the <i>MC9328MX1 Reference Manual</i> for information about how to bring this signal to the assigned pin. |
| SPI2_RXD | SPI2 Master RxData Input—This signal is multiplexed with a GPIO pin yet shows up as a primary or alternative signal in the signal multiplex scheme table. Please refer to the SPI and GPIO chapters in the <i>MC9328MX1 Reference Manual</i> for information about how to bring this signal to the assigned pin. |
| SPI2_ \overline{SS} | SPI2 Slave Select—This signal is multiplexed with a GPIO pin yet shows up as a primary or alternative signal in the signal multiplex scheme table. Please refer to the SPI and GPIO chapters in the <i>MC9328MX1 Reference Manual</i> for information about how to bring this signal to the assigned pin. |
| SPI2_SCLK | SPI2 Serial Clock—This signal is multiplexed with a GPIO pin yet shows up as a primary or alternative signal in the signal multiplex scheme table. Please refer to the SPI and GPIO chapters in the <i>MC9328MX1 Reference Manual</i> for information about how to bring this signal to the assigned pin. |
| General Purpose Timers | |
| TIN | Timer Input Capture or Timer Input Clock—The signal on this input is applied to both timers simultaneously. |
| TMR2OUT | Timer 2 Output |
| USB Device | |
| USBD_VMO | USB Minus Output |
| USBD_VPO | USB Plus Output |
| USBD_VM | USB Minus Input |
| USBD_VP | USB Plus Input |
| USBD_SUSPND | USB Suspend Output |
| USBD_RCV | USB Receive Data |
| $\overline{USBD_ROE}$ | USB \overline{OE} |
| USBD_AFE | USB Analog Front End Enable |
| Secure Digital Interface | |
| SD_CMD | SD Command—If the system designer does not wish to make use of the internal pull-up, via the Pull-up enable register, a 4.7K–69K external pull up resistor must be added. |

Table 2. i.MX1 Signal Descriptions (Continued)

| Signal Name | Function/Notes |
|--------------------------------------------------------------------------|--------------------------------------------------------------------------------------------------------------------------------------------------------------------|
| SD_CLK | MMC Output Clock |
| SD_DAT [3:0] | Data—If the system designer does not wish to make use of the internal pull-up, via the Pull-up enable register, a 50K–69K external pull up resistor must be added. |
| Memory Stick Interface | |
| MS_BS | Memory Stick Bus State (Output)—Serial bus control signal |
| MS_SDIO | Memory Stick Serial Data (Input/Output) |
| MS_SCLKO | Memory Stick Serial Clock (Input)—Serial protocol clock source for SCLK Divider |
| MS_SCLKI | Memory Stick External Clock (Output)—Test clock input pin for SCLK divider. This pin is only for test purposes, not for use in application mode. |
| MS_PI0 | General purpose Input0—Can be used for Memory Stick Insertion/Extraction detect |
| MS_PI1 | General purpose Input1—Can be used for Memory Stick Insertion/Extraction detect |
| UARTs – IrDA/Auto-Bauding | |
| UART1_RXD | Receive Data |
| UART1_TXD | Transmit Data |
| $\overline{\text{UART1_RTS}}$ | Request to Send |
| $\overline{\text{UART1_CTS}}$ | Clear to Send |
| UART2_RXD | Receive Data |
| UART2_TXD | Transmit Data |
| $\overline{\text{UART2_RTS}}$ | Request to Send |
| $\overline{\text{UART2_CTS}}$ | Clear to Send |
| $\overline{\text{UART2_DSR}}$ | Data Set Ready |
| $\overline{\text{UART2_RI}}$ | Ring Indicator |
| $\overline{\text{UART2_DCD}}$ | Data Carrier Detect |
| $\overline{\text{UART2_DTR}}$ | Data Terminal Ready |
| UART3_RXD | Receive Data |
| UART3_TXD | Transmit Data |
| $\overline{\text{UART3_RTS}}$ | Request to Send |
| $\overline{\text{UART3_CTS}}$ | Clear to Send |
| $\overline{\text{UART3_DSR}}$ | Data Set Ready |
| $\overline{\text{UART3_RI}}$ | Ring Indicator |
| $\overline{\text{UART3_DCD}}$ | Data Carrier Detect |
| $\overline{\text{UART3_DTR}}$ | Data Terminal Ready |
| Serial Audio Port – SSI (configurable to I²S protocol) | |
| SSI_TXDAT | Transmit Data |
| SSI_RXDAT | Receive Data |

Table 2. i.MX1 Signal Descriptions (Continued)

| Signal Name | Function/Notes |
|-----------------------|--------------------------------------------------------------------|
| SSI_TXCLK | Transmit Serial Clock |
| SSI_RXCLK | Receive Serial Clock |
| SSI_TXFS | Transmit Frame Sync |
| SSI_RXFS | Receive Frame Sync |
| SSI2_TXDAT | TxD |
| SSI2_RXDAT | RxD |
| SSI2_TXCLK | Transmit Serial Clock |
| SSI2_RXCLK | Receive Serial Clock |
| SSI2_TXFS | Transmit Frame Sync |
| SSI2_RXFS | Receive Frame Sync |
| I²C | |
| I2C_SCL | I ² C Clock |
| I2C_SDA | I ² C Data |
| PWM | |
| PWMO | PWM Output |
| ASP | |
| UIN | Positive U analog input (for low voltage, temperature measurement) |
| UIP | Negative U analog input (for low voltage, temperature measurement) |
| PX1 | Positive pen-X analog input |
| PY1 | Positive pen-Y analog input |
| PX2 | Negative pen-X analog input |
| PY2 | Negative pen-Y analog input |
| R1A | Positive resistance input (a) |
| R1B | Positive resistance input (b) |
| R2A | Negative resistance input (a) |
| R2B | Negative resistance input (b) |
| RVP | Positive reference for pen ADC |
| RVM | Negative reference for pen ADC |
| AVDD | Analog power supply |
| AGND | Analog ground |
| BlueTooth | |
| BT1 | I/O clock signal |
| BT2 | Output |
| BT3 | Input |

Table 2. i.MX1 Signal Descriptions (Continued)

| Signal Name | Function/Notes |
|-------------------------------------|-------------------------------------------------------------------------------------------------------------------------------------------------------------------------------------------------------------------------|
| BT4 | Input |
| BT5 | Output |
| BT6 | Output |
| BT7 | Output |
| BT8 | Output |
| BT9 | Output |
| BT10 | Output |
| BT11 | Output |
| BT12 | Output |
| BT13 | Output |
| BTRF VDD | Power supply from external BT RFIC |
| BTRF GND | Ground from external BT RFIC |
| Test Function | |
| TRISTATE | Forces all I/O signals to high impedance for test purposes. For normal operation, terminate this input with a 1 k ohm resistor to ground. (TRI-STATE [®] is a registered trademark of National Semiconductor.) |
| Digital Supply Pins | |
| NVDD | Digital Supply for the I/O pins |
| NVSS | Digital Ground for the I/O pins |
| Supply Pins – Analog Modules | |
| AVDD | Supply for analog blocks |
| Internal Power Supply | |
| QVDD | Power supply pins for silicon internal circuitry |
| QVSS | Ground pins for silicon internal circuitry |

2.1 I/O Pads Power Supply and Signal Multiplexing Scheme

This section describes detailed information about both the power supply for each I/O pin and its function multiplexing scheme. The user can reference information provided in [Table 6 on page 23](#) to configure the power supply scheme for each device in the system (memory and external peripherals). The function multiplexing information also shown in [Table 6](#) allows the user to select the function of each pin by configuring the appropriate GPIO registers when those pins are multiplexed to provide different functions.

Table 3. MC9328MX1 Signal Multiplexing Scheme

| I/O Supply Voltage | BGA Pin | Primary | | | Alternate | | GPIO | | | | | RESE State (At/After) | Default |
|--------------------|---------|---------|--------|---------|------------------|-----|------|---------|----------|-----|------|-----------------------|---------|
| | | Signal | Dir | Pull-up | Signal | Dir | Mux | Pull-up | Ain | Bin | Aout | | |
| NVDD1 | K8 | NVDD1 | Static | | | | | | | | | | |
| NVDD1 | B1 | A24 | O | | ETMTRACESYN C | O | PA0 | 69K | SPI2_CLK | | | L | A24 |
| NVDD1 | C2 | D31 | I/O | 69K | | | | | | | | Pull-H | |
| NVDD1 | C1 | A23 | O | | ETMTRACECLK | O | PA31 | 69K | | | | L | A23 |
| NVDD1 | D2 | D30 | I/O | 69K | | | | | | | | Pull-H | |
| NVDD1 | D1 | A22 | O | | ETMPIPESTAT2 | O | PA30 | 69K | | | | L | A22 |
| NVDD1 | D3 | D29 | I/O | 69K | | | | | | | | Pull-H | |
| NVDD1 | E2 | A21 | O | | ETMPIPESTAT1 | O | PA29 | 69K | | | | L | A21 |
| NVDD1 | E3 | D28 | I/O | 69K | | | | | | | | Pull-H | |
| NVDD1 | E1 | A20 | O | | ETMPIPESTAT0 | O | PA28 | 69K | | | | L | A20 |
| NVDD1 | F2 | D27 | I/O | 69K | | | | | | | | Pull-H | |
| NVDD1 | F4 | A19 | O | | ETMTRACEPKT3 | O | PA27 | 69K | | | | L | A19 |
| NVDD1 | E4 | D26 | I/O | 69K | | | | | | | | Pull-H | |
| | A1 | VSS | Static | | | | | | | | | | |
| NVDD1 | H5 | NVDD1 | Static | | | | | | | | | | |
| NVDD1 | F1 | A18 | O | | ETMTRACEPKT2 | O | PA26 | 69K | | | | L | A18 |
| NVDD1 | F3 | D25 | I/O | 69K | | | | | | | | Pull-H | |
| NVDD1 | G2 | A17 | O | | ETMTRACEPKT1 | O | PA25 | 69K | | | | L | A17 |
| NVDD1 | G3 | D24 | I/O | 69K | | | | | | | | Pull-H | |
| NVDD1 | F5 | A16 | O | | ETMTRACEPKT0 | O | PA24 | 69K | | | | L | A16 |
| NVDD1 | G4 | D23 | I/O | 69K | | | | | | | | Pull-H | |
| NVDD1 | G1 | A15 | O | | | | | | | | | L | |
| NVDD1 | H2 | D22 | I/O | 69K | | | | | | | | Pull-H | |
| NVDD1 | H3 | A14 | O | | | | | | | | | L | |

Table 3. MC9328MX1 Signal Multiplexing Scheme (Continued)

| I/O Supply Voltage | BGA Pin | Primary | | | Alternate | | GPIO | | | | | RESE State (At/After) | Default |
|--------------------|---------|---------|--------|---------|-----------|-----|------|---------|-----|-----|------|-----------------------|---------|
| | | Signal | Dir | Pull-up | Signal | Dir | Mux | Pull-up | Ain | Bin | Aout | | |
| NVDD1 | G5 | D21 | I/O | 69K | | | | | | | | Pull-H | |
| NVDD1 | H1 | A13 | O | | | | | | | | | L | |
| NVDD1 | H4 | D20 | I/O | 69K | | | | | | | | Pull-H | |
| | T1 | VSS | Static | | | | | | | | | | |
| QVDD1 | H9 | QVDD1 | Static | | | | | | | | | | |
| | H8 | VSS | Static | | | | | | | | | | |
| NVDD1 | J5 | NVDD1 | Static | | | | | | | | | | |
| NVDD1 | J1 | A12 | O | | | | | | | | | L | |
| NVDD1 | J4 | D19 | I/O | 69K | | | | | | | | Pull-H | |
| NVDD1 | J2 | A11 | O | | | | | | | | | L | |
| NVDD1 | J3 | D18 | I/O | 69K | | | | | | | | Pull-H | |
| NVDD1 | K1 | A10 | O | | | | | | | | | L | |
| NVDD1 | K4 | D17 | I/O | 69K | | | | | | | | Pull-H | |
| NVDD1 | K3 | A9 | O | | | | | | | | | L | |
| NVDD1 | K2 | D16 | I/O | 69K | | | | | | | | Pull-H | |
| NVDD1 | L1 | A8 | O | | | | | | | | | L | |
| NVDD1 | L4 | D15 | I/O | 69K | | | | | | | | Pull-H | |
| NVDD1 | L2 | A7 | O | | | | | | | | | L | |
| NVDD1 | L5 | D14 | I/O | 69K | | | | | | | | Pull-H | |
| | K6 | VSS | Static | | | | | | | | | | |
| NVDD1 | K5 | NVDD1 | Static | | | | | | | | | | |
| NVDD1 | M4 | A6 | O | | | | | | | | | L | |
| NVDD1 | L3 | D13 | I/O | 69K | | | | | | | | Pull-H | |
| NVDD1 | M1 | A5 | O | | | | | | | | | L | |
| NVDD1 | M2 | D12 | I/O | 69K | | | | | | | | Pull-H | |

Table 3. MC9328MX1 Signal Multiplexing Scheme (Continued)

| I/O Supply Voltage | BGA Pin | Primary | | | Alternate | | GPIO | | | | | RESE State (At/After) | Default |
|--------------------|---------|------------------|--------|---------|-------------------|-----|------|---------|-----|-----|------|-----------------------|-------------------|
| | | Signal | Dir | Pull-up | Signal | Dir | Mux | Pull-up | Ain | Bin | Aout | | |
| NVDD1 | N1 | A4 | O | | | | | | | | | L | |
| NVDD1 | M3 | D11 | I/O | 69K | | | | | | | | Pull-H | |
| NVDD1 | P3 | $\overline{EB0}$ | O | | | | | | | | | H | |
| NVDD1 | N3 | D10 | I/O | 69K | | | | | | | | Pull-H | |
| NVDD1 | P1 | A3 | O | | | | | | | | | L | |
| NVDD1 | N2 | $\overline{EB1}$ | O | | | | | | | | | H | |
| NVDD1 | P2 | D9 | I/O | 69K | | | | | | | | Pull-H | |
| NVDD1 | R1 | $\overline{EB2}$ | O | | | | | | | | | H | |
| | M6 | VSS | Static | | | | | | | | | | |
| NVDD1 | H6 | NVDD1 | Static | | | | | | | | | | |
| NVDD1 | T2 | A2 | O | | | | | | | | | L | |
| NVDD1 | R2 | $\overline{EB3}$ | O | | | | | | | | | H | |
| NVDD1 | R5 | D8 | I/O | 69K | | | | | | | | Pull-H | |
| NVDD1 | T3 | \overline{OE} | O | | | | | | | | | H | |
| NVDD1 | R3 | A1 | O | | | | | | | | | L | |
| NVDD1 | T4 | $\overline{CS5}$ | O | | | | PA23 | 69K | | | | Pull-H | PA23 |
| NVDD1 | N4 | D7 | I/O | 69K | | | | | | | | Pull-H | |
| NVDD1 | R4 | $\overline{CS4}$ | O | | | | PA22 | 69K | | | | Pull-H | PA22 |
| NVDD1 | N5 | A0 | O | | | | PA21 | 69K | | | | L | A0 |
| NVDD1 | P4 | $\overline{CS3}$ | O | | $\overline{CSD1}$ | | | | | | | H | $\overline{CSD1}$ |
| NVDD1 | P5 | D6 | I/O | 69K | | | | | | | | Pull-H | |
| NVDD1 | T5 | $\overline{CS2}$ | O | | $\overline{CSD0}$ | | | | | | | H | $\overline{CSD0}$ |
| | H7 | VSS | Static | | | | | | | | | | |
| NVDD1 | J6 | NVDD1 | Static | | | | | | | | | | |
| NVDD1 | M5 | SDCLK | O | | | | | | | | | H | |

Table 3. MC9328MX1 Signal Multiplexing Scheme (Continued)

| I/O Supply Voltage | BGA Pin | Primary | | | Alternate | | GPIO | | | | | RESE State (At/After) | Default |
|--------------------|---------|------------------|--------|---------|--------------|-----|------|---------|---------|-----|------|-----------------------|------------------|
| | | Signal | Dir | Pull-up | Signal | Dir | Mux | Pull-up | Ain | Bin | Aout | | |
| NVDD1 | T6 | $\overline{CS1}$ | O | | | | | | | | | H | |
| NVDD1 | T7 | $\overline{CS0}$ | O | | | | | | | | | H ¹ | |
| NVDD1 | R6 | D5 | I/O | 69K | | | | | | | | Pull-H | |
| NVDD1 | P6 | \overline{ECB} | I | | ETMTRACEPKT7 | | PA20 | 69K | | | | Pull-H | \overline{ECB} |
| NVDD1 | N6 | D4 | I/O | 69K | | | | | | | | Pull-H | |
| NVDD1 | R7 | \overline{LBA} | O | | ETMTRACEPKT6 | | PA19 | 69K | | | | H | \overline{LBA} |
| NVDD1 | P8 | D3 | I/O | 69K | | | | | | | | Pull-H | |
| NVDD1 | R8 | BCLK | | | ETMTRACEPKT5 | | PA18 | 69K | | | | L | BCLK |
| NVDD1 | P7 | D2 | I/O | 69K | | | | | | | | Pull-H | |
| | J7 | VSS | Static | | | | | | | | | | |
| NVDD1 | L6 | NVDD1 | Static | | | | | | | | | | |
| NVDD1 | N7 | DTACK | I | | ETMTRACEPKT4 | | PA17 | 69K | SPI2_SS | A25 | | Pull-H | PA17 |
| NVDD1 | N8 | D1 | I/O | 69K | | | | | | | | Pull-H | |
| NVDD1 | M7 | \overline{RW} | | | | | | | | | | H | |
| NVDD1 | T8 | MA11 | O | | | | | | | | | L | |
| NVDD1 | M8 | MA10 | O | | | | | | | | | L | |
| NVDD1 | R9 | D0 | I/O | 69K | | | | | | | | Pull-H | |
| | K7 | VSS | Static | | | | | | | | | | |
| NVDD1 | P9 | DQM3 | O | | | | | | | | | L | |
| NVDD1 | T9 | DQM2 | O | | | | | | | | | L | |
| NVDD1 | N9 | DQM1 | O | | | | | | | | | L | |
| NVDD1 | R10 | DQM0 | O | | | | | | | | | L | |
| NVDD1 | M9 | \overline{RAS} | O | | | | | | | | | H | |
| NVDD1 | L8 | \overline{CAS} | O | | | | | | | | | H | |
| NVDD1 | J8 | NVDD1 | Static | | | | | | | | | | |

Table 3. MC9328MX1 Signal Multiplexing Scheme (Continued)

| I/O Supply Voltage | BGA Pin | Primary | | | Alternate | | GPIO | | | | | RESE State (At/After) | Default |
|--------------------|---------|------------|--------|---------|-----------|-----|------|---------|-----|-----|------|-----------------------|---------|
| | | Signal | Dir | Pull-up | Signal | Dir | Mux | Pull-up | Ain | Bin | Aout | | |
| NVDD1 | T10 | SDWE | O | | | | | | | | | H | |
| NVDD1 | R11 | SDCKE0 | O | | | | | | | | | H | |
| NVDD1 | P10 | SDCKE1 | O | | | | | | | | | H | |
| NVDD1 | N10 | RESET_SF | O | | | | | | | | | L/H | |
| NVDD1 | T11 | CLKO | O | | | | | | | | | L | |
| | L7 | VSS | Static | | | | | | | | | | |
| AVDD1 | T12 | AVDD1 | Static | | | | | | | | | | |
| AVDD1 | M10 | RESET_IN | I | 69K | | | | | | | | L/H ² | |
| AVDD1 | N11 | RESET_OUT | O | | | | | | | | | L/H | |
| AVDD1 | R12 | POR | I | | | | | | | | | H/L ² | |
| AVDD1 | M11 | BIG_ENDIAN | I | | | | | | | | | Hiz ³ | |
| AVDD1 | P11 | BOOT3 | I | | | | | | | | | Hiz ⁴ | |
| AVDD1 | N12 | BOOT2 | I | | | | | | | | | Hiz ⁴ | |
| AVDD1 | R13 | BOOT1 | I | | | | | | | | | Hiz ⁴ | |
| AVDD1 | P12 | BOOT0 | I | | | | | | | | | Hiz ⁴ | |
| AVDD1 | T13 | TRISTATE | I | | | | | | | | | Hiz ⁴ | |
| AVDD1 | P13 | TRST | I | 69K | | | | | | | | H | |
| QVDD2 | R15 | QVDD2 | Static | | | | | | | | | | |
| | T16 | VSS | Static | | | | | | | | | | |
| AVDD1 | T14 | EXTAL16M | I | | | | | | | | | Hiz | |
| AVDD1 | T15 | XTAL16M | O | | | | | | | | | | |
| AVDD1 | R16 | EXTAL32K | I | | | | | | | | | Hiz | |
| AVDD1 | P16 | XTAL32K | O | | | | | | | | | | |
| NVDD2 | K10 | NVDD2 | Static | | | | | | | | | | |

Table 3. MC9328MX1 Signal Multiplexing Scheme (Continued)

| I/O Supply Voltage | BGA Pin | Primary | | | Alternate | | GPIO | | | | | RESE State (At/After) | Default | |
|--------------------|---------|-------------------------|--------|---------|-----------|-----|------|---------|----------|-----|------|-----------------------|------------------|------|
| | | Signal | Dir | Pull-up | Signal | Dir | Mux | Pull-up | Ain | Bin | Aout | | | |
| NVDD2 | R14 | $\overline{\text{TDO}}$ | O | | | | | | | | | | Hiz ⁵ | |
| NVDD2 | N15 | TMS | I | 69K | | | | | | | | | Pull-H | |
| NVDD2 | L9 | TCK | I | 69K | | | | | | | | | Pull-H | |
| NVDD2 | N16 | TDI | I | 69K | | | | | | | | | Pull-H | |
| NVDD2 | P14 | I2C_SCL | O | | | | PA16 | 69K | | | | | Pull-H | PA16 |
| NVDD2 | P15 | I2C_SDA | I/O | | | | PA15 | 69K | | | | | Pull-H | PA15 |
| NVDD2 | N13 | CSI_PIXCLK | I | | | | PA14 | 69K | | | | | Pull-H | PA14 |
| NVDD2 | M13 | CSI_HSYNC | I | | | | PA13 | 69K | | | | | Pull-H | PA13 |
| NVDD2 | M14 | CSI_VSYNC | I | | | | PA12 | 69K | | | | | Pull-H | PA12 |
| NVDD2 | N14 | CSI_D7 | I | | | | PA11 | 69K | | | | | Pull-H | PA11 |
| NVDD2 | M15 | CSI_D6 | I | | | | PA10 | 69K | | | | | Pull-H | PA10 |
| NVDD2 | M16 | CSI_D5 | I | | | | PA9 | 69K | | | | | Pull-H | PA9 |
| NVDD2 | J10 | VSS | Static | | | | | | | | | | | |
| NVDD2 | M12 | CSI_D4 | I | | | | PA8 | 69K | | | | | Pull-H | PA8 |
| NVDD2 | L16 | CSI_D3 | I | | | | PA7 | 69K | | | | | Pull-H | PA7 |
| NVDD2 | L15 | CSI_D2 | I | | | | PA6 | 69K | | | | | Pull-H | PA6 |
| NVDD2 | L14 | CSI_D1 | I | | | | PA5 | 69K | | | | | Pull-H | PA5 |
| NVDD2 | L13 | CSI_D0 | I | | | | PA4 | 69K | | | | | Pull-H | PA4 |
| NVDD2 | L12 | CSI_MCLK | O | | | | PA3 | 69K | | | | | Pull-H | PA3 |
| NVDD2 | L11 | PWMO | O | | | | PA2 | 69K | | | | | Pull-H | PA2 |
| NVDD2 | L10 | TIN | I | | | | PA1 | 69K | | | | SPI2_RxD | Pull-H | PA1 |
| NVDD2 | K15 | TMR2OUT | O | | | | PD31 | 69K | SPI2_TxD | | | | Pull-H | PD31 |
| NVDD2 | K16 | LD15 | O | | | | PD30 | 69K | | | | | Pull-H | PD30 |
| NVDD2 | K14 | LD14 | O | | | | PD29 | 69K | | | | | Pull-H | PD29 |
| NVDD2 | K13 | LD13 | O | | | | PD28 | 69K | | | | | Pull-H | PD28 |

Table 3. MC9328MX1 Signal Multiplexing Scheme (Continued)

| I/O Supply Voltage | BGA Pin | Primary | | | Alternate | | GPIO | | | | | RESE State (At/After) | Default |
|--------------------|---------|----------|--------|---------|-----------|--------------------------------|------|---------|-----|----------|----------|-----------------------|---------|
| | | Signal | Dir | Pull-up | Signal | Dir | Mux | Pull-up | Ain | Bin | Aout | | |
| NVDD2 | K12 | LD12 | O | | | | PD27 | 69K | | | | Pull-H | PD27 |
| QVDD3 | J15 | QVDD3 | Static | | | | | | | | | | |
| | J16 | VSS | Static | | | | | | | | | | |
| NVDD2 | K9 | NVDD2 | Static | | | | | | | | | | |
| NVDD2 | J14 | LD11 | O | | | | PD26 | 69K | | | | Pull-H | PD26 |
| NVDD2 | K11 | LD10 | O | | | | PD25 | 69K | | | | Pull-H | PD25 |
| NVDD2 | H15 | LD9 | O | | | | PD24 | 69K | | | | Pull-H | PD24 |
| NVDD2 | J13 | LD8 | O | | | | PD23 | 69K | | | | Pull-H | PD23 |
| NVDD2 | J12 | LD7 | O | | | | PD22 | 69K | | | | Pull-H | PD22 |
| NVDD2 | J11 | LD6 | O | | | | PD21 | 69K | | | | Pull-H | PD21 |
| NVDD2 | H14 | LD5 | O | | | | PD20 | 69K | | | | Pull-H | PD20 |
| NVDD2 | H13 | LD4 | O | | | | PD19 | 69K | | | | Pull-H | PD19 |
| NVDD2 | H16 | LD3 | O | | | | PD18 | 69K | | | | Pull-H | PD18 |
| NVDD2 | H12 | LD2 | O | | | | PD17 | 69K | | | | Pull-H | PD17 |
| NVDD2 | G16 | LD1 | O | | | | PD16 | 69K | | | | Pull-H | PD16 |
| NVDD2 | H11 | LD0 | O | | | | PD15 | 69K | | | | Pull-H | PD15 |
| NVDD2 | G15 | FLM/VSYN | O | | | | PD14 | 69K | | | | Pull-H | PD14 |
| NVDD2 | G14 | LP/HSYN | O | | | | PD13 | 69K | | | | Pull-H | PD13 |
| NVDD2 | G13 | ACD/OE | O | | | | PD12 | 69K | | | | Pull-H | PD12 |
| NVDD2 | G12 | CONTRAST | O | | | | PD11 | 69K | | SPI2_SS2 | | Pull-H | PD11 |
| NVDD2 | F16 | SPL_SPR | O | | | $\overline{\text{UART2_DSR}}$ | O | PD10 | 69K | SPI2_TxD | | Pull-H | PD10 |
| NVDD2 | H10 | PS | O | | | $\overline{\text{UART2_RI}}$ | O | PD9 | 69K | | SPI2_RxD | Pull-H | PD9 |
| NVDD2 | G11 | CLS | O | | | $\overline{\text{UART2_DCD}}$ | O | PD8 | 69K | SPI2_SS | | Pull-H | PD8 |
| NVDD2 | F12 | REV | O | | | $\overline{\text{UART2_DTR}}$ | I | PD7 | 69K | SPI2_CLK | | Pull-H | PD7 |
| NVDD2 | F15 | LSCLK | O | | | | | PD6 | 69K | | | Pull-H | PD6 |

Table 3. MC9328MX1 Signal Multiplexing Scheme (Continued)

| I/O Supply Voltage | BGA Pin | Primary | | | Alternate | | GPIO | | | | | RESE State (At/After) | Default |
|--------------------|---------|---------|--------|---------|-----------|-----|------|---------|-----|-----|------|-----------------------|---------|
| | | Signal | Dir | Pull-up | Signal | Dir | Mux | Pull-up | Ain | Bin | Aout | | |
| | J9 | VSS | Static | | | | | | | | | | |
| QVDD ⁶ | E16 | R2A | I | | | | | | | | | qvdd | |
| QVDD ⁶ | D16 | R2B | I | | | | | | | | | | |
| QVDD ⁶ | F14 | PX1 | I | | | | | | | | | | |
| QVDD ⁶ | F13 | PY1 | I | | | | | | | | | | |
| QVDD ⁶ | E15 | PX2 | I | | | | | | | | | | |
| QVDD ⁶ | E14 | PY2 | I | | | | | | | | | | |
| QVDD ⁶ | D15 | R1A | I | | | | | | | | | | |
| QVDD ⁶ | C16 | R1B | I | | | | | | | | | | |
| | C15 | VSS | Static | | | | | | | | | | |
| AVDD2 ⁶ | C14 | AVDD2 | Static | | | | | | | | | | |
| QVDD ⁶ | B16 | NC | I | | | | | | | | | | |
| QVDD ⁶ | A16 | NC | I | | | | | | | | | | |
| QVDD ⁶ | B15 | UIN | I | | | | | | | | | | |
| QVDD ⁶ | A15 | UIP | I | | | | | | | | | | |
| QVDD ⁶ | E13 | NC | I | | | | | | | | | | |
| QVDD ⁶ | D14 | NC | I | | | | | | | | | | |
| QVDD ⁶ | B14 | RVM | I | | | | | | | | | | |
| QVDD ⁶ | A14 | RVP | I | | | | | | | | | | |
| QVDD ⁶ | D13 | NC | I | | | | | | | | | | |
| QVDD ⁶ | C13 | NC | I | | | | | | | | | | |
| QVDD ⁶ | E12 | NC | O | | | | | | | | | | |

Table 3. MC9328MX1 Signal Multiplexing Scheme (Continued)

| I/O Supply Voltage | BGA Pin | Primary | | | Alternate | | GPIO | | | | | RESE State (At/After) | Default |
|--------------------|---------|--------------|--------|---------|-----------|------------|------|---------|-----|-----------|-----------|-----------------------|---------|
| | | Signal | Dir | Pull-up | Signal | Dir | Mux | Pull-up | Ain | Bin | Aout | | |
| QVDD ⁶ | D12 | NC | O | | | | | | | | | | |
| QVDD4 | A13 | QVDD4 | Static | | | | | | | | | | |
| | B13 | VSS | Static | | | | | | | | | | |
| BTRFVDD | C12 | BTRFVDD | Static | | | | | | | | | | |
| BTRFVDD | B12 | BT1 | I | | | | PC31 | 69K | | | UART3_RX | Pull-H | PC31 |
| BTRFVDD | F11 | BT2 | O | | | | PC30 | 69K | | UART3_TX | | Hiz | PC30 |
| BTRFVDD | A12 | BT3 | I | | | | PC29 | 69K | | | UART3_RTS | Pull-H | PC29 |
| BTRFVDD | E11 | BT4 | I | | | | PC28 | 69K | | UART3_CTS | | Pull-H | PC28 |
| BTRFVDD | A11 | BT5 | I/O | | | | PC27 | 69K | | UART3_DCD | | Pull-H | PC27 |
| BTRFVDD | D11 | BT6 | O | | | | PC26 | 69K | | SPI2_SS3 | UART3_DTR | L | PC26 |
| BTRFVDD | B11 | BT7 | O | | | | PC25 | 69K | | UART3_DSR | | L | PC25 |
| BTRFVDD | C11 | BT8 | O | | | SSI2_RXFS | PC24 | 69K | | UART3_RI | | Hiz | PC24 |
| BTRFVDD | G10 | BT9 | O | | | SSI2_RX | PC23 | 69K | | | | L | PC23 |
| BTRFVDD | F10 | BT10 | O | | | SSI2_TX | PC22 | 69K | | | | H | PC22 |
| BTRFVDD | B10 | BT11 | O | | | SSI2_TXCLK | PC21 | 69K | | | | H | PC21 |
| BTRFVDD | E10 | BT12 | O | | | SSI2_TXFS | PC20 | 69K | | | | Hiz | PC20 |
| BTRFVDD | D10 | BT13 | O | | | SSI2_RXCLK | PC19 | 69K | | | | L | PC19 |
| | C10 | BTRFGND | Static | | | | | | | | | | |
| NVDD3 | A10 | NVDD3 | Static | | | | | | | | | | |
| NVDD3 | G9 | SPI1_MOSI | I/O | | | | PC17 | 69K | | | | Pull-H | PC17 |
| NVDD3 | F9 | SPI1_MISO | I/O | | | | PC16 | 69K | | | | Pull-H | PC16 |
| NVDD3 | E9 | SPI1_SS | I/O | | | | PC15 | 69K | | | | Pull-H | PC15 |
| NVDD3 | B9 | SPI1_SCLK | I/O | | | | PC14 | 69K | | | | Pull-H | PC14 |
| NVDD3 | D9 | SPI1_SPI_RDY | I | | | | PC13 | 69K | | | DMA_Req | Pull-H | PC13 |
| NVDD3 | A9 | UART1_RXD | I | | | | PC12 | 69K | | | | Pull-H | PC12 |

Table 3. MC9328MX1 Signal Multiplexing Scheme (Continued)

| I/O Supply Voltage | BGA Pin | Primary | | | Alternate | | GPIO | | | | | RESE State (At/After) | Default |
|--------------------|---------|--------------|--------|---------|-----------|-----|------|---------|-----|-----|------|-----------------------|---------|
| | | Signal | Dir | Pull-up | Signal | Dir | Mux | Pull-up | Ain | Bin | Aout | | |
| NVDD3 | C9 | UART1_TXD | O | | | | PC11 | 69K | | | | Pull-H | PC11 |
| NVDD3 | A8 | UART1_RTS | I | | | | PC10 | 69K | | | | Pull-H | PC10 |
| NVDD3 | G8 | UART1_CTS | O | | | | PC9 | 69K | | | | Pull-H | PC9 |
| NVDD3 | B8 | SSI_TXCLK | I/O | | | | PC8 | 69K | | | | Pull-H | PC8 |
| NVDD3 | F8 | SSI_TXFS | I/O | | | | PC7 | 69K | | | | Pull-H | PC7 |
| NVDD3 | E8 | SSI_TXDAT | O | | | | PC6 | 69K | | | | Pull-H | PC6 |
| NVDD3 | D8 | SSI_RXDAT | I | | | | PC5 | 69K | | | | Pull-H | PC5 |
| NVDD3 | B7 | SSI_RXCLK | I/O | | | | PC4 | 69K | | | | Pull-H | PC4 |
| NVDD3 | C8 | SSI_RXFS | I/O | | | | PC3 | 69K | | | | Pull-H | PC3 |
| | A7 | VSS | Static | | | | | | | | | | |
| NVDD4 | C7 | UART2_RXD | I | | | | PB31 | 69K | | | | Pull-H | PB31 |
| NVDD4 | F7 | UART2_TXD | O | | | | PB30 | 69K | | | | Pull-H | PB30 |
| NVDD4 | E7 | UART2_RTS | I | | | | PB29 | 69K | | | | Pull-H | PB29 |
| NVDD4 | C6 | UART2_CTS | O | | | | PB28 | 69K | | | | Pull-H | PB28 |
| NVDD4 | D7 | USBDM_VMO | O | | | | PB27 | 69K | | | | Pull-H | PB27 |
| NVDD4 | D6 | USBDM_VPO | O | | | | PB26 | 69K | | | | Pull-H | PB26 |
| NVDD4 | E6 | USBDM_VM | I | | | | PB25 | 69K | | | | Pull-H | PB25 |
| NVDD4 | B6 | USBDM_VP | I | | | | PB24 | 69K | | | | Pull-H | PB24 |
| NVDD4 | D5 | USBDM_SUSPND | O | | | | PB23 | 69K | | | | Pull-H | PB23 |
| NVDD4 | C5 | USBDM_RCV | I/O | | | | PB22 | 69K | | | | Pull-H | PB22 |
| NVDD4 | B5 | USBDM_ROE | O | | | | PB21 | 69K | | | | Pull-H | PB21 |
| NVDD4 | A5 | USBDM_AFE | O | | | | PB20 | 69K | | | | Pull-H | PB20 |
| | A4 | VSS | Static | | | | | | | | | | |
| NVDD4 | A6 | NVDD4 | Static | | | | | | | | | | |
| NVDD4 | G7 | SIM_CLK | O | | SSI_TXCLK | I/O | PB19 | 69K | | | | Pull-H | PB19 |

Table 3. MC9328MX1 Signal Multiplexing Scheme (Continued)

| I/O Supply Voltage | BGA Pin | Primary | | | Alternate | | GPIO | | | | | RESE State (At/After) | Default |
|--------------------|---------|----------|-----|---------|-----------|-----|------|--------------------|-----|-----|------|-----------------------|---------|
| | | Signal | Dir | Pull-up | Signal | Dir | Mux | Pull-up | Ain | Bin | Aout | | |
| NVDD4 | F6 | SIM_RST | O | | SSI_TXFS | I/O | PB18 | 69K | | | | Pull-H | PB18 |
| NVDD4 | G6 | SIM_RX | I | | SSI_TXDAT | O | PB17 | 69K | | | | Pull-H | PB17 |
| NVDD4 | B4 | SIM_TX | I/O | | SSI_RXDAT | I | PB16 | 69K | | | | Pull-H | PB16 |
| NVDD4 | C4 | SIM_PD | I | | SSI_RXCLK | I/O | PB15 | 69K | | | | Pull-H | PB15 |
| NVDD4 | D4 | SIM_SVEN | O | | SSI_RXFS | I/O | PB14 | 69K | | | | Pull-H | PB14 |
| NVDD4 | B3 | SD_CMD | I/O | | MS_BS | O | PB13 | 69K | | | | Pull-H | PB13 |
| NVDD4 | A3 | SD_CLK | O | | MS_SCLKO | O | PB12 | 69K | | | | Pull-H | PB12 |
| NVDD4 | A2 | SD_DAT3 | I/O | | MS_SDIO | I/O | PB11 | 69K (pull down) | | | | Pull-L | PB11 |
| NVDD4 | E5 | SD_DAT2 | I/O | | MS_SCLKI | I | PB10 | 69K | | | | Pull-H | PB10 |
| NVDD4 | B2 | SD_DAT1 | I/O | | MS_PI1 | I | PB9 | 69K | | | | Pull-H | PB9 |
| NVDD4 | C3 | SD_DAT0 | I/O | | MS_PI0 | I | PB8 | 69K | | | | Pull-H | PB8 |

¹ After reset, $\overline{CS0}$ goes H/L depends on BOOT[3:0].

² Need external circuitry to drive the signal.

³ Need external pull-up.

⁴ External resistor is needed.

⁵ Need external pull-up or pull-down.

⁶ ASP signals are clamped by AVDD2 to prevent ESD (electrostatic discharge) damage. AVDD2 must be greater than QVDD to keep diodes reverse-biased.

3 Electrical Characteristics

This section contains the electrical specifications and timing diagrams for the i.MX1 processor.

3.1 Maximum Ratings

Table 4 provides information on maximum ratings which are those values beyond which damage to the device may occur. Functional operation should be restricted to the limits listed in Recommended Operating Range Table 5 on page 23 or the DC Characteristics table.

Table 4. Maximum Ratings

| Symbol | Rating | Minimum | Maximum | Unit |
|---------------------|---------------------------------------------|------------------|-------------------|------|
| NV _{DD} | DC I/O Supply Voltage | -0.3 | 3.3 | V |
| QV _{DD} | DC Internal (core = 150 MHz) Supply Voltage | -0.3 | 1.9 | V |
| QV _{DD} | DC Internal (core = 200 MHz) Supply Voltage | -0.3 | 2.0 | V |
| AV _{DD} | DC Analog Supply Voltage | -0.3 | 3.3 | V |
| BTRFV _{DD} | DC Bluetooth Supply Voltage | -0.3 | 3.3 | V |
| VESD_HBM | ESD immunity with HBM (human body model) | – | 2000 | V |
| VESD_MM | ESD immunity with MM (machine model) | – | 100 | V |
| ILatchup | Latch-up immunity | – | 200 | mA |
| Test | Storage temperature | -55 | 150 | °C |
| Pmax | Power Consumption | 800 ¹ | 1300 ² | mW |

¹ A typical application with 30 pads simultaneously switching assumes the GPIO toggling and instruction fetches from the ARM® core—that is, 7x GPIO, 15x Data bus, and 8x Address bus.

² A worst-case application with 70 pads simultaneously switching assumes the GPIO toggling and instruction fetches from the ARM core—that is, 32x GPIO, 30x Data bus, 8x Address bus. These calculations are based on the core running its heaviest OS application at MHz, and where the whole image is running out of SDRAM. QVDD at V, NVDD and AVDD at 3.3V, therefore, 180mA is the worst measurement recorded in the factory environment, max 5mA is consumed for OSC pads, with each toggle GPIO consuming 4mA.

3.2 Recommended Operating Range

Table 5 provides the recommended operating ranges for the supply voltages and temperatures. The i.MX1 processor has multiple pairs of VDD and VSS power supply and return pins. QVDD and QVSS pins are used for internal logic. All other VDD and VSS pins are for the I/O pads voltage supply, and each pair of VDD and VSS provides power to the enclosed I/O pads. This design allows different peripheral supply voltage levels in a system.

Because AVDD pins are supply voltages to the analog pads, it is recommended to isolate and noise-filter the AVDD pins from other VDD pins.

BTRFVDD is the supply voltage for the Bluetooth interface signals. It is quite sensitive to the data transmit/receive accuracy. Please refer to Bluetooth RF spec for special handling. If Bluetooth is not used

in the system, these Bluetooth pins can be used as general purpose I/O pins and BTRFVDD can be used as other NVDD pins.

For more information about I/O pads grouping per VDD, please refer to [Table 2 on page 4](#).

Table 5. Recommended Operating Range

| Symbol | Rating | Minimum | Maximum | Unit |
|----------------|------------------------------------------------------------------------------------------------|---------|---------|------|
| T _A | Operating temperature range MC9328MX1VM20\MC9328MX1VM15 | 0 | 70 | °C |
| T _A | Operating temperature range MC9328MX1DVM20\MC9328MX1DVM15 | -30 | 70 | °C |
| T _A | Operating temperature range MC9328MX1CVM15 | -40 | 85 | °C |
| NVDD | I/O supply voltage (if using MSHC, CSI, SPI, BTA, LCD, and USBd which are only 3 V interfaces) | 2.70 | 3.30 | V |
| NVDD | I/O supply voltage (if not using the peripherals listed above) | 1.70 | 3.30 | V |
| QVDD | Internal supply voltage (Core = 150 MHz) | 1.70 | 1.90 | V |
| QVDD | Internal supply voltage (Core = 200 MHz) | 1.80 | 2.00 | V |
| AVDD | Analog supply voltage | 1.70 | 3.30 | V |

3.3 Power Sequence Requirements

For required power-up and power-down sequencing, please refer to the “Power-Up Sequence” section of application note AN2537 on the i.MX applications processor website.

3.4 DC Electrical Characteristics

[Table 6](#) contains both maximum and minimum DC characteristics of the i.MX1 processor.

Table 6. Maximum and Minimum DC Characteristics

| Number or Symbol | Parameter | Min | Typical | Max | Unit |
|-------------------|-----------------------------------------------------------------------------------------------------------------------------------------------------------------------------------------------------------------------------------------------------------------------------------------------|-----|---------------------------------------------------|-----|------|
| I _{op} | Full running operating current at 1.8V for QVDD, 3.3V for NVDD/AVDD (Core = 96 MHz, System = 96 MHz, MPEG4 decoding playback from external memory card to both external SSI audio decoder and driving TFT display panel, and OS with MMU enabled memory system is running on external SDRAM). | – | QVDD at 1.8V = 120mA; NVDD+AVDD at 3.0V = 30mA | – | mA |
| Sidd ₁ | Standby current (Core = 150 MHz, QVDD = 1.8V, temp = 25°C) | – | 25 | – | μA |
| Sidd ₂ | Standby current (Core = 150 MHz, QVDD = 1.8V, temp = 55°C) | – | 45 | – | μA |
| Sidd ₃ | Standby current (Core = 150 MHz, QVDD = 2.0V, temp = 25°C) | – | 35 | – | μA |

Table 6. Maximum and Minimum DC Characteristics (Continued)

| Number or Symbol | Parameter | Min | Typical | Max | Unit |
|-------------------|---------------------------------------------------------------------------------------------|--------------------|---------|----------------------|------|
| Sidd ₄ | Standby current (Core = 150 MHz, QVDD = 2.0V, temp = 55°C) | – | 60 | – | μA |
| V _{IH} | Input high voltage | 0.7V _{DD} | – | V _{dd} +0.2 | V |
| V _{IL} | Input low voltage | – | – | 0.4 | V |
| V _{OH} | Output high voltage (I _{OH} = 2.0 mA) | 0.7V _{DD} | – | V _{dd} | V |
| V _{OL} | Output low voltage (I _{OL} = -2.5 mA) | – | – | 0.4 | V |
| I _{IL} | Input low leakage current (V _{IN} = GND, no pull-up or pull-down) | – | – | ±1 | μA |
| I _{IH} | Input high leakage current (V _{IN} = V _{DD} , no pull-up or pull-down) | – | – | ±1 | μA |
| I _{OH} | Output high current (V _{OH} = 0.8V _{DD} , V _{DD} = 1.8V) | 4.0 | – | – | mA |
| I _{OL} | Output low current (V _{OL} = 0.4V, V _{DD} = 1.8V) | -4.0 | – | – | mA |
| I _{OZ} | Output leakage current (V _{out} = V _{DD} , output is high impedance) | – | – | ±5 | μA |
| C _i | Input capacitance | – | – | 5 | pF |
| C _o | Output capacitance | – | – | 5 | pF |

3.5 AC Electrical Characteristics

The AC characteristics consist of output delays, input setup and hold times, and signal skew times. All signals are specified relative to an appropriate edge of other signals. All timing specifications are specified at a system operating frequency from 0 MHz to 96 MHz (core operating frequency 150 MHz) with an operating supply voltage from V_{DD min} to V_{DD max} under an operating temperature from T_L to T_H. All timing is measured at 30 pF loading.

Table 7. Tristate Signal Timing

| Pin | Parameter | Minimum | Maximum | Unit |
|----------|----------------------------------------------------|---------|---------|------|
| TRISTATE | Time from TRISTATE activate until I/O becomes Hi-Z | – | 20.8 | ns |

Table 8. 32k/16M Oscillator Signal Timing

| Parameter | Minimum | RMS | Maximum | Unit |
|--------------------------------------|---------|-----|---------|------|
| EXTAL32k input jitter (peak to peak) | – | 5 | 20 | ns |
| EXTAL32k startup time | 800 | – | – | ms |

Table 8. 32k/16M Oscillator Signal Timing (Continued)

| Parameter | Minimum | RMS | Maximum | Unit |
|---------------------------------------------------|---------|-----|---------|------|
| EXTAL16M input jitter (peak to peak) ¹ | – | TBD | TBD | – |
| EXTAL16M startup time ¹ | TBD | – | – | – |

¹ The 16 MHz oscillator is not recommended for use in new designs.

4 Functional Description and Application Information

This section provides the electrical information including and timing diagrams for the individual modules of the i.MX1.

4.1 Embedded Trace Macrocell

All registers in the ETM9 are programmed through a JTAG interface. The interface is an extension of the ARM920T processor's TAP controller, and is assigned scan chain 6. The scan chain consists of a 40-bit shift register comprised of the following:

- 32-bit data field
- 7-bit address field
- A read/write bit

The data to be written is scanned into the 32-bit data field, the address of the register into the 7-bit address field, and a 1 into the read/write bit.

A register is read by scanning its address into the address field and a 0 into the read/write bit. The 32-bit data field is ignored. A read or a write takes place when the TAP controller enters the UPDATE-DR state. The timing diagram for the ETM9 is shown in Figure 2. See Table 9 for the ETM9 timing parameters used in Figure 2.

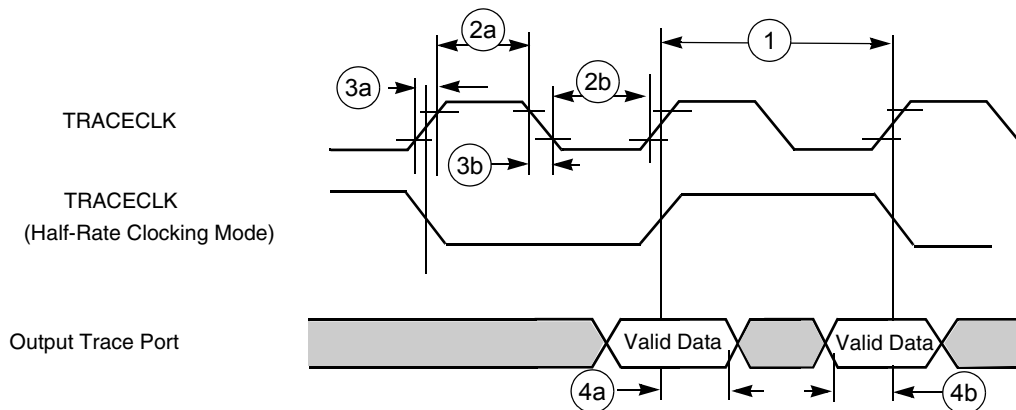


Figure 2. Trace Port Timing Diagram

Table 9. Trace Port Timing Diagram Parameter Table

| Ref No. | Parameter | 1.8 ± 0.1 V | | 3.0 ± 0.3 V | | Unit |
|---------|-------------------|-------------|---------|-------------|---------|------|
| | | Minimum | Maximum | Minimum | Maximum | |
| 1 | CLK frequency | 0 | 85 | 0 | 100 | MHz |
| 2a | Clock high time | 1.3 | – | 2 | – | ns |
| 2b | Clock low time | 3 | – | 2 | – | ns |
| 3a | Clock rise time | – | 4 | – | 3 | ns |
| 3b | Clock fall time | – | 3 | – | 3 | ns |
| 4a | Output hold time | 2.28 | – | 2 | – | ns |
| 4b | Output setup time | 3.42 | – | 3 | – | ns |

4.2 DPLL Timing Specifications

Parameters of the DPLL are given in [Table 10](#). In this table, T_{ref} is a reference clock period after the pre-divider and T_{dck} is the output double clock period.

Table 10. DPLL Specifications

| Parameter | Test Conditions | Minimum | Typical | Maximum | Unit |
|----------------------------------------|-----------------------------------------------------------------------|---------|------------------|---------|-------------------|
| DPLL input clock freq range | Vcc = 1.8V | 5 | – | 100 | MHz |
| Pre-divider output clock freq range | Vcc = 1.8V | 5 | – | 30 | MHz |
| DPLL output clock freq range | Vcc = 1.8V | 80 | – | 220 | MHz |
| Pre-divider factor (PD) | – | 1 | – | 16 | – |
| Total multiplication factor (MF) | Includes both integer and fractional parts | 5 | – | 15 | – |
| MF integer part | – | 5 | – | 15 | – |
| MF numerator | Should be less than the denominator | 0 | – | 1022 | – |
| MF denominator | – | 1 | – | 1023 | – |
| Pre-multiplier lock-in time | – | – | – | 312.5 | μsec |
| Freq lock-in time after full reset | FOL mode for non-integer MF (does not include pre-multi lock-in time) | 250 | 280 (56 μs) | 300 | T_{ref} |
| Freq lock-in time after partial reset | FOL mode for non-integer MF (does not include pre-multi lock-in time) | 220 | 250 (50 μs) | 270 | T_{ref} |
| Phase lock-in time after full reset | FPL mode and integer MF (does not include pre-multi lock-in time) | 300 | 350 (70 μs) | 400 | T_{ref} |
| Phase lock-in time after partial reset | FPL mode and integer MF (does not include pre-multi lock-in time) | 270 | 320 (64 μs) | 370 | T_{ref} |
| Freq jitter (p-p) | – | – | 0.005 (0.01%) | 0.01 | $2 \cdot T_{dck}$ |

Table 10. DPLL Specifications (Continued)

| Parameter | Test Conditions | Minimum | Typical | Maximum | Unit |
|----------------------|----------------------------------------------------------|---------|-----------|---------|------|
| Phase jitter (p-p) | Integer MF, FPL mode, Vcc=1.8V | - | 1.0 (10%) | 1.5 | ns |
| Power supply voltage | - | 1.7 | - | 2.5 | V |
| Power dissipation | FOL mode, integer MF, f _{dck} = MHz, Vcc = 1.8V | - | - | 4 | mW |

4.3 Reset Module

The timing relationships of the Reset module with the POR and RESET_IN are shown in Figure 3 and Figure 4.

NOTE

Be aware that NVDD must ramp up to at least 1.8V before QVDD is powered up to prevent forward biasing.

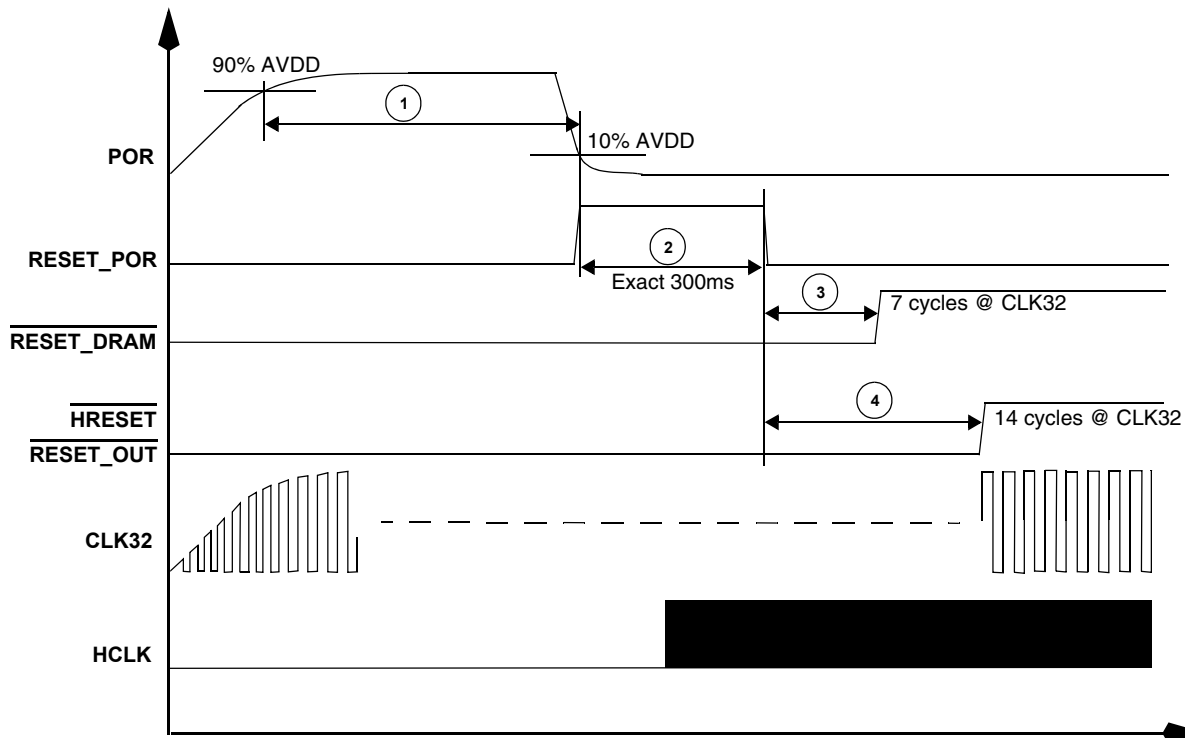


Figure 3. Timing Relationship with POR

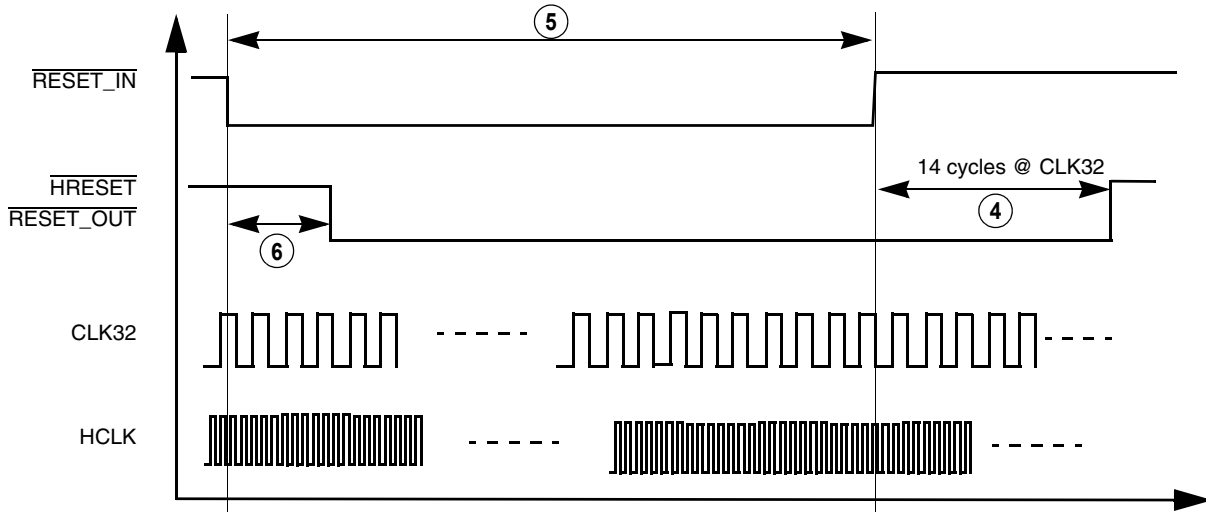


Figure 4. Timing Relationship with $\overline{\text{RESET_IN}}$

Table 11. Reset Module Timing Parameter Table

| Ref No. | Parameter | 1.8 ± 0.1 V | | 3.0 ± 0.3 V | | Unit |
|---------|----------------------------------------------------------------------------------------------------------------------------------------|-------------------|-----|-------------------|-----|-----------------|
| | | Min | Max | Min | Max | |
| 1 | Width of input $\overline{\text{POWER_ON_RESET}}$ | note ¹ | – | note ¹ | – | – |
| 2 | Width of internal $\overline{\text{POWER_ON_RESET}}$ (9600 *CLK32 at 32 kHz) | 300 | 300 | 300 | 300 | ms |
| 3 | 7K to 32K-cycle stretcher for SDRAM reset | 7 | 7 | 7 | 7 | Cycles of CLK32 |
| 4 | 14K to 32K-cycle stretcher for internal system reset $\overline{\text{HRESET}}$ and output reset at pin $\overline{\text{RESET_OUT}}$ | 14 | 14 | 14 | 14 | Cycles of CLK32 |
| 5 | Width of external hard-reset $\overline{\text{RESET_IN}}$ | 4 | – | 4 | – | Cycles of CLK32 |
| 6 | 4K to 32K-cycle qualifier | 4 | 4 | 4 | 4 | Cycles of CLK32 |

¹ POR width is dependent on the 32 or 32.768 kHz crystal oscillator start-up time. Design margin should allow for crystal tolerance, i.MX chip variations, temperature impact, and supply voltage influence. Through the process of supplying crystals for use with CMOS oscillators, crystal manufacturers have developed a working knowledge of start-up time of their crystals. Typically, start-up times range from 400 ms to 1.2 seconds for this type of crystal.

If an external stable clock source (already running) is used instead of a crystal, the width of POR should be ignored in calculating timing for the start-up process.

4.4 External Interface Module

The External Interface Module (EIM) handles the interface to devices external to the i.MX1 processor, including the generation of chip-selects for external peripherals and memory. The timing diagram for the EIM is shown in Figure 5, and Table 12 defines the parameters of signals.

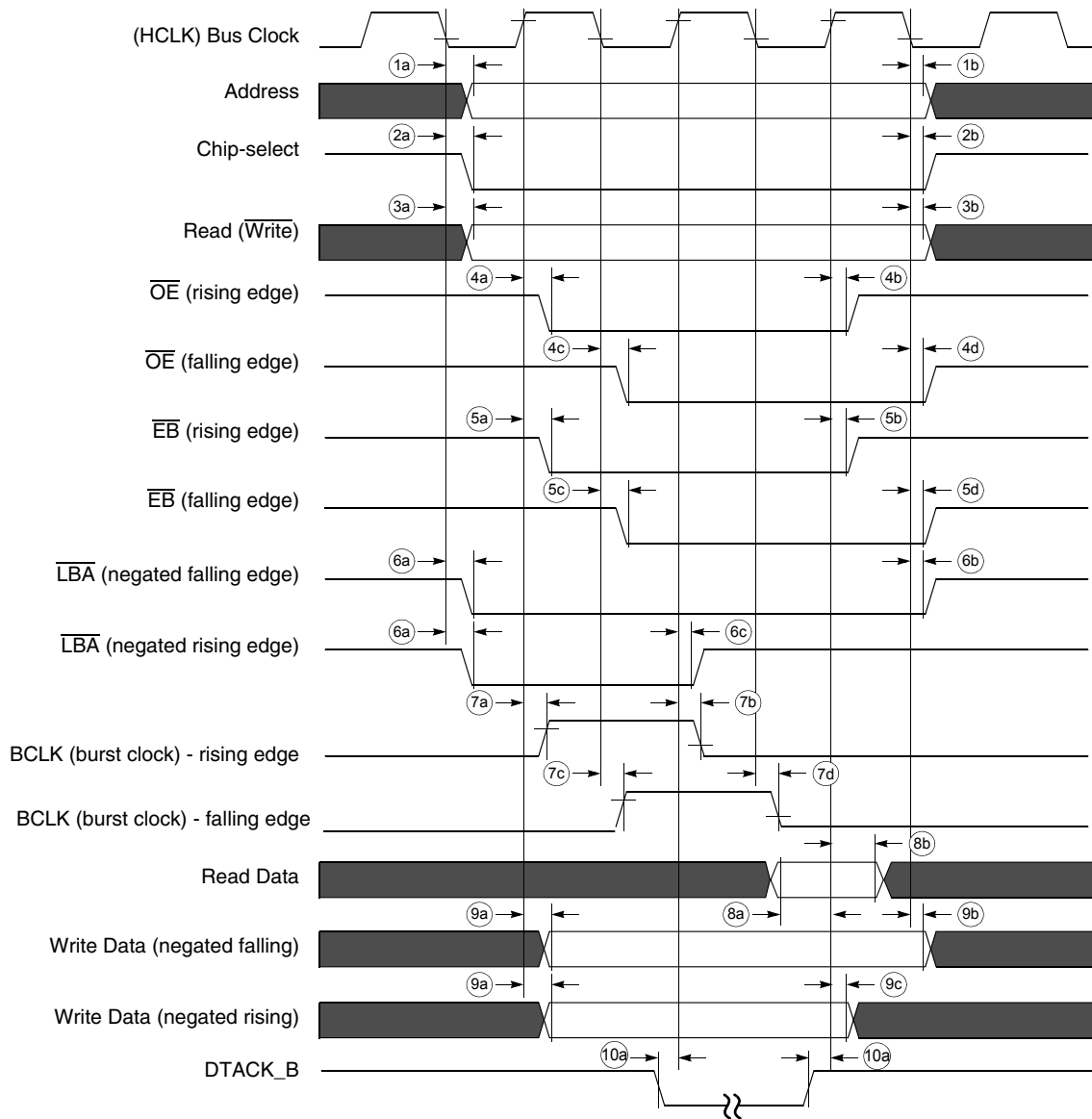


Figure 5. EIM Bus Timing Diagram

Table 12. EIM Bus Timing Parameter Table

| Ref No. | Parameter | 1.8 ± 0.1 V | | | 3.0 ± 0.3 V | | | Unit |
|---------|------------------------------------|-------------|---------|------|-------------|---------|-----|------|
| | | Min | Typical | Max | Min | Typical | Max | |
| 1a | Clock fall to address valid | 2.48 | 3.31 | 9.11 | 2.4 | 3.2 | 8.8 | ns |
| 1b | Clock fall to address invalid | 1.55 | 2.48 | 5.69 | 1.5 | 2.4 | 5.5 | ns |
| 2a | Clock fall to chip-select valid | 2.69 | 3.31 | 7.87 | 2.6 | 3.2 | 7.6 | ns |
| 2b | Clock fall to chip-select invalid | 1.55 | 2.48 | 6.31 | 1.5 | 2.4 | 6.1 | ns |
| 3a | Clock fall to Read (Write) Valid | 1.35 | 2.79 | 6.52 | 1.3 | 2.7 | 6.3 | ns |
| 3b | Clock fall to Read (Write) Invalid | 1.86 | 2.59 | 6.11 | 1.8 | 2.5 | 5.9 | ns |

Table 12. EIM Bus Timing Parameter Table (Continued)

| Ref No. | Parameter | 1.8 ± 0.1 V | | | 3.0 ± 0.3 V | | | Unit |
|---------|-------------------------------------------------------|-------------|---------|------|-------------|---------|-----|------|
| | | Min | Typical | Max | Min | Typical | Max | |
| 4a | Clock ¹ rise to Output Enable Valid | 2.32 | 2.62 | 6.85 | 2.3 | 2.6 | 6.8 | ns |
| 4b | Clock ¹ rise to Output Enable Invalid | 2.11 | 2.52 | 6.55 | 2.1 | 2.5 | 6.5 | ns |
| 4c | Clock ¹ fall to Output Enable Valid | 2.38 | 2.69 | 7.04 | 2.3 | 2.6 | 6.8 | ns |
| 4d | Clock ¹ fall to Output Enable Invalid | 2.17 | 2.59 | 6.73 | 2.1 | 2.5 | 6.5 | ns |
| 5a | Clock ¹ rise to Enable Bytes Valid | 1.91 | 2.52 | 5.54 | 1.9 | 2.5 | 5.5 | ns |
| 5b | Clock ¹ rise to Enable Bytes Invalid | 1.81 | 2.42 | 5.24 | 1.8 | 2.4 | 5.2 | ns |
| 5c | Clock ¹ fall to Enable Bytes Valid | 1.97 | 2.59 | 5.69 | 1.9 | 2.5 | 5.5 | ns |
| 5d | Clock ¹ fall to Enable Bytes Invalid | 1.76 | 2.48 | 5.38 | 1.7 | 2.4 | 5.2 | ns |
| 6a | Clock ¹ fall to Load Burst Address Valid | 2.07 | 2.79 | 6.73 | 2.0 | 2.7 | 6.5 | ns |
| 6b | Clock ¹ fall to Load Burst Address Invalid | 1.97 | 2.79 | 6.83 | 1.9 | 2.7 | 6.6 | ns |
| 6c | Clock ¹ rise to Load Burst Address Invalid | 1.91 | 2.62 | 6.45 | 1.9 | 2.6 | 6.4 | ns |
| 7a | Clock ¹ rise to Burst Clock rise | 1.61 | 2.62 | 5.64 | 1.6 | 2.6 | 5.6 | ns |
| 7b | Clock ¹ rise to Burst Clock fall | 1.61 | 2.62 | 5.84 | 1.6 | 2.6 | 5.8 | ns |
| 7c | Clock ¹ fall to Burst Clock rise | 1.55 | 2.48 | 5.59 | 1.5 | 2.4 | 5.4 | ns |
| 7d | Clock ¹ fall to Burst Clock fall | 1.55 | 2.59 | 5.80 | 1.5 | 2.5 | 5.6 | ns |
| 8a | Read Data setup time | 5.54 | – | – | 5.5 | – | – | ns |
| 8b | Read Data hold time | 0 | – | – | 0 | – | – | ns |
| 9a | Clock ¹ rise to Write Data Valid | 1.81 | 2.72 | 6.85 | 1.8 | 2.7 | 6.8 | ns |
| 9b | Clock ¹ fall to Write Data Invalid | 1.45 | 2.48 | 5.69 | 1.4 | 2.4 | 5.5 | ns |
| 9c | Clock ¹ rise to Write Data Invalid | 1.63 | – | – | 1.62 | – | – | ns |
| 10a | $\overline{\text{DTACK}}$ setup time | 2.52 | – | – | 2.5 | – | – | ns |

¹ Clock refers to the system clock signal, HCLK, generated from the System DPLL

4.4.1 $\overline{\text{DTACK}}$ Signal Description

The $\overline{\text{DTACK}}$ signal is the external input data acknowledge signal. When using the external $\overline{\text{DTACK}}$ signal as a data acknowledge signal, the bus time-out monitor generates a bus error when a bus cycle is not terminated by the external $\overline{\text{DTACK}}$ signal after 1022 HCLK counts have elapsed. Only the CS5 group supports DTACK signal function when the external DTACK signal is used for data acknowledgement.

4.4.2 $\overline{\text{DTACK}}$ Signal Timing

Figure 6 through Figure 9 show the access cycle timing used by chip-select 5. The signal values and units of measure for this figure are found in the associated tables.

4.4.2.1 WAIT Read Cycle without DMA

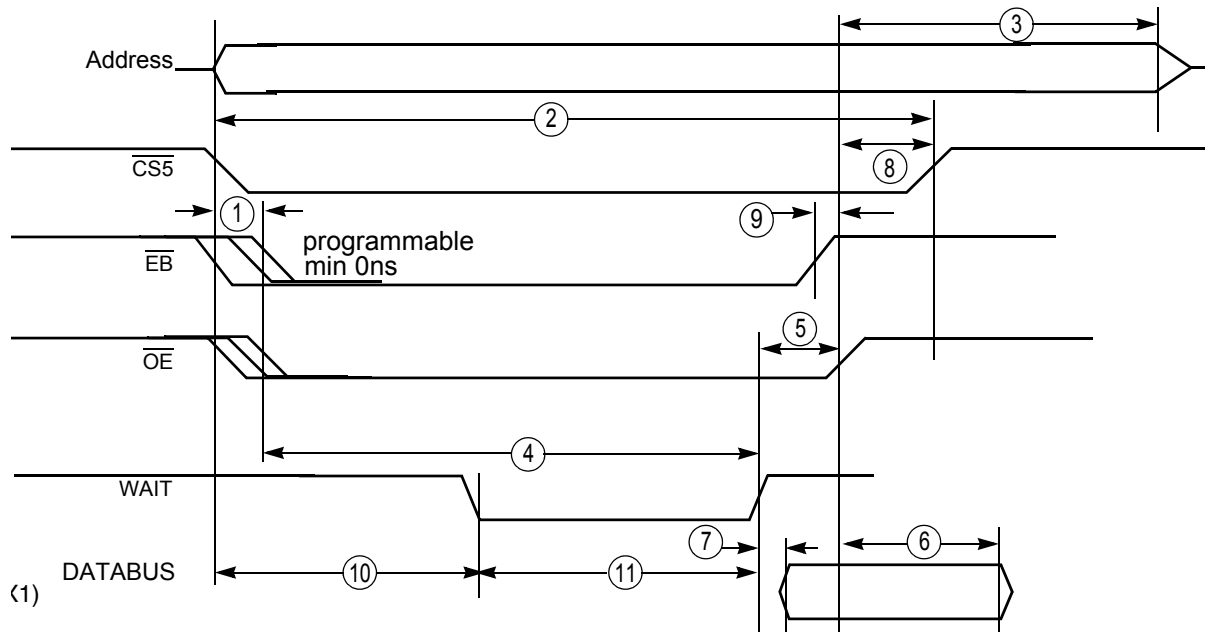


Figure 6. WAIT Read Cycle without DMA

Table 13. WAIT Read Cycle without DMA: WSC = 111111, DTACK_SEL=1, HCLK=96MHz

| Number | Characteristic | 3.0 ± 0.3 V | | Unit |
|--------|----------------------------------------------------|-------------|-----------|------|
| | | Minimum | Maximum | |
| 1 | \overline{OE} and \overline{EB} assertion time | See note 2 | – | ns |
| 2 | $\overline{CS5}$ pulse width | 3T | – | ns |
| 3 | \overline{OE} negated to address inactive | 56.81 | – | ns |
| 4 | Wait asserted after \overline{OE} asserted | – | 1020T | ns |
| 5 | Wait asserted to \overline{OE} negated | 2T+2.2 | 3T+7.17 | ns |
| 6 | Data hold timing after \overline{OE} negated | T-1.86 | – | ns |
| 7 | Data ready after wait asserted | 0 | T | ns |
| 8 | OE negated to CS negated | 1.5T+0.24 | 1.5T+0.85 | ns |
| 9 | OE negated after EB negated | 0.5 | 1.5 | ns |
| 10 | Become low after CS5 asserted | 0 | 1019T | ns |
| 11 | Wait pulse width | 1T | 1020T | ns |

Note:

1. T is the system clock period. (For 96 MHz system clock, T=10.42 ns)
2. \overline{OE} and \overline{EB} assertion time is programmable by OEA bit in CS5L register. \overline{EB} assertion in read cycle will occur only when EBC bit in CS5L register is clear.
3. Address becomes valid and \overline{CS} asserts at the start of read access cycle.
4. The external wait input requirement is eliminated when CS5 is programmed to use internal wait state.

4.4.2.2 WAIT Read Cycle DMA Enabled

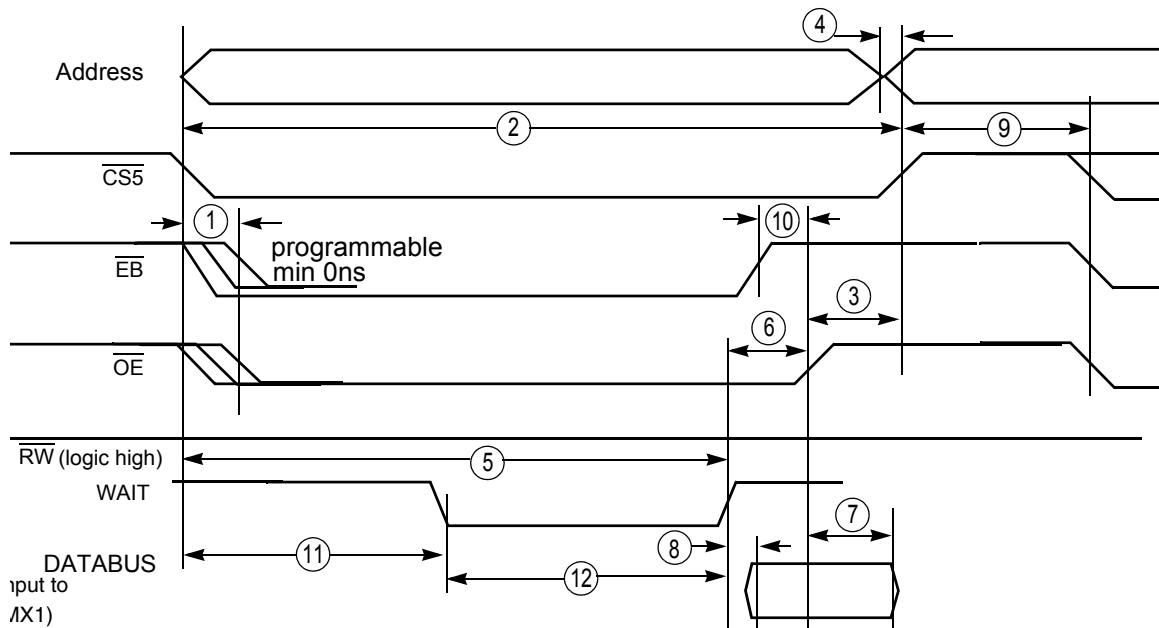


Figure 7. DTACK WAIT Read Cycle DMA Enabled

Table 14. DTACK WAIT Read Cycle DMA Enabled: WSC = 111111, DTACK_SEL=1, HCLK=96MHz

| Number | Characteristic | 3.0 ± 0.3 V | | Unit |
|--------|------------------------------------------------------------|-------------|-----------|------|
| | | Minimum | Maximum | |
| 1 | \overline{OE} and \overline{EB} assertion time | See note 2 | – | ns |
| 2 | $\overline{CS5}$ pulse width | 3T | – | ns |
| 3 | \overline{OE} negated before $\overline{CS5}$ is negated | 1.5T+0.24 | 1.5T+0.85 | ns |
| 4 | Address inactivated before $\overline{CS5}$ negated | – | 0.93 | ns |
| 5 | Wait asserted after $\overline{CS5}$ asserted | – | 1020T | ns |
| 6 | Wait asserted to \overline{OE} negated | 2T+2.2 | 3T+7.17 | ns |
| 7 | Data hold timing after \overline{OE} negated | T-1.86 | – | ns |
| 8 | Data ready after wait is asserted | – | T | ns |
| 9 | $\overline{CS5}$ deactive to next $\overline{CS5}$ active | T | – | ns |
| 10 | OE negate after EB negate | 0.5 | 1.5 | ns |
| 11 | Wait becomes low after CS5 asserted | 0 | 1019T | ns |

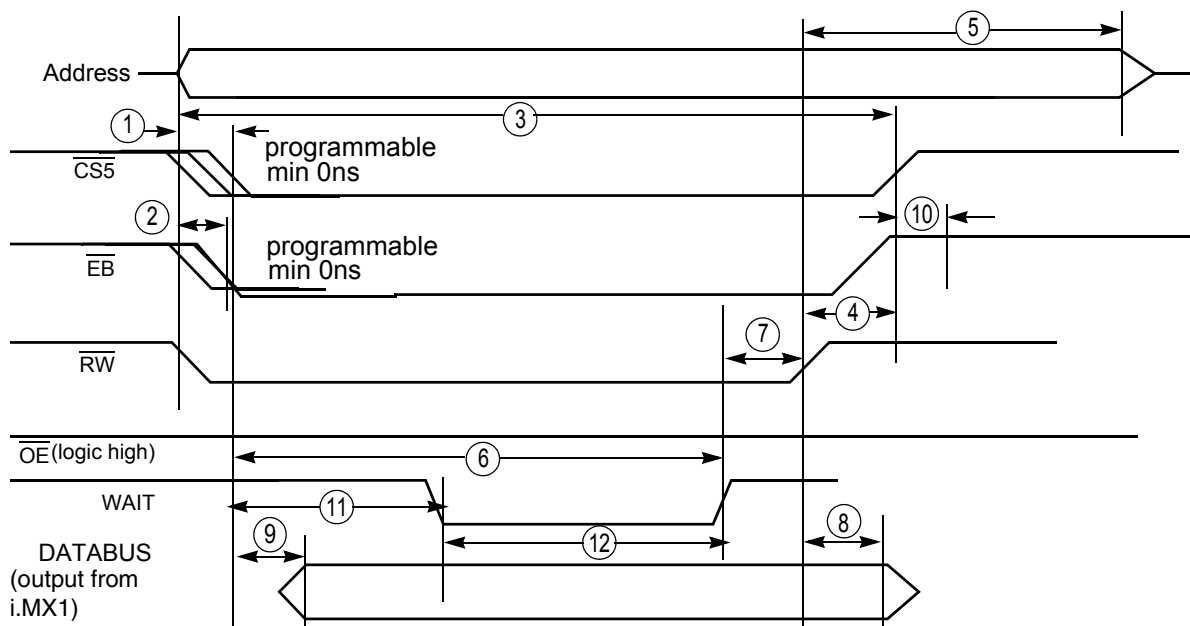
Table 14. DTACK WAIT Read Cycle DMA Enabled: WSC = 111111, DTACK_SEL=1, HCLK=96MHz (Continued)

| Number | Characteristic | 3.0 ± 0.3 V | | Unit |
|--------|------------------|-------------|---------|------|
| | | Minimum | Maximum | |
| 12 | Wait pulse width | 1T | 1020T | ns |

Note:

1. T is the system clock period. (For 96 MHz system clock, T=10.42 ns)
2. \overline{OE} and \overline{EB} assertion time is programmable by OEA bit in CS5L register. \overline{EB} assertion in read cycle will occur only when EBC bit in CS5L register is clear.
3. Address becomes valid and CS asserts at the start of read access cycle.
4. The external wait input requirement is eliminated when CS5 is programmed to use internal wait state.

4.4.2.3 WAIT Write Cycle without DMA


Figure 8. WAIT Write Cycle without DMA
Table 15. WAIT Write Cycle without DMA: WSC = 111111, DTACK_SEL=1, HCLK=96MHz

| Number | Characteristic | 3.0 ± 0.3 V | | Unit |
|--------|------------------------------------------------------------|-------------|-----------|------|
| | | Minimum | Maximum | |
| 1 | $\overline{CS5}$ assertion time | See note 2 | – | ns |
| 2 | \overline{EB} assertion time | See note 2 | – | ns |
| 3 | $\overline{CS5}$ pulse width | 3T | – | ns |
| 4 | \overline{RW} negated before $\overline{CS5}$ is negated | 2.5T-0.29 | 2.5T+0.68 | ns |
| 5 | \overline{RW} negated to Address inactive | 67.28 | – | ns |
| 6 | Wait asserted after $\overline{CS5}$ asserted | – | 1020T | ns |

Table 15. WAIT Write Cycle without DMA: WSC = 111111, DTACK_SEL=1, HCLK=96MHz (Continued)

| Number | Characteristic | 3.0 ± 0.3 V | | Unit |
|--------|-----------------------------------------------------------|-------------|-----------|------|
| | | Minimum | Maximum | |
| 7 | Wait asserted to \overline{RW} negated | 1T+2.15 | 2T+7.34 | ns |
| 8 | Data hold timing after \overline{RW} negated | 2.5T-1.18 | – | ns |
| 9 | Data ready after $\overline{CS5}$ is asserted | – | T | ns |
| 10 | \overline{EB} negated after $\overline{CS5}$ is negated | 1.5T+0.74 | 1.5T+2.35 | ns |
| 11 | Wait becomes low after $\overline{CS5}$ asserted | 0 | 1019T | ns |
| 12 | Wait pulse width | 1T | 1020T | ns |

Note:

1. T is the system clock period. (For 96 MHz system clock, T=10.42 ns)
2. $\overline{CS5}$ assertion can be controlled by CSA bits. \overline{EB} assertion can also be programmable by WEA bits in CS5L register.
3. Address becomes valid and \overline{RW} asserts at the start of write access cycle.
4. The external wait input requirement is eliminated when CS5 is programmed to use internal wait state.

4.4.2.4 WAIT Write Cycle DMA Enabled

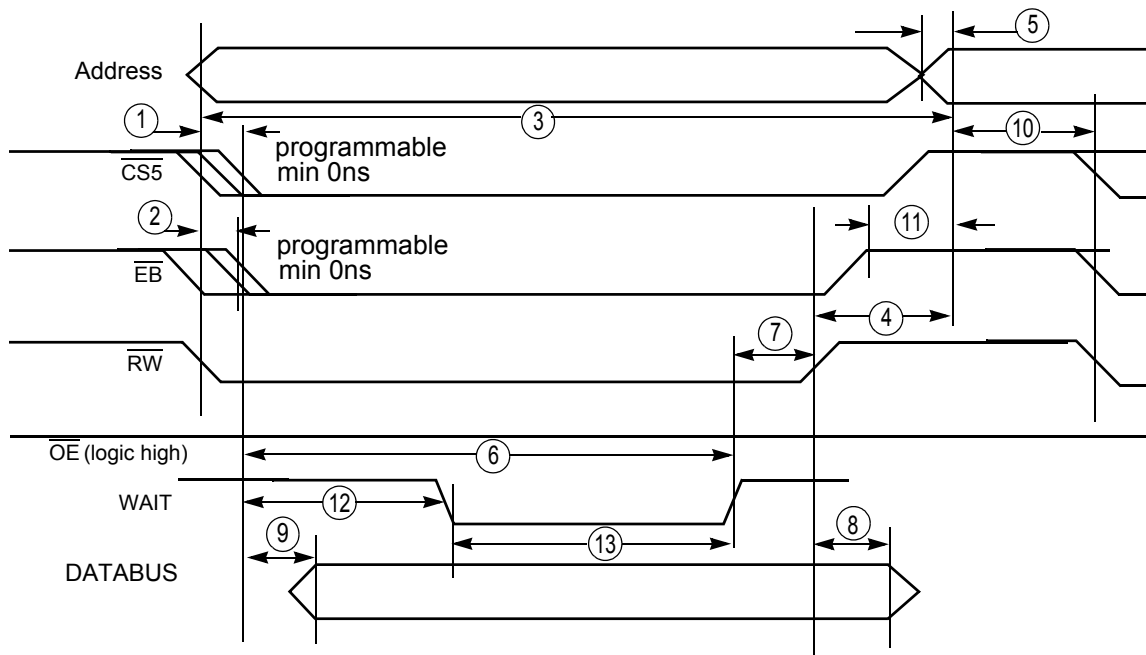


Figure 9. WAIT Write Cycle DMA Enabled

Table 16. WAIT Write Cycle DMA Enabled: WSC = 111111, DTACK_SEL=1, HCLK=96MHz

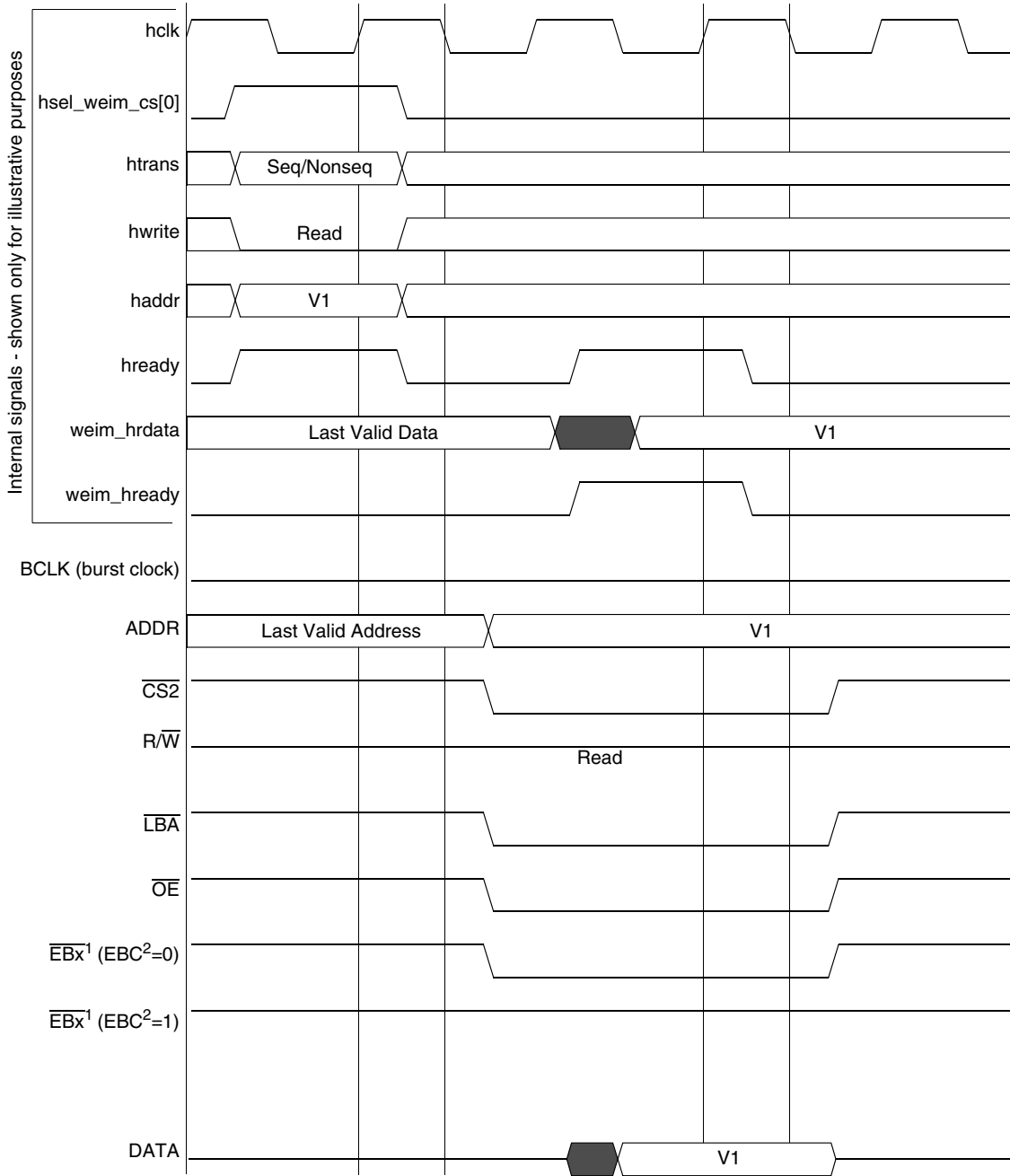
| Number | Characteristic | 3.0 ± 0.3 V | | Unit |
|--------|------------------------------------------------------------|-------------|-----------|------|
| | | Minimum | Maximum | |
| 1 | $\overline{CS5}$ assertion time | See note 2 | – | ns |
| 2 | \overline{EB} assertion time | See note 2 | – | ns |
| 3 | $\overline{CS5}$ pulse width | 3T | – | ns |
| 4 | \overline{RW} negated before $\overline{CS5}$ is negated | 2.5T-0.29 | 2.5T+0.68 | ns |
| 5 | Address inactivated after \overline{CS} negated | – | 0.93 | ns |
| 6 | Wait asserted after $\overline{CS5}$ asserted | – | 1020T | ns |
| 7 | Wait asserted to \overline{RW} negated | T+2.15 | 2T+7.34 | ns |
| 8 | Data hold timing after \overline{RW} negated | 24.87 | – | ns |
| 9 | Data ready after $\overline{CS5}$ is asserted | – | T | ns |
| 10 | \overline{CS} deactive to next \overline{CS} active | T | – | ns |
| 11 | \overline{EB} negate after \overline{CS} negate | 1.5T+0.74 | 1.5T+2.35 | |
| 12 | Wait becomes low after $\overline{CS5}$ asserted | 0 | 1019T | ns |
| 13 | Wait pulse width | 1T | 1020T | ns |

Note:

1. T is the system clock period. (For 96 MHz system clock, T=10.42 ns)
2. $\overline{CS5}$ assertion can be controlled by CSA bits. \overline{EB} assertion also can be programmable by WEA bits in CS5L register.
3. Address becomes valid and \overline{RW} asserts at the start of write access cycle.
4. The external wait input requirement is eliminated when $\overline{CS5}$ is programmed to use internal wait state.

4.4.3 EIM External Bus Timing

The External Interface Module (EIM) is the interface to devices external to the i.MX1, including generation of chip-selects for external peripherals and memory. The timing diagram for the EIM is shown in [Figure 5](#), and [Table 12](#) defines the parameters of signals.



Note 1: x = 0, 1, 2 or 3

Note 2: EBC = Enable Byte Control bit (bit 11) on the Chip Select Control Register

Figure 10. WSC = 1, A.HALF/E.HALF

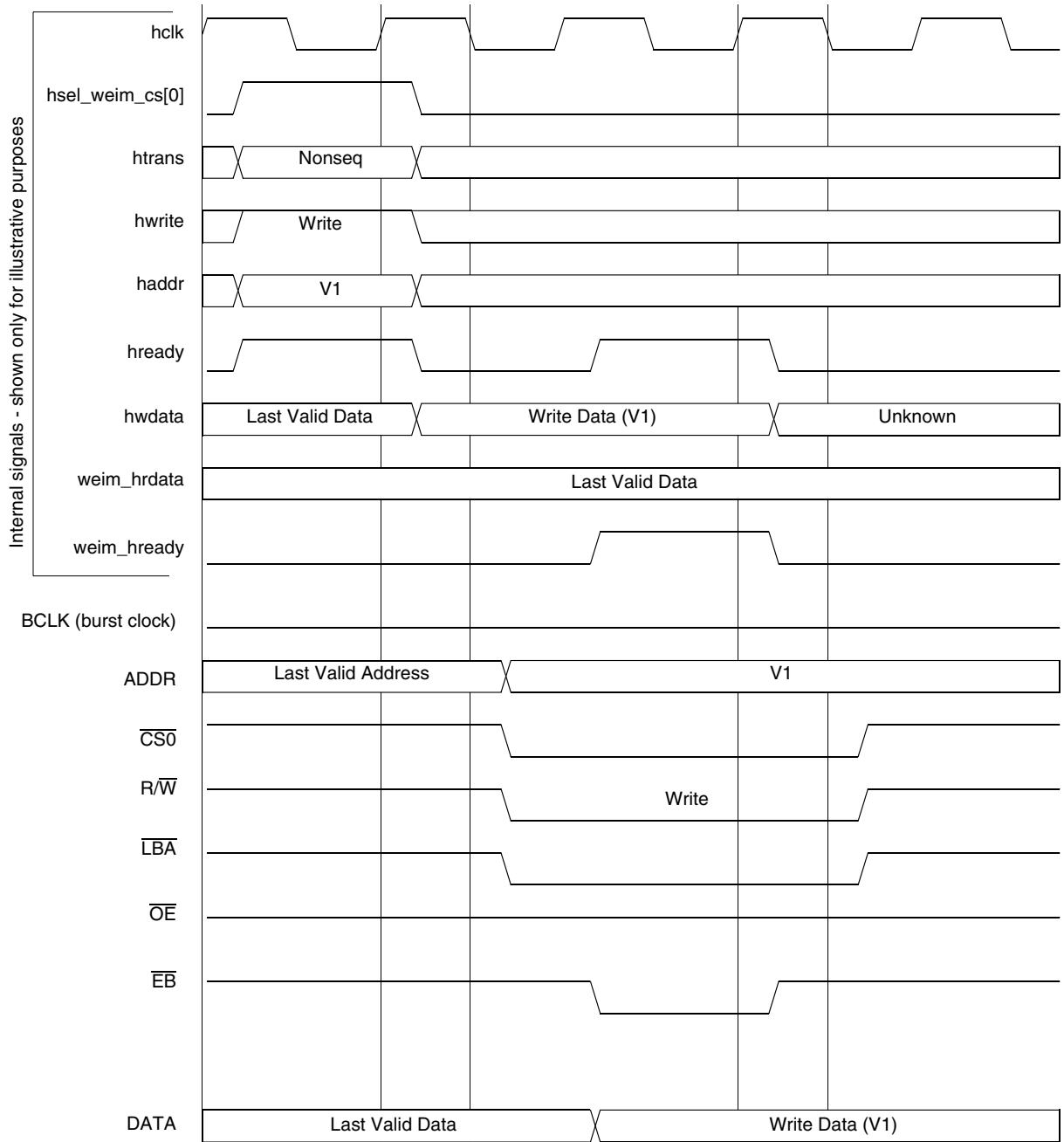
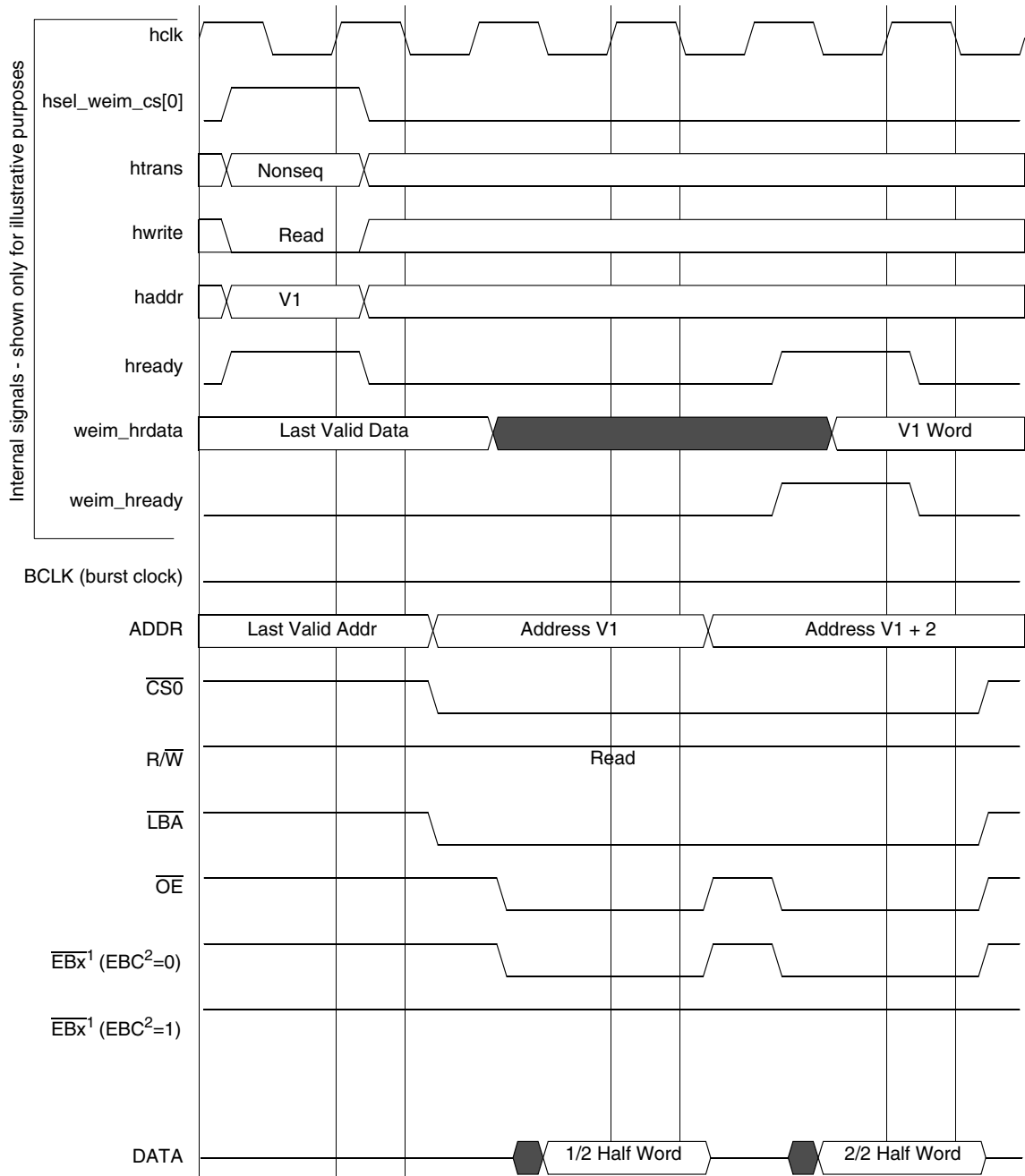


Figure 11. WSC = 1, WEA = 1, WEN = 1, A.HALF/E.HALF



Note 1: x = 0, 1, 2 or 3

Note 2: EBC = Enable Byte Control bit (bit 11) on the Chip Select Control Register

Figure 12. WSC = 1, OEA = 1, A.WORD/E.HALF

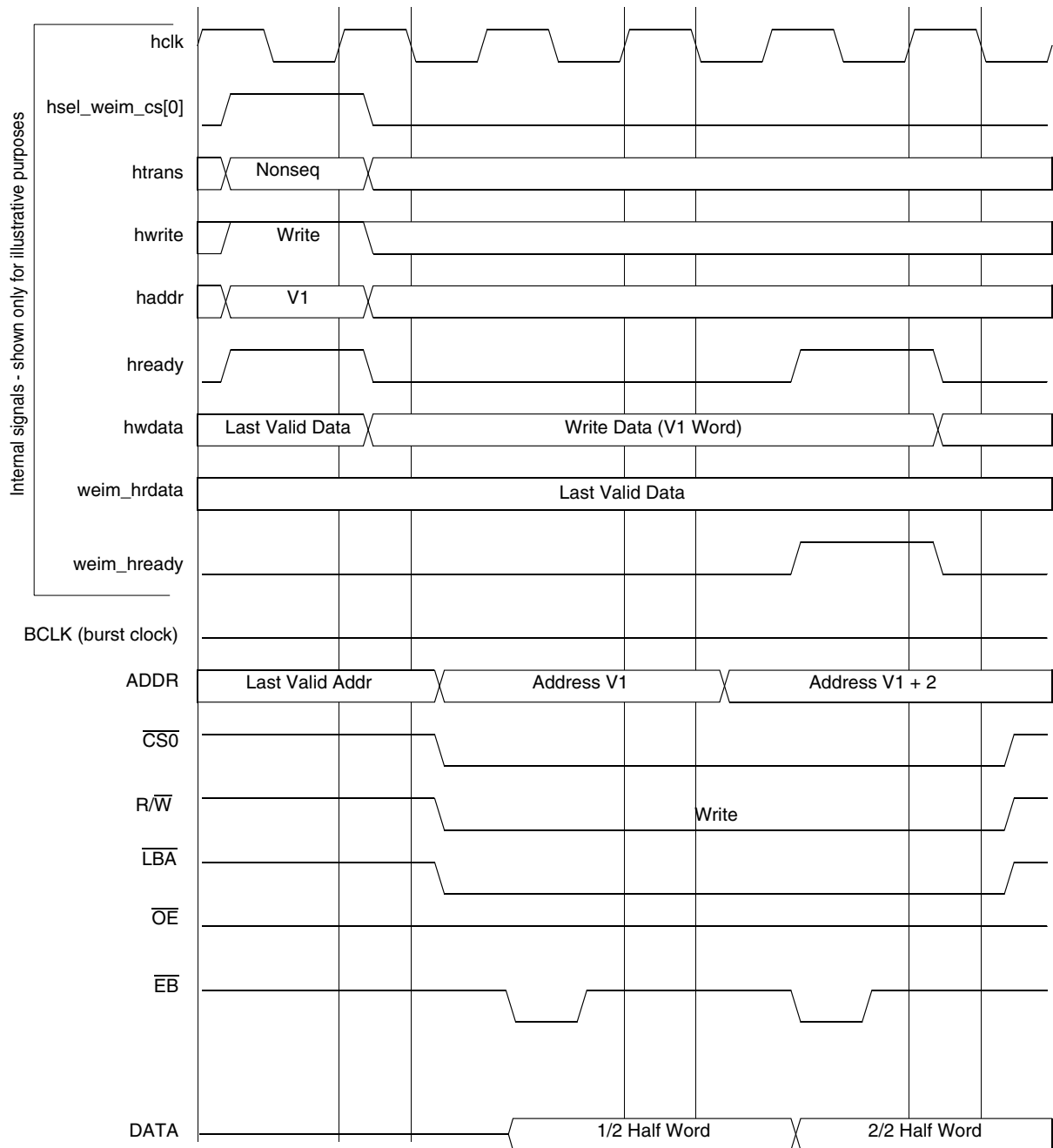


Figure 13. WSC = 1, WEA = 1, WEN = 2, A.WORD/E.HALF

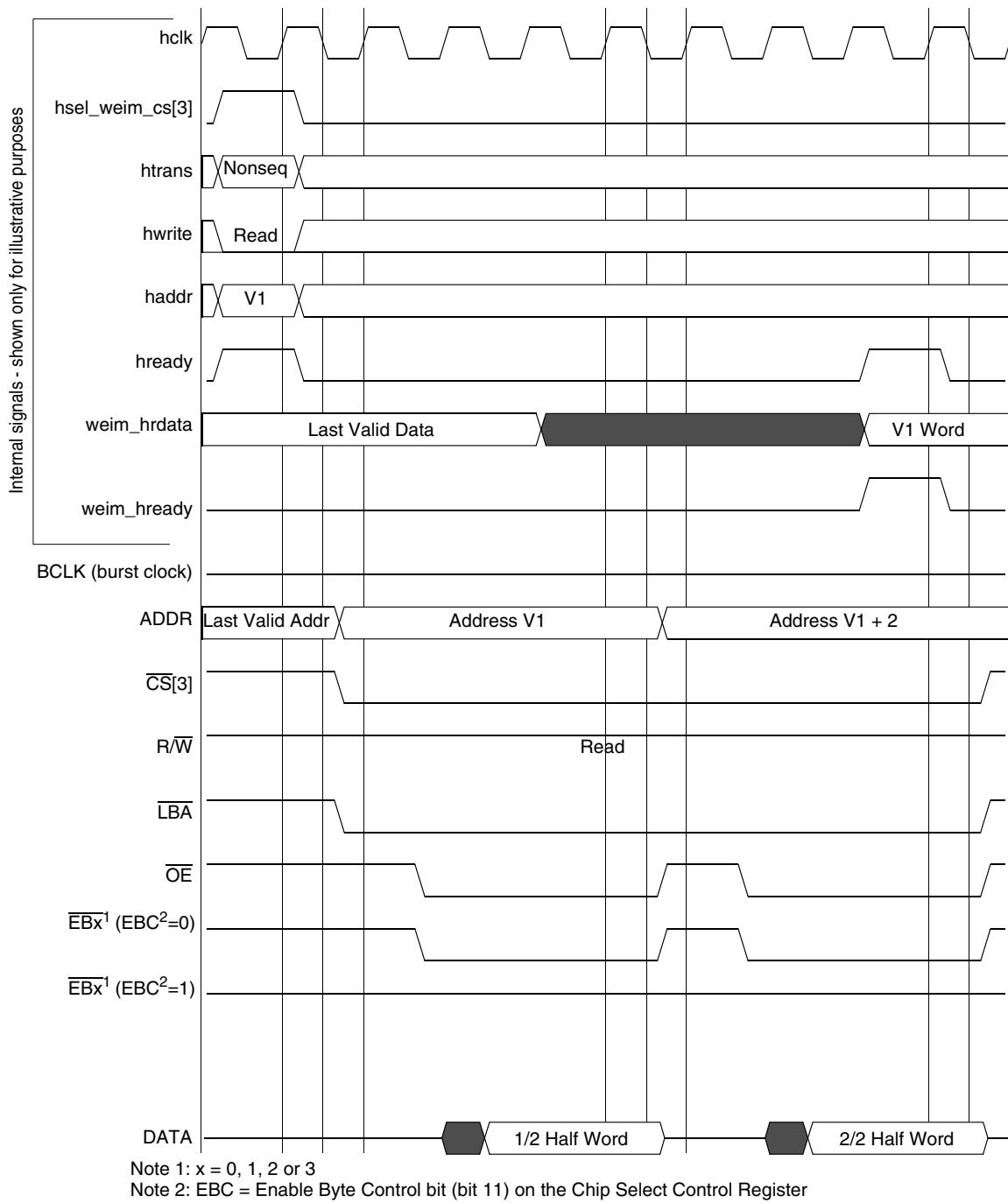


Figure 14. WSC = 3, OEA = 2, A.WORD/E.HALF

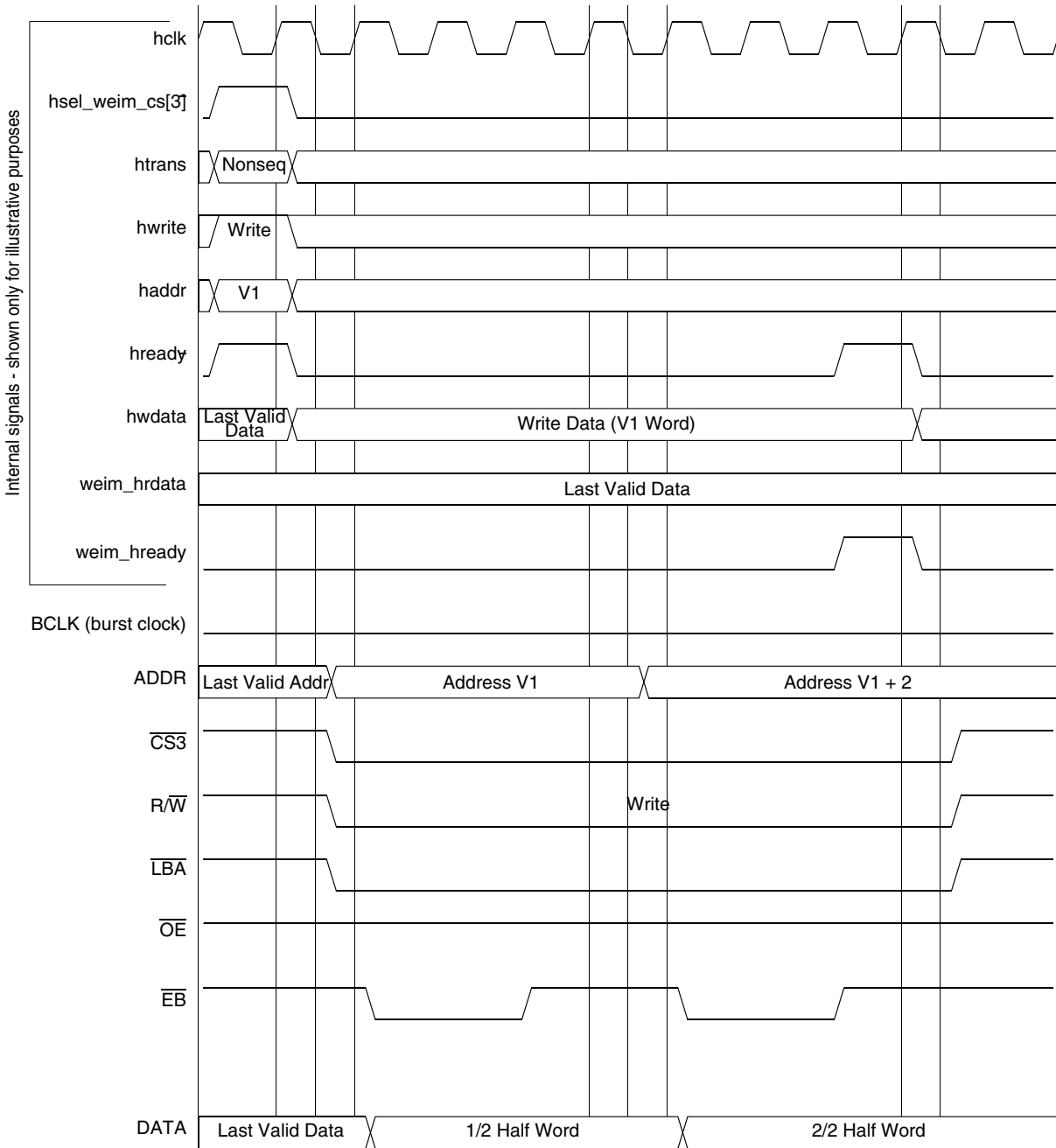
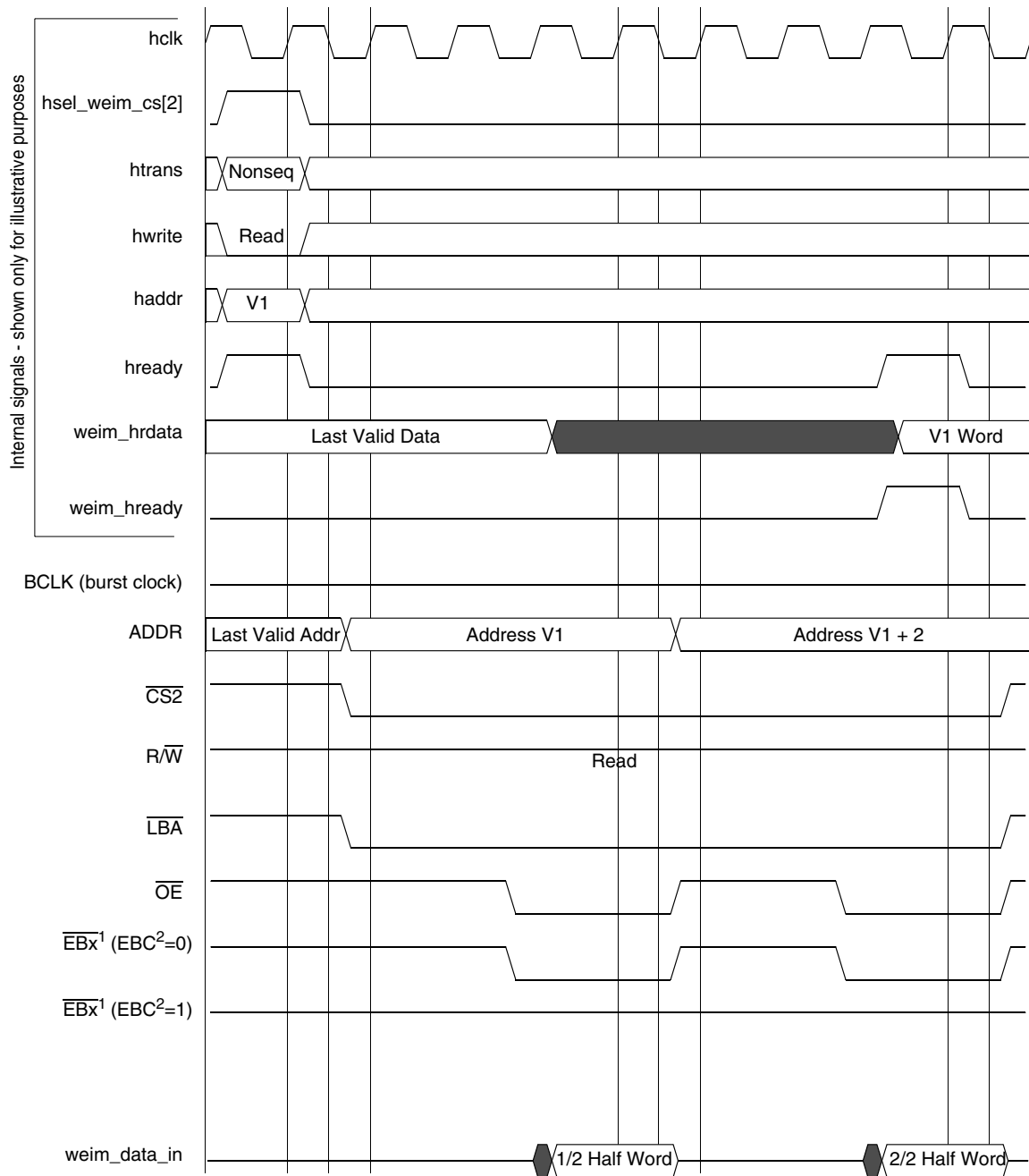


Figure 15. WSC = 3, WEA = 1, WEN = 3, A.WORD/E.HALF



Note 1: x = 0, 1, 2 or 3

Note 2: EBC = Enable Byte Control bit (bit 11) on the Chip Select Control Register

Figure 16. WSC = 3, OEA = 4, A.WORD/E.HALF

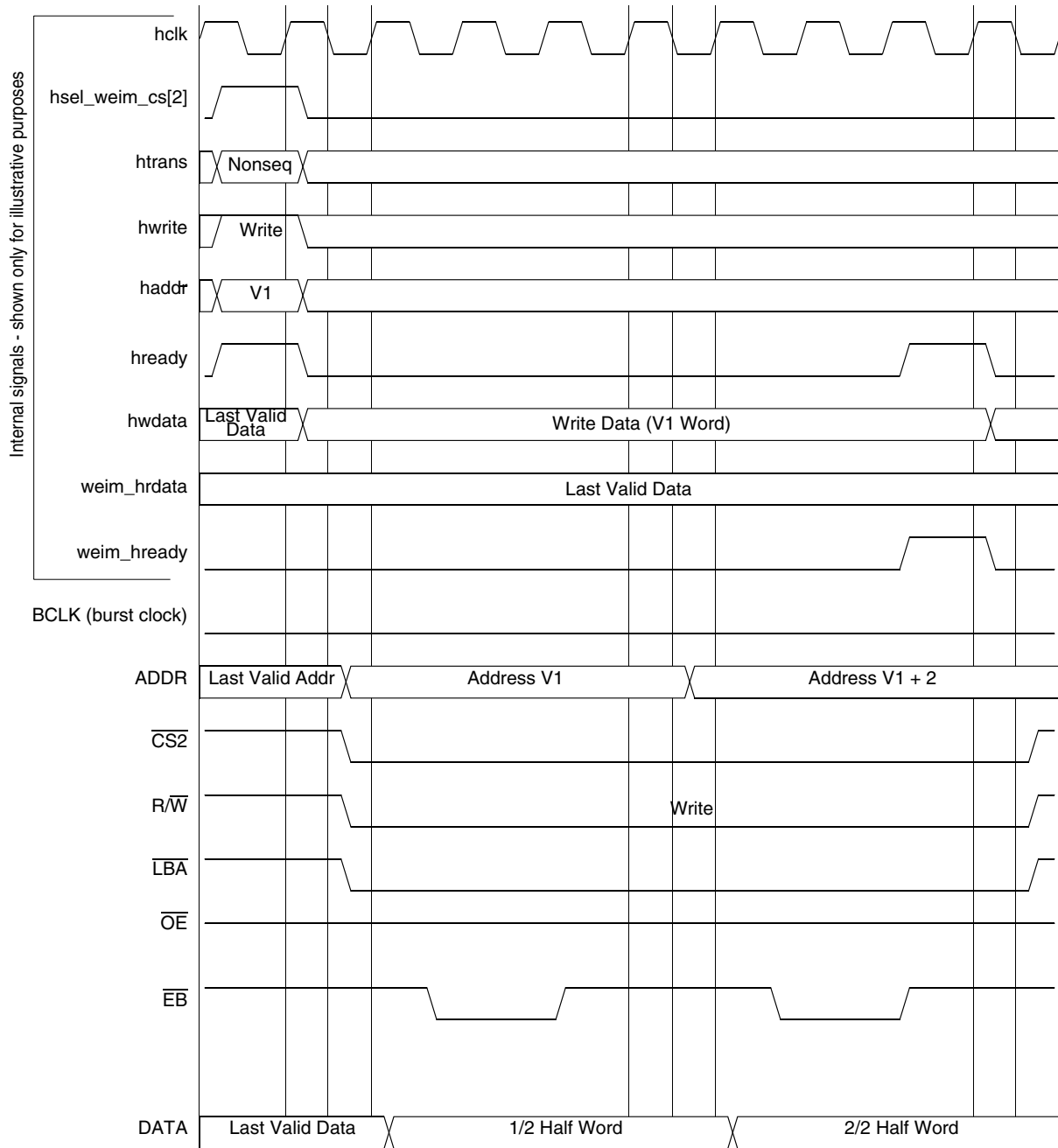
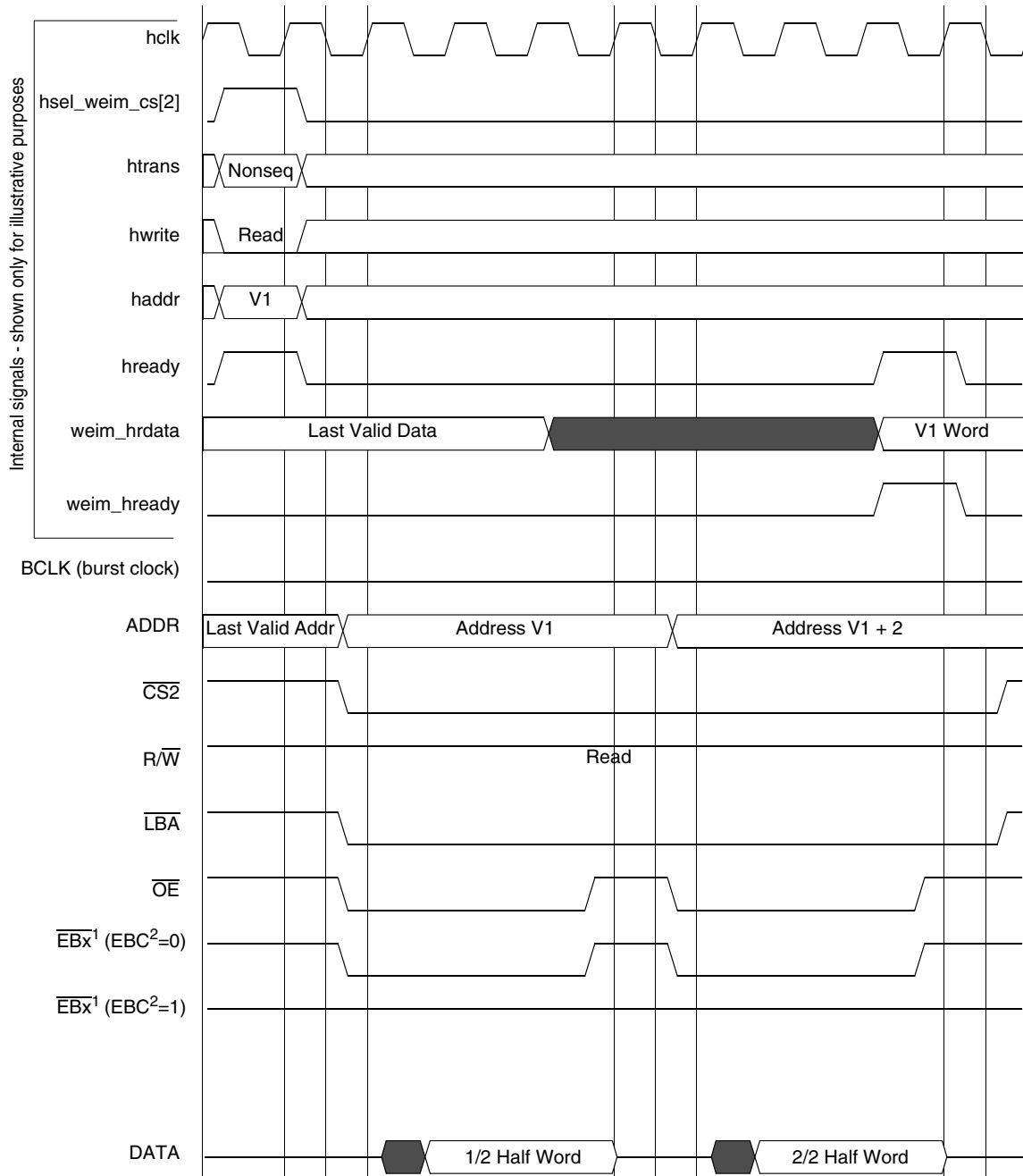


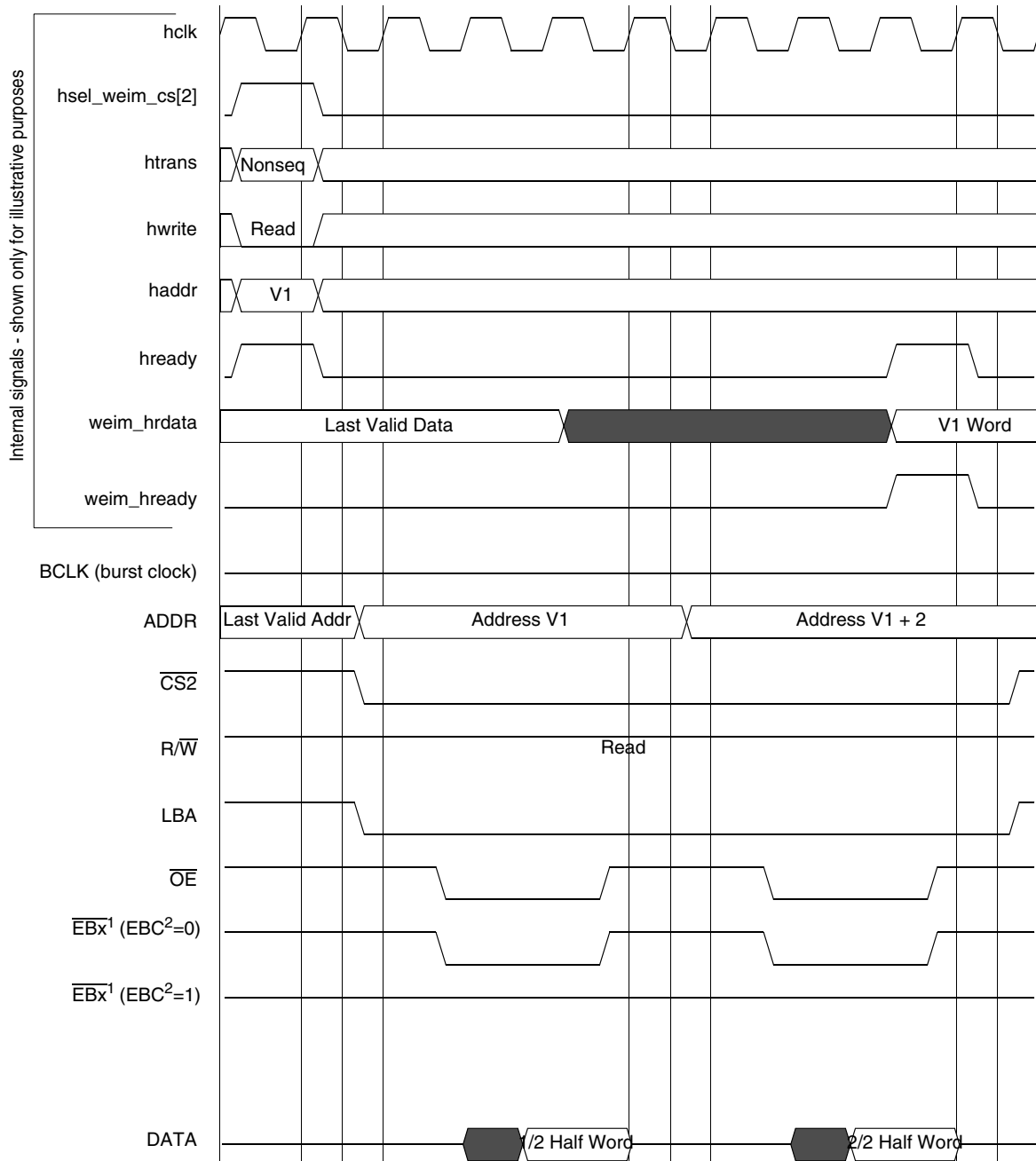
Figure 17. WSC = 3, WEA = 2, WEN = 3, A.WORD/E.HALF



Note 1: x = 0, 1, 2 or 3

Note 2: EBC = Enable Byte Control bit (bit 11) on the Chip Select Control Register

Figure 18. WSC = 3, OEN = 2, A.WORD/E.HALF



Note 1: x = 0, 1, 2 or 3

Note 2: EBC = Enable Byte Control bit (bit 11) on the Chip Select Control Register

Figure 19. WSC = 3, OEA = 2, OEN = 2, A.WORD/E.HALF

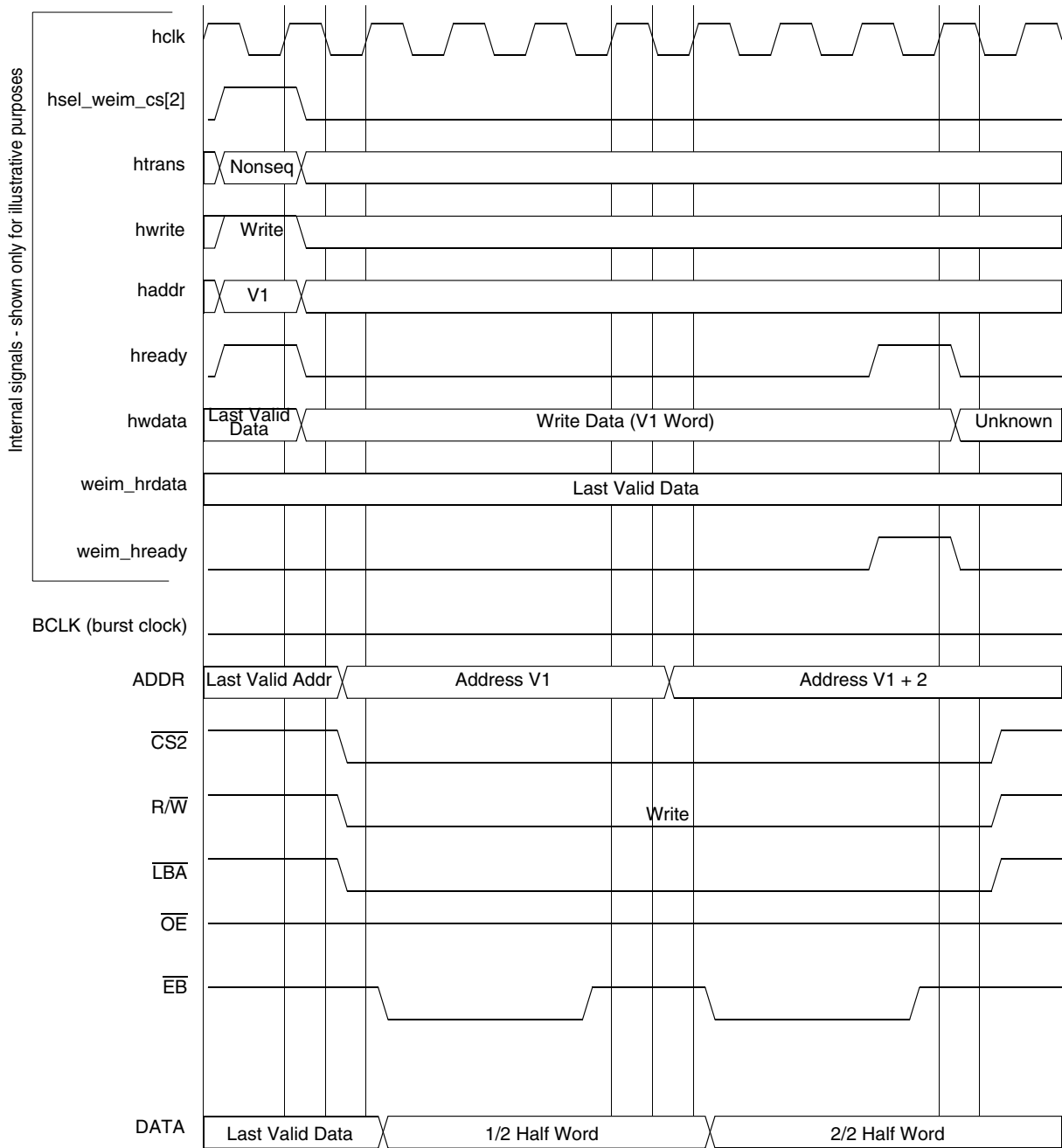


Figure 20. WSC = 2, WWS = 1, WEA = 1, WEN = 2, A.WORD/E.HALF

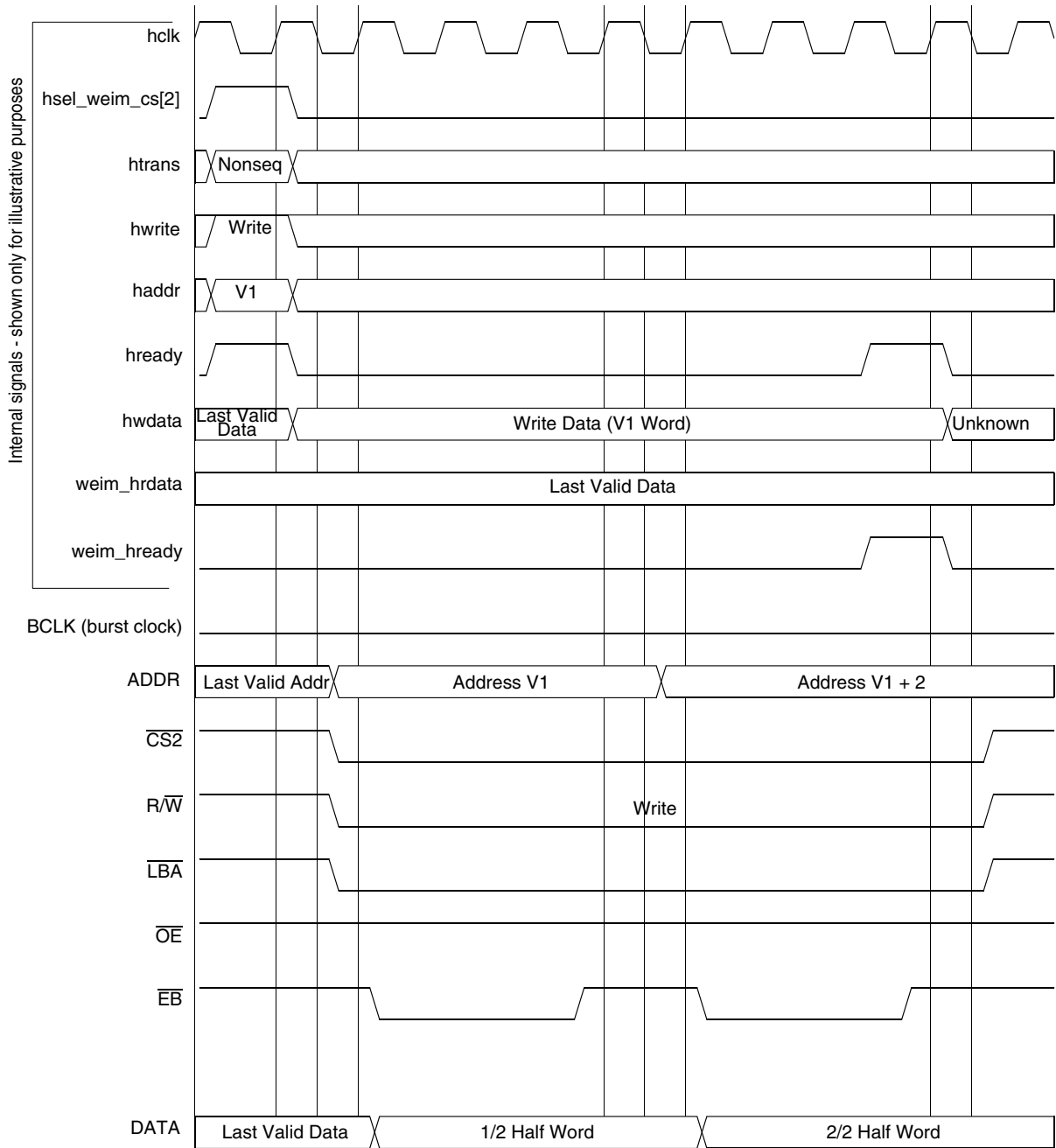
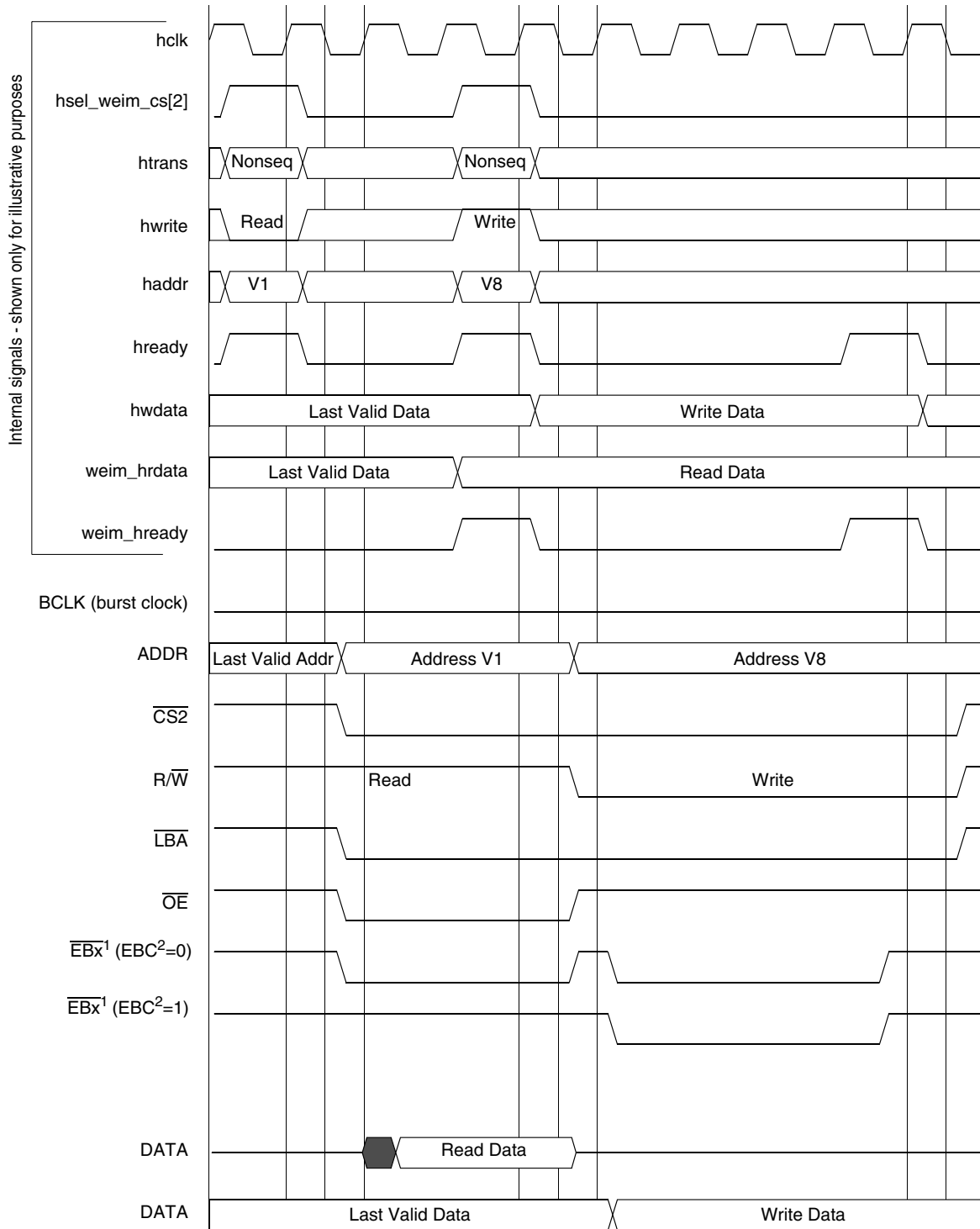


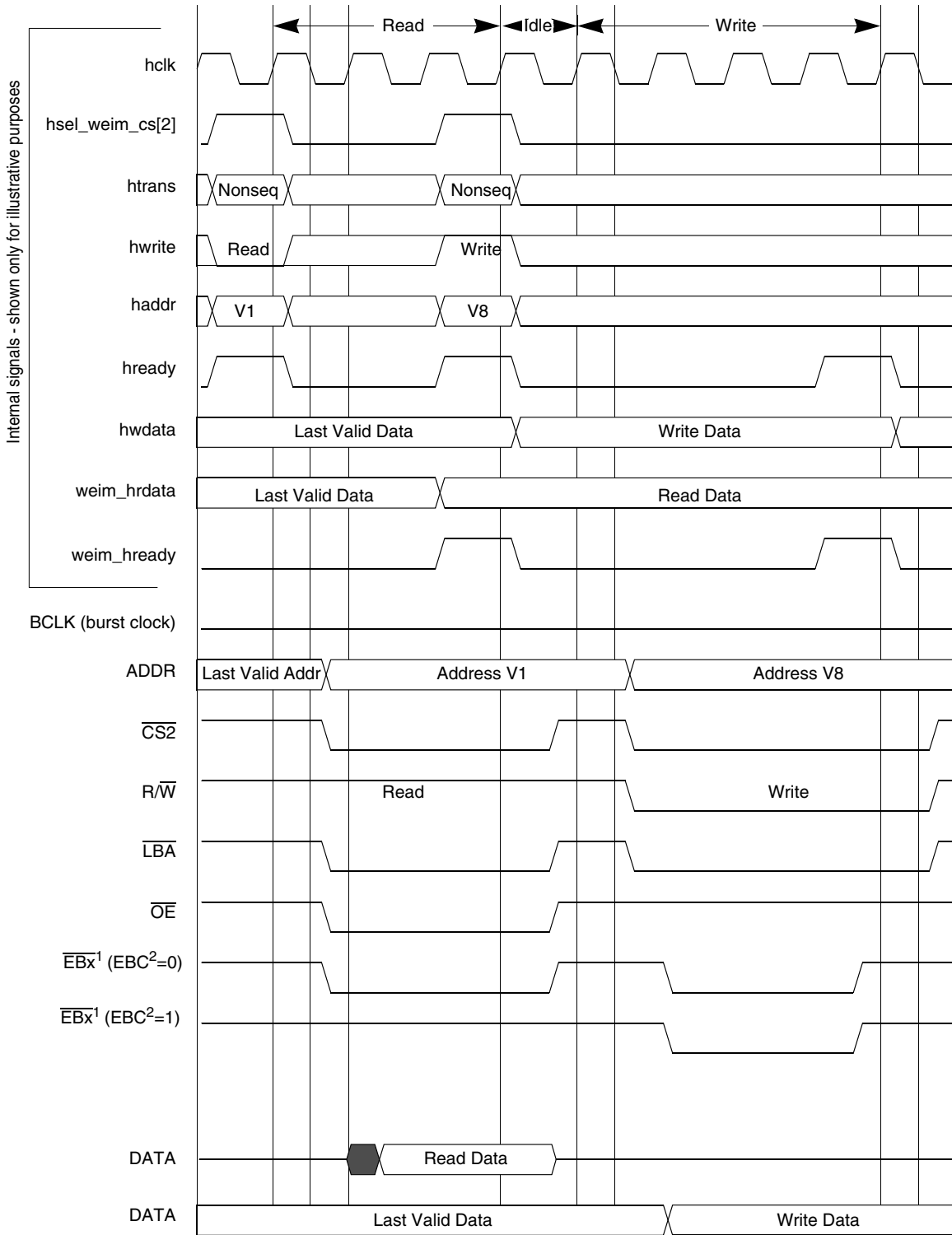
Figure 21. WSC = 1, WWS = 2, WEA = 1, WEN = 2, A.WORD/E.HALF



Note 1: x = 0, 1, 2 or 3

Note 2: EBC = Enable Byte Control bit (bit 11) on the Chip Select Control Register

Figure 22. WSC = 2, WWS = 2, WEA = 1, WEN = 2, A.HALF/E.HALF



Note 1: x = 0, 1, 2 or 3

Note 2: EBC = Enable Byte Control bit (bit 11) on the Chip Select Control Register

Figure 23. WSC = 2, WWS = 1, WEA = 1, WEN = 2, EDC = 1, A.HALF/E.HALF

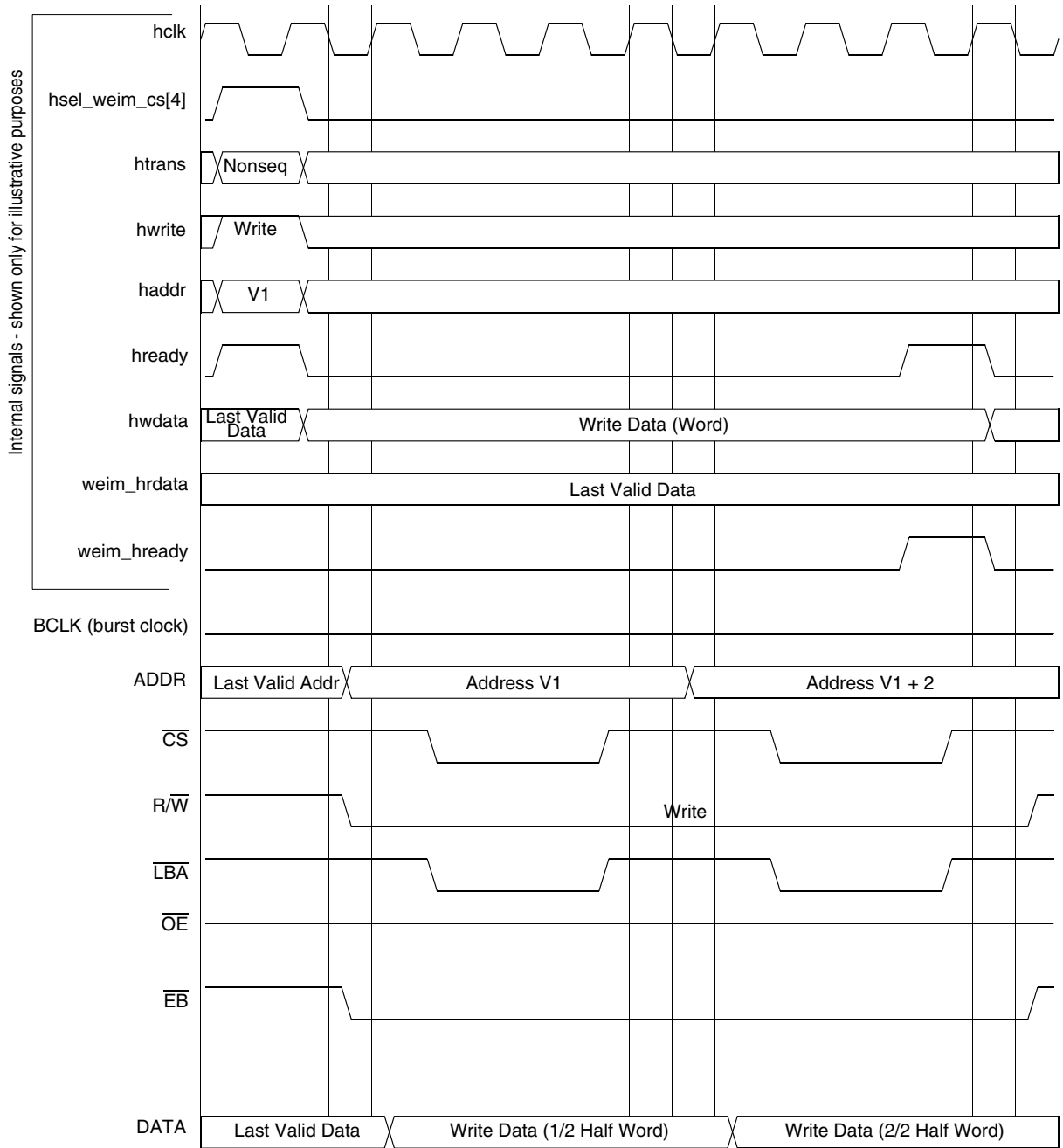
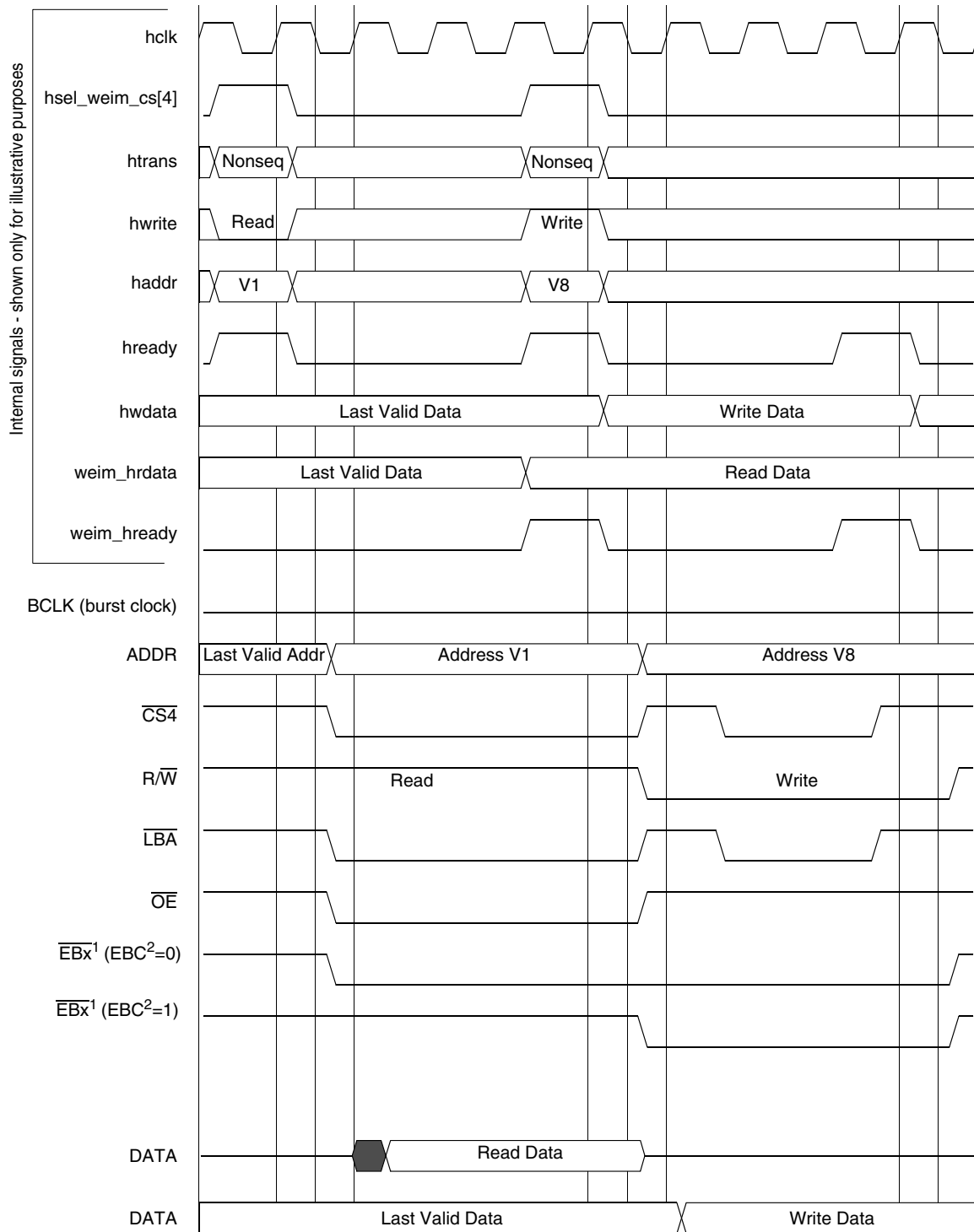
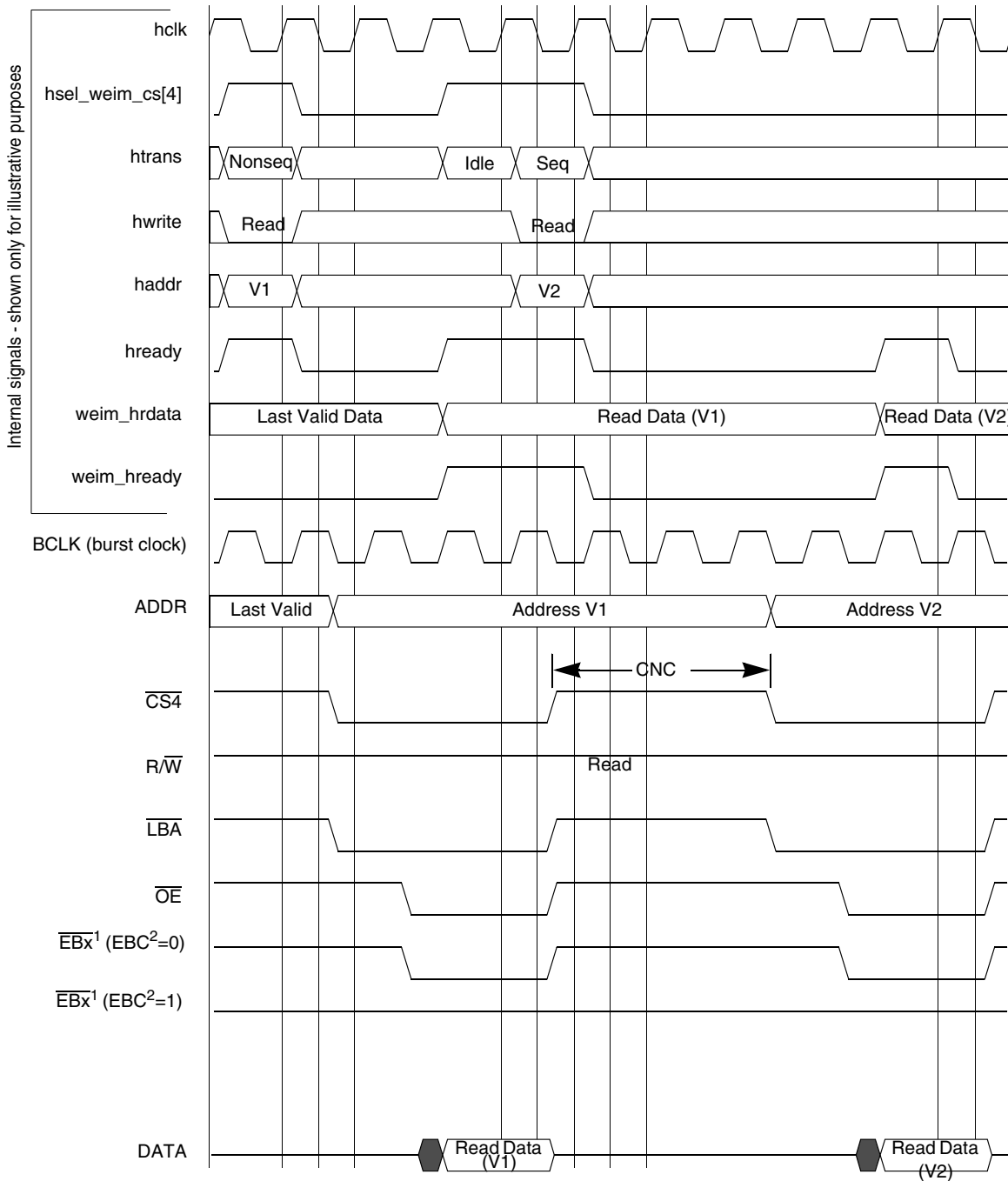


Figure 24. WSC = 2, CSA = 1, WWS = 1, A.WORD/E.HALF



Note 1: x = 0, 1, 2 or 3
 Note 2: EBC = Enable Byte Control bit (bit 11) on the Chip Select Control Register

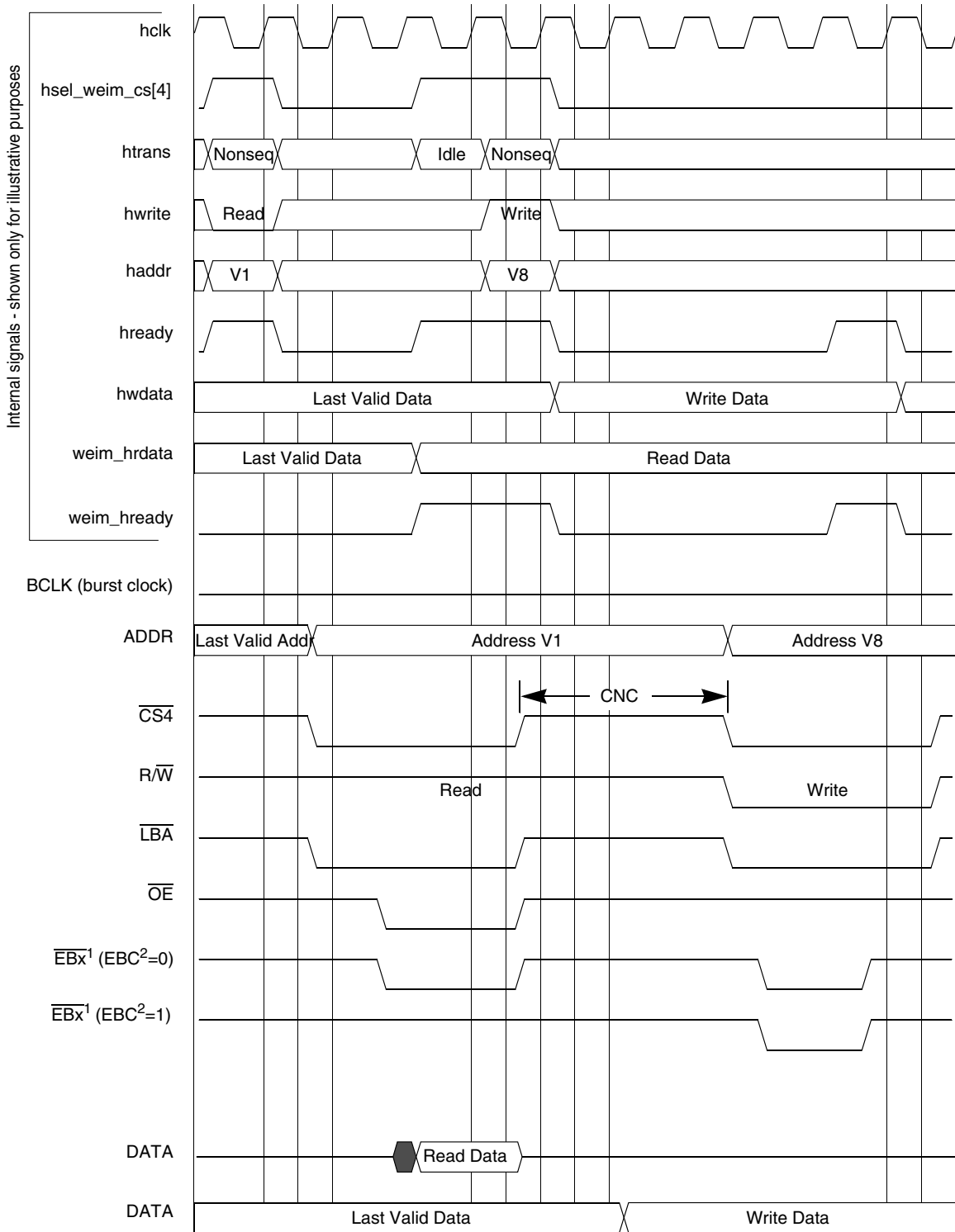
Figure 25. WSC = 3, CSA = 1, A.HALF/E.HALF



Note 1: x = 0, 1, 2 or 3

Note 2: EBC = Enable Byte Control bit (bit 11) on the Chip Select Control Register

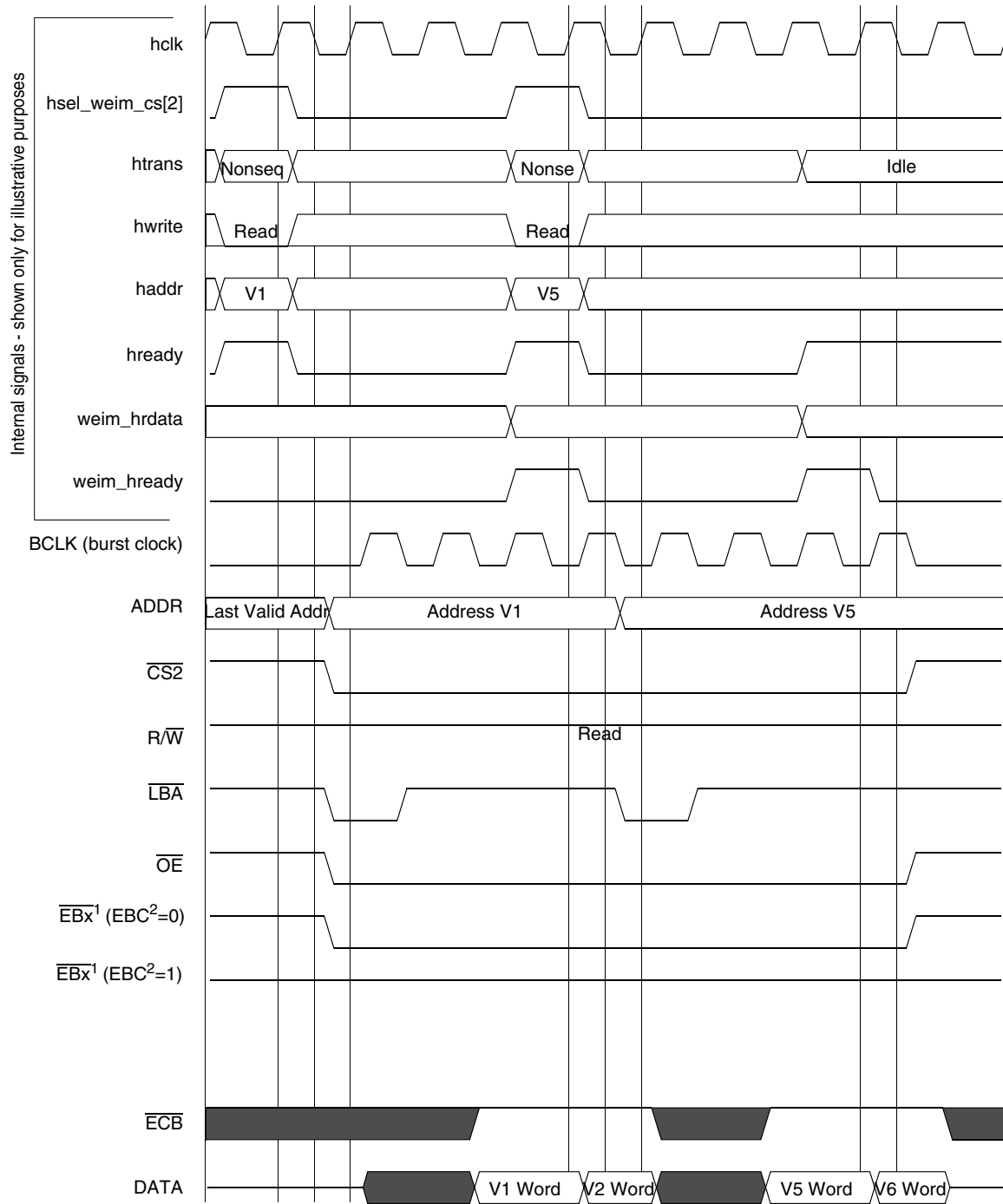
Figure 26. WSC = 2, OEA = 2, CNC = 3, BCM = 1, A.HALF/E.HALF



Note 1: x = 0, 1, 2 or 3

Note 2: EBC = Enable Byte Control bit (bit 11) on the Chip Select Control Register

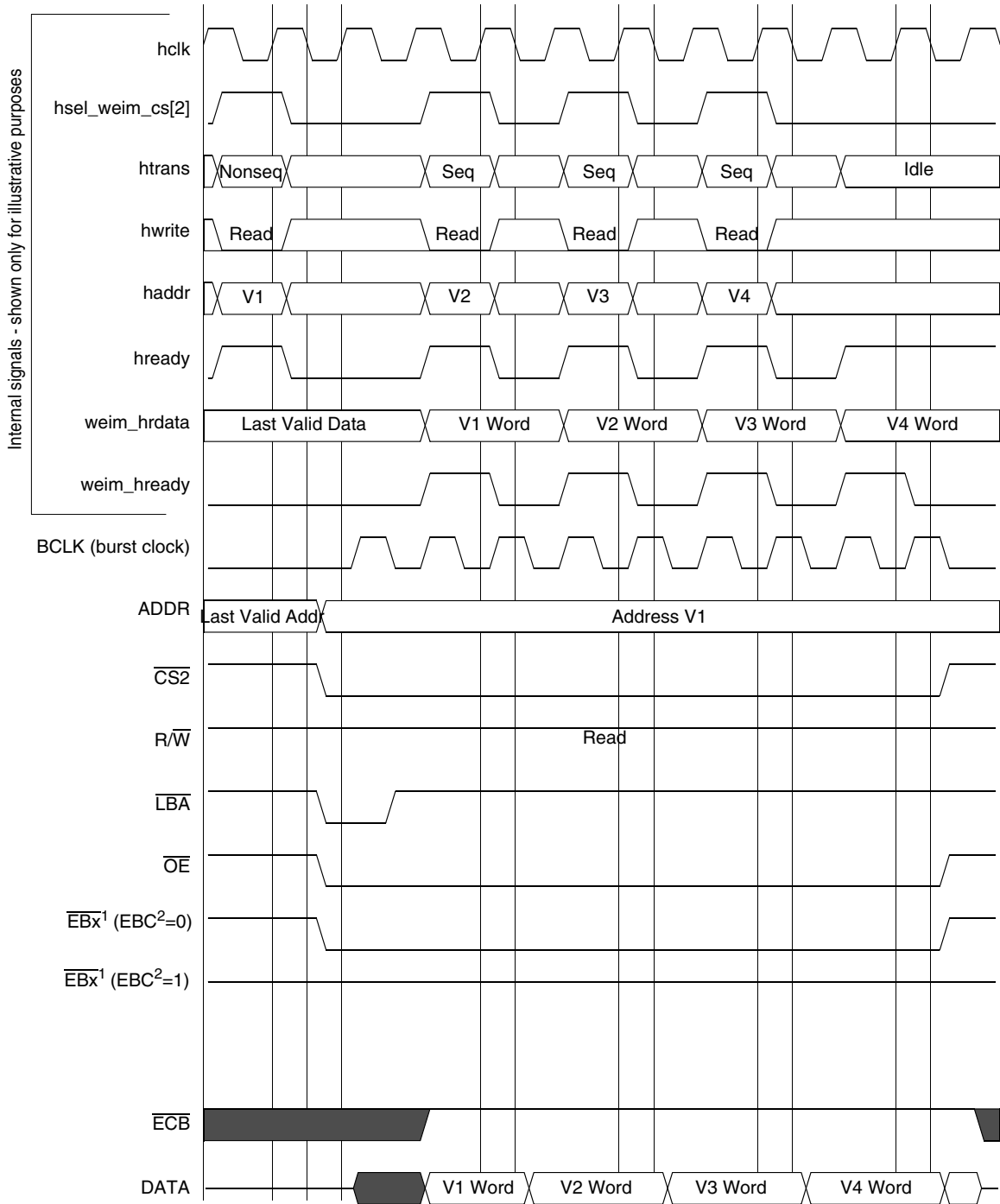
Figure 27. WSC = 2, OEA = 2, WEA = 1, WEN = 2, CNC = 3, A.HALF/E.HALF



Note 1: x = 0, 1, 2 or 3

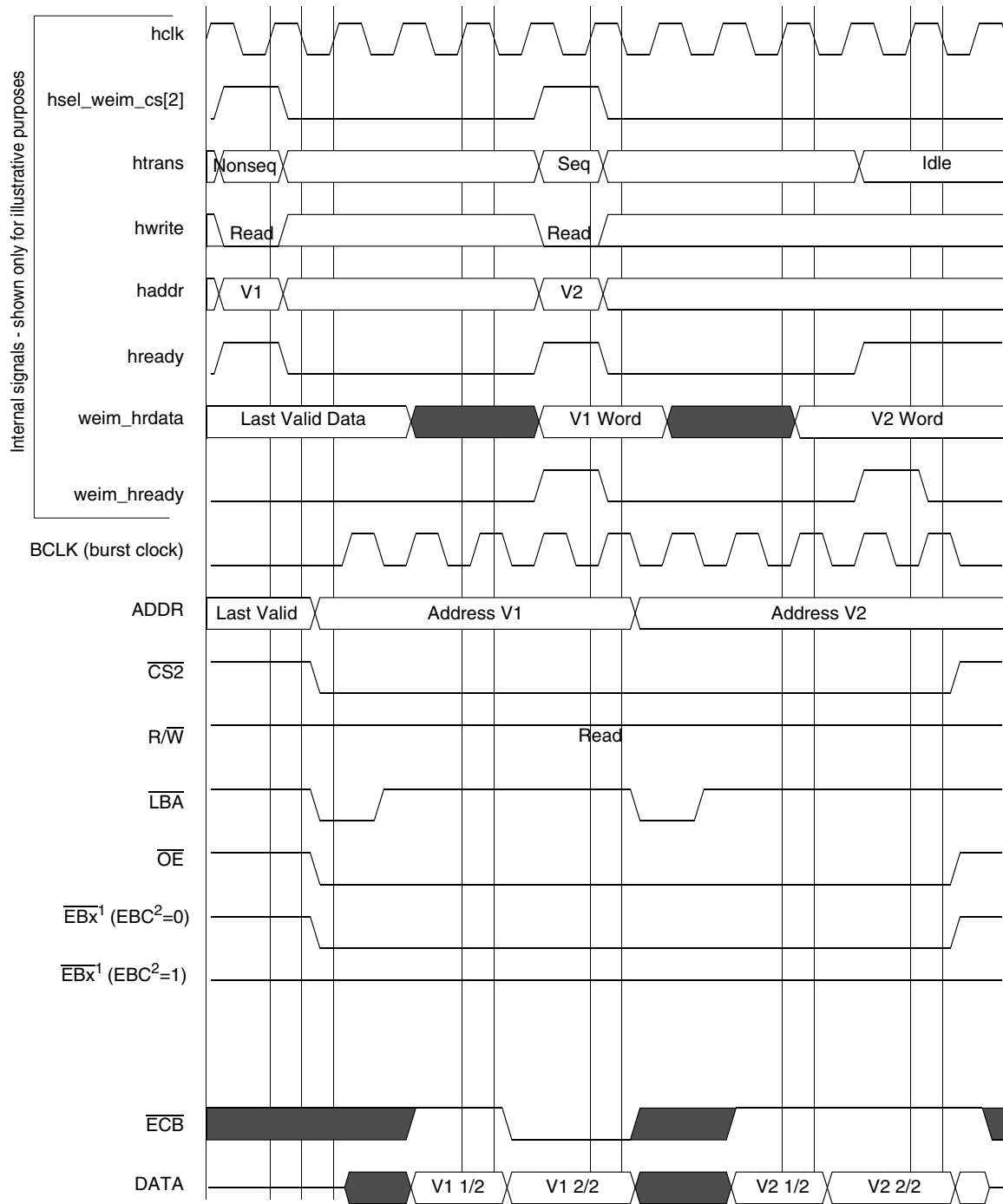
Note 2: EBC = Enable Byte Control bit (bit 11) on the Chip Select Control Register

Figure 28. WSC = 3, SYNC = 1, A.HALF/E.HALF



Note 1: x = 0, 1, 2 or 3
 Note 2: EBC = Enable Byte Control bit (bit 11) on the Chip Select Control Register

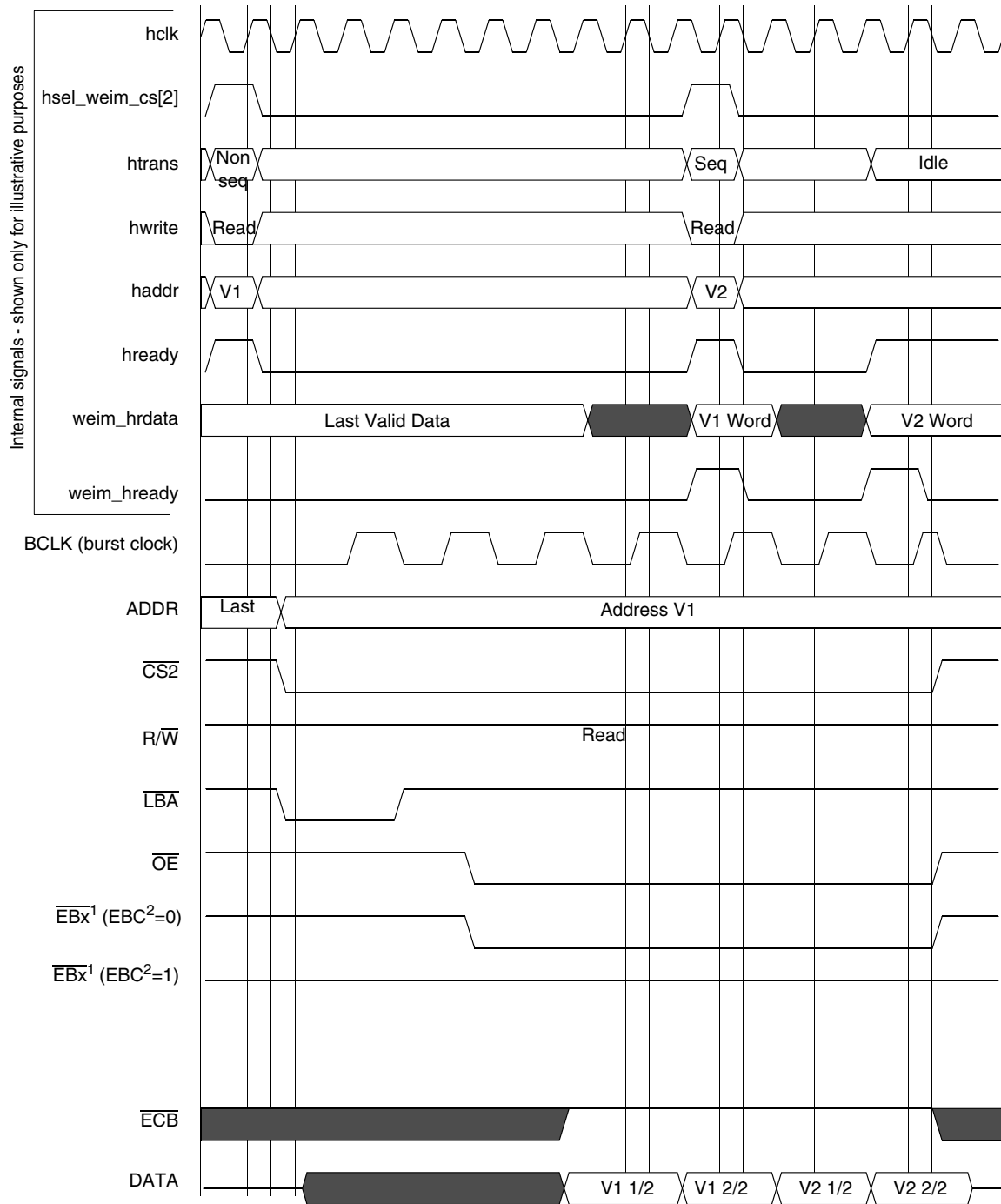
Figure 29. WSC = 2, SYNC = 1, DOL = [1/0], A.WORD/E.WORD



Note 1: x = 0, 1, 2 or 3

Note 2: EBC = Enable Byte Control bit (bit 11) on the Chip Select Control Register

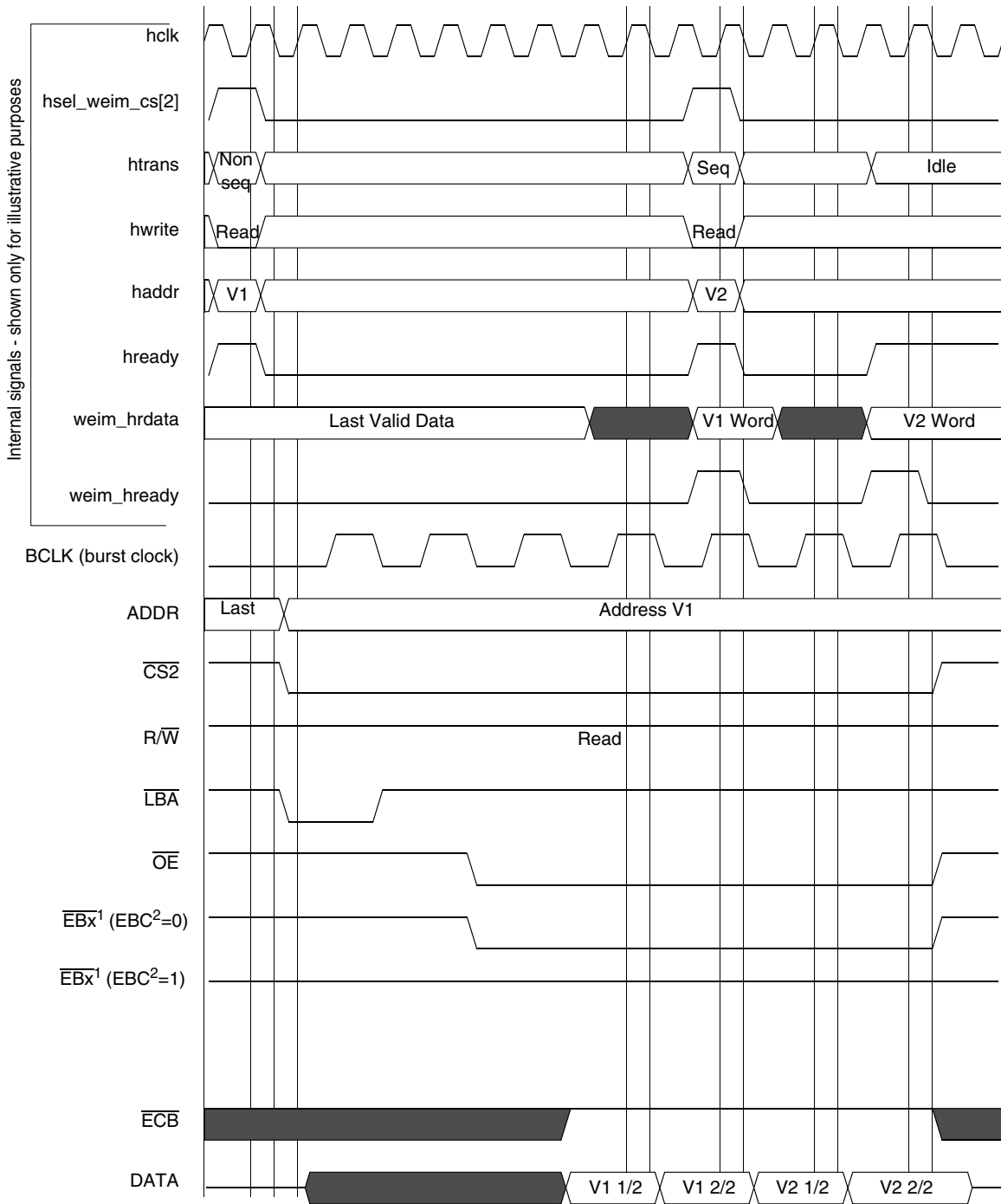
Figure 30. WSC = 2, SYNC = 1, DOL = [1/0], A.WORD/E.HALF



Note 1: x = 0, 1, 2 or 3

Note 2: EBC = Enable Byte Control bit (bit 11) on the Chip Select Control Register

Figure 31. WSC = 7, OEA = 8, SYNC = 1, DOL = 1, BCD = 1, BCS = 2, A.WORD/E.HALF



Note 1: x = 0, 1, 2 or 3

Note 2: EBC = Enable Byte Control bit (bit 11) on the Chip Select Control Register

Figure 32. WSC = 7, OEA = 8, SYNC = 1, DOL = 1, BCD = 1, BCS = 1, A.WORD/E.HALF

4.4.4 Non-TFT Panel Timing

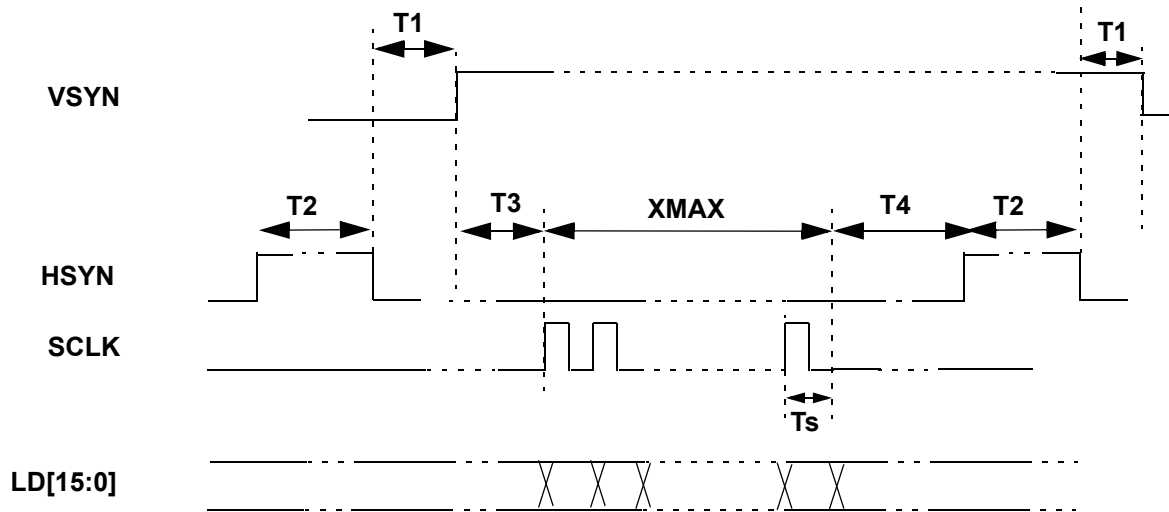


Figure 33. Non-TFT Panel Timing

Table 17. Non TFT Panel Timing Diagram

| Symbol | Parameter | Allowed Register Minimum Value ^{1, 2} | Actual Value | Unit |
|--------|---------------------------------|------------------------------------------------|-----------------------|-------------------|
| T1 | HSYN to VSYN delay ³ | 0 | HWAIT2+2 | Tpix ⁴ |
| T2 | HSYN pulse width | 0 | HWIDTH+1 | Tpix |
| T3 | VSYN to SCLK | – | $0 \leq T3 \leq Ts^5$ | – |
| T4 | SCLK to HSYN | 0 | HWAIT1+1 | Tpix |

¹ Maximum frequency of LCDC_CLK is 48 MHz, which is controlled by Peripheral Clock Divider Register.

² Maximum frequency of SCLK is HCLK / 5, otherwise LD output will be wrong.

³ VSYN, HSYN and SCLK can be programmed as active high or active low. In the above timing diagram, all these 3 signals are active high.

⁴ Tpix is the pixel clock period which equals LCDC_CLK period * (PCD + 1).

⁵ Ts is the shift clock period. $Ts = Tpix * (\text{panel data bus width})$.

4.5 Pen ADC Specifications

The specifications for the pen ADC are shown in [Table 18](#) through [Table 20](#).

Table 18. Pen ADC System Performance

| | |
|------------------------------------|---------|
| Full Range Resolution ¹ | 13 bits |
| Non-Linearity Error ¹ | 4 bits |
| Accuracy ¹ | 9 bits |

¹ Tested under input = 0~1.8V at 25°C

Table 19. Pen ADC Test Conditions

| | | | |
|-------------------------------|---------|-----------|-------------|
| Vp max | 1800 mV | ip max | +7 μ A |
| Vp min | GND | ip min | 1.5 μ A |
| Vn | GND | in | 1.5 μ A |
| Sample frequency | | 12 MHz | |
| Sample rate | | 1.2 KHz | |
| Input frequency | | 100 Hz | |
| Input range | | 0–1800 mV | |
| Note: Ru1 = Ru2 = 200K | | | |

Table 20. Pen ADC Absolute Rating

| | |
|--------|--------------|
| ip max | +9.5 μ A |
| ip min | -2.5 μ A |
| in max | +9.5 μ A |
| in min | -2.5 μ A |

4.6 ASP Touch Panel Controller

The following sections contain the electrical specifications of the ASP touch panel controller. The value of parameters and their corresponding measuring conditions are mentioned as well.

4.6.1 Electrical Specifications

Test conditions: Temperature = 25° C, QVDD = 1800mV.

Table 21. ASP Touch Panel Controller Electrical Spec

| Parameter | Minimum | Typical | Maximum | Unit |
|-----------------------------------|---------------|---------|---------|------------------|
| Offset | – | 32768 | – | – |
| Offset Error | – | – | 8199 | – |
| Gain | – | 13.65 | – | mV ⁻¹ |
| Gain Error | – | – | 33% | – |
| DNL | 8 | 9 | – | Bits |
| INL | – | 0 | – | Bits |
| Accuracy (without missing code) | 8 | 9 | – | Bits |
| Operating Voltage Range (Pen) | – | – | QVDD | mV |
| Operating Voltage Range (U) | Negative QVDD | – | QVDD | mV |
| On-resistance of switches SW[8:1] | – | 10 | – | Ohm |

Note that QVDD should be 1800mV.

4.6.2 Gain Calculations

The ideal mapping of input voltage to output digital sample is defined as follows:

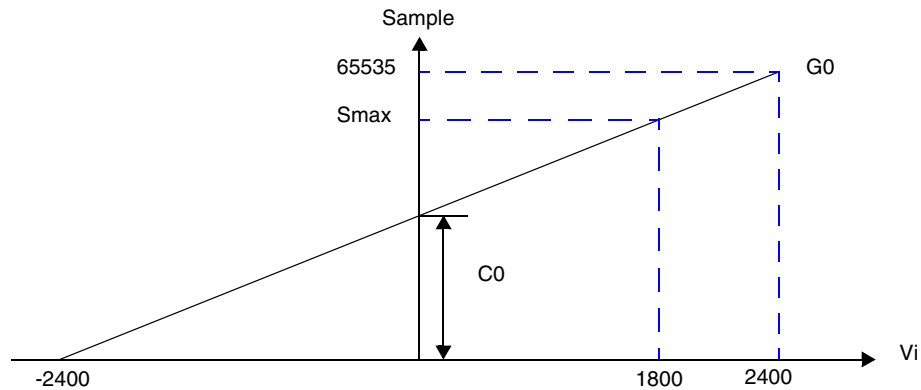


Figure 34. Gain Calculations

In general, the mapping function is:

$$S = G * V + C$$

Where V is input, S is output, G is the slope, and C is the y-intercept.

$$\text{Nominal Gain } G_0 = 65535 / 4800 = 13.65\text{mV}^{-1}$$

$$\text{Nominal Offset } C_0 = 65535 / 2 = 32767$$

4.6.3 Offset Calculations

The ideal mapping of input voltage to output digital sample is defined as:

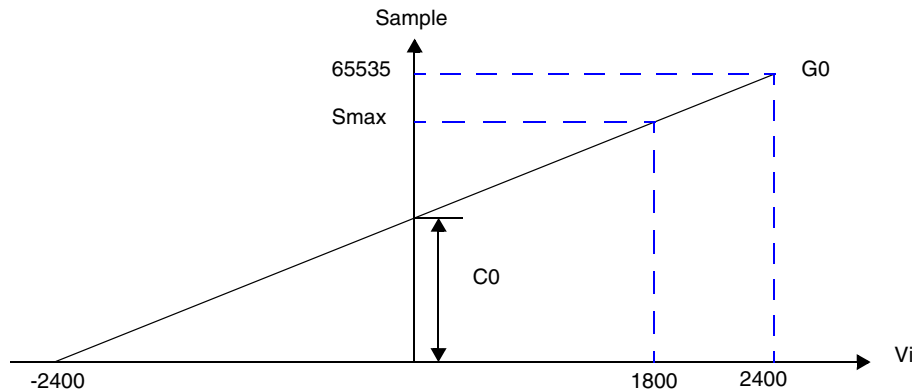


Figure 35. Offset Calculations

In general, the mapping function is:

$$S = G * V + C$$

Where V is input, S is output, G is the slope, and C is the y-intercept.

$$\text{Nominal Gain } G_0 = 65535 / 4800 = 13.65\text{mV}^{-1}$$

$$\text{Nominal Offset } C_0 = 65535 / 2 = 32767$$

4.6.4 Gain Error Calculations

Gain error calculations are made using the information in this section.

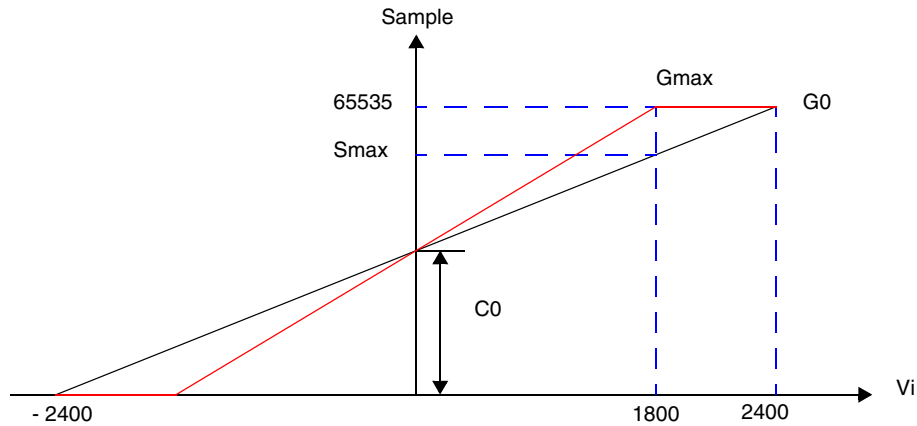


Figure 36. Gain Error Calculations

Assuming the offset remains unchanged, the mapping is rotated around y-intercept to determine the maximum gain allowed. This occurs when the sample at 1800mV has just reached the ceiling of the 16-bit range, 65535.

Maximum Offset G_{max} ,

$$\begin{aligned}
 G_{max} &= (65535 - C_0) / 1800 \\
 &= (65535 - 32767) / 1800 \\
 &= 18.20
 \end{aligned}$$

Gain Error G_r ,

$$\begin{aligned}
 G_r &= (G_{max} - G_0) / G_0 * 100\% \\
 &= (18.20 - 13.65) / 13.65 * 100\% \\
 &= 33\%
 \end{aligned}$$

4.7 Bluetooth Accelerator

CAUTION

On-chip accelerator hardware is not supported by software. An external Bluetooth chip interfaced to a UART is recommended.

The Bluetooth Accelerator (BTA) radio interface supports the Wireless RF Transceiver, MC13180 using an SPI interface. This section provides the data bus timing diagrams and SPI interface timing diagrams shown in [Figure 37](#) and [Figure 38](#), and the associated parameters shown in [Table 22](#) and [Table 23](#).

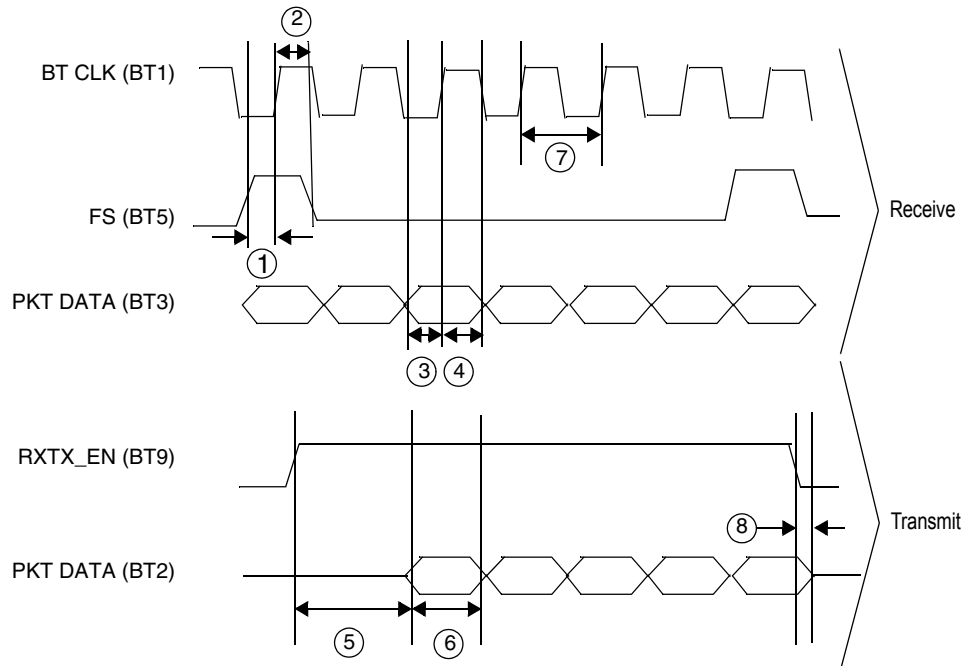


Figure 37. MC13180 Data Bus Timing Diagram

Table 22. MC13180 Data Bus Timing Parameter Table

| Ref No. | Parameter | Minimum | Typical | Maximum | Unit |
|---------|-----------------------------------------------------------------------|---------------|---------|---------|------|
| 1 | FrameSync setup time relative to BT CLK rising edge ¹ | – | 4 | – | ns |
| 2 | FrameSync hold time relative to BT CLK rising edge ¹ | – | 12 | – | ns |
| 3 | Receive Data setup time relative to BT CLK rising edge ¹ | – | 6 | – | ns |
| 4 | Receive Data hold time relative to BT CLK rising edge ¹ | – | 13 | – | ns |
| 5 | Transmit Data setup time relative to RXTX_EN rising edge ² | 172.5 | – | 192.5 | μs |
| 6 | TX DATA period | 1000 +/- 0.02 | | | ns |
| 7 | BT CLK duty cycle | 40 | – | 60 | % |
| 8 | Transmit Data hold time relative to RXTX_EN falling edge | 4 | – | 10 | μs |

¹ Please refer to 2.4 GHz RF Transceiver Module (MC13180) Technical Data documentation.

² The setup and hold times of RX_TX_EN can be adjusted by programming Time_A_B register (0x00216050) and RF_Status (0x0021605C) registers.

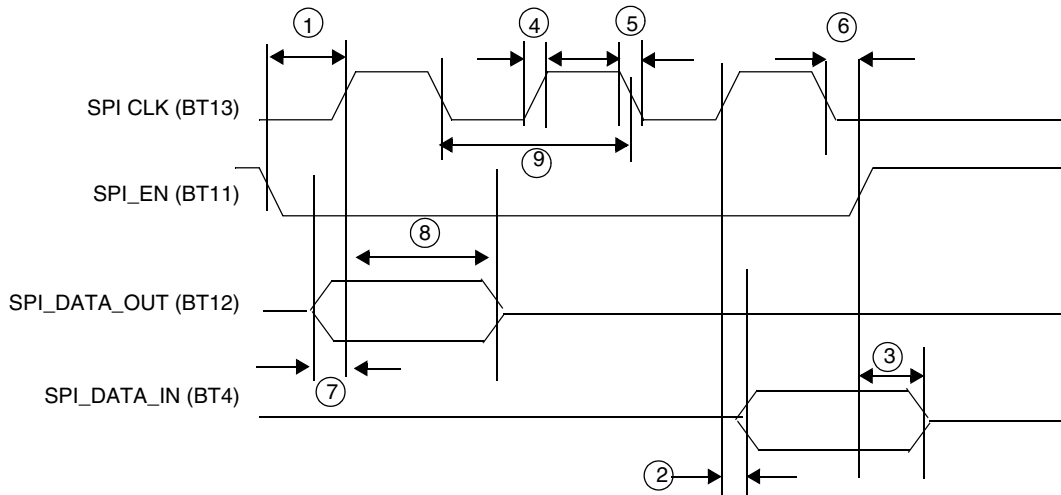


Figure 38. SPI Interface Timing Diagram Using MC13180

Table 23. SPI Interface Timing Parameter Table Using MC13180

| Ref No. | Parameter | Minimum | Maximum | Unit |
|---------|--------------------------------------------------------------------------|---------|---------|------|
| 1 | SPI_EN setup time relative to rising edge of SPI_CLK | 15 | – | ns |
| 2 | Transmit data delay time relative to rising edge of SPI_CLK | 0 | 15 | ns |
| 3 | Transmit data hold time relative to rising edge of SPI_EN | 0 | 15 | ns |
| 4 | SPI_CLK rise time | 0 | 25 | ns |
| 5 | SPI_CLK fall time | 0 | 25 | ns |
| 6 | SPI_EN hold time relative to falling edge of SPI_CLK | 15 | – | ns |
| 7 | Receive data setup time relative to falling edge of SPI_CLK ¹ | 15 | – | ns |
| 8 | Receive data hold time relative to falling edge of SPI_CLK ¹ | 15 | – | ns |
| 9 | SPI_CLK frequency, 50% duty cycle required ¹ | – | 20 | MHz |

¹ The SPI_CLK clock frequency and duty cycle, setup and hold times of receive data can be set by programming SPI_Control (0x00216138) register together with system clock.

4.8 SPI Timing Diagrams

To use the internal transmit (TX) and receive (RX) data FIFOs when the SPI 1 module is configured as a master, two control signals are used for data transfer rate control: the \overline{SS} signal (output) and the $\overline{SPI_RDY}$ signal (input). The SPI1 Sample Period Control Register (PERIODREG1) and the SPI2 Sample Period Control Register (PERIODREG2) can also be programmed to a fixed data transfer rate for either SPI 1 or SPI 2. When the SPI 1 module is configured as a slave, the user can configure the SPI1 Control Register (CONTROLREG1) to match the external SPI master's timing. In this configuration, \overline{SS} becomes an input signal, and is used to latch data into or load data out to the internal data shift registers, as well as to increment the data FIFO. Figure 39 through Figure 43 show the timing relationship of the master SPI using different triggering mechanisms.

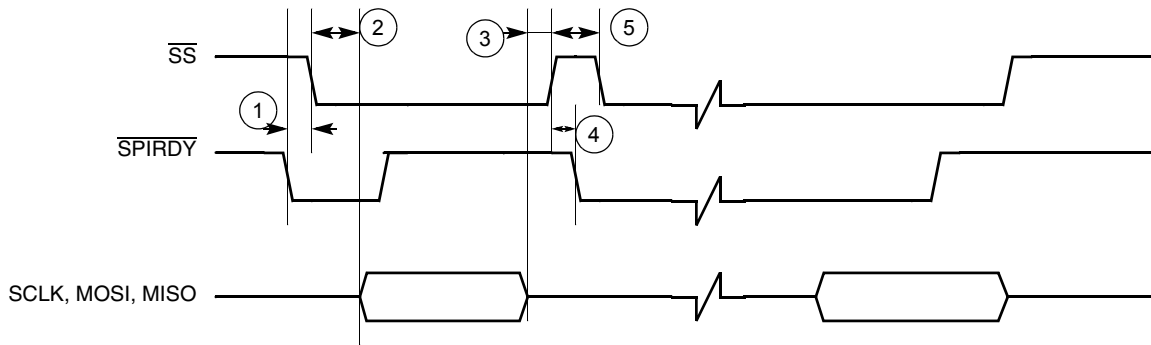


Figure 39. Master SPI Timing Diagram Using $\overline{\text{SPI_RDY}}$ Edge Trigger

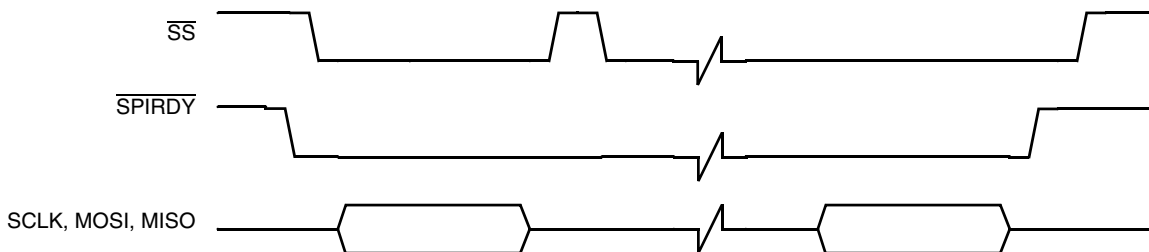


Figure 40. Master SPI Timing Diagram Using $\overline{\text{SPI_RDY}}$ Level Trigger

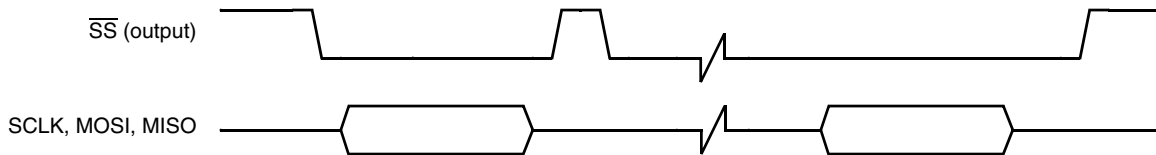


Figure 41. Master SPI Timing Diagram Ignore $\overline{\text{SPI_RDY}}$ Level Trigger

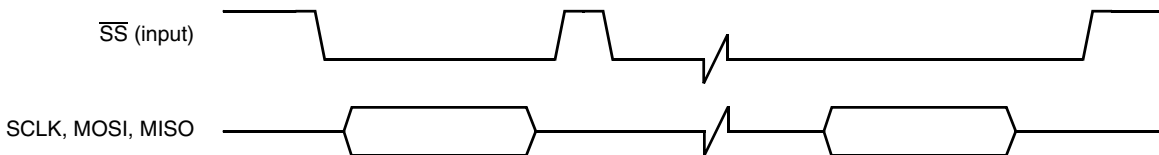


Figure 42. Slave SPI Timing Diagram FIFO Advanced by BIT COUNT

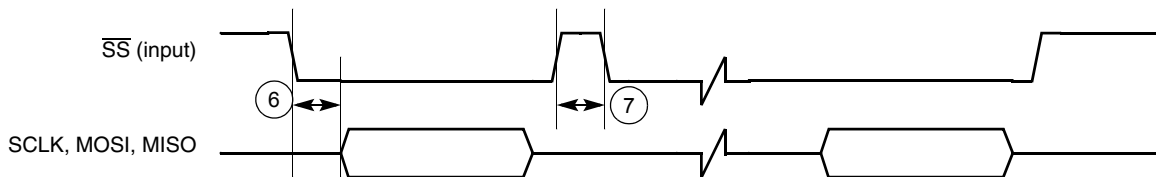


Figure 43. Slave SPI Timing Diagram FIFO Advanced by $\overline{\text{SS}}$ Rising Edge

Table 24. Timing Parameter Table for Figure 39 through Figure 43

| Ref No. | Parameter | 3.0 ± 0.3 V | | Unit |
|---------|------------------------------------------------------------------------|-----------------------------------|---------|------|
| | | Minimum | Maximum | |
| 1 | $\overline{\text{SPI_RDY}}$ to $\overline{\text{SS}}$ output low | $2T^1$ | – | ns |
| 2 | $\overline{\text{SS}}$ output low to first SCLK edge | $3 \cdot T_{\text{sclk}}^2$ | – | ns |
| 3 | Last SCLK edge to $\overline{\text{SS}}$ output high | $2 \cdot T_{\text{sclk}}$ | – | ns |
| 4 | $\overline{\text{SS}}$ output high to $\overline{\text{SPI_RDY}}$ low | 0 | – | ns |
| 5 | $\overline{\text{SS}}$ output pulse width | $T_{\text{sclk}} + \text{WAIT}^3$ | – | ns |
| 6 | $\overline{\text{SS}}$ input low to first SCLK edge | T | – | ns |
| 7 | $\overline{\text{SS}}$ input pulse width | T | – | ns |

¹ T = CSPI system clock period (PERCLK2).

² T_{sclk} = Period of SCLK.

³ WAIT = Number of bit clocks (SCLK) or 32.768 kHz clocks per Sample Period Control Register.

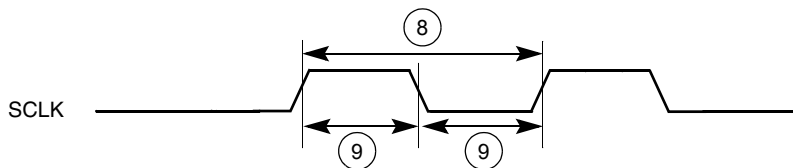


Figure 44. SPI SCLK Timing Diagram

Table 25. Timing Parameter Table for SPI SCLK

| Ref No. | Parameter | 3.0 ± 0.3 V | | Unit |
|---------|------------------|-------------|---------|------|
| | | Minimum | Maximum | |
| 8 | SCLK frequency | 0 | 10 | MHz |
| 9 | SCLK pulse width | 100 | – | ns |

4.9 LCD Controller

This section includes timing diagrams for the LCD controller. For detailed timing diagrams of the LCD controller with various display configurations, refer to the LCD controller chapter of the *MC9328MX1 Reference Manual*.

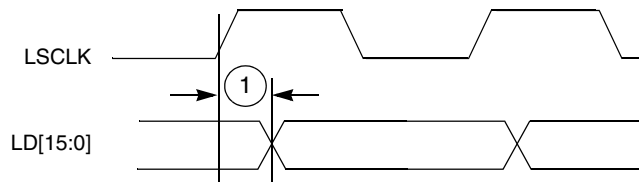


Figure 45. SCLK to LD Timing Diagram

Table 26. LCDC SCLK Timing Parameter Table

| Ref No. | Parameter | 3.0 ± 0.3 V | | Unit |
|---------|------------------|-------------|---------|------|
| | | Minimum | Maximum | |
| 1 | SCLK to LD valid | – | 2 | ns |

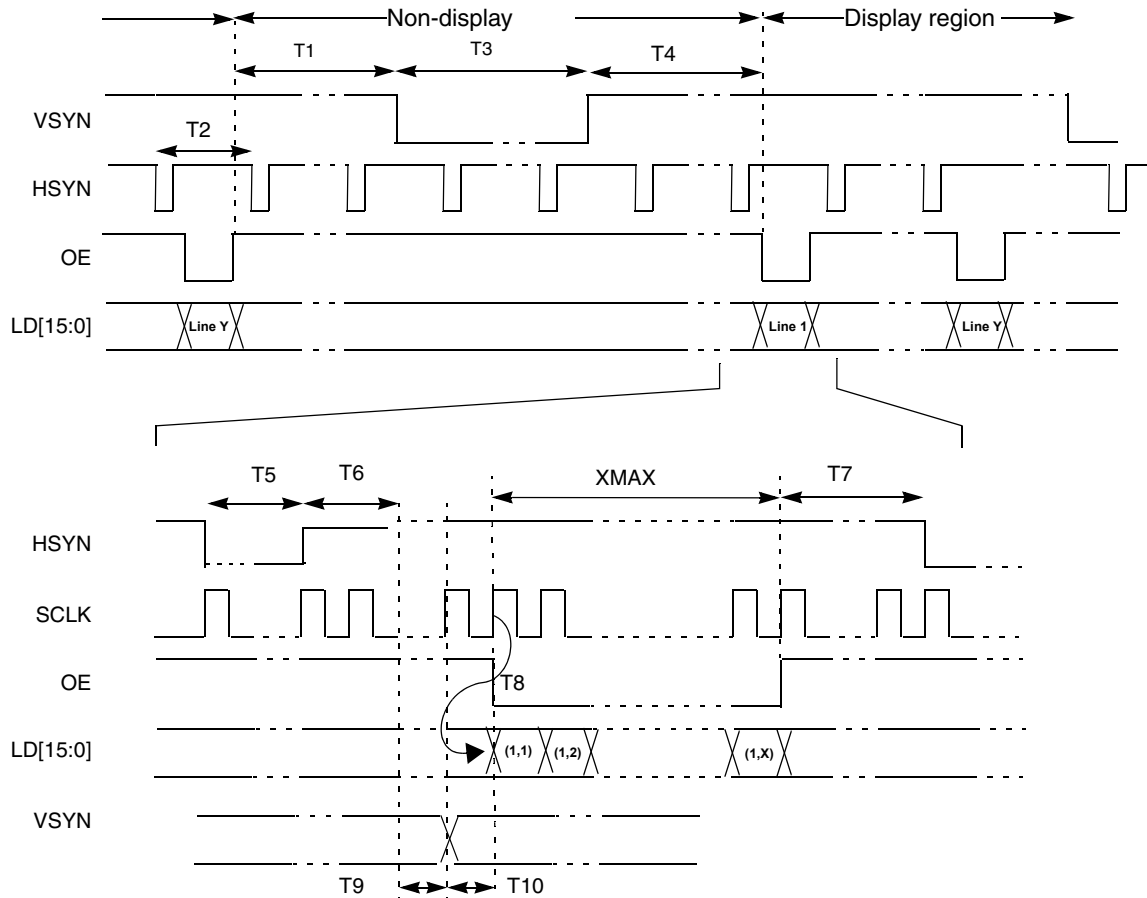


Figure 46. 4/8/16 Bit/Pixel TFT Color Mode Panel Timing

Table 27. 4/8/16 Bit/Pixel TFT Color Mode Panel Timing

| Symbol | Description | Minimum | Corresponding Register Value | Unit |
|--------|--------------------------------|---------------|------------------------------|------|
| T1 | End of OE to beginning of VSYN | $T5+T6+T7+T9$ | $(VWAIT1-T2)+T5+T6+T7+T9$ | Ts |
| T2 | HSYN period | $XMAX+5$ | $XMAX+T5+T6+T7+T9+T10$ | Ts |
| T3 | VSYN pulse width | T2 | $VWIDTH-(T2)$ | Ts |
| T4 | End of VSYN to beginning of OE | 2 | $VWAIT2-(T2)$ | Ts |
| T5 | HSYN pulse width | 1 | $HWIDTH+1$ | Ts |
| T6 | End of HSYN to beginning to T9 | 1 | $HWAIT2+1$ | Ts |
| T7 | End of OE to beginning of HSYN | 1 | $HWAIT1+1$ | Ts |

Table 27. 4/8/16 Bit/Pixel TFT Color Mode Panel Timing (Continued)

| Symbol | Description | Minimum | Corresponding Register Value | Unit |
|--------|------------------------------------------------------------|---------|------------------------------|------|
| T8 | SCLK to valid LD data | -3 | 3 | ns |
| T9 | End of HSYN idle2 to VSYN edge (for non-display region) | 2 | 2 | Ts |
| T9 | End of HSYN idle2 to VSYN edge (for Display region) | 1 | 1 | Ts |
| T10 | VSYN to OE active (Sharp = 0) when VWAIT2 = 0 | 1 | 1 | Ts |
| T10 | VSYN to OE active (Sharp = 1) when VWAIT2 = 0 | 2 | 2 | Ts |

Note:

- Ts is the SCLK period which equals $LCDC_CLK / (PCD + 1)$. Normally $LCDC_CLK = 15ns$.
- VSYN, HSYN and OE can be programmed as active high or active low. In Figure 46, all 3 signals are active low.
- The polarity of SCLK and LD[15:0] can also be programmed.
- SCLK can be programmed to be deactivated during the VSYN pulse or the OE deasserted period. In Figure 46, SCLK is always active.
- For T9 non-display region, VSYN is non-active. It is used as an reference.
- XMAX is defined in pixels.

4.10 Multimedia Card/Secure Digital Host Controller

The DMA interface block controls all data routing between the external data bus (DMA access), internal MMC/SD module data bus, and internal system FIFO access through a dedicated state machine that monitors the status of FIFO content (empty or full), FIFO address, and byte/block counters for the MMC/SD module (inner system) and the application (user programming).

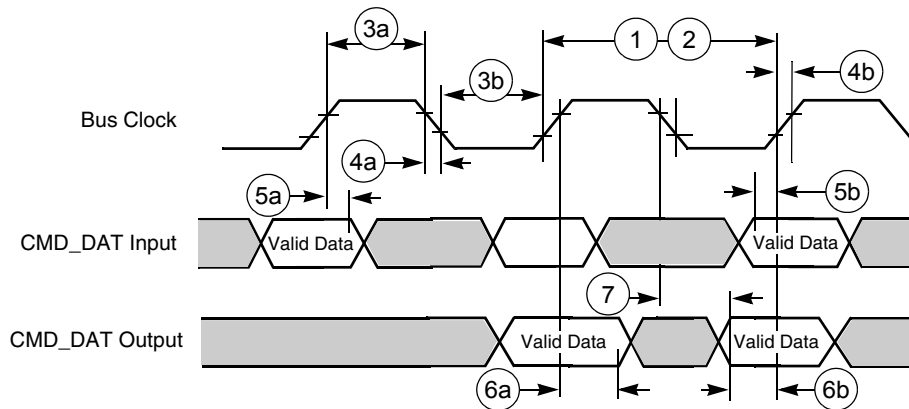


Figure 47. Chip-Select Read Cycle Timing Diagram

Table 28. SDHC Bus Timing Parameter Table

| Ref No. | Parameter | 1.8 ± 0.1 V | | 3.0 ± 0.3 V | | Unit |
|---------|--------------------------------------------------------------------|-------------|------------------------------|-------------|---------|------|
| | | Minimum | Maximum | Minimum | Maximum | |
| 1 | CLK frequency at Data transfer Mode (PP) ¹ —10/30 cards | 0 | 25/5 | 0 | 25/5 | MHz |
| 2 | CLK frequency at Identification Mode ² | 0 | 400 | 0 | 400 | kHz |
| 3a | Clock high time ¹ —10/30 cards | 6/33 | – | 10/50 | – | ns |
| 3b | Clock low time ¹ —10/30 cards | 15/75 | – | 10/50 | – | ns |
| 4a | Clock fall time ¹ —10/30 cards | – | 10/50 (5.00) ³ | – | 10/50 | ns |
| 4b | Clock rise time ¹ —10/30 cards | – | 14/67 (6.67) ³ | – | 10/50 | ns |
| 5a | Input hold time ³ —10/30 cards | 10.3/10.3 | – | 9/9 | – | ns |
| 5b | Input setup time ³ —10/30 cards | 10.3/10.3 | – | 9/9 | – | ns |
| 6a | Output hold time ³ —10/30 cards | 5.7/5.7 | – | 5/5 | – | ns |
| 6b | Output setup time ³ —10/30 cards | 5.7/5.7 | – | 5/5 | – | ns |
| 7 | Output delay time ³ | 0 | 16 | 0 | 14 | ns |

¹ $C_L \leq 100$ pF / 250 pF (10/30 cards)

² $C_L \leq 250$ pF (21 cards)

³ $C_L \leq 25$ pF (1 card)

4.10.1 Command Response Timing on MMC/SD Bus

The card identification and card operation conditions timing are processed in open-drain mode. The card response to the host command starts after exactly N_{ID} clock cycles. For the card address assignment, SET_RCA is also processed in the open-drain mode. The minimum delay between the host command and card response is NCR clock cycles as illustrated in Figure 48. The symbols for Figure 48 through Figure 52 are defined in Table 29.

Table 29. State Signal Parameters for Figure 48 through Figure 52

| Card Active | | Host Active | |
|-------------|---------------------------------------|-------------|--------------------------------------|
| Symbol | Definition | Symbol | Definition |
| Z | High impedance state | S | Start bit (0) |
| D | Data bits | T | Transmitter bit (Host = 1, Card = 0) |
| * | Repetition | P | One-cycle pull-up (1) |
| CRC | Cyclic redundancy check bits (7 bits) | E | End bit (1) |

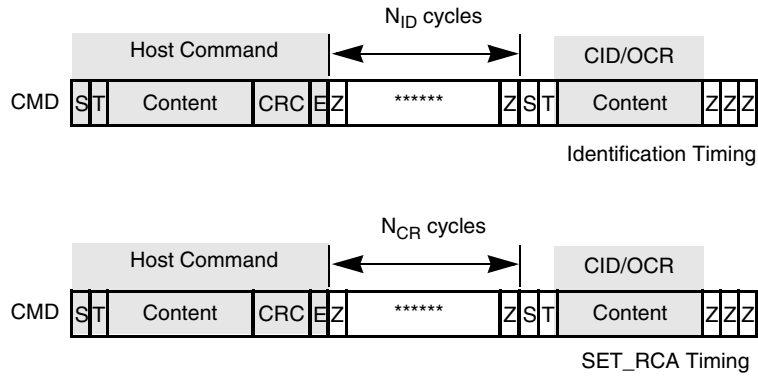


Figure 48. Timing Diagrams at Identification Mode

After a card receives its RCA, it switches to data transfer mode. As shown on the first diagram in [Figure 49](#), SD_CMD lines in this mode are driven with push-pull drivers. The command is followed by a period of two Z bits (allowing time for direction switching on the bus) and then by P bits pushed up by the responding card. The other two diagrams show the separating periods N_{RC} and N_{CC} .

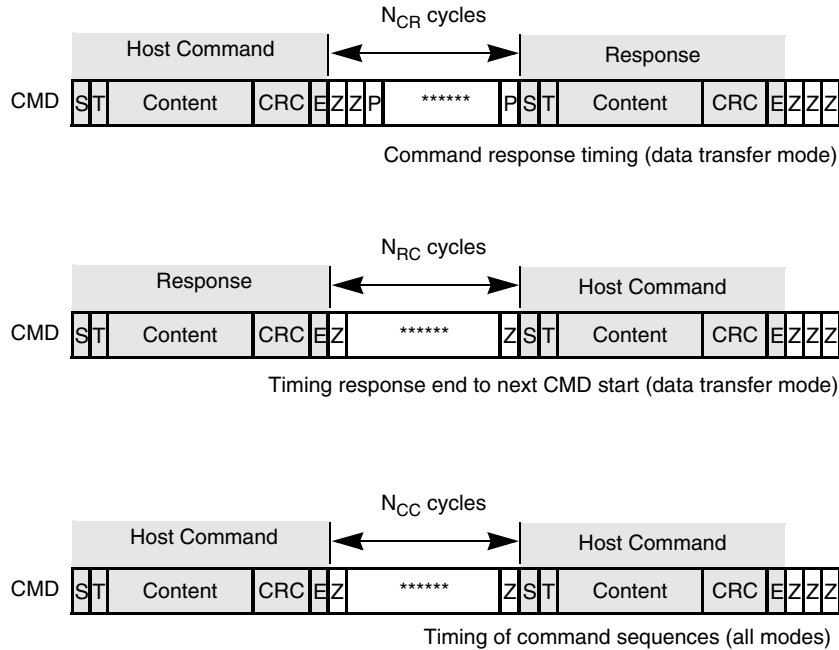


Figure 49. Timing Diagrams at Data Transfer Mode

[Figure 50](#) shows basic read operation timing. In a read operation, the sequence starts with a single block read command (which specifies the start address in the argument field). The response is sent on the SD_CMD lines as usual. Data transmission from the card starts after the access time delay N_{AC} , beginning from the last bit of the read command. If the system is in multiple block read mode, the card sends a continuous flow of data blocks with distance N_{AC} until the card sees a stop transmission command. The data stops two clock cycles after the end bit of the stop command.

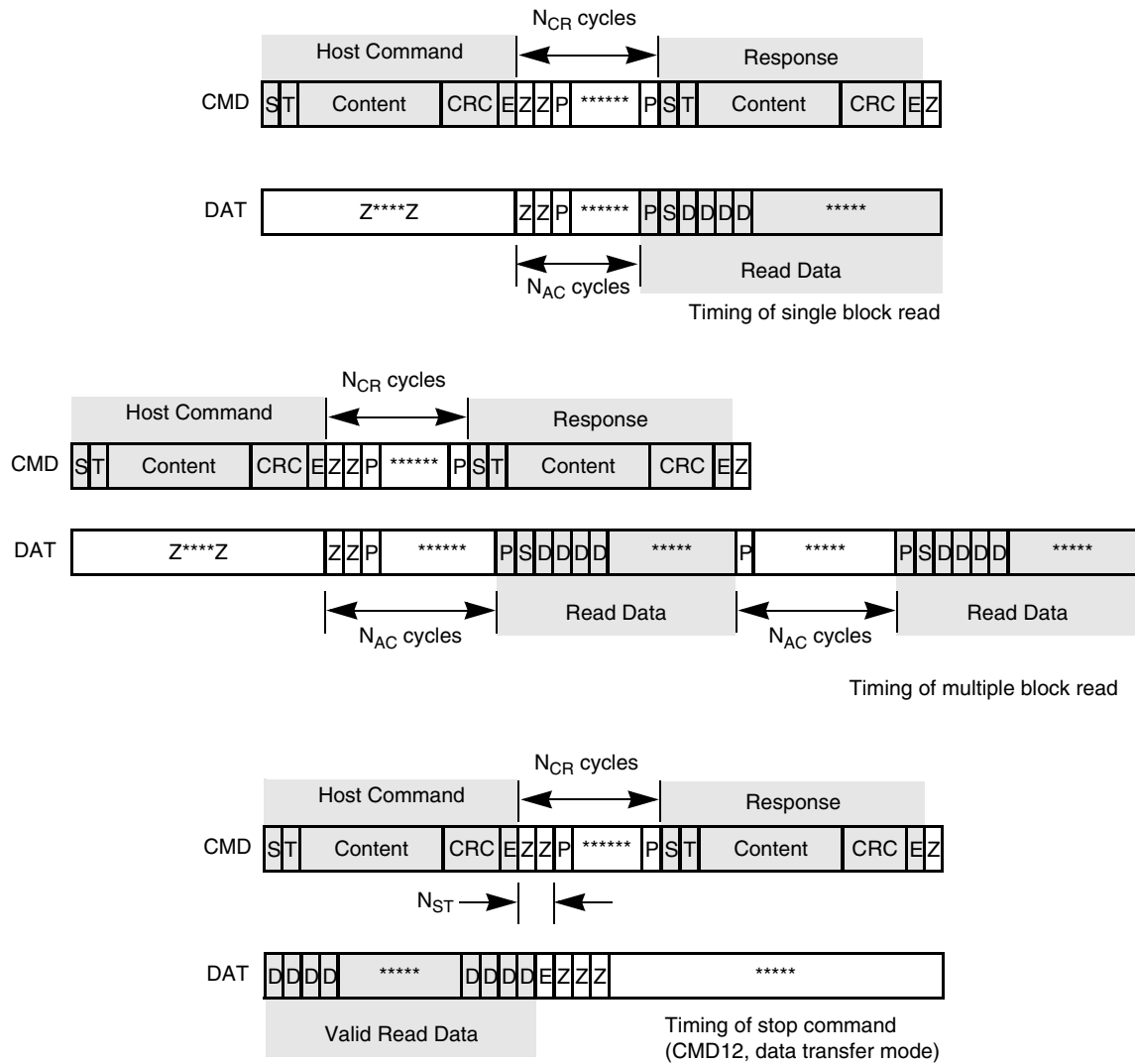


Figure 50. Timing Diagrams at Data Read

Figure 51 shows the basic write operation timing. As with the read operation, after the card response, the data transfer starts after N_{WR} cycles. The data is suffixed with CRC check bits to allow the card to check for transmission errors. The card sends back the CRC check result as a CC status token on the data line. If there was a transmission error, the card sends a negative CRC status (101); otherwise, a positive CRC status (010) is returned. The card expects a continuous flow of data blocks if it is configured to multiple block mode, with the flow terminated by a stop transmission command.

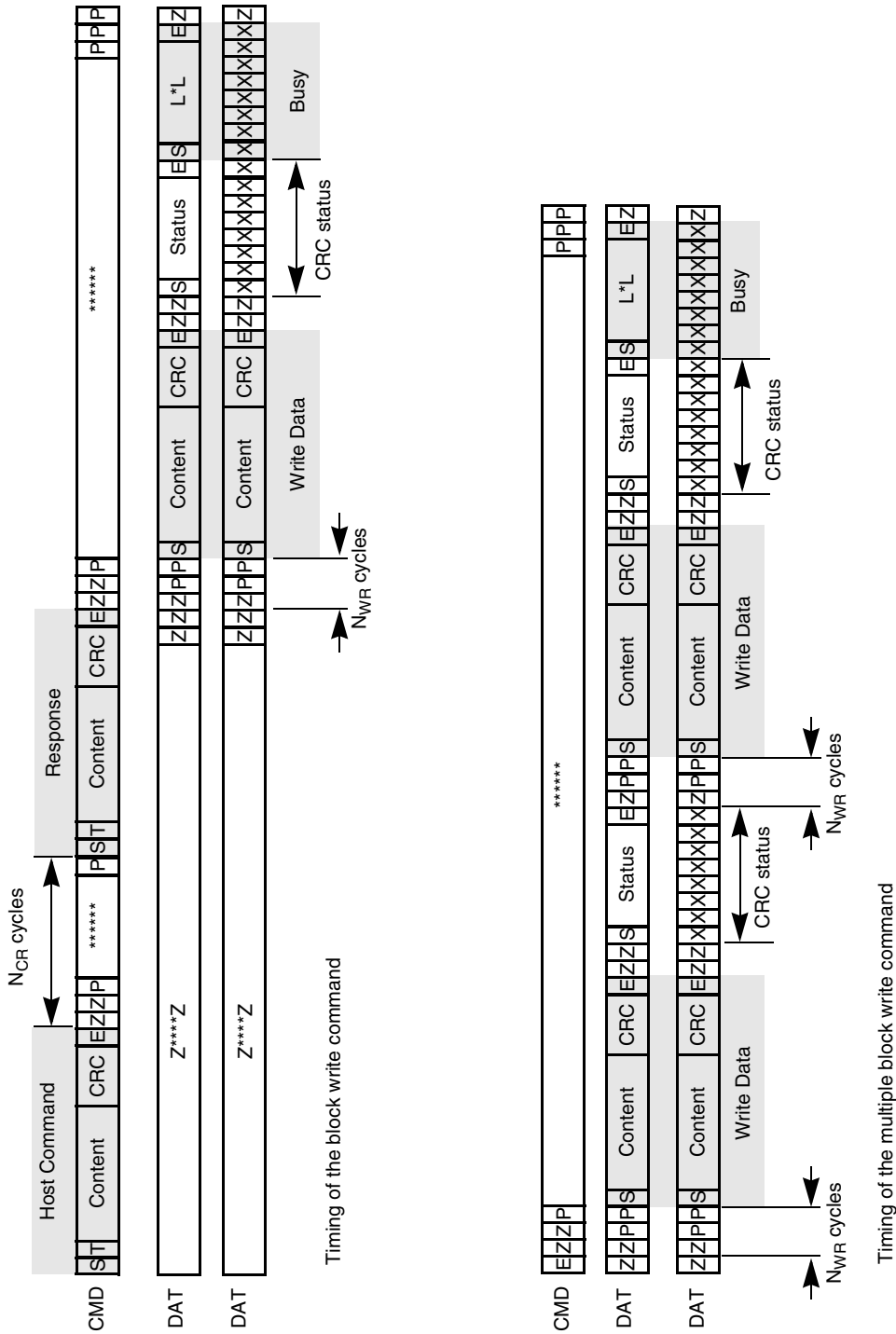


Figure 51. Timing Diagrams at Data Write

The stop transmission command may occur when the card is in different states. Figure 52 shows the different scenarios on the bus.

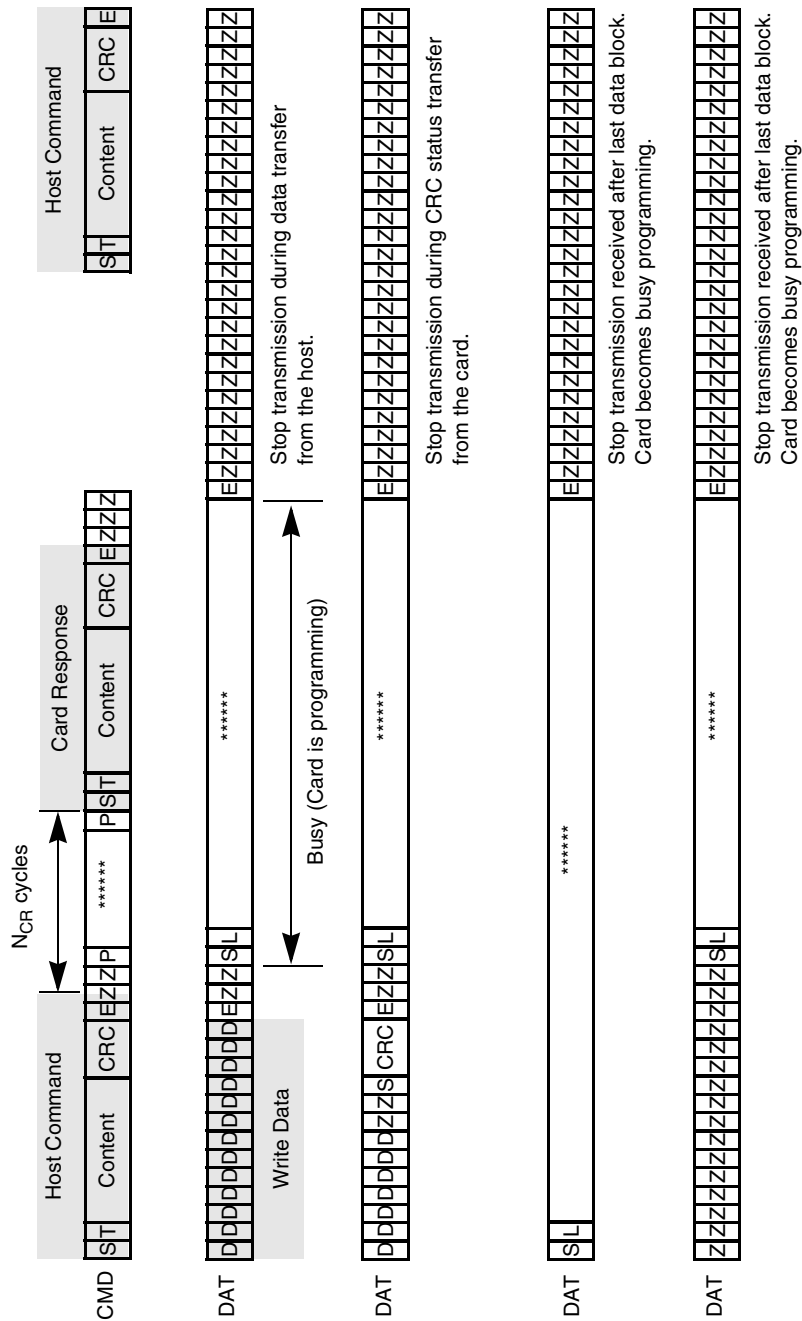


Figure 52. Stop Transmission During Different Scenarios

Table 30. Timing Values for Figure 48 through Figure 52

| Parameter | Symbol | Minimum | Maximum | Unit |
|------------------------------------------------------------------------------------|--------|---------|-------------|--------------|
| MMC/SD bus clock, CLK (All values are referred to minimum (VIH) and maximum (VIL)) | | | | |
| Command response cycle | NCR | 2 | 64 | Clock cycles |
| Identification response cycle | NID | 5 | 5 | Clock cycles |
| Access time delay cycle | NAC | 2 | TAAC + NSAC | Clock cycles |

Table 30. Timing Values for Figure 48 through Figure 52 (Continued)

| Parameter | Symbol | Minimum | Maximum | Unit |
|----------------------------------------------------------------------------------------------|--------|---------|---------|--------------|
| Command read cycle | NRC | 8 | – | Clock cycles |
| Command-command cycle | NCC | 8 | – | Clock cycles |
| Command write cycle | NWR | 2 | – | Clock cycles |
| Stop transmission cycle | NST | 2 | 2 | Clock cycles |
| TAAC: Data read access time -1 defined in CSD register bit[119:112] | | | | |
| NSAC: Data read access time -2 in CLK cycles (NSAC:100) defined in CSD register bit[111:104] | | | | |

4.10.2 SDIO-IRQ and ReadWait Service Handling

In SDIO, there is a 1-bit or 4-bit interrupt response from the SDIO peripheral card. In 1-bit mode, the interrupt response is simply that the SD_DAT[1] line is held low. The SD_DAT[1] line is not used as data in this mode. The memory controller generates an interrupt according to this low and the system interrupt continues until the source is removed (SD_DAT[1] returns to its high level).

In 4-bit mode, the interrupt is less simple. The interrupt triggers at a particular period called the “Interrupt Period” during the data access, and the controller must sample SD_DAT[1] during this short period to determine the IRQ status of the attached card. The interrupt period only happens at the boundary of each block (512 bytes).

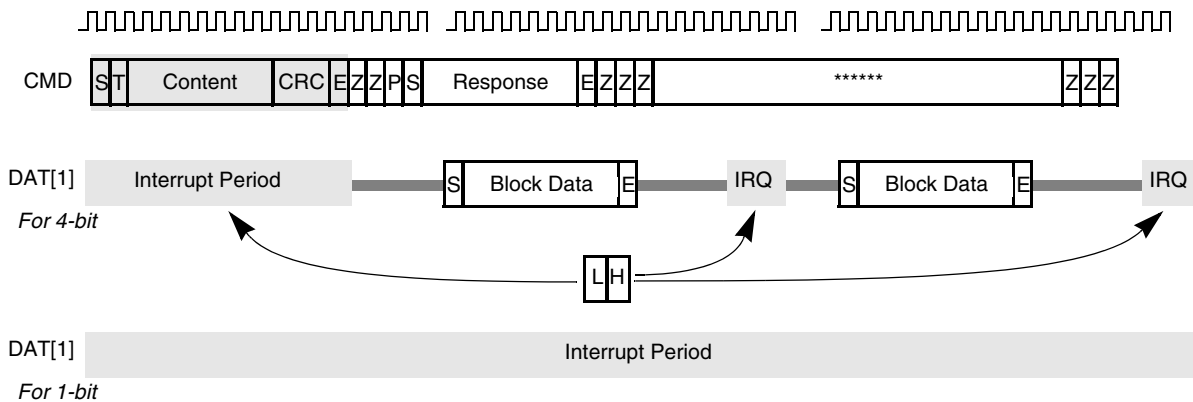


Figure 53. SDIO IRQ Timing Diagram

ReadWait is another feature in SDIO that allows the user to submit commands during the data transfer. In this mode, the block temporarily pauses the data transfer operation counter and related status, yet keeps the clock running, and allows the user to submit commands as normal. After all commands are submitted, the user can switch back to the data transfer operation and all counter and status values are resumed as access continues.

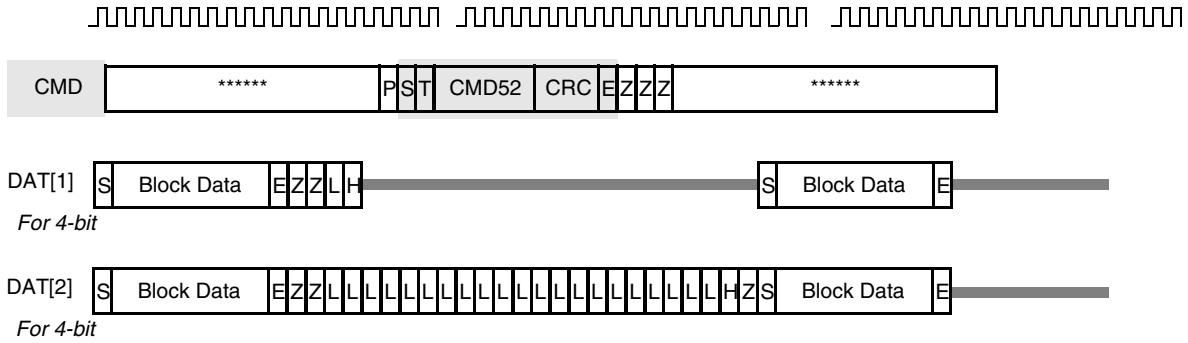


Figure 54. SDIO ReadWait Timing Diagram

4.11 Memory Stick Host Controller

The Memory Stick protocol requires three interface signal line connections for data transfers: MS_BS, MS_SDIO, and MS_SCLKO. Communication is always initiated by the MSHC and operates the bus in either four-state or two-state access mode.

The MS_BS signal classifies data on the SDIO into one of four states (BS0, BS1, BS2, or BS3) according to its attribute and transfer direction. BS0 is the INT transfer state, and during this state no packet transmissions occur. During the BS1, BS2, and BS3 states, packet communications are executed. The BS1, BS2, and BS3 states are regarded as one packet length and one communication transfer is always completed within one packet length (in four-state access mode).

The Memory Stick usually operates in four state access mode and in BS1, BS2, and BS3 bus states. When an error occurs during packet communication, the mode is shifted to two-state access mode, and the BS0 and BS1 bus states are automatically repeated to avoid a bus collision on the SDIO.

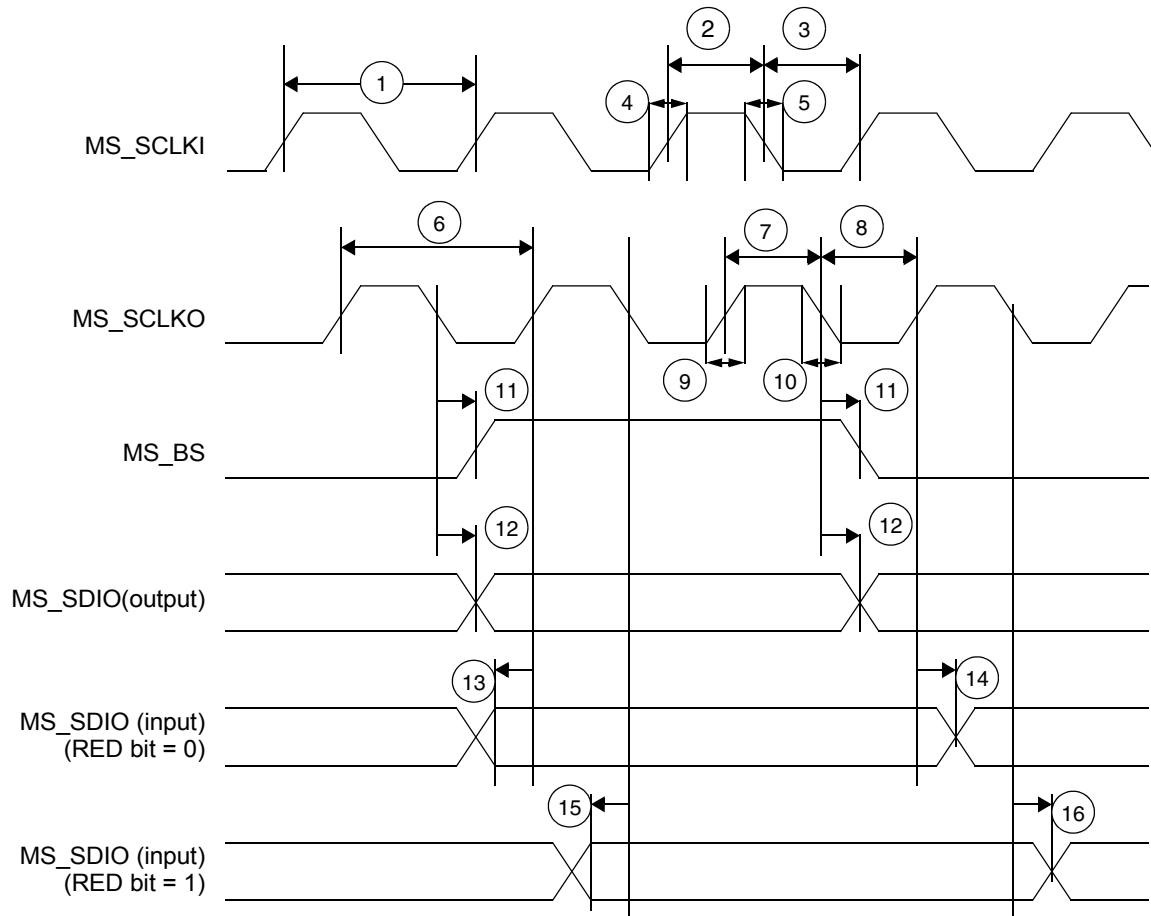


Figure 55. MSHC Signal Timing Diagram

Table 31. MSHC Signal Timing Parameter Table

| Ref No. | Parameter | 3.0 ± 0.3 V | | Unit |
|---------|----------------------------------------|-------------|---------|------|
| | | Minimum | Maximum | |
| 1 | MS_SCLKI frequency | – | 25 | MHz |
| 2 | MS_SCLKI high pulse width | 20 | – | ns |
| 3 | MS_SCLKI low pulse width | 20 | – | ns |
| 4 | MS_SCLKI rise time | – | 3 | ns |
| 5 | MS_SCLKI fall time | – | 3 | ns |
| 6 | MS_SCLKO frequency ¹ | – | 25 | MHz |
| 7 | MS_SCLKO high pulse width ¹ | 20 | – | ns |
| 8 | MS_SCLKO low pulse width ¹ | 15 | – | ns |
| 9 | MS_SCLKO rise time ¹ | – | 5 | ns |
| 10 | MS_SCLKO fall time ¹ | – | 5 | ns |
| 11 | MS_BS delay time ¹ | – | 3 | ns |

Table 31. MSHC Signal Timing Parameter Table (Continued)

| Ref No. | Parameter | 3.0 ± 0.3 V | | Unit |
|---------|-------------------------------------------------------------------------------|-------------|---------|------|
| | | Minimum | Maximum | |
| 12 | MS_SDIO output delay time ^{1,2} | – | 3 | ns |
| 13 | MS_SDIO input setup time for MS_SCLKO rising edge (RED bit = 0) ³ | 18 | – | ns |
| 14 | MS_SDIO input hold time for MS_SCLKO rising edge (RED bit = 0) ³ | 0 | – | ns |
| 15 | MS_SDIO input setup time for MS_SCLKO falling edge (RED bit = 1) ⁴ | 23 | – | ns |
| 16 | MS_SDIO input hold time for MS_SCLKO falling edge (RED bit = 1) ⁴ | 0 | – | ns |

¹ Loading capacitor condition is less than or equal to 30pF.

² An external resistor (100 ~ 200 ohm) should be inserted in series to provide current control on the MS_SDIO pin, because of a possibility of signal conflict between the MS_SDIO pin and Memory Stick SDIO pin when the pin direction changes.

³ If the MSC2[RED] bit = 0, MSHC samples MS_SDIO input data at MS_SCLKO rising edge.

⁴ If the MSC2[RED] bit = 1, MSHC samples MS_SDIO input data at MS_SCLKO falling edge.

4.12 Pulse-Width Modulator

The PWM can be programmed to select one of two clock signals as its source frequency. The selected clock signal is passed through a divider and a prescaler before being input to the counter. The output is available at the pulse-width modulator output (PWMO) external pin. Its timing diagram is shown in [Figure 56](#) and the parameters are listed in [Table 32](#).

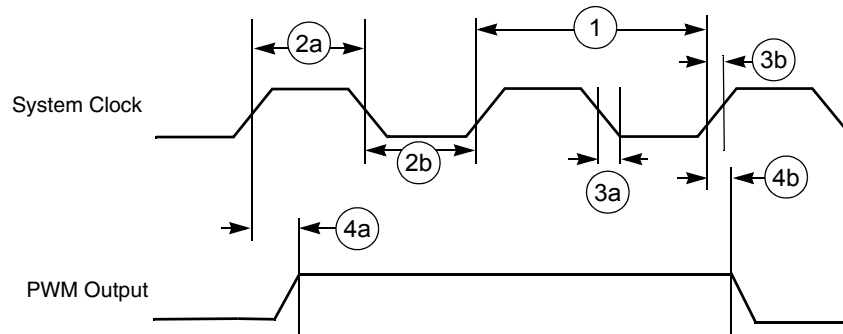


Figure 56. PWM Output Timing Diagram

Table 32. PWM Output Timing Parameter Table

| Ref No. | Parameter | 1.8 ± 0.1 V | | 3.0 ± 0.3 V | | Unit |
|---------|-----------------------------------|-------------|---------|-------------|---------|------|
| | | Minimum | Maximum | Minimum | Maximum | |
| 1 | System CLK frequency ¹ | 0 | 87 | 0 | 100 | MHz |
| 2a | Clock high time ¹ | 3.3 | – | 5/10 | – | ns |
| 2b | Clock low time ¹ | 7.5 | – | 5/10 | – | ns |
| 3a | Clock fall time ¹ | – | 5 | – | 5/10 | ns |

Table 32. PWM Output Timing Parameter Table (Continued)

| Ref No. | Parameter | 1.8 ± 0.1 V | | 3.0 ± 0.3 V | | Unit |
|---------|--------------------------------|-------------|---------|-------------|---------|------|
| | | Minimum | Maximum | Minimum | Maximum | |
| 3b | Clock rise time ¹ | – | 6.67 | – | 5/10 | ns |
| 4a | Output delay time ¹ | 5.7 | – | 5 | – | ns |
| 4b | Output setup time ¹ | 5.7 | – | 5 | – | ns |

¹ C_L of PWMO = 30 pF

4.13 SDRAM Controller

This section shows timing diagrams and parameters associated with the SDRAM (synchronous dynamic random access memory) Controller.

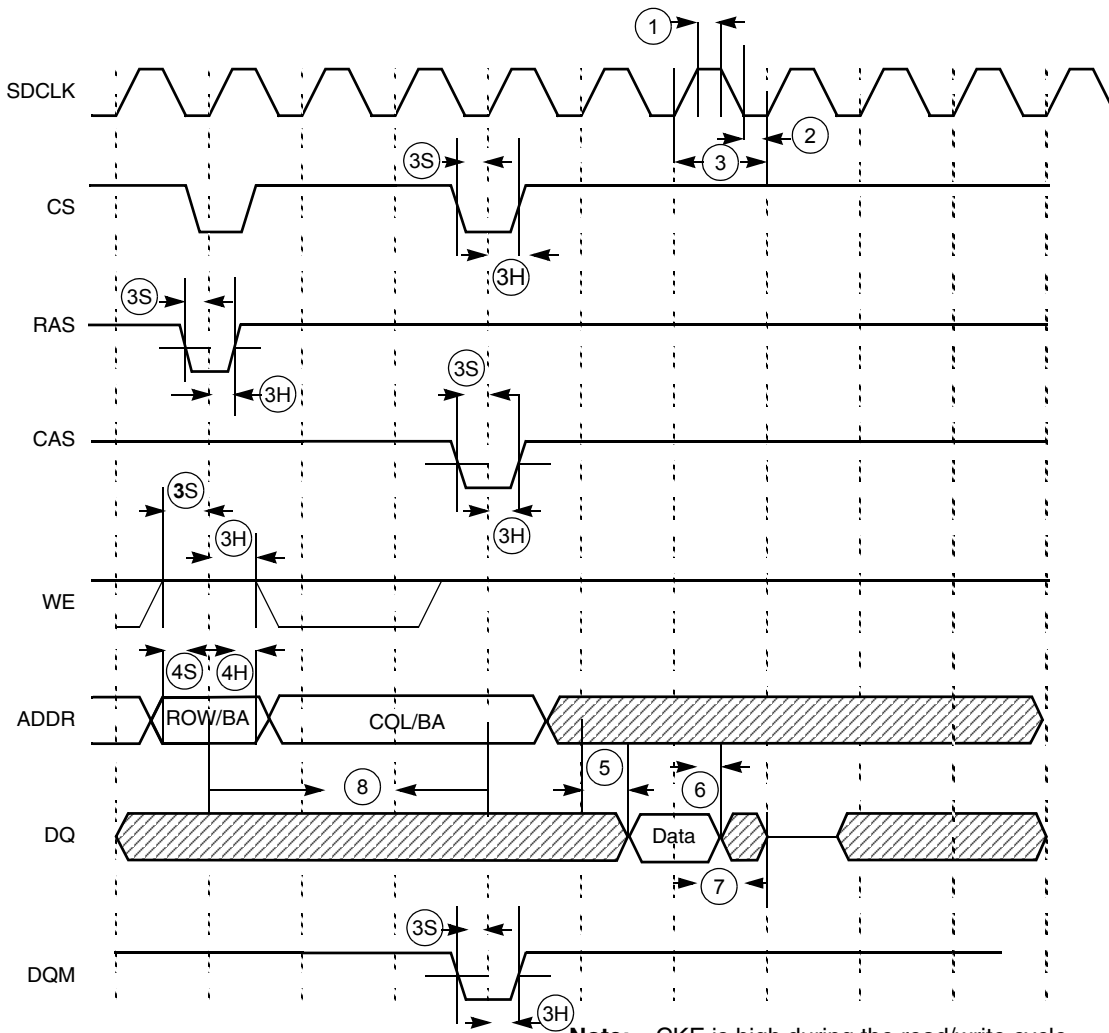


Figure 57. SDRAM Read Cycle Timing Diagram

Table 33. SDRAM Read Timing Parameter Table

| Ref No. | Parameter | 1.8 ± 0.1 V | | 3.0 ± 0.3 V | | Unit |
|---------|----------------------------------------------|-------------|---------|-------------|---------|------|
| | | Minimum | Maximum | Minimum | Maximum | |
| 1 | SDRAM clock high-level width | 2.67 | – | 4 | – | ns |
| 2 | SDRAM clock low-level width | 6 | – | 4 | – | ns |
| 3 | SDRAM clock cycle time | 11.4 | – | 10 | – | ns |
| 3S | CS, RAS, CAS, WE, DQM setup time | 3.42 | – | 3 | – | ns |
| 3H | CS, RAS, CAS, WE, DQM hold time | 2.28 | – | 2 | – | ns |
| 4S | Address setup time | 3.42 | – | 3 | – | ns |
| 4H | Address hold time | 2.28 | – | 2 | – | ns |
| 5 | SDRAM access time (CL = 3) | – | 6.84 | – | 6 | ns |
| 5 | SDRAM access time (CL = 2) | – | 6.84 | – | 6 | ns |
| 5 | SDRAM access time (CL = 1) | – | 22 | – | 22 | ns |
| 6 | Data out hold time | 2.85 | – | 2.5 | – | ns |
| 7 | Data out high-impedance time (CL = 3) | – | 6.84 | – | 6 | ns |
| 7 | Data out high-impedance time (CL = 2) | – | 6.84 | – | 6 | ns |
| 7 | Data out high-impedance time (CL = 1) | – | 22 | – | 22 | ns |
| 8 | Active to read/write command period (RC = 1) | t_{RCD}^1 | – | t_{RCD1} | – | ns |

¹ t_{RCD} = SDRAM clock cycle time. This settings can be found in the *MC9328MX1 reference manual*.

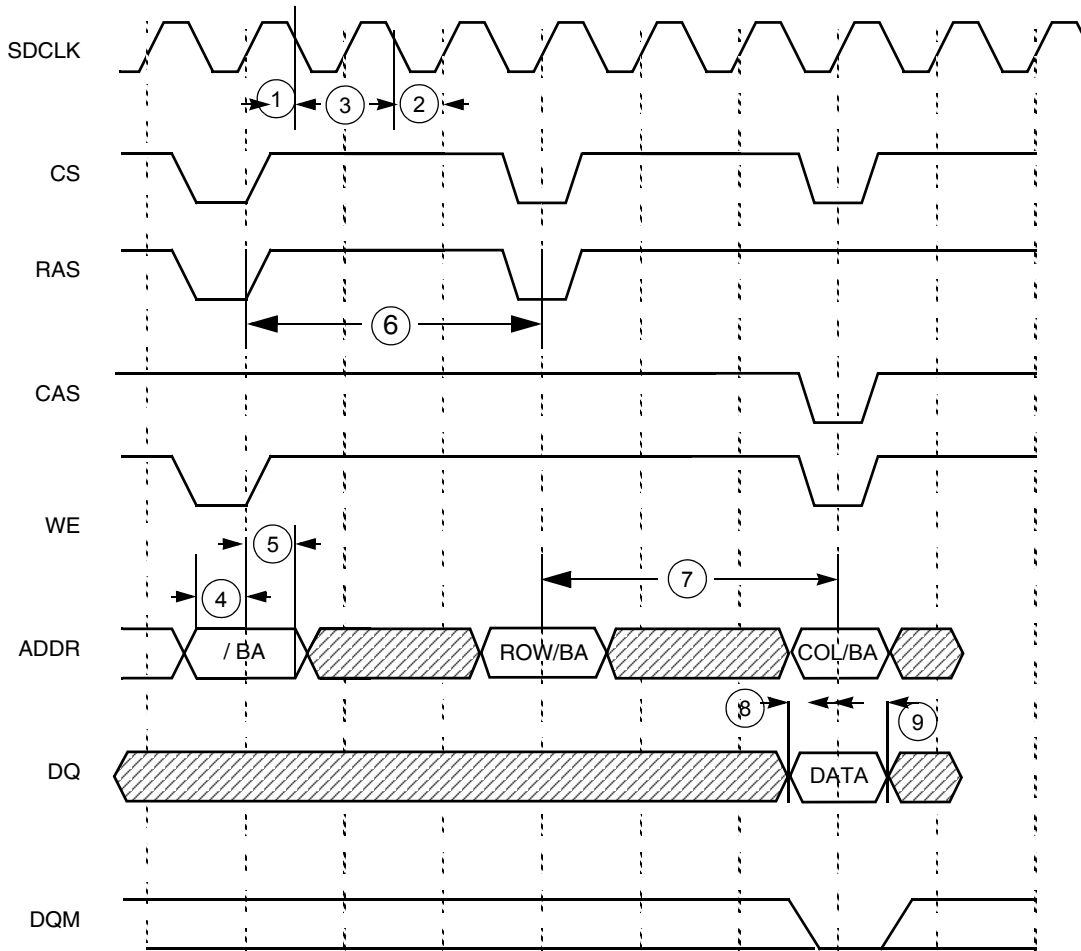


Figure 58. SDRAM Write Cycle Timing Diagram

Table 34. SDRAM Write Timing Parameter Table

| Ref No. | Parameter | 1.8 ± 0.1 V | | 3.0 ± 0.3 V | | Unit |
|---------|-------------------------------------|-----------------------|---------|-------------|---------|------|
| | | Minimum | Maximum | Minimum | Maximum | |
| 1 | SDRAM clock high-level width | 2.67 | – | 4 | – | ns |
| 2 | SDRAM clock low-level width | 6 | – | 4 | – | ns |
| 3 | SDRAM clock cycle time | 11.4 | – | 10 | – | ns |
| 4 | Address setup time | 3.42 | – | 3 | – | ns |
| 5 | Address hold time | 2.28 | – | 2 | – | ns |
| 6 | Precharge cycle period ¹ | t_{RP} ² | – | t_{RP2} | – | ns |
| 7 | Active to read/write command delay | t_{RCD2} | – | t_{RCD2} | – | ns |
| 8 | Data setup time | 4.0 | – | 2 | – | ns |
| 9 | Data hold time | 2.28 | – | 2 | – | ns |

¹ Precharge cycle timing is included in the write timing diagram.

² t_{RP} and t_{RCD} = SDRAM clock cycle time. These settings can be found in the *MC9328MX1 reference manual*.

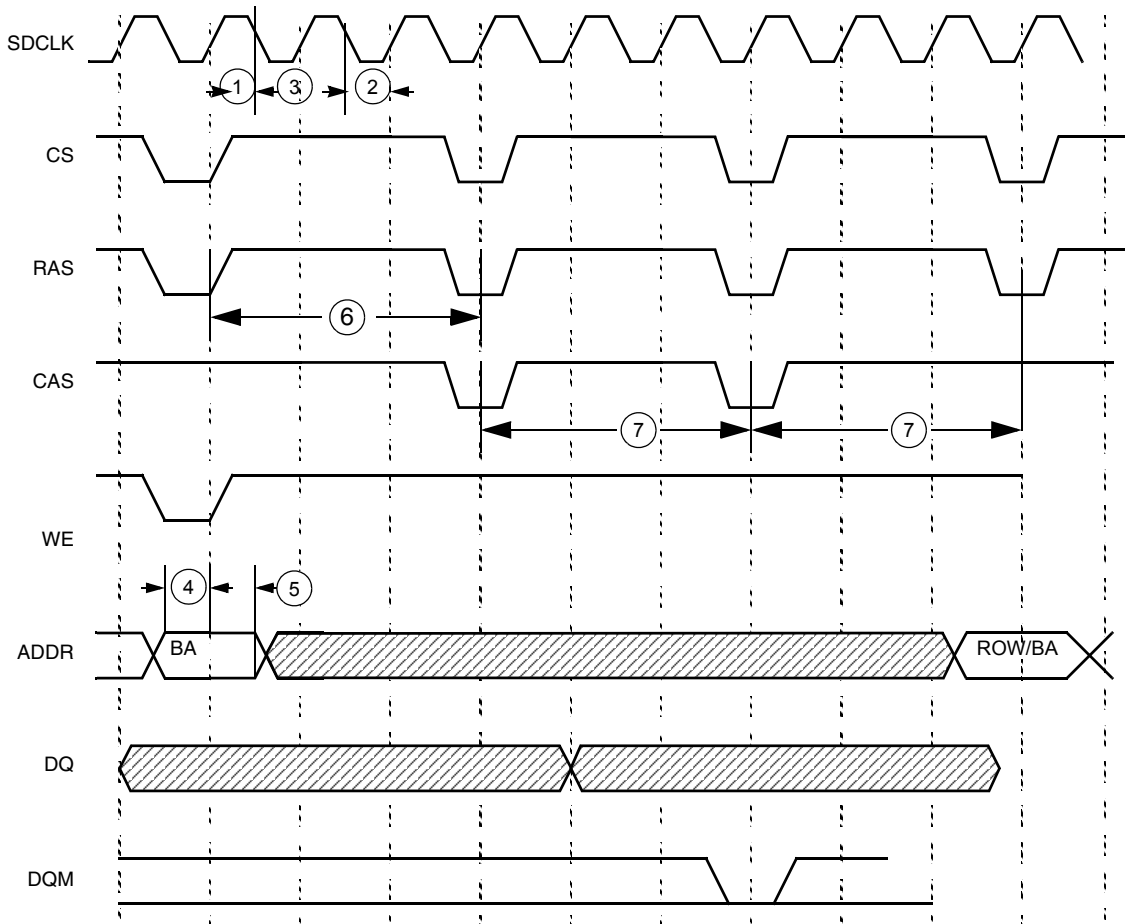


Figure 59. SDRAM Refresh Timing Diagram

Table 35. SDRAM Refresh Timing Parameter Table

| Ref No. | Parameter | 1.8 ± 0.1 V | | 3.0 ± 0.3 V | | Unit |
|---------|-------------------------------|-------------|---------|-------------|---------|------|
| | | Minimum | Maximum | Minimum | Maximum | |
| 1 | SDRAM clock high-level width | 2.67 | – | 4 | – | ns |
| 2 | SDRAM clock low-level width | 6 | – | 4 | – | ns |
| 3 | SDRAM clock cycle time | 11.4 | – | 10 | – | ns |
| 4 | Address setup time | 3.42 | – | 3 | – | ns |
| 5 | Address hold time | 2.28 | – | 2 | – | ns |
| 6 | Precharge cycle period | t_{RP}^1 | – | t_{RP1} | – | ns |
| 7 | Auto precharge command period | t_{RC1} | – | t_{RC1} | – | ns |

¹ t_{RP} and t_{RC} = SDRAM clock cycle time. These settings can be found in the *MC9328MX1 reference manual*.

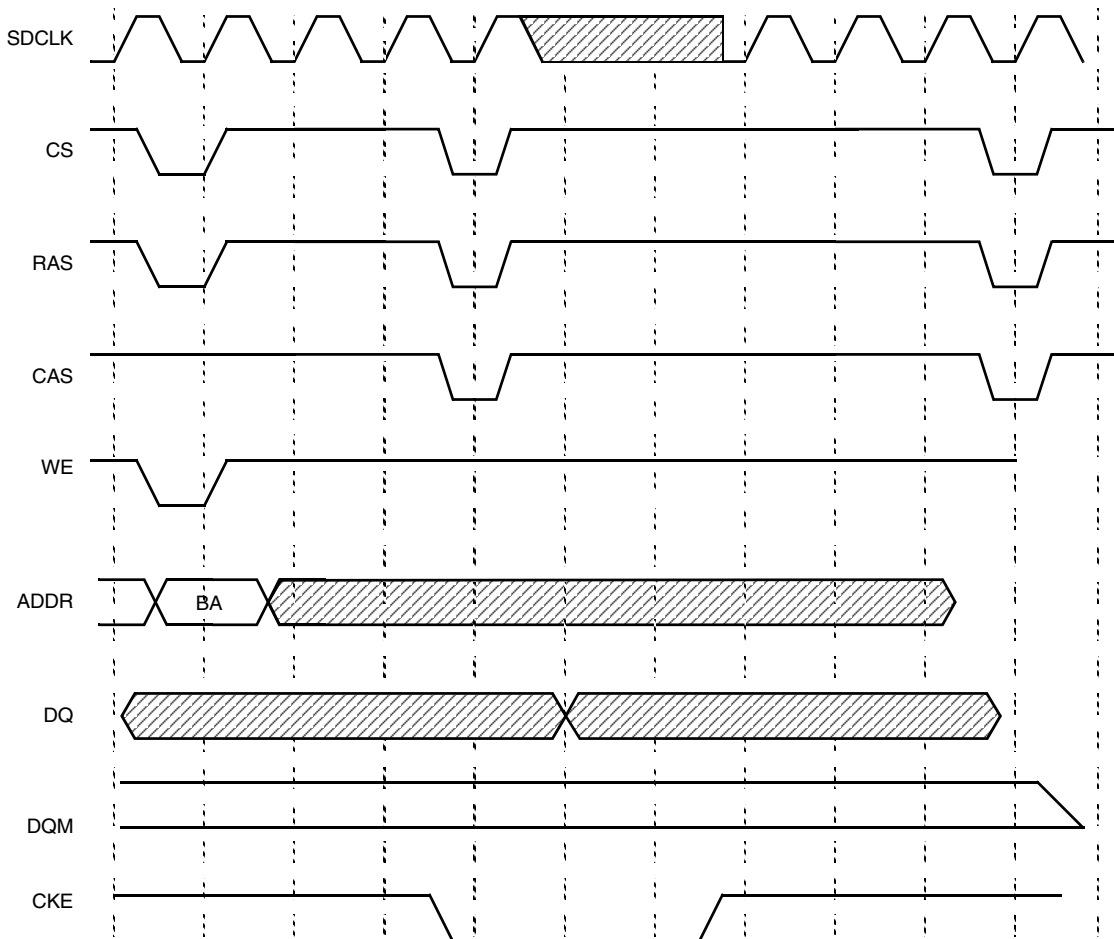


Figure 60. SDRAM Self-Refresh Cycle Timing Diagram

4.14 USB Device Port

Four types of data transfer modes exist for the USB module: control transfers, bulk transfers, isochronous transfers, and interrupt transfers. From the perspective of the USB module, the interrupt transfer type is identical to the bulk data transfer mode, and no additional hardware is supplied to support it. This section covers the transfer modes and how they work from the ground up.

Data moves across the USB in packets. Groups of packets are combined to form data transfers. The same packet transfer mechanism applies to bulk, interrupt, and control transfers. Isochronous data is also moved in the form of packets, however, because isochronous pipes are given a fixed portion of the USB bandwidth at all times, there is no end-of-transfer.

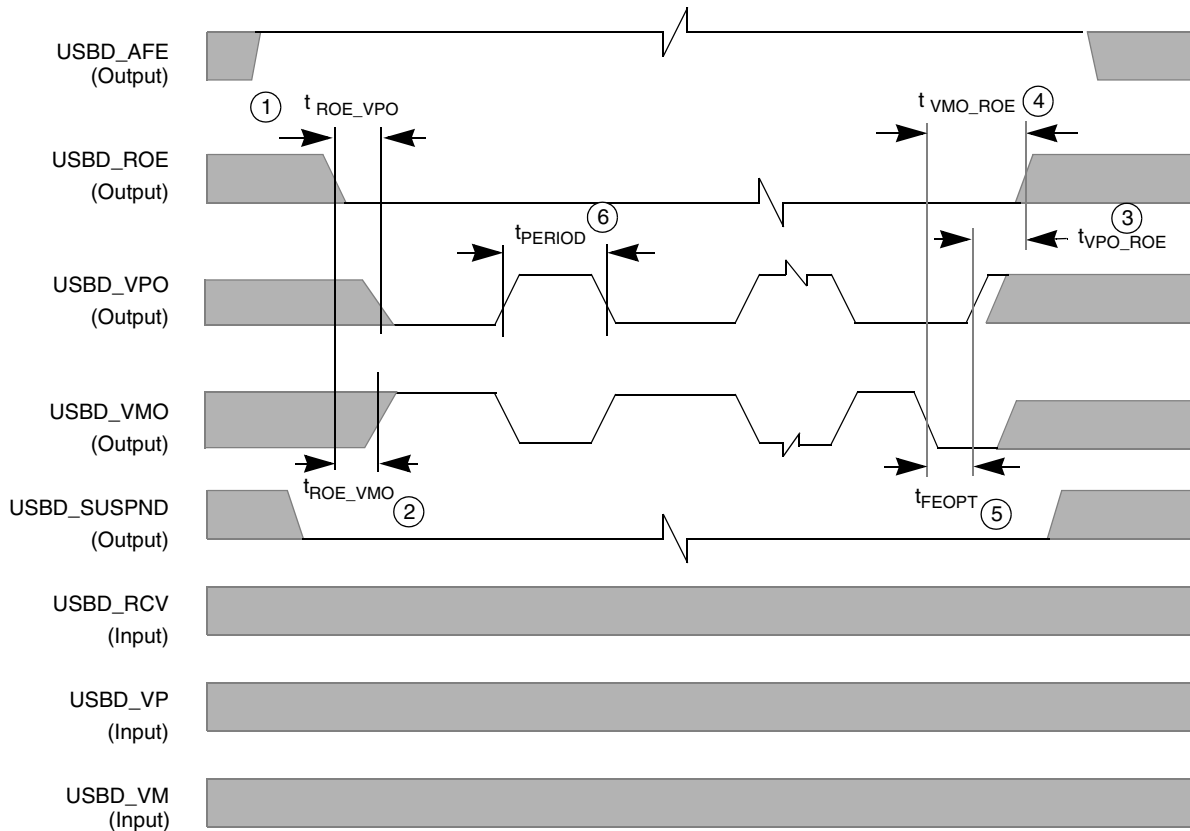


Figure 61. USB Device Timing Diagram for Data Transfer to USB Transceiver (TX)

Table 36. USB Device Timing Parameters for Data Transfer to USB Transceiver (TX)

| Ref No. | Parameter | 3.0 ± 0.3 V | | Unit |
|---------|----------------------------------------------------------------------------|-------------|---------|------|
| | | Minimum | Maximum | |
| 1 | t _{ROE_VPO} ; USBD_ROE active to USBD_VPO low | 83.14 | 83.47 | ns |
| 2 | t _{ROE_VMO} ; USBD_ROE active to USBD_VMO high | 81.55 | 81.98 | ns |
| 3 | t _{VPO_ROE} ; USBD_VPO high to USBD_ROE deactivated | 83.54 | 83.80 | ns |
| 4 | t _{VMO_ROE} ; USBD_VMO low to USBD_ROE deactivated (includes SE0) | 248.90 | 249.13 | ns |
| 5 | t _{FEOPT} ; SE0 interval of EOP | 160.00 | 175.00 | ns |
| 6 | t _{PERIOD} ; Data transfer rate | 11.97 | 12.03 | Mb/s |

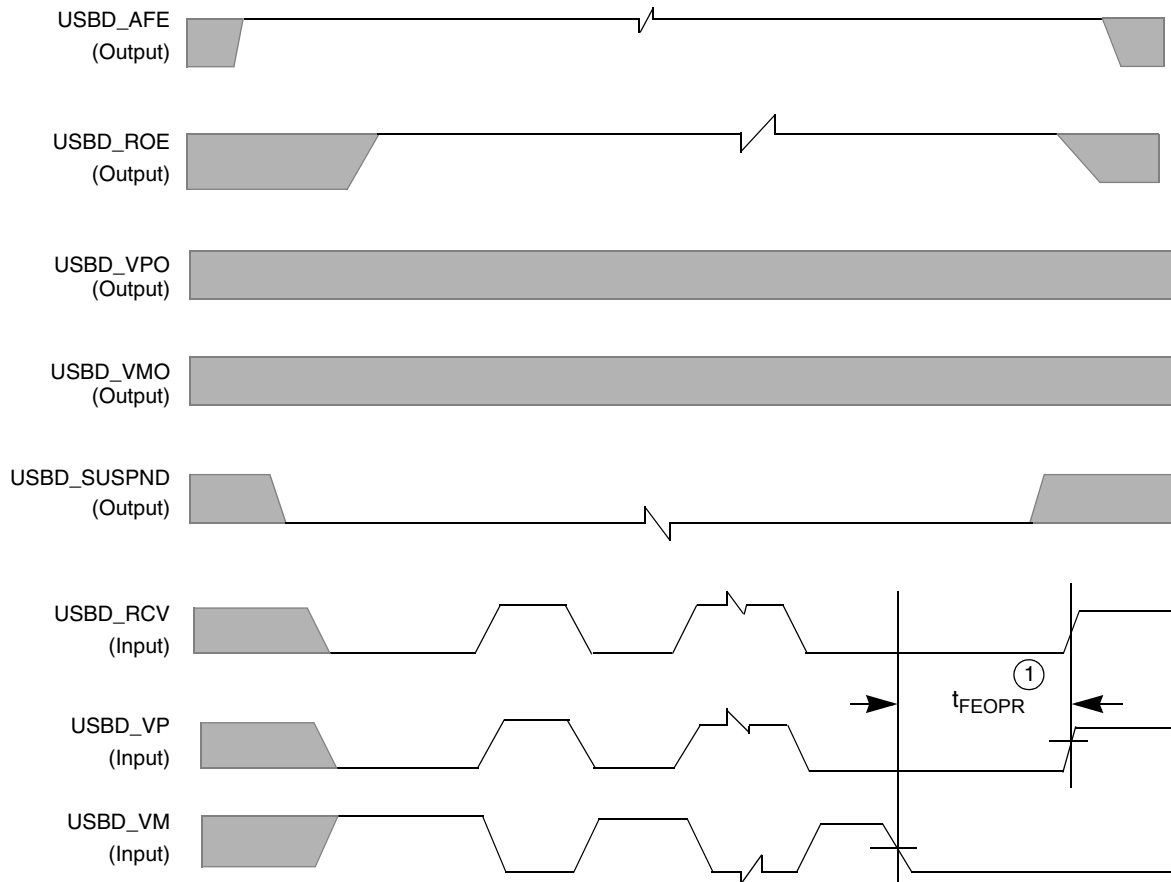


Figure 62. USB Device Timing Diagram for Data Transfer from USB Transceiver (RX)

Table 37. USB Device Timing Parameter Table for Data Transfer from USB Transceiver (RX)

| Ref No. | Parameter | 3.0 ± 0.3 V | | Unit |
|---------|---------------------------------------------------|-------------|---------|------|
| | | Minimum | Maximum | |
| 1 | t _{FEOPR} ; Receiver SE0 interval of EOP | 82 | – | ns |

4.15 I²C Module

The I²C communication protocol consists of seven elements: START, Data Source/Recipient, Data Direction, Slave Acknowledge, Data, Data Acknowledge, and STOP.

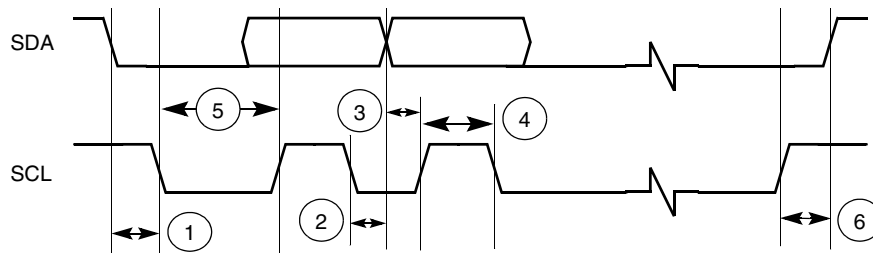


Figure 63. Definition of Bus Timing for I²C

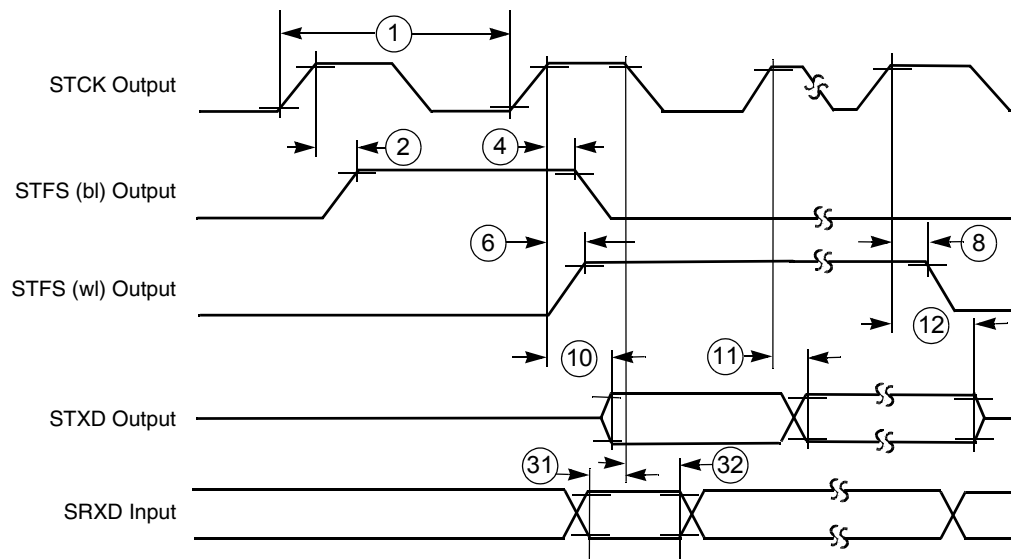
Table 38. I²C Bus Timing Parameter Table

| Ref No. | Parameter | 1.8 ± 0.1 V | | 3.0 ± 0.3 V | | Unit |
|---------|--------------------------------------|-------------|---------|-------------|---------|------|
| | | Minimum | Maximum | Minimum | Maximum | |
| 1 | Hold time (repeated) START condition | 182 | – | 160 | – | ns |
| 2 | Data hold time | 0 | 171 | 0 | 150 | ns |
| 3 | Data setup time | 11.4 | – | 10 | – | ns |
| 4 | HIGH period of the SCL clock | 80 | – | 120 | – | ns |
| 5 | LOW period of the SCL clock | 480 | – | 320 | – | ns |
| 6 | Setup time for STOP condition | 182.4 | – | 160 | – | ns |

4.16 Synchronous Serial Interface

The transmit and receive sections of the SSI can be synchronous or asynchronous. In synchronous mode, the transmitter and the receiver use a common clock and frame synchronization signal. In asynchronous mode, the transmitter and receiver each have their own clock and frame synchronization signals. Continuous or gated clock mode can be selected. In continuous mode, the clock runs continuously. In gated clock mode, the clock functions only during transmission. The internal and external clock timing diagrams are shown in Figure 65 through Figure 67.

Normal or network mode can also be selected. In normal mode, the SSI functions with one data word of I/O per frame. In network mode, a frame can contain between 2 and 32 data words. Network mode is typically used in star or ring-time division multiplex networks with other processors or codecs, allowing interface to time division multiplexed networks without additional logic. Use of the gated clock is not allowed in network mode. These distinctions result in the basic operating modes that allow the SSI to communicate with a wide variety of devices.



Note: SRXD input in synchronous mode only.

Figure 64. SSI Transmitter Internal Clock Timing Diagram

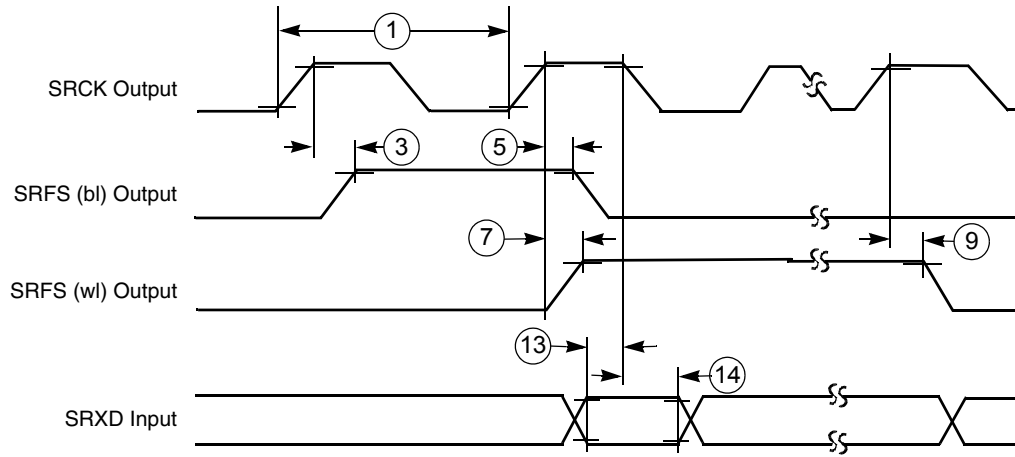
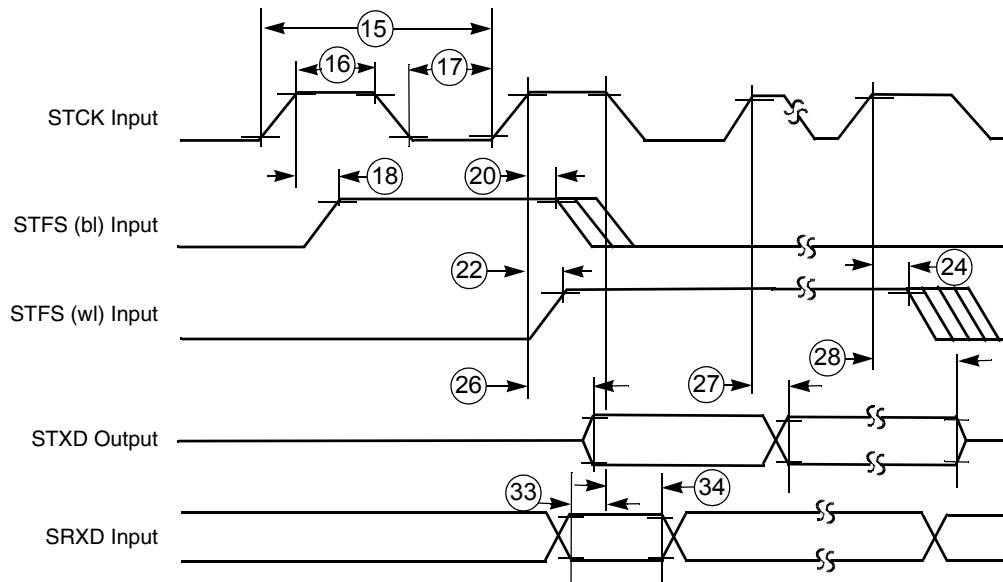


Figure 65. SSI Receiver Internal Clock Timing Diagram



Note: SRXD Input in Synchronous mode only

Figure 66. SSI Transmitter External Clock Timing Diagram

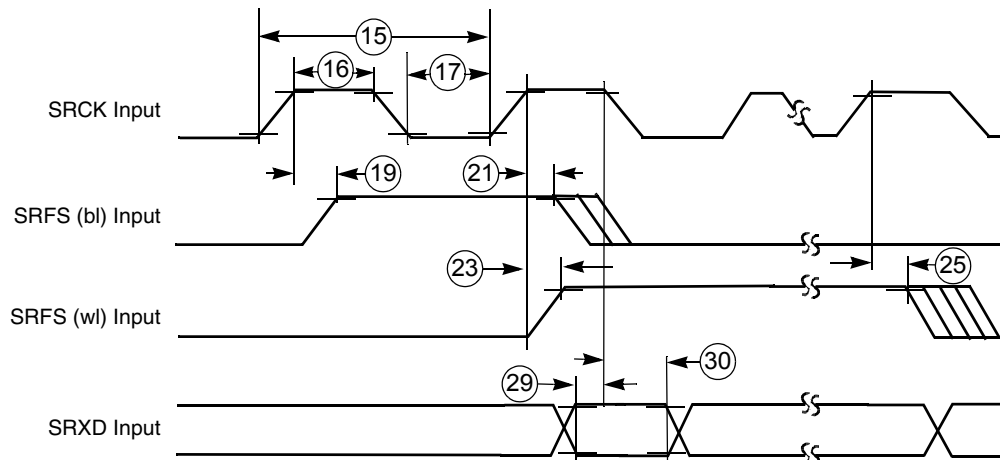


Figure 67. SSI Receiver External Clock Timing Diagram

Table 39. SSI (Port C Primary Function) Timing Parameter Table

| Ref No. | Parameter | 1.8 ± 0.1 V | | 3.0 ± 0.3 V | | Unit |
|-----------------------------------------------------------------------------------|---------------------------------------------|-------------|---------|-------------|---------|------|
| | | Minimum | Maximum | Minimum | Maximum | |
| Internal Clock Operation¹ (Port C Primary Function²) | | | | | | |
| 1 | STCK/SRCK clock period ¹ | 95 | – | 83.3 | – | ns |
| 2 | STCK high to STFS (bl) high ³ | 1.5 | 4.5 | 1.3 | 3.9 | ns |
| 3 | SRCK high to SRFS (bl) high ³ | -1.2 | -1.7 | -1.1 | -1.5 | ns |
| 4 | STCK high to STFS (bl) low ³ | 2.5 | 4.3 | 2.2 | 3.8 | ns |
| 5 | SRCK high to SRFS (bl) low ³ | 0.1 | -0.8 | 0.1 | -0.8 | ns |
| 6 | STCK high to STFS (wl) high ³ | 1.48 | 4.45 | 1.3 | 3.9 | ns |
| 7 | SRCK high to SRFS (wl) high ³ | -1.1 | -1.5 | -1.1 | -1.5 | ns |
| 8 | STCK high to STFS (wl) low ³ | 2.51 | 4.33 | 2.2 | 3.8 | ns |
| 9 | SRCK high to SRFS (wl) low ³ | 0.1 | -0.8 | 0.1 | -0.8 | ns |
| 10 | STCK high to STXD valid from high impedance | 14.25 | 15.73 | 12.5 | 13.8 | ns |
| 11a | STCK high to STXD high | 0.91 | 3.08 | 0.8 | 2.7 | ns |
| 11b | STCK high to STXD low | 0.57 | 3.19 | 0.5 | 2.8 | ns |
| 12 | STCK high to STXD high impedance | 12.88 | 13.57 | 11.3 | 11.9 | ns |
| 13 | SRXD setup time before SRCK low | 21.1 | – | 18.5 | – | ns |
| 14 | SRXD hold time after SRCK low | 0 | – | 0 | – | ns |
| External Clock Operation (Port C Primary Function²) | | | | | | |
| 15 | STCK/SRCK clock period ¹ | 92.8 | – | 81.4 | – | ns |
| 16 | STCK/SRCK clock high period | 27.1 | – | 40.7 | – | ns |
| 17 | STCK/SRCK clock low period | 61.1 | – | 40.7 | – | ns |

Table 39. SSI (Port C Primary Function) Timing Parameter Table (Continued)

| Ref No. | Parameter | 1.8 ± 0.1 V | | 3.0 ± 0.3 V | | Unit |
|-----------------------------------------------------------------------------------|---------------------------------------------|-------------|---------|-------------|---------|------|
| | | Minimum | Maximum | Minimum | Maximum | |
| 18 | STCK high to STFS (bl) high ³ | – | 92.8 | 0 | 81.4 | ns |
| 19 | SRCK high to SRFS (bl) high ³ | – | 92.8 | 0 | 81.4 | ns |
| 20 | STCK high to STFS (bl) low ³ | – | 92.8 | 0 | 81.4 | ns |
| 21 | SRCK high to SRFS (bl) low ³ | – | 92.8 | 0 | 81.4 | ns |
| 22 | STCK high to STFS (wl) high ³ | – | 92.8 | 0 | 81.4 | ns |
| 23 | SRCK high to SRFS (wl) high ³ | – | 92.8 | 0 | 81.4 | ns |
| 24 | STCK high to STFS (wl) low ³ | – | 92.8 | 0 | 81.4 | ns |
| 25 | SRCK high to SRFS (wl) low ³ | – | 92.8 | 0 | 81.4 | ns |
| 26 | STCK high to STXD valid from high impedance | 18.01 | 28.16 | 15.8 | 24.7 | ns |
| 27a | STCK high to STXD high | 8.98 | 18.13 | 7.0 | 15.9 | ns |
| 27b | STCK high to STXD low | 9.12 | 18.24 | 8.0 | 16.0 | ns |
| 28 | STCK high to STXD high impedance | 18.47 | 28.5 | 16.2 | 25.0 | ns |
| 29 | SRXD setup time before SRCK low | 1.14 | – | 1.0 | – | ns |
| 30 | SRXD hole time after SRCK low | 0 | – | 0 | – | ns |
| Synchronous Internal Clock Operation (Port C Primary Function²) | | | | | | |
| 31 | SRXD setup before STCK falling | 15.4 | – | 13.5 | – | ns |
| 32 | SRXD hold after STCK falling | 0 | – | 0 | – | ns |
| Synchronous External Clock Operation (Port C Primary Function²) | | | | | | |
| 33 | SRXD setup before STCK falling | 1.14 | – | 1.0 | – | ns |
| 34 | SRXD hold after STCK falling | 0 | – | 0 | – | ns |

¹ All the timings for the SSI are given for a non-inverted serial clock polarity (TSCKP/RSCKP = 0) and a non-inverted frame sync (TFSI/RFSI = 0). If the polarity of the clock and/or the frame sync have been inverted, all the timing remains valid by inverting the clock signal STCK/SRCK and/or the frame sync STFS/SRFS shown in the tables and in the figures.

² There are 2 sets of I/O signals for the SSI module. They are from Port C primary function (pad 257 to pad 261) and Port B alternate function (pad 283 to pad 288). When SSI signals are configured as outputs, they can be viewed both at Port C primary function and Port B alternate function. When SSI signals are configured as input, the SSI module selects the input based on status of the FMCR register bits in the Clock controller module (CRM). By default, the input are selected from Port C primary function.

³ bl = bit length; wl = word length.

Table 40. SSI (Port B Alternate Function) Timing Parameter Table

| Ref No. | Parameter | 1.8 ± 0.1 V | | 3.0 ± 0.3 V | | Unit |
|-------------------------------------------------------------------------------------|---------------------------------------------|-------------|---------|-------------|---------|------|
| | | Minimum | Maximum | Minimum | Maximum | |
| Internal Clock Operation¹ (Port B Alternate Function²) | | | | | | |
| 1 | STCK/SRCK clock period ¹ | 95 | – | 83.3 | – | ns |
| 2 | STCK high to STFS (bl) high ³ | 1.7 | 4.8 | 1.5 | 4.2 | ns |
| 3 | SRCK high to SRFS (bl) high ³ | -0.1 | 1.0 | -0.1 | 1.0 | ns |
| 4 | STCK high to STFS (bl) low ³ | 3.08 | 5.24 | 2.7 | 4.6 | ns |
| 5 | SRCK high to SRFS (bl) low ³ | 1.25 | 2.28 | 1.1 | 2.0 | ns |
| 6 | STCK high to STFS (wl) high ³ | 1.71 | 4.79 | 1.5 | 4.2 | ns |
| 7 | SRCK high to SRFS (wl) high ³ | -0.1 | 1.0 | -0.1 | 1.0 | ns |
| 8 | STCK high to STFS (wl) low ³ | 3.08 | 5.24 | 2.7 | 4.6 | ns |
| 9 | SRCK high to SRFS (wl) low ³ | 1.25 | 2.28 | 1.1 | 2.0 | ns |
| 10 | STCK high to STXD valid from high impedance | 14.93 | 16.19 | 13.1 | 14.2 | ns |
| 11a | STCK high to STXD high | 1.25 | 3.42 | 1.1 | 3.0 | ns |
| 11b | STCK high to STXD low | 2.51 | 3.99 | 2.2 | 3.5 | ns |
| 12 | STCK high to STXD high impedance | 12.43 | 14.59 | 10.9 | 12.8 | ns |
| 13 | SRXD setup time before SRCK low | 20 | – | 17.5 | – | ns |
| 14 | SRXD hold time after SRCK low | 0 | – | 0 | – | ns |
| External Clock Operation (Port B Alternate Function²) | | | | | | |
| 15 | STCK/SRCK clock period ¹ | 92.8 | – | 81.4 | – | ns |
| 16 | STCK/SRCK clock high period | 27.1 | – | 40.7 | – | ns |
| 17 | STCK/SRCK clock low period | 61.1 | – | 40.7 | – | ns |
| 18 | STCK high to STFS (bl) high ³ | – | 92.8 | 0 | 81.4 | ns |
| 19 | SRCK high to SRFS (bl) high ³ | – | 92.8 | 0 | 81.4 | ns |
| 20 | STCK high to STFS (bl) low ³ | – | 92.8 | 0 | 81.4 | ns |
| 21 | SRCK high to SRFS (bl) low ³ | – | 92.8 | 0 | 81.4 | ns |
| 22 | STCK high to STFS (wl) high ³ | – | 92.8 | 0 | 81.4 | ns |
| 23 | SRCK high to SRFS (wl) high ³ | – | 92.8 | 0 | 81.4 | ns |
| 24 | STCK high to STFS (wl) low ³ | – | 92.8 | 0 | 81.4 | ns |
| 25 | SRCK high to SRFS (wl) low ³ | – | 92.8 | 0 | 81.4 | ns |
| 26 | STCK high to STXD valid from high impedance | 18.9 | 29.07 | 16.6 | 25.5 | ns |
| 27a | STCK high to STXD high | 9.23 | 20.75 | 8.1 | 18.2 | ns |
| 27b | STCK high to STXD low | 10.60 | 21.32 | 9.3 | 18.7 | ns |

Table 40. SSI (Port B Alternate Function) Timing Parameter Table (Continued)

| Ref No. | Parameter | 1.8 ± 0.1 V | | 3.0 ± 0.3 V | | Unit |
|-------------------------------------------------------------------------------------|----------------------------------|-------------|---------|-------------|---------|------|
| | | Minimum | Maximum | Minimum | Maximum | |
| 28 | STCK high to STXD high impedance | 17.90 | 29.75 | 15.7 | 26.1 | ns |
| 29 | SRXD setup time before SRCK low | 1.14 | – | 1.0 | – | ns |
| 30 | SRXD hold time after SRCK low | 0 | – | 0 | – | ns |
| Synchronous Internal Clock Operation (Port B Alternate Function²) | | | | | | |
| 31 | SRXD setup before STCK falling | 18.81 | – | 16.5 | – | ns |
| 32 | SRXD hold after STCK falling | 0 | – | 0 | – | ns |
| Synchronous External Clock Operation (Port B Alternate Function²) | | | | | | |
| 33 | SRXD setup before STCK falling | 1.14 | – | 1.0 | – | ns |
| 34 | SRXD hold after STCK falling | 0 | – | 0 | – | ns |

¹ All the timings for the SSI are given for a non-inverted serial clock polarity (TSCKP/RSCKP = 0) and a non-inverted frame sync (TFSI/RFSI = 0). If the polarity of the clock and/or the frame sync have been inverted, all the timing remains valid by inverting the clock signal STCK/SRCK and/or the frame sync STFS/SRFS shown in the tables and in the figures.

² There are 2 set of I/O signals for the SSI module. They are from Port C primary function (pad 257 to pad 261) and Port B alternate function (pad 283 to pad 288). When SSI signals are configured as outputs, they can be viewed both at Port C primary function and Port B alternate function. When SSI signals are configured as inputs, the SSI module selects the input based on FMCR register bits in the Clock controller module (CRM). By default, the input are selected from Port C primary function.

³ bl = bit length; wl = word length.

Table 41. SSI 2 (Port C Alternate Function) Timing Parameter Table

| Ref No. | Parameter | 1.8V +/- 0.10V | | 3.0V +/- 0.30V | | Unit |
|-------------------------------------------------------------------------------------|---------------------------------------------|----------------|---------|----------------|---------|------|
| | | Minimum | Maximum | Minimum | Maximum | |
| Internal Clock Operation¹ (Port C Alternate Function)² | | | | | | |
| 1 | STCK/SRCK clock period ¹ | 95 | – | 83.3 | – | ns |
| 2 | STCK high to STFS (bl) high ³ | 1.7 | 4.8 | 1.5 | 4.2 | ns |
| 3 | SRCK high to SRFS (bl) high ³ | -0.1 | 1.0 | -0.1 | 1.0 | ns |
| 4 | STCK high to STFS (bl) low ³ | 3.08 | 5.24 | 2.7 | 4.6 | ns |
| 5 | SRCK high to SRFS (bl) low ³ | 1.25 | 2.28 | 1.1 | 2.0 | ns |
| 6 | STCK high to STFS (wl) high ³ | 1.71 | 4.79 | 1.5 | 4.2 | ns |
| 7 | SRCK high to SRFS (wl) high ³ | -0.1 | 1.0 | -0.1 | 1.0 | ns |
| 8 | STCK high to STFS (wl) low ³ | 3.08 | 5.24 | 2.7 | 4.6 | ns |
| 9 | SRCK high to SRFS (wl) low ³ | 1.25 | 2.28 | 1.1 | 2.0 | ns |
| 10 | STCK high to STXD valid from high impedance | 14.93 | 16.19 | 13.1 | 14.2 | ns |
| 11a | STCK high to STXD high | 1.25 | 3.42 | 1.1 | 3.0 | ns |

Table 41. SSI 2 (Port C Alternate Function) Timing Parameter Table (Continued)

| Ref No. | Parameter | 1.8V +/- 0.10V | | 3.0V +/- 0.30V | | Unit |
|-------------------------------------------------------------------------------------|---------------------------------------------|----------------|---------|----------------|---------|------|
| | | Minimum | Maximum | Minimum | Maximum | |
| 11b | STCK high to STXD low | 2.51 | 3.99 | 2.2 | 3.5 | ns |
| 12 | STCK high to STXD high impedance | 12.43 | 14.59 | 10.9 | 12.8 | ns |
| 13 | SRXD setup time before SRCK low | 20 | – | 17.5 | – | ns |
| 14 | SRXD hold time after SRCK low | 0 | – | 0 | – | ns |
| External Clock Operation (Port C Alternate Function)² | | | | | | |
| 15 | STCK/SRCK clock period ¹ | 92.8 | – | 81.4 | – | ns |
| 16 | STCK/SRCK clock high period | 27.1 | – | 40.7 | – | ns |
| 17 | STCK/SRCK clock low period | 61.1 | – | 40.7 | – | ns |
| 18 | STCK high to STFS (bl) high ³ | – | 92.8 | 0 | 81.4 | ns |
| 19 | SRCK high to SRFS (bl) high ³ | – | 92.8 | 0 | 81.4 | ns |
| 20 | STCK high to STFS (bl) low ³ | – | 92.8 | 0 | 81.4 | ns |
| 21 | SRCK high to SRFS (bl) low ³ | – | 92.8 | 0 | 81.4 | ns |
| 22 | STCK high to STFS (wl) high ³ | – | 92.8 | 0 | 81.4 | ns |
| 23 | SRCK high to SRFS (wl) high ³ | – | 92.8 | 0 | 81.4 | ns |
| 24 | STCK high to STFS (wl) low ³ | – | 92.8 | 0 | 81.4 | ns |
| 25 | SRCK high to SRFS (wl) low ³ | – | 92.8 | 0 | 81.4 | ns |
| 26 | STCK high to STXD valid from high impedance | 18.9 | 29.07 | 16.6 | 25.5 | ns |
| 27a | STCK high to STXD high | 9.23 | 20.75 | 8.1 | 18.2 | ns |
| 27b | STCK high to STXD low | 10.60 | 21.32 | 9.3 | 18.7 | ns |
| 28 | STCK high to STXD high impedance | 17.90 | 29.75 | 15.7 | 26.1 | ns |
| 29 | SRXD setup time before SRCK low | 1.14 | – | 1.0 | – | ns |
| 30 | SRXD hold time after SRCK low | 0 | – | 0 | – | ns |
| Synchronous Internal Clock Operation (Port C Alternate Function)² | | | | | | |
| 31 | SRXD setup before STCK falling | 18.81 | – | 16.5 | – | ns |
| 32 | SRXD hold after STCK falling | 0 | – | 0 | – | ns |
| Synchronous External Clock Operation (Port C Alternate Function)² | | | | | | |
| 33 | SRXD setup before STCK falling | 1.14 | – | 1.0 | – | ns |
| 34 | SRXD hold after STCK falling | 0 | – | 0 | – | ns |

¹ All the timings for both SSI modules are given for a non-inverted serial clock polarity (TSCKP/RSCKP = 0) and a non-inverted frame sync (TFSI/RFSI = 0). If the polarity of the clock and/or the frame sync have been inverted, all the timing remains valid by inverting the clock signal STCK/SRCK and/or the frame sync STFS/SRFS shown in the tables and in the figures.

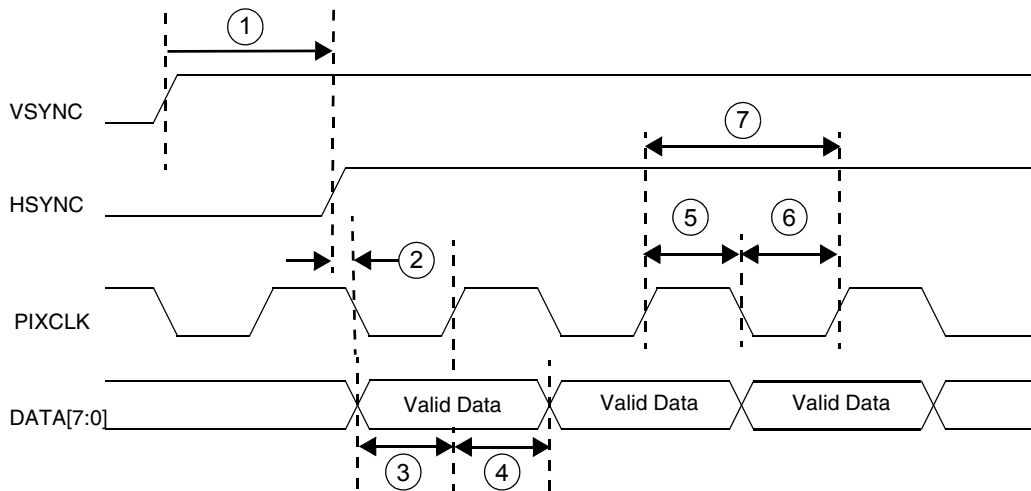
- ² There is one set of I/O signals for the SSI2 module. They are from Port C alternate function (PC19 – PC24). When SSI signals are configured as outputs, they can be viewed at Port C alternate function a. When SSI signals are configured as inputs, the SSI module selects the input based on FMCR register bits in the Clock controller module (CRM). By default, the input is selected from Port C alternate function.
- ³ bl = bit length; wl = word length

4.17 CMOS Sensor Interface

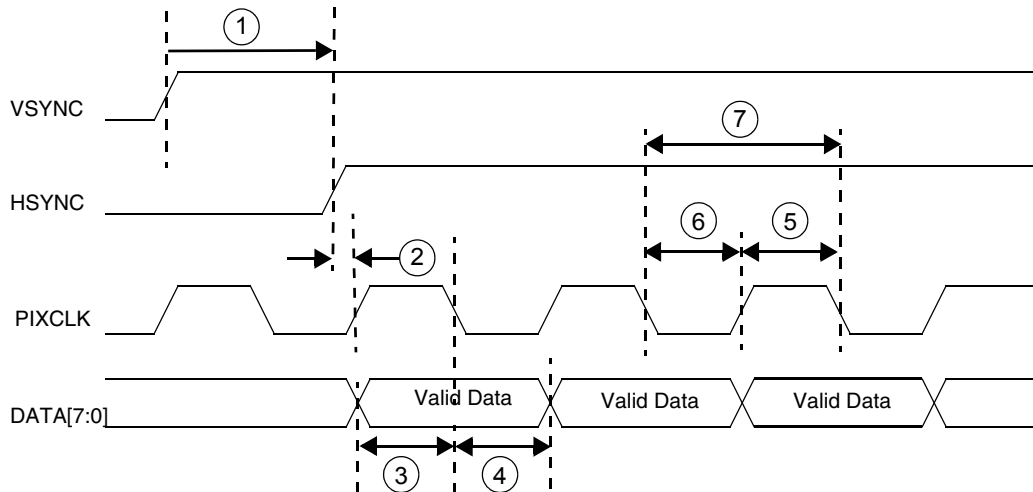
The CMOS Sensor Interface (CSI) module consists of a control register to configure the interface timing, a control register for statistic data generation, a status register, interface logic, a 32 × 32 image data receive FIFO, and a 16 × 32 statistic data FIFO.

4.17.1 Gated Clock Mode

Figure 68 shows the timing diagram when the CMOS sensor output data is configured for negative edge and the CSI is programmed to received data on the positive edge. Figure 69 shows the timing diagram when the CMOS sensor output data is configured for positive edge and the CSI is programmed to received data in negative edge. The parameters for the timing diagrams are listed in Table 42.



**Figure 68. Sensor Output Data on Pixel Clock Falling Edge
CSI Latches Data on Pixel Clock Rising Edge**



**Figure 69. Sensor Output Data on Pixel Clock Rising Edge
CSI Latches Data on Pixel Clock Falling Edge**

Table 42. Gated Clock Mode Timing Parameters

| Ref No. | Parameter | Min | Max | Unit |
|---------|-------------------------|-------|-----|------|
| 1 | csi_vsync to csi_hsync | 180 | – | ns |
| 2 | csi_hsync to csi_pixclk | 1 | – | ns |
| 3 | csi_d setup time | 1 | – | ns |
| 4 | csi_d hold time | 1 | – | ns |
| 5 | csi_pixclk high time | 10.42 | – | ns |
| 6 | csi_pixclk low time | 10.42 | – | ns |
| 7 | csi_pixclk frequency | 0 | 48 | MHz |

The limitation on pixel clock rise time / fall time are not specified. It should be calculated from the hold time and setup time, according to:

Rising-edge latch data

$$\begin{aligned} \text{max rise time allowed} &= (\text{positive duty cycle} - \text{hold time}) \\ \text{max fall time allowed} &= (\text{negative duty cycle} - \text{setup time}) \end{aligned}$$

In most of case, duty cycle is 50 / 50, therefore

$$\begin{aligned} \text{max rise time} &= (\text{period} / 2 - \text{hold time}) \\ \text{max fall time} &= (\text{period} / 2 - \text{setup time}) \end{aligned}$$

For example: Given pixel clock period = 10ns, duty cycle = 50 / 50, hold time = 1ns, setup time = 1ns.

$$\begin{aligned} \text{positive duty cycle} &= 10 / 2 = 5\text{ns} \\ \Rightarrow \text{max rise time allowed} &= 5 - 1 = 4\text{ns} \\ \text{negative duty cycle} &= 10 / 2 = 5\text{ns} \\ \Rightarrow \text{max fall time allowed} &= 5 - 1 = 4\text{ns} \end{aligned}$$

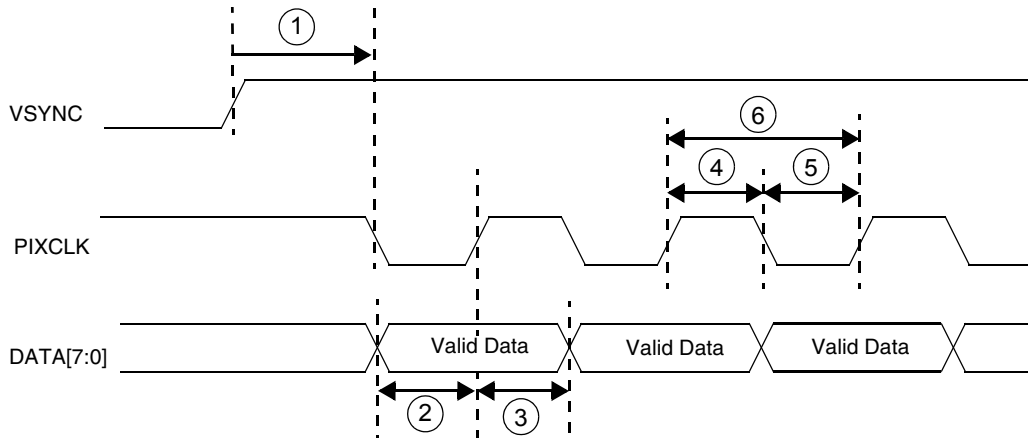
Falling-edge latch data

$$\text{max fall time allowed} = (\text{negative duty cycle} - \text{hold time})$$

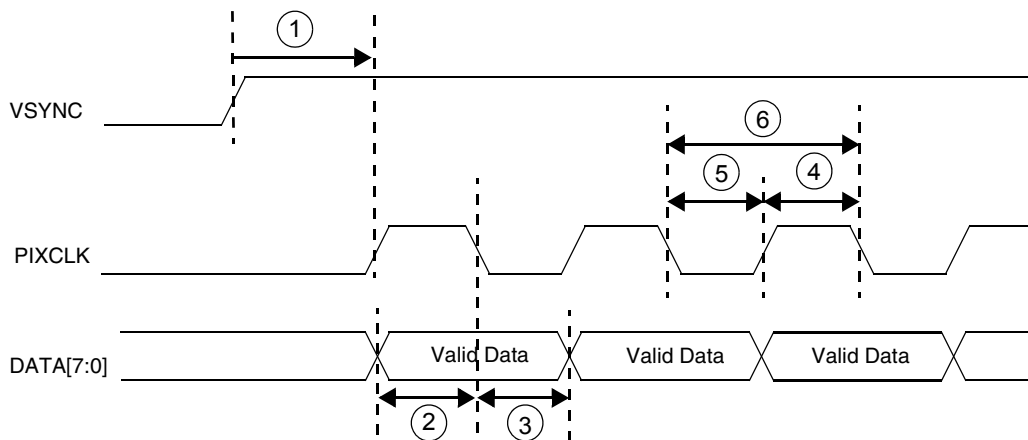
$$\text{max rise time allowed} = (\text{positive duty cycle} - \text{setup time})$$

4.17.2 Non-Gated Clock Mode

Figure 70 shows the timing diagram when the CMOS sensor output data is configured for negative edge and the CSI is programmed to received data on the positive edge. Figure 71 shows the timing diagram when the CMOS sensor output data is configured for positive edge and the CSI is programmed to received data in negative edge. The parameters for the timing diagrams are listed in Table 43.



**Figure 70. Sensor Output Data on Pixel Clock Falling Edge
CSI Latches Data on Pixel Clock Rising Edge**



**Figure 71. Sensor Output Data on Pixel Clock Rising Edge
CSI Latches Data on Pixel Clock Falling Edge**

Table 43. Non-Gated Clock Mode Parameters

| Ref No. | Parameter | Min | Max | Unit |
|---------|-------------------------|-----|-----|------|
| 1 | csi_vsync to csi_pixclk | 180 | – | ns |
| 2 | csi_d setup time | 1 | – | ns |

Table 43. Non-Gated Clock Mode Parameters (Continued)

| Ref No. | Parameter | Min | Max | Unit |
|---------|----------------------|-------|-----|------|
| 3 | csi_d hold time | 1 | – | ns |
| 4 | csi_pixclk high time | 10.42 | – | ns |
| 5 | csi_pixclk low time | 10.42 | – | ns |
| 6 | csi_pixclk frequency | 0 | 48 | MHz |

The limitation on pixel clock rise time / fall time are not specified. It should be calculated from the hold time and setup time, according to:

$$\begin{aligned} \text{max rise time allowed} &= (\text{positive duty cycle} - \text{hold time}) \\ \text{max fall time allowed} &= (\text{negative duty cycle} - \text{setup time}) \end{aligned}$$

In most of case, duty cycle is 50 / 50, therefore:

$$\begin{aligned} \text{max rise time} &= (\text{period} / 2 - \text{hold time}) \\ \text{max fall time} &= (\text{period} / 2 - \text{setup time}) \end{aligned}$$

For example: Given pixel clock period = 10ns, duty cycle = 50 / 50, hold time = 1ns, setup time = 1ns.

$$\begin{aligned} \text{positive duty cycle} &= 10 / 2 = 5\text{ns} \\ \Rightarrow \text{max rise time allowed} &= 5 - 1 = 4\text{ns} \\ \text{negative duty cycle} &= 10 / 2 = 5\text{ns} \\ \Rightarrow \text{max fall time allowed} &= 5 - 1 = 4\text{ns} \end{aligned}$$

Falling-edge latch data

$$\begin{aligned} \text{max fall time allowed} &= (\text{negative duty cycle} - \text{hold time}) \\ \text{max rise time allowed} &= (\text{positive duty cycle} - \text{setup time}) \end{aligned}$$

5 Pin-Out and Package Information

Table 44 illustrates the package pin assignments for the 256-pin MAPBGA package. For a complete listing of signals, see the Signal Multiplexing Table 3 on page 11.

Table 44. i.MX1 256 MAPBGA Pin Assignments

| | 1 | 2 | 3 | 4 | 5 | 6 | 7 | 8 | 9 | 10 | 11 | 12 | 13 | 14 | 15 | 16 | |
|---|------|---------|---------|----------|-------------|-----------|--------------|-------------------|-------------|-----------------------|------------|----------|------------|--------------------|----------|----------|---|
| A | NVSS | SD_DAT3 | SD_CLK | NVSS | USBD_AFE | NVDD4 | NVSS | UART1_RTS | UART1_RXD | NVDD3 | BT5 | BT3 | QVDD4 | RVP | UIP | N.C. | A |
| B | A24 | SD_DAT1 | SD_CMD | SIM_TX | USBD_ROE | USBD_VP | SSI_RXCLK | SSI_TXCLK | SPI1_SCLK | BT11 | BT7 | BT1 | QVSS | RVM | UIN | N.C. | B |
| C | A23 | D31 | SD_DAT0 | SIM_PD | USBD_RCV | UART2_CTS | UART2_RXD | SSI_RXFS | UART1_TXD | BTRFGND | BT8 | BTRFVDD | N.C. | AVDD2 ¹ | VSS | R1B | C |
| D | A22 | D30 | D29 | SIM_SVEN | USBD_SUSPND | USBD_VPO | USBD_VMO | SSI_RXDAT | SPI1_SPLRDY | BT13 | BT6 | N.C. | N.C. | N.C. | R1A | R2B | D |
| E | A20 | A21 | D28 | D26 | SD_DAT2 | USBD_VM | UART2_RTS | SSI_TXDAT | SPI1_SS | BT12 | BT4 | N.C. | N.C. | PY2 | PX2 | R2A | E |
| F | A18 | D27 | D25 | A19 | A16 | SIM_RST | UART2_TXD | SSI_TXFS | SPI1_MISO | BT10 | BT2 | REV | PY1 | PX1 | LSCLK | SPL_SPR | F |
| G | A15 | A17 | D24 | D23 | D21 | SIM_RX | SIM_CLK | UART1_CTS | SPI1_MOSI | BT9 | CLS | CONTRAST | ACD/OE | LP/HSYNC | FLM/VSYN | LD1 | G |
| H | A13 | D22 | A14 | D20 | NVDD1 | NVDD1 | NVSS | QVSS | QVDD1 | PS | LD0 | LD2 | LD4 | LD5 | LD9 | LD3 | H |
| J | A12 | A11 | D18 | D19 | NVDD1 | NVDD1 | NVSS | NVDD1 | NVSS | NVSS | LD6 | LD7 | LD8 | LD11 | QVDD3 | QVSS | J |
| K | A10 | D16 | A9 | D17 | NVDD1 | NVSS | NVSS | NVDD1 | NVDD2 | NVDD2 | LD10 | LD12 | LD13 | LD14 | TMR2OUT | LD15 | K |
| L | A8 | A7 | D13 | D15 | D14 | NVDD1 | NVSS | CAS | TCK | TIN | PWMO | CSI_MCLK | CSI_D0 | CSI_D1 | CSI_D2 | CSI_D3 | L |
| M | A5 | D12 | D11 | A6 | SDCLK | NVSS | RW | MA10 | RAS | RESET_IN | BIG_ENDIAN | CSI_D4 | CSI_HSYNC | CSI_VSYNC | CSI_D6 | CSI_D5 | M |
| N | A4 | EB1 | D10 | D7 | A0 | D4 | PA17 | D1 | DQM1 | RESET_SF ² | RESET_OUT | BOOT2 | CSI_PIXCLK | CSI_D7 | TMS | TDI | N |
| P | A3 | D9 | EB0 | CS3 | D6 | ECB | D2 | D3 | DQM3 | SDCKE1 | BOOT3 | BOOT0 | TRST | I2C_SCL | I2C_SDA | XTAL32K | P |
| R | EB2 | EB3 | A1 | CS4 | D8 | D5 | LB \bar{A} | BCLK ³ | D0 | DQM0 | SDCKE0 | POR | BOOT1 | TD \bar{O} | QVDD2 | EXTAL32K | R |
| T | NVSS | A2 | OE | CS5 | CS2 | CS1 | CS0 | MA11 | DQM2 | SDWE | CLKO | AVDD1 | TRISTATE | EXTAL16M | XTAL16M | QVSS | T |
| | 1 | 2 | 3 | 4 | 5 | 6 | 7 | 8 | 9 | 10 | 11 | 12 | 13 | 14 | 15 | 16 | |

¹ ASP signals are clamped by AVDD2 to prevent ESD (Electrostatic Discharge) damage. AVDD2 must be greater than QVDD to keep diodes reversed-biased.

² This signal is not used and should be floated in an actual application.

³ burst clock

5.1 MAPBGA 256 Package Dimensions

Figure 72 illustrates the 256 MAPBGA 14 mm × 14 mm × 1.30 mm package, with an 0.8 mm pad pitch. The device designator for the MAPBGA package is VH.

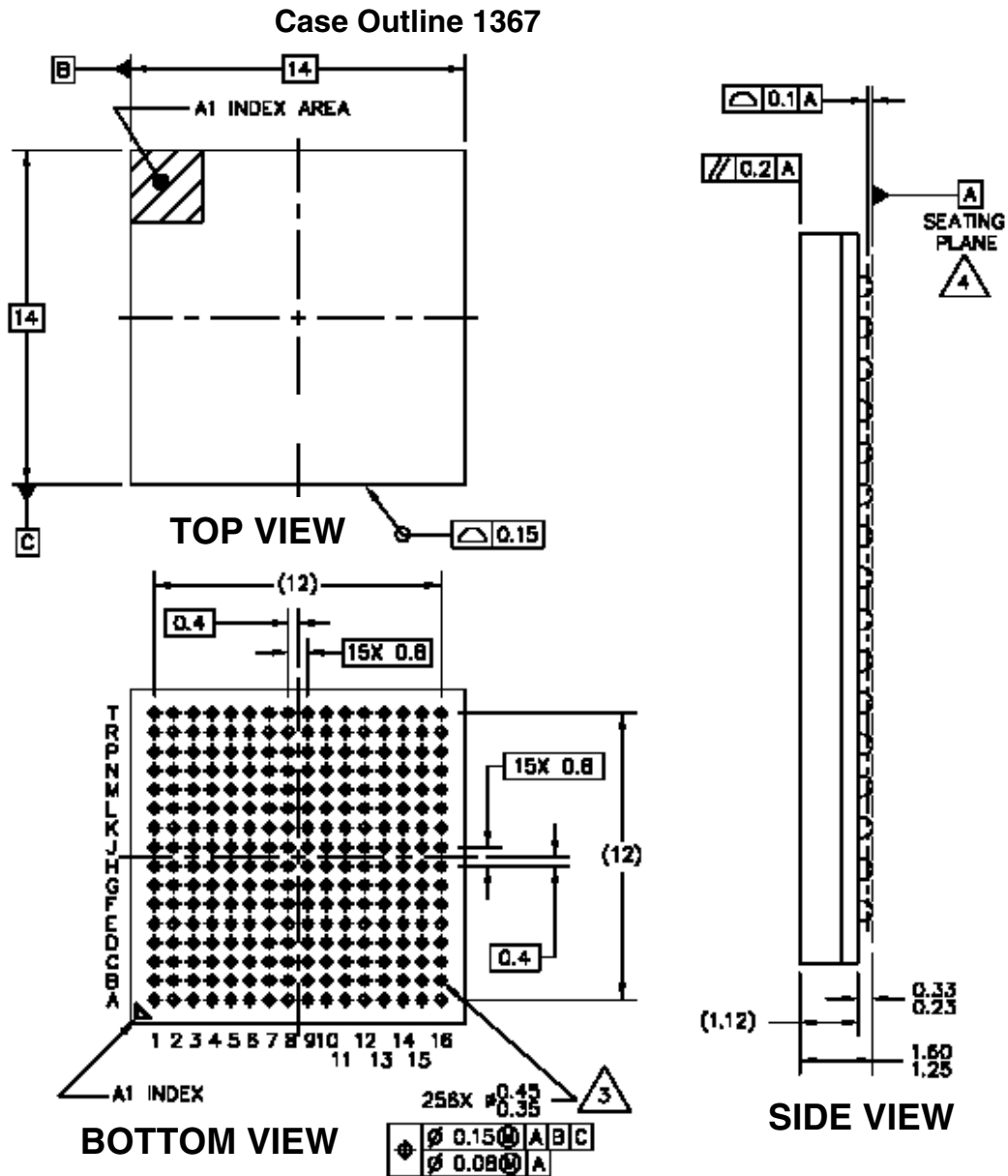


Figure 72. i.MXL 256 MAPBGA Mechanical Drawing

6 Product Documentation

6.1 Revision History

Table 45 provides revision history for this release. This history includes technical content revisions only and not stylistic or grammatical changes.

Table 45. i.MX1 Data Sheet Revision History Rev. 7

| Location | Revision |
|----------------------------------------------------|---------------------------------------------------------------------------------------------------------------------------------------------------------------------------------------------------------------------------------------------------------------------------------------------------------------------------------------------------------------------------------------------------------------------------------------------|
| Table 1 on page 3 Signal Names and Descriptions | <ul style="list-style-type: none"> Added the DMA_REQ signal to table. Corrected signal name from $\overline{\text{USB_OE}}$ to $\overline{\text{USB_ROE}}$ Corrected signal names From: C10 BTRFGN, To: BTRFGND From: G6 SIM_RST, To: SIM_RX From: G7 UART2_TXD, To: SIM_CLK |
| Table 3 on page 11 Signal Multiplex Table i.MX1 | Added Signal Multiplex table from Reference Manual with the following changes: <ul style="list-style-type: none"> Changed I/O Supply Voltage, PB31–14, from NVDD3 to NVDD4 Corrected footnotes 1–5. Changed AVDD2 references to QVDD, except for C14. Added footnote regarding ESD. Changed occurrence of SD_SCLK to SD_CLK. Removed 69K pull-up resistor from EB1, EB2, and added to D9 |
| Table 10 on page 26 | Changed first and second parameters descriptions: From: Reference Clock freq range, To: DPLL input clock freq range From: Double clock freq range, To: DPLL output freq range |
| Table 3 on page 11 | Added Signal Multiplex table. |

6.2 Reference Documents

The following documents are required for a complete description of the MC9328MX1 and are necessary to design properly with the device. Especially for those not familiar with the ARM920T processor or previous i.MX processor products, the following documents are helpful when used in conjunction with this document.

ARM Architecture Reference Manual (ARM Ltd., order number ARM DDI 0100)

ARM9DT1 Data Sheet Manual (ARM Ltd., order number ARM DDI 0029)

ARM Technical Reference Manual (ARM Ltd., order number ARM DDI 0151C)

EMT9 Technical Reference Manual (ARM Ltd., order number DDI O157E)

MC9328MX1 Product Brief (order number MC9328MX1P)

MC9328MX1 Reference Manual (order number MC9328MX1RM)

The Freescale manuals are available on the Freescale Semiconductors Web site at <http://www.freescale.com/imx>. These documents may be downloaded directly from the Freescale Web site, or printed versions may be ordered. The ARM Ltd. documentation is available from <http://www.arm.com>.



NOTES

How to Reach Us:

Home Page:
www.freescale.com

E-mail:
support@freescale.com

USA/Europe or Locations Not Listed:
Freescale Semiconductor
Technical Information Center, CH370
1300 N. Alma School Road
Chandler, Arizona 85224
+1-800-521-6274 or +1-480-768-2130
support@freescale.com

Europe, Middle East, and Africa:
Freescale Halbleiter Deutschland GmbH
Technical Information Center
Schatzbogen 7
81829 Muenchen, Germany
+44 1296 380 456 (English)
+46 8 52200080 (English)
+49 89 92103 559 (German)
+33 1 69 35 48 48 (French)
support@freescale.com

Japan:
Freescale Semiconductor Japan Ltd.
Headquarters
ARCO Tower 15F
1-8-1, Shimo-Meguro, Meguro-ku,
Tokyo 153-0064, Japan
0120 191014 or +81 3 5437 9125
support.japan@freescale.com

Asia/Pacific:
Freescale Semiconductor Hong Kong Ltd.
Technical Information Center
2 Dai King Street
Tai Po Industrial Estate
Tai Po, N.T., Hong Kong
+800 2666 8080
support.asia@freescale.com

For Literature Requests Only:
Freescale Semiconductor Literature Distribution Center
P.O. Box 5405
Denver, Colorado 80217
1-800-521-6274 or 303-675-2140
Fax: 303-675-2150
LDCForFreescaleSemiconductor@hibbertgroup.com

Information in this document is provided solely to enable system and software implementers to use Freescale Semiconductor products. There are no express or implied copyright licenses granted hereunder to design or fabricate any integrated circuits or integrated circuits based on the information in this document.

Freescale Semiconductor reserves the right to make changes without further notice to any products herein. Freescale Semiconductor makes no warranty, representation or guarantee regarding the suitability of its products for any particular purpose, nor does Freescale Semiconductor assume any liability arising out of the application or use of any product or circuit, and specifically disclaims any and all liability, including without limitation consequential or incidental damages. "Typical" parameters that may be provided in Freescale Semiconductor data sheets and/or specifications can and do vary in different applications and actual performance may vary over time. All operating parameters, including "Typicals", must be validated for each customer application by customer's technical experts. Freescale Semiconductor does not convey any license under its patent rights nor the rights of others. Freescale Semiconductor products are not designed, intended, or authorized for use as components in systems intended for surgical implant into the body, or other applications intended to support or sustain life, or for any other application in which the failure of the Freescale Semiconductor product could create a situation where personal injury or death may occur. Should Buyer purchase or use Freescale Semiconductor products for any such unintended or unauthorized application, Buyer shall indemnify and hold Freescale Semiconductor and its officers, employees, subsidiaries, affiliates, and distributors harmless against all claims, costs, damages, and expenses, and reasonable attorney fees arising out of, directly or indirectly, any claim of personal injury or death associated with such unintended or unauthorized use, even if such claim alleges that Freescale Semiconductor was negligent regarding the design or manufacture of the part.

Freescale™ and the Freescale logo are trademarks of Freescale Semiconductor, Inc. ARM and the ARM POWERED logo are the registered trademarks of ARM Limited. ARM9, ARM920T, and ARM9TDMI are the trademarks of ARM Limited. All other product or service names are the property of their respective owners.

© Freescale Semiconductor, Inc. 2006. All rights reserved.

RoHS-compliant and/or Pb-free versions of Freescale products have the functionality and electrical characteristics of their non-RoHS-compliant and/or non-Pb-free counterparts. For further information, see <http://www.freescale.com> or contact your Freescale sales representative.

For information on Freescale's Environmental Products program, go to <http://www.freescale.com/epp>.



Компания «ЭлектроПласт» предлагает заключение долгосрочных отношений при поставках импортных электронных компонентов на взаимовыгодных условиях!

Наши преимущества:

- Оперативные поставки широкого спектра электронных компонентов отечественного и импортного производства напрямую от производителей и с крупнейших мировых складов;
- Поставка более 17-ти миллионов наименований электронных компонентов;
- Поставка сложных, дефицитных, либо снятых с производства позиций;
- Оперативные сроки поставки под заказ (от 5 рабочих дней);
- Экспресс доставка в любую точку России;
- Техническая поддержка проекта, помощь в подборе аналогов, поставка прототипов;
- Система менеджмента качества сертифицирована по Международному стандарту ISO 9001;
- Лицензия ФСБ на осуществление работ с использованием сведений, составляющих государственную тайну;
- Поставка специализированных компонентов (Xilinx, Altera, Analog Devices, Intersil, Interpoint, Microsemi, Aeroflex, Peregrine, Syfer, Eurofarad, Texas Instrument, Miteq, Cobham, E2V, MA-COM, Hittite, Mini-Circuits, General Dynamics и др.);

Помимо этого, одним из направлений компании «ЭлектроПласт» является направление «Источники питания». Мы предлагаем Вам помощь Конструкторского отдела:

- Подбор оптимального решения, техническое обоснование при выборе компонента;
- Подбор аналогов;
- Консультации по применению компонента;
- Поставка образцов и прототипов;
- Техническая поддержка проекта;
- Защита от снятия компонента с производства.



Как с нами связаться

Телефон: 8 (812) 309 58 32 (многоканальный)

Факс: 8 (812) 320-02-42

Электронная почта: org@eplast1.ru

Адрес: 198099, г. Санкт-Петербург, ул. Калинина, дом 2, корпус 4, литера А.