



Micro Commercial Components

Micro Commercial Components  
 20736 Marilla Street Chatsworth  
 CA 91311  
 Phone: (818) 701-4933  
 Fax: (818) 701-4939

# MJD32C

## Silicon PNP epitaxial planer Transistors

### Features

- Lead Free Finish/RoHS Compliant ("P" Suffix designates RoHS Compliant. See ordering information)
- Case Material:Molded Plastic. UL Flammability Classification Rating 94V-0 and MSL Rating 1
- Electrically similar to popular TIP32 Series
- Designed for general purpose amplifier and low speed switching applications.
- Maximum Thermal Resistance: 100°C/W Junction to Ambient

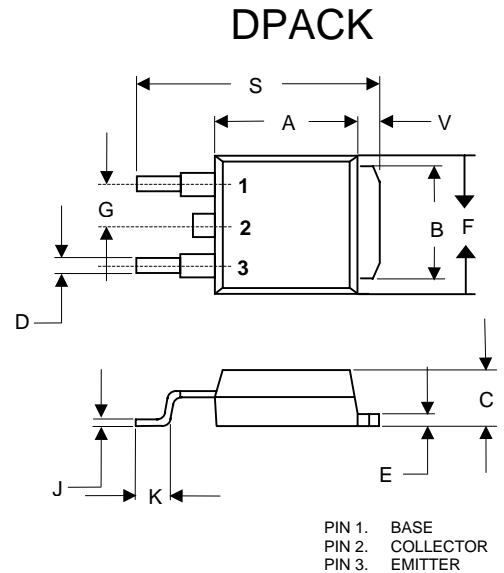
### Maximum Ratings @ 25°C Unless Otherwise Specified

Symbol	Rating	Rating	Unit
V <sub>CEO</sub>	Collector-Emitter Voltage	-100	V
V <sub>CBO</sub>	Collector-Base Voltage	-100	V
V <sub>EBO</sub>	Emitter-Base Voltage	-5	V
I <sub>C</sub>	Collector Current-Continuous	-3	A
P <sub>C</sub>	Collector Dissipation	1.25	W
T <sub>J</sub>	Operating Junction Temperature	150	°C
T <sub>STG</sub>	Storage Temperature	-65 to +150	°C

### Electrical Characteristics @ 25°C Unless Otherwise Specified

Symbol	Parameter	Min	Typ	Max	Units
V <sub>(BR)CEO</sub>	Collector-Emitter Breakdown Voltage (I <sub>C</sub> =-30mA, I <sub>B</sub> =0)	-100	---	---	Vdc
V <sub>(BR)CBO</sub>	Collector-Base Breakdown Voltage (I <sub>C</sub> =-1mA, I <sub>E</sub> =0)	-100	---	---	Vdc
V <sub>(BR)EBO</sub>	Emitter-Base Breakdown Voltage (I <sub>E</sub> =-1mA, I <sub>C</sub> =0)	-5	---	---	Vdc
I <sub>CEO</sub>	Collector Cutoff Current (V <sub>CE</sub> =-60Vdc, I <sub>B</sub> =0)	---	---	-50	uAdc
I <sub>CES</sub>	Collector Cutoff Current (V <sub>CE</sub> =-100Vdc, V <sub>EB</sub> =0)	---	---	-20	uAdc
I <sub>EBO</sub>	Emitter Cutoff Current (V <sub>EB</sub> =-5Vdc, I <sub>C</sub> =0)	---	---	-1	mAdc
h <sub>FE</sub>	DC Current Gain (I <sub>C</sub> =-1Adc, V <sub>CE</sub> =-4Vdc) (I <sub>C</sub> =-3Adc, V <sub>CE</sub> =-4Vdc)	25 10	---	---	50
V <sub>CE(sat)</sub>	Collector-Emitter Saturation Voltage (I <sub>C</sub> =-3Adc, I <sub>B</sub> =-0.375Adc) (note 1)	---	---	-1.2	Vdc
V <sub>BE(on)</sub>	Base-Emitter Voltage (I <sub>C</sub> =-3Adc, V <sub>CE</sub> =-4Vdc) (note 1)	---	---	-1.8	Vdc
f <sub>T</sub>	Transition frequency (V <sub>CE</sub> =-10Vdc, I <sub>C</sub> =-0.5Adc, f <sub>T</sub> =1KHz)	3	---	---	MHz

Note: 1. Pulse Test: PW≤300μs, Duty Cycle≤2%



DIM	DIMENSIONS				NOTE
	INCHES		MM		
	MIN	MAX	MIN	MAX	
A	0.235	0.245	5.97	6.22	
B	0.205	0.215	5.21	5.46	
C	0.086	0.094	2.19	2.38	
D	0.025	0.035	0.64	0.89	
E	0.035	0.045	0.99	1.14	
F	0.250	0.265	6.35	6.73	
G	0.090		2.28		
J	0.018	0.023	0.48	0.58	
K	0.020	---	0.51	---	
S	0.370	0.410	9.40	10.42	
V	0.035	0.050	0.88	1.27	

## TYPICAL CHARACTERISTICS

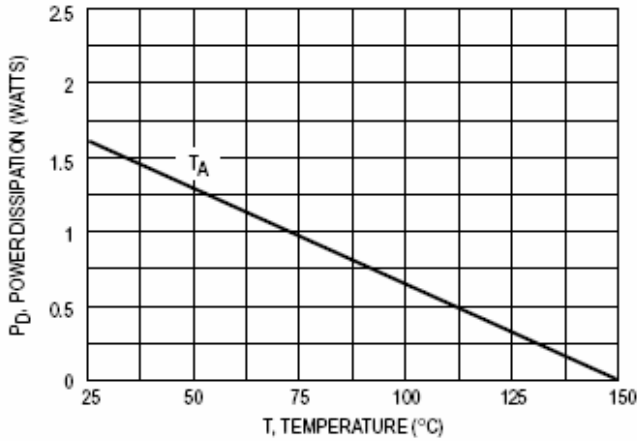
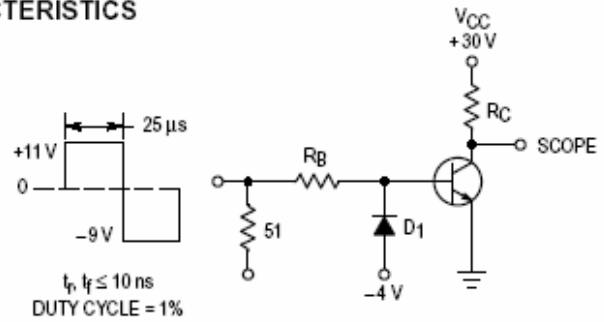


Figure 1. Power Derating



$R_B$  and  $R_C$  VARIED TO OBTAIN DESIRED CURRENT LEVELS  
 $D_1$  MUST BE FAST RECOVERY TYPE, e.g.:  
 1N5825 USED ABOVE  $I_B = 100$  mA  
 MSD6100 USED BELOW  $I_B = 100$  mA  
 REVERSE ALL POLARITIES FOR PNP.

Figure 2. Switching Time Test Circuit

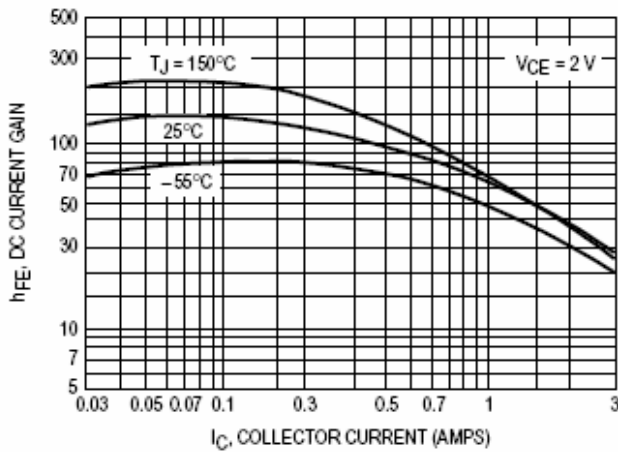


Figure 3. DC Current Gain

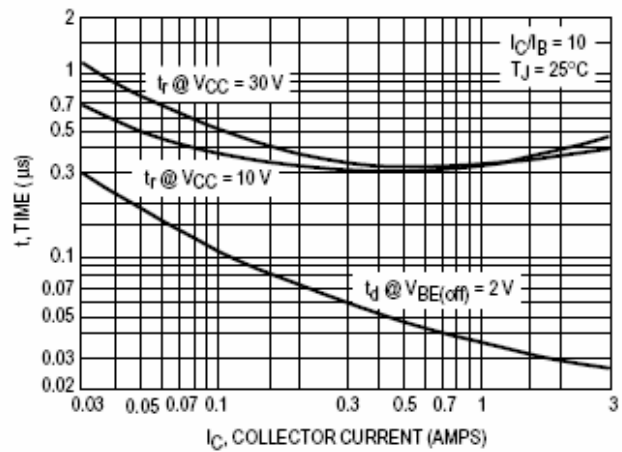


Figure 4. Turn-On Time

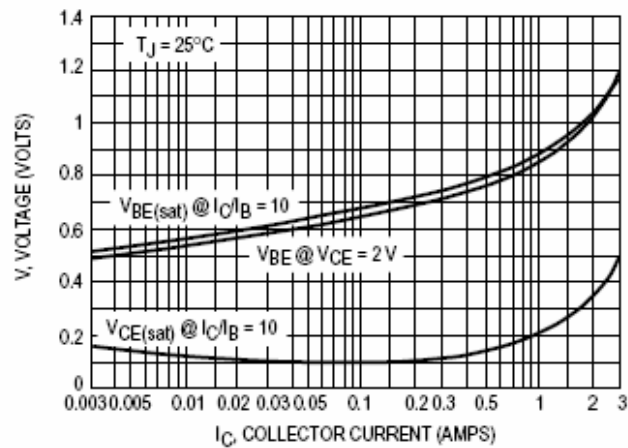


Figure 5. "On" Voltages

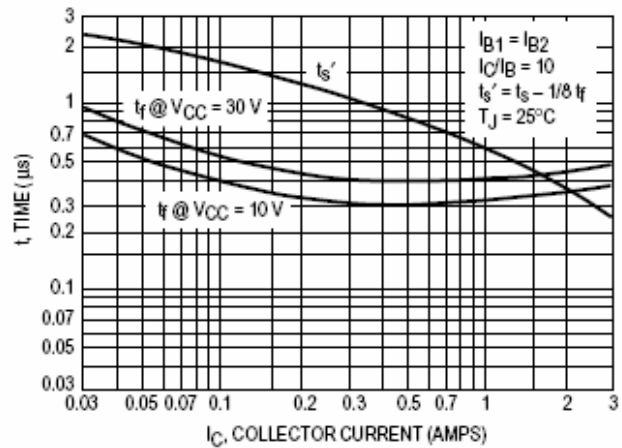


Figure 6. Turn-Off Time

# MJD32C

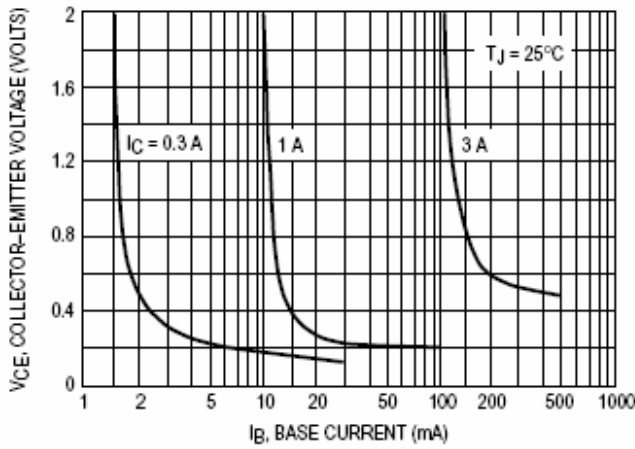


Figure 7. Collector Saturation Region

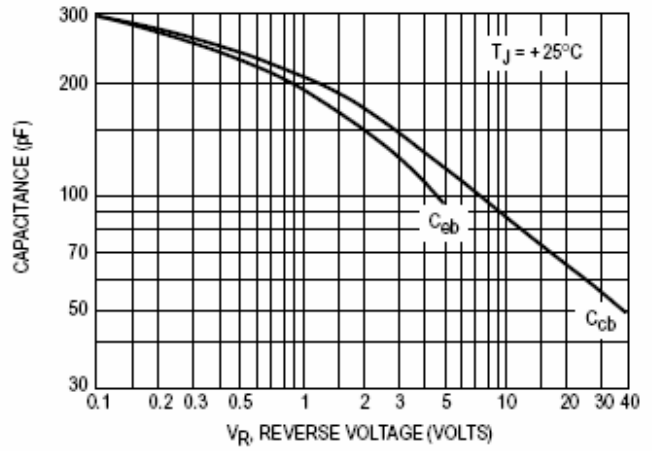


Figure 8. Capacitance

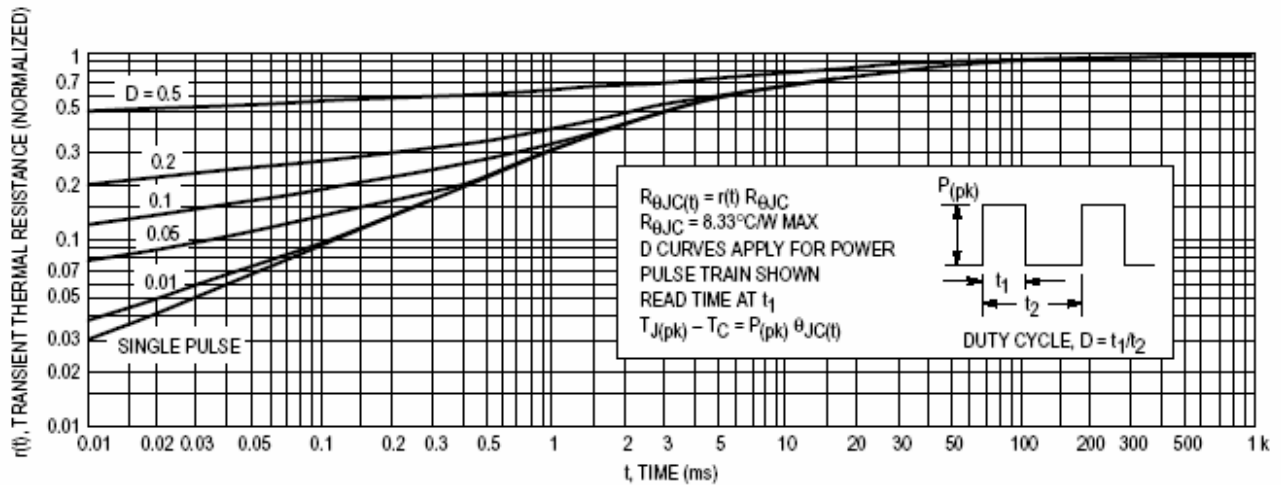


Figure 9. Thermal Response

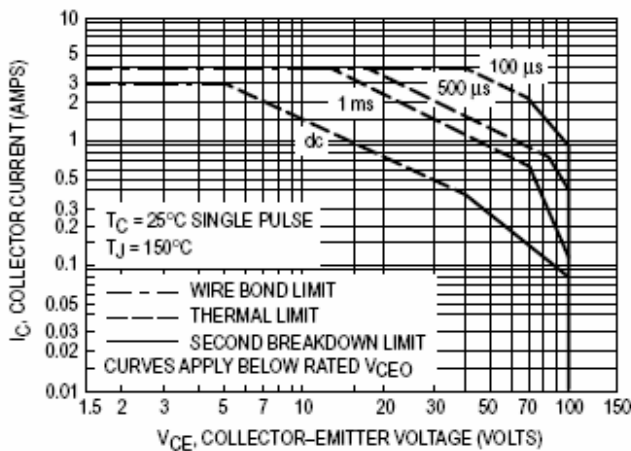


Figure 10. Active Region Safe Operating Area

There are two limitations on the power handling ability of a transistor: average junction temperature and second breakdown. Safe operating area curves indicate  $I_C - V_{CE}$  limits of the transistor that must be observed for reliable operation; i.e., the transistor must not be subjected to greater dissipation than the curves indicate.

The data of Figure 10 is based on  $T_{J(pk)} = 150^\circ\text{C}$ ;  $T_C$  is variable depending on conditions. Second breakdown pulse limits are valid for duty cycles to 10% provided  $T_{J(pk)} \leq 150^\circ\text{C}$ .  $T_{J(pk)}$  may be calculated from the data in Figure 9. At high case temperatures, thermal limitations will reduce the power that can be handled to values less than the limitations imposed by second breakdown.



Micro Commercial Components

## Ordering Information

Device	Packing
(Part Number)-TP	Tape&Reel;2.5Kpcs/Reel

### \*\*\*IMPORTANT NOTICE\*\*\*

*Micro Commercial Components Corp.* reserves the right to make changes without further notice to any product herein to make corrections, modifications, enhancements, improvements, or other changes. *Micro Commercial Components Corp.* does not assume any liability arising out of the application or use of any product described herein; neither does it convey any license under its patent rights, nor the rights of others. The user of products in such applications shall assume all risks of such use and will agree to hold *Micro Commercial Components Corp.* and all the companies whose products are represented on our website, harmless against all damages.

### \*\*\*LIFE SUPPORT\*\*\*

MCC's products are not authorized for use as critical components in life support devices or systems without the expresse written approval of Micro Commercial Components Corporation.

[www.mccsemi.com](http://www.mccsemi.com)



Компания «ЭлектроПласт» предлагает заключение долгосрочных отношений при поставках импортных электронных компонентов на взаимовыгодных условиях!

Наши преимущества:

- Оперативные поставки широкого спектра электронных компонентов отечественного и импортного производства напрямую от производителей и с крупнейших мировых складов;
- Поставка более 17-ти миллионов наименований электронных компонентов;
- Поставка сложных, дефицитных, либо снятых с производства позиций;
- Оперативные сроки поставки под заказ (от 5 рабочих дней);
- Экспресс доставка в любую точку России;
- Техническая поддержка проекта, помощь в подборе аналогов, поставка прототипов;
- Система менеджмента качества сертифицирована по Международному стандарту ISO 9001;
- Лицензия ФСБ на осуществление работ с использованием сведений, составляющих государственную тайну;
- Поставка специализированных компонентов (Xilinx, Altera, Analog Devices, Intersil, Interpoint, Microsemi, Aeroflex, Peregrine, Syfer, Eurofarad, Texas Instrument, Miteq, Cobham, E2V, MA-COM, Hittite, Mini-Circuits, General Dynamics и др.);

Помимо этого, одним из направлений компании «ЭлектроПласт» является направление «Источники питания». Мы предлагаем Вам помощь Конструкторского отдела:

- Подбор оптимального решения, техническое обоснование при выборе компонента;
- Подбор аналогов;
- Консультации по применению компонента;
- Поставка образцов и прототипов;
- Техническая поддержка проекта;
- Защита от снятия компонента с производства.



#### Как с нами связаться

**Телефон:** 8 (812) 309 58 32 (многоканальный)

**Факс:** 8 (812) 320-02-42

**Электронная почта:** [org@eplast1.ru](mailto:org@eplast1.ru)

**Адрес:** 198099, г. Санкт-Петербург, ул. Калинина, дом 2, корпус 4, литера А.