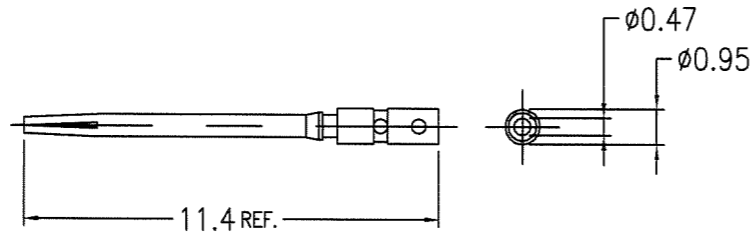
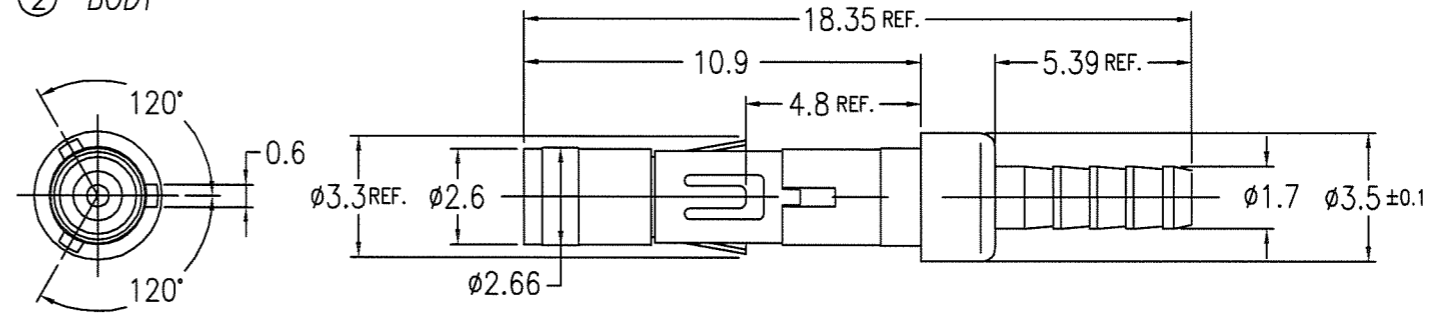


PRODUCT NO.	CABLES
62435-001	RG196A/U
-001LF	RG178B/U
	0.8DS-PBE
62435-101	RG196A/U
-101LF	RG178B/U
	0.8DS-PBE

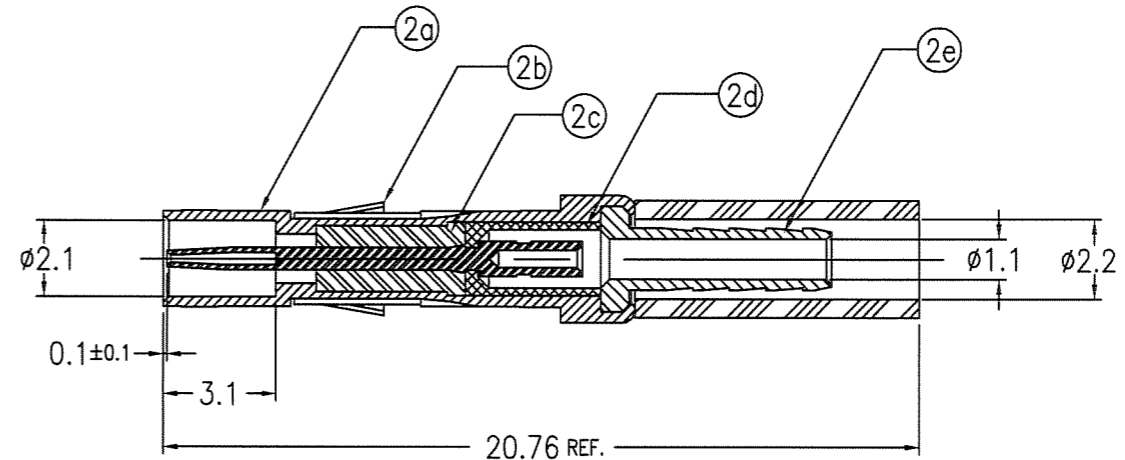
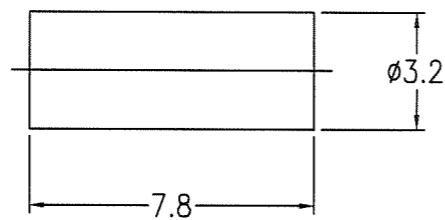
① INNER CONTACT



② BODY



③ CRIMP SLEEVE



AFTER ASSY

NOTES

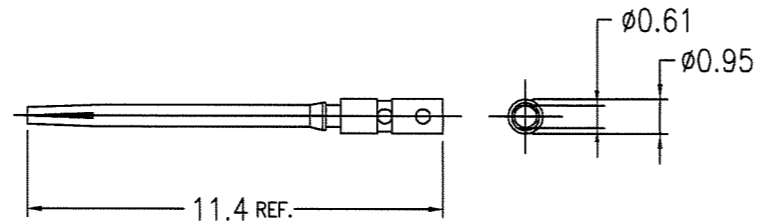
- PULL OUT FOR OF CENTER CONTACT MUST BE 0.2N MIN. / 0.8N MAX.
- ASSEMBLE PRODUCT WITH TOOL HT430 USE INSERTS EPL 193460-001
- FOR LEAD FREE P/N, THE PRODUCT MEET EUROPEAN UNION DIRECTIVES AND OTHER COUNTRY REGULATIONS AS DESCRIBED IN GS-22-008
- THE PRODUCT IS NOT INTENDED TO BE EXPOSED TO A MANUFACTURING SOLDER PROCESS.

No.	DESCRIPTION	MATERIAL	PLATING
①	INNER CONTACT	BERYLLIUM COPPER	Au 1.27um MIN. (FOR -001) Au 0.8um MIN. (FOR -101)
②	BODY		
②a	SHELL	BRASS	Au 1.27um MIN. (FOR -001) Au 0.8um MIN. (FOR -101)
②b	SPRING CLIP	BERYLLIUM COPPER	Ni 1.27um MIN.
②c	FRONT INSULATOR	PTFE	
②d	REAR INSULATOR	PTFE	
②e	FERRULE	BRASS	Au 0.05um MIN.
③	CRIMP SLEEVE	BRASS	Au 0.05um MIN. (FOR -001) Ni 1.27um MIN. (FOR -101)

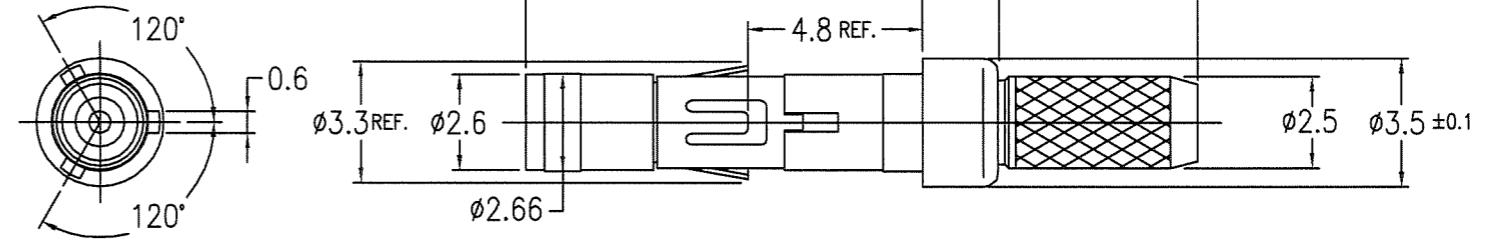
mat'l. code				surface		tolerance		projection		product family		CODE
---				ISO 1302		ISO 406 ISO 1101		MM		METRAL		JP
ltr	description	ecn no	dr	date	tolerances unless otherwise specified			title				
D	REVISED	J00331	Y.K	5/10/'00	angles	linear	0.X	±0.2	METRAL MINICOAX CONTACT KIT FEMALE SOLDER-TO-WIRE			
E	REVISED	J00951	Y.K	12/12/'00			0.XX	±0.2				
F	REVISED	J10393	Y.K	7/6/'01			0.XXX	±0.2				
G	REVISED	J20204	Y.K	4/10/'02	dr	Y.KODAIRA	1/28/'99	scale 5:1		sheet 1 of 8 size		
H	REVISED	J03-0172	Y.K	4/10/'03	enr	S.OKUDAIRA	1/22/'07	FCJ		62435 A3		
J	REVISED	J05-0670	T.S	10/21/'05	chr	R. Shoji	4/22/'07	type		Customer Drawing		
K	REVISED	J07-0039	S.O	1/22/'07	appd	S. Okudaira	1/22/'07					
sheet	revision	K	F	E	E	D	C	C	C			Rev.
index	sheet	1	2	3	4	5	6	7	8			K

PRODUCT NO.	CABLES
62435-002	RG188A/U
-002LF	RG316/U
62435-102	RG188A/U
-102LF	RG316/U

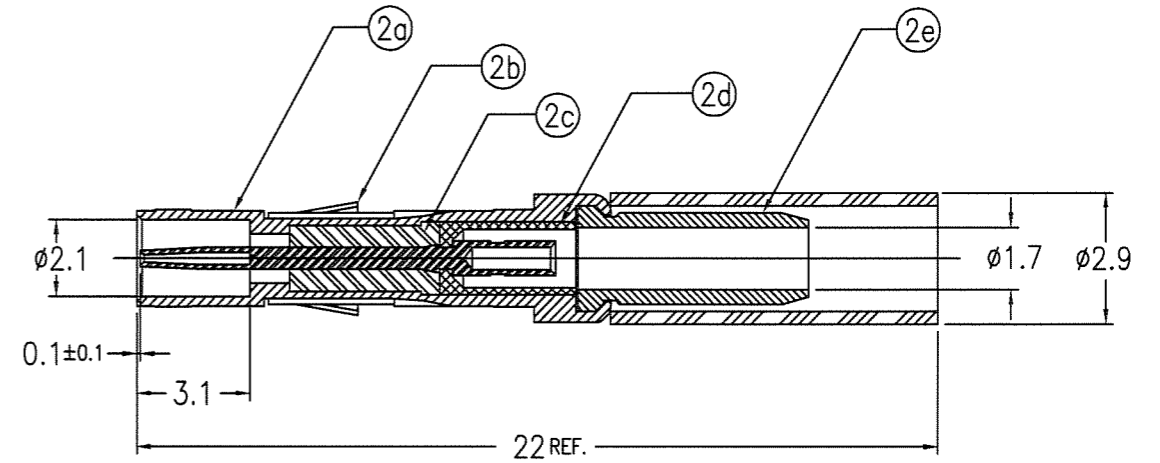
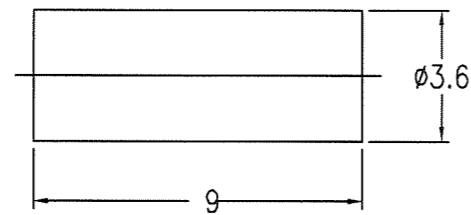
① INNER CONTACT



② BODY



③ CRIMP SLEEVE



No.	DESCRIPTION	MATERIAL	
①	INNER CONTACT	BERYLLIUM COPPER	Au 1.27um MIN. (FOR -002) Au 0.8um MIN. (FOR -102)
②	BODY		
②a	SHELL	BRASS	Au 1.27um MIN. (FOR -002) Au 0.8um MIN. (FOR -102)
②b	SPRING CLIP	BERYLLIUM COPPER	Ni 1.27um MIN.
②c	FRONT INSULATOR	PTFE	
②d	REAR INSULATOR	PTFE	
②e	FERRULE	BRASS	Au 0.05um MIN.
③	CRIMP SLEEVE	BRASS	Au 0.05um MIN. (FOR -002) Ni 1.27um MIN. (FOR -102)

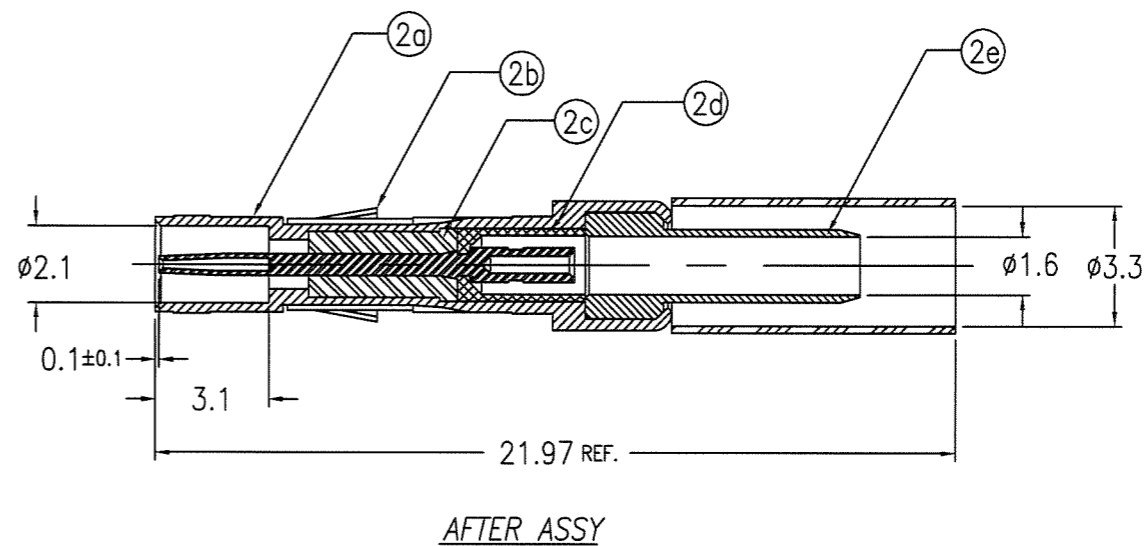
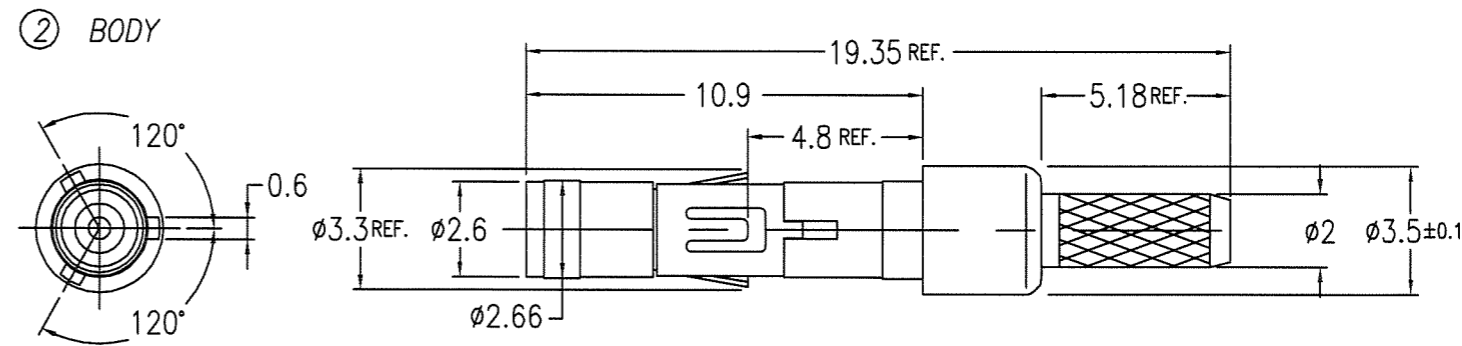
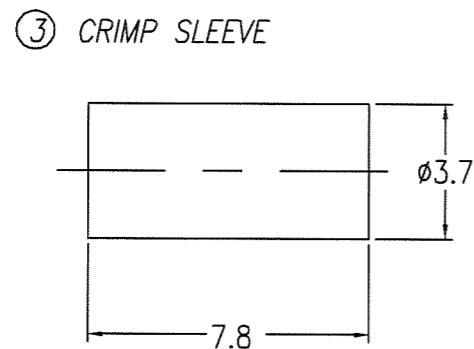
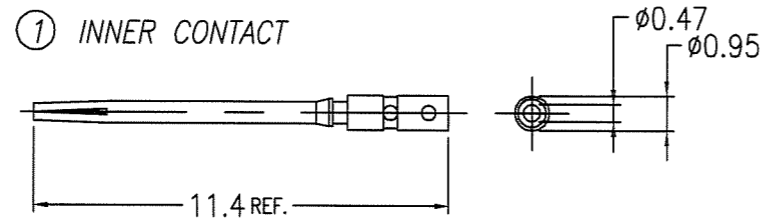
NOTES

- PULL OUT FOR OF CENTER CONTACT MUST BE 0.2N MIN. / 0.8N MAX.
- ASSEMBLE PRODUCT WITH TOOL HT430 USE INSERTS EPL 193460-001
- FOR LEAD FREE P/N, THE PRODUCT MEET EUROPEAN UNION DIRECTIVES AND OTHER COUNTRY REGULATIONS AS DESCRIBED IN GS-22-008
- THE PRODUCT IS NOT INTENDED TO BE EXPOSED TO A MANUFACTURING SOLDER PROCESS.

AFTER ASSY

mat'l. code ---				surface ISO 1302 ✓	tolerance ISO 406 ISO 1101	projection	product family METRAL	CODE JP
ltr	description	ecn no	dr	date	tolerances unless otherwise specified	MM	title	sheet 2 of size A3
A	REVISED	J90110	Y.K	3/31/99	0.X ±0.2			
B	REVISED	J00062	Y.K	1/21/00	angles linear 0.XX ±0.2	scale 5:1	METRAL MINICOAX CONTACT KIT FEMALE SOLDER-TO-WIRE	62435
C	REVISED	J00331	Y.K	5/10/00	0'±3' 0.XXX ±0.2			
D	REVISED	J20204	Y.K	4/10/02	dr Y.KODAIRA 3/31/99	FCJ	type Customer Drawing	Rev. F
E	REVISED	J05-0670	T.S	10/21/05	enr S.OKUDAIRA 1/22/07			
F	REVISED	J07-0039	S.O	1/22/07	chr R. Honyi 1/22/07			
sheet index		revision sheet		appd J. Onda 1/22/07				

PRODUCT NO.	CABLES	CABLES
62435-003	DOUBLE SHIELDED TYPE M17/152-0001(HARBOUR INDUSTRIES)	
-003LF		
62435-103	DOUBLE SHIELDED TYPE M17/152-0001(HARBOUR INDUSTRIES)	
-103LF		



No.	DESCRIPTION	MATERIAL	PLATING
①	INNER CONTACT	BERYLLIUM COPPER	Au 1.27um MIN. (FOR -003) Au 0.8um MIN. (FOR -103)
②	BODY		
②a	SHELL	BRASS	Au 1.27um MIN. (FOR -003) Au 0.8um MIN. (FOR -103)
②b	SPRING CLIP	BERYLLIUM COPPER	Ni 1.27um MIN.
②c	FRONT INSULATOR	PTFE	
②d	REAR INSULATOR	PTFE	
②e	FERRULE	BRASS	Au 0.05um MIN.
③	CRIMP SLEEVE	BRASS	Au 0.05um MIN. (FOR -003) Ni 1.27um MIN. (FOR -103)

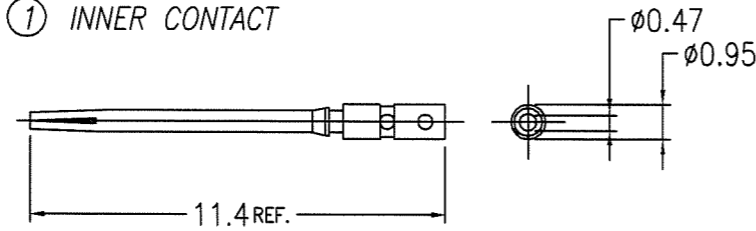
NOTES

- PULL OUT FOR OF CENTER CONTACT MUST BE 0.2N MIN. / 0.8N MAX.
- ASSEMBLE PRODUCT WITH TOOL HT430 USE INSERTS EPL 193460-001
- FOR LEAD FREE P/N, THE PRODUCT MEET EUROPEAN UNION DIRECTIVES AND OTHER COUNTRY REGULATIONS AS DESCRIBED IN GS-22-008
- THE PRODUCT IS NOT INTENDED TO BE EXPOSED TO A MANUFACTURING SOLDER PROCESS.

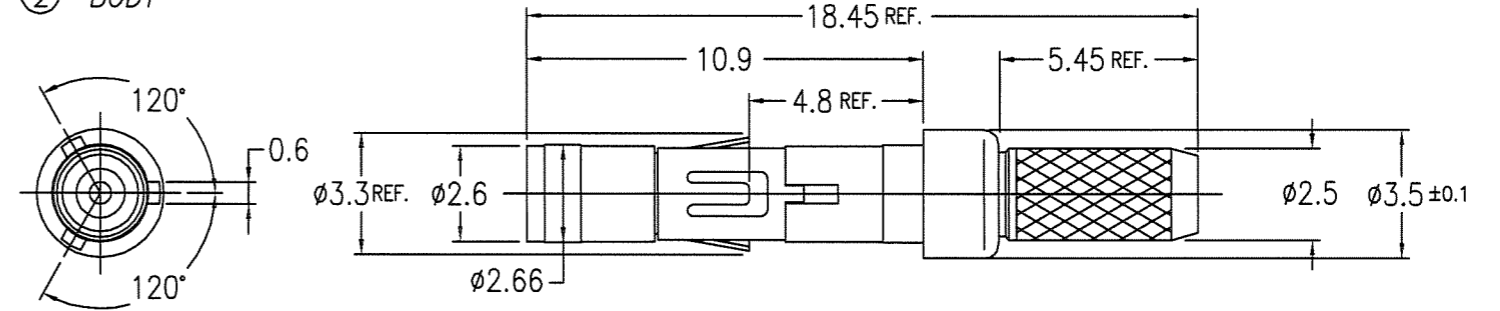
mat'l. code				surface ISO 1302		tolerance ISO 406 ISO 1101		projection		product family METRAL		CODE JP
---				ISO 1302		ISO 406 ISO 1101		MM		METRAL		JP
ltr	description	ecn no	dr	date	tolerances unless otherwise specified			MM		title		
A	RELEASED	J90036	Y.K	1/28/'99	angles	linear	0.X	±0.2	METRAL MINICOAX CONTACT KIT FEMALE SOLDER-TO-WIRE			
B	REVISED	J00062	Y.K	1/21/'00	0'±3'		0.XX	±0.2				
C	REVISED	J00331	Y.K	5/10/'00			0.XXX	±0.2	scale 5:1			
D	REVISED	J05-0670	T.S	10/21/'05	dr	Y.KODAIRA	1/28/'99	FCJ				
E	REVISED	J07-0039	S.O	1/22/'07	enr	S.OKUDAIRA	1/22/'07					
					chr	R. Shoyi	1/22/'07					
					appd	S. Okudaira	1/22/'07	sheet 3 of		size		
sheet index		revision sheet						62435		A3		
								type		Customer Drawing		
										Rev. E		

PRODUCT NO.	CABLES
62435-004	1.5C-XV (SUMITOMO)
-004LF	1.5C-QEV.CW (FUJIKURA)
62435-104	1.5C-XV (SUMITOMO)
-104LF	1.5C-QEV.CW (FUJIKURA)

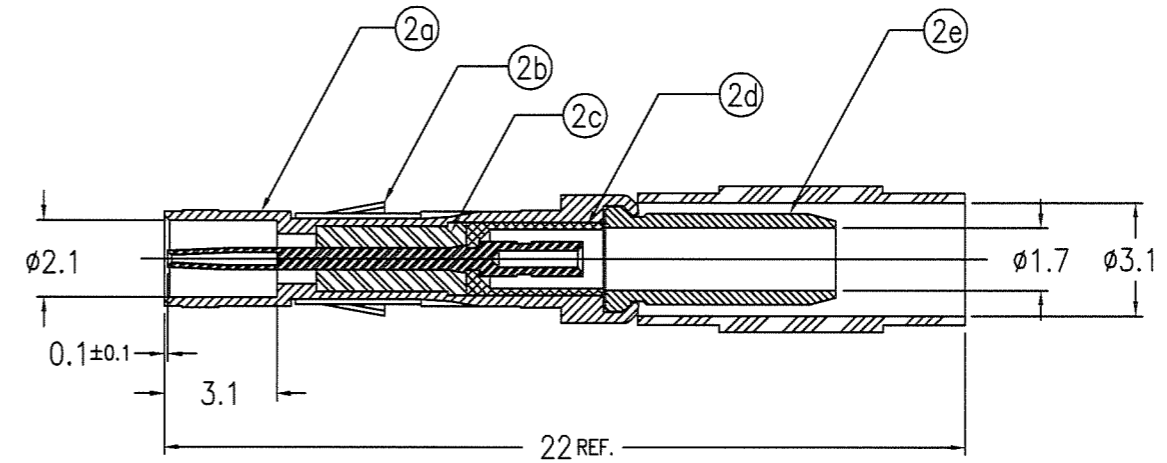
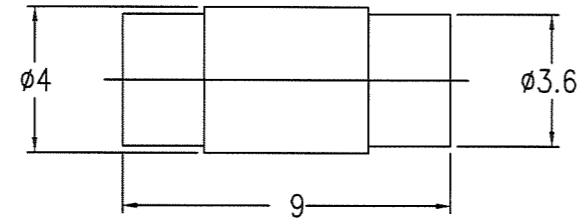
① INNER CONTACT



② BODY



③ CRIMP SLEEVE



AFTER ASSY

No.	DESCRIPTION	MATERIAL	PLATING
①	INNER CONTACT	BERYLLIUM COPPER	Au 1.27um MIN. (FOR -004) Au 0.8um MIN. (FOR -104)
②	BODY		
②a	SHELL	BRASS	Au 1.27um MIN. (FOR -004) Au 0.8um MIN. (FOR -104)
②b	SPRING CLIP	BERYLLIUM COPPER	Ni 1.27um MIN.
②c	FRONT INSULATOR	PTFE	
②d	REAR INSULATOR	PTFE	
②e	FERRULE	BRASS	Au 0.05um MIN.
③	CRIMP SLEEVE	BRASS	Au 0.05um MIN. (FOR -004) Ni 1.27um MIN. (FOR -104)

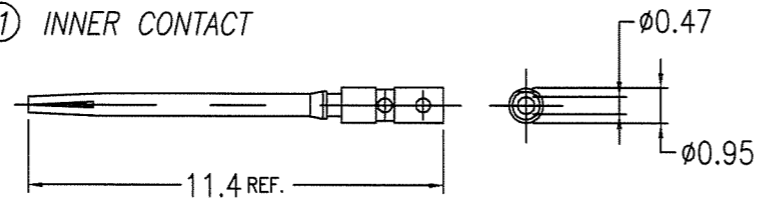
NOTES

- PULL OUT FOR OF CENTER CONTACT MUST BE 0.2N MIN. / 0.8N MAX.
- ASSEMBLE PRODUCT WITH TOOL HT430 USE INSERTS EPL 193460-001
- FOR LEAD FREE P/N, THE PRODUCT MEET EUROPEAN UNION DIRECTIVES AND OTHER COUNTRY REGULATIONS AS DESCRIBED IN GS-22-008
- THE PRODUCT IS NOT INTENDED TO BE EXPOSED TO A MANUFACTURING SOLDER PROCESS.

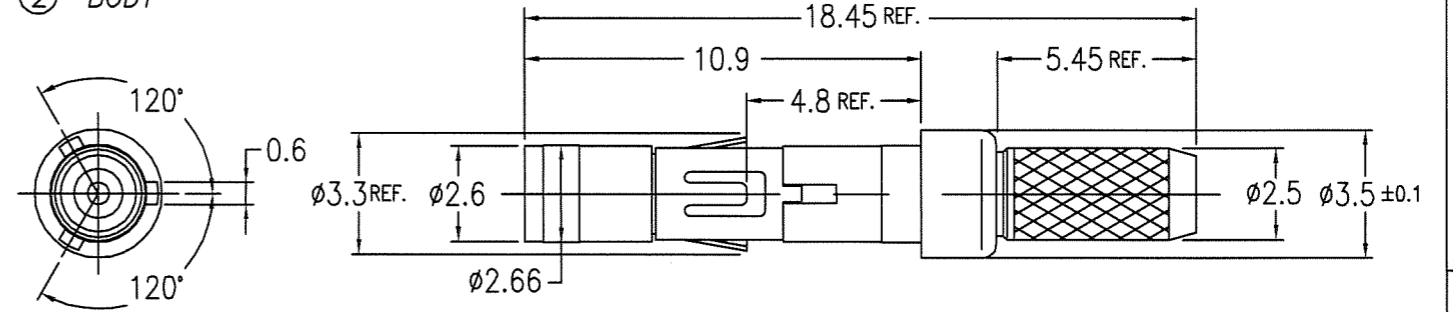
mat'l. code ---				surface ISO 1302 ✓	tolerance ISO 406 ISO 1101	projection	product family METRAL	CODE JP
ltr	description	ecn no	dr	date	tolerances unless otherwise specified		MM	title METRAL MINICOAX CONTACT KIT FEMALE SOLDER-TO-WIRE
A	RELEASED	J90036	Y.K	1/28/'99	angles	linear		
B	REVISED	J00062	Y.K	1/21/'00	0.X ±0.2	0.XX ±0.2	scale 5:1	sheet 4 of size A3
C	REVISED	J00331	Y.K	5/10/'00	0'±3'	0.XXX ±0.2		
D	REVISED	J05-0670	T.S	10/21/'05	dr	Y.KODAIRA	1/28/'99	type Customer Drawing
E	REVISED	J07-0039	S.O	1/22/'07	enr	S.OKUDAIRA	1/22/'07	
					chr	R. Shoyji	1/22/'07	Rev. E
					appd	S. Madans	1/22/'07	
sheet index	revision sheet							

PRODUCT NO.	CABLES
62435-005	1.5C-XW (SUMITOMO)
-005LF	
62435-105	1.5C-XW (SUMITOMO)
-105LF	

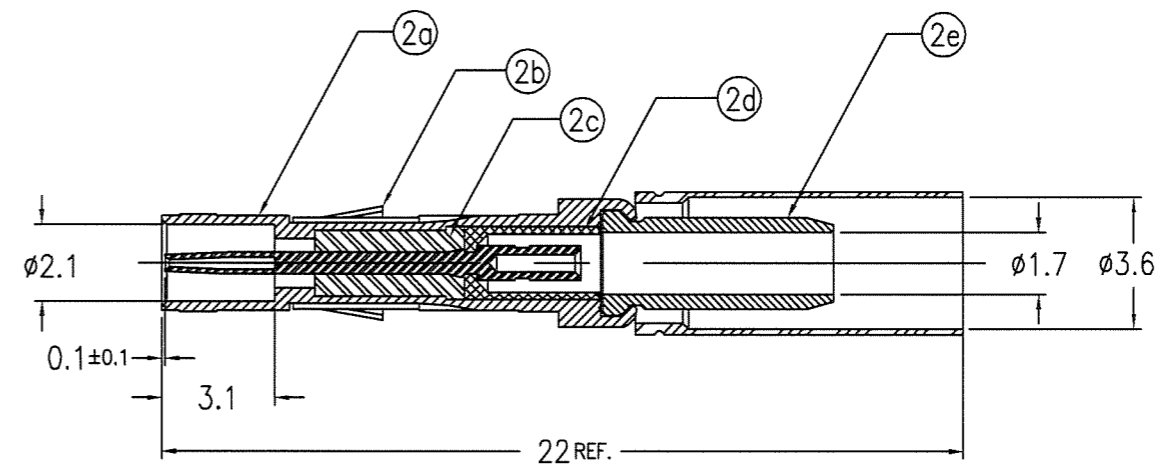
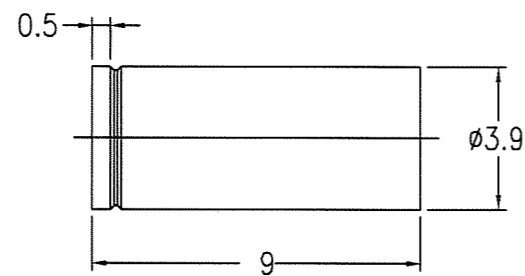
① INNER CONTACT



② BODY



② CRIMP SLEEVE



AFTER ASSY

No.	DESCRIPTION	MATERIAL	PLATING
①	INNER CONTACT	BERYLLIUM COPPER	Au 1.27um MIN. (FOR -005) Au 0.8um MIN. (FOR -105)
②	BODY		
②a	SHELL	BRASS	Au 1.27um MIN. (FOR -005) Au 0.8um MIN. (FOR -105)
②b	SPRING CLIP	BERYLLIUM COPPER	Ni 1.27um MIN.
②c	FRONT INSULATOR	PTFE	
②d	REAR INSULATOR	PTFE	
②e	FERRULE	BRASS	Au 0.05um MIN.
③	CRIMP SLEEVE	BRASS	Au 0.05um MIN. (FOR -005) Ni 1.27um MIN. (FOR -105)

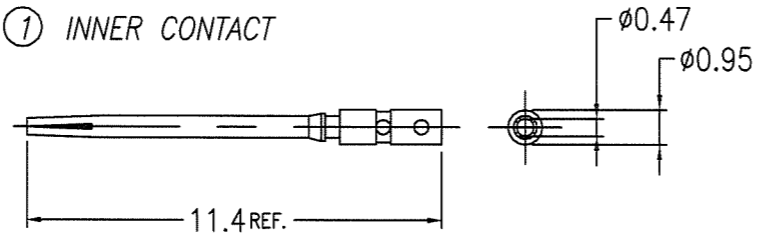
NOTES

- PULL OUT FOR OF CENTER CONTACT MUST BE 0.1N MIN. / 0.8N MAX.
- ASSEMBLE PRODUCT WITH TOOL HT430 USE INSERTS EPL 193460-001
- FOR LEAD FREE P/N, THE PRODUCT MEET EUROPEAN UNION DIRECTIVES AND OTHER COUNTRY REGULATIONS AS DESCRIBED IN GS-22-008
- THE PRODUCT IS NOT INTENDED TO BE EXPOSED TO A MANUFACTURING SOLDER PROCESS.

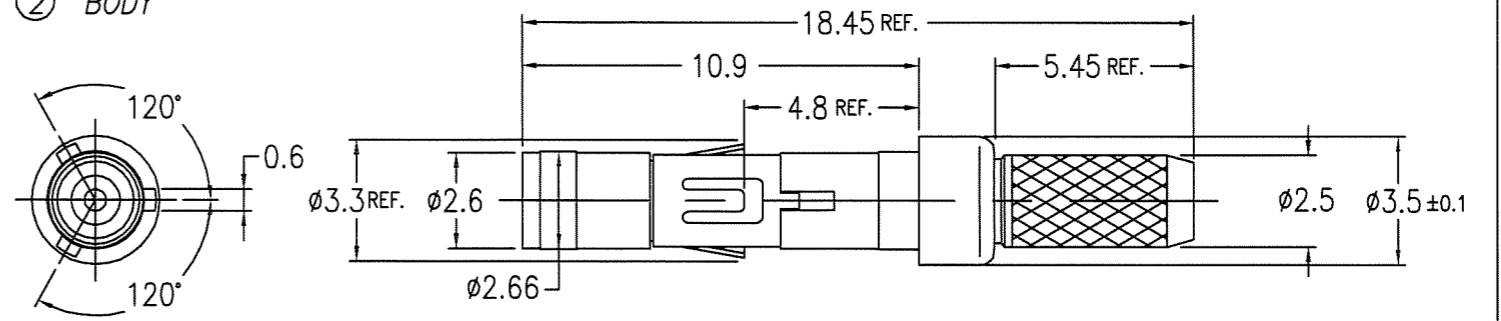
mat'l. code ---				surface ISO 1302 ✓	tolerance ISO 406 ISO 1101	projection	product family METRAL	CODE JP
ltr	description	ecn no	dr	date	tolerances unless otherwise specified	 MM	title METRAL MINICOAX CONTACT KIT FEMALE SOLDER-TO-WIRE	sheet 5 of size A3
A	RELEASED	J00062	Y.K	1/21/00	angles linear 0.X ±0.2			
B	REVISED	J00331	Y.K	5/10/00	0.XX ±0.2			
C	REVISED	J05-0670	T.S	10/21/05	0'±3' 0.XXX ±0.2			
D	REVISED	J07-0039	S.O	1/22/07	dr Y.KODAIRA 1/21/00	scale 5:1	dwg no 62435	sheet 5 of A3
					enr S.OKUDAIRA 1/22/07		type Customer Drawing	Rev. D
					chr R. Shoyi 1/22/07			
					appd S. Okudaira 1/22/07			
sheet index	revision sheet							

PRODUCT NO.	CABLES
62435-006	RG187A/U
-006LF	RG179B/U
62435-106	RG187A/U
-106LF	RG179B/U

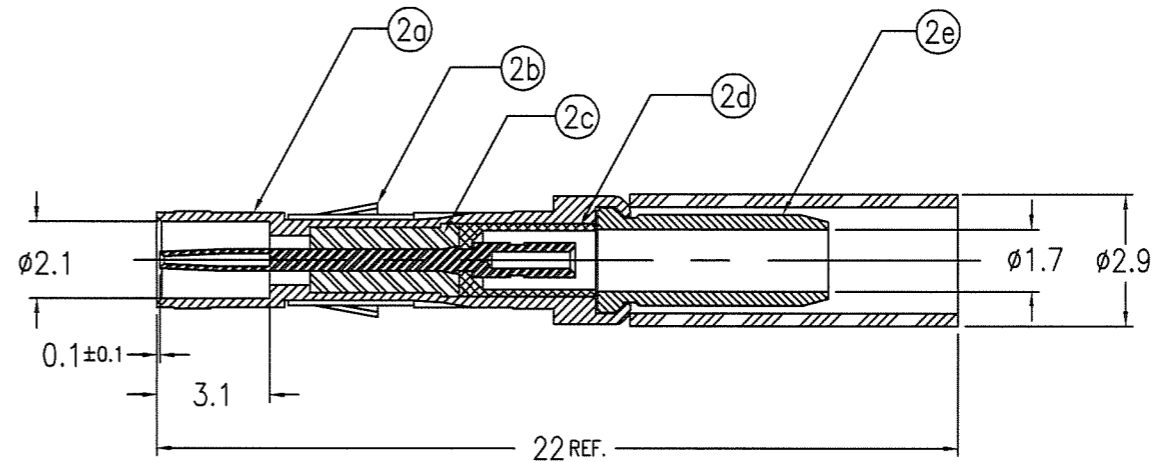
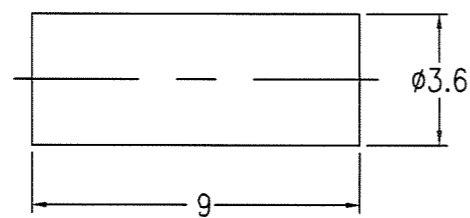
① INNER CONTACT



② BODY



③ CRIMP SLEEVE



AFTER ASSY

No.	DESCRIPTION	MATERIAL	PLATING
①	INNER CONTACT	BERYLLIUM COPPER	Au 1.27um MIN. (FOR -006) Au 0.8um MIN. (FOR -106)
②	BODY		
②a	SHELL	BRASS	Au 1.27um MIN. (FOR -006) Au 0.8um MIN. (FOR -106)
②b	SPRING CLIP	BERYLLIUM COPPER	Ni 1.27um MIN.
②c	FRONT INSULATOR	PTFE	
②d	REAR INSULATOR	PTFE	
②e	FERRULE	BRASS	Au 0.05um MIN.
③	CRIMP SLEEVE	BRASS	Au 0.05um MIN. (FOR -006) Ni 1.27um MIN. (FOR -106)

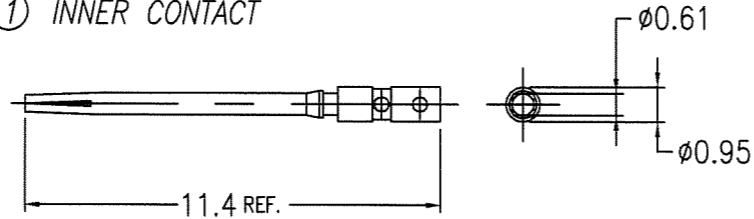
NOTES

- PULL OUT FOR OF CENTER CONTACT MUST BE 0.2N MIN. / 0.8N MAX.
- ASSEMBLE PRODUCT WITH TOOL HT430 USE INSERTS EPL 193460-001
- FOR LEAD FREE P/N, THE PRODUCT MEET EUROPEAN UNION DIRECTIVES AND OTHER COUNTRY REGULATIONS AS DESCRIBED IN GS-22-008
- THE PRODUCT IS NOT INTENDED TO BE EXPOSED TO A MANUFACTURING SOLDER PROCESS.

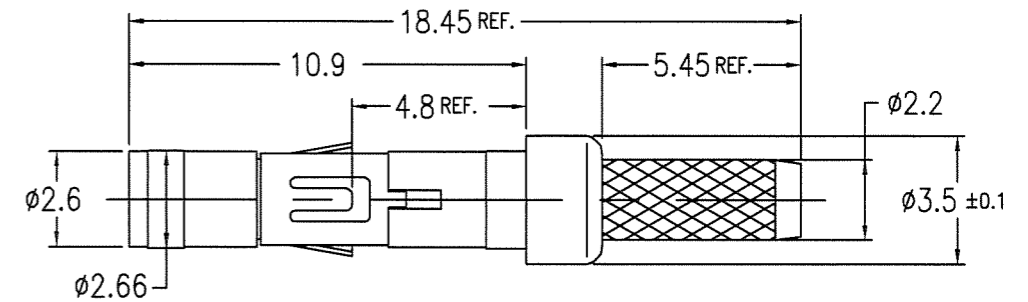
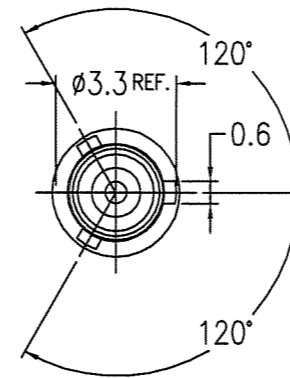
mat'l. code				surface ISO 1302		tolerance ISO 406 ISO 1101		projection MM		product family METRAL		CODE JP
ltr	description	ecn no	dr	date	tolerances unless otherwise specified		MM		title METRAL MINICOAX CONTACT KIT FEMALE SOLDER-TO-WIRE			
A	RELEASED	J00951	Y.K	12/12/00	angles	linear	0.X	±0.2	dwg no 62435 sheet 6 of A3 type Customer Drawing			
B	REVISED	J05-0670	T.S	10/21/05	0°±3'		0.XX	±0.2				
C	REVISED	J07-0039	S.O	1/22/07	dr	Y.KODAIRA	12/12/00					
					enr	S.OKUDAIRA	1/22/07					
					chr	R. Shouji	1/22/07					
					appd	S. Odaira	1/22/07					
sheet index	revision sheet											Rev. C

PRODUCT NO.	CABLES
62435-007	1.5DS-PBP
-007LF	
62435-107	1.5DS-PBP
-107LF	

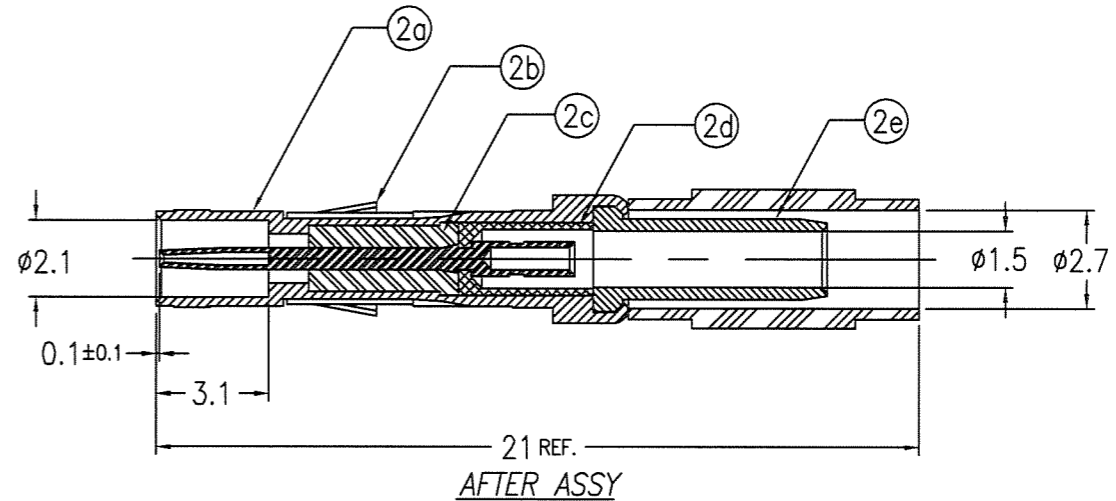
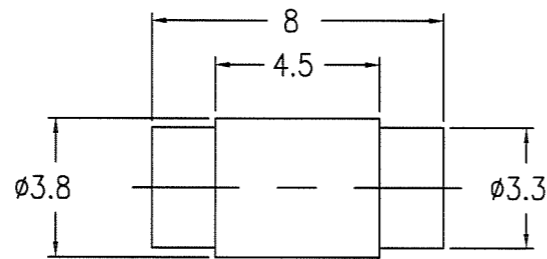
① INNER CONTACT



② BODY



③ CRIMP SLEEVE



No.	DESCRIPTION	MATERIAL	PLATING
①	INNER CONTACT	BERYLLIUM COPPER	Au 1.27um MIN. (FOR -001) Au 0.8um MIN. (FOR -101)
②	BODY		
②a	SHELL	BRASS	Au 1.27um MIN. (FOR -001) Au 0.8um MIN. (FOR -101)
②b	SPRING CLIP	BERYLLIUM COPPER	Ni 1.27um MIN.
②c	FRONT INSULATOR	PTFE	
②d	REAR INSULATOR	PTFE	
②e	FERRULE	BRASS	Au 0.05um MIN.
③	CRIMP SLEEVE	BRASS	Au 0.05um MIN. (FOR -001) Ni 1.27um MIN. (FOR -101)

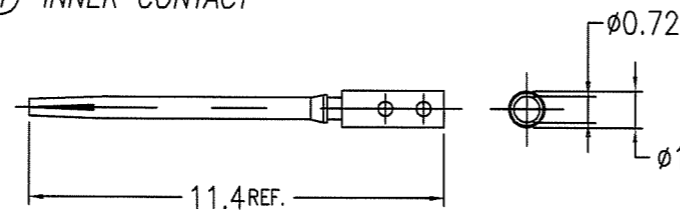
NOTES

- PULL OUT FOR OF CENTER CONTACT MUST BE 0.2N MIN. / 0.8N MAX.
- ASSEMBLE PRODUCT WITH TOOL HT430 USE INSERTS EPL 193460-001
- FOR LEAD FREE P/N, THE PRODUCT MEET EUROPEAN UNION DIRECTIVES AND OTHER COUNTRY REGULATIONS AS DESCRIBED IN GS-22-008
- THE PRODUCT IS NOT INTENDED TO BE EXPOSED TO A MANUFACTURING SOLDER PROCESS.

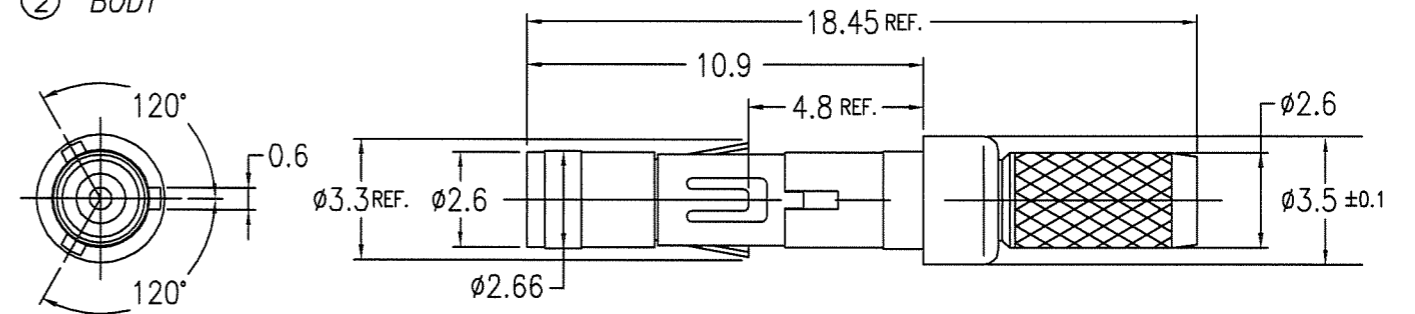
mat'l. code ---				surface ISO 1302 ✓	tolerance ISO 406 ISO 1101	projection	product family METRAL	CODE JP	
ltr	description	ecn no	dr	date	tolerances unless otherwise specified		MM	title METRAL MINICOAX CONTACT KIT FEMALE SOLDER-TO-WIRE	
A	RELEASED	J10393	Y.K	7/6/'01	angles	0.X ±0.2			
B	REVISED	J05-0670	T.S	10/21/'05	linear	0.XX ±0.2			
C	REVISED	J07-0039	S.O	1/22/'07	0'±3'	0.XXX ±0.2	scale 5:1		
				dr	Y.KODAIRA	7/6/'01	FCJ	sheet 7 of size A3	
				enr	S.OKUDAIRA	1/22/'07			
				chr	R. Shoyji	4/22/'07			
				appd	S. Okudaira	4/22/'07			
sheet index	revision sheet							type Customer Drawing	Rev. C

PRODUCT NO.	CABLES
62435-108	1.5DS-xx, 1.5D-xx
-108LF	

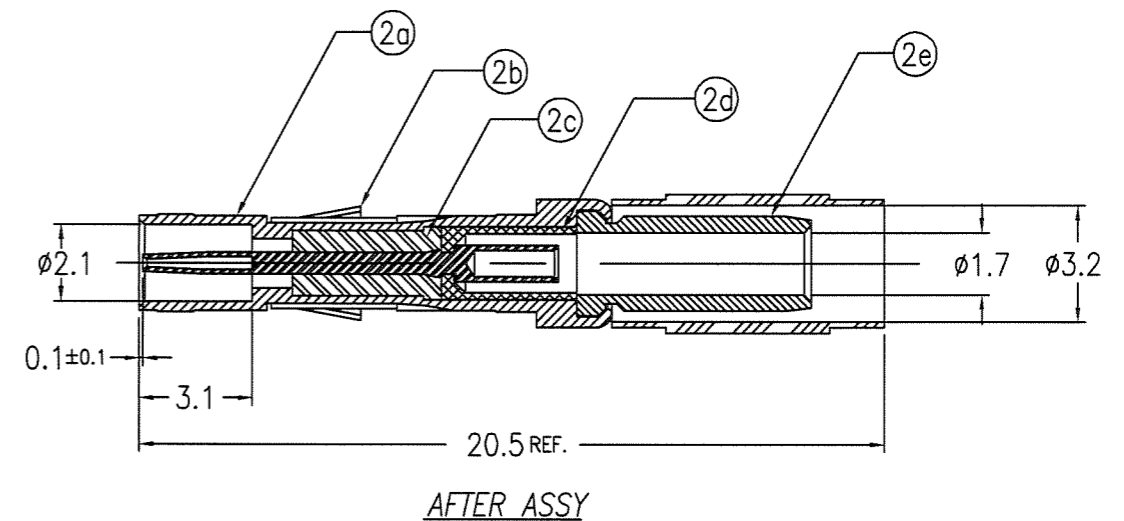
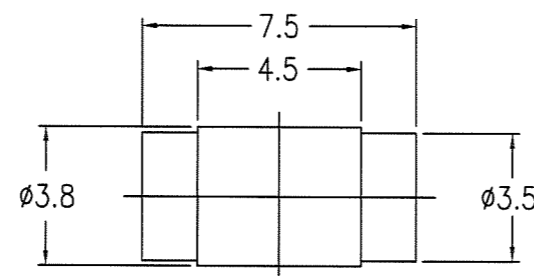
① INNER CONTACT



② BODY



③ CRIMP SLEEVE



No.	DESCRIPTION	MATERIAL	PLATING
①	INNER CONTACT	BERYLLIUM COPPER	Au 0.8um MIN.
②	BODY		
②a	SHELL	BRASS	Au 0.8um MIN.
②b	SPRING CLIP	BERYLLIUM COPPER	Ni 1.27um MIN.
②c	FRONT INSULATOR	PTFE	
②d	REAR INSULATOR	PTFE	
②e	FERRULE	BRASS	Au 0.05um MIN.
③	CRIMP SLEEVE	BRASS	Ni 1.27um MIN.

NOTES

- PULL OUT FOR OF CENTER CONTACT MUST BE 0.2N MIN. / 0.8N MAX.
- ASSEMBLE PRODUCT WITH TOOL HT430 USE INSERTS EPL 193460-001
- FOR LEAD FREE P/N, THE PRODUCT MEET EUROPEAN UNION DIRECTIVES AND OTHER COUNTRY REGULATIONS AS DESCRIBED IN GS-22-008
- THE PRODUCT IS NOT INTENDED TO BE EXPOSED TO A MANUFACTURING SOLDER PROCESS.

mat'l. code ---				surface ISO 1302 ✓	tolerance ISO 406 ISO 1101	projection	product family METRAL	CODE JP	
ltr	description	ecn no	dr	date	tolerances unless otherwise specified		MM	title METRAL MINICOAX CONTACT KIT FEMALE SOLDER-TO-WIRE	
A	RELEASED	J03-0172	Y.K	4/10/03	angles	0.X ±0.2			
B	REVISED	J05-0670	T.S	10/21/05	linear	0.XX ±0.2			
C	REVISED	J07-0039	S.O	1/22/07	0'±3'	0.XXX ±0.2	scale 5:1		
				dr	Y.KODAIRA	4/10/03	FCJ	sheet 8 of size A3	
				enr	S.OKUDAIRA	1/22/07			
				chr	R. Stowit	1/22/07			
				appd	S. Mochizuki	1/22/07			
sheet index	revision sheet							type Customer Drawing	Rev. C



Компания «ЭлектроПласт» предлагает заключение долгосрочных отношений при поставках импортных электронных компонентов на взаимовыгодных условиях!

Наши преимущества:

- Оперативные поставки широкого спектра электронных компонентов отечественного и импортного производства напрямую от производителей и с крупнейших мировых складов;
- Поставка более 17-ти миллионов наименований электронных компонентов;
- Поставка сложных, дефицитных, либо снятых с производства позиций;
- Оперативные сроки поставки под заказ (от 5 рабочих дней);
- Экспресс доставка в любую точку России;
- Техническая поддержка проекта, помощь в подборе аналогов, поставка прототипов;
- Система менеджмента качества сертифицирована по Международному стандарту ISO 9001;
- Лицензия ФСБ на осуществление работ с использованием сведений, составляющих государственную тайну;
- Поставка специализированных компонентов (Xilinx, Altera, Analog Devices, Intersil, Interpoint, Microsemi, Aeroflex, Peregrine, Syfer, Eurofarad, Texas Instrument, Miteq, Cobham, E2V, MA-COM, Hittite, Mini-Circuits, General Dynamics и др.);

Помимо этого, одним из направлений компании «ЭлектроПласт» является направление «Источники питания». Мы предлагаем Вам помощь Конструкторского отдела:

- Подбор оптимального решения, техническое обоснование при выборе компонента;
- Подбор аналогов;
- Консультации по применению компонента;
- Поставка образцов и прототипов;
- Техническая поддержка проекта;
- Защита от снятия компонента с производства.



Как с нами связаться

Телефон: 8 (812) 309 58 32 (многоканальный)

Факс: 8 (812) 320-02-42

Электронная почта: org@eplast1.ru

Адрес: 198099, г. Санкт-Петербург, ул. Калинина, дом 2, корпус 4, литера А.