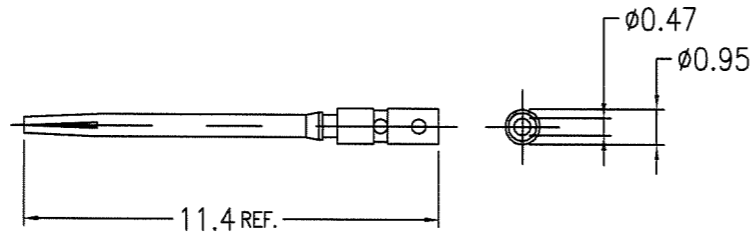
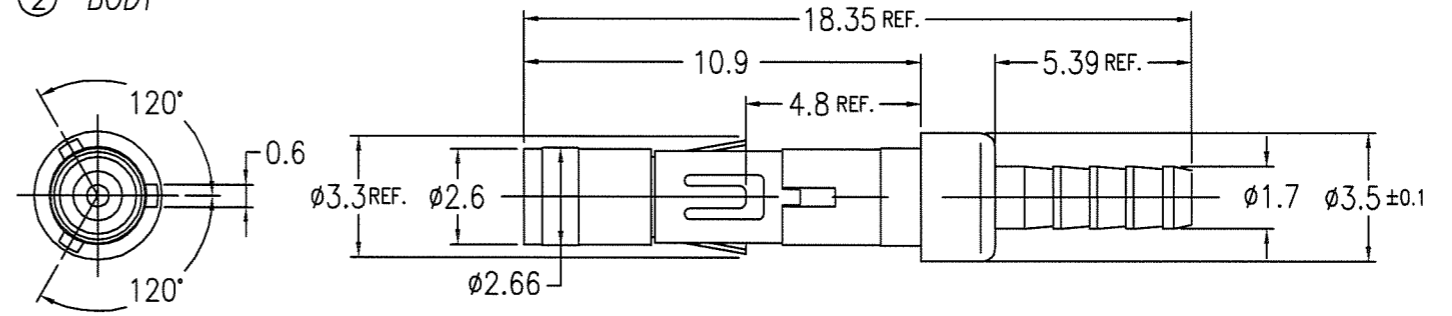


PRODUCT NO.	CABLES
62435-001	RG196A/U
-001LF	RG178B/U
	0.8DS-PBE
62435-101	RG196A/U
-101LF	RG178B/U
	0.8DS-PBE

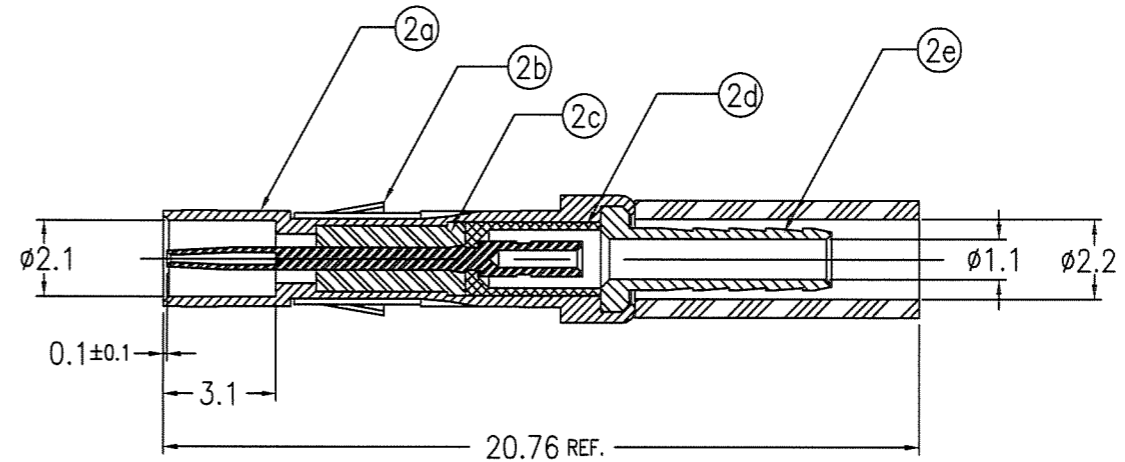
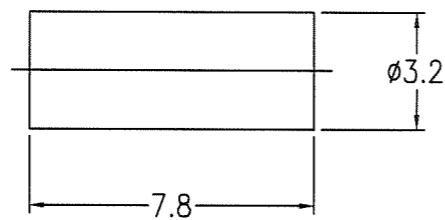
① INNER CONTACT



② BODY



③ CRIMP SLEEVE



AFTER ASSY

NOTES

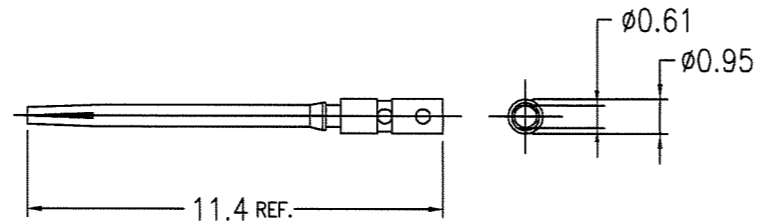
- PULL OUT FOR OF CENTER CONTACT MUST BE 0.2N MIN. / 0.8N MAX.
- ASSEMBLE PRODUCT WITH TOOL HT430 USE INSERTS EPL 193460-001
- FOR LEAD FREE P/N, THE PRODUCT MEET EUROPEAN UNION DIRECTIVES AND OTHER COUNTRY REGULATIONS AS DESCRIBED IN GS-22-008
- THE PRODUCT IS NOT INTENDED TO BE EXPOSED TO A MANUFACTURING SOLDER PROCESS.

No.	DESCRIPTION	MATERIAL	PLATING
①	INNER CONTACT	BERYLLIUM COPPER	Au 1.27um MIN. (FOR -001) Au 0.8um MIN. (FOR -101)
②	BODY		
②a	SHELL	BRASS	Au 1.27um MIN. (FOR -001) Au 0.8um MIN. (FOR -101)
②b	SPRING CLIP	BERYLLIUM COPPER	Ni 1.27um MIN.
②c	FRONT INSULATOR	PTFE	
②d	REAR INSULATOR	PTFE	
②e	FERRULE	BRASS	Au 0.05um MIN.
③	CRIMP SLEEVE	BRASS	Au 0.05um MIN. (FOR -001) Ni 1.27um MIN. (FOR -101)

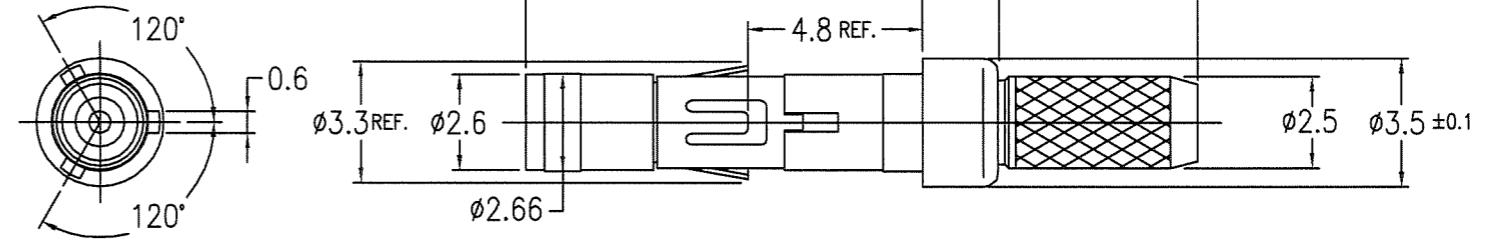
mat'l. code				surface		tolerance		projection		product family		CODE
---				ISO 1302		ISO 406 ISO 1101		MM		METRAL		JP
ltr	description	ecn no	dr	date	tolerances unless otherwise specified			MM		title		
D	REVISED	J00331	Y.K	5/10/'00	angles	linear	0.X	±0.2	METRAL MINICOAX CONTACT KIT FEMALE SOLDER-TO-WIRE			
E	REVISED	J00951	Y.K	12/12/'00		0.XX	±0.2					
F	REVISED	J10393	Y.K	7/6/'01		0'±3'	0.XXX	±0.2				
G	REVISED	J20204	Y.K	4/10/'02	dr	Y.KODAIRA	1/28/'99	scale 5:1		dwg no		sheet 1 of 8 size
H	REVISED	J03-0172	Y.K	4/10/'03	enr	S.OKUDAIRA	1/22/'07	FCJ		62435		A3
J	REVISED	J05-0670	T.S	10/21/'05	chr	R. Shoji	4/22/07	type		Customer Drawing		
K	REVISED	J07-0039	S.O	1/22/'07	appd	S. Okudaira	1/22/07					
sheet	revision	K	F	E	E	D	C	C	C			Rev.
index	sheet	1	2	3	4	5	6	7	8			K

PRODUCT NO.	CABLES
62435-002	RG188A/U
-002LF	RG316/U
62435-102	RG188A/U
-102LF	RG316/U

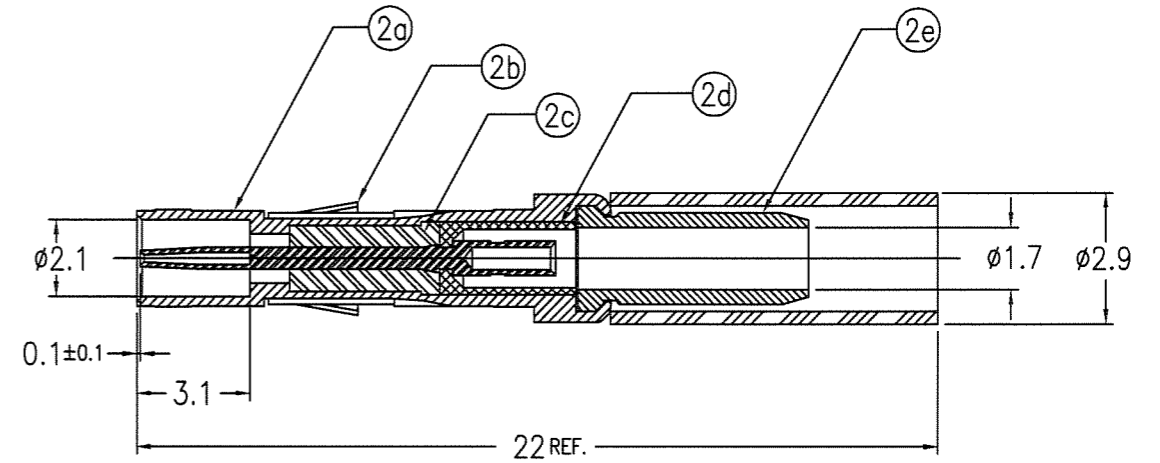
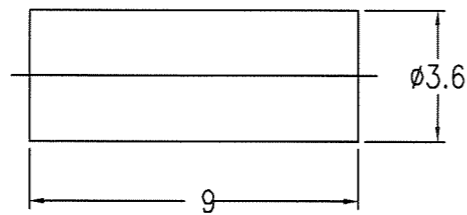
① INNER CONTACT



② BODY



③ CRIMP SLEEVE



No.	DESCRIPTION	MATERIAL	
①	INNER CONTACT	BERYLLIUM COPPER	Au 1.27um MIN. (FOR -002) Au 0.8um MIN. (FOR -102)
②	BODY		
②a	SHELL	BRASS	Au 1.27um MIN. (FOR -002) Au 0.8um MIN. (FOR -102)
②b	SPRING CLIP	BERYLLIUM COPPER	Ni 1.27um MIN.
②c	FRONT INSULATOR	PTFE	
②d	REAR INSULATOR	PTFE	
②e	FERRULE	BRASS	Au 0.05um MIN.
③	CRIMP SLEEVE	BRASS	Au 0.05um MIN. (FOR -002) Ni 1.27um MIN. (FOR -102)

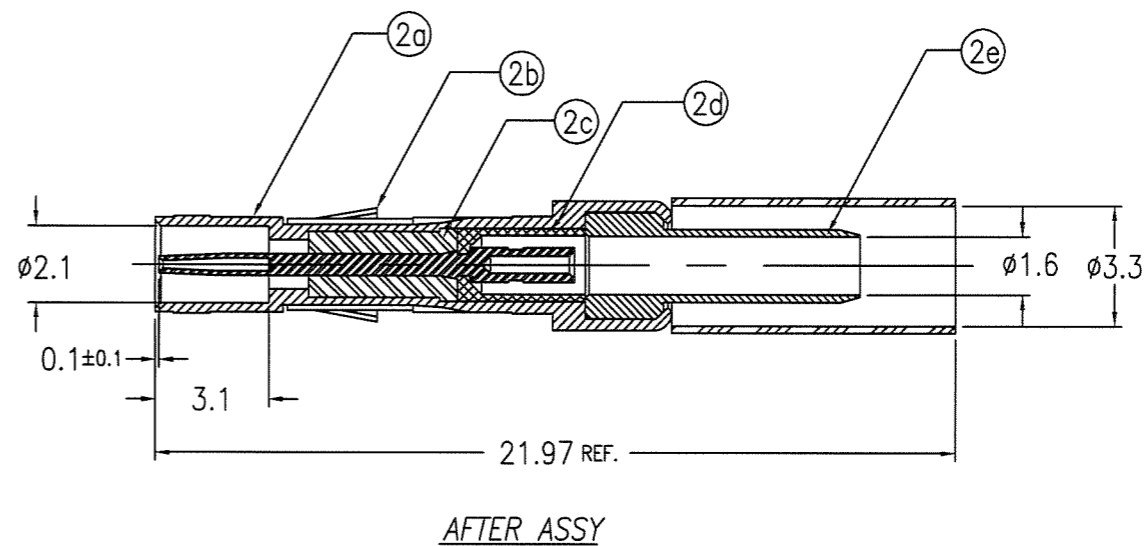
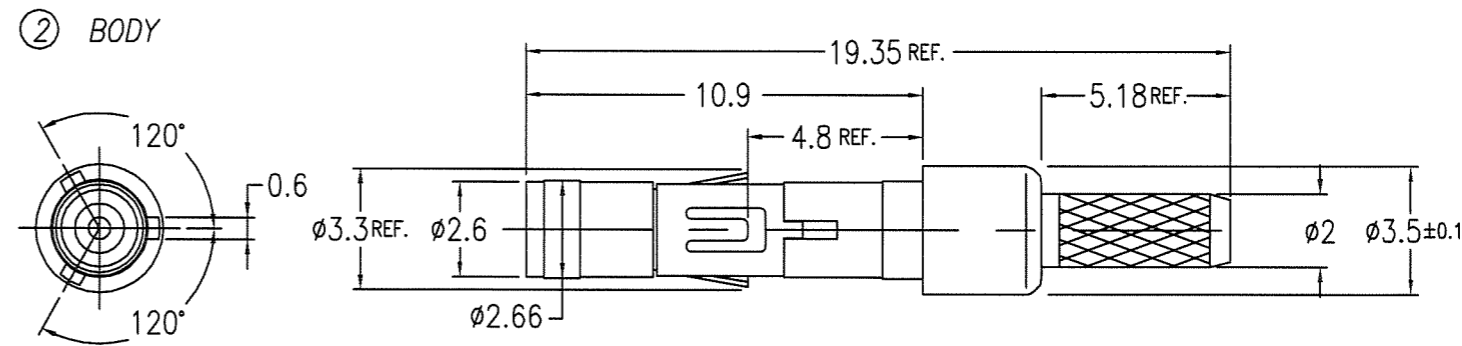
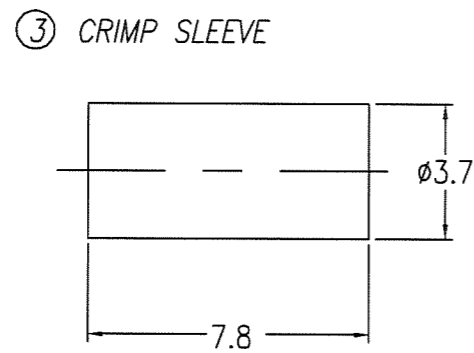
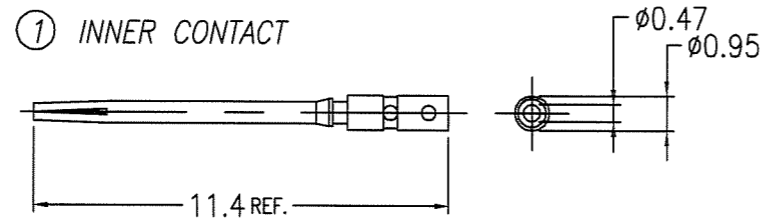
NOTES

- PULL OUT FOR OF CENTER CONTACT MUST BE 0.2N MIN. / 0.8N MAX.
- ASSEMBLE PRODUCT WITH TOOL HT430 USE INSERTS EPL 193460-001
- FOR LEAD FREE P/N, THE PRODUCT MEET EUROPEAN UNION DIRECTIVES AND OTHER COUNTRY REGULATIONS AS DESCRIBED IN GS-22-008
- THE PRODUCT IS NOT INTENDED TO BE EXPOSED TO A MANUFACTURING SOLDER PROCESS.

AFTER ASSY

mat'l. code				surface ISO 1302		tolerance ISO 406 ISO 1101		projection		product family METRAL		CODE JP
---				ISO 1302		ISO 406 ISO 1101		MM		METRAL		JP
ltr	description	ecn no	dr	date	tolerances unless otherwise specified			MM		title		
A	REVISED	J90110	Y.K	3/31/99	angles	linear	0.X ±0.2	MM		METRAL MINICOAX CONTACT KIT FEMALE SOLDER-TO-WIRE		
B	REVISED	J00062	Y.K	1/21/00	0'±3'		0.XX ±0.2	MM				
C	REVISED	J00331	Y.K	5/10/00			0.XXX ±0.2	scale 5:1				
D	REVISED	J20204	Y.K	4/10/02	dr	Y.KODAIRA	3/31/99	FCJ		sheet 2 of size		
E	REVISED	J05-0670	T.S	10/21/05	enr	S.OKUDAIRA	1/22/07	62435		A3		
F	REVISED	J07-0039	S.O	1/22/07	chr	R. Horiuchi	1/22/07	type Customer Drawing				
sheet index					revision sheet						Rev. F	

PRODUCT NO.	CABLES	CABLES
62435-003	DOUBLE SHIELDED TYPE M17/152-0001(HARBOUR INDUSTRIES)	
-003LF		
62435-103	DOUBLE SHIELDED TYPE M17/152-0001(HARBOUR INDUSTRIES)	
-103LF		



No.	DESCRIPTION	MATERIAL	PLATING
①	INNER CONTACT	BERYLLIUM COPPER	Au 1.27um MIN. (FOR -003) Au 0.8um MIN. (FOR -103)
②	BODY		
②a	SHELL	BRASS	Au 1.27um MIN. (FOR -003) Au 0.8um MIN. (FOR -103)
②b	SPRING CLIP	BERYLLIUM COPPER	Ni 1.27um MIN.
②c	FRONT INSULATOR	PTFE	
②d	REAR INSULATOR	PTFE	
②e	FERRULE	BRASS	Au 0.05um MIN.
③	CRIMP SLEEVE	BRASS	Au 0.05um MIN. (FOR -003) Ni 1.27um MIN. (FOR -103)

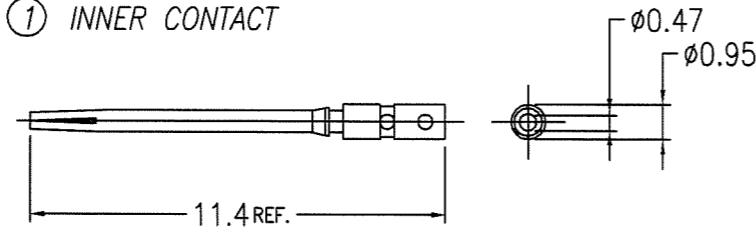
NOTES

- PULL OUT FOR OF CENTER CONTACT MUST BE 0.2N MIN. / 0.8N MAX.
- ASSEMBLE PRODUCT WITH TOOL HT430 USE INSERTS EPL 193460-001
- FOR LEAD FREE P/N, THE PRODUCT MEET EUROPEAN UNION DIRECTIVES AND OTHER COUNTRY REGULATIONS AS DESCRIBED IN GS-22-008
- THE PRODUCT IS NOT INTENDED TO BE EXPOSED TO A MANUFACTURING SOLDER PROCESS.

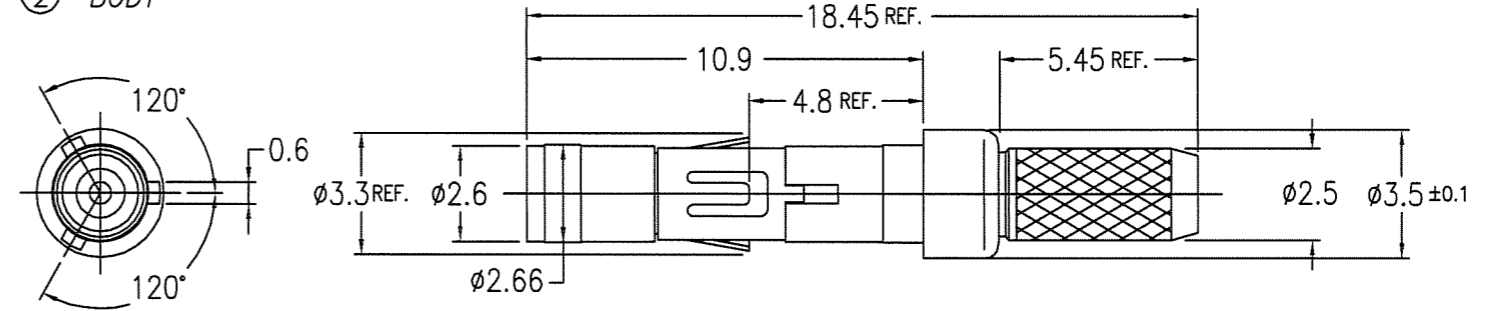
mat'l. code				surface ISO 1302		tolerance ISO 406 ISO 1101		projection		product family METRAL		CODE JP
---				ISO 1302		ISO 406 ISO 1101		MM		METRAL		JP
ltr	description	ecn no	dr	date	tolerances unless otherwise specified			MM		title		
A	RELEASED	J90036	Y.K	1/28/'99	angles	linear	0.X	±0.2	METRAL MINICOAX CONTACT KIT FEMALE SOLDER-TO-WIRE			
B	REVISED	J00062	Y.K	1/21/'00	0'±3'		0.XX	±0.2	scale 5:1			
C	REVISED	J00331	Y.K	5/10/'00			0.XXX	±0.2	dwg no sheet 3 of size			
D	REVISED	J05-0670	T.S	10/21/'05	dr	Y.KODAIRA	1/28/'99	FCJ		62435 A3		
E	REVISED	J07-0039	S.O	1/22/'07	enr	S.OKUDAIRA	1/22/'07	type Customer Drawing		Rev. E		
					chr	R. Shoyi	1/22/'07					
					appd	S. Okudaira	1/22/'07					
sheet index	revision sheet											

PRODUCT NO.	CABLES
62435-004	1.5C-XV (SUMITOMO)
-004LF	1.5C-QEV.CW (FUJIKURA)
62435-104	1.5C-XV (SUMITOMO)
-104LF	1.5C-QEV.CW (FUJIKURA)

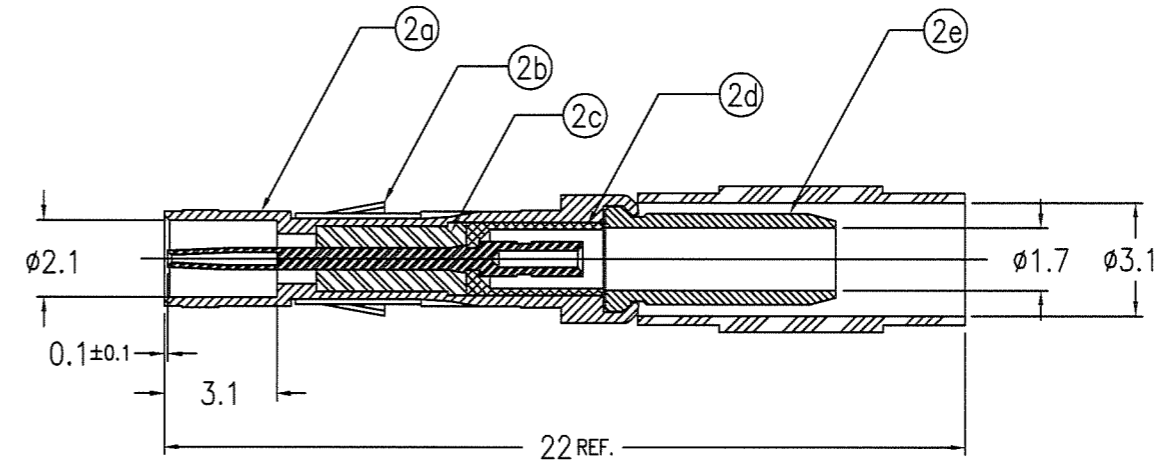
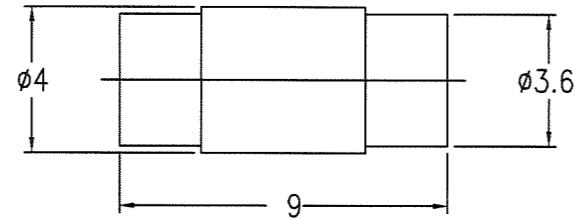
① INNER CONTACT



② BODY



③ CRIMP SLEEVE



AFTER ASSY

No.	DESCRIPTION	MATERIAL	PLATING
①	INNER CONTACT	BERYLLIUM COPPER	Au 1.27um MIN. (FOR -004) Au 0.8um MIN. (FOR -104)
②	BODY		
②a	SHELL	BRASS	Au 1.27um MIN. (FOR -004) Au 0.8um MIN. (FOR -104)
②b	SPRING CLIP	BERYLLIUM COPPER	Ni 1.27um MIN.
②c	FRONT INSULATOR	PTFE	
②d	REAR INSULATOR	PTFE	
②e	FERRULE	BRASS	Au 0.05um MIN.
③	CRIMP SLEEVE	BRASS	Au 0.05um MIN. (FOR -004) Ni 1.27um MIN. (FOR -104)

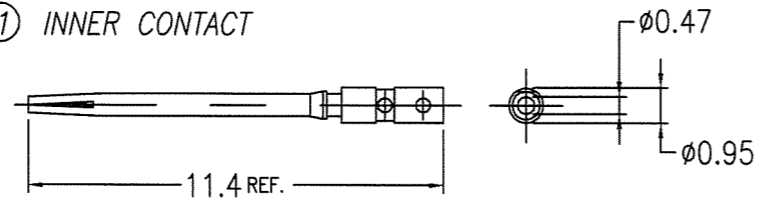
NOTES

- PULL OUT FOR OF CENTER CONTACT MUST BE 0.2N MIN. / 0.8N MAX.
- ASSEMBLE PRODUCT WITH TOOL HT430 USE INSERTS EPL 193460-001
- FOR LEAD FREE P/N, THE PRODUCT MEET EUROPEAN UNION DIRECTIVES AND OTHER COUNTRY REGULATIONS AS DESCRIBED IN GS-22-008
- THE PRODUCT IS NOT INTENDED TO BE EXPOSED TO A MANUFACTURING SOLDER PROCESS.

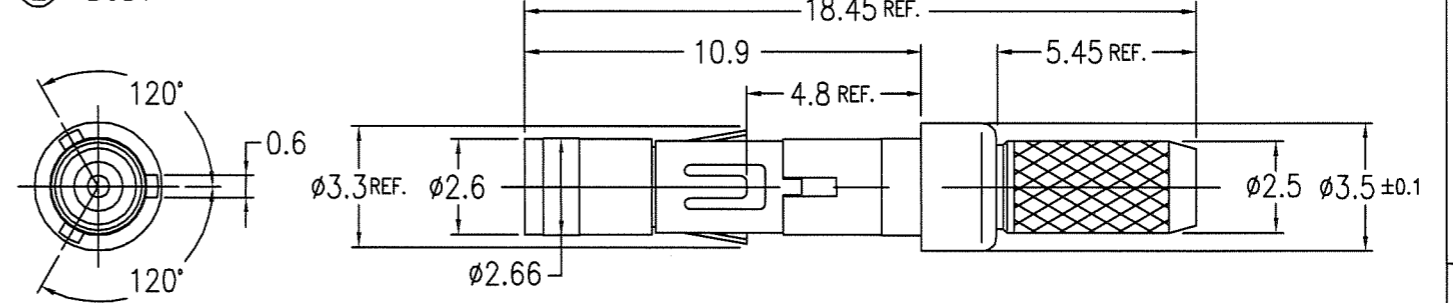
mat'l. code ---				surface ISO 1302 ✓	tolerance ISO 406 ISO 1101	projection	product family METRAL	CODE JP
ltr	description	ecn no	dr	date	tolerances unless otherwise specified		title	
A	RELEASED	J90036	Y.K	1/28/'99	angles	linear	METRAL MINICOAX CONTACT KIT FEMALE SOLDER-TO-WIRE	
B	REVISED	J00062	Y.K	1/21/'00	0.X ±0.2	0.XX ±0.2	MM	
C	REVISED	J00331	Y.K	5/10/'00	0'±3'	0.XXX ±0.2	scale 5:1	
D	REVISED	J05-0670	T.S	10/21/'05	dr	Y.KODAIRA	1/28/'99	FCJ
E	REVISED	J07-0039	S.O	1/22/'07	enr	S.OKUDAIRA	1/22/'07	
					chr	R. Shoyji	1/22/'07	
					appd	S. Madans	1/22/'07	
sheet index	revision sheet						dwg no 62435	sheet 4 of size A3
							type Customer Drawing	Rev. E

PRODUCT NO.	CABLES
62435-005	1.5C-XW (SUMITOMO)
-005LF	
62435-105	1.5C-XW (SUMITOMO)
-105LF	

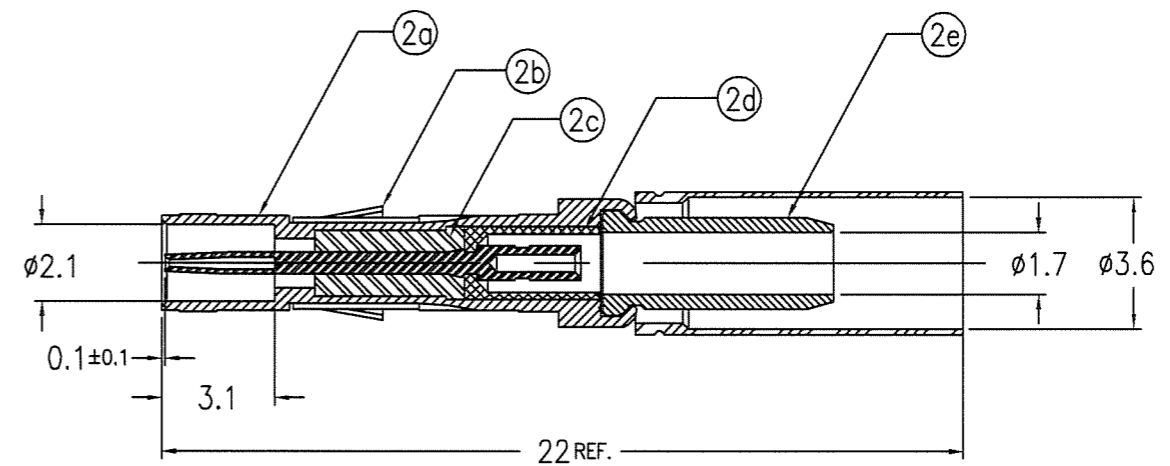
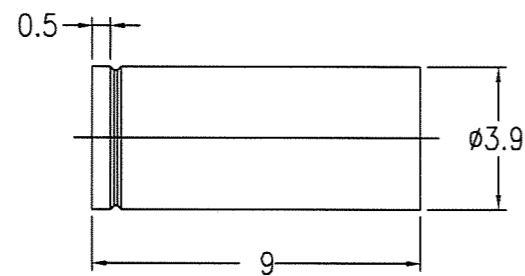
① INNER CONTACT



② BODY



② CRIMP SLEEVE



AFTER ASSY

No.	DESCRIPTION	MATERIAL	PLATING
①	INNER CONTACT	BERYLLIUM COPPER	Au 1.27um MIN. (FOR -005) Au 0.8um MIN. (FOR -105)
②	BODY		
②a	SHELL	BRASS	Au 1.27um MIN. (FOR -005) Au 0.8um MIN. (FOR -105)
②b	SPRING CLIP	BERYLLIUM COPPER	Ni 1.27um MIN.
②c	FRONT INSULATOR	PTFE	
②d	REAR INSULATOR	PTFE	
②e	FERRULE	BRASS	Au 0.05um MIN.
③	CRIMP SLEEVE	BRASS	Au 0.05um MIN. (FOR -005) Ni 1.27um MIN. (FOR -105)

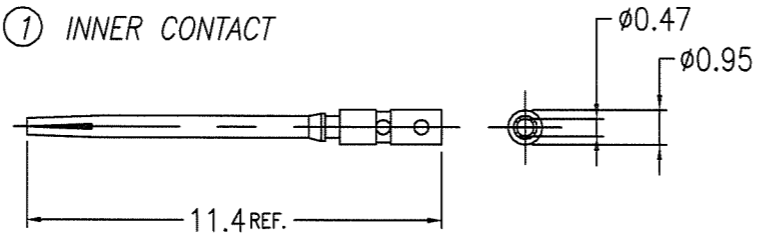
NOTES

- PULL OUT FOR OF CENTER CONTACT MUST BE 0.1N MIN. / 0.8N MAX.
- ASSEMBLE PRODUCT WITH TOOL HT430 USE INSERTS EPL 193460-001
- FOR LEAD FREE P/N, THE PRODUCT MEET EUROPEAN UNION DIRECTIVES AND OTHER COUNTRY REGULATIONS AS DESCRIBED IN GS-22-008
- THE PRODUCT IS NOT INTENDED TO BE EXPOSED TO A MANUFACTURING SOLDER PROCESS.

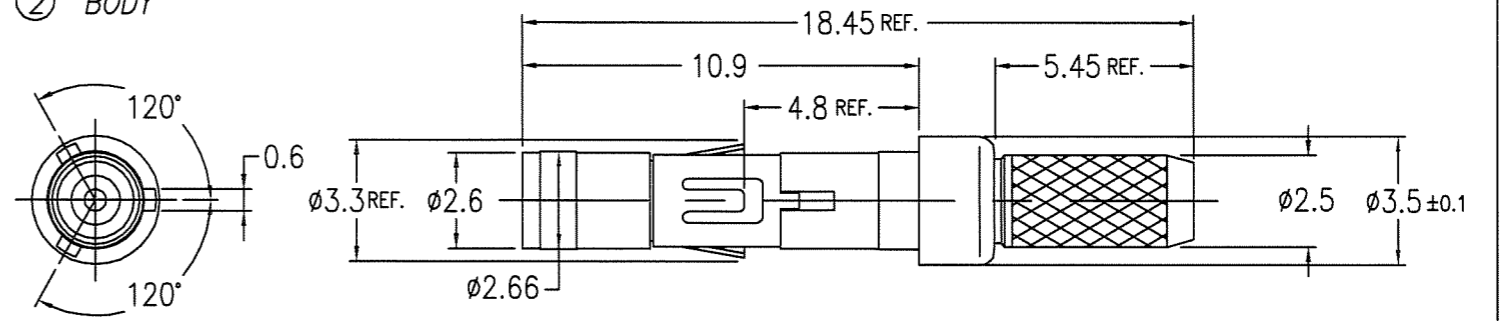
mat'l. code ---				surface ISO 1302 ✓	tolerance ISO 406 ISO 1101	projection	product family METRAL	CODE JP
ltr	description	ecn no	dr	date	tolerances unless otherwise specified		MM	title METRAL MINICOAX CONTACT KIT FEMALE SOLDER-TO-WIRE
A	RELEASED	J00062	Y.K	1/21/00	angles	0.X ±0.2		
B	REVISED	J00331	Y.K	5/10/00	linear	0.XX ±0.2	scale 5:1	dwg no 62435
C	REVISED	J05-0670	T.S	10/21/05	0'±3'	0.XXX ±0.2		
D	REVISED	J07-0039	S.O	1/22/07	dr	Y.KODAIRA 1/21/00	FCJ	sheet 5 of size A3
					enr	S.OKUDAIRA 1/22/07		
					chr	R. Shoyi 1/22/07		
					appd	S. Okuda 1/22/07		
sheet index	revision sheet							Rev. D

PRODUCT NO.	CABLES
62435-006	RG187A/U
-006LF	RG179B/U
62435-106	RG187A/U
-106LF	RG179B/U

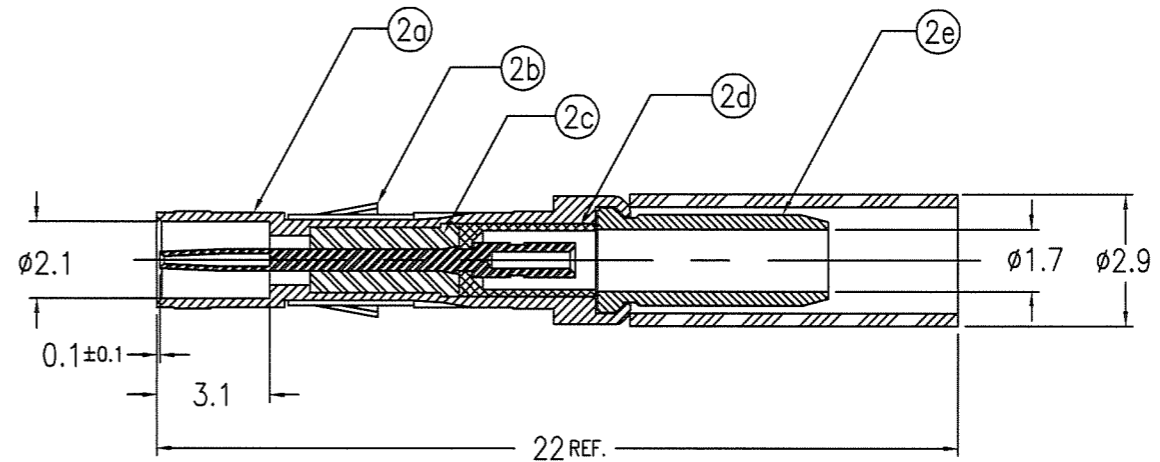
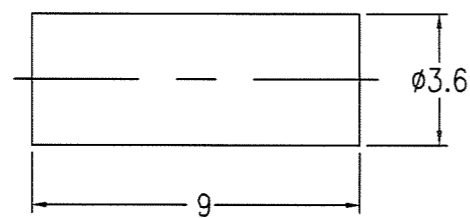
① INNER CONTACT



② BODY



③ CRIMP SLEEVE



AFTER ASSY

No.	DESCRIPTION	MATERIAL	PLATING
①	INNER CONTACT	BERYLLIUM COPPER	Au 1.27um MIN. (FOR -006) Au 0.8um MIN. (FOR -106)
②	BODY		
②a	SHELL	BRASS	Au 1.27um MIN. (FOR -006) Au 0.8um MIN. (FOR -106)
②b	SPRING CLIP	BERYLLIUM COPPER	Ni 1.27um MIN.
②c	FRONT INSULATOR	PTFE	
②d	REAR INSULATOR	PTFE	
②e	FERRULE	BRASS	Au 0.05um MIN.
③	CRIMP SLEEVE	BRASS	Au 0.05um MIN. (FOR -006) Ni 1.27um MIN. (FOR -106)

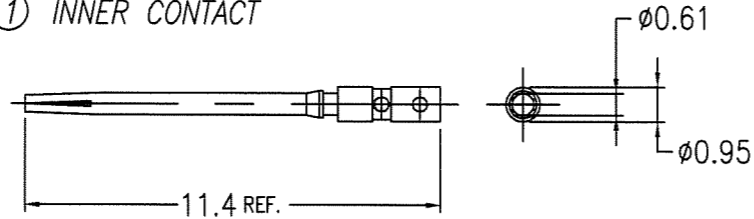
NOTES

- PULL OUT FOR OF CENTER CONTACT MUST BE 0.2N MIN. / 0.8N MAX.
- ASSEMBLE PRODUCT WITH TOOL HT430 USE INSERTS EPL 193460-001
- FOR LEAD FREE P/N, THE PRODUCT MEET EUROPEAN UNION DIRECTIVES AND OTHER COUNTRY REGULATIONS AS DESCRIBED IN GS-22-008
- THE PRODUCT IS NOT INTENDED TO BE EXPOSED TO A MANUFACTURING SOLDER PROCESS.

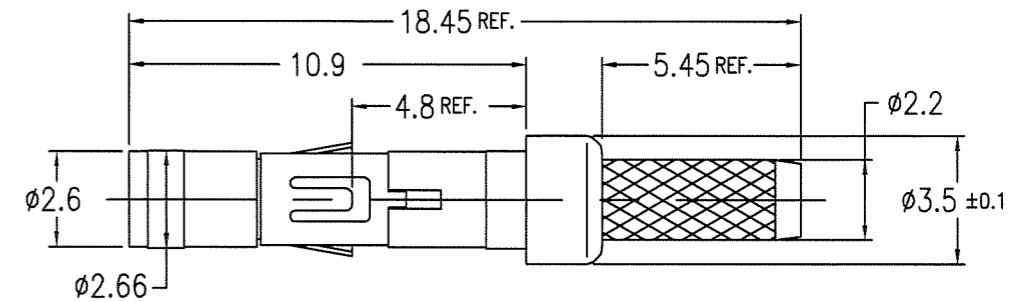
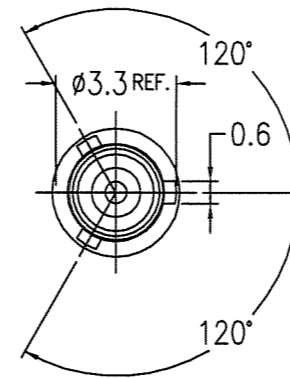
mat'l. code				surface ISO 1302		tolerance ISO 406 ISO 1101		projection		product family METRAL		CODE JP	
---				ISO 1302		ISO 406 ISO 1101		MM		title			
ltr	description	ecn no	dr	date	angles	linear	0.X ±0.2	MM		METRAL MINICOAX CONTACT KIT FEMALE SOLDER-TO-WIRE			
A	RELEASED	J00951	Y.K	12/12/00			0.XX ±0.2	scale 5:1		dwg no		sheet 6 of size	
B	REVISED	J05-0670	T.S	10/21/05			0.XXX ±0.2	FCJ		62435		A3	
C	REVISED	J07-0039	S.O	1/22/07	0'±3'					type Customer Drawing			
sheet index			revision sheet			dr Y.KODAIRA 12/12/00		engr S.OKUDAIRA 1/22/07		chr R. Shoji 1/22/07		appd S. Odaira 1/22/07	
												Rev. C	

PRODUCT NO.	CABLES
62435-007	1.5DS-PBP
-007LF	
62435-107	1.5DS-PBP
-107LF	

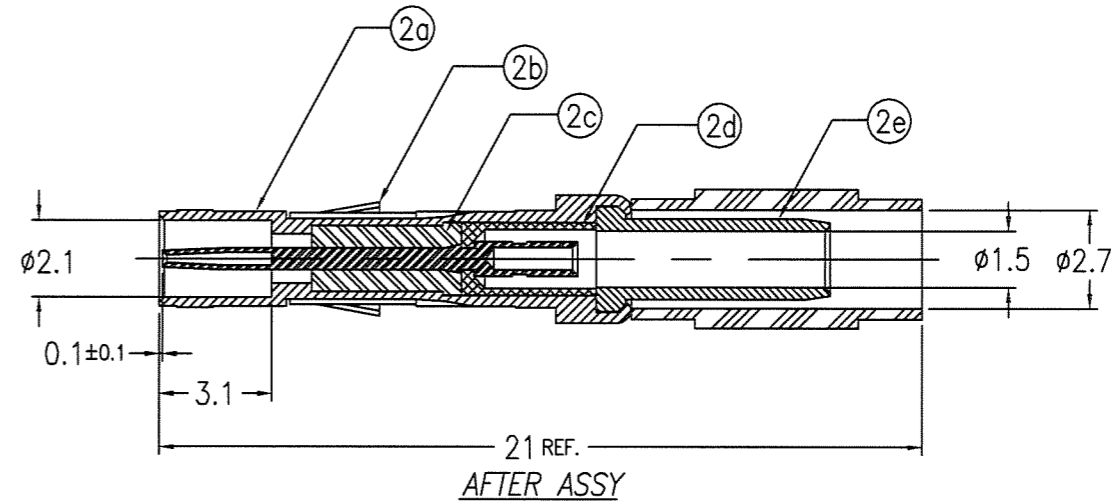
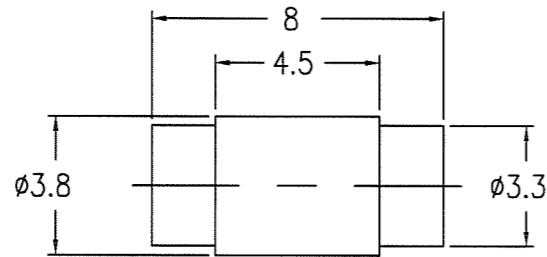
① INNER CONTACT



② BODY



③ CRIMP SLEEVE



No.	DESCRIPTION	MATERIAL	PLATING
①	INNER CONTACT	BERYLLIUM COPPER	Au 1.27um MIN. (FOR -001) Au 0.8um MIN. (FOR -101)
②	BODY		
②a	SHELL	BRASS	Au 1.27um MIN. (FOR -001) Au 0.8um MIN. (FOR -101)
②b	SPRING CLIP	BERYLLIUM COPPER	Ni 1.27um MIN.
②c	FRONT INSULATOR	PTFE	
②d	REAR INSULATOR	PTFE	
②e	FERRULE	BRASS	Au 0.05um MIN.
③	CRIMP SLEEVE	BRASS	Au 0.05um MIN. (FOR -001) Ni 1.27um MIN. (FOR -101)

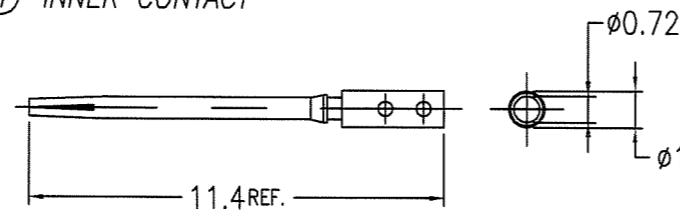
NOTES

- PULL OUT FOR OF CENTER CONTACT MUST BE 0.2N MIN. / 0.8N MAX.
- ASSEMBLE PRODUCT WITH TOOL HT430 USE INSERTS EPL 193460-001
- FOR LEAD FREE P/N, THE PRODUCT MEET EUROPEAN UNION DIRECTIVES AND OTHER COUNTRY REGULATIONS AS DESCRIBED IN GS-22-008
- THE PRODUCT IS NOT INTENDED TO BE EXPOSED TO A MANUFACTURING SOLDER PROCESS.

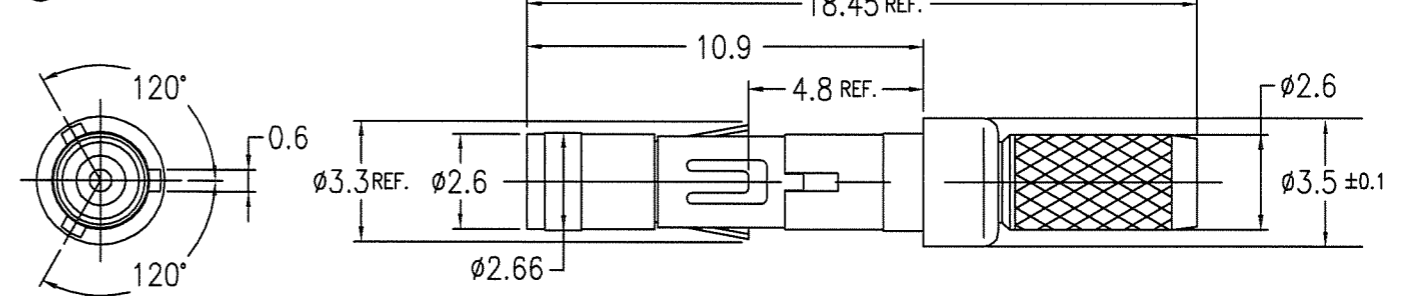
mat'l. code ---				surface ISO 1302 ✓	tolerance ISO 406 ISO 1101	projection	product family METRAL	CODE JP
ltr	description	ecn no	dr	date	tolerances unless otherwise specified		MM	title METRAL MINICOAX CONTACT KIT FEMALE SOLDER-TO-WIRE
A	RELEASED	J10393	Y.K	7/6/'01	angles	0.X ±0.2		
B	REVISED	J05-0670	T.S	10/21/'05	linear	0.XX ±0.2		
C	REVISED	J07-0039	S.O	1/22/'07	0'±3'	0.XXX ±0.2	scale 5:1	
					dr	Y.KODAIRA 7/6/'01	FCJ	sheet 7 of size A3
					enr	S.OKUDAIRA 1/22/'07		
					chr	R. Shoyji 4/22/07		
					appd	S. Okudaira 4/22/07		
sheet index	revision sheet							Rev. C

PRODUCT NO.	CABLES
62435-108	1.5DS-xx, 1.5D-xx
-108LF	

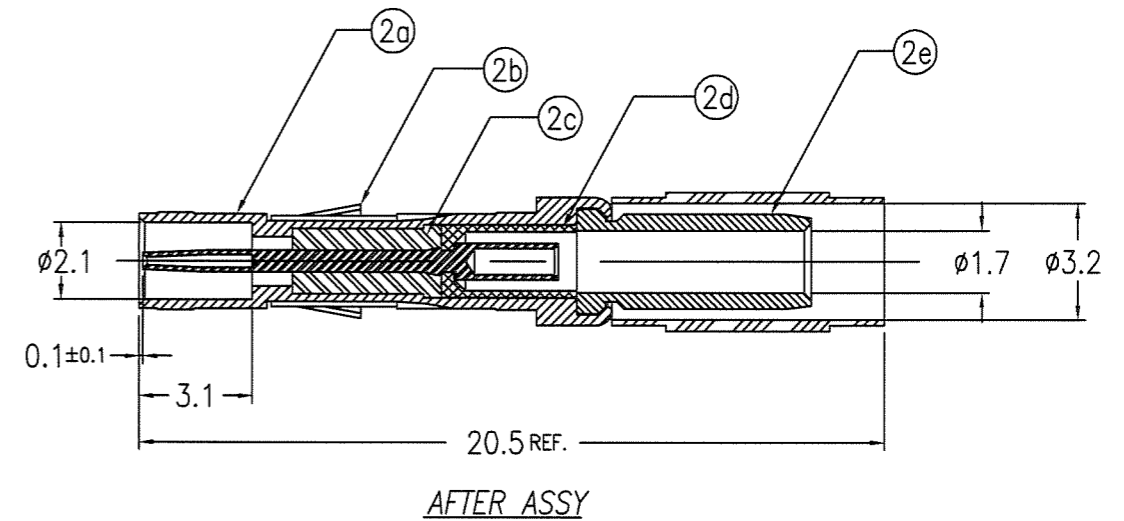
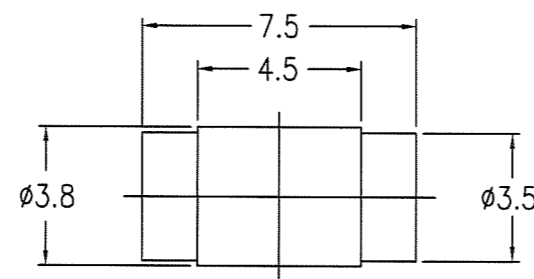
① INNER CONTACT



② BODY



③ CRIMP SLEEVE



No.	DESCRIPTION	MATERIAL	PLATING
①	INNER CONTACT	BERYLLIUM COPPER	Au 0.8um MIN.
②	BODY		
②a	SHELL	BRASS	Au 0.8um MIN.
②b	SPRING CLIP	BERYLLIUM COPPER	Ni 1.27um MIN.
②c	FRONT INSULATOR	PTFE	
②d	REAR INSULATOR	PTFE	
②e	FERRULE	BRASS	Au 0.05um MIN.
③	CRIMP SLEEVE	BRASS	Ni 1.27um MIN.

NOTES

- PULL OUT FOR OF CENTER CONTACT MUST BE 0.2N MIN. / 0.8N MAX.
- ASSEMBLE PRODUCT WITH TOOL HT430 USE INSERTS EPL 193460-001
- FOR LEAD FREE P/N, THE PRODUCT MEET EUROPEAN UNION DIRECTIVES AND OTHER COUNTRY REGULATIONS AS DESCRIBED IN GS-22-008
- THE PRODUCT IS NOT INTENDED TO BE EXPOSED TO A MANUFACTURING SOLDER PROCESS.

mat'l. code ---				surface ISO 1302 ✓	tolerance ISO 406 ISO 1101	projection	product family METRAL	CODE JP	
ltr	description	ecn no	dr	date	tolerances unless otherwise specified		MM	title METRAL MINICOAX CONTACT KIT FEMALE SOLDER-TO-WIRE	
A	RELEASED	J03-0172	Y.K	4/10/03	angles	0.X ±0.2			
B	REVISED	J05-0670	T.S	10/21/05	linear	0.XX ±0.2			
C	REVISED	J07-0039	S.O	1/22/07	0'±3'	0.XXX ±0.2	scale 5:1		
				dr	Y.KODAIRA	4/10/03	FCJ	sheet 8 of size A3	
				enrg	S.OKUDAIRA	1/22/07			
				chr	R. Stowit	1/22/07			
				appd	S. Mochizuki	1/22/07			
sheet index	revision sheet							type Customer Drawing	Rev. C



Компания «ЭлектроПласт» предлагает заключение долгосрочных отношений при поставках импортных электронных компонентов на взаимовыгодных условиях!

Наши преимущества:

- Оперативные поставки широкого спектра электронных компонентов отечественного и импортного производства напрямую от производителей и с крупнейших мировых складов;
- Поставка более 17-ти миллионов наименований электронных компонентов;
- Поставка сложных, дефицитных, либо снятых с производства позиций;
- Оперативные сроки поставки под заказ (от 5 рабочих дней);
- Экспресс доставка в любую точку России;
- Техническая поддержка проекта, помощь в подборе аналогов, поставка прототипов;
- Система менеджмента качества сертифицирована по Международному стандарту ISO 9001;
- Лицензия ФСБ на осуществление работ с использованием сведений, составляющих государственную тайну;
- Поставка специализированных компонентов (Xilinx, Altera, Analog Devices, Intersil, Interpoint, Microsemi, Aeroflex, Peregrine, Syfer, Eurofarad, Texas Instrument, Miteq, Cobham, E2V, MA-COM, Hittite, Mini-Circuits, General Dynamics и др.);

Помимо этого, одним из направлений компании «ЭлектроПласт» является направление «Источники питания». Мы предлагаем Вам помощь Конструкторского отдела:

- Подбор оптимального решения, техническое обоснование при выборе компонента;
- Подбор аналогов;
- Консультации по применению компонента;
- Поставка образцов и прототипов;
- Техническая поддержка проекта;
- Защита от снятия компонента с производства.



Как с нами связаться

Телефон: 8 (812) 309 58 32 (многоканальный)

Факс: 8 (812) 320-02-42

Электронная почта: org@eplast1.ru

Адрес: 198099, г. Санкт-Петербург, ул. Калинина, дом 2, корпус 4, литера А.