

---

# POWER TOOL SWITCHES

---

## VARIETY. QUALITY. INNOVATION

---



---

# POWER TOOL SWITCHES BY MARQUARDT

---

## THE PROGRAM

---



This catalog covers our wide range of power tool switches. The standard versions are listed with their part numbers. Sample switches and installation drawings with tolerance specifications are available on request. Use of these products requires application specific knowledge. Our engineers will be glad to give their guidance in selection as well as product-oriented application indications.

Our entire program is distinguished by one common feature: The consistently high quality level which has made us the favorite supplier to leading manufacturers worldwide. We are certified according to ISO TS 16949:2002, the actual QM-standard of the automotive industry. Quality is the most important part of our program.

# CONTENTS

## SWITCHES FOR CORDLESS POWER TOOLS

DC ON/OFF trigger switches with integrated brake contact

:: Page: 13 - 14



*Series 2700 and 2704*

DC trigger switches with integrated electronic speed control, reversing switch and brake contact

:: Page: 15 - 18



*Series 2701, 2707, 2711 and 2709*

## SWITCHES FOR CORDED POWER TOOLS

Trigger switches in different electronic versions  
electrical ratings up to 8 (8)A 250V~ 5E4 / 13A 125VAC

:: Page: 20 - 23



*Series 1298, 2504 and 1299*

Reversing module (for series 1298, 1299, 2504)

:: Page: 24



*Series 1201, 1202 and 1203*

FOR AN INDEX OF ALL PART NUMBERS SEE PAGE 51.

# CONTENTS



Double pole trigger switches with different electronic versions  
Electrical rating 10 (10)A 250V~ 5E4 / [16A 125VAC](#)

:: Page: 25

## *Series 2602*



Single pole ON/OFF trigger switches in US-shape  
Electrical rating 8 (8)A 250V~ 5E4 / [13A 125VAC](#) / [6A 250VAC](#)

:: Page: 27

## *Series 1276*



Double pole ON/OFF trigger switches  
Electrical rating 5 (5)A 250V~ 5E4

:: Page: 28

## *Series 1277*



Double pole ON/OFF trigger switches  
Electrical rating up to 8 (8)A 250V~ 5E4 / [12A 125VAC](#)

:: Page: 29

## *Series 2100*

# CONTENTS

## SWITCHES FOR CORDED POWER TOOLS

Double pole ON/OFF trigger switches –  
electrical rating 8 (8) A 250 V~ 5E4  
up to 17,5 A 125 -250 VAC, 3/4 HP 125 VAC, 1 1/2 HP 250 VAC



:: Page: 30

*Series 1281*

Double pole ON/OFF trigger switches –  
electrical rating 10 (10) A 250 V~ 5E4  
22 A 125 VAC/DC, 1 1/2 HP, 10 A 250 VAC/DC, 1 HP



:: Page: 31 - 32

*Series 1269*

Double pole ON/OFF trigger switches with additional  
time delayed NO – electrical rating 10 (10) A 250 V~ 5E4



:: Page: 33

*Series 1369*

Double pole ON/OFF trigger switches with suppression capacitor –  
electrical rating up to 12 (12) A 250 V~ 5E4, 20 A 125 -250 VAC,  
1 1/2 HP 125 VAC / 2 HP 250 VAC



:: Page: 34

*Series 1267*

FOR AN INDEX OF ALL PART NUMBERS SEE PAGE 51.

# CONTENTS



Double pole ON/OFF trigger switches with additional time delayed NO – electrical rating up to 2,6 kW 250V~ for inrush current limitation

:: Page: 35

## *Series 1362*



Double pole ON/OFF trigger switches with suppression capacitor – electrical rating up to 12 (12)A 250V~ 5E4, [20 A 125 -250 VAC](#), [1 1/2 HP 125 VAC / 2 HP 250 VAC](#)

:: Page: 36

## *Series 2200*



Double pole ON/OFF trigger switches with suppression capacitor – electrical rating up to 12 (12)A 250V~ 5E4, [20 A 125 -250 VAC](#), [1 1/2 HP 125 VAC / 2 HP 250 VAC](#)

:: Page: 37

## *Series 1257*



Double pole DT switches  
electrical rating 10 (6) A 250V~

:: Page: 38

## *Series 1205*

# CONTENTS

## SWITCHES FOR CORDED POWER TOOLS

ON/OFF slide switches for direct and indirect actuation –  
electrical rating 8 (8) A 250 V~ 5E4, [15 A 125 VAC / 8 A 250 VAC](#)  
[25 A 12-36 VDC](#)



:: Page: 39

*Series 1206*

Single pole and double pole push button switches for indirect actuation – electrical rating 7 (7) A 250 V~ 5E4,  
[10 A 125 VAC / 5 A 250 VAC](#)



:: Page: 41

*Series 1247*

Double pole push button switches for indirect actuation –  
electrical rating 8 (8) A 250 V~ 5E4,  
[14 A 125 VAC / 8 A 125 VDC, 8 A 250 VAC](#)



:: Page: 42

*Series 1246*

Double pole push button switches for indirect actuation –  
electrical rating 8 (8) A 250 V~ 5E4,  
[15 A 125 VAC 1 HP / 15 A 125 VDC 1 HP, 25 A 24 VDC](#)



:: Page: 43

*Series 1249*

FOR AN INDEX OF ALL PART NUMBERS SEE PAGE 51.

# CONTENTS



Double pole push button switches for indirect actuation –  
electrical rating up to 12 (12)A 250V~ 5E4,  
20 A 125 -250VAC, 1 1/2 HP 125VAC / 2 HP 250VAC

:: Page: 44

## *Series 1267*



Rotary potentiometers with and without NO  
electrical rating NO 4 (2)A 250V~  $\mu$

:: Page: 46

## *Series 2075*



Customized power tool switches, brushrings  
and speed-control units

:: Page: 47 - 48



Solid state control units,  
Robust appliance and snap action switches

:: Page: 49 - 50



---

# HINTS FOR TECHNICAL INFORMATION

---

## Approvals

Nearly all Marquardt-power tool switches are approved according to IEC 61058-1 (EN 61058-1) and with the ENEC mark and approved by UL and CSA as special use switches according to UL 1054 resp. C 22.2 - 55.

## Approval marks



Europe



USA



Canada

## Electrical rating

According to the European standard, the rated current for motor load is indicated in brackets. According to the regulations of the approval authorities of USA (UL) and of Canada (CSA), the permissible motor load is indicated by means of the HP-Value (horse-power). This HP-rating refers to the mechanical power of the machine. Unless specified otherwise, the rating for the electronics is normally equal to the rated power of the mechanical contacts (depending on the installation and cooling conditions).

## Endurance

The mechanical endurance is the number of possible cycles of operations without electrical load, while the electrical endurance is the number of cycles of operating at maximum electrical load. The lower the electrical rating, the more the electrical endurance approaches the mechanical endurance. Due to the parallel circuit paths with the integrated electronics, the electrical endurance approaches the mechanical endurance when the switch is used in the power tool.

## Operating cycles

Switches that are expected to be actuated more than 2,000 times per year must be approved for frequent operation ( $\geq 50,000$  operating cycles). Most of our switches for electric power tools meet this requirement and are marked with the symbol 5E4. Switches not marked with this symbol are approved for 10,000 operating cycles.

## Protection against dust

The actuating side on most of the power tool switches shown in this catalog is dust protected. You will find a corresponding note in the individual description. The dust protection indicated in our documents refers according to IEC 61058-1 (EN 61058-1) to the actuating side of the switch. The sealing between switch and customer equipment as well as the examination on tightness have to be realized by the customer.

## Ambient temperature

The switches for electric power tools shown in this catalog are mainly approved for an ambient temperature of 55 °C max. Versions for 85 °C max. are marked with T 85.

---

# HINTS FOR TECHNICAL INFORMATION

---

## EMC – interference suppression

Requirements for the appliance interference suppression can be found in EN 61058-1:2002 and in the appliance-respective EMC regulations.

## Contact gap

Switches having a contact gap < 3 mm are not recommended as the only means of disconnecting an appliance from the supply. These switches are marked with  $\mu$ . Please pay attention to the appliance requirements.

## Regulations for protection of machines

We recommend the use of switches with approval marks IEC 61058-1 (EN 61058-1) if you have to meet the regulations of the standard institutions for protection of power tools.

Switches without approval marks have to be tested by your approval authority together with the appliance.

## Regulations for machines

Please consult specific tool safety requirements for additional specifications.

## CE identification

Our power tool switches comply as electrical accessories with the requirements of the low voltage regulation 73/23/EWG. The CE mark is shown on the smallest package unit of the switch. The appliance must satisfy the requirements of the EMC regulations.

## Minimum order amounts

The minimum order amounts of individual switches depend on the respective packing units and the production batch sizes. Please ask for information.

## Changes

We reserve the right to alter switches in accordance with technical improvements. The data specified in the catalog (e.g. dimensions, photos, drawings) are not binding. Ask for samples and outline drawings with tolerance specifications for new projects.

## Application indications / Liability

Since all data in this catalog refer exclusively to the switches supplied by us, the customers themselves are responsible for the examination whether our switches are suitable for the individual case planned by them. Please contact us for further information.

Our liability exclusively depends on our terms of payment and delivery, which we send you on request.

---

# SWITCHES FOR CORDLESS DC POWER TOOLS

---



# SERIES 2700 – ON/OFF TRIGGER SWITCHES

FOR CORDLESS DC POWER TOOLS



## Product description

- :: SPNO with integrated brake contact
- :: Optional integrated reversing module
- :: Lock-off in mid-position of lever
- :: Dust protected

## Technical data

- :: Electrical rating 25 A / 18 V
- :: Mechanical endurance
  - SPNO 1E5 cycles
  - DPDT 5E4 cycles
- :: Electrical endurance
  - SPNO 1E5 cycles
  - DPDT 5E4 cycles
- :: Contacts Ag
- :: Volume resistance < 4 mΩ

## Terminals

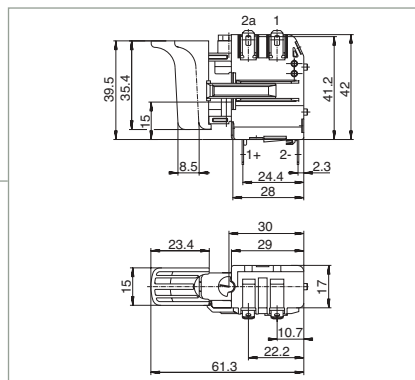
- :: Solder lugs on the motor and battery side

## Special versions on request

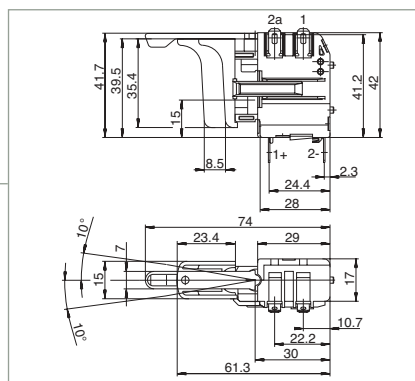
- :: Switches with battery clamps
- :: Switches for higher battery voltages up to 24 V
- :: Switches without brake contact



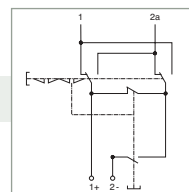
2700.0101



2700.5101  
with reversing module



## Switching function



# SERIES 2704 – ON/OFF TRIGGER SWITCHES

FOR CORDLESS DC POWER TOOLS



## Product description

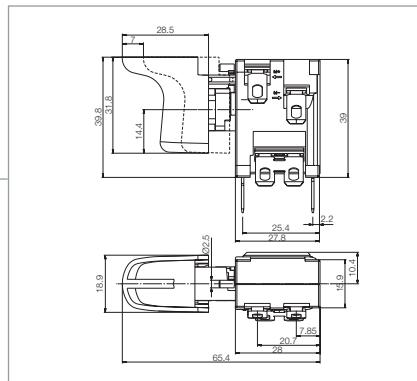
- :: SPNO with integrated brake contact
- :: Locking ring which couples with customized actuator
- :: Dust protected

## Technical data

- :: Electrical rating 30 A / 36 V
- :: Mechanical endurance 1E5 cycles
- :: Electrical endurance 5E4 cycles
- :: Contacts Ag
- :: Volume resistance <math>< 4 \text{ m}\Omega</math>



2704.0401



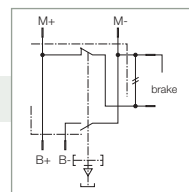
## Terminals

- :: Solder lugs on the motor and battery side resp. flat connectors 6.3 x 0.8

## Special version on request

- :: Version with additional terminals for external resistance braking

## Switching function



# SERIES 2701-2711 – SWITCHES WITH ELECTRONICS

FOR CORDLESS DC POWER TOOLS

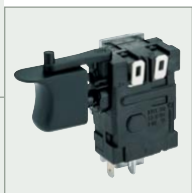
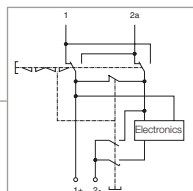


## Product description

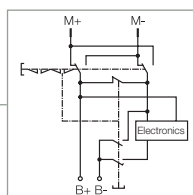
- :: SPNO with integrated PWM (Pulse Width Modulated) electronics in various dimensions optional with:
  - Integrated reversing module
  - Lock-off in mid-position of lever
  - Integrated brake contact
- :: Dust protected
- :: Average duty cycle of motor voltage 15 - 80 % (depending on series), then by-pass to battery voltage



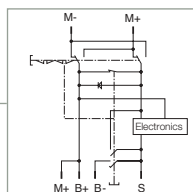
2701/2707



2711



2709



## Technical data

- :: Electrical ratings:
  - Series 2707: 20 A / up to 18 V
  - Series 2701: 25 A / up to 24 V
  - Series 2711: 25 A / up to 24 V
  - Series 2709: 25 A / up to 36 V
- :: Mechanical endurance
  - SPNO 1E5 cycles
  - DPDT 5E4 cycles
- :: Electrical endurance
  - SPNO 1E5 cycles
  - DPDT 5E4 cycles
- :: Contacts Ag
- :: Volume resistance with by-pass contact closed
  - Series 2701, 2707, 2711: < 4 mΩ
  - Series 2709: < 7 mΩ

## Terminals

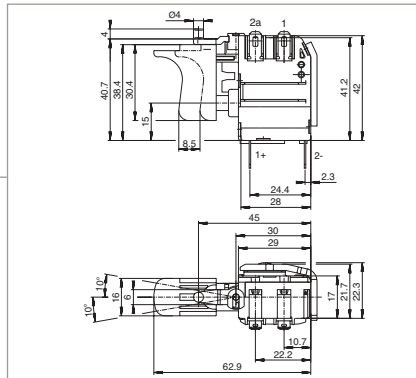
- :: Series 2701, 2707 and 2711: Solder lugs on the motor and battery side
- :: Series 2709: flat connectors 6.3 x 0.8 on the motor and battery side

# SERIES 2701/2707 – SWITCHES WITH ELECTRONICS

FOR CORDLESS DC POWER TOOLS



**2701.5201**  
with reversing module



## Product description

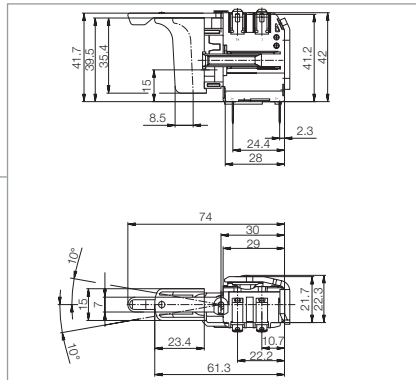
- :: Electrical rating 25 A/12 V
- :: Rated battery voltage 7,2 V-14,4 V
- :: With integrated brake contact
- :: Copper heat sink

## Special versions on request

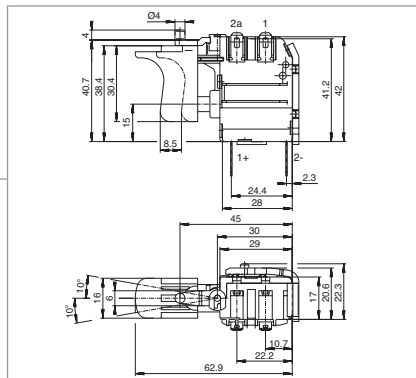
- :: Switches with battery clamps
- :: Switches for higher battery voltages up to 24 V
- :: Versions with torque control



**2701.5101**  
with reversing module



**2707.5301**  
with reversing module



## Product description

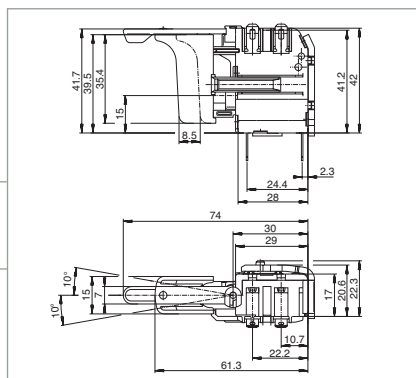
- :: Electrical rating 20 A/12 V
- :: Rated battery voltage 7,2 V-12 V
- :: Aluminium heat sink

## Special versions on request

- :: Switches with battery clamps
- :: Switches with brake contact
- :: Switches for higher battery voltages up to 18 V



**2707.5101**  
with reversing module

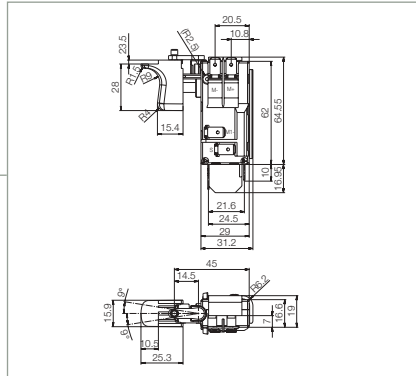


# SERIES 2709/2711 – SWITCHES WITH ELECTRONICS

FOR CORDLESS DC POWER TOOLS



**2709.5301**  
with reversing module



## Product description

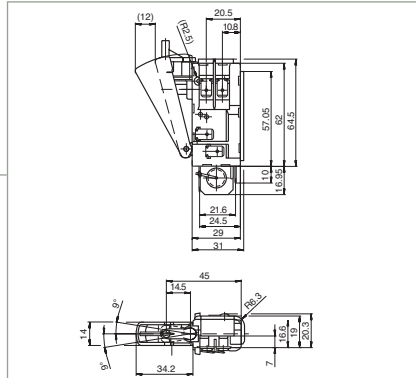
- :: Electrical rating 25 A/36V
- :: Rated battery voltage 24V-36V
- :: With integrated brake contact
- :: Copper heat sink

## Special versions on request

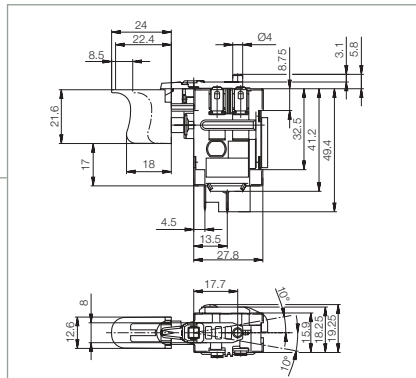
- :: Switches with solder lugs
- :: Switches with two parallel MOSFETs for higher currents
- :: Switches with integrated passive linear potentiometer
- :: Switches with one-finger and two-finger trigger
- :: Switches with long lever for direct actuation
- :: ON-OFF versions without Electronics



**2709.5101**  
with reversing module



**2711.5602**  
with reversing module



## Product description

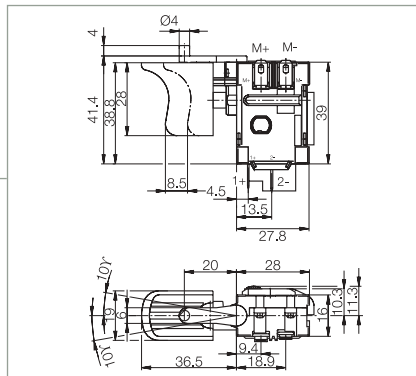
- :: Electrical rating 25 A/12V
- :: Rated battery voltage 7,2V-12V

## Special versions on request

- :: Switches with battery clamps
- :: Switches without brake contact
- :: Switches for higher battery voltages up to 24 V



**2711.5101**  
with reversing module





# CUSTOMIZED VERSIONS

FOR CORDLESS DC POWER TOOLS

## Series 2701



## Series 2705



## Series 2711



## Series 2713



---

# SWITCHES WITH ELECTRONICS FOR CORDED POWER TOOLS

---



# SERIES 1298/1299/2504 - SWITCHES WITH/WITHOUT ELECTRONICS

FOR CORDED POWER TOOLS

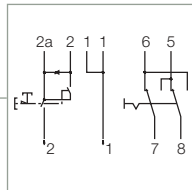


## Product description

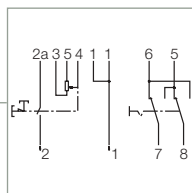
- :: SPNO with by-pass contact in different electronic versions, such as half-wave speed control with or without feed-back, full-wave speed control, diode or passive linear potentiometer optional with:
  - Reversing module
  - Thumbwheel for limiting actuator travel
  - Lock-on



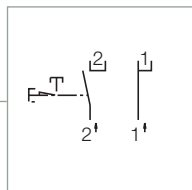
1298/2504



1299  
with passive linear potentiometer



1299  
ON/OFF



## Technical data

- :: Electrical rating mechanical contact system SPNO  
8 (8) A 250 V~ 5E4 / 13 A 125 VAC
- :: Mechanical endurance  
SPNO 1E5 cycles  
DPDT 1E4 cycles
- :: Electrical endurance  
SPNO 1E5 cycles  
DPDT 5E4 cycles
- :: Contacts Ag
- :: The electronics are to be tested together with the corresponding appliance
- :: Suitable for appliances of class II

## Terminals

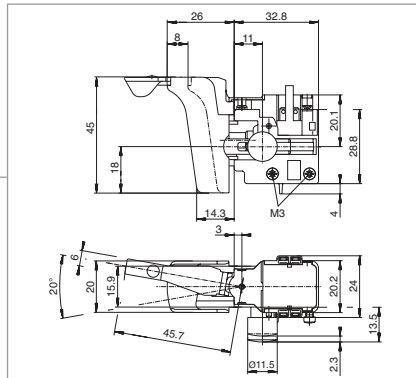
- :: Line side: pillar terminals M3
- :: Motor side: push-in terminals for soldered strands, strands with end sleeves or strands with end claws
- :: Versions with reversing module additional 4 x plug-in terminals 2,8 x 0,8 mm

# SERIES 1298/2504 - SWITCHES WITH ELECTRONICS

FOR CORDED POWER TOOLS



1298.5401  
2504.5401



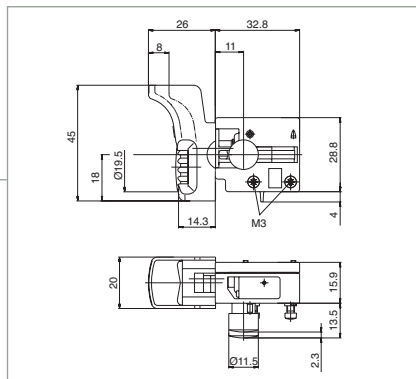
## Series 1298

- :: Half-wave electronic speed control with by-pass contact
- :: Electrical rating mechanical contact system SPNO  
6 (6) A 250 V~ 5E4 / 10 A 125 VAC

Special versions 1298  
on request



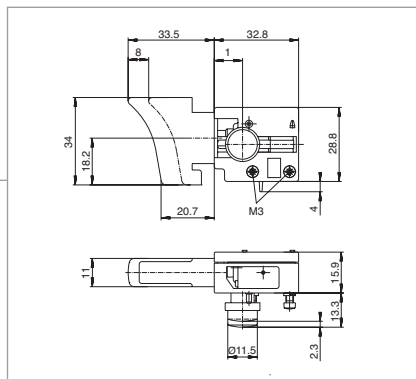
1298.2401  
2504.2401




- :: With longer heat sink for higher currents
- :: For special voltages, special frequencies and special functions
- :: Without lock-button



1298.0101  
2504.0101

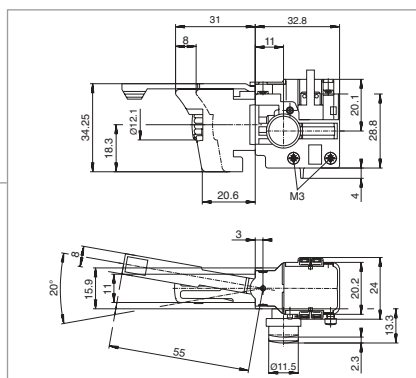


## Series 2504

- :: Half-wave electronic speed control with by-pass contact
- :: Electrical rating mechanical contact system SPNO  
6 (6) A 250 V~ 5E4
- :: Electrical rating Electronics  
 3,5 A 250 V~



1298.7101  
2504.7101

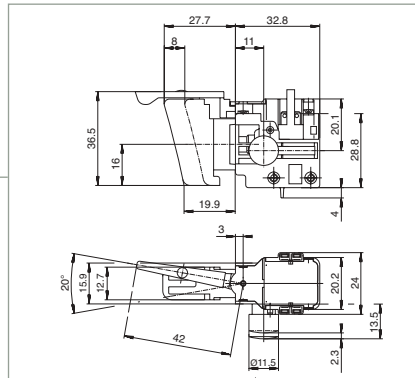


# SERIES 1298/2504 - SWITCHES WITH ELECTRONICS

FOR CORDED POWER TOOLS



1298.5201  
2504.5201



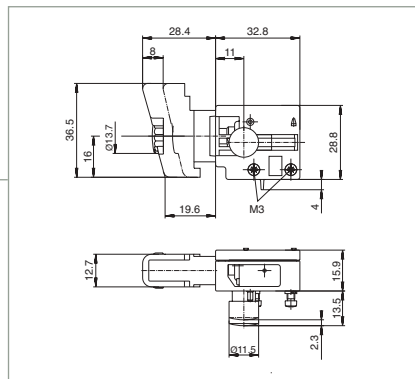
## Series 1298

- :: Electrical rating mechanical contact system SPNO  
6 (6)A 250 V~ 5E4 / 10A 125 VAC
- :: Electrical rating electronics depending on the application

Special versions 1298  
on request



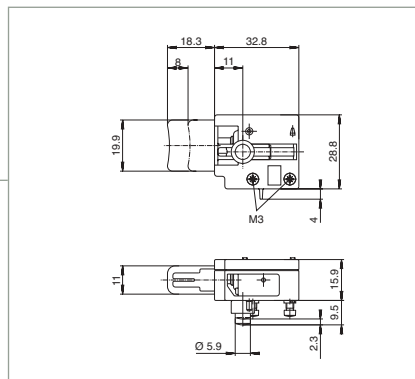
1298.2201  
2504.2201



- :: With extended heat sink for higher currents
- :: For special voltages, special frequencies and special functions



1298.0301  
2504.0301

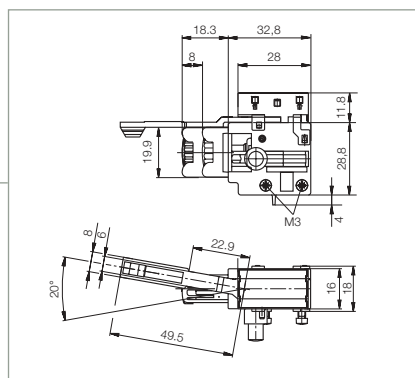


## Series 2504

- :: Electrical rating mechanical contact system SPNO  
6 (6)A 250 V~ 5E4
- :: Electrical rating electronics  
▶ 3,5A 250 V~



1298.7312  
2504.7312

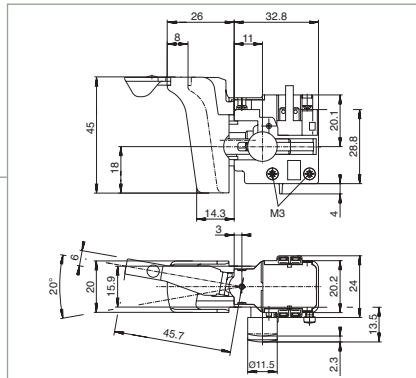


# SERIES 1299 - SWITCHES WITH/WITHOUT ELECTRONICS

FOR CORDED POWER TOOLS



**1299.5431**  
*ON/OFF with  
reversing module*



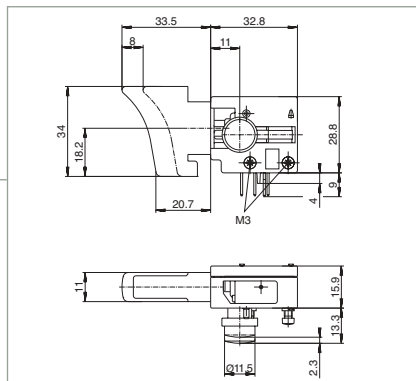
## Series 1299

- :: Electrical rating mechanical contact system SPNO  
8 (8) A 250 V~ 5E4 / 13 A 125 VAC
- :: SPNO optional with integrated passive linear potentiometer

Special versions 1299  
on request



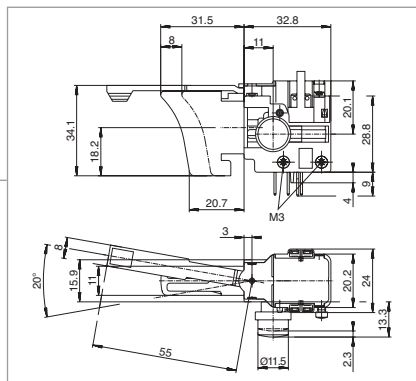
**1299.0101**  
*with passive linear  
potentiometer*



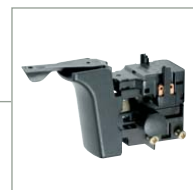
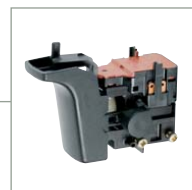
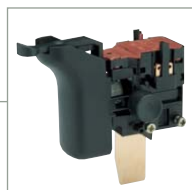
- :: With integrated diode
- :: Different actuator designs



**1299.5101**  
*with passive linear  
potentiometer and  
reversing module*



## Customized versions series 1298/2504/1299



# SERIES 1201/1202/1203 - DPDT

REVERSING SWITCH FOR SERIES 1298/1299/2504



## Product description

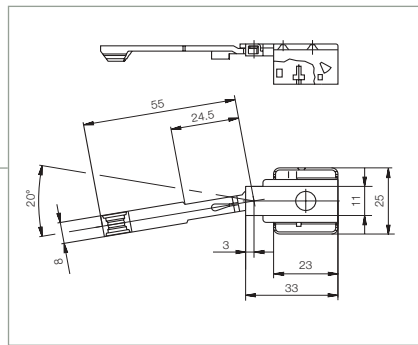
- :: Double pole change-over for reversing direction
- :: Additional switch for series 1298, 1299 and 2504
- :: Various lever designs

## Technical data

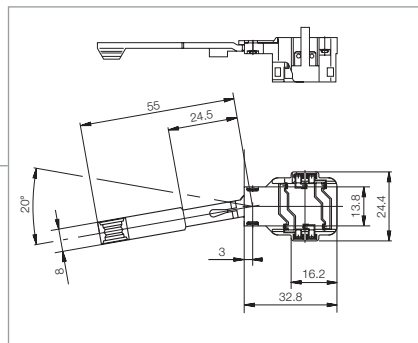
- :: Mechanical endurance 1E4 cycles
- :: Electrical endurance 5E4 cycles



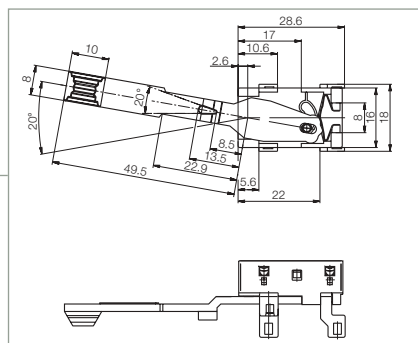
1201



1202



1203



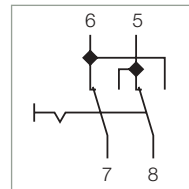
## Terminals

- :: 4 x plug-in terminals 2,8 x 0,8 mm or
- 4 x clamped connection without screws

## Special versions on request

- :: With short lever for slide actuation

## Switching function



# SERIES 2602 - SWITCHES WITH ELECTRONICS

FOR CORDED POWER TOOLS



## Product description

- :: DPNO with by-pass contact, optional with:
  - integrated half-wave electronic speed control or full-wave electronic speed control
  - passive linear potentiometer
  - Lock-on
- :: Dust protected

## Technical data

- :: Electrical rating  
10 (10) A 250V~ 5E4 / **16A 125VAC**
- :: Mechanical endurance 1E5 cycles
- :: Electrical endurance 5E4 cycles
- :: Contacts Ag
- :: **FUJITSU**
- :: Suitable for appliances of class II

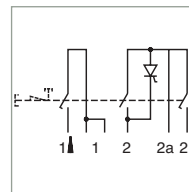
## Terminals

- :: Line side: pillar terminals M3,5 with screw locking
- :: Motor side: flat connector 4,8 x 0,8 mm resp. additional 2,8 x 0,8 mm

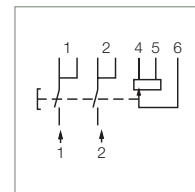
## Special versions on request

- :: ON/OFF version

## Switching function



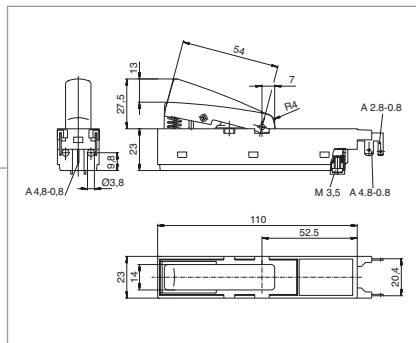
2602.0201



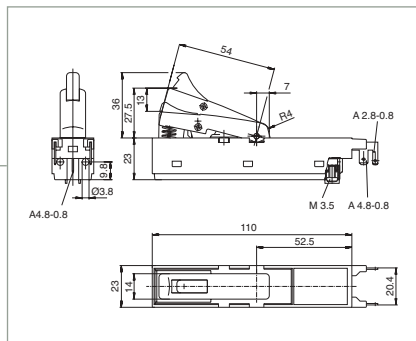
2602.5101



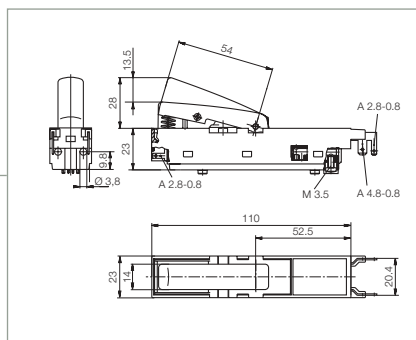
2602.0101



2602.0201  
with lock-on



2602.5101  
with passive linear potentiometer





---

# ON/OFF TRIGGER SWITCHES FOR AC AND DC POWER TOOLS

---



# SERIES 1276 - ON/OFF TRIGGER SWITCHES

in US-SHAPE FOR CORDED POWER TOOLS



## Product description

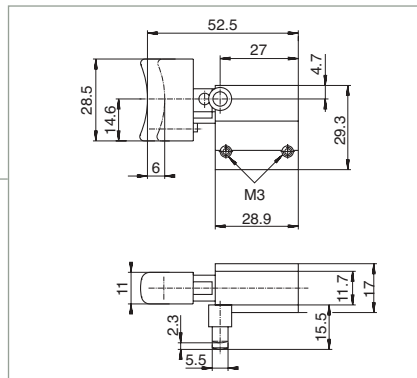
- :: SPNO optional with:
  - Lock-on
  - Lock-off

## Technical data

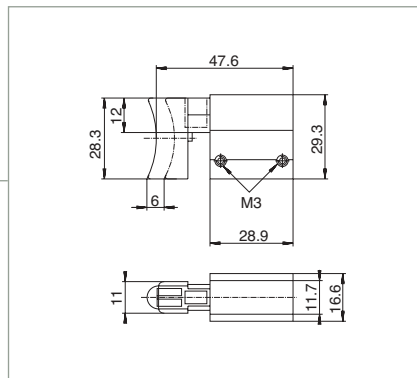
- :: Electrical rating  
8 (8)A 250V~ 5E4 /  
**13A 125VAC / 6A 250VAC**
- :: Mechanical endurance 1E5 cycles
- :: Electrical endurance 5E4 cycles
- :: Contacts Ag
- :: **UL** **CE**
- :: Suitable for appliances of class II



**1276.0101**  
with lock-on



**1276.0601**



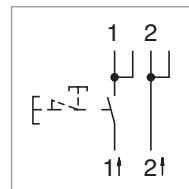
## Terminals

- :: Line side: 2 x pillar terminals M3
- :: Motor side: 4 x push-in terminals for soldered strands, strands with end sleeves or strands with end claws

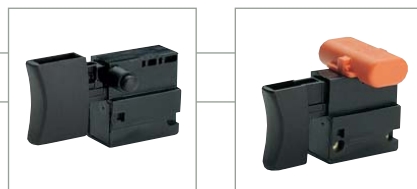
## Special versions on request

- :: SPNO with 2 x push-in terminals for soldered strands for line side and 2 x push-in terminals for soldered strands, strands with end sleeves or strands with end claws for motor side

## Switching function



## Customized versions



# SERIES 1277 - ON/OFF TRIGGER SWITCHES


FOR CORDED POWER TOOLS



## Product description

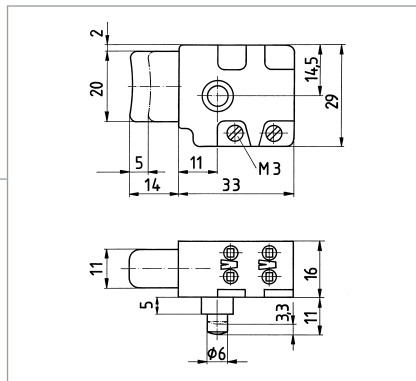
- :: DPNO optional with:
  - Lock-on
  - Lock-off

## Technical data

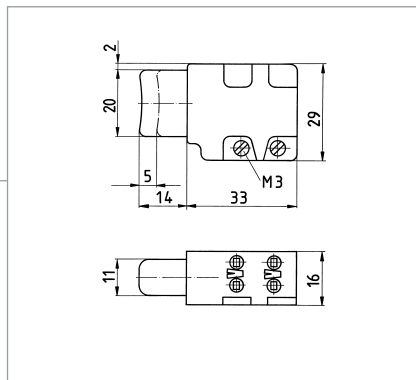
- :: Electrical rating  
5 (5) A 250 V~ 5E4
- :: Mechanical endurance 1E5 cycles
- :: Electrical endurance 5E4 cycles
- :: Contacts Ag
- :: 
- :: Suitable for appliances of class II



**1277.0101**  
with lock-on



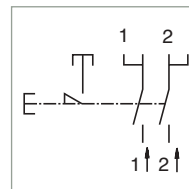
**1277.0201**



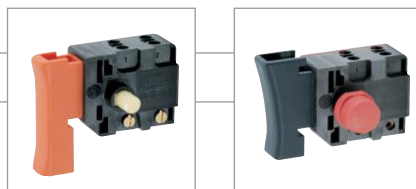
## Terminals

- :: Line side: 2 x pillar terminals M3
- :: Motor side: 4 x push-in terminals for soldered strands, strands with end sleeves or strands with end claws

## Switching function



## Customized versions



# SERIES 2100 - ON/OFF TRIGGER SWITCHES


FOR CORDED POWER TOOLS



## Product description

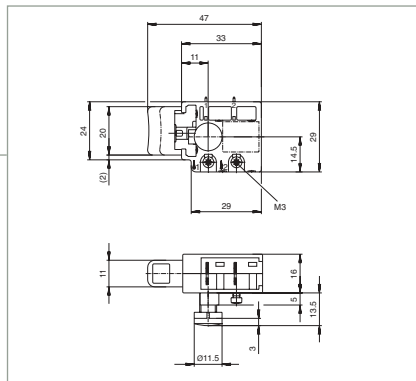
- :: DPNO optional with:
  - Lock-on
  - Lock-off

## Technical data

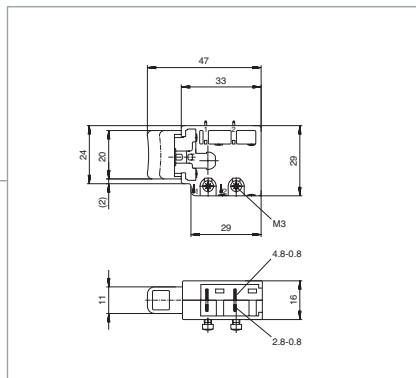
- :: Electrical rating  
up to 8 (8) A 250V~ 5E4 / 12A 125VAC
- :: Mechanical endurance 1E5 cycles
- :: Electrical endurance 5E4 cycles
- :: Contacts Ag
- :: 
- :: Suitable for appliances of class II



**2100.0101**  
with lock-on  
**2100.0301**  
with lock-off



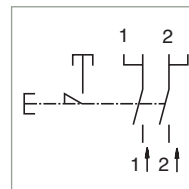
**2100.0201**



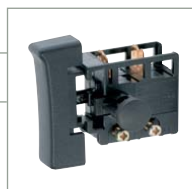
## Terminals

- :: Line side: pillar terminals M3 with screw locking
- :: Motor side: plug-in terminals  
4,8 x 0,8 mm resp. additional  
2,8 x 0,8 mm

## Switching function



## Customized version



# SERIES 1281 - ON/OFF TRIGGER SWITCHES

FOR CORDED POWER TOOLS



## Product description

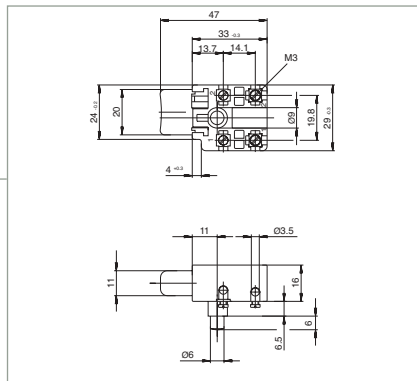
- :: DPNO optional with:
  - Lock-on
  - Lock-off
- :: High dust protection for hardest application conditions

## Technical data

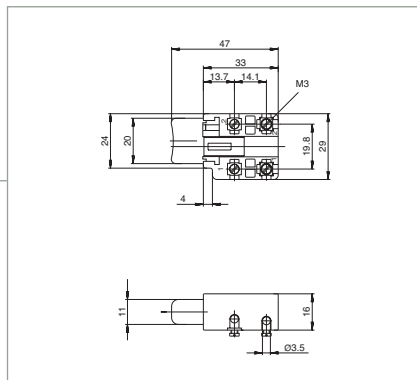
- :: Electrical rating 8 (8)A 250V~ 5E4  
 10A 125-250 VAC  
 3/4HP 125 VAC  
 1 1/2 HP 250 VAC
- :: Mechanical endurance 1E5 cycles
- :: Electrical endurance 5E4 cycles
- :: Contacts Ag
- :: **UL** **CE**
- :: Suitable for appliances of class II



**1281.0101**  
with Lock-on



**1281.0201**



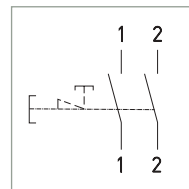
## Terminals

- :: Pillar terminals M3

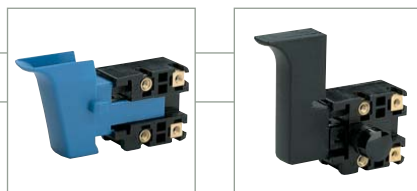
## Special versions on request

- :: DPNO for higher electrical rating up to 17,5A 125 V AC
- :: Lock-on and lock-off

## Switching function



## Customized versions



# SERIES 1269 - DOUBLE POLE ON/OFF TRIGGER SWITCHES


FOR CORDED AND CORDLESS POWER TOOLS



## Product description

- :: DPNO optional with:
  - Lock-on
  - Lock-off
- :: Dust protected

## Technical data

- :: Electrical rating 10 (10)A 250V~ 5E4  
 22A 125 VAC/DC, 1 1/2 HP  
 10A 250 VAC/DC, 1 HP
- :: Mechanical endurance 1E5 cycles
- :: Electrical endurance 5E4 cycles
- :: Contacts Ag
- :: 
- :: Suitable for appliances of class II

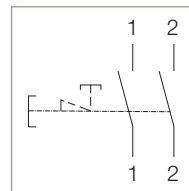
## Terminals

- :: Screw terminals M3,5

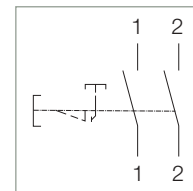
## Special versions on request

- :: SPDT change-over braking version
- :: Upgraded version with arc extinguishing shield
- :: Examples on page 35

## Switching function



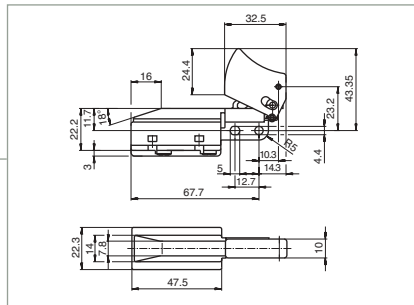
DPNO with lock-on



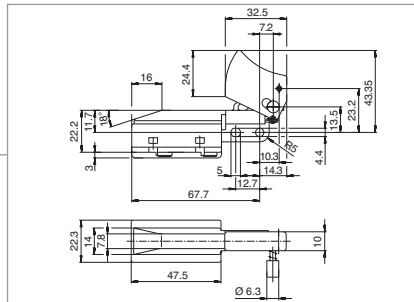
DPNO with lock-off



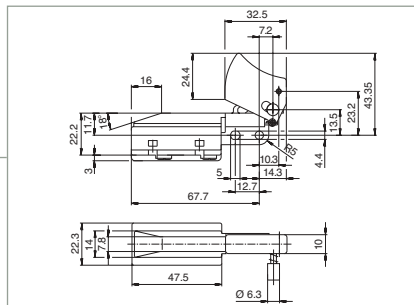
1269.0101



1269.0201  
with lock-on



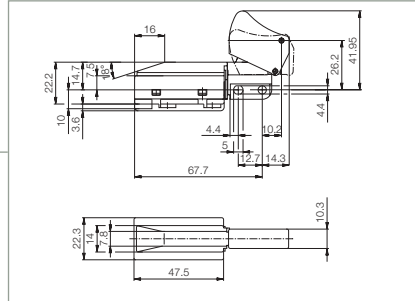
1269.0501  
with lock-off



# SERIES 1269 - DOUBLE POLE ON/OFF/ SINGLE POLE CHANGE-OVER SWITCHES



1269.0602

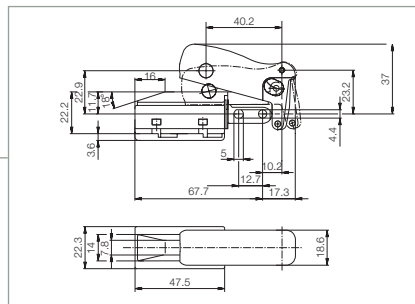


## Product description

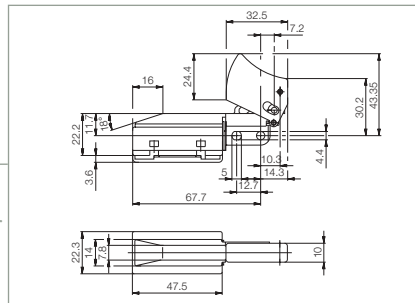
- :: DPNO
- :: Electrical rating 10 (10)A 250V~ 5E4  
22 A 125 VAC/DC, 1 1/2 HP  
10 A 250 VAC/DC, 1 HP



1269.0801



1269.1001  
single pole change-over

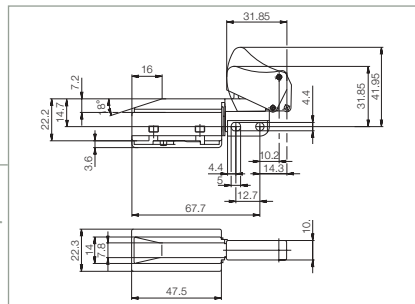


## Product description

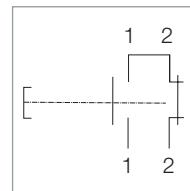
- :: SPDT change-over, e.g. for braking power tools with additional auxiliary coil
- :: Electrical rating 10 (10)A 250V~ 5E4  
22 A 125 VAC, 1 1/2 HP  
15 A 125 VDC, 1 1/2 HP
- :: Upgraded SPDT with arc extinguishing shield and higher DC-rating



1269.5601  
single pole change-over  
with arc shield

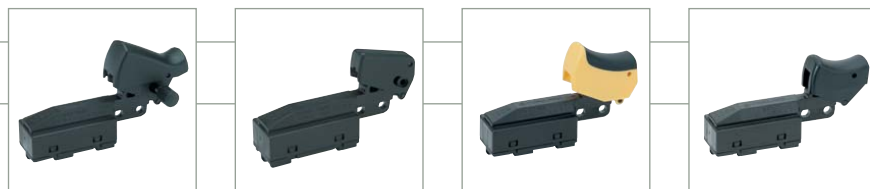


## Switching function



Change-over

## Customized versions

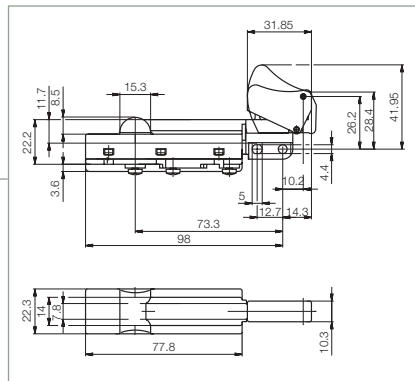


# SERIES 1369 - DOUBLE POLE ON/OFF TRIGGER SWITCHES

WITH TIME-DELAYED CONTACT FOR LIMITATION OF STARTING CURRENT




1369.0601



## Product description

- :: DPNO with additional time-delayed contact, e.g. for soft starting over protective resistor optional with:
  - Lock-on
  - Lock-off
- :: Delay time 0,4 ... 0,8 sec at 20 °C ± 5 °C
- :: Dust protected

## Technical data

- :: Electrical rating 10 (10)A 250V $\cong$  5E4
- :: Mechanical endurance 1E5 cycles
- :: Electrical endurance 5E4 cycles
- :: Contacts Ag
- :: 
- :: Suitable for appliances of class II

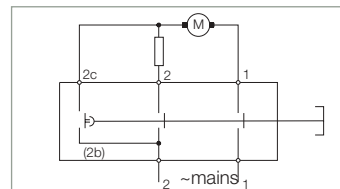
## Terminals

- :: Screw terminals M3,5

## Special versions on request

- :: DPNO with additional normally closed contact e.g. for braking power tools with additional auxiliary coil
- :: UL-Version

## Switching function





# SERIES 1267 - DOUBLE POLE ON/OFF TRIGGER SWITCHES


FOR CORDED POWER TOOLS



## Product description

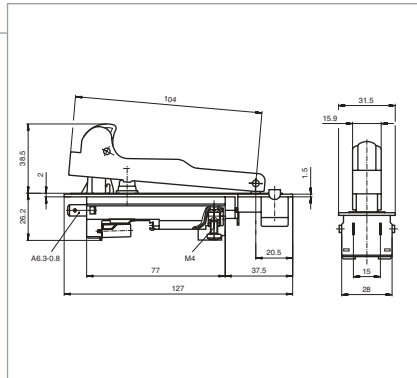
- :: DPNO optional with:
  - Lock-off
  - Lock-on
- :: Preparation for strain relief for power cord
- :: Suppression capacitor  
C=0,22  $\mu$ F/275 VAC
- :: Dust protected

## Technical data

- :: Electrical rating 10(10)A 250V~ 5E4  
16A 125-250VAC  
1 HP 125VAC / 2 HP 250VAC
- :: Mechanical endurance 1E5 cycles
- :: Electrical endurance 5E4 cycles
- :: Contacts Ag
- :: 
- :: Suitable for appliances of class II



**1267.0101**  
with lock-on and  
lock-off



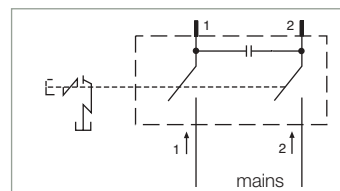
## Terminals

- :: Line side: pillar terminals M4 with screw locking
- :: Motor side: plug-in terminals 6,3x0,8 mm

## Special versions on request

- :: DPNO for higher electrical ratings up to  
12(12)A 250V~ 5E4, 20A 125-250VAC
- :: Without suppression capacitor

## Switching function



## Customized versions



# SERIES 1362 - DOUBLE POLE ON/OFF TRIGGER SWITCHES

WITH TIME-DELAYED CONTACT FOR LIMITATION OF STARTING CURRENT



## Product description

- :: DPNO with additional time-delayed contact, e.g. for soft start-up over protective resistor, optional with:
  - Lock-off
  - Lock-on
- :: Preparation for strain relief for power cord
- :: Delay time 0,3 up to 0,9 sec
- :: Suppression capacitor  $C=0,22 \mu\text{F}/275 \text{VAC}$
- :: Dust protected

## Technical data

- :: Electrical rating 2,6 kW 250 V~ with limitation of starting current
- :: Mechanical endurance 1E5 cycles
- :: Electrical endurance 5E4 cycles
- :: Contacts Ag
- :: Suitable for appliances of class II

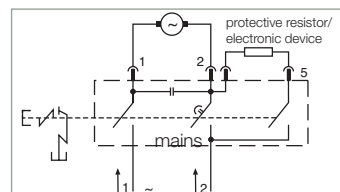
## Terminals

- :: Line side: pillar terminals M4 with screw locking
- :: Motor side: plug-in terminals 6,3x0,8 mm

## Special versions on request

- :: DPNO without lock-off
- :: Without lock-on
- :: Without suppression capacitor

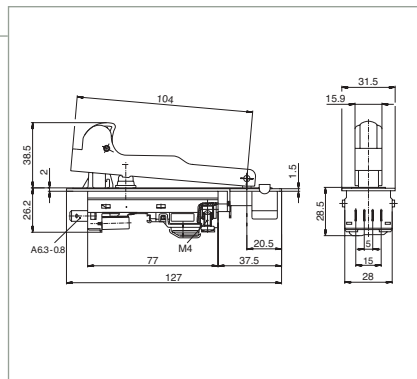
## Switching function



- :: We can help you in the choice of the protective resistor/ electronics.



**1362.0101**  
with lock-on and lock-off



## Customized versions



# SERIES 2200 - DOUBLE POLE ON/OFF TRIGGER SWITCHES


FOR CORDED POWER TOOLS



## Product description

- :: DPNO optional with:
  - Lock-off
  - Lock-on
- :: Suppression capacitor  $C=0,22 \mu\text{F}/275 \text{VAC}$
- :: Dust protected

## Technical data

- :: Electrical rating 8 (8) A 250 V~ 5E4  
 16 A 125-250 VAC / 14 A 125-250 VAC  
 3/4 HP 125 VAC  
 1 1/2 HP 250 VAC
- :: Mechanical endurance  $1\text{E}5$  cycles
- :: Electrical endurance  $5\text{E}4$  cycles
- :: Contacts Ag
- :: 
- :: Suitable for appliances of class II

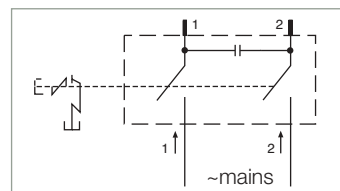
## Terminals

- :: Line side: pillar terminals M4
- :: Motor side: plug-in terminals  
 6,3 x 0,8 mm

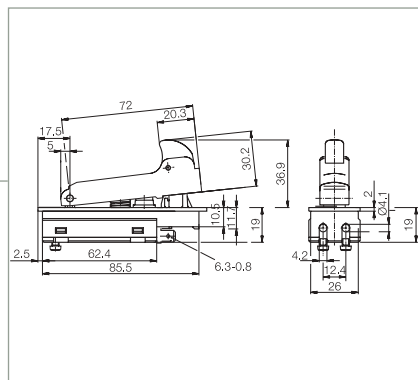
## Special versions on request

- :: DPNO for higher electrical ratings up to  
 12 (12) A 250 V~ 5E4, 20 A 125-250 VAC

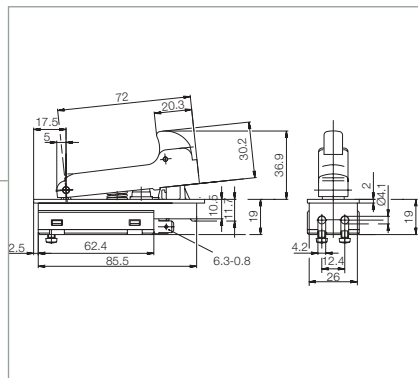
## Switching function



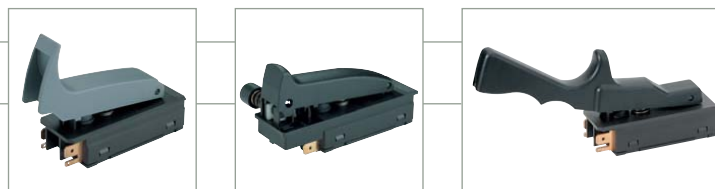
**2200.0101**  
with lock-on and lock-off



**2200.0301**  
with lock-on



## Customized versions



# SERIES 1257 - DOUBLE POLE ON/OFF ROCKER SWITCHES


FOR CORDED POWER TOOLS



## Product description

- :: DPST
- :: Suppression capacitor  $C=0,22 \mu\text{F}/275 \text{VAC}$
- :: Dust protected

## Technical data

- :: Electrical rating 8 (8)A 250V~ 5E4  
14 A 125-250 VAC  
3/4 HP 125 VAC  
1 1/2 HP 250 VAC
- :: Mechanical endurance 1E5 cycles
- :: Electrical endurance 5E4 cycles
- :: Contacts Ag
- ::  **FULCRUM**
- :: Suitable for appliances of class II

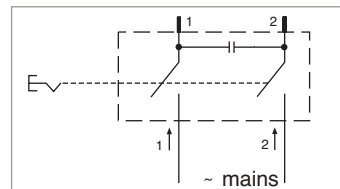
## Terminals

- :: Line side: pillar terminals M4
- :: Motor side: plug-in terminals 6,3x0,8 mm

## Special versions on request

- :: DPST for higher electrical ratings up to  
12 (12)A 250V~ 5E4, 20 A 125-250 VAC

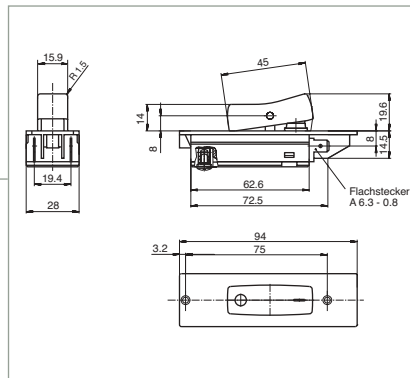
## Switching function



## Customized version



1257.0101



# SERIES 1205 - DOUBLE POLE SLIDE SWITCHES


FOR REVERSING FUNCTIONS



## Product description

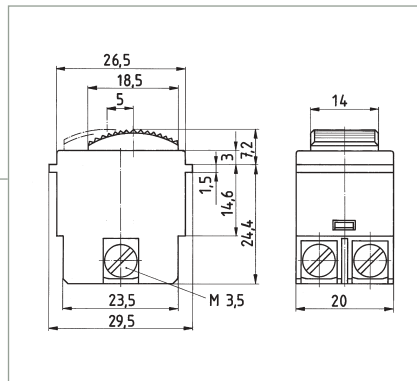
- :: DPDT
- :: Dust protected

## Technical data

- :: Electrical rating 10 (6)A 250V~
- :: Mechanical endurance 5E4 cycles
- :: Electrical endurance 1E4 cycles
- :: Contacts Ag
- :: 
- :: Suitable for appliances of class II



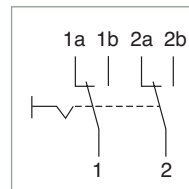
1205.0101



## Terminals

- :: Line side: screw terminals M3,5
- :: Motor side: screw terminals M3,5

## Switching function



# SERIES 1206 - SINGLE POLE SLIDE SWITCHES



FOR DIRECT/INDIRECT ACTUATION FOR AC AND DC POWER TOOLS



## Product description

- :: SPST optional with fixing barrier
- :: For direct and indirect actuation
- :: Dust protected
- :: Optional sealing from actuation side

## Technical data

- :: Electrical rating 8 (8)A 250V~ 5E4  
15A 125VAC / 8A 250VAC  
25A 12-36VDC
- :: Mechanical endurance 1E5 cycles
- :: Electrical endurance 5E4 cycles
- :: Contacts Ag
- ::  
- :: Suitable for appliances of class II

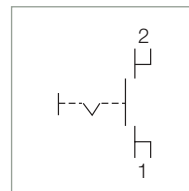
## Terminals

- :: Plug-in terminals 6,3 x 0,8 mm
- :: PCB terminals straight

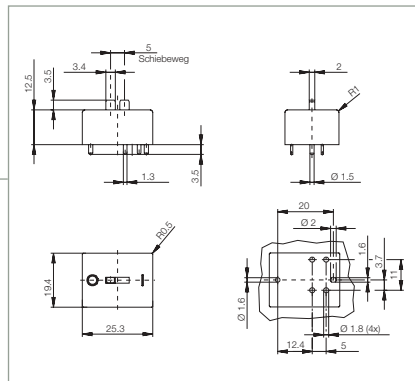
## Special versions on request

- :: Other solder lugs
- :: Momentary function

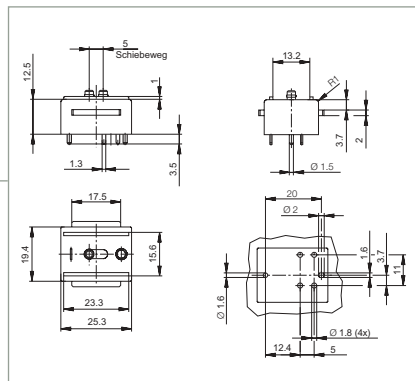
## Switching function



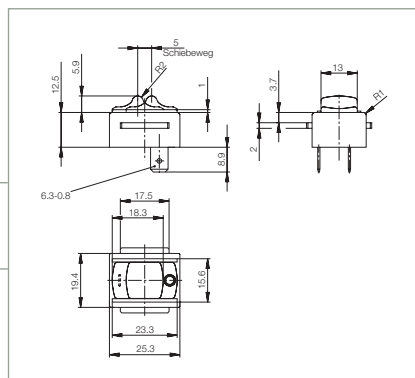
**1206.2501**  
for indirect actuation



**1206.2701**  
for snap-on of customized sliders, with fixing barrier



**1206.3201**



---

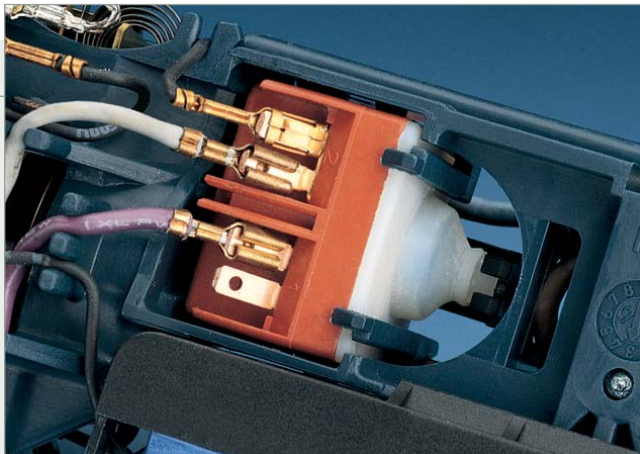
# SWITCHES FOR INDIRECT ACTUATION FOR CORDED POWER TOOLS

---



# SERIES 1247 - SINGLE AND DOUBLE POLE SWITCHES


FOR INDIRECT ACTUATION FOR CORDED POWER TOOLS



## Product description

- :: SPNO and DPNO optional with:
  - Mounting ribs
  - Suppression capacitor
- :: SPNO (second path bridged)
- :: Dust protected

## Technical data

- :: Electrical rating 7 (7)A 250V~ 5E4  
**10A 125VAC / 5A 250VAC**
- :: Mechanical endurance 1E5 cycles
- :: Electrical endurance 5E4 cycles
- :: Contacts Ag
- :: 
- :: Suitable for appliances of class II

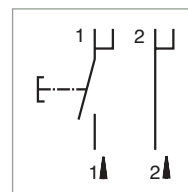
## Terminals

- :: Line side: screw terminals M3,5
- :: Motor side and suppression device: plug-in terminals 2,8 x 0,8 mm

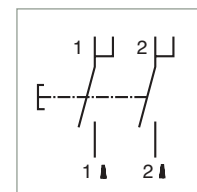
## Special version on request

- :: Non-momentary function (push/pull)

## Switching function



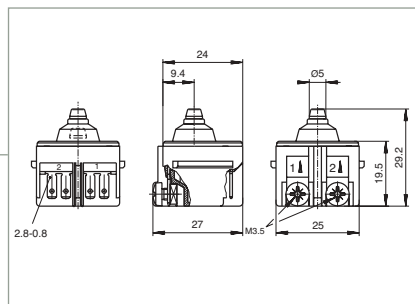
single pole



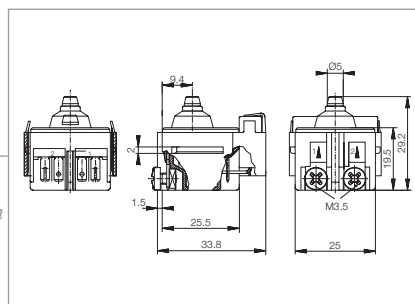
double pole



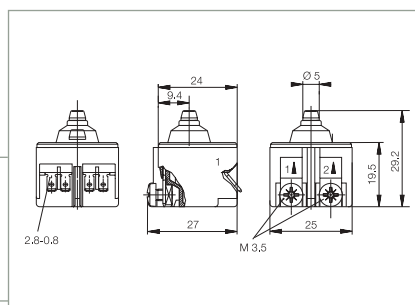
**1247.0301**  
SPNO  
**1247.2301**  
DPNO



**1247.0501**  
SPNO with suppression capacitor  
**1247.2501**  
DPNO with suppression capacitor



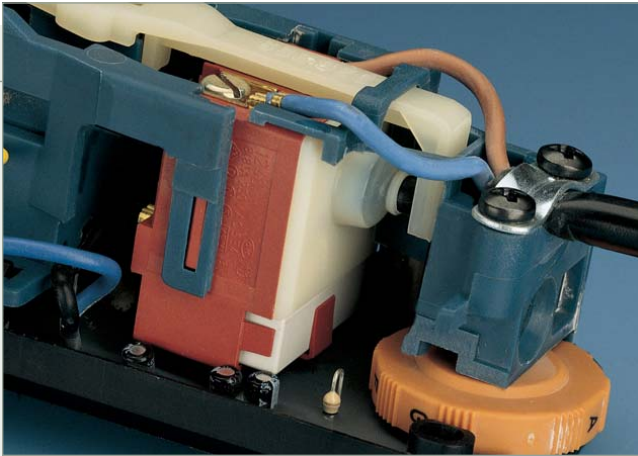
**1247.0102**  
SPNO  
**1247.2102**  
DPNO





# SERIES 1246 - DOUBLE POLE PUSH BUTTON SWITCHES


FOR INDIRECT ACTUATION FOR CORDED POWER TOOLS



## Product description

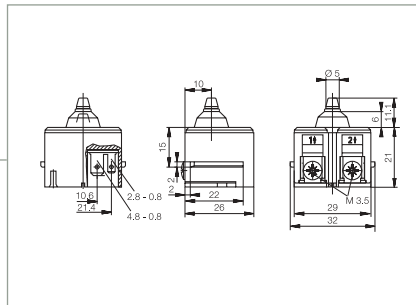
- :: DPNO optional with:
  - Mounting ribs
  - Suppression capacitor
- :: Dust protected

## Technical data

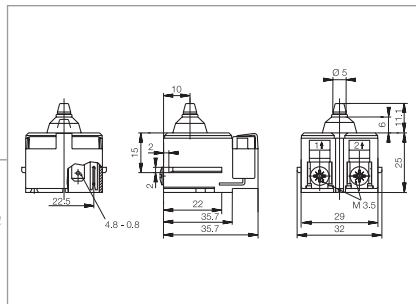
- :: Electrical rating 8 (8) A 250 V~ 5E4  
 14 A 125 VAC / 8 A 125 VDC  
 8 A 125 VAC
- :: Mechanical endurance 1E5 cycles
- :: Electrical endurance 5E4 cycles
- :: Contacts Ag
- :: 
- :: Suitable for appliances of class II



**1246.3201**  
DPNO



**1246.3101**  
DPNO with suppression capacitor



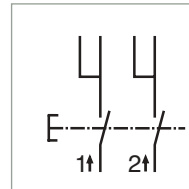
## Terminals

- :: Line side: screw terminals M3,5
- :: Motor side: plug-in terminals 4,8 x 0,8 mm, additional 2,8 x 0,8 mm

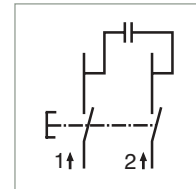
## Special version on request

- :: DPDT for 6 (6) A 250 V~

## Switching function



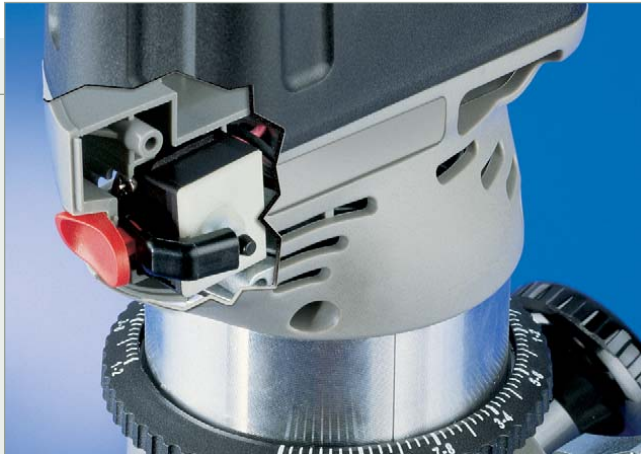
1246.3201



1246.3101

# SERIES 1249 - DOUBLE POLE AC/DC PUSH BUTTON SWITCHES


FOR INDIRECT ACTUATION FOR AC AND DC POWER TOOLS



## Product description

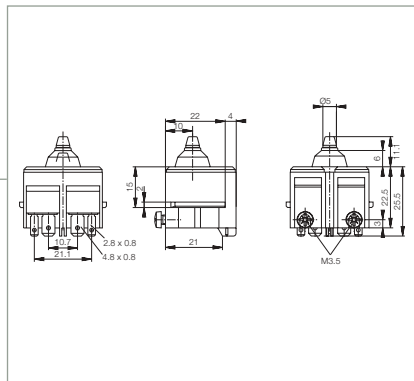
- :: DPNO optional with:
  - Suppression capacitor
  - Mounting ribs
- :: Dust protected

## Technical data

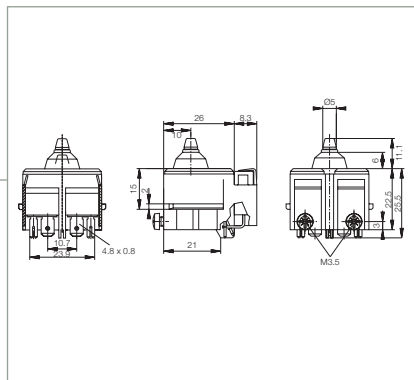
- :: Electrical rating 8 (8) A 250 V~ 5E4  
15 A 125 VAC 1 HP / 15 A 125 VDC 1 HP  
25 A 24 VDC
- :: Mechanical endurance 1E5 cycles
- :: Electrical endurance 5E4 cycles
- :: Contacts Ag
- :: 
- :: Suitable for appliances of class II



1249.0101



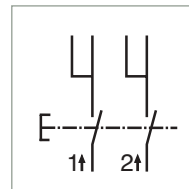
1249.0201  
with suppression capacitor



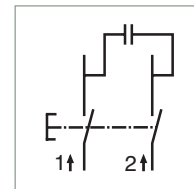
## Terminals

- :: Line side: screw terminals M3,5
- :: Motor side: plug-in terminals 4,8x0,8 mm resp. additional 2,8x0,8 mm

## Switching function



1249.0101



1249.0201

# SERIES 1267 - DOUBLE POLE PUSH BUTTON SWITCHES

FOR INDIRECT ACTUATION FOR CORDED POWER TOOLS



## Product description

- :: DPNO
- :: Dust protected

## Technical data

- :: Electrical rating 8 (8) A 250V~ 5E4  
14 A 125 VAC 3/4 HP  
14 A 250 VAC 1 1/2 HP
- :: Mechanical endurance 1E5 cycles
- :: Electrical endurance 5E4 cycles
- :: Contacts Ag
- :: UL CE
- :: Suitable for appliances of class II

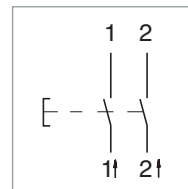
## Terminals

- :: Line side: screw terminals M4
- :: Motor side: plug-in terminals  
 6,3 x 0,8 mm

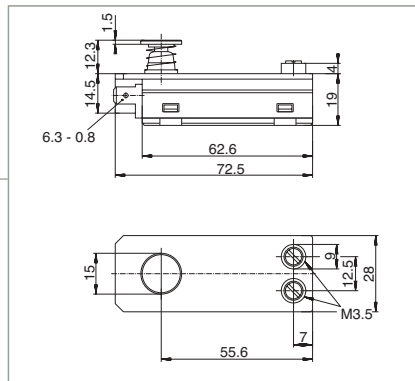
## Special versions on request

- :: DPNO for higher electrical ratings up to  
 12 (12) A 250V~ 5E4, 20 A 125-250 VAC

## Switching function

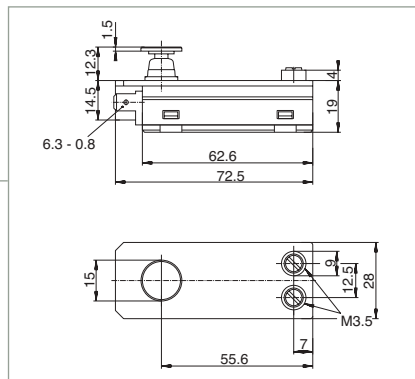


1267.7101



1267.7121

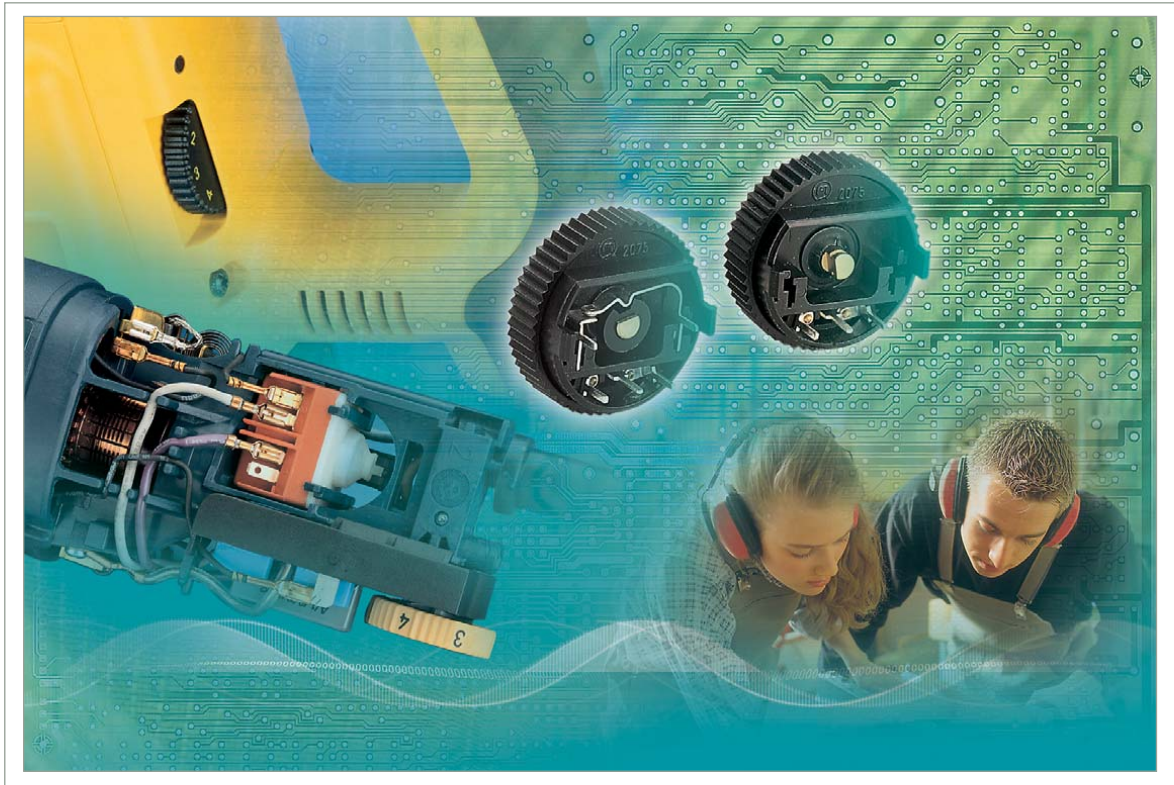
*non-momentary  
function*



---

# ROTARY POTENTIOMETERS

---



# SERIES 2075 - ROTARY POTENTIOMETER

FOR PCB ASSEMBLIES



## Product description

:: Rotary potentiometer, optional with NO contact

## Technical data

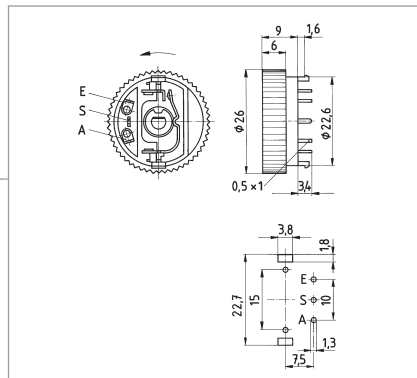
- :: Electrical rating SPNO  
4 (2) A 250 V~  $\mu$
- :: Mechanical endurance 1E5 cycles
- :: Electrical endurance 5E4 cycles
- :: Contacts Ag
- :: Resistance value  $R_N = 220 \text{ k}\Omega$   
Tolerance on request
- :: Rotation angle of switch 30°, rotation angle of resistor 270°

## Terminals

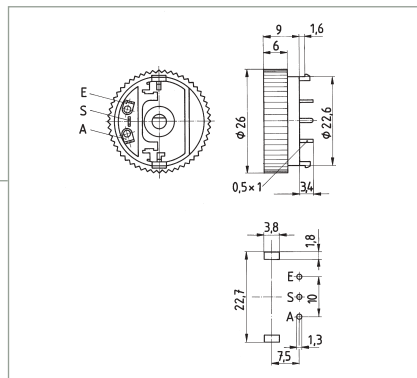
:: Silver-plated PCB



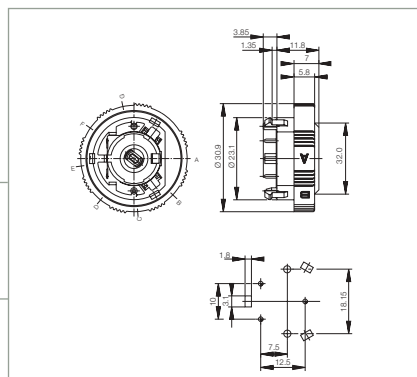
**2075.1501**  
with switch



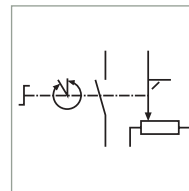
**2075.1801**  
without switch



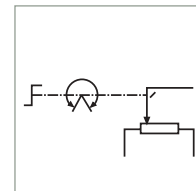
**2075.2421**  
without switch, with  
print A-G, white



## Switching function



with switch



without switch

---

# CUSTOMIZED POWER TOOL SWITCHES

---

## AND BRUSHRINGS

---



---

CUSTOMIZED SPEED-CONTROL UNITS WITH AND  
WITHOUT FEEDBACK

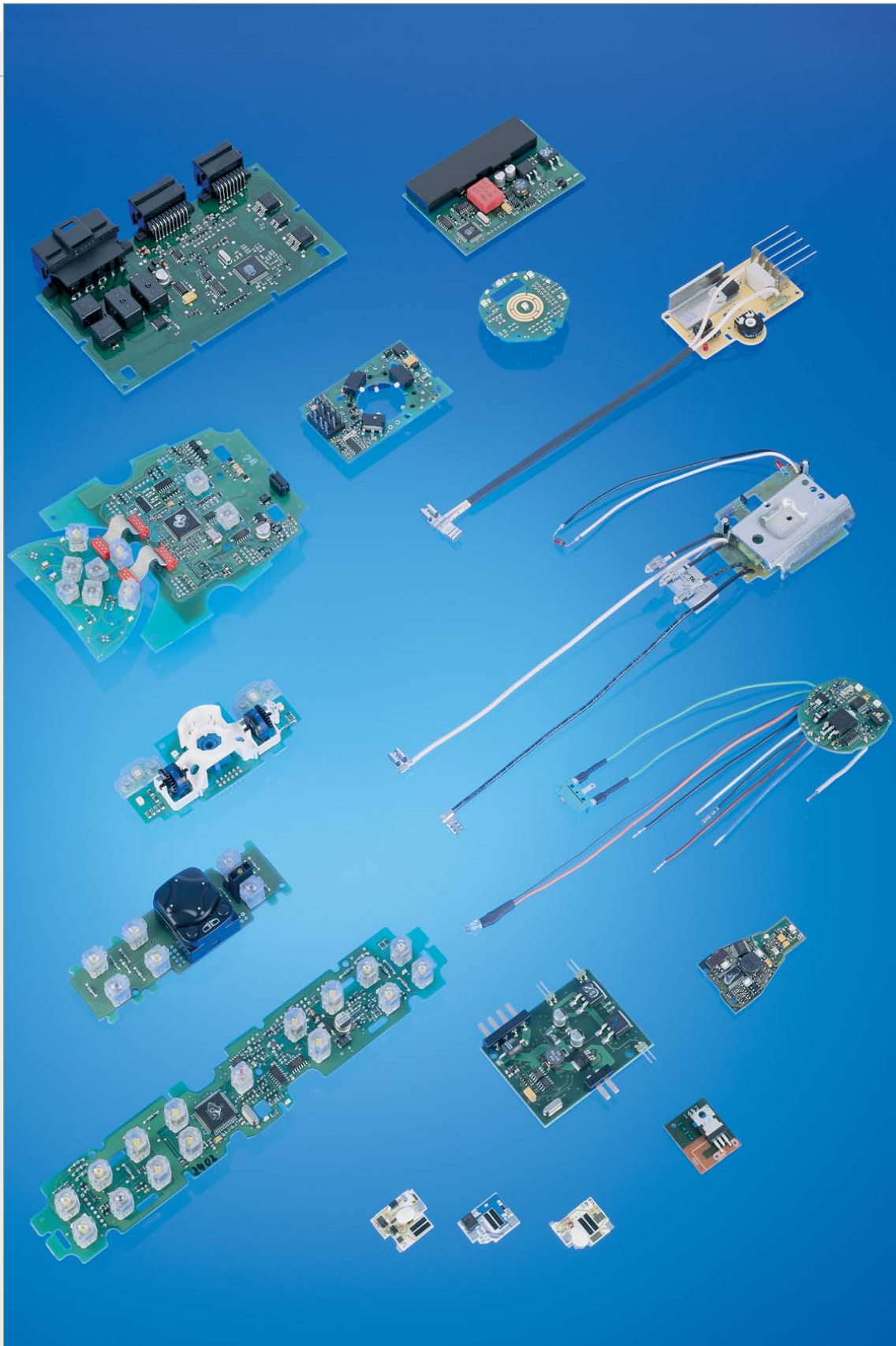
---



---

# SOLID STATE CONTROL UNITS

---





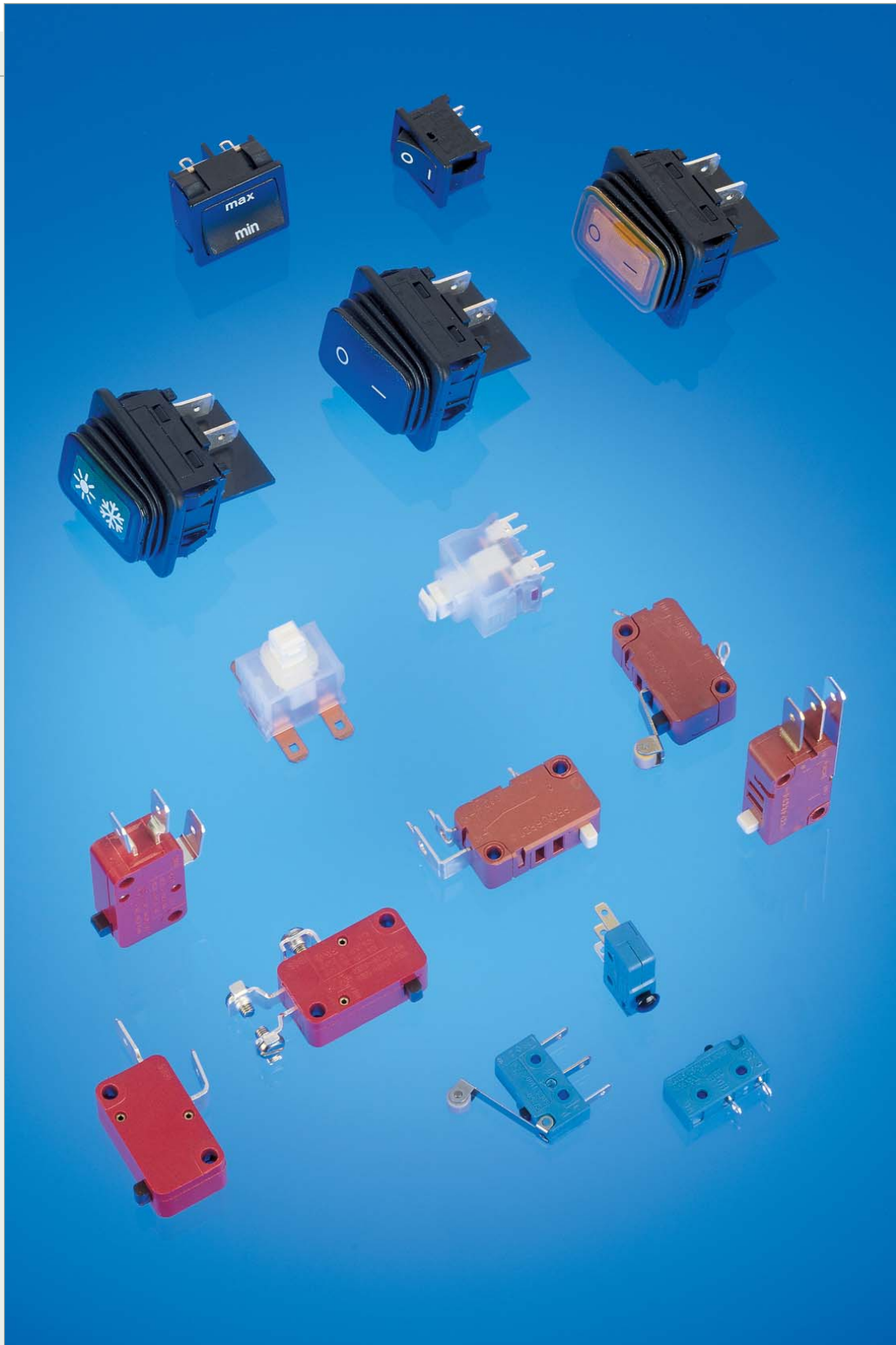
---

## ROBUST APPLIANCE AND SNAP ACTION SWITCHES

---

### FOR USE IN POWER TOOLS

---



*For further information about these switches please request our standard switches catalog.*

# INDEX OF PART NUMBERS

Part Number	Page	Part Number	Page
1205.0101	38	1299.0101	23
1206.2501	39	1299.5101	23
1206.2701	39	1299.5431	23
1206.3201	39	1362.0101	35
1246.3101	42	1369.0601	33
1246.3201	42	2075.1501	46
1247.0102	41	2075.1801	46
1247.0301	41	2075.2421	46
1247.0501	41	2100.0101	29
1247.2102	41	2100.0201	29
1247.2301	41	2100.0301	29
1247.2501	41	2200.0101	36
1249.0101	43	2200.0301	36
1249.0201	43	2504.0101	21
1257.0101	37	2504.0301	22
1267.0101	34	2504.2201	22
1267.7101	44	2504.2401	21
1267.7121	44	2504.5201	22
1269.0101	31	2504.5401	21
1269.0201	31	2504.7101	21
1269.0501	31	2504.7312	22
1269.0602	32	2602.0101	25
1269.0801	32	2602.0201	25
1269.1001	32	2602.5101	25
1269.5601	32	2700.0101	13
1276.0101	27	2700.5101	13
1276.0601	27	2701.5101	16
1277.0101	28	2701.5201	16
1277.0201	28	2704.0401	14
1281.0101	30	2707.5101	16
1281.0201	30	2707.5301	16
1298.0101	21	2709.5101	17
1298.0301	22	2709.5301	17
1298.2201	22	2711.5101	17
1298.2401	21	2711.5602	17
1298.5201	22		
1298.5401	21		
1298.7101	21		
1298.7312	22		

---

# THE MARQUARDT GROUP

---

---

## GERMANY

Marquardt GmbH  
Schloss-Str. 16  
78604 Rietheim-Weilheim  
Phone ++49 (74 24) 99-0  
Fax ++49 (74 24) 99-23 99  
www.marquardt.de  
marquardt@marquardt.de

Marquardt GmbH  
Plant Böttingen  
Spaichinger Weg 1  
78583 Böttingen  
Phone ++49 (74 29) 94 03-0  
Fax ++49 (74 24) 94 03-260  
www.marquardt.de  
marquardt@marquardt.de

Hans Koch GmbH & Co. KG, Trossingen

---

## FRANCE

Marquardt France S.A.R.L.  
520, avenue Blaise Pascal - Lot n° 4  
77557 Moissy Cramayel Cedex  
Phone ++33 (1) 64 13 60 70  
Fax ++33 (1) 64 13 60 71  
info@marquardt.fr

---

## SWITZERLAND

Marquardt Verwaltungs-GmbH  
Zweigniederlassung Schaffhausen  
Ernst Müller-Str.7  
Postfach 952  
CH-8201 Schaffhausen  
Phone ++41 (52) - 644 30 00  
Fax ++41 (52) - 644 30 60  
www.marquardt.ch  
marquardt@marquardt.ch

---

## USA

Marquardt Switches Inc.  
2711 Route 20 East  
Cazenovia, NY 13035-0465  
Phone ++1 (3 15) 6 55 80 50  
Fax ++1 (3 15) 6 55 80 42  
www.switches.com  
info@marqswitch.com

Marquardt Switches Inc.  
Automotive Products Group  
122 Centre Road  
Auburn Hills, MI 48326  
Phone ++1 (2 48) 3 77 31 01  
Fax ++1 (2 48) 3 77 31 09  
www.switches.com  
info@marqswitch.com

---

## TUNISIA

S.A.E.E., La Soukra, Tunis

---

## CHINA

Marquardt Switches (Shanghai) Co., Ltd.  
No. 458 Qingda Road  
Heqing Industrial Zone  
Shanghai (Pudong) 20 12 01  
Phone ++86 (21) 58 97 33 02  
Fax ++86 (21) 58 97 23 99  
mscsh@marquardt.com.cn

---

## INDIA

RGK Controls & Components Pte. Ltd.  
21, Govt. Industrial Estate  
Kandivli (West) - Mumbai 400 067  
Phone ++91 (22) 8 68 45 19  
Fax ++91 (22) 8 68 85 10  
www.rgkswitches.com  
sales@rgkswitches.com

---

## PRODUCT RANGE

---

### SWITCHES AND SWITCHING SYSTEMS FOR AUTOMOBILES

Rocker, toggle and push button switches, bus-capable switches, multifunctional switches, control panels, control devices, electronic keys, electronic ignition starter switches, Keyless Go systems, electronic steering locks

---

### POWER TOOL SWITCHES

Mechanical and electronic switches and switching systems for DC and AC electrical power tools

---

### APPLIANCE SWITCHES

Rocker switches, toggle switches, slide switches, push button switches, rotary multistep switches, foot switches and pilot lights

---

### SNAP ACTION SWITCHES

Open, enclosed and bistable snap action switches, open leaf switches, snap action switches with dust and splash water protection

---

### SENSORS AND SYSTEM SOLUTIONS

Flow sensors, turbidity sensors, displacement sensors, automatic control systems

---



**MARQUARDT**



Компания «ЭлектроПласт» предлагает заключение долгосрочных отношений при поставках импортных электронных компонентов на взаимовыгодных условиях!

Наши преимущества:

- Оперативные поставки широкого спектра электронных компонентов отечественного и импортного производства напрямую от производителей и с крупнейших мировых складов;
- Поставка более 17-ти миллионов наименований электронных компонентов;
- Поставка сложных, дефицитных, либо снятых с производства позиций;
- Оперативные сроки поставки под заказ (от 5 рабочих дней);
- Экспресс доставка в любую точку России;
- Техническая поддержка проекта, помощь в подборе аналогов, поставка прототипов;
- Система менеджмента качества сертифицирована по Международному стандарту ISO 9001;
- Лицензия ФСБ на осуществление работ с использованием сведений, составляющих государственную тайну;
- Поставка специализированных компонентов (Xilinx, Altera, Analog Devices, Intersil, Interpoint, Microsemi, Aeroflex, Peregrine, Syfer, Eurofarad, Texas Instrument, Miteq, Cobham, E2V, MA-COM, Hittite, Mini-Circuits, General Dynamics и др.);

Помимо этого, одним из направлений компании «ЭлектроПласт» является направление «Источники питания». Мы предлагаем Вам помощь Конструкторского отдела:

- Подбор оптимального решения, техническое обоснование при выборе компонента;
- Подбор аналогов;
- Консультации по применению компонента;
- Поставка образцов и прототипов;
- Техническая поддержка проекта;
- Защита от снятия компонента с производства.



#### Как с нами связаться

**Телефон:** 8 (812) 309 58 32 (многоканальный)

**Факс:** 8 (812) 320-02-42

**Электронная почта:** [org@eplast1.ru](mailto:org@eplast1.ru)

**Адрес:** 198099, г. Санкт-Петербург, ул. Калинина, дом 2, корпус 4, литера А.