



## SY88903AL

### 3.3V, Burst Mode 1.25Gbps PECL High-Sensitivity Limiting Post Amplifier with TTL Loss-of-Signal

#### General Description

The SY88903AL, burst mode, high-sensitivity limiting post amplifier is designed for use in fiber-optic receivers, specially optimized for passive optical networks (PONs). The device connects to typical transimpedance amplifiers (TIAs). The linear signal output from TIAs can contain significant amounts of noise and may vary in amplitude over time. The SY88903AL quantizes these signals and outputs PECL level waveforms.

The SY88903AL operates from a single +3.3V power supply, over temperatures ranging from  $-40^{\circ}\text{C}$  to  $+85^{\circ}\text{C}$ . Signals with data rates from 622Mbps up to 1.25Gbps, and as small as  $5\text{mV}_{\text{pp}}$ , can be amplified to drive devices with PECL inputs.

The SY88903AL generates a Loss-of-Signal (LOS) open-collector TTL output. A programmable Loss-of-Signal level set pin ( $\text{LOS}_{\text{LVL}}$ ) sets the sensitivity of the input amplitude detection. LOS asserts high if the input amplitude falls below the threshold set by  $\text{LOS}_{\text{LVL}}$  and de-asserts low otherwise. The enable bar input ( $/\text{EN}$ ) de-asserts the true output signal without removing the input signal. The LOS output can be fed back to the  $/\text{EN}$  input to maintain output stability under a loss-of-signal condition. Typically, 3.4dB LOS hysteresis is provided to prevent chattering.

All support documentation can be found on Micrel's web site at: [www.micrel.com](http://www.micrel.com).

#### Features

- Single 3.3V power supply
- Fast LOS release/assert ( $<500\text{ns}$ ) time for PON applications
- 622Mbps to 1.25Gbps operation
- Low-noise PECL data outputs
- High gain LOS
- Chatter-free Open-Collector TTL signal detect (LOS) output with internal  $4.75\text{k}\Omega$  pull-up resistor
- TTL  $/\text{EN}$  input
- Programmable LOS level set ( $\text{LOS}_{\text{LVL}}$ )
- Available in a tiny 10-pin MSOP package

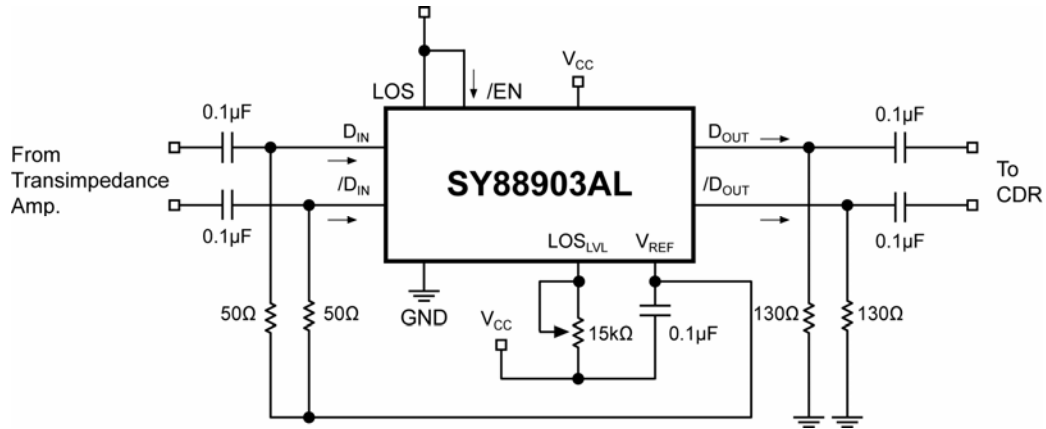
#### Applications

- GPON/GEPON/EPON
- Gigabit Ethernet, 1062Mbps Fibre Channel
- OC-12/24 SONET/SDH
- Low-gain TIA interface
- High-gain line driver and line receiver

#### Markets

- FTTH/FTTP
- Datacom/telecom
- Optical transceiver

### Typical Application Circuit



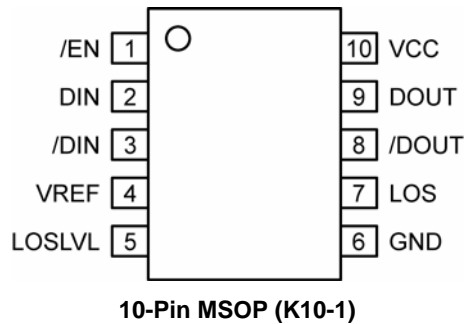
## Ordering Information

Part Number	Package Type	Operating Range	Package Marking	Lead Finish
SY88903ALKG	K10-1	Industrial	903A with Pb-Free bar line indicator	NiPdAu Pb-Free
SY88903ALKGTR <sup>(1)</sup>	K10-1	Industrial	903A with Pb-Free bar line indicator	NiPdAu Pb-Free

**Note:**

1. Tape and Reel.

## Pin Configuration



## Pin Description

Pin Number	Pin Name	Type	Pin Function
1	/EN	TTL Input: Default is HIGH.	/Enable: This input enables the outputs when it is LOW. Note that this input is internally connected to a 25k $\Omega$ pull-up resistor and will default to a logic HIGH state if left open.
2	DIN	Data Input	True data input.
3	/DIN	Data Input	Complementary data input.
4	VREF		Reference voltage: Placing a capacitor here to V <sub>CC</sub> helps stabilize LOS <sub>LVL</sub> .
5	LOSLVL	Input	Loss-of-Signal Level Set: a resistor from this pin to V <sub>CC</sub> sets the threshold for the data input amplitude at which LOS will be asserted.
6	GND	Ground	Device ground.
7	LOS	Open-collector TTL output w/internal 4.75k $\Omega$ pull-up resistor	Loss-of-Signal: asserts high when the data input amplitude falls below the threshold set by LOS <sub>LVL</sub> .
8	/DOUT	PECL Output	Complementary data output.
9	DOUT	PECL Output	True data output.
10	VCC	Power Supply	Positive power supply.

### Absolute Maximum Ratings<sup>(1)</sup>

Supply Voltage ( $V_{CC}$ ) ..... 0V to +7.0V  
 Input Voltage (DIN, /DIN) ..... 0 to  $V_{CC}$   
 Output Current ( $I_{OUT}$ )  
     Continuous .....  $\pm 50$ mA  
     Surge .....  $\pm 100$ mA  
 /EN Voltage ..... 0 to  $V_{CC}$   
 $V_{REF}$  Current ..... -800 $\mu$ A to +500 $\mu$ A  
 $LOS_{LVL}$  Voltage .....  $V_{REF}$  to  $V_{CC}$   
 Lead Temperature (soldering, 20sec.) ..... 260°C  
 Storage Temperature ( $T_s$ ) ..... -65°C to +150°C

### Operating Ratings<sup>(2)</sup>

Supply Voltage ( $V_{CC}$ ) ..... +3.0V to +3.6V  
 Ambient Temperature ( $T_A$ ) ..... -40°C to +85°C  
 Junction Temperature ( $T_J$ ) ..... -40°C to +120°C  
 Junction Thermal Resistance  
     MSOP ( $\theta_{JA}$ ) Still-air ..... 113°C/W

### DC Electrical Characteristics

$V_{CC} = 3.0$  to  $3.6$ V;  $R_L = 50\Omega$  to  $V_{CC}-2$ V;  $T_A = -40^\circ\text{C}$  to  $+85^\circ\text{C}$ , typical values at  $V_{CC} = 3.3$ V,  $T_A = 25^\circ\text{C}$ .

Symbol	Parameter	Condition	Min	Typ	Max	Units
$I_{CC}$	Power Supply Current	No output load		26	39	mA
$LOS_{LVL}$	$LOS_{LVL}$ Voltage		$V_{REF}$		$V_{CC}$	V
$V_{OH}$	PECL Output HIGH Voltage		$V_{CC}-1.085$	$V_{CC}-0.955$	$V_{CC}-0.880$	V
$V_{OL}$	PECL Output LOW Voltage		$V_{CC}-1.850$	$V_{CC}-1.705$	$V_{CC}-1.555$	V
$V_{IHCMR}$	Common Mode Range		GND+2.0		$V_{CC}$	V
$V_{REF}$	Reference Voltage		$V_{CC}-1.48$	$V_{CC}-1.32$	$V_{CC}-1.16$	V

### TTL DC Electrical Characteristics

$V_{CC} = 3.0$  to  $3.6$ V;  $R_L = 50\Omega$  to  $V_{CC}-2$ V;  $T_A = -40^\circ\text{C}$  to  $+85^\circ\text{C}$ , typical values at  $V_{CC} = 3.3$ V,  $T_A = 25^\circ\text{C}$ .

Symbol	Parameter	Condition	Min	Typ	Max	Units
$V_{IH}$	/EN Input HIGH Voltage		2.0			V
$V_{IL}$	/EN Input LOW Voltage				0.8	V
$I_{IH}$	/EN Input HIGH Current	$V_{IN} = 2.7$ V $V_{IN} = V_{CC}$			20 100	$\mu$ A $\mu$ A
$I_{IL}$	/EN Input LOW Current	$V_{IN} = 0.5$ V	-0.3			mA
$V_{OH}$	LOS Output HIGH Level	$V_{CC} \geq 3.3$ V, $I_{OH-MAX} < 160\mu$ A $V_{CC} < 3.3$ V, $I_{OH-MAX} < 160\mu$ A	2.4 2.0			V V
$V_{OL}$	LOS Output LOW Level	$I_{OL} = +2$ mA			0.5	V

**Notes:**

1. Permanent device damage may occur if absolute maximum ratings are exceeded. This is a stress rating only and functional operation is not implied at conditions other than those detailed in the operational sections of this data sheet. Exposure to absolute maximum rating conditions for extended periods may affect device reliability.
2. The data sheet limits are not guaranteed if the device is operated beyond the operating ratings.

## AC Electrical Characteristics

$V_{CC} = 3.0$  to  $3.6V$ ;  $R_L = 50\Omega$  to  $V_{CC}-2V$ ;  $T_A = -40^\circ C$  to  $+85^\circ C$ , typical values at  $V_{CC} = 3.3V$ ,  $T_A = 25^\circ C$ .

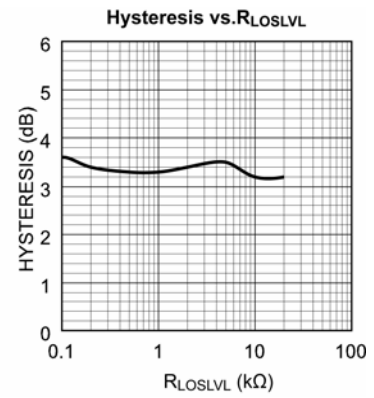
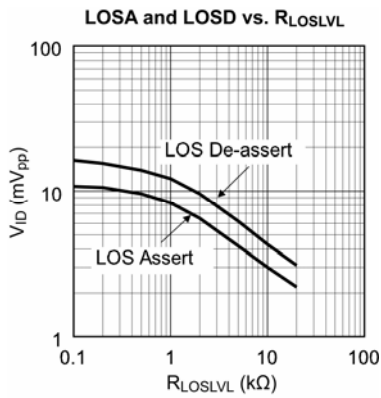
Symbol	Parameter	Condition	Min	Typ	Max	Units
$t_r, t_f$	Output Rise/Fall Time (20% to 80%)	Note 3			260	ps
$t_{JITTER}$	Deterministic Random	Note 4 Note 5		15 5		ps <sub>PP</sub> ps <sub>RMS</sub>
$V_{ID}$	Differential Input Voltage Swing	See Figure 1	5		1800	mV <sub>PP</sub>
$V_{OD}$	Differential Output Voltage Swing	$V_{ID} \geq 18mV_{PP}$ , See Figure 1		1500		mV <sub>PP</sub>
$t_{OFF}$	LOS Release Time	Note 8		40	500	ns
$t_{ON}$	LOS Assert Time	Note 8		125	500	ns
$LOS_{AL}$	Low LOS Assert Level	$R_{LOSLVL} = 15k\Omega$ , Note 6		2.3		mV <sub>PP</sub>
$LOS_{DL}$	Low LOS De-assert Level	$R_{LOSLVL} = 15k\Omega$ , Note 6		3.4		mV <sub>PP</sub>
$HSY_L$	Low LOS Hysteresis	$R_{LOSLVL} = 15k\Omega$ , Note 7		3.4		dB
$LOS_{AM}$	Medium LOS Assert Level	$R_{LOSLVL} = 5k\Omega$ , Note 6	2	4.2		mV <sub>PP</sub>
$LOS_{DM}$	Medium LOS De-assert Level	$R_{LOSLVL} = 5k\Omega$ , Note 6		6.2	9	mV <sub>PP</sub>
$HSY_M$	Medium LOS Hysteresis	$R_{LOSLVL} = 5k\Omega$ , Note 7	2	3.4	5	dB
$LOS_{AH}$	High LOS Assert Level	$R_{LOSLVL} = 100\Omega$ , Note 6	8	10.8		mV <sub>PP</sub>
$LOS_{DH}$	High LOS De-assert Level	$R_{LOSLVL} = 100\Omega$ , Note 6		16.4	21	mV <sub>PP</sub>
$HSY_H$	High LOS Hysteresis	$R_{LOSLVL} = 100\Omega$ , Note 7	2	3.4	5	dB
$B_{3dB}$	3dB Bandwidth			1		GHz
$A_{V(Diff)}$	Differential Voltage Gain			42		dB
$S_{21}$	Single-Ended Small-Signal Gain		30	36		dB

### Notes:

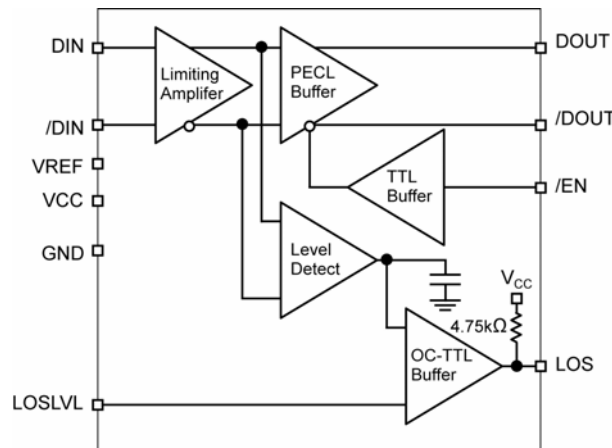
- Amplifier in limiting mode. Input is a 200MHz square wave.
- Deterministic jitter measured using 1.25Gbps K28.5 pattern,  $V_{ID} = 10mV_{PP}$ .
- Random jitter measured using 1.25Gbps K28.7 pattern,  $V_{ID} = 10mV_{PP}$ .
- See "Typical Operating Characteristics" for a graph showing how to choose a particular  $R_{LOSLVL}$  for a particular LOS assert and its associated de-assert amplitude.
- This specification defines electrical hysteresis as  $20\log(\text{LOS De-assert}/\text{LOS Assert})$ . The ratio between optical hysteresis and electrical hysteresis is found to vary between 1.5 and 2 depending upon the level of received optical power and ROSA characteristics. Based on that ratio, the optical hysteresis corresponding to the electrical hysteresis range 1dB-4.5 dB, shown in the AC characteristics table, will be 0.5dB-3dB Optical Hysteresis.
- In real world applications, the LOS Release/Assert time can be strongly influenced by the RC time constant of the AC-coupling cap and the 50 $\Omega$  input termination. To keep this time low, use a decoupling cap with the lowest value that is allowed by the data rate and the number of consecutive identical bits in the application (typical values are in the range of 0.001 $\mu F$  to 1.0 $\mu F$ ).

### Typical Operating Characteristics

$V_{CC} = 3.3V$ ,  $T_A = 25^\circ C$ ,  $R_L = 50\Omega$  to  $V_{CC}-2V$ , unless otherwise stated.



## Functional Block Diagram



## Detailed Description

The SY88903AL high-sensitivity limiting post amplifier operates from a single +3.3V power supply, over temperatures from  $-40^{\circ}\text{C}$  to  $+85^{\circ}\text{C}$ . Signals with data rates from 622Mbps up to 1.25Gbps, and as small as  $5\text{mV}_{\text{pp}}$ , can be amplified. Figure 1 shows the allowed input voltage swing. The SY88903AL generates an LOS output, allowing feedback to /EN for output stability.  $\text{LOS}_{\text{LVL}}$  sets the sensitivity of the input amplitude detection.

### Input Amplifier/Buffer

Figure 2 shows a simplified schematic of the input stage. The high-sensitivity of the input amplifier allows signals as small as  $5\text{mV}_{\text{pp}}$  to be detected and amplified. The input amplifier allows input signals as large as  $1800\text{mV}_{\text{pp}}$ . Input signals are linearly amplified with a typically 42dB differential voltage gain. Since it is a limiting amplifier, the SY88903AL outputs typically  $1500\text{mV}_{\text{pp}}$  voltage-limited waveforms for input signals that are greater than  $12\text{mV}_{\text{pp}}$ . Applications requiring the SY88903AL to operate with high-gain should have the upstream TIA placed as close as possible to the SY88903AL's input pins to ensure the best performance of the device.

### Output Buffer

The SY88903AL's PECL output buffer is designed to drive  $50\Omega$  lines. The output buffer requires appropriate termination for proper operation. An external  $50\Omega$  resistor to  $V_{\text{CC}}-2\text{V}$  for each output pin provides this. Figure 3 shows a simplified schematic of the output stage.

### Loss-of-Signal

The SY88903AL generates a chatter-free loss-of-signal (LOS) open-collector TTL output with internal  $4.75\text{k}\Omega$  pull-up resistor as shown in Figure 4. LOS is used to determine that the input amplitude is too small to be considered a valid input. LOS asserts high if the input amplitude falls below the threshold set by  $\text{LOSLVL}$  and de-asserts low otherwise. LOS can be fed back to the enable (/EN) input to maintain output stability under a loss of signal condition. /EN de-asserts low the true output signal without removing the input signals. Typically, 3.4dB LOS hysteresis is provided to prevent chattering.

### Loss-of-Signal-Level Set

A programmable LOS level set pin ( $\text{LOS}_{\text{LVL}}$ ) sets the threshold of the input amplitude detection. Connecting an external resistor between  $V_{\text{CC}}$  and  $\text{LOSLVL}$  sets the voltage at  $\text{LOSLVL}$ . This voltage ranges from  $V_{\text{CC}}$  to  $V_{\text{REF}}$ . The external resistor creates a voltage divider between  $V_{\text{CC}}$  and  $V_{\text{REF}}$ , as shown in Figure 5.

### Hysteresis

The SY88903AL provides typically 3.4dB LOS electrical hysteresis. By definition, a power ratio measured in dB is  $10\log(\text{power ratio})$ . Power is calculated as  $V_{\text{IN}}^2/R$  for an electrical signal. Hence, the same ratio can be stated as  $20\log(\text{voltage ratio})$ . While in linear mode, the electrical voltage input changes linearly with the optical power and hence, the ratios change linearly. Therefore, the optical hysteresis in dB is half the electrical hysteresis in dB given in the data sheet. The SY88903AL is an electrical device, this data sheet refers to hysteresis in electrical terms. With 3.4dB LOS hysteresis, a voltage factor of 1.5 is required to assert or de-assert LOS.

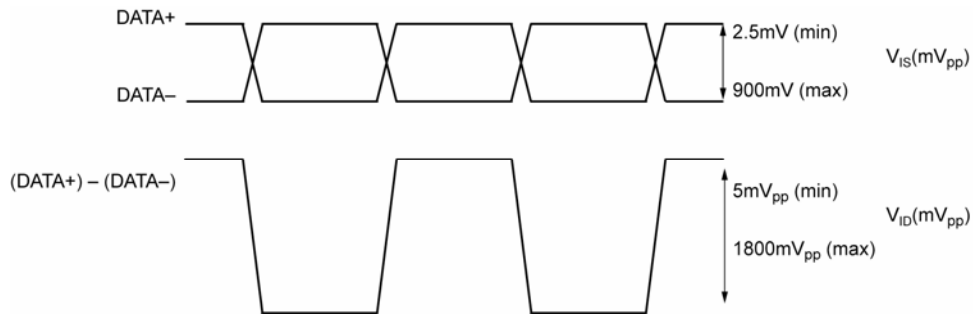


Figure 1.  $V_{IS}$  and  $V_{ID}$  Definition

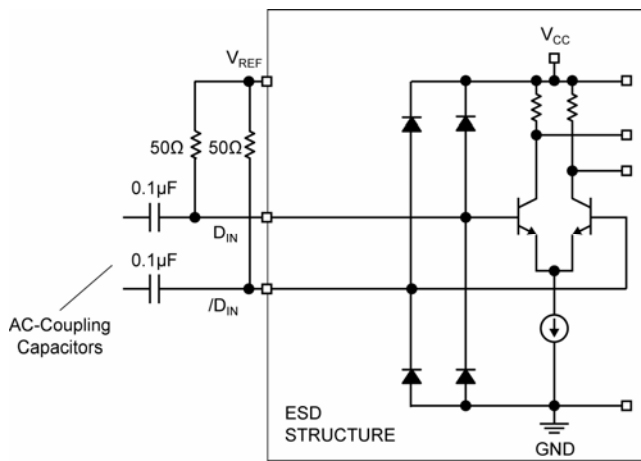


Figure 2. Input Structure

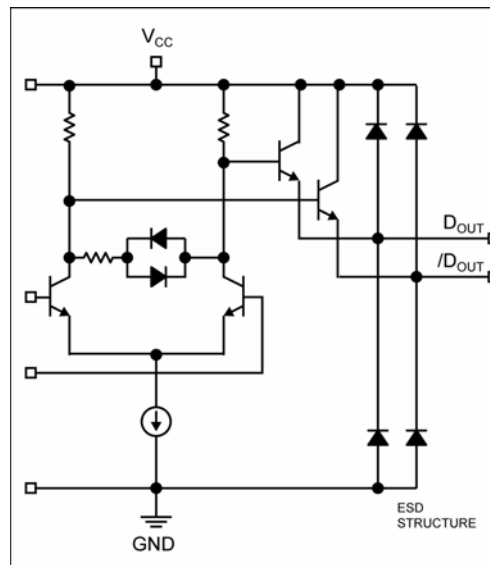


Figure 3. Output Structure



Figure 4. LOS Output Structure

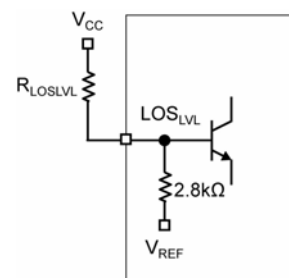


Figure 5.  $LOS_{LVL}$  Setting Circuit

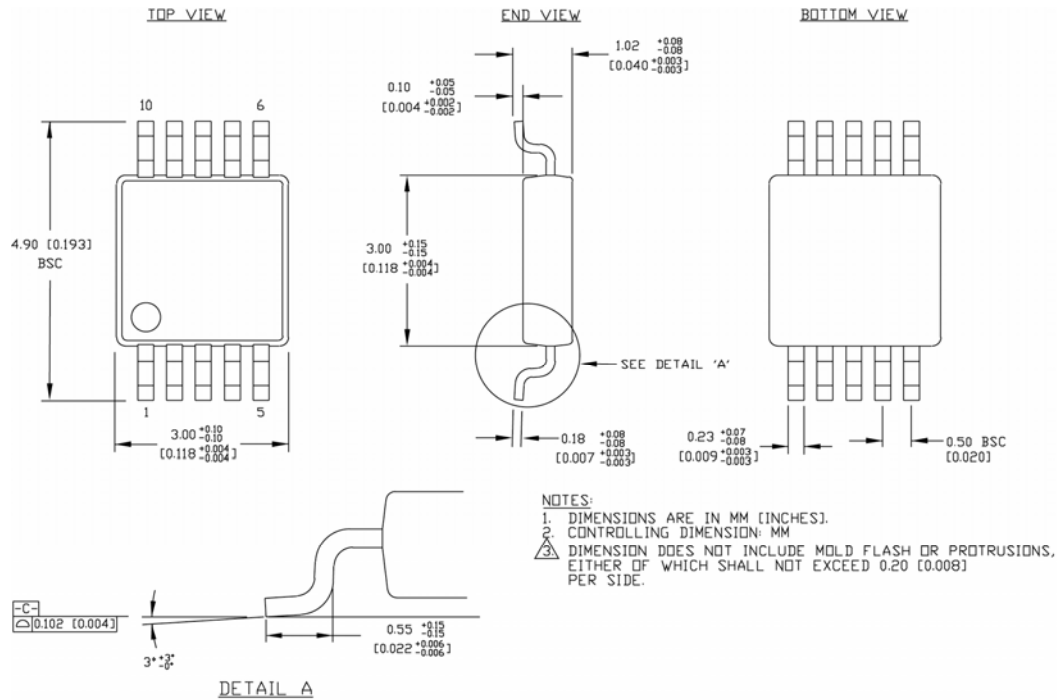
Note: Recommended value for  $R_{LOSLVL}$  is 15kΩ or less.

**Related Product and Support Documentation**

Part Number	Function	Data Sheet Link
Application Notes	Notes on Sensitivity and Hysteresis in Micrel Post Amplifiers	<a href="http://www.micrel.com/product-info/app_hints+notes.shtml">http://www.micrel.com/product-info/app_hints+notes.shtml</a>



**Package Information**



Rev. 00

**10-Pin MSOP (K10-1)**

**MICREL, INC. 2180 FORTUNE DRIVE SAN JOSE, CA 95131 USA**  
 TEL +1 (408) 944-0800 FAX +1 (408) 474-1000 WEB <http://www.micrel.com>

The information furnished by Micrel in this data sheet is believed to be accurate and reliable. However, no responsibility is assumed by Micrel for its use. Micrel reserves the right to change circuitry and specifications at any time without notification to the customer.

Micrel Products are not designed or authorized for use as components in life support appliances, devices or systems where malfunction of a product can reasonably be expected to result in personal injury. Life support devices or systems are devices or systems that (a) are intended for surgical implant into the body or (b) support or sustain life, and whose failure to perform can be reasonably expected to result in a significant injury to the user. A Purchaser's use or sale of Micrel Products for use in life support appliances, devices or systems is a Purchaser's own risk and Purchaser agrees to fully indemnify Micrel for any damages resulting from such use or sale.

© 2005 Micrel, Incorporated.



Компания «ЭлектроПласт» предлагает заключение долгосрочных отношений при поставках импортных электронных компонентов на взаимовыгодных условиях!

Наши преимущества:

- Оперативные поставки широкого спектра электронных компонентов отечественного и импортного производства напрямую от производителей и с крупнейших мировых складов;
- Поставка более 17-ти миллионов наименований электронных компонентов;
- Поставка сложных, дефицитных, либо снятых с производства позиций;
- Оперативные сроки поставки под заказ (от 5 рабочих дней);
- Экспресс доставка в любую точку России;
- Техническая поддержка проекта, помощь в подборе аналогов, поставка прототипов;
- Система менеджмента качества сертифицирована по Международному стандарту ISO 9001;
- Лицензия ФСБ на осуществление работ с использованием сведений, составляющих государственную тайну;
- Поставка специализированных компонентов (Xilinx, Altera, Analog Devices, Intersil, Interpoint, Microsemi, Aeroflex, Peregrine, Syfer, Eurofarad, Texas Instrument, Miteq, Cobham, E2V, MA-COM, Hittite, Mini-Circuits, General Dynamics и др.);

Помимо этого, одним из направлений компании «ЭлектроПласт» является направление «Источники питания». Мы предлагаем Вам помощь Конструкторского отдела:

- Подбор оптимального решения, техническое обоснование при выборе компонента;
- Подбор аналогов;
- Консультации по применению компонента;
- Поставка образцов и прототипов;
- Техническая поддержка проекта;
- Защита от снятия компонента с производства.



#### Как с нами связаться

**Телефон:** 8 (812) 309 58 32 (многоканальный)

**Факс:** 8 (812) 320-02-42

**Электронная почта:** [org@eplast1.ru](mailto:org@eplast1.ru)

**Адрес:** 198099, г. Санкт-Петербург, ул. Калинина, дом 2, корпус 4, литера А.