



FEATURES

- Self-powered, only two connections required
- +4.50-19.99Vdc, +8.0-50.0Vdc, +30.0-199.9Vdc and +30-264Vdc models
- Ideal replacements for analog panel meters
- Ultra-low power consumption (8mA typ.)
- 0.37"/9.4mm high, red or blue, LED displays
- Subminiature 1.38" x 0.88" x 1.0" packages
- Super reliable, epoxy-encapsulated, construction

Functional Specifications

Input

Voltage Range: ①

DMS-20PC-0-DCM	+4.50 to +19.99Vdc
DMS-20PC-1-DCM	+8.0 to +50.0Vdc
DMS-20PC-2-DCM	+30 to +264Vdc
DMS-20PC-8-DCM	+30.0 to +199.9Vdc

Current Consumption:

DMS-20PC-0/1-DCM	13mA (max.)
DMS-20PC-2/8-DCM	7mA (max.)

Performance

Sampling Rate

2.5 readings/second

Resolution:

DMS-20PC-0-DCM	±0.01V
DMS-20PC-1/8-DCM	±0.1V
DMS-20PC-2-DCM	±1V

Accuracy @ +25°C:

DMS-20PC-0-DCM	±0.01V (typ.), ±0.03V (max.)
DMS-20PC-1/8-DCM	±0.1V (typ.), ±0.2V (max.)
DMS-20PC-2-DCM	±1V (typ.), ±2V (max.)

Mechanical

Dimensions	1.38" x 0.88" x 1.00"
Display Type	3 & 3½ digit, LED, 0.37"/9.4mm
Weight	1 ounce (28 grams)
Case Material	Polycarbonate
6-32 screw torque	6-8 in-lb (0.7 – 0.9N-m)

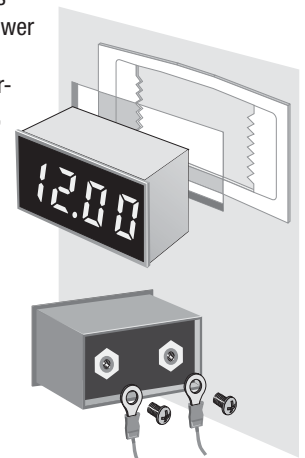
Environmental

Operating Temperature	-25 to +60°C
Storage Temperature	-40 to +75°C
Humidity (Non-condensing)	0 to 95%

① Operation and accuracy at inputs above or below these ranges are not specified.

DATEL's DMS-20PC-DCM Series of self-powered, positive-reading, dc voltage monitors are great replacements for older, hard-to-read, analog panel meters. Simply connect a positive dc voltage across the rear terminals and the meters are fully operational — no additional components or power supplies are required! The large, 0.37"/9.4mm, LED displays can be easily read from 15 feet away. Four versions are available: +4.50-19.99Vdc (0.01V resolution), +8.0-50.0Vdc (0.1V resolution), +30.0-199.9Vdc (0.1V resolution) and +30-264Vdc (1V resolution). Built-in reverse polarity protection assures simple, trouble-free installation.

All DMS-20PC-DCM's employ a high-resolution, 3½ digit A/D converter and precision metal-film resistors to achieve outstanding performance over an operating temperature range of -25 to +60°C. A rugged, epoxy-encapsulated, polycarbonate case provides excellent protection against moisture, shock and vibration. The DMS-20PC-DCM's are designed to fit the same panel cutout as DATEL's popular DMS-20PC-X-LM ac-line voltage monitors



Typical panel mount installation and suggested wiring (user supplied).

Ordering Information

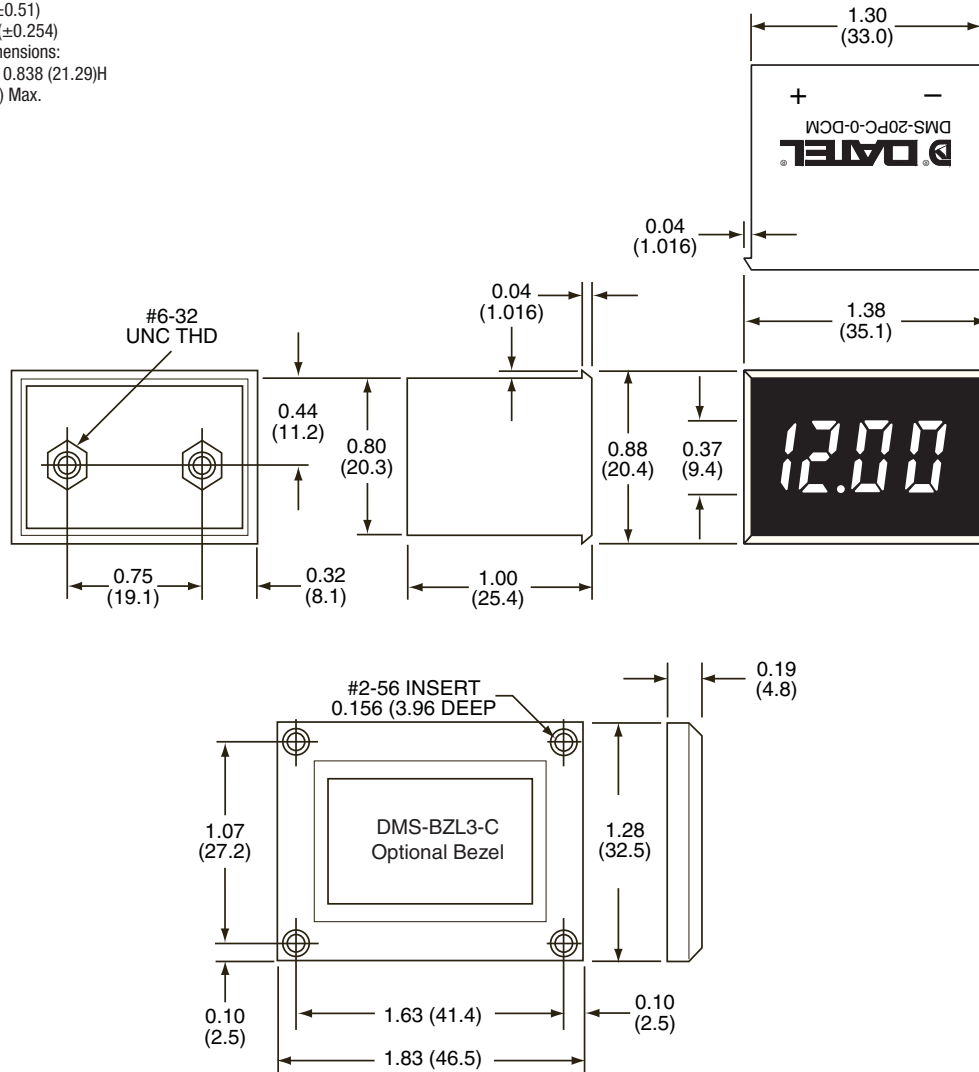
DMS-20PC-0-DCM-C	+4.50 to +19.99V dc red LED voltage monitor
DMS-20PC-0-DCM-B-C	+4.50 to +19.99V blue LED dc voltage monitor
DMS-20PC-0-DCM-G-C	+4.50 to +19.99V green LED dc voltage monitor
DMS-20PC-1-DCM-C	+8.0 to +50.0V red LED dc voltage monitor
DMS-20PC-1-DCM-B-C	+8.0 to +50.0V blue LED dc voltage monitor
DMS-20PC-1-DCM-G-C	+8.0 to +50.0V green LED dc voltage monitor
DMS-20PC-2-DCM-C	+30 to +264V dc voltage monitor
DMS-20PC-8-DCM-C	+30.0 to +199.9V dc voltage monitor
DMS-20-CP	Panel cutout punch
DMS-BZL3-C	Panel mount bezel assembly
DMS-BZL4-C	Panel mount bezel with sealing gasket

Brass screws (6-32 thread) and a panel-mount retaining clip are supplied with each meter



MECHANICAL SPECIFICATIONS

Dimensions in inches (millimeters)
 Tolerances: 2 PL Dec ± 0.02 (± 0.51)
 3 PL Dec ± 0.010 (± 0.254)
 Recommended panel cutout dimensions:
 1.336 (33.93)W \times 0.838 (21.29)H
 Internal corner radii 0.032 (0.81) Max.



Murata Power Solutions, Inc.
 11 Cabot Boulevard, Mansfield, MA 02048-1151 U.S.A.
 ISO 9001 and 14001 REGISTERED

Murata Power Solutions, Inc. makes no representation that the use of its products in the circuits described herein, or the use of other technical information contained herein, will not infringe upon existing or future patent rights. The descriptions contained herein do not imply the granting of licenses to make, use, or sell equipment constructed in accordance therewith. Specifications are subject to change without notice.
 © 2012 Murata Power Solutions, Inc.



Компания «ЭлектроПласт» предлагает заключение долгосрочных отношений при поставках импортных электронных компонентов на взаимовыгодных условиях!

Наши преимущества:

- Оперативные поставки широкого спектра электронных компонентов отечественного и импортного производства напрямую от производителей и с крупнейших мировых складов;
- Поставка более 17-ти миллионов наименований электронных компонентов;
- Поставка сложных, дефицитных, либо снятых с производства позиций;
- Оперативные сроки поставки под заказ (от 5 рабочих дней);
- Экспресс доставка в любую точку России;
- Техническая поддержка проекта, помощь в подборе аналогов, поставка прототипов;
- Система менеджмента качества сертифицирована по Международному стандарту ISO 9001;
- Лицензия ФСБ на осуществление работ с использованием сведений, составляющих государственную тайну;
- Поставка специализированных компонентов (Xilinx, Altera, Analog Devices, Intersil, Interpoint, Microsemi, Aeroflex, Peregrine, Syfer, Eurofarad, Texas Instrument, Miteq, Cobham, E2V, MA-COM, Hittite, Mini-Circuits, General Dynamics и др.);

Помимо этого, одним из направлений компании «ЭлектроПласт» является направление «Источники питания». Мы предлагаем Вам помощь Конструкторского отдела:

- Подбор оптимального решения, техническое обоснование при выборе компонента;
- Подбор аналогов;
- Консультации по применению компонента;
- Поставка образцов и прототипов;
- Техническая поддержка проекта;
- Защита от снятия компонента с производства.



Как с нами связаться

Телефон: 8 (812) 309 58 32 (многоканальный)

Факс: 8 (812) 320-02-42

Электронная почта: org@eplast1.ru

Адрес: 198099, г. Санкт-Петербург, ул. Калинина, дом 2, корпус 4, литера А.