



Is Now Part of



**ON Semiconductor®**

To learn more about ON Semiconductor, please visit our website at  
[www.onsemi.com](http://www.onsemi.com)

Please note: As part of the Fairchild Semiconductor integration, some of the Fairchild orderable part numbers will need to change in order to meet ON Semiconductor's system requirements. Since the ON Semiconductor product management systems do not have the ability to manage part nomenclature that utilizes an underscore (\_), the underscore (\_) in the Fairchild part numbers will be changed to a dash (-). This document may contain device numbers with an underscore (\_). Please check the ON Semiconductor website to verify the updated device numbers. The most current and up-to-date ordering information can be found at [www.onsemi.com](http://www.onsemi.com). Please email any questions regarding the system integration to [Fairchild\\_questions@onsemi.com](mailto:Fairchild_questions@onsemi.com).

ON Semiconductor and the ON Semiconductor logo are trademarks of Semiconductor Components Industries, LLC dba ON Semiconductor or its subsidiaries in the United States and/or other countries. ON Semiconductor owns the rights to a number of patents, trademarks, copyrights, trade secrets, and other intellectual property. A listing of ON Semiconductor's product/patent coverage may be accessed at [www.onsemi.com/site/pdf/Patent-Marking.pdf](http://www.onsemi.com/site/pdf/Patent-Marking.pdf). ON Semiconductor reserves the right to make changes without further notice to any products herein. ON Semiconductor makes no warranty, representation or guarantee regarding the suitability of its products for any particular purpose, nor does ON Semiconductor assume any liability arising out of the application or use of any product or circuit, and specifically disclaims any and all liability, including without limitation special, consequential or incidental damages. Buyer is responsible for its products and applications using ON Semiconductor products, including compliance with all laws, regulations and safety requirements or standards, regardless of any support or applications information provided by ON Semiconductor. "Typical" parameters which may be provided in ON Semiconductor data sheets and/or specifications can and do vary in different applications and actual performance may vary over time. All operating parameters, including "Typicals" must be validated for each customer application by customer's technical experts. ON Semiconductor does not convey any license under its patent rights nor the rights of others. ON Semiconductor products are not designed, intended, or authorized for use as a critical component in life support systems or any FDA Class 3 medical devices or medical devices with a same or similar classification in a foreign jurisdiction or any devices intended for implantation in the human body. Should Buyer purchase or use ON Semiconductor products for any such unintended or unauthorized application, Buyer shall indemnify and hold ON Semiconductor and its officers, employees, subsidiaries, affiliates, and distributors harmless against all claims, costs, damages, and expenses, and reasonable attorney fees arising out of, directly or indirectly, any claim of personal injury or death associated with such unintended or unauthorized use, even if such claim alleges that ON Semiconductor was negligent regarding the design or manufacture of the part. ON Semiconductor is an Equal Opportunity/Affirmative Action Employer. This literature is subject to all applicable copyright laws and is not for resale in any manner.

# FSA3031 — Dual High-Speed USB2.0 with Mobile High-Definition Link (MHL™)

## Features

- Low On Capacitance: 4.6 pF/6.75 pF MHL/USB (Typical)
- Low Power Consumption: 30  $\mu$ A Maximum
- Supports MHL Rev. 2.0
- Passes 1080 p/60 fps (3 Gbps) MHL Data Eye Diagram Mask Compliance
- MHL Data Rate:  $\geq$ 4.7Gbps with Ideal Input Source
- Packaged in 12-Lead UMLP (1.8 x 1.8 mm)
- Over-Voltage Tolerance (OVT) on all USB Ports Up to 5.25 V without External Components

## Applications

- Cell Phones and Digital Cameras

## IMPORTANT NOTE:

For additional performance information, please contact [interface@fairchildsemi.com](mailto:interface@fairchildsemi.com).

## Description

The FSA3031 is a bi-directional, low-power, high-speed, 3:1, dual USB2.0 and MHL switch. Configured as a double-pole, triple-throw (DP3T) switch; it is optimized for switching between dual high- or full-speed USB and Mobile High-Definition Link sources (MHL™ Rev. 2.0 specification).

The FSA3031 contains special circuitry on the switch I/O pins, for applications where the  $V_{CC}$  supply is powered off ( $V_{CC}=0$ ), that allows the device to withstand an over-voltage condition. This switch is designed to minimize current consumption even when the control voltage applied to the control pins is lower than the supply voltage ( $V_{CC}$ ). This feature is especially valuable to mobile applications, such as cell phones; allowing direct interface with the general-purpose I/Os of the baseband processor. Other applications include switching and connector sharing in portable cell phones, digital cameras, and notebook computers.

## Ordering Information

Part Number	Top Mark	Operating Temperature Range	Package
FSA3031UMX	LX	-40 to +85°C	12-Lead, Ultrathin Molded Leadless Package (UMLP), 1.8 mm x 1.8 mm

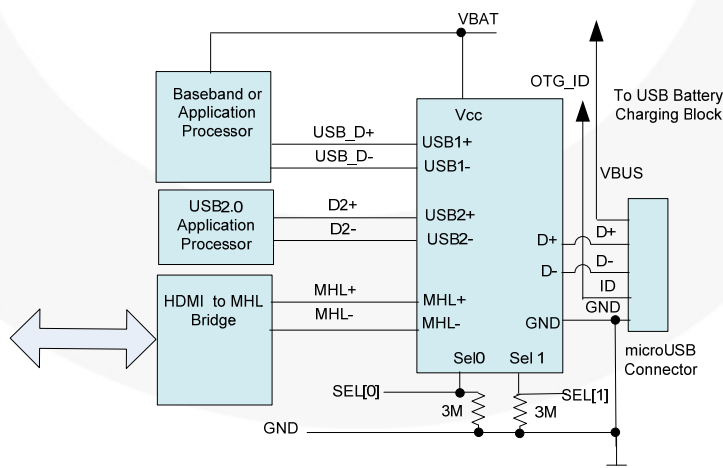


Figure 1. Typical Application

All trademarks are the property of their respective owners.

## Analog Symbol

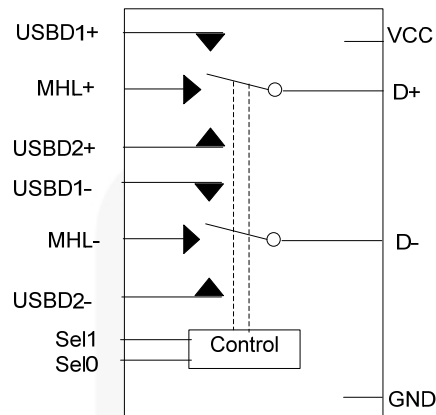


Figure 2. Analog Symbol

Table 1. Data Switch Select Truth Table

SEL1 <sup>(1)</sup>	SEL0 <sup>(1)</sup>	Function
0	0	D+/D- connected to USB1+/USB1-
0	1	D+/D- connected to USB2+/USB2-
1	0	D+/D- connected to MHL+/MHL
1	1	D+/D- high impedance

**Note:**

- Control inputs should never be left floating or unconnected. To guarantee default switch closure to the USB position, the SEL[0:1] pins should be tied to GND with a weak pull-down resistor (3 MΩ) to minimize static current draw.

## Pin Configuration

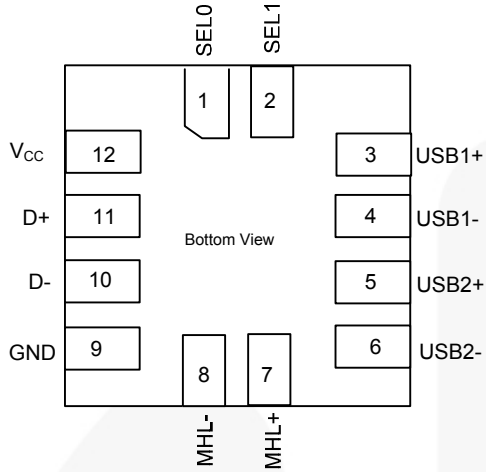


Figure 3. Pin Assignments

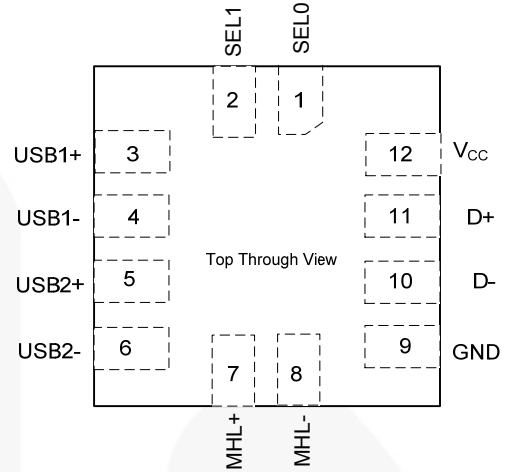


Figure 4. Top Through View

## Pin Definitions

Pin#	Name	Description
1	SEL0	Data Switch Select
2	SEL1	Data Switch Select
3	USB1+	USB Differential Data (Positive) – Source 1
4	USB1-	USB Differential Data (Negative) – Source 1
5	USB2+	USB Differential Data (Positive) – Source 2
6	USB2-	USB Differential Data (Negative) – Source 2
7	MHL+	MHL Differential Data (Positive)
8	MHL-	MHL Differential Data (Negative)
9	GND	Ground
10	D-	Data Switch Output (Positive)
11	D+	Data Switch Output (Negative)
12	V <sub>CC</sub>	Device Power from System

## Absolute Maximum Ratings

Stresses exceeding the absolute maximum ratings may damage the device. The device may not function or be operable above the recommended operating conditions and stressing the parts to these levels is not recommended. In addition, extended exposure to stresses above the recommended operating conditions may affect device reliability. The absolute maximum ratings are stress ratings only.

Symbol	Parameter		Min.	Max.	Unit
V <sub>CC</sub>	Supply Voltage		-0.5	6.0	V
V <sub>CNTRL</sub>	DC Input Voltage (SEL[1:0]) <sup>(2)</sup>		-0.5	V <sub>CC</sub>	V
V <sub>SW</sub> <sup>(3)</sup>	DC Switch I/O Voltage <sup>(2)</sup>	USB	-0.50	V <sub>CC</sub>	V
		MHL	-0.50	V <sub>CC</sub>	
I <sub>IK</sub>	DC Input Diode Current		-50		mA
I <sub>OUT</sub>	Switch DC Output Current (Continuous)	USB		60	mA
		MHL		60	mA
I <sub>OUTPEAK</sub>	Switch DC Output Peak Current (Pulsed at 1m Duration, <10% Duty Cycle)	USB		150	mA
		MHL		150	mA
T <sub>STG</sub>	Storage Temperature		-65	+150	°C
MSL	Moisture Sensitivity Level (JEDEC J-STD-020A)			1	
ESD	Human Body Model, JEDEC: JESD22-A114	All Pins		4	kV
	IEC 61000-4-2, Level 4, for D+/D- and V <sub>CC</sub> Pins <sup>(4)</sup>	Contact		8	
	IEC 61000-4-2, Level 4, for D+/D- and V <sub>CC</sub> Pins <sup>(4)</sup>	Air		15	
	Charged Device Model, JESD22-C101			2	

### Notes:

- The input and output negative ratings may be exceeded if the input and output diode current ratings are observed.
- V<sub>SW</sub> refers to analog data switch paths (USB1, MHL, and USB2).
- Testing performed in a system environment using TVS diodes.

## Recommended Operating Conditions

The Recommended Operating Conditions table defines the conditions for actual device operation. Recommended operating conditions are specified to ensure optimal performance to the datasheet specifications. Fairchild does not recommend exceeding them or designing to Absolute Maximum Ratings.

Symbol	Parameter	Min.	Max.	Unit
V <sub>CC</sub>	Supply Voltage	2.5	4.5	V
t <sub>RAMP(VCC)</sub>	Power Supply Slew Rate	100	1000	µs/V
θ <sub>JA</sub>	Thermal Resistance		230	C°/W
V <sub>CNTRL</sub>	Control Input Voltage (SEL[1:0]) <sup>(5)</sup>	0	4.5	V
V <sub>SW(USB)</sub>	Switch I/O Voltage (USB1/USB2 Switch Paths)	-0.5	3.6	V
V <sub>SW(MHL)</sub>	Switch I/O Voltage (MHL Switch Path)	1.65	3.45	V
T <sub>A</sub>	Operating Temperature	-40	+85	°C

### Note:

- The control inputs must be held HIGH or LOW; they must not float.

## DC Electrical Characteristics

All typical values are at  $T_A=25^\circ\text{C}$  unless otherwise specified.

Symbol	Parameter	Condition	$V_{CC}$ (V)	$T_A=-40^\circ\text{C}$ to $+85^\circ\text{C}$			Unit
				Min.	Typ.	Max.	
$V_{IK}$	Clamp Diode Voltage	$I_{IN}=-18\text{ mA}$	2.5			-1.2	V
$V_{IH}$	Control Input Voltage, High SEL[1:0]		2.5 to 4.5	1.0			V
$V_{IL}$	Control Input Voltage, Low SEL[1:0]		2.5 to 4.5			0.5	V
$I_{IN}$	Control Input Leakage, SEL[1:0]	$V_{SW}=0$ to 3.6 V, $V_{CNTRL}=0$ to $V_{CC}$	4.5	-0.5		0.5	$\mu\text{A}$
$I_{OZ(MHL)}$	Off-State Leakage for Open MHL Data Paths	$V_{SW}=1.65 \leq \text{MHL} \leq 3.45\text{ V}$ , SEL[1:0]= $V_{CC}$	4.5	-0.5		0.5	$\mu\text{A}$
$I_{OZ(USB)}$	Off-State Leakage for Open USB Data Paths	$V_{SW}=0 \leq \text{USB} \leq 3.6\text{ V}$ , SEL[1:0]= $V_{CC}$	4.5	-0.5		0.5	$\mu\text{A}$
$I_{CL(MHL)}$	On-State Leakage for Closed MHL Data Paths <sup>(6)</sup>	$V_{SW}=1.65 \leq \text{MHL} \leq 3.45\text{ V}$ , SEL0=GND, SEL1= $V_{CC}$ , Other Side of Switch Float	4.5	-0.5		0.5	$\mu\text{A}$
$I_{CL(USB)}$	On-State Leakage for Closed USB Data Paths <sup>(6)</sup>	$V_{SW}=0 \leq \text{USB} \leq 3.6\text{ V}$ , SEL[1:0]=GND or SEL1=GND, SEL0= $V_{CC}$ , Other Side of Switch Float	4.5	-0.5		0.5	$\mu\text{A}$
$I_{OFF}$	Power-Off Leakage Current (All I/O Ports)	$V_{SW}=0\text{ V}$ or 3.6 V, Figure 5	0	-0.5		0.5	$\mu\text{A}$
$R_{ON(USB)}$	HS Switch On Resistance (USB to D Path)	$V_{SW}=0.4\text{ V}$ , $I_{ON}=-8\text{ mA}$ , SEL[1:0]=GND or SEL1=GND, SEL0= $V_{CC}$ , Figure 6	2.5		3.9	6.5	$\Omega$
$R_{ON(MHL)}$	HS Switch On Resistance (MHL to D Path)	$V_{SW}=V_{CC}-1050\text{ mV}$ , SEL0=GND, SEL1= $V_{CC}$ , $I_{ON}=-8\text{ mA}$ , Figure 6	2.5		5		$\Omega$
$\Delta R_{ON(MHL)}$	Difference in $R_{ON}$ Between MHL Positive-Negative	$V_{SW}=V_{CC}-1050\text{ mV}$ , SEL0=GND, SEL1= $V_{CC}$ , $I_{ON}=-8\text{ mA}$ , Figure 6,	2.5		0.03		$\Omega$
$\Delta R_{ON(USB)}$	Difference in $R_{ON}$ Between USB Positive-Negative	$V_{SW}=0.4\text{ V}$ , $I_{ON}=-8\text{ mA}$ , SEL[1:0]=GND or SEL1=GND, SEL0= $V_{CC}$ Figure 6	2.5		0.22		$\Omega$
$R_{ONF(MHL)}$	Flatness for $R_{ON}$ MHL Path	$V_{SW}=1.65$ to 3.45 V, SEL0=GND, SEL1= $V_{CC}$ , $I_{ON}=-8\text{ mA}$ , Figure 6	2.5		1		$\Omega$
$I_{CC}$	Quiescent Current	$V_{CNTRL}=0$ or 4.5 V, $I_{OUT}=0$	4.5			30	$\mu\text{A}$
$I_{CCT}$	Delta Increase in Quiescent Current per Control Pin	$V_{CNTRL}=1.65\text{ V}$ , $I_{OUT}=0$	4.5			18	$\mu\text{A}$
		$V_{CNTRL}=2.5\text{ V}$ , $I_{OUT}=0$	4.5			10	

**Note:**

6. For this test, the data switch is closed with the respective switch pin floating.

## AC Electrical Characteristics

All typical values are for  $V_{CC}=3.3\text{ V}$  and  $T_A=25^\circ\text{C}$  unless otherwise specified.

Symbol	Parameter	Condition	$V_{CC}$ (V)	$T_A=-40^\circ\text{C}$ to $+85^\circ\text{C}$			Unit
				Min.	Typ.	Max.	
$t_{ONUSB}$	USB Turn-On Time, SEL[1:0] to Output	$R_L=50\ \Omega$ , $C_L=5\ \text{pF}$ , $V_{SW(USB)}=0.8\ \text{V}$ , $V_{SW(MHL)}=3.3\ \text{V}$ , Figure 7, Figure 8	2.5 to 3.6		445	600	ns
$t_{OFFUSB}$	USB Turn-Off Time, SEL[1:0] to Output	$R_L=50\ \Omega$ , $C_L=5\ \text{pF}$ , $V_{SW(USB)}=0.8\ \text{V}$ , $V_{SW(MHL)}=3.3\ \text{V}$ , Figure 7, Figure 8	2.5 to 3.6		445	600	ns
$t_{ONMHL}$	MHL Turn-On Time, SEL[1:0] to Output	$R_L=50\ \Omega$ , $C_L=5\ \text{pF}$ , $V_{SW(USB)}=0.8\ \text{V}$ , $V_{SW(MHL)}=3.3\ \text{V}$ , Figure 7, Figure 8	2.5 to 3.6		445	600	ns
$t_{OFFMHL}$	MHL Turn-Off Time, SEL[1:0] to Output	$R_L=50\ \Omega$ , $C_L=5\ \text{pF}$ , $V_{SW(USB)}=0.8\ \text{V}$ , $V_{SW(MHL)}=3.3\ \text{V}$ , Figure 7, Figure 8	2.5 to 3.6		445	600	ns
$t_{PD}$	Propagation Delay <sup>(7)</sup>	$C_L=5\ \text{pF}$ , $R_L=50\ \Omega$ , Figure 7, Figure 9	2.5 to 3.6		0.25		ns
$t_{BBM}$	Break-Before-Make Time <sup>(7)</sup>	$R_L=50\ \Omega$ , $C_L=5\ \text{pF}$ , $V_{ID}=V_{MHL}=3.3\ \text{V}$ , $V_{USB}=0.8\ \text{V}$ , Figure 11	2.5 to 3.6		85		ns
$O_{IRR(MHL)}$	Off Isolation <sup>(7)</sup>	$V_S=1\ \text{V}_{pk-pk}$ , $R_L=50\ \Omega$ , $f=240\ \text{MHz}$ , Figure 12	2.5 to 3.6		-41		dB
$O_{IRR(USB)}$		$V_S=400\ \text{mV}_{pk-pk}$ , $R_L=50\ \Omega$ , $f=240\ \text{MHz}$ , Figure 12	2.5 to 3.6		-36		dB
$Xtalk_{MHL}$	Non-Adjacent Channel <sup>(7)</sup> Crosstalk	$V_S=1\ \text{V}_{pk-pk}$ , $R_L=50\ \Omega$ , $f=240\ \text{MHz}$ , Figure 13	2.5 to 3.6		-41		dB
$Xtalk_{USB}$		$V_S=400\ \text{mV}_{pk-pk}$ , $R_L=50\ \Omega$ , $f=240\ \text{MHz}$ , Figure 13	2.5 to 3.6		-37		dB
BW	Differential -3db Bandwidth <sup>(7)</sup>	$V_{IN}=1\ \text{V}_{pk-pk}$ , MHL Path, Common Mode Voltage = $V_{CC} - 1.1\ \text{V}$ , $R_L=50\ \Omega$ , $C_L=0\ \text{pF}$ , Figure 14	2.5 to 3.6		1.87		GHz
		$V_{IN}=400\ \text{mV}_{pk-pk}$ , USB Path, Common Mode Voltage = $0.2\ \text{V}$ , $R_L=50\ \Omega$ , $C_L=0\ \text{pF}$ , Figure 14			1.47		

**Note:**

7. Guaranteed by characterization.

## USB High-Speed AC Electrical Characteristics

Typical values are at  $T_A = -40^\circ\text{C}$  to  $+85^\circ\text{C}$ .

Symbol	Parameter	Condition	$V_{CC}(V)$	Typ.	Unit
$t_{SK(P)}$	Skew of Opposite Transitions of the Same Output <sup>(8)</sup>	$C_L=5\text{ pF}$ , $R_L=50\ \Omega$ , Figure 9	3.0 to 3.6	7	ps
$t_J$	Total Jitter <sup>(8)</sup>	$R_L=50\ \Omega$ , $C_L=5\text{ pF}$ , $t_R=t_F=500\text{ ps}$ (10-90%) at 480 Mbps, PN7	3.0 to 3.6	18	ps

**Note:**

8. Guaranteed by characterization.

## MHL AC Electrical Characteristics

Typical values are at  $T_A = -40^\circ\text{C}$  to  $+85^\circ\text{C}$ .

Symbol	Parameter	Condition	$V_{CC}(V)$	Typ.	Unit
$t_{SK(P)}$	Skew of Opposite Transitions of the Same Output <sup>(9)</sup>	$R_{PU}=50\ \Omega$ to $V_{CC}$ , $C_L=0\text{ pF}$	3.0 to 3.6	3	ps
$t_J$	Total Jitter <sup>(9)</sup>	$f=2.25\text{ Gbps}$ , PN7, $R_{PU}=50\ \Omega$ to $V_{CC}$ , $C_L=0\text{ pF}$	3.0 to 3.6	23	ps

**Note:**

9. Guaranteed by characterization.

## Capacitance

Typical values are at  $T_A = -40^\circ\text{C}$  to  $+85^\circ\text{C}$ .

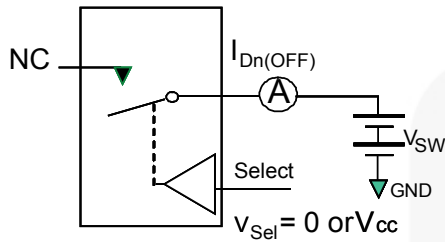
Symbol	Parameter	Condition	Typ.	Max.	Unit
$C_{IN}$	Control Pin Input Capacitance <sup>(10)</sup>	$V_{CC}=0\text{ V}$ , $f=1\text{ MHz}$	2.5		pF
$C_{ON(USB)}$	USB Path On Capacitance <sup>(10)</sup>	$V_{CC}=3.3\text{ V}$ , $f=240\text{ MHz}$ , Figure 15	6.75		pF
$C_{OFF(USB)}$	USB Path Off Capacitance <sup>(10)</sup>	$V_{CC}=3.3\text{ V}$ , $f=240\text{ MHz}$ , Figure 13	2.5		pF
$C_{ON(MHL)}$	MHL Path On Capacitance <sup>(10)</sup>	$V_{CC}=3.3\text{ V}$ , $f=240\text{ MHz}$ , Figure 15	4.6		pF
$C_{OFF(MHL)}$	MHL Path Off Capacitance <sup>(10)</sup>	$V_{CC}=3.3\text{ V}$ , $f=240\text{ MHz}$ , Figure 13	2.5		pF

**Note:**

10. Guaranteed by characterization.

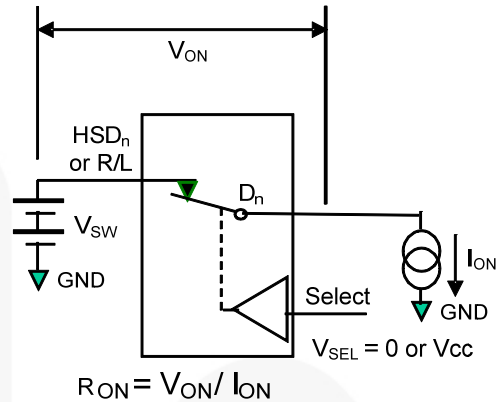


### Test Diagrams

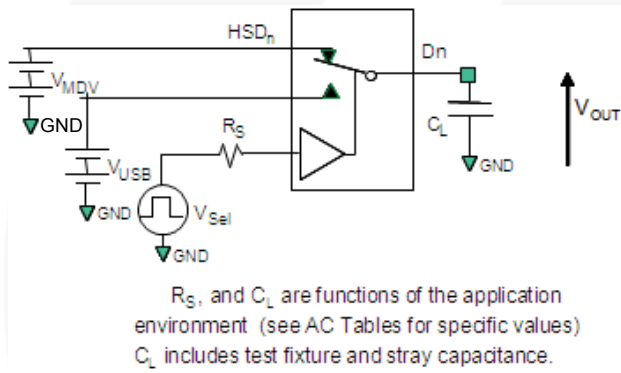


\*\*Each switch port is tested separately

**Figure 5. Off Leakage**

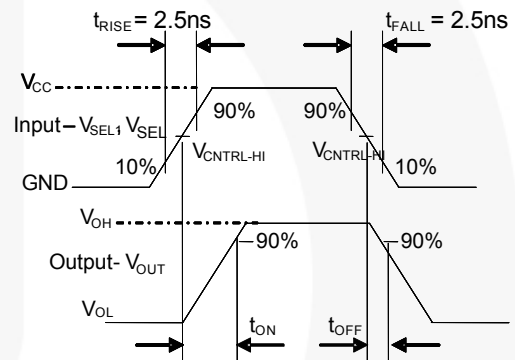


**Figure 6. On Resistance**

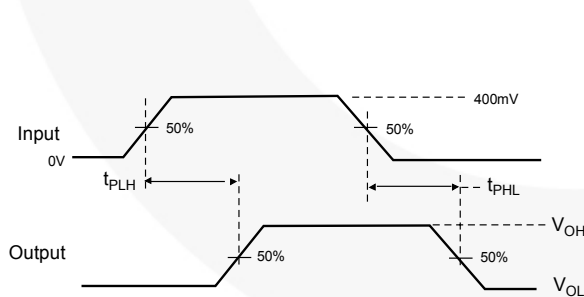


$R_S$  and  $C_L$  are functions of the application environment (see AC Tables for specific values)  
 $C_L$  includes test fixture and stray capacitance.

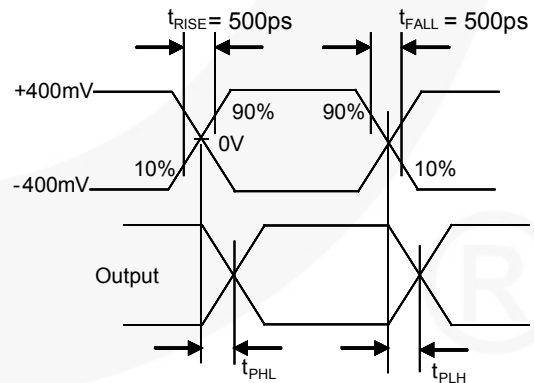
**Figure 7. AC Test Circuit Load**



**Figure 8. Turn-On / Turn-Off Waveforms**

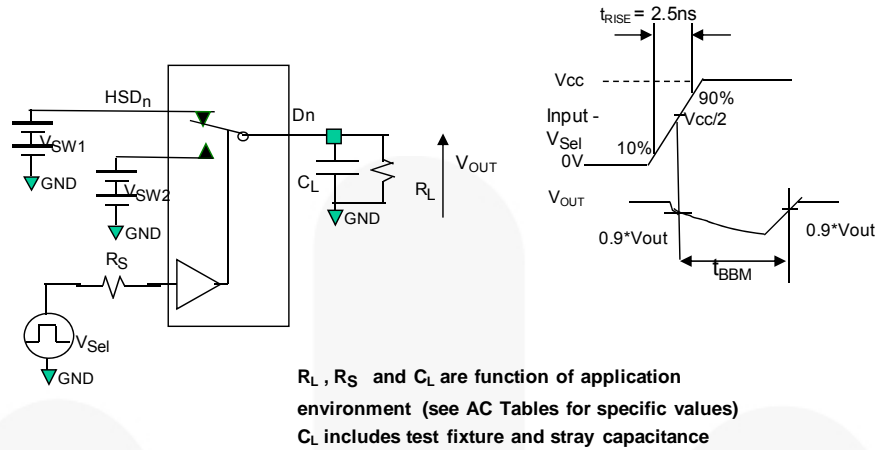


**Figure 9. Propagation Delay ( $t_{rF} = 500ps$ )**

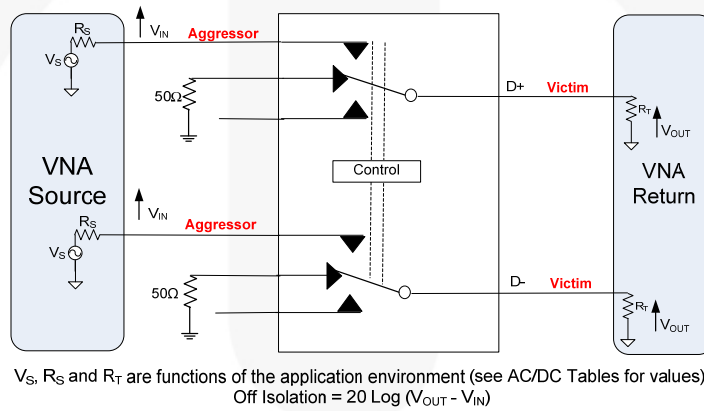


**Figure 10. Intra-Pair Skew Test  $t_{SK(P)}$**

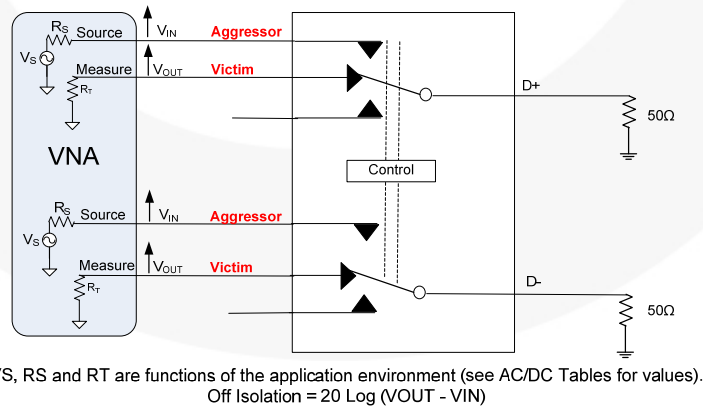
## Test Diagrams



**Figure 11. Break-Before-Make Interval Timing**

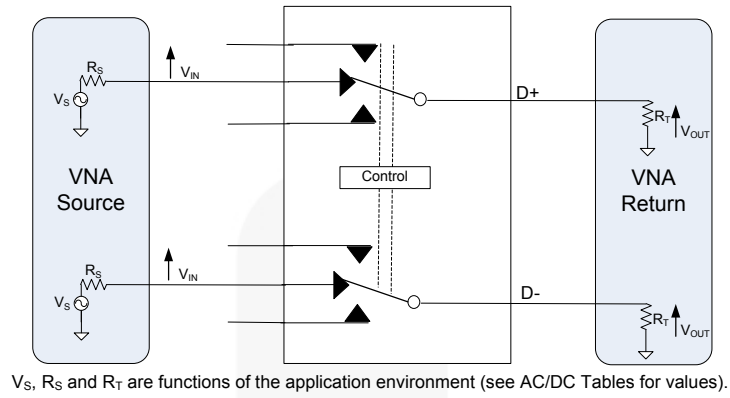


**Figure 12. Channel Off Isolation (SDD21)**

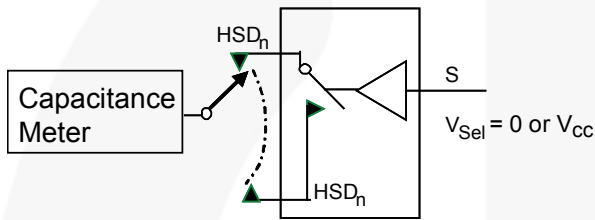


**Figure 13. Non-Adjacent Channel-to-Channel Crosstalk (SDD21)**

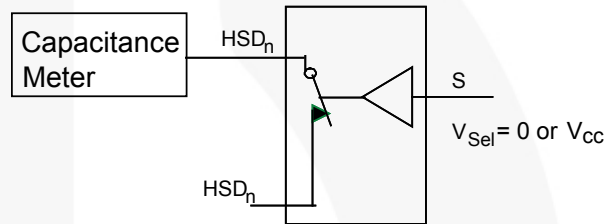
**Test Diagrams**



**Figure 14. Insertion Loss (SDD21)**



**Figure 15. Channel Off Capacitance**



**Figure 16. Channel On Capacitance**

**Note:**

11. HSD<sub>n</sub> refers to the high-speed data USB or MHL paths.

## Functional Description

### Insertion Loss

One of the key advantages of using the FSA3031 in mobile digital video applications is the small amount of insertion loss experienced by the received signal as it passes through the switch.

This results in minimal degradation of the received eye. One of the ways to measure the quality of the high data rate channels is using balanced ports and four-port differential S-parameter analysis, particularly SDD21.

Bandwidth is measured using the S-parameter SDD21 methodology. Figure 17 exhibits the 1.87 GHz (-3 db) BW of the MHL path, while Figure 18 exhibits the 1.47 GHz (-3 db) BW of the USB paths.

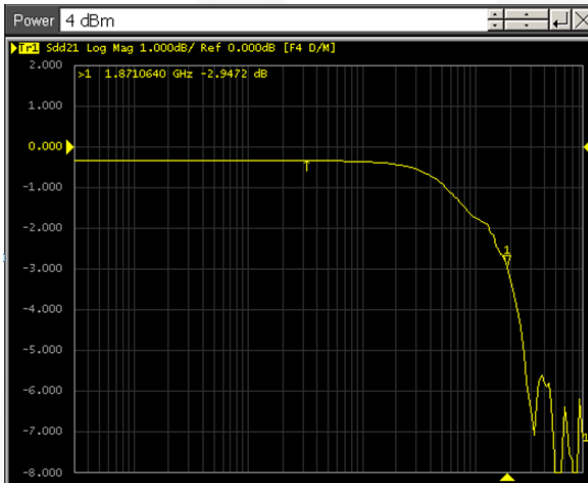


Figure 17. MHL Path SDD21 Insertion Loss Curve

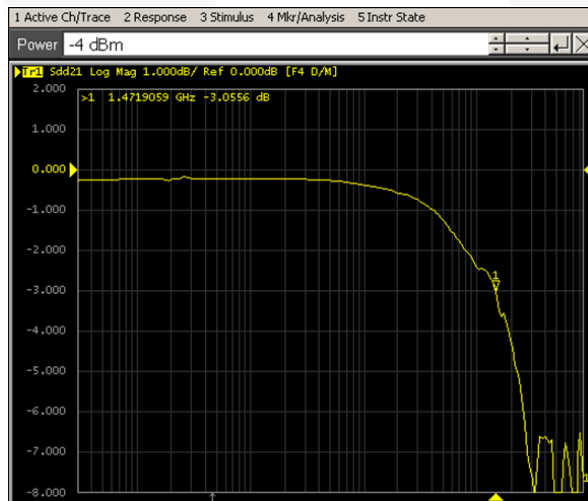


Figure 18. USB Path SDD21 Insertion Loss Curve

### Typical Application

Figure 19 shows utilizing the VBAT connection from the micro-USB connector. The 3M resistors are used to ensure, for manufacturing test via the micro-USB connector, that the FSA3031 configures for connectivity to the baseband or application processor.

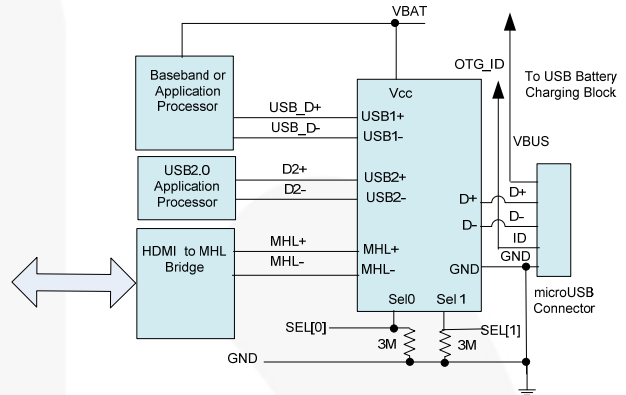
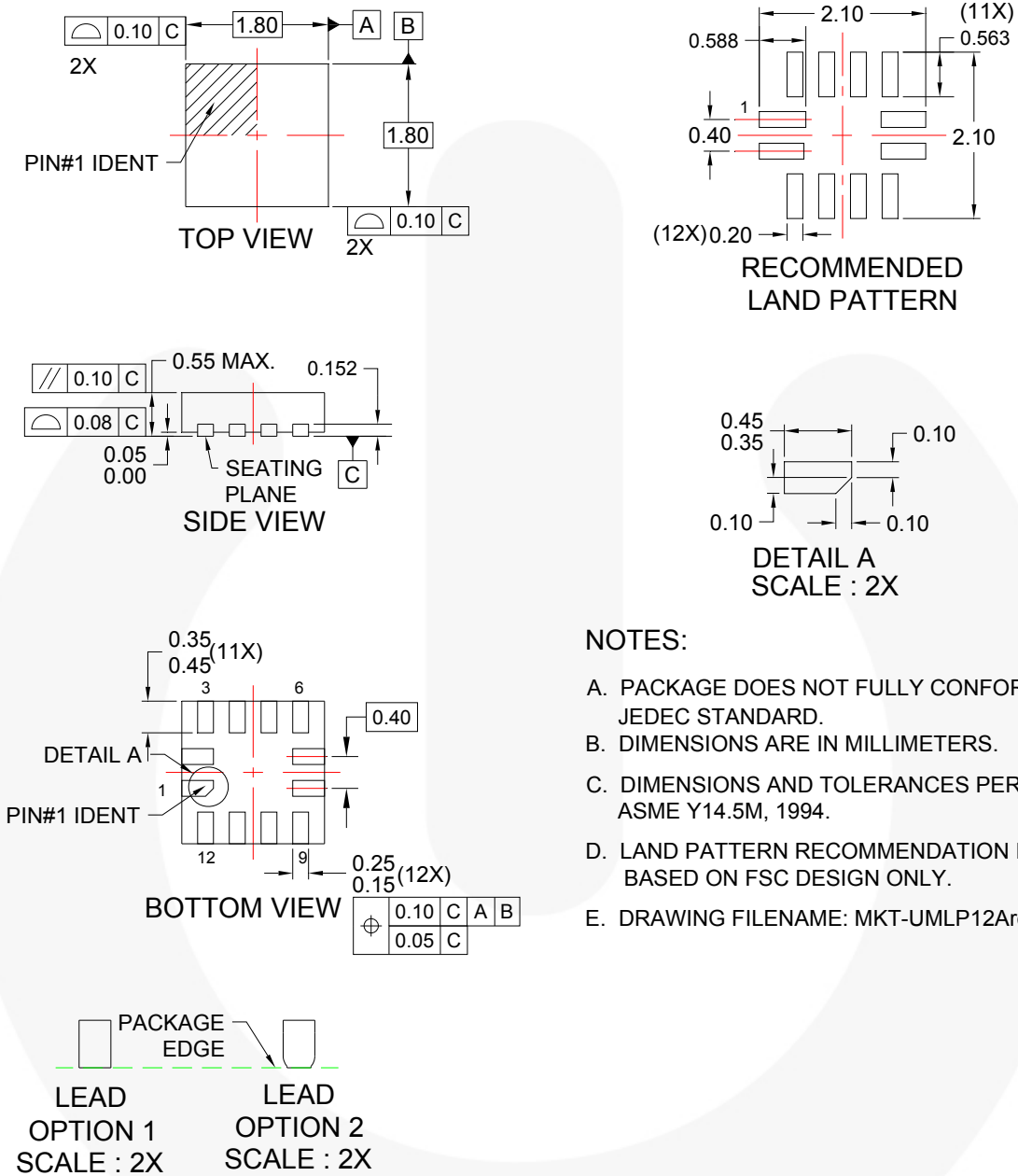


Figure 19. Typical Application

## Physical Dimensions



### NOTES:

- PACKAGE DOES NOT FULLY CONFORM TO JEDEC STANDARD.
- DIMENSIONS ARE IN MILLIMETERS.
- DIMENSIONS AND TOLERANCES PER ASME Y14.5M, 1994.
- LAND PATTERN RECOMMENDATION IS BASED ON FSC DESIGN ONLY.
- DRAWING FILENAME: MKT-UMLP12Arev4.

**Figure 20. 12-Lead, Ultrathin Molded Leadless Package (UMLP)**






Package drawings are provided as a service to customers considering Fairchild components. Drawings may change in any manner without notice. Please note the revision and/or date on the drawing and contact a Fairchild Semiconductor representative to verify or obtain the most recent revision. Package specifications do not expand the terms of Fairchild's worldwide terms and conditions, specifically the warranty therein, which covers Fairchild products.

Always visit Fairchild Semiconductor's online packaging area for the most recent package drawings:  
<http://www.fairchildsemi.com/packaging/>.



**TRADEMARKS**

The following includes registered and unregistered trademarks and service marks, owned by Fairchild Semiconductor and/or its global subsidiaries, and is not intended to be an exhaustive list of all such trademarks.

- |                                                                                              |                                                                                     |                                                                                                    |                                                                                       |
|----------------------------------------------------------------------------------------------|-------------------------------------------------------------------------------------|----------------------------------------------------------------------------------------------------|---------------------------------------------------------------------------------------|
| 2Cool™                                                                                       | F-PFS™                                                                              | PowerTrench®                                                                                       | The Power Franchise®                                                                  |
| AccuPower™                                                                                   | FRFET®                                                                              | PowerXS™                                                                                           | <b>the power franchise</b>                                                            |
| AX-CAP™*                                                                                     | Global Power Resource™                                                              | Programmable Active Droop™                                                                         | TinyBoost™                                                                            |
| BitSiC™                                                                                      | GreenBridge™                                                                        | QFET®                                                                                              | TinyBuck™                                                                             |
| Build it Now™                                                                                | Green FPS™                                                                          | QS™                                                                                                | TinyCalc™                                                                             |
| CorePLUS™                                                                                    | Green FPS™ e-Series™                                                                | Quiet Series™                                                                                      | TinyLogic®                                                                            |
| CorePOWER™                                                                                   | Gmax™                                                                               | RapidConfigure™                                                                                    | TINYOPTO™                                                                             |
| CROSSVOLT™                                                                                   | GTO™                                                                                |  ™                | TinyPower™                                                                            |
| CTL™                                                                                         | IntelliMAX™                                                                         | Saving our world, 1mW/W/kW at a time™                                                              | TinyPWM™                                                                              |
| Current Transfer Logic™                                                                      | ISOPLANAR™                                                                          | SignalWise™                                                                                        | TinyWire™                                                                             |
| DEUXPEED®                                                                                    | Making Small Speakers Sound Louder and Better™                                      | SmartMax™                                                                                          | TranSiC™                                                                              |
| Dual Cool™                                                                                   | MegaBuck™                                                                           | SMART START™                                                                                       | TriFault Detect™                                                                      |
| EcoSPARK®                                                                                    | MICROCOUPLER™                                                                       | Solutions for Your Success™                                                                        | TRUECURRENT®*                                                                         |
| EfficientMax™                                                                                | MicroFET™                                                                           | SPM®                                                                                               | µSerDes™                                                                              |
| ESBC™                                                                                        | MicroPak™                                                                           | STEALTH™                                                                                           |  ™ |
|  Fairchild® | MicroPak2™                                                                          | SuperFET®                                                                                          | UHC®                                                                                  |
| Fairchild Semiconductor®                                                                     | MillerDrive™                                                                        | SuperSOT™-3                                                                                        | Ultra FRFET™                                                                          |
| FACT Quiet Series™                                                                           | MotionMax™                                                                          | SuperSOT™-6                                                                                        | UniFET™                                                                               |
| FACT®                                                                                        | mWSaver™                                                                            | SuperSOT™-8                                                                                        | VCX™                                                                                  |
| FAST®                                                                                        | OptoHit™                                                                            | SupreMOS®                                                                                          | VisualMax™                                                                            |
| FastvCore™                                                                                   | OPTOLOGIC®                                                                          | SyncFET™                                                                                           | VoltagePlus™                                                                          |
| FETBench™                                                                                    | OPTOPLANAR®                                                                         | Sync-Lock™                                                                                         | XS™                                                                                   |
| FlashWriter®*                                                                                |  ™ |  SYSTEM GENERAL®* |                                                                                       |
| FPS™                                                                                         |                                                                                     |                                                                                                    |                                                                                       |

\* Trademarks of System General Corporation, used under license by Fairchild Semiconductor.

**DISCLAIMER**

FAIRCHILD SEMICONDUCTOR RESERVES THE RIGHT TO MAKE CHANGES WITHOUT FURTHER NOTICE TO ANY PRODUCTS HEREIN TO IMPROVE RELIABILITY, FUNCTION, OR DESIGN. FAIRCHILD DOES NOT ASSUME ANY LIABILITY ARISING OUT OF THE APPLICATION OR USE OF ANY PRODUCT OR CIRCUIT DESCRIBED HEREIN; NEITHER DOES IT CONVEY ANY LICENSE UNDER ITS PATENT RIGHTS, NOR THE RIGHTS OF OTHERS. THESE SPECIFICATIONS DO NOT EXPAND THE TERMS OF FAIRCHILD'S WORLDWIDE TERMS AND CONDITIONS, SPECIFICALLY THE WARRANTY THEREIN, WHICH COVERS THESE PRODUCTS.

**LIFE SUPPORT POLICY**

FAIRCHILD'S PRODUCTS ARE NOT AUTHORIZED FOR USE AS CRITICAL COMPONENTS IN LIFE SUPPORT DEVICES OR SYSTEMS WITHOUT THE EXPRESS WRITTEN APPROVAL OF FAIRCHILD SEMICONDUCTOR CORPORATION.

As used herein:

1. Life support devices or systems are devices or systems which, (a) are intended for surgical implant into the body or (b) support or sustain life, and (c) whose failure to perform when properly used in accordance with instructions for use provided in the labeling, can be reasonably expected to result in a significant injury of the user.
2. A critical component in any component of a life support, device, or system whose failure to perform can be reasonably expected to cause the failure of the life support device or system, or to affect its safety or effectiveness.

**ANTI-COUNTERFEITING POLICY**

Fairchild Semiconductor Corporation's Anti-Counterfeiting Policy. Fairchild's Anti-Counterfeiting Policy is also stated on our external website, [www.fairchildsemi.com](http://www.fairchildsemi.com), under Sales Support.

Counterfeiting of semiconductor parts is a growing problem in the industry. All manufacturers of semiconductor products are experiencing counterfeiting of their parts. Customers who inadvertently purchase counterfeit parts experience many problems such as loss of brand reputation, substandard performance, failed applications, and increased cost of production and manufacturing delays. Fairchild is taking strong measures to protect ourselves and our customers from the proliferation of counterfeit parts. Fairchild strongly encourages customers to purchase Fairchild parts either directly from Fairchild or from Authorized Fairchild Distributors who are listed by country on our web page cited above. Products customers buy either from Fairchild directly or from Authorized Fairchild Distributors are genuine parts, have full traceability, meet Fairchild's quality standards for handling and storage and provide access to Fairchild's full range of up-to-date technical and product information. Fairchild and our Authorized Distributors will stand behind all warranties and will appropriately address any warranty issues that may arise. Fairchild will not provide any warranty coverage or other assistance for parts bought from Unauthorized Sources. Fairchild is committed to combat this global problem and encourage our customers to do their part in stopping this practice by buying direct or from authorized distributors.

**PRODUCT STATUS DEFINITIONS**

**Definition of Terms**

Datasheet Identification	Product Status	Definition
Advance Information	Formative / In Design	Datasheet contains the design specifications for product development. Specifications may change in any manner without notice.
Preliminary	First Production	Datasheet contains preliminary data; supplementary data will be published at a later date. Fairchild Semiconductor reserves the right to make changes at any time without notice to improve design.
No Identification Needed	Full Production	Datasheet contains final specifications. Fairchild Semiconductor reserves the right to make changes at any time without notice to improve the design.
Obsolete	Not In Production	Datasheet contains specifications on a product that is discontinued by Fairchild Semiconductor. The datasheet is for reference information only.

Rev. I62

ON Semiconductor and  are trademarks of Semiconductor Components Industries, LLC dba ON Semiconductor or its subsidiaries in the United States and/or other countries. ON Semiconductor owns the rights to a number of patents, trademarks, copyrights, trade secrets, and other intellectual property. A listing of ON Semiconductor's product/patent coverage may be accessed at [www.onsemi.com/site/pdf/Patent-Marking.pdf](http://www.onsemi.com/site/pdf/Patent-Marking.pdf). ON Semiconductor reserves the right to make changes without further notice to any products herein. ON Semiconductor makes no warranty, representation or guarantee regarding the suitability of its products for any particular purpose, nor does ON Semiconductor assume any liability arising out of the application or use of any product or circuit, and specifically disclaims any and all liability, including without limitation special, consequential or incidental damages. Buyer is responsible for its products and applications using ON Semiconductor products, including compliance with all laws, regulations and safety requirements or standards, regardless of any support or applications information provided by ON Semiconductor. "Typical" parameters which may be provided in ON Semiconductor data sheets and/or specifications can and do vary in different applications and actual performance may vary over time. All operating parameters, including "Typicals" must be validated for each customer application by customer's technical experts. ON Semiconductor does not convey any license under its patent rights nor the rights of others. ON Semiconductor products are not designed, intended, or authorized for use as a critical component in life support systems or any FDA Class 3 medical devices or medical devices with a same or similar classification in a foreign jurisdiction or any devices intended for implantation in the human body. Should Buyer purchase or use ON Semiconductor products for any such unintended or unauthorized application, Buyer shall indemnify and hold ON Semiconductor and its officers, employees, subsidiaries, affiliates, and distributors harmless against all claims, costs, damages, and expenses, and reasonable attorney fees arising out of, directly or indirectly, any claim of personal injury or death associated with such unintended or unauthorized use, even if such claim alleges that ON Semiconductor was negligent regarding the design or manufacture of the part. ON Semiconductor is an Equal Opportunity/Affirmative Action Employer. This literature is subject to all applicable copyright laws and is not for resale in any manner.

## PUBLICATION ORDERING INFORMATION

### LITERATURE FULFILLMENT:

Literature Distribution Center for ON Semiconductor  
19521 E. 32nd Pkwy, Aurora, Colorado 80011 USA  
**Phone:** 303-675-2175 or 800-344-3860 Toll Free USA/Canada  
**Fax:** 303-675-2176 or 800-344-3867 Toll Free USA/Canada  
**Email:** [orderlit@onsemi.com](mailto:orderlit@onsemi.com)

**N. American Technical Support:** 800-282-9855 Toll Free  
USA/Canada  
**Europe, Middle East and Africa Technical Support:**  
Phone: 421 33 790 2910  
**Japan Customer Focus Center**  
Phone: 81-3-5817-1050

**ON Semiconductor Website:** [www.onsemi.com](http://www.onsemi.com)  
**Order Literature:** <http://www.onsemi.com/orderlit>  
For additional information, please contact your local  
Sales Representative

# Mouser Electronics

Authorized Distributor

Click to View Pricing, Inventory, Delivery & Lifecycle Information:

[ON Semiconductor:](#)

[FSA3031UMX](#)





Компания «ЭлектроПласт» предлагает заключение долгосрочных отношений при поставках импортных электронных компонентов на взаимовыгодных условиях!

Наши преимущества:

- Оперативные поставки широкого спектра электронных компонентов отечественного и импортного производства напрямую от производителей и с крупнейших мировых складов;
- Поставка более 17-ти миллионов наименований электронных компонентов;
- Поставка сложных, дефицитных, либо снятых с производства позиций;
- Оперативные сроки поставки под заказ (от 5 рабочих дней);
- Экспресс доставка в любую точку России;
- Техническая поддержка проекта, помощь в подборе аналогов, поставка прототипов;
- Система менеджмента качества сертифицирована по Международному стандарту ISO 9001;
- Лицензия ФСБ на осуществление работ с использованием сведений, составляющих государственную тайну;
- Поставка специализированных компонентов (Xilinx, Altera, Analog Devices, Intersil, Interpoint, Microsemi, Aeroflex, Peregrine, Syfer, Eurofarad, Texas Instrument, Miteq, Cobham, E2V, MA-COM, Hittite, Mini-Circuits, General Dynamics и др.);

Помимо этого, одним из направлений компании «ЭлектроПласт» является направление «Источники питания». Мы предлагаем Вам помощь Конструкторского отдела:

- Подбор оптимального решения, техническое обоснование при выборе компонента;
- Подбор аналогов;
- Консультации по применению компонента;
- Поставка образцов и прототипов;
- Техническая поддержка проекта;
- Защита от снятия компонента с производства.



#### Как с нами связаться

**Телефон:** 8 (812) 309 58 32 (многоканальный)

**Факс:** 8 (812) 320-02-42

**Электронная почта:** [org@eplast1.ru](mailto:org@eplast1.ru)

**Адрес:** 198099, г. Санкт-Петербург, ул. Калинина, дом 2, корпус 4, литера А.