

# SX Family FPGAs



## Leading Edge Performance

- 320 MHz Internal Performance
- 3.7 ns Clock-to-Out (Pin-to-Pin)
- 0.1 ns Input Setup
- 0.25 ns Clock Skew

## Specifications

- 12,000 to 48,000 System Gates
- Up to 249 User-Programmable I/O Pins
- Up to 1,080 Flip-Flops
- 0.35  $\mu$  CMOS

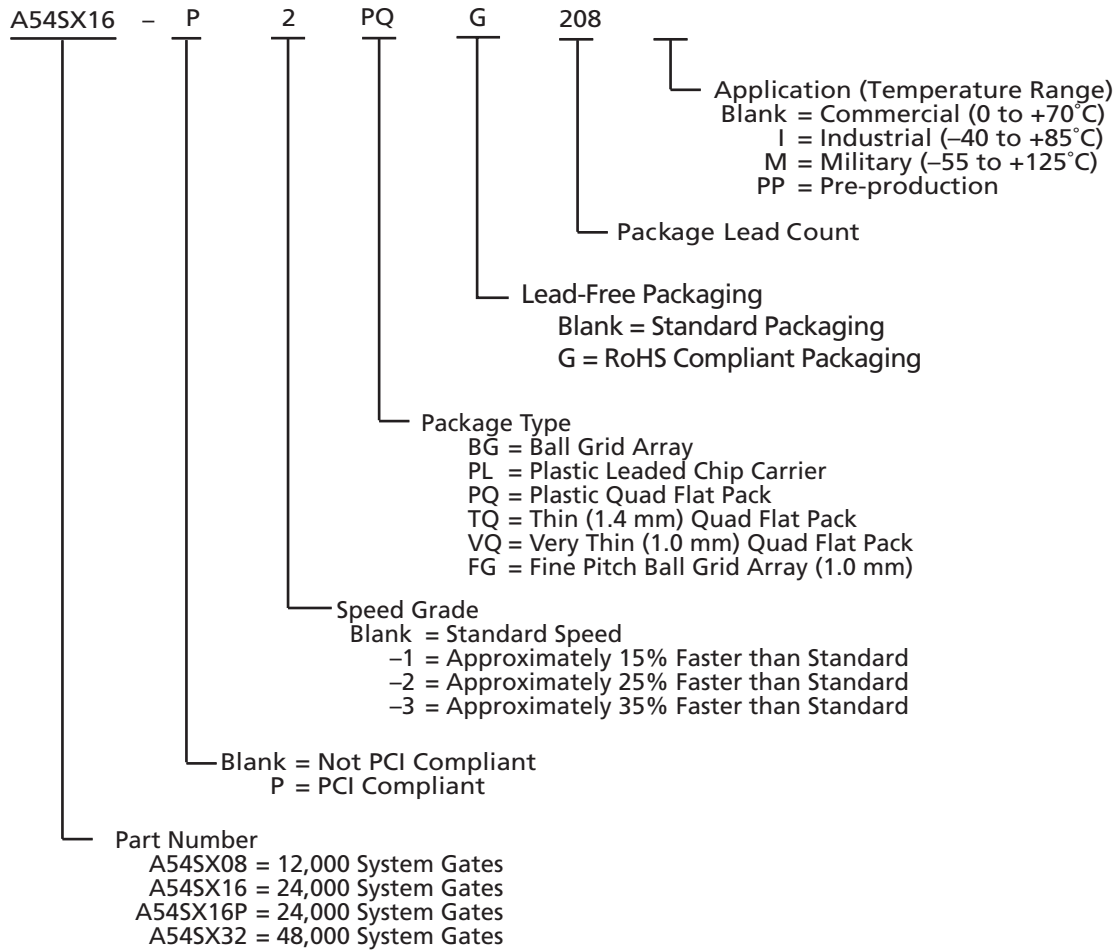
## Features

- 66 MHz PCI
- CPLD and FPGA Integration
- Single-Chip Solution
- 100% Resource Utilization with 100% Pin Locking
- 3.3 V and 5.0 V Operation with 5.0 V Input Tolerance
- Very Low Power Consumption
- Deterministic, User-Controllable Timing
- Unique In-System Diagnostic and Debug Capability with Silicon Explorer II
- Boundary Scan Testing in Compliance with IEEE Standard 1149.1 (JTAG)
- Secure Programming Technology Prevents Reverse Engineering and Design Theft

## SX Product Profile

Device	A54SX08	A54SX16	A54SX16P	A54SX32
<b>Capacity</b>				
Typical Gates	8,000	16,000	16,000	32,000
System Gates	12,000	24,000	24,000	48,000
<b>Logic Modules</b>	768	1,452	1,452	2,880
Combinatorial Cells	512	924	924	1,800
<b>Register Cells (Dedicated Flip-Flops)</b>	256	528	528	1,080
<b>Maximum User I/Os</b>	130	175	175	249
<b>Clocks</b>	3	3	3	3
<b>JTAG</b>	Yes	Yes	Yes	Yes
<b>PCI</b>	–	–	Yes	–
<b>Clock-to-Out</b>	3.7 ns	3.9 ns	4.4 ns	4.6 ns
<b>Input Setup (external)</b>	0.8 ns	0.5 ns	0.5 ns	0.1 ns
<b>Speed Grades</b>	Std, –1, –2, –3	Std, –1, –2, –3	Std, –1, –2, –3	Std, –1, –2, –3
<b>Temperature Grades</b>	C, I, M	C, I, M	C, I, M	C, I, M
<b>Packages (by pin count)</b>				
PLCC	84	–	–	–
PQFP	208	208	208	208
VQFP	100	100	100	–
TQFP	144, 176	176	144, 176	144, 176
PBGA	–	–	–	313, 329
FBGA	144	–	–	–

## Ordering Information



## Plastic Device Resources

Device	User I/Os (including clock buffers)							
	PLCC 84-Pin	VQFP 100-Pin	PQFP 208-Pin	TQFP 144-Pin	TQFP 176-Pin	PBGA 313-Pin	PBGA 329-Pin	FBGA 144-Pin
A54SX08	69	81	130	113	128	–	–	111
A54SX16	–	81	175	–	147	–	–	–
A54SX16P	–	81	175	113	147	–	–	–
A54SX32	–	–	174	113	147	249	249	–

**Note:** Package Definitions (Consult your local Actel sales representative for product availability):

- PLCC = Plastic Leaded Chip Carrier
- PQFP = Plastic Quad Flat Pack
- TQFP = Thin Quad Flat Pack
- VQFP = Very Thin Quad Flat Pack
- PBGA = Plastic Ball Grid Array
- FBGA = Fine Pitch (1.0 mm) Ball Grid Array

---

# Table of Contents

---

## SX Family FPGAs

General Description .....	1-1
SX Family Architecture .....	1-1
Programming .....	1-7
3.3 V / 5 V Operating Conditions .....	1-7
PCI Compliance for the SX Family .....	1-9
A54SX16P AC Specifications for (PCI Operation) .....	1-10
A54SX16P DC Specifications (3.3 V PCI Operation) .....	1-12
A54SX16P AC Specifications (3.3 V PCI Operation) .....	1-13
Power-Up Sequencing .....	1-15
Power-Down Sequencing .....	1-15
Evaluating Power in SX Devices .....	1-16
SX Timing Model .....	1-21
Timing Characteristics .....	1-23

## Package Pin Assignments

84-Pin PLCC .....	2-1
208-Pin PQFP .....	2-3
144-Pin TQFP .....	2-7
176-Pin TQFP .....	2-10
100-Pin VQFP .....	2-14
313-Pin PBGA .....	2-16
329-Pin PBGA .....	2-19
144-Pin FBGA .....	2-23

## Datasheet Information

List of Changes .....	3-1
Datasheet Categories .....	3-1
International Traffic in Arms Regulations (ITAR) and Export Administration Regulations (EAR) .....	3-1



# SX Family FPGAs

## General Description

The Actel SX family of FPGAs features a sea-of-modules architecture that delivers device performance and integration levels not currently achieved by any other FPGA architecture. SX devices greatly simplify design time, enable dramatic reductions in design costs and power consumption, and further decrease time to market for performance-intensive applications.

The Actel SX architecture features two types of logic modules, the combinatorial cell (C-cell) and the register cell (R-cell), each optimized for fast and efficient mapping of synthesized logic functions. The routing and interconnect resources are in the metal layers above the logic modules, providing optimal use of silicon. This enables the entire floor of the device to be spanned with an uninterrupted grid of fine-grained, synthesis-friendly logic modules (or “sea-of-modules”), which reduces the distance signals have to travel between logic modules. To minimize signal propagation delay, SX devices employ both local and general routing resources. The high-speed local routing resources (DirectConnect and FastConnect) enable very fast local signal propagation that is optimal for fast counters, state machines, and datapath logic. The general system of segmented routing tracks allows any logic module in the array to be connected to any other logic or I/O module. Within this system, propagation delay is minimized by limiting the number of antifuse interconnect elements to five (90 percent of connections typically use only three antifuses). The unique local and general routing structure featured in SX devices gives fast and predictable performance, allows 100 percent pin-locking with full logic utilization, enables concurrent PCB development, reduces design time, and allows designers to achieve performance goals with minimum effort.

Further complementing SX’s flexible routing structure is a hardwired, constantly loaded clock network that has been tuned to provide fast clock propagation with minimal clock skew. Additionally, the high performance of the internal logic has eliminated the need to embed latches or flip-flops in the I/O cells to achieve fast clock-to-out or fast input setup times. SX devices have easy to use I/O cells that do not require HDL instantiation, facilitating design reuse and reducing design and verification time.

## SX Family Architecture

The SX family architecture was designed to satisfy next-generation performance and integration requirements for production-volume designs in a broad range of applications.

### Programmable Interconnect Element

The SX family provides efficient use of silicon by locating the routing interconnect resources between the Metal 2 (M2) and Metal 3 (M3) layers (Figure 1-1 on page 1-2). This completely eliminates the channels of routing and interconnect resources between logic modules (as implemented on SRAM FPGAs and previous generations of antifuse FPGAs), and enables the entire floor of the device to be spanned with an uninterrupted grid of logic modules.

Interconnection between these logic modules is achieved using The Actel patented metal-to-metal programmable antifuse interconnect elements, which are embedded between the M2 and M3 layers. The antifuses are normally open circuit and, when programmed, form a permanent low-impedance connection.

The extremely small size of these interconnect elements gives the SX family abundant routing resources and provides excellent protection against design pirating. Reverse engineering is virtually impossible because it is extremely difficult to distinguish between programmed and unprogrammed antifuses, and there is no configuration bitstream to intercept.

Additionally, the interconnect elements (i.e., the antifuses and metal tracks) have lower capacitance and lower resistance than any other device of similar capacity, leading to the fastest signal propagation in the industry.

### Logic Module Design

The SX family architecture is described as a “sea-of-modules” architecture because the entire floor of the device is covered with a grid of logic modules with virtually no chip area lost to interconnect elements or routing. The Actel SX family provides two types of logic modules, the register cell (R-cell) and the combinatorial cell (C-cell).

The R-cell contains a flip-flop featuring asynchronous clear, asynchronous preset, and clock enable (using the S0 and S1 lines) control signals (Figure 1-2). The R-cell registers feature programmable clock polarity selectable on a register-by-register basis. This provides additional

flexibility while allowing mapping of synthesized functions into the SX FPGA. The clock source for the R-cell can be chosen from either the hardwired clock or the routed clock.

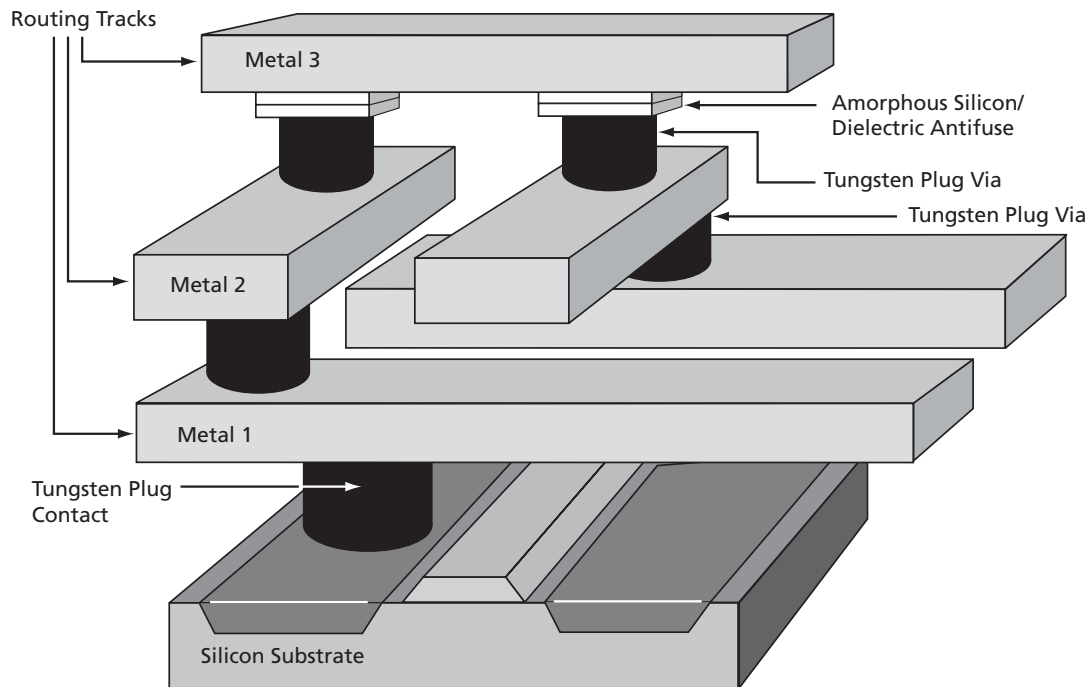


Figure 1-1 • SX Family Interconnect Elements

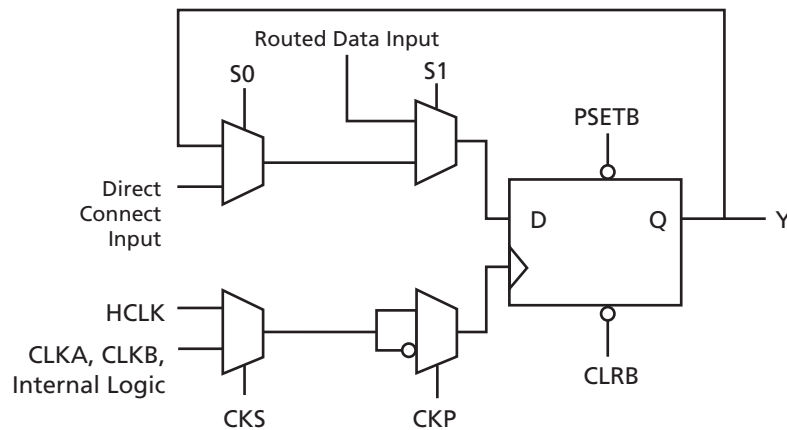


Figure 1-2 • R-Cell

The C-cell implements a range of combinatorial functions up to 5-inputs (Figure 1-3 on page 1-3). Inclusion of the DB input and its associated inverter function dramatically increases the number of combinatorial functions that can be implemented in a single module from 800 options in previous architectures to more than 4,000 in the SX architecture. An example of the improved flexibility

enabled by the inversion capability is the ability to integrate a 3-input exclusive-OR function into a single C-cell. This facilitates construction of 9-bit parity-tree functions with 2 ns propagation delays. At the same time, the C-cell structure is extremely synthesis friendly, simplifying the overall design and reducing synthesis time.

## Chip Architecture

The SX family chip architecture provides a unique approach to module organization and chip routing that delivers the best register/logic mix for a wide variety of new and emerging applications.

## Module Organization

Actel has arranged all C-cell and R-cell logic modules into horizontal banks called *clusters*. There are two types of *clusters*: Type 1 contains two C-cells and one R-cell, while Type 2 contains one C-cell and two R-cells.

To increase design efficiency and device performance, Actel has further organized these modules into *SuperClusters* (Figure 1-4). SuperCluster 1 is a two-wide grouping of Type 1 clusters. SuperCluster 2 is a two-wide group containing one Type 1 cluster and one Type 2 cluster. SX devices feature more SuperCluster 1 modules than SuperCluster 2 modules because designers typically require significantly more combinatorial logic than flip-flops.

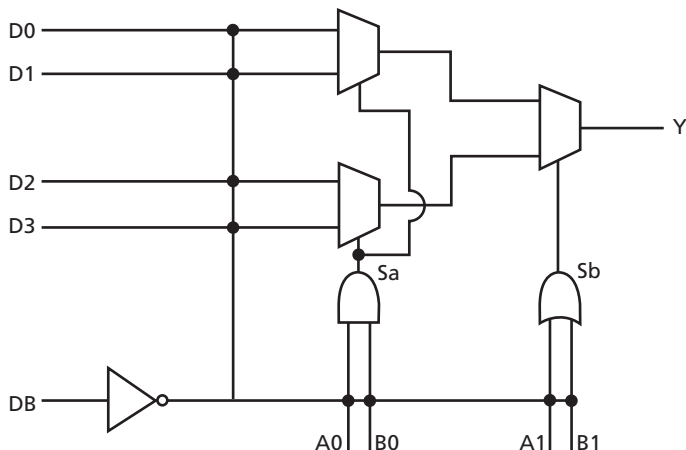


Figure 1-3 • C-Cell

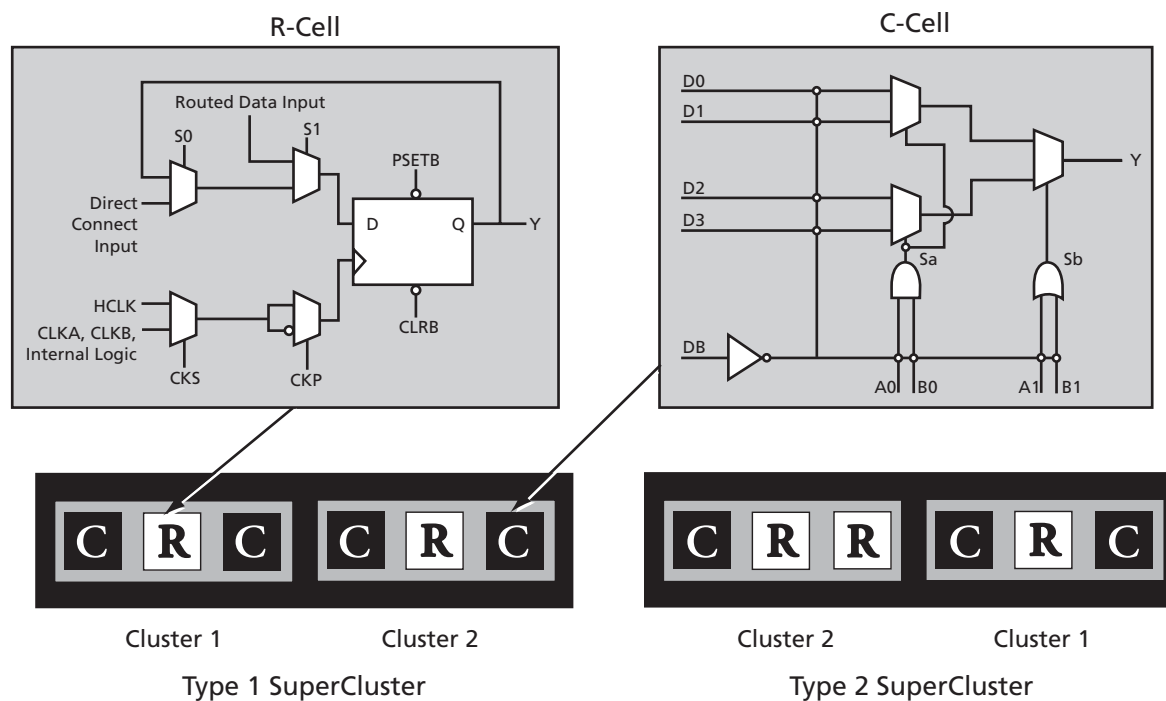


Figure 1-4 • Cluster Organization

## Routing Resources

Clusters and SuperClusters can be connected through the use of two innovative local routing resources called *FastConnect* and *DirectConnect*, which enable extremely fast and predictable interconnection of modules within clusters and SuperClusters (Figure 1-5 and Figure 1-6). This routing architecture also dramatically reduces the number of antifuses required to complete a circuit, ensuring the highest possible performance.

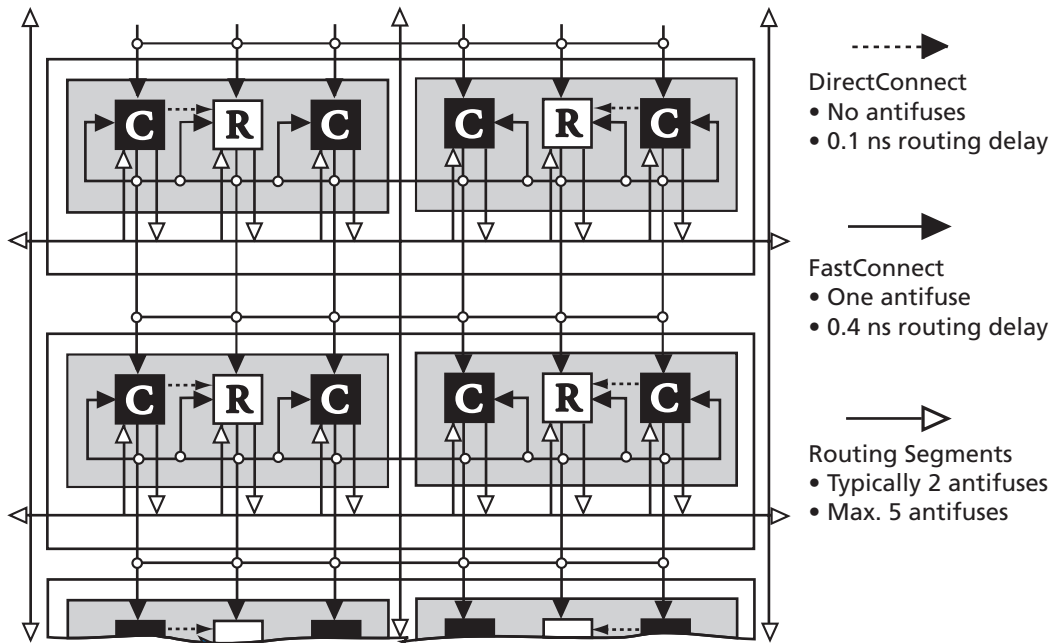


Figure 1-5 • DirectConnect and FastConnect for Type 1 SuperClusters

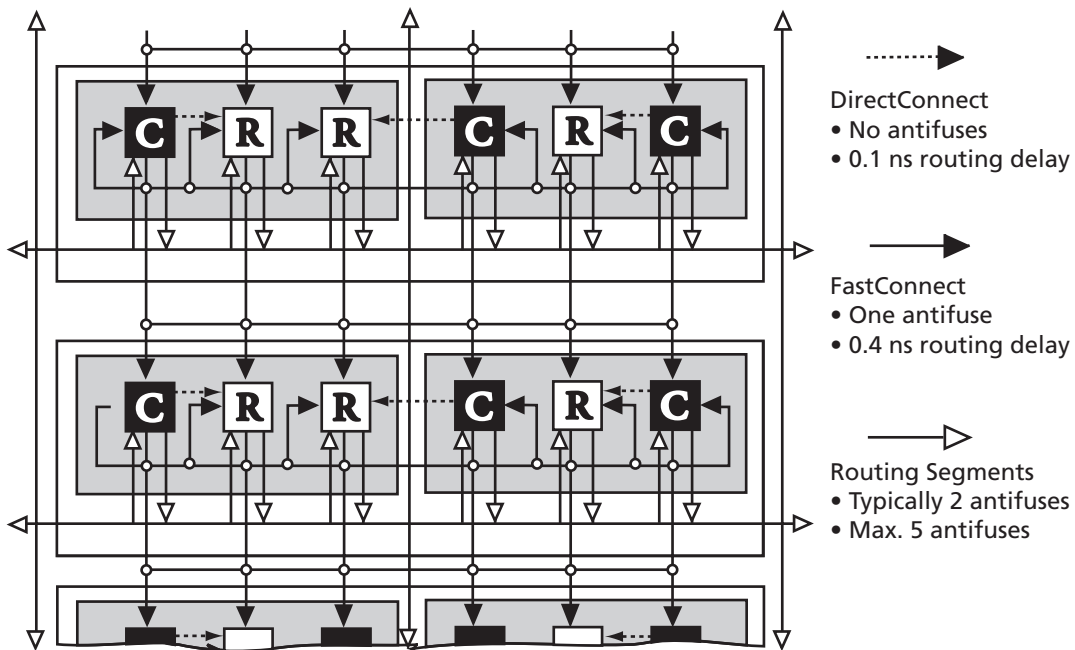


Figure 1-6 • DirectConnect and FastConnect for Type 2 SuperClusters



DirectConnect is a horizontal routing resource that provides connections from a C-cell to its neighboring R-cell in a given SuperCluster. DirectConnect uses a hardwired signal path requiring no programmable interconnection to achieve its fast signal propagation time of less than 0.1 ns.

FastConnect enables horizontal routing between any two logic modules within a given SuperCluster and vertical routing with the SuperCluster immediately below it. Only one programmable connection is used in a FastConnect path, delivering maximum pin-to-pin propagation of 0.4 ns.

In addition to DirectConnect and FastConnect, the architecture makes use of two globally oriented routing resources known as segmented routing and high-drive routing. The Actel segmented routing structure provides a variety of track lengths for extremely fast routing between SuperClusters. The exact combination of track lengths and antifuses within each path is chosen by the 100 percent automatic place-and-route software to minimize signal propagation delays.

The Actel high-drive routing structure provides three clock networks. The first clock, called HCLK, is hardwired from the HCLK buffer to the clock select multiplexer (MUX) in each R-cell. This provides a fast propagation path for the clock signal, enabling the 3.7 ns clock-to-out (pin-to-pin) performance of the SX devices. The hardwired clock is tuned to provide clock skew as low as 0.25 ns. The remaining two clocks (CLKA, CLKB) are global clocks that can be sourced from external pins or from internal logic signals within the SX device.

## Other Architectural Features

### Technology

The Actel SX family is implemented on a high-voltage twin-well CMOS process using 0.35  $\mu$  design rules. The metal-to-metal antifuse is made up of a combination of amorphous silicon and dielectric material with barrier metals and has a programmed ("on" state) resistance of 25  $\Omega$  with a capacitance of 1.0 fF for low signal impedance.

### Performance

The combination of architectural features described above enables SX devices to operate with internal clock frequencies exceeding 300 MHz, enabling very fast execution of even complex logic functions. Thus, the SX family is an optimal platform upon which to integrate the functionality previously contained in multiple CPLDs. In addition, designs that previously would have required a gate array to meet performance goals can now be integrated into an SX device with dramatic improvements in cost and time to market. Using timing-driven place-and-route tools, designers can achieve highly deterministic device performance. With SX devices, designers do not need to use complicated performance-enhancing design techniques such as the use of redundant logic to reduce fanout on critical nets or the instantiation of macros in HDL code to achieve high performance.

### I/O Modules

Each I/O on an SX device can be configured as an input, an output, a tristate output, or a bidirectional pin.

Even without the inclusion of dedicated I/O registers, these I/Os, in combination with array registers, can achieve clock-to-out (pad-to-pad) timing as fast as 3.7 ns. I/O cells that have embedded latches and flip-flops require instantiation in HDL code; this is a design complication not encountered in SX FPGAs. Fast pin-to-pin timing ensures that the device will have little trouble interfacing with any other device in the system, which in turn enables parallel design of system components and reduces overall design time.

### Power Requirements

The SX family supports 3.3 V operation and is designed to tolerate 5.0 V inputs. (Table 1-1). Power consumption is extremely low due to the very short distances signals are required to travel to complete a circuit. Power requirements are further reduced because of the small number of low-resistance antifuses in the path. The antifuse architecture does not require active circuitry to hold a charge (as do SRAM or EPROM), making it the lowest power architecture on the market.

Table 1-1 • Supply Voltages

Device	V <sub>CCA</sub>	V <sub>CCI</sub>	V <sub>CCR</sub>	Maximum Input Tolerance	Maximum Output Drive
A54SX08 A54SX16 A54SX32	3.3 V	3.3 V	5.0 V	5.0 V	3.3 V
A54SX16-P*	3.3 V	3.3 V	3.3 V	3.3 V	3.3 V
	3.3 V	3.3 V	5.0 V	5.0 V	3.3 V
	3.3 V	5.0 V	5.0 V	5.0 V	5.0 V

**Note:** \*A54SX16-P has three different entries because it is capable of both a 3.3 V and a 5.0 V drive.

## Boundary Scan Testing (BST)

All SX devices are IEEE 1149.1 compliant. SX devices offer superior diagnostic and testing capabilities by providing Boundary Scan Testing (BST) and probing capabilities. These functions are controlled through the special test pins in conjunction with the program fuse. The functionality of each pin is described in [Table 1-2](#). In the dedicated test mode, TCK, TDI, and TDO are dedicated pins and cannot be used as regular I/Os. In flexible mode, TMS should be set HIGH through a pull-up resistor of 10 kΩ. TMS can be pulled LOW to initiate the test sequence.

The program fuse determines whether the device is in dedicated or flexible mode. The default (fuse not blown) is flexible mode.

Table 1-2 • Boundary Scan Pin Functionality

Program Fuse Blown (Dedicated Test Mode)	Program Fuse Not Blown (Flexible Mode)
TCK, TDI, TDO are dedicated BST pins.	TCK, TDI, TDO are flexible and may be used as I/Os.
No need for pull-up resistor for TMS	Use a pull-up resistor of 10 kΩ on TMS.

## Dedicated Test Mode

In Dedicated mode, all JTAG pins are reserved for BST; designers cannot use them as regular I/Os. An internal pull-up resistor is automatically enabled on both TMS and TDI pins, and the TMS pin will function as defined in the IEEE 1149.1 (JTAG) specification.

To select Dedicated mode, users need to reserve the JTAG pins in Actel's Designer software by checking the "Reserve JTAG" box in "Device Selection Wizard" ([Figure 1-7](#)). JTAG pins comply with LVTTTL/TTL I/O specification regardless of whether they are used as a user I/O or a JTAG I/O. Refer to the [Table 1-5 on page 1-8](#) for detailed specifications.



Figure 1-7 • Device Selection Wizard

## Development Tool Support

The SX family of FPGAs is fully supported by both the Actel Libero® Integrated Design Environment (IDE) and Designer FPGA Development software. Actel Libero IDE is a design management environment, seamlessly integrating design tools while guiding the user through the design flow, managing all design and log files, and passing necessary design data among tools. Libero IDE allows users to integrate both schematic and HDL synthesis into a single flow and verify the entire design in a single environment. Libero IDE includes Synplify® for Actel from Synplicity®, ViewDraw® for Actel from Mentor Graphics®, ModelSim® HDL Simulator from Mentor Graphics, WaveFormer Lite™ from SynaptiCAD™, and Designer software from Actel. Refer to the [Libero IDE flow diagram](#) (located on the Actel website) for more information.

Actel Designer software is a place-and-route tool and provides a comprehensive suite of backend support tools for FPGA development. The Designer software includes timing-driven place-and-route, and a world-class integrated static timing analyzer and constraints editor. With the Designer software, a user can select and lock package pins while only minimally impacting the results of place-and-route. Additionally, the back-annotation flow is compatible with all the major simulators, and the simulation results can be cross-probed with Silicon Explorer II, Actel integrated verification and logic analysis tool. Another tool included in the Designer software is the SmartGen core generator, which easily creates popular and commonly used logic functions for implementation into your schematic or HDL design. Actel Designer software is compatible with the most popular FPGA design entry and verification tools from companies such as Mentor Graphics, Synplicity, Synopsys®, and Cadence® Design Systems. The Designer software is available for both the Windows® and UNIX® operating systems.

## Probe Circuit Control Pins

The Silicon Explorer II tool uses the boundary scan ports (TDI, TCK, TMS, and TDO) to select the desired nets for verification. The selected internal nets are assigned to the PRA/PRB pins for observation. [Figure 1-8 on page 1-7](#) illustrates the interconnection between Silicon Explorer II and the FPGA to perform in-circuit verification.

## Design Considerations

The TDI, TCK, TDO, PRA, and PRB pins should not be used as input or bidirectional ports. Because these pins are active during probing, critical signals input through these pins are not available while probing. In addition, the Security Fuse should not be programmed because doing so disables the Probe Circuitry.

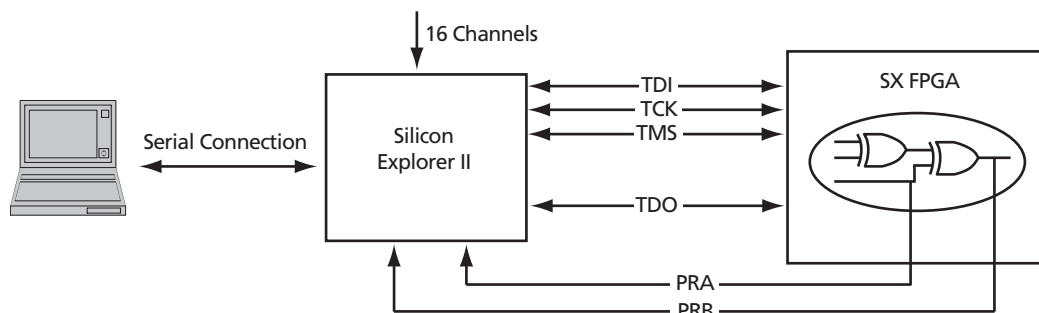


Figure 1-8 • Probe Setup

## Programming

Device programming is supported through Silicon Sculptor series of programmers. In particular, Silicon Sculptor II are compact, robust, single-site and multi-site device programmer for the PC.

With standalone software, Silicon Sculptor II allows concurrent programming of multiple units from the same PC, ensuring the fastest programming times possible. Each fuse is subsequently verified by Silicon Sculptor II to insure correct programming. In addition, integrity tests ensure that no extra fuses are programmed. Silicon Sculptor II also provides extensive hardware self-testing capability.

The procedure for programming an SX device using Silicon Sculptor II are as follows:

1. Load the .AFM file
2. Select the device to be programmed
3. Begin programming

When the design is ready to go to production, Actel offers device volume-programming services either through distribution partners or via in-house programming from the factory.

For more details on programming SX devices, refer to the [Programming Antifuse Devices](#) application note and the [Silicon Sculptor II User's Guide](#).

## 3.3 V / 5 V Operating Conditions

 Table 1-3 • Absolute Maximum Ratings<sup>1</sup>

Symbol	Parameter	Limits	Units
$V_{CCR}^2$	DC Supply Voltage <sup>3</sup>	-0.3 to + 6.0	V
$V_{CCA}^2$	DC Supply Voltage	-0.3 to + 4.0	V
$V_{CCI}^2$	DC Supply Voltage (A54SX08, A54SX16, A54SX32)	-0.3 to + 4.0	V
$V_{CCI}^2$	DC Supply Voltage (A54SX16P)	-0.3 to + 6.0	V
$V_I$	Input Voltage	-0.5 to + 5.5	V
$V_O$	Output Voltage	-0.5 to + 3.6	V
$I_{IO}$	I/O Source Sink Current <sup>3</sup>	-30 to + 5.0	mA
$T_{STG}$	Storage Temperature	-65 to +150	°C

### Notes:

1. Stresses beyond those listed under "Absolute Maximum Ratings" may cause permanent damage to the device. Exposure to absolute maximum rated conditions for extended periods may affect device reliability. Device should not be operated outside the Recommended Operating Conditions.
2.  $V_{CCR}$  in the A54SX16P must be greater than or equal to  $V_{CCI}$  during power-up and power-down sequences and during normal operation.
3. Device inputs are normally high impedance and draw extremely low current. However, when input voltage is greater than  $V_{CC} + 0.5$  V or less than  $GND - 0.5$  V, the internal protection diodes will forward-bias and can draw excessive current.

Table 1-4 • Recommended Operating Conditions

Parameter	Commercial	Industrial	Military	Units
Temperature Range*	0 to + 70	-40 to + 85	-55 to +125	°C
3.3 V Power Supply Tolerance	±10	±10	±10	%V <sub>CC</sub>
5.0 V Power Supply Tolerance	±5	±10	±10	%V <sub>CC</sub>

**Note:** \*Ambient temperature ( $T_A$ ) is used for commercial and industrial; case temperature ( $T_C$ ) is used for military.

Table 1-5 • Electrical Specifications

Symbol	Parameter	Commercial		Industrial		Units
		Min.	Max.	Min.	Max.	
V <sub>OH</sub>	(I <sub>OH</sub> = -20 μA) (CMOS) (I <sub>OH</sub> = -8 mA) (TTL) (I <sub>OH</sub> = -6 mA) (TTL)	(V <sub>CCI</sub> - 0.1) 2.4	V <sub>CCI</sub> V <sub>CCI</sub>	(V <sub>CCI</sub> - 0.1) 2.4	V <sub>CCI</sub> V <sub>CCI</sub>	V
V <sub>OL</sub>	(I <sub>OL</sub> = 20 μA) (CMOS) (I <sub>OL</sub> = 12 mA) (TTL) (I <sub>OL</sub> = 8 mA) (TTL)		0.10 0.50		0.50	V
V <sub>IL</sub>			0.8		0.8	V
V <sub>IH</sub>		2.0		2.0		V
t <sub>R</sub> , t <sub>F</sub>	Input Transition Time t <sub>R</sub> , t <sub>F</sub>		50		50	ns
C <sub>IO</sub>	C <sub>IO</sub> I/O Capacitance		10		10	pF
I <sub>CC</sub>	Standby Current, I <sub>CC</sub>		4.0		4.0	mA
I <sub>CC(D)</sub>	I <sub>CC(D)</sub> I <sub>Dynamic</sub> V <sub>CC</sub> Supply Current	See "Evaluating Power in SX Devices" on page 1-16.				

## PCI Compliance for the SX Family

The SX family supports 3.3 V and 5.0 V PCI and is compliant with the PCI Local Bus Specification Rev. 2.1.

Table 1-6 • A54SX16P DC Specifications (5.0 V PCI Operation)

Symbol	Parameter	Condition	Min.	Max.	Units
V <sub>CCA</sub>	Supply Voltage for Array		3.0	3.6	V
V <sub>CCR</sub>	Supply Voltage required for Internal Biasing		4.75	5.25	V
V <sub>CCI</sub>	Supply Voltage for I/Os		4.75	5.25	V
V <sub>IH</sub>	Input High Voltage <sup>1</sup>		2.0	V <sub>CC</sub> + 0.5	V
V <sub>IL</sub>	Input Low Voltage <sup>1</sup>		-0.5	0.8	V
I <sub>IH</sub>	Input High Leakage Current	V <sub>IN</sub> = 2.7		70	μA
I <sub>IL</sub>	Input Low Leakage Current	V <sub>IN</sub> = 0.5		-70	μA
V <sub>OH</sub>	Output High Voltage	I <sub>OUT</sub> = -2 mA	2.4		V
V <sub>OL</sub>	Output Low Voltage <sup>2</sup>	I <sub>OUT</sub> = 3 mA, 6 mA		0.55	V
C <sub>IN</sub>	Input Pin Capacitance <sup>3</sup>			10	pF
C <sub>CLK</sub>	CLK Pin Capacitance		5	12	pF
C <sub>IDSEL</sub>	IDSEL Pin Capacitance <sup>4</sup>			8	pF

### Notes:

1. Input leakage currents include hi-Z output leakage for all bidirectional buffers with tristate outputs.
2. Signals without pull-up resistors must have 3 mA low output current. Signals requiring pull-up must have 6 mA; the latter include, FRAME#, IRDY#, TRDY#, DEVSEL#, STOP#, SERR#, PERR#, LOCK#, and, when used, AD[63::32], C/BE[7::4]#, PAR64, REQ64#, and ACK64#.
3. Absolute maximum pin capacitance for a PCI input is 10 pF (except for CLK).
4. Lower capacitance on this input-only pin allows for non-resistive coupling to AD[xx].

## A54SX16P AC Specifications for (PCI Operation)

Table 1-7 • A54SX16P AC Specifications for (PCI Operation)

Symbol	Parameter	Condition	Min.	Max.	Units
$I_{OH(AC)}$	Switching Current High	$0 < V_{OUT} \leq 1.4^1$	-44		mA
		$1.4 \leq V_{OUT} < 2.4^1, ^2$	$-44 + (V_{OUT} - 1.4)/0.024$		mA
		$3.1 < V_{OUT} < V_{CC}^{1, ^3}$		EQ 1-1 on page 1-11	
	(Test Point)	$V_{OUT} = 3.1^3$		-142	mA
$I_{OL(AC)}$	Switching Current High	$V_{OUT} \geq 2.2^1$	95		mA
		$2.2 > V_{OUT} > 0.55^1$	$V_{OUT}/0.023$		
		$0.71 > V_{OUT} > 0^{1, ^3}$		EQ 1-2 on page 1-11	mA
	(Test Point)	$V_{OUT} = 0.71^3$		206	mA
$I_{CL}$	Low Clamp Current	$-5 < V_{IN} \leq -1$	$-25 + (V_{IN} + 1)/0.015$		mA
$slew_R$	Output Rise Slew Rate	0.4 V to 2.4 V load <sup>4</sup>	1	5	V/ns
$slew_F$	Output Fall Slew Rate	2.4 V to 0.4 V load <sup>4</sup>	1	5	V/ns

### Notes:

1. Refer to the V/I curves in Figure 1-9 on page 1-11. Switching current characteristics for REQ# and GNT# are permitted to be one half of that specified here; i.e., half-size output drivers may be used on these signals. This specification does not apply to CLK and RST#, which are system outputs. "Switching Current High" specifications are not relevant to SERR#, INTA#, INTB#, INTC#, and INTD#, which are open drain outputs.
2. Note that this segment of the minimum current curve is drawn from the AC drive point directly to the DC drive point rather than toward the voltage rail (as is done in the pull-down curve). This difference is intended to allow for an optional N-channel pull-up.
3. Maximum current requirements must be met as drivers pull beyond the last step voltage. Equations defining these maximums (A and B) are provided with the respective diagrams in Figure 1-9 on page 1-11. The equation defined maxima should be met by design. In order to facilitate component testing, a maximum current test point is defined for each side of the output driver.
4. This parameter is to be interpreted as the cumulative edge rate across the specified range, rather than the instantaneous rate at any point within the transition range. The specified load (diagram below) is optional; i.e., the designer may elect to meet this parameter with an unloaded output per revision 2.0 of the PCI Local Bus Specification. However, adherence to both maximum and minimum parameters is now required (the maximum is no longer simply a guideline). Since adherence to the maximum slew rate was not required prior to revision 2.1 of the specification, there may be components in the market for some time that have faster edge rates; therefore, motherboard designers must bear in mind that rise and fall times faster than this specification could occur, and should ensure that signal integrity modeling accounts for this. Rise slew rate does not apply to open drain outputs.

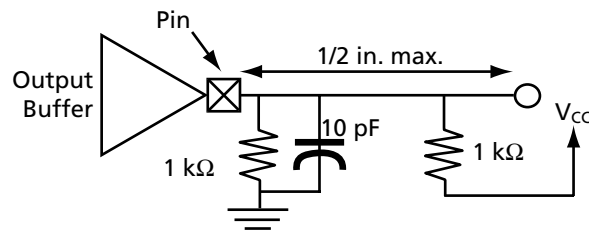


Figure 1-9 shows the 5.0 V PCI V/I curve and the minimum and maximum PCI drive characteristics of the A54SX16P device.

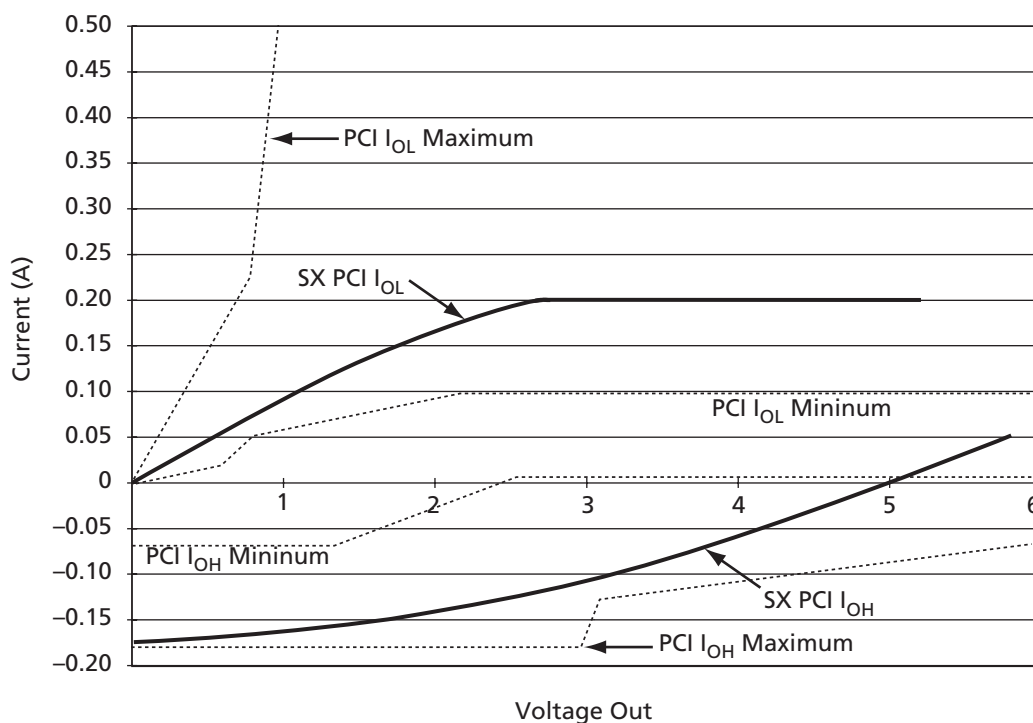


Figure 1-9 • 5.0 V PCI Curve for A54SX16P Device

$$I_{OH} = 11.9 \times (V_{OUT} - 5.25) \times (V_{OUT} + 2.45)$$

for  $V_{CC} > V_{OUT} > 3.1$  V

EQ 1-1

$$I_{OL} = 78.5 \times V_{OUT} \times (4.4 - V_{OUT})$$

for  $0$  V  $< V_{OUT} < 0.71$  V

EQ 1-2

## A54SX16P DC Specifications (3.3 V PCI Operation)

Table 1-8 • A54SX16P DC Specifications (3.3 V PCI Operation)

Symbol	Parameter	Condition	Min.	Max.	Units
$V_{CCA}$	Supply Voltage for Array		3.0	3.6	V
$V_{CCR}$	Supply Voltage required for Internal Biasing		3.0	3.6	V
$V_{CCI}$	Supply Voltage for I/Os		3.0	3.6	V
$V_{IH}$	Input High Voltage		$0.5V_{CC}$	$V_{CC} + 0.5$	V
$V_{IL}$	Input Low Voltage		-0.5	$0.3V_{CC}$	V
$I_{IPU}$	Input Pull-up Voltage <sup>1</sup>		$0.7V_{CC}$		V
$I_{IL}$	Input Leakage Current <sup>2</sup>	$0 < V_{IN} < V_{CC}$		$\pm 10$	$\mu A$
$V_{OH}$	Output High Voltage	$I_{OUT} = -500 \mu A$	$0.9V_{CC}$		V
$V_{OL}$	Output Low Voltage	$I_{OUT} = 1500 \mu A$		$0.1V_{CC}$	V
$C_{IN}$	Input Pin Capacitance <sup>3</sup>			10	pF
$C_{CLK}$	CLK Pin Capacitance		5	12	pF
$C_{IDSEL}$	IDSEL Pin Capacitance <sup>4</sup>			8	pF

### Notes:

1. This specification should be guaranteed by design. It is the minimum voltage to which pull-up resistors are calculated to pull a floated network. Applications sensitive to static power utilization should assure that the input buffer is conducting minimum current at this input voltage.
2. Input leakage currents include hi-Z output leakage for all bidirectional buffers with tristate outputs.
3. Absolute maximum pin capacitance for a PCI input is 10 pF (except for CLK).
4. Lower capacitance on this input-only pin allows for non-resistive coupling to AD[xx].



## A54SX16P AC Specifications (3.3 V PCI Operation)

Table 1-9 • A54SX16P AC Specifications (3.3 V PCI Operation)

Symbol	Parameter	Condition	Min.	Max.	Units
$I_{OH(AC)}$	Switching Current High	$0 < V_{OUT} \leq 0.3V_{CC}^1$			mA
		$0.3V_{CC} \leq V_{OUT} < 0.9V_{CC}^1$	$-12V_{CC}$		mA
		$0.7V_{CC} < V_{OUT} < V_{CC}^{1,2}$	$-17.1 + (V_{CC} - V_{OUT})$	EQ 1-3 on page 1-14	
	(Test Point)	$V_{OUT} = 0.7V_{CC}^2$		$-32V_{CC}$	mA
$I_{OL(AC)}$	Switching Current High	$V_{CC} > V_{OUT} \geq 0.6V_{CC}^1$			mA
		$0.6V_{CC} > V_{OUT} > 0.1V_{CC}^1$	$16V_{CC}$		mA
		$0.18V_{CC} > V_{OUT} > 0^{1,2}$	$26.7V_{OUT}$	EQ 1-4 on page 1-14	mA
	(Test Point)	$V_{OUT} = 0.18V_{CC}^2$		$38V_{CC}$	
$I_{CL}$	Low Clamp Current	$-3 < V_{IN} \leq -1$	$-25 + (V_{IN} + 1)/0.015$		mA
$I_{CH}$	High Clamp Current	$-3 < V_{IN} \leq -1$	$25 + (V_{IN} - V_{OUT} - 1)/0.015$		mA
$slew_R$	Output Rise Slew Rate <sup>3</sup>	0.2V <sub>CC</sub> to 0.6V <sub>CC</sub> load	1	4	V/ns
$slew_F$	Output Fall Slew Rate <sup>3</sup>	0.6V <sub>CC</sub> to 0.2V <sub>CC</sub> load	1	4	V/ns

### Notes:

1. Refer to the VII curves in Figure 1-10 on page 1-14. Switching current characteristics for REQ# and GNT# are permitted to be one half of that specified here; i.e., half size output drivers may be used on these signals. This specification does not apply to CLK and RST# which are system outputs. "Switching Current High" specification are not relevant to SERR#, INTA#, INTB#, INTC#, and INTD# which are open drain outputs.
2. Maximum current requirements must be met as drivers pull beyond the last step voltage. Equations defining these maximums (C and D) are provided with the respective diagrams in Figure 1-10 on page 1-14. The equation defined maxima should be met by design. In order to facilitate component testing, a maximum current test point is defined for each side of the output driver.
3. This parameter is to be interpreted as the cumulative edge rate across the specified range, rather than the instantaneous rate at any point within the transition range. The specified load (diagram below) is optional; i.e., the designer may elect to meet this parameter with an unloaded output per the latest revision of the PCI Local Bus Specification. However, adherence to both maximum and minimum parameters is required (the maximum is no longer simply a guideline). Rise slew rate does not apply to open drain outputs.

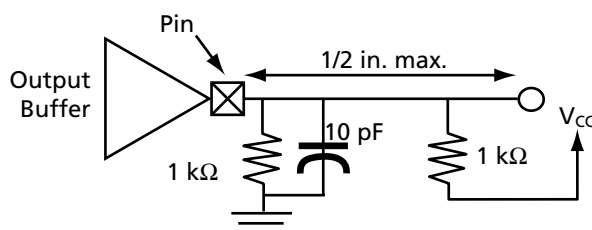


Figure 1-10 shows the 3.3 V PCI V/I curve and the minimum and maximum PCI drive characteristics of the A54SX16P device.

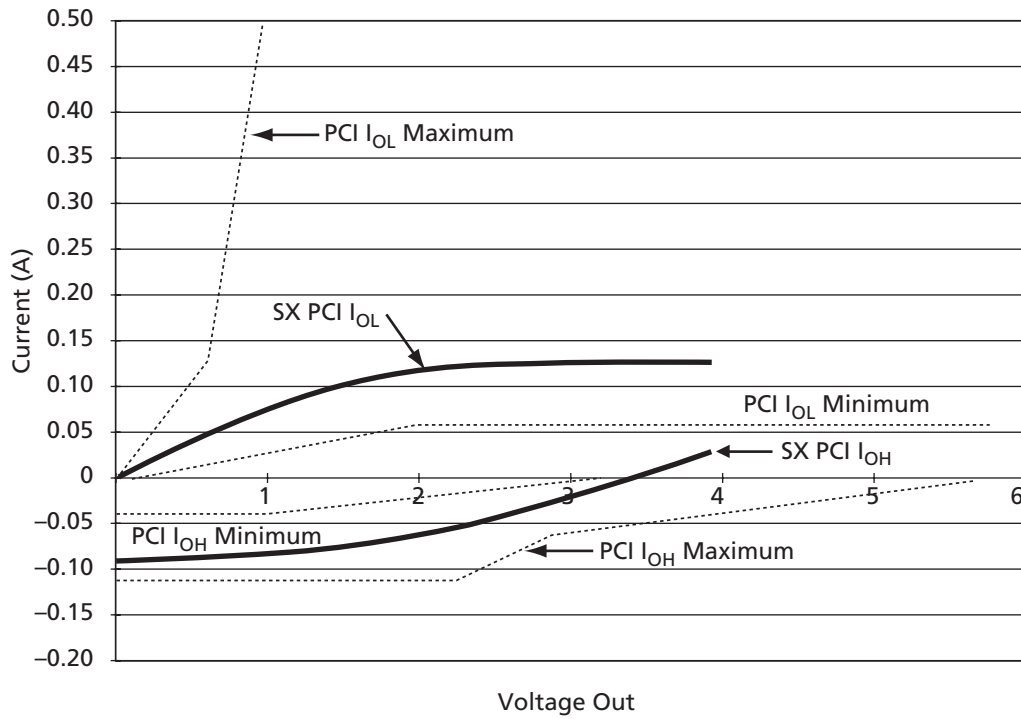


Figure 1-10 • 3.3 V PCI Curve for A54SX16P Device

$$I_{OH} = (98.0/V_{CC}) \times (V_{OUT} - V_{CC}) \times (V_{OUT} + 0.4V_{CC})$$

for  $V_{CC} > V_{OUT} > 0.7 V_{CC}$

EQ 1-3

$$I_{OL} = (256/V_{CC}) \times V_{OUT} \times (V_{CC} - V_{OUT})$$

for  $0 V < V_{OUT} < 0.18 V_{CC}$

EQ 1-4

## Power-Up Sequencing

Table 1-10 • Power-Up Sequencing

V <sub>CCA</sub>	V <sub>CCR</sub>	V <sub>CCI</sub>	Power-Up Sequence	Comments
<b>A54SX08, A54SX16, A54SX32</b>				
3.3 V	5.0 V	3.3 V	5.0 V First 3.3 V Second	No possible damage to device
			3.3 V First 5.0 V Second	Possible damage to device
<b>A54SX16P</b>				
3.3 V	3.3 V	3.3 V	3.3 V Only	No possible damage to device
3.3 V	5.0 V	3.3 V	5.0 V First 3.3 V Second	No possible damage to device
			3.3 V First 5.0 V Second	Possible damage to device
3.3 V	5.0 V	5.0 V	5.0 V First 3.3 V Second	No possible damage to device
			3.3 V First 5.0 V Second	No possible damage to device

**Note:** No inputs should be driven (high or low) before completion of power-up.

## Power-Down Sequencing

Table 1-11 • Power-Down Sequencing

V <sub>CCA</sub>	V <sub>CCR</sub>	V <sub>CCI</sub>	Power-Down Sequence	Comments
<b>A54SX08, A54SX16, A54SX32</b>				
3.3 V	5.0 V	3.3 V	5.0 V First 3.3 V Second	Possible damage to device
			3.3 V First 5.0 V Second	No possible damage to device
<b>A54SX16P</b>				
3.3 V	3.3 V	3.3 V	3.3 V Only	No possible damage to device
3.3 V	5.0 V	3.3 V	5.0 V First 3.3 V Second	Possible damage to device
			3.3 V First 5.0 V Second	No possible damage to device
3.3 V	5.0 V	5.0 V	5.0 V First 3.3 V Second	No possible damage to device
			3.3 V First 5.0 V Second	No possible damage to device

**Note:** No inputs should be driven (high or low) after the beginning of the power-down sequence.

## Evaluating Power in SX Devices

A critical element of system reliability is the ability of electronic devices to safely dissipate the heat generated during operation. The thermal characteristics of a circuit depend on the device and package used, the operating temperature, the operating current, and the system's ability to dissipate heat.

You should complete a power evaluation early in the design process to help identify potential heat-related problems in the system and to prevent the system from exceeding the device's maximum allowed junction temperature.

The actual power dissipated by most applications is significantly lower than the power the package can dissipate. However, a thermal analysis should be performed for all projects. To perform a power evaluation, follow these steps:

1. Estimate the power consumption of the application.
2. Calculate the maximum power allowed for the device and package.
3. Compare the estimated power and maximum power values.

## Estimating Power Consumption

The total power dissipation for the SX family is the sum of the DC power dissipation and the AC power dissipation. Use EQ 1-5 to calculate the estimated power consumption of your application.

$$P_{\text{Total}} = P_{\text{DC}} + P_{\text{AC}} \tag{EQ 1-5}$$

## DC Power Dissipation

The power due to standby current is typically a small component of the overall power. The Standby power is shown in Table 1-12 for commercial, worst-case conditions (70°C).

Table 1-12 • Standby Power

I <sub>CC</sub>	V <sub>CC</sub>	Power
4 mA	3.6 V	14.4 mW

The DC power dissipation is defined in EQ 1-6.

$$P_{\text{DC}} = (I_{\text{standby}}) \times V_{\text{CCA}} + (I_{\text{standby}}) \times V_{\text{CCR}} + (I_{\text{standby}}) \times V_{\text{CCI}} + xV_{\text{OL}} \times I_{\text{OL}} + y(V_{\text{CCI}} - V_{\text{OH}}) \times V_{\text{OH}} \tag{EQ 1-6}$$

## AC Power Dissipation

The power dissipation of the SX Family is usually dominated by the dynamic power dissipation. Dynamic power dissipation is a function of frequency, equivalent capacitance, and power supply voltage. The AC power dissipation is defined in EQ 1-7 and EQ 1-8.

$$P_{\text{AC}} = P_{\text{Module}} + P_{\text{RCLKA Net}} + P_{\text{RCLKB Net}} + P_{\text{HCLK Net}} + P_{\text{Output Buffer}} + P_{\text{Input Buffer}} \tag{EQ 1-7}$$

$$P_{\text{AC}} = V_{\text{CCA}}^2 \times [(m \times C_{\text{EQM}} \times f_m)_{\text{Module}} + (n \times C_{\text{EQI}} \times f_n)_{\text{Input Buffer}} + (p \times (C_{\text{EQO}} + C_L) \times f_p)_{\text{Output Buffer}} + (0.5 \times (q_1 \times C_{\text{EQCR}} \times f_{q1}) + (r_1 \times f_{q1}))_{\text{RCLKA}} + (0.5 \times (q_2 \times C_{\text{EQCR}} \times f_{q2}) + (r_2 \times f_{q2}))_{\text{RCLKB}} + (0.5 \times (s_1 \times C_{\text{EQHV}} \times f_{s1}) + (C_{\text{EQHF}} \times f_{s1}))_{\text{HCLK}}] \tag{EQ 1-8}$$

### Definition of Terms Used in Formula

- m = Number of logic modules switching at f<sub>m</sub>
- n = Number of input buffers switching at f<sub>n</sub>
- p = Number of output buffers switching at f<sub>p</sub>
- q<sub>1</sub> = Number of clock loads on the first routed array clock
- q<sub>2</sub> = Number of clock loads on the second routed array clock
- x = Number of I/Os at logic low
- y = Number of I/Os at logic high
- r<sub>1</sub> = Fixed capacitance due to first routed array clock
- r<sub>2</sub> = Fixed capacitance due to second routed array clock
- s<sub>1</sub> = Number of clock loads on the dedicated array clock
- C<sub>EQM</sub> = Equivalent capacitance of logic modules in pF
- C<sub>EQI</sub> = Equivalent capacitance of input buffers in pF
- C<sub>EQO</sub> = Equivalent capacitance of output buffers in pF
- C<sub>EQCR</sub> = Equivalent capacitance of routed array clock in pF
- C<sub>EQHV</sub> = Variable capacitance of dedicated array clock
- C<sub>EQHF</sub> = Fixed capacitance of dedicated array clock
- C<sub>L</sub> = Output lead capacitance in pF
- f<sub>m</sub> = Average logic module switching rate in MHz
- f<sub>n</sub> = Average input buffer switching rate in MHz
- f<sub>p</sub> = Average output buffer switching rate in MHz
- f<sub>q1</sub> = Average first routed array clock rate in MHz
- f<sub>q2</sub> = Average second routed array clock rate in MHz
- f<sub>s1</sub> = Average dedicated array clock rate in MHz

Table 1-13 shows capacitance values for various devices.

Table 1-13 • Capacitance Values for Devices

	A545X08	A545X16	A545X16P	A545X32
C <sub>EQM</sub> (pF)	4.0	4.0	4.0	4.0
C <sub>EQI</sub> (pF)	3.4	3.4	3.4	3.4
C <sub>EQO</sub> (pF)	4.7	4.7	4.7	4.7
C <sub>EQCR</sub> (pF)	1.6	1.6	1.6	1.6
C <sub>EQHV</sub>	0.615	0.615	0.615	0.615
C <sub>EQHF</sub>	60	96	96	140
r <sub>1</sub> (pF)	87	138	138	171
r <sub>2</sub> (pF)	87	138	138	171

Table 1-14 • Power Consumption Guidelines

Description	Power Consumption Guideline
Logic Modules (m)	20% of modules
Inputs Switching (n)	# inputs/4
Outputs Switching (p)	# outputs/4
First Routed Array Clock Loads (q <sub>1</sub> )	20% of register cells
Second Routed Array Clock Loads (q <sub>2</sub> )	20% of register cells
Load Capacitance (C <sub>L</sub> )	35 pF
Average Logic Module Switching Rate (f <sub>m</sub> )	f/10
Average Input Switching Rate (f <sub>n</sub> )	f/5
Average Output Switching Rate (f <sub>p</sub> )	f/10
Average First Routed Array Clock Rate (f <sub>q1</sub> )	f/2
Average Second Routed Array Clock Rate (f <sub>q2</sub> )	f/2
Average Dedicated Array Clock Rate (f <sub>s1</sub> )	f
Dedicated Clock Array Clock Loads (s <sub>1</sub> )	20% of regular modules

Follow the steps below to estimate power consumption. The values provided for the sample calculation below are for the shift register design above. This method for estimating power consumption is conservative and the actual power consumption of your design may be less than the estimated power consumption.

The total power dissipation for the SX family is the sum of the AC power dissipation and the DC power dissipation.

$$P_{\text{Total}} = P_{\text{AC}} \text{ (dynamic power)} + P_{\text{DC}} \text{ (static power)}$$

EQ 1-9

## Guidelines for Calculating Power Consumption

The power consumption guidelines are meant to represent worst-case scenarios so that they can be generally used to predict the upper limits of power dissipation. These guidelines are shown in Table 1-14.

### Sample Power Calculation

One of the designs used to characterize the SX family was a 528 bit serial-in, serial-out shift register. The design utilized 100 percent of the dedicated flip-flops of an A545X16P device. A pattern of 0101... was clocked into the device at frequencies ranging from 1 MHz to 200 MHz. Shifting in a series of 0101... caused 50 percent of the flip-flops to toggle from low to high at every clock cycle.

### AC Power Dissipation

$$P_{\text{AC}} = P_{\text{Module}} + P_{\text{RCLKA Net}} + P_{\text{RCLKB Net}} + P_{\text{HCLK Net}} + P_{\text{Output Buffer}} + P_{\text{Input Buffer}}$$

EQ 1-10

$$P_{\text{AC}} = V_{\text{CCA}}^2 \times [(m \times C_{\text{EQM}} \times f_m)_{\text{Module}} + (n \times C_{\text{EQI}} \times f_n)_{\text{Input Buffer}} + (p \times (C_{\text{EQO}} + C_L) \times f_p)_{\text{Output Buffer}} + (0.5 (q_1 \times C_{\text{EQCR}} \times f_{q1}) + (r_1 \times f_{q1}))_{\text{RCLKA}} + (0.5 (q_2 \times C_{\text{EQCR}} \times f_{q2}) + (r_2 \times f_{q2}))_{\text{RCLKB}} + (0.5 (s_1 \times C_{\text{EQHV}} \times f_{s1}) + (C_{\text{EQHF}} \times f_{s1}))_{\text{HCLK}}]$$

EQ 1-11

**Step 1: Define Terms Used in Formula**

	$V_{CCA}$	3.3
<b>Module</b>		
Number of logic modules switching at $f_m$ (Used 50%)	$m$	264
Average logic modules switching rate $f_m$ (MHz) (Guidelines: $f/10$ )	$f_m$	20
Module capacitance $C_{EQM}$ (pF)	$C_{EQM}$	4.0
<b>Input Buffer</b>		
Number of input buffers switching at $f_n$	$n$	1
Average input switching rate $f_n$ (MHz) (Guidelines: $f/5$ )	$f_n$	40
Input buffer capacitance $C_{EQI}$ (pF)	$C_{EQI}$	3.4
<b>Output Buffer</b>		
Number of output buffers switching at $f_p$	$p$	1
Average output buffers switching rate $f_p$ (MHz) (Guidelines: $f/10$ )	$f_p$	20
Output buffers buffer capacitance $C_{EQO}$ (pF)	$C_{EQO}$	4.7
Output Load capacitance $C_L$ (pF)	$C_L$	35
<b>RCLKA</b>		
Number of Clock loads $q_1$	$q_1$	528
Capacitance of routed array clock (pF)	$C_{EQCR}$	1.6
Average clock rate (MHz)	$f_{q1}$	200
Fixed capacitance (pF)	$r_1$	138
<b>RCLKB</b>		
Number of Clock loads $q_2$	$q_2$	0
Capacitance of routed array clock (pF)	$C_{EQCR}$	1.6
Average clock rate (MHz)	$f_{q2}$	0
Fixed capacitance (pF)	$r_2$	138
<b>HCLK</b>		
Number of Clock loads	$s_1$	0
Variable capacitance of dedicated array clock (pF)	$C_{EQHV}$	0.61 5
Fixed capacitance of dedicated array clock (pF)	$C_{EQHF}$	96
Average clock rate (MHz)	$f_{s1}$	0

**Step 2: Calculate Dynamic Power Consumption**

$V_{CCA} \times V_{CCA}$	10.89
$m \times f_m \times C_{EQM}$	0.02112
$n \times f_n \times C_{EQI}$	0.000136
$p \times f_p \times (C_{EQO} + C_L)$	0.000794
$0.5 (q_1 \times C_{EQCR} \times f_{q1}) + (r_1 \times f_{q1})$	0.11208
$0.5(q_2 \times C_{EQCR} \times f_{q2}) + (r_2 \times f_{q2})$	0
$0.5 (s_1 \times C_{EQHV} \times f_{s1}) + (C_{EQHF} \times f_{s1})$	0
$P_{AC} = 1.461 \text{ W}$	

**Step 3: Calculate DC Power Dissipation**  
**DC Power Dissipation**

$$P_{DC} = (I_{standby}) \times V_{CCA} + (I_{standby}) \times V_{CCR} + (I_{standby}) \times V_{CCI} + X \times V_{OL} \times I_{OL} + Y(V_{CCI} - V_{OH}) \times V_{OH}$$

*EQ 1-12*

For a rough estimate of DC Power Dissipation, only use  $P_{DC} = (I_{standby}) \times V_{CCA}$ . The rest of the formula provides a very small number that can be considered negligible.

$$P_{DC} = (I_{standby}) \times V_{CCA}$$

$$P_{DC} = .55 \text{ mA} \times 3.3 \text{ V}$$

$$P_{DC} = 0.001815 \text{ W}$$

**Step 4: Calculate Total Power Consumption**

$$P_{Total} = P_{AC} + P_{DC}$$

$$P_{Total} = 1.461 + 0.001815$$

$$P_{Total} = 1.4628 \text{ W}$$

**Step 5: Compare Estimated Power Consumption against Characterized Power Consumption**

The estimated total power consumption for this design is 1.46 W. The characterized power consumption for this design at 200 MHz is 1.0164 W.

Figure 1-11 shows the characterized power dissipation numbers for the shift register design using frequencies ranging from 1 MHz to 200 MHz.

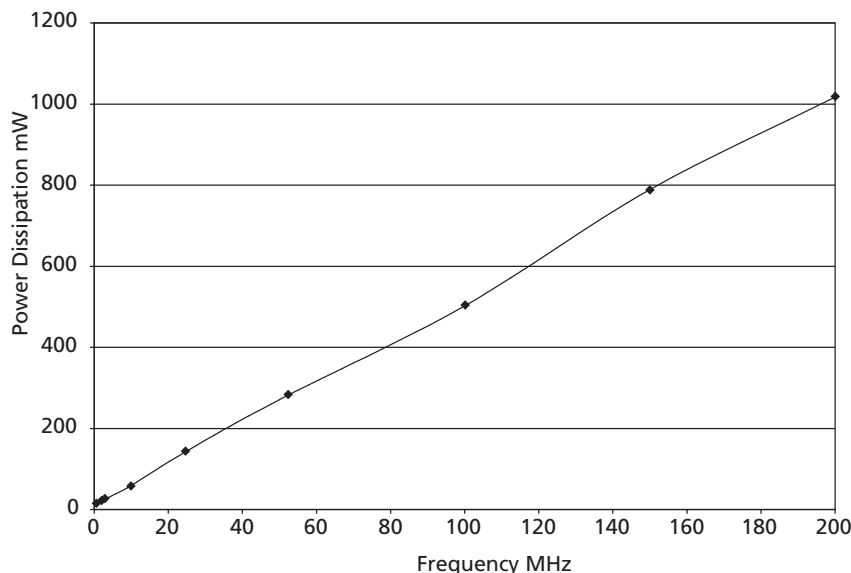


Figure 1-11 • Power Dissipation

## Junction Temperature ( $T_j$ )

The temperature that you select in Designer Series software is the junction temperature, not ambient temperature. This is an important distinction because the heat generated from dynamic power consumption is usually hotter than the ambient temperature. Use the equation below to calculate junction temperature.

$$\text{Junction Temperature} = \Delta T + T_a$$

EQ 1-13

Where:

$T_a$  = Ambient Temperature

$\Delta T$  = Temperature gradient between junction (silicon) and ambient

$$\Delta T = \theta_{ja} \times P$$

$P$  = Power calculated from Estimating Power Consumption section

$\theta_{ja}$  = Junction to ambient of package.  $\theta_{ja}$  numbers are located in the "Package Thermal Characteristics" section.

## Package Thermal Characteristics

The device junction to case thermal characteristic is  $\theta_{jc}$ , and the junction to ambient air characteristic is  $\theta_{ja}$ . The thermal characteristics for  $\theta_{ja}$  are shown with two different air flow rates.

The maximum junction temperature is 150 °C.

A sample calculation of the absolute maximum power dissipation allowed for a TQFP 176-pin package at commercial temperature and still air is as follows:

$$\text{Maximum Power Allowed} = \frac{\text{Max. junction temp. (}^\circ\text{C)} - \text{Max. ambient temp. (}^\circ\text{C)}}{\theta_{ja} \text{ (}^\circ\text{C/W)}} = \frac{150^\circ\text{C} - 70^\circ\text{C}}{28^\circ\text{C/W}} = 2.86 \text{ W}$$

EQ 1-14

Table 1-15 • Package Thermal Characteristics

Package Type	Pin Count	$\theta_{jc}$	$\theta_{ja}$ Still Air	$\theta_{ja}$ 300 ft/min.	Units
Plastic Leaded Chip Carrier (PLCC)	84	12	32	22	°C/W
Thin Quad Flat Pack (TQFP)	144	11	32	24	°C/W
Thin Quad Flat Pack (TQFP)	176	11	28	21	°C/W
Very Thin Quad Flatpack (VQFP)	100	10	38	32	°C/W
Plastic Quad Flat Pack (PQFP) without Heat Spreader	208	8	30	23	°C/W
Plastic Quad Flat Pack (PQFP) with Heat Spreader	208	3.8	20	17	°C/W
Plastic Ball Grid Array (PBGA)	272	3	20	14.5	°C/W
Plastic Ball Grid Array (PBGA)	313	3	23	17	°C/W
Plastic Ball Grid Array (PBGA)	329	3	18	13.5	°C/W
Fine Pitch Ball Grid Array (FBGA)	144	3.8	38.8	26.7	°C/W

**Note:** SX08 does not have a heat spreader.

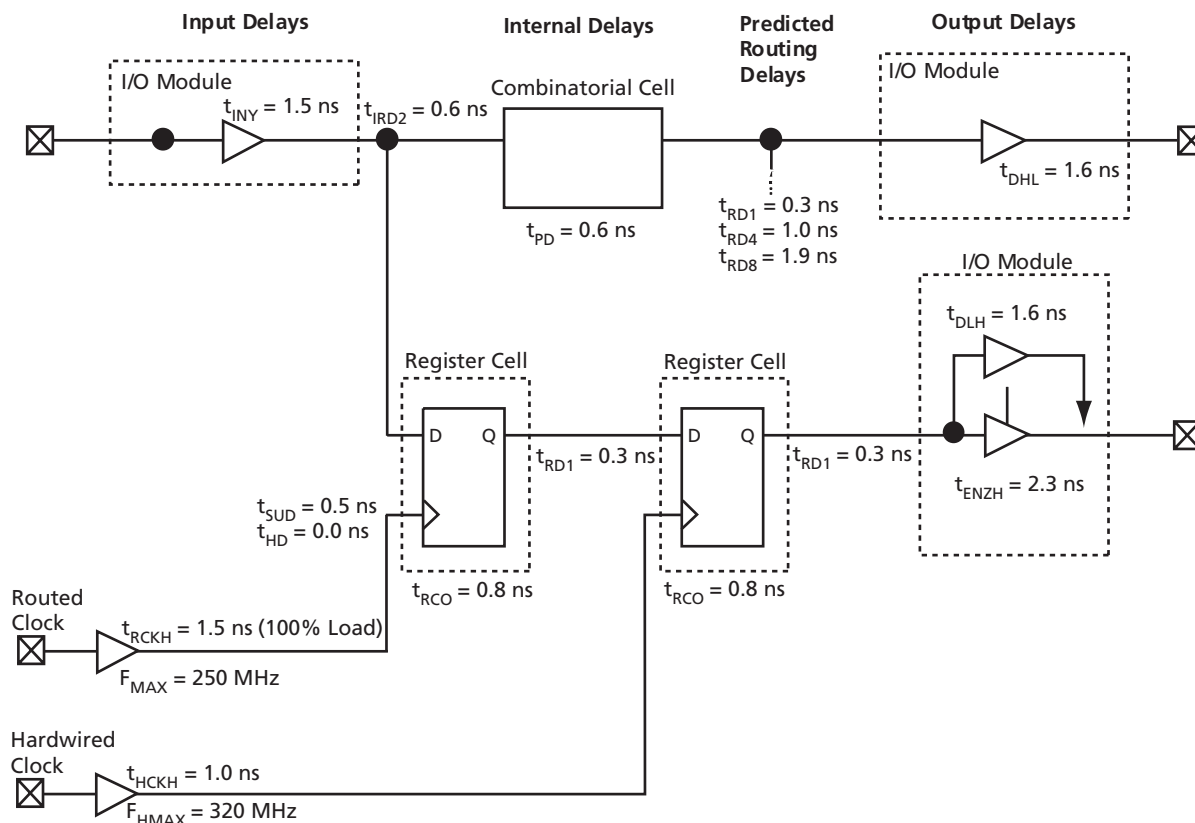
Table 1-16 • Temperature and Voltage Derating Factors\*

$V_{CCA}$	Junction Temperature						
	-55	-40	0	25	70	85	125
3.0	0.75	0.78	0.87	0.89	1.00	1.04	1.16
3.3	0.70	0.73	0.82	0.83	0.93	0.97	1.08
3.6	0.66	0.69	0.77	0.78	0.87	0.92	1.02

**Note:** \*Normalized to worst-case commercial,  $T_J = 70^\circ\text{C}$ ,  $V_{CCA} = 3.0\text{ V}$



## SX Timing Model



**Note:** Values shown for A54SX08-3, worst-case commercial conditions.

Figure 1-12 • SX Timing Model

### Hardwired Clock

$$\begin{aligned} \text{External Setup} &= t_{IN Y} + t_{IR D 1} + t_{SUD} - t_{HCKH} \\ &= 1.5 + 0.3 + 0.5 - 1.0 = 1.3 \text{ ns} \end{aligned}$$

EQ 1-15

### Clock-to-Out (Pin-to-Pin)

$$\begin{aligned} &= t_{HCKH} + t_{RCO} + t_{RD 1} + t_{DHL} \\ &= 1.0 + 0.8 + 0.3 + 1.6 = 3.7 \text{ ns} \end{aligned}$$

EQ 1-16

### Routed Clock

$$\begin{aligned} \text{External Setup} &= t_{IN Y} + t_{IR D 1} + t_{SUD} - t_{RCKH} \\ &= 1.5 + 0.3 + 0.5 - 1.5 = 0.8 \text{ ns} \end{aligned}$$

EQ 1-17

### Clock-to-Out (Pin-to-Pin)

$$\begin{aligned} &= t_{RCKH} + t_{RCO} + t_{RD 1} + t_{DHL} \\ &= 1.52 + 0.8 + 0.3 + 1.6 = 4.2 \text{ ns} \end{aligned}$$

EQ 1-18

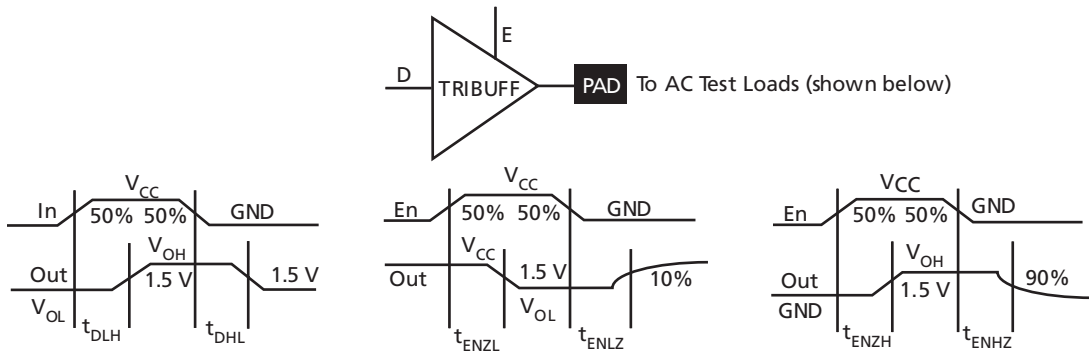


Figure 1-13 • Output Buffer Delays

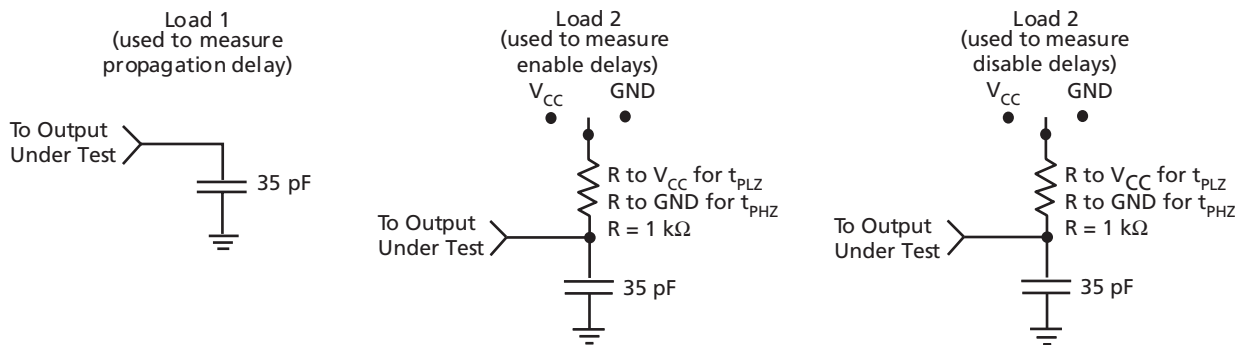


Figure 1-14 • AC Test Loads

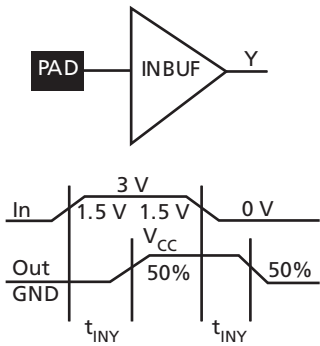


Figure 1-15 • Input Buffer Delays

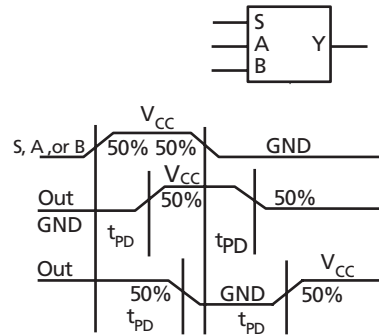


Figure 1-16 • C-Cell Delays

## Register Cell Timing Characteristics

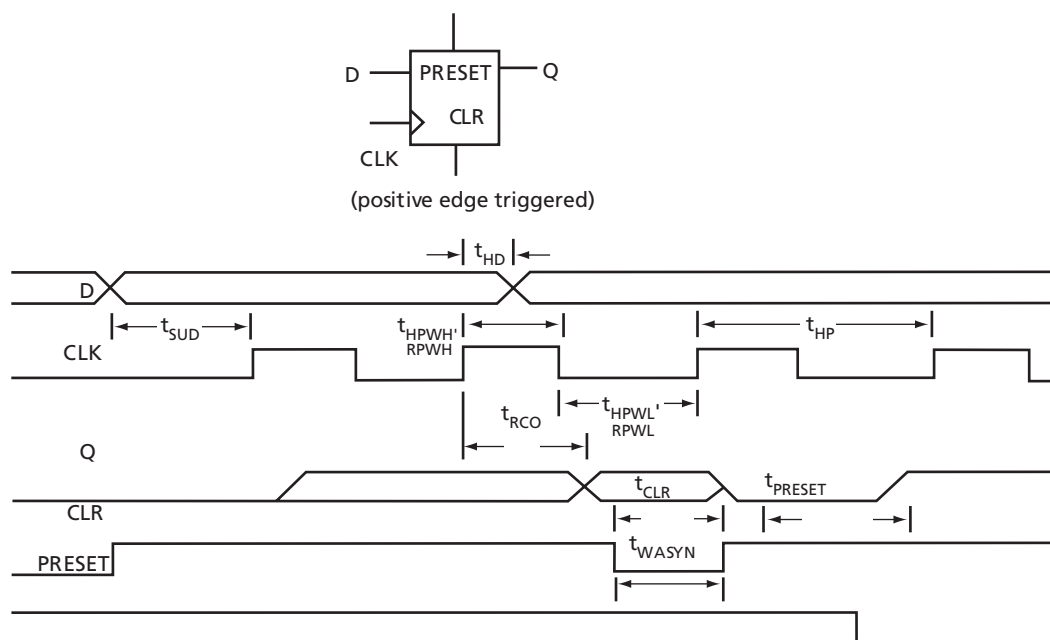


Figure 1-17 • Flip-Flops

## Timing Characteristics

Timing characteristics for SX devices fall into three categories: family-dependent, device-dependent, and design-dependent. The input and output buffer characteristics are common to all SX family members. Internal routing delays are device-dependent. Design dependency means actual delays are not determined until after placement and routing of the user's design is complete. Delay values may then be determined by using the DirectTime Analyzer utility or performing simulation with post-layout delays.

## Critical Nets and Typical Nets

Propagation delays are expressed only for typical nets, which are used for initial design performance evaluation. Critical net delays can then be applied to the most time-critical paths. Critical nets are determined by net property assignment prior to placement and routing. Up to 6% of the nets in a design may be designated as critical, while 90% of the nets in a design are typical.

## Long Tracks

Some nets in the design use long tracks. Long tracks are special routing resources that span multiple rows, columns, or modules. Long tracks employ three and sometimes five antifuse connections. This increases capacitance and resistance, resulting in longer net delays for macros connected to long tracks. Typically up to 6 percent of nets in a fully utilized device require long tracks. Long tracks contribute approximately 4 ns to 8.4 ns delay. This additional delay is represented statistically in higher fanout ( $FO = 24$ ) routing delays in the datasheet specifications section.

## Timing Derating

SX devices are manufactured in a CMOS process. Therefore, device performance varies according to temperature, voltage, and process variations. Minimum timing parameters reflect maximum operating voltage, minimum operating temperature, and best-case processing. Maximum timing parameters reflect minimum operating voltage, maximum operating temperature, and worst-case processing.

## A54SX08 Timing Characteristics

Table 1-17 • A54SX08 Timing Characteristics  
(Worst-Case Commercial Conditions,  $V_{CCR} = 4.75\text{ V}$ ,  $V_{CCA}, V_{CCI} = 3.0\text{ V}$ ,  $T_J = 70^\circ\text{C}$ )

Parameter	Description	'-3' Speed		'-2' Speed		'-1' Speed		'Std' Speed		Units
		Min.	Max.	Min.	Max.	Min.	Max.	Min.	Max.	
<b>C-Cell Propagation Delays<sup>1</sup></b>										
$t_{PD}$	Internal Array Module		0.6		0.7		0.8		0.9	ns
<b>Predicted Routing Delays<sup>2</sup></b>										
$t_{DC}$	FO = 1 Routing Delay, Direct Connect		0.1		0.1		0.1		0.1	ns
$t_{FC}$	FO = 1 Routing Delay, Fast Connect		0.3		0.4		0.4		0.5	ns
$t_{RD1}$	FO = 1 Routing Delay		0.3		0.4		0.4		0.5	ns
$t_{RD2}$	FO = 2 Routing Delay		0.6		0.7		0.8		0.9	ns
$t_{RD3}$	FO = 3 Routing Delay		0.8		0.9		1.0		1.2	ns
$t_{RD4}$	FO = 4 Routing Delay		1.0		1.2		1.4		1.6	ns
$t_{RD8}$	FO = 8 Routing Delay		1.9		2.2		2.5		2.9	ns
$t_{RD12}$	FO = 12 Routing Delay		2.8		3.2		3.7		4.3	ns
<b>R-Cell Timing</b>										
$t_{RCO}$	Sequential Clock-to-Q		0.8		1.1		1.2		1.4	ns
$t_{CLR}$	Asynchronous Clear-to-Q		0.5		0.6		0.7		0.8	ns
$t_{PRESET}$	Asynchronous Preset-to-Q		0.7		0.8		0.9		1.0	ns
$t_{SUD}$	Flip-Flop Data Input Set-Up	0.5		0.5		0.7		0.8		ns
$t_{HD}$	Flip-Flop Data Input Hold	0.0		0.0		0.0		0.0		ns
$t_{WASYN}$	Asynchronous Pulse Width	1.4		1.6		1.8		2.1		ns
<b>Input Module Propagation Delays</b>										
$t_{INYH}$	Input Data Pad-to-Y HIGH		1.5		1.7		1.9		2.2	ns
$t_{INYL}$	Input Data Pad-to-Y LOW		1.5		1.7		1.9		2.2	ns
<b>Input Module Predicted Routing Delays<sup>2</sup></b>										
$t_{IRD1}$	FO = 1 Routing Delay		0.3		0.4		0.4		0.5	ns
$t_{IRD2}$	FO = 2 Routing Delay		0.6		0.7		0.8		0.9	ns
$t_{IRD3}$	FO = 3 Routing Delay		0.8		0.9		1.0		1.2	ns
$t_{IRD4}$	FO = 4 Routing Delay		1.0		1.2		1.4		1.6	ns
$t_{IRD8}$	FO = 8 Routing Delay		1.9		2.2		2.5		2.9	ns
$t_{IRD12}$	FO = 12 Routing Delay		2.8		3.2		3.7		4.3	ns

**Note:**

- For dual-module macros, use  $t_{PD} + t_{RD1} + t_{PDn}$ ,  $t_{RCO} + t_{RD1} + t_{PDn}$ , or  $t_{PD1} + t_{RD1} + t_{SUD}$ , whichever is appropriate.
- Routing delays are for typical designs across worst-case operating conditions. These parameters should be used for estimating device performance. Post-route timing analysis or simulation is required to determine actual worst-case performance. Post-route timing is based on actual routing delay measurements performed on the device prior to shipment.

Table 1-17 • A54SX08 Timing Characteristics (Continued)  
 (Worst-Case Commercial Conditions,  $V_{CCR} = 4.75\text{ V}$ ,  $V_{CCA}, V_{CCI} = 3.0\text{ V}$ ,  $T_J = 70^\circ\text{C}$ )

Parameter	Description	'-3' Speed		'-2' Speed		'-1' Speed		'Std' Speed		Units
		Min.	Max.	Min.	Max.	Min.	Max.	Min.	Max.	
<b>Dedicated (Hardwired) Array Clock Network</b>										
$t_{HCKH}$	Input LOW to HIGH (pad to R-Cell input)		1.0		1.1		1.3		1.5	ns
$t_{HCKL}$	Input HIGH to LOW (pad to R-Cell input)		1.0		1.2		1.4		1.6	ns
$t_{HPWH}$	Minimum Pulse Width HIGH	1.4		1.6		1.8		2.1		ns
$t_{HPWL}$	Minimum Pulse Width LOW	1.4		1.6		1.8		2.1		ns
$t_{HCKSW}$	Maximum Skew		0.1		0.2		0.2		0.2	ns
$t_{HP}$	Minimum Period	2.7		3.1		3.6		4.2		ns
$f_{HMAX}$	Maximum Frequency		350		320		280		240	MHz
<b>Routed Array Clock Networks</b>										
$t_{RCKH}$	Input LOW to HIGH (light load) (pad to R-Cell input)		1.3		1.5		1.7		2.0	ns
$t_{RCKL}$	Input HIGH to LOW (light load) (pad to R-Cell Input)		1.4		1.6		1.8		2.1	ns
$t_{RCKH}$	Input LOW to HIGH (50% load) (pad to R-Cell input)		1.4		1.7		1.9		2.2	ns
$t_{RCKL}$	Input HIGH to LOW (50% load) (pad to R-Cell input)		1.5		1.7		2.0		2.3	ns
$t_{RCKH}$	Input LOW to HIGH (100% load) (pad to R-Cell input)		1.5		1.7		1.9		2.2	ns
$t_{RCKL}$	Input HIGH to LOW (100% load) (pad to R-Cell input)		1.5		1.8		2.0		2.3	ns
$t_{RPWH}$	Min. Pulse Width HIGH	2.1		2.4		2.7		3.2		ns
$t_{RPWL}$	Min. Pulse Width LOW	2.1		2.4		2.7		3.2		ns
$t_{RCKSW}$	Maximum Skew (light load)		0.1		0.2		0.2		0.2	ns
$t_{RCKSW}$	Maximum Skew (50% load)		0.3		0.3		0.4		0.4	ns
$t_{RCKSW}$	Maximum Skew (100% load)		0.3		0.3		0.4		0.4	ns
<b>TTL Output Module Timing<sup>1</sup></b>										
$t_{DLH}$	Data-to-Pad LOW to HIGH		1.6		1.9		2.1		2.5	ns
$t_{DHL}$	Data-to-Pad HIGH to LOW		1.6		1.9		2.1		2.5	ns
$t_{ENZL}$	Enable-to-Pad, Z to L		2.1		2.4		2.8		3.2	ns
$t_{ENZH}$	Enable-to-Pad, Z to H		2.3		2.7		3.1		3.6	ns
$t_{ENLZ}$	Enable-to-Pad, L to Z		1.4		1.7		1.9		2.2	ns

**Note:**

1. For dual-module macros, use  $t_{PD} + t_{RD1} + t_{PDn}$ ,  $t_{RCO} + t_{RD1} + t_{PDn}$ , or  $t_{PD1} + t_{RD1} + t_{SUD}$ , whichever is appropriate.
2. Routing delays are for typical designs across worst-case operating conditions. These parameters should be used for estimating device performance. Post-route timing analysis or simulation is required to determine actual worst-case performance. Post-route timing is based on actual routing delay measurements performed on the device prior to shipment.

## A54SX16 Timing Characteristics

Table 1-18 • A54SX16 Timing Characteristics  
(Worst-Case Commercial Conditions,  $V_{CCR} = 4.75\text{ V}$ ,  $V_{CCA}, V_{CCI} = 3.0\text{ V}$ ,  $T_J = 70^\circ\text{C}$ )

Parameter	Description	'-3' Speed		'-2' Speed		'-1' Speed		'Std' Speed		Units
		Min.	Max.	Min.	Max.	Min.	Max.	Min.	Max.	
<b>C-Cell Propagation Delays<sup>1</sup></b>										
$t_{PD}$	Internal Array Module		0.6		0.7		0.8		0.9	ns
<b>Predicted Routing Delays<sup>2</sup></b>										
$t_{DC}$	FO = 1 Routing Delay, Direct Connect		0.1		0.1		0.1		0.1	ns
$t_{FC}$	FO = 1 Routing Delay, Fast Connect		0.3		0.4		0.4		0.5	ns
$t_{RD1}$	FO = 1 Routing Delay		0.3		0.4		0.4		0.5	ns
$t_{RD2}$	FO = 2 Routing Delay		0.6		0.7		0.8		0.9	ns
$t_{RD3}$	FO = 3 Routing Delay		0.8		0.9		1.0		1.2	ns
$t_{RD4}$	FO = 4 Routing Delay		1.0		1.2		1.4		1.6	ns
$t_{RD8}$	FO = 8 Routing Delay		1.9		2.2		2.5		2.9	ns
$t_{RD12}$	FO = 12 Routing Delay		2.8		3.2		3.7		4.3	ns
<b>R-Cell Timing</b>										
$t_{RCO}$	Sequential Clock-to-Q		0.8		1.1		1.2		1.4	ns
$t_{CLR}$	Asynchronous Clear-to-Q		0.5		0.6		0.7		0.8	ns
$t_{PRESET}$	Asynchronous Preset-to-Q		0.7		0.8		0.9		1.0	ns
$t_{SUD}$	Flip-Flop Data Input Set-Up	0.5		0.5		0.7		0.8		ns
$t_{HD}$	Flip-Flop Data Input Hold	0.0		0.0		0.0		0.0		ns
$t_{WASYN}$	Asynchronous Pulse Width	1.4		1.6		1.8		2.1		ns
<b>Input Module Propagation Delays</b>										
$t_{INYH}$	Input Data Pad-to-Y HIGH		1.5		1.7		1.9		2.2	ns
$t_{INYL}$	Input Data Pad-to-Y LOW		1.5		1.7		1.9		2.2	ns
<b>Predicted Input Routing Delays<sup>2</sup></b>										
$t_{IRD1}$	FO = 1 Routing Delay		0.3		0.4		0.4		0.5	ns
$t_{IRD2}$	FO = 2 Routing Delay		0.6		0.7		0.8		0.9	ns
$t_{IRD3}$	FO = 3 Routing Delay		0.8		0.9		1.0		1.2	ns
$t_{IRD4}$	FO = 4 Routing Delay		1.0		1.2		1.4		1.6	ns
$t_{IRD8}$	FO = 8 Routing Delay		1.9		2.2		2.5		2.9	ns
$t_{IRD12}$	FO = 12 Routing Delay		2.8		3.2		3.7		4.3	ns

### Notes:

- For dual-module macros, use  $t_{PD} + t_{RD1} + t_{PDn}$ ,  $t_{RCO} + t_{RD1} + t_{PDn}$ , or  $t_{PD1} + t_{RD1} + t_{SUD}$ , whichever is appropriate.
- Routing delays are for typical designs across worst-case operating conditions. These parameters should be used for estimating device performance. Post-route timing analysis or simulation is required to determine actual worst-case performance. Post-route timing is based on actual routing delay measurements performed on the device prior to shipment.
- Delays based on 35 pF loading, except  $t_{ENZL}$  and  $t_{ENZH}$ . For  $t_{ENZL}$  and  $t_{ENZH}$ , the loading is 5 pF.

**Table 1-18 • A54SX16 Timing Characteristics (Continued)**  
**(Worst-Case Commercial Conditions,  $V_{CCR} = 4.75\text{ V}$ ,  $V_{CCA}, V_{CCI} = 3.0\text{ V}$ ,  $T_J = 70^\circ\text{C}$ )**

Parameter	Description	'-3' Speed		'-2' Speed		'-1' Speed		'Std' Speed		Units
		Min.	Max.	Min.	Max.	Min.	Max.	Min.	Max.	
<b>Dedicated (Hardwired) Array Clock Network</b>										
$t_{HCKH}$	Input LOW to HIGH (pad to R-Cell input)		1.2		1.4		1.5		1.8	ns
$t_{HCKL}$	Input HIGH to LOW (pad to R-Cell input)		1.2		1.4		1.6		1.9	ns
$t_{HPWH}$	Minimum Pulse Width HIGH	1.4		1.6		1.8		2.1		ns
$t_{HPWL}$	Minimum Pulse Width LOW	1.4		1.6		1.8		2.1		ns
$t_{HCKSW}$	Maximum Skew		0.2		0.2		0.3		0.3	ns
$t_{HP}$	Minimum Period	2.7		3.1		3.6		4.2		ns
$f_{HMAX}$	Maximum Frequency		350		320		280		240	MHz
<b>Routed Array Clock Networks</b>										
$t_{RCKH}$	Input LOW to HIGH (light load) (pad to R-Cell input)		1.6		1.8		2.1		2.5	ns
$t_{RCKL}$	Input HIGH to LOW (light load) (pad to R-Cell input)		1.8		2.0		2.3		2.7	ns
$t_{RCKH}$	Input LOW to HIGH (50% load) (pad to R-Cell input)		1.8		2.1		2.5		2.8	ns
$t_{RCKL}$	Input HIGH to LOW (50% load) (pad to R-Cell input)		2.0		2.2		2.5		3.0	ns
$t_{RCKH}$	Input LOW to HIGH (100% load) (pad to R-Cell input)		1.8		2.1		2.4		2.8	ns
$t_{RCKL}$	Input HIGH to LOW (100% load) (pad to R-Cell input)		2.0		2.2		2.5		3.0	ns
$t_{RPWH}$	Min. Pulse Width HIGH	2.1		2.4		2.7		3.2		ns
$t_{RPWL}$	Min. Pulse Width LOW	2.1		2.4		2.7		3.2		ns
$t_{RCKSW}$	Maximum Skew (light load)		0.5		0.5		0.5		0.7	ns
$t_{RCKSW}$	Maximum Skew (50% load)		0.5		0.6		0.7		0.8	ns
$t_{RCKSW}$	Maximum Skew (100% load)		0.5		0.6		0.7		0.8	ns
<b>TTL Output Module Timing<sup>3</sup></b>										
$t_{DLH}$	Data-to-Pad LOW to HIGH		1.6		1.9		2.1		2.5	ns
$t_{DHL}$	Data-to-Pad HIGH to LOW		1.6		1.9		2.1		2.5	ns
$t_{ENZL}$	Enable-to-Pad, Z to L		2.1		2.4		2.8		3.2	ns
$t_{ENZH}$	Enable-to-Pad, Z to H		2.3		2.7		3.1		3.6	ns
$t_{ENLZ}$	Enable-to-Pad, L to Z		1.4		1.7		1.9		2.2	ns
$t_{ENHZ}$	Enable-to-Pad, H to Z		1.3		1.5		1.7		2.0	ns

**Notes:**

1. For dual-module macros, use  $t_{PD} + t_{RD1} + t_{PDn}$ ,  $t_{RCO} + t_{RD1} + t_{PDn}$ , or  $t_{PD1} + t_{RD1} + t_{SUD}$ , whichever is appropriate.
2. Routing delays are for typical designs across worst-case operating conditions. These parameters should be used for estimating device performance. Post-route timing analysis or simulation is required to determine actual worst-case performance. Post-route timing is based on actual routing delay measurements performed on the device prior to shipment.
3. Delays based on 35 pF loading, except  $t_{ENZL}$  and  $t_{ENZH}$ . For  $t_{ENZL}$  and  $t_{ENZH}$ , the loading is 5 pF.

## A54SX16P Timing Characteristics

Table 1-19 • A54SX16P Timing Characteristics  
(Worst-Case Commercial Conditions,  $V_{CCR} = 4.75\text{ V}$ ,  $V_{CCA}, V_{CCI} = 3.0\text{ V}$ ,  $T_J = 70^\circ\text{C}$ )

Parameter	Description	'-3' Speed		'-2' Speed		'-1' Speed		'Std' Speed		Units
		Min.	Max.	Min.	Max.	Min.	Max.	Min.	Max.	
<b>C-Cell Propagation Delays<sup>1</sup></b>										
$t_{PD}$	Internal Array Module		0.6		0.7		0.8		0.9	ns
<b>Predicted Routing Delays<sup>2</sup></b>										
$t_{DC}$	FO = 1 Routing Delay, Direct Connect		0.1		0.1		0.1		0.1	ns
$t_{FC}$	FO = 1 Routing Delay, Fast Connect		0.3		0.4		0.4		0.5	ns
$t_{RD1}$	FO = 1 Routing Delay		0.3		0.4		0.4		0.5	ns
$t_{RD2}$	FO = 2 Routing Delay		0.6		0.7		0.8		0.9	ns
$t_{RD3}$	FO = 3 Routing Delay		0.8		0.9		1.0		1.2	ns
$t_{RD4}$	FO = 4 Routing Delay		1.0		1.2		1.4		1.6	ns
$t_{RD8}$	FO = 8 Routing Delay		1.9		2.2		2.5		2.9	ns
$t_{RD12}$	FO = 12 Routing Delay		2.8		3.2		3.7		4.3	ns
<b>R-Cell Timing</b>										
$t_{RCO}$	Sequential Clock-to-Q		0.9		1.1		1.3		1.4	ns
$t_{CLR}$	Asynchronous Clear-to-Q		0.5		0.6		0.7		0.8	ns
$t_{PRESET}$	Asynchronous Preset-to-Q		0.7		0.8		0.9		1.0	ns
$t_{SUD}$	Flip-Flop Data Input Set-Up	0.5		0.5		0.7		0.8		ns
$t_{HD}$	Flip-Flop Data Input Hold	0.0		0.0		0.0		0.0		ns
$t_{WASYN}$	Asynchronous Pulse Width	1.4		1.6		1.8		2.1		ns
<b>Input Module Propagation Delays</b>										
$t_{INYH}$	Input Data Pad-to-Y HIGH		1.5		1.7		1.9		2.2	ns
$t_{INYL}$	Input Data Pad-to-Y LOW		1.5		1.7		1.9		2.2	ns
<b>Predicted Input Routing Delays<sup>2</sup></b>										
$t_{IRD1}$	FO = 1 Routing Delay		0.3		0.4		0.4		0.5	ns
$t_{IRD2}$	FO = 2 Routing Delay		0.6		0.7		0.8		0.9	ns
$t_{IRD3}$	FO = 3 Routing Delay		0.8		0.9		1.0		1.2	ns
$t_{IRD4}$	FO = 4 Routing Delay		1.0		1.2		1.4		1.6	ns
$t_{IRD8}$	FO = 8 Routing Delay		1.9		2.2		2.5		2.9	ns
$t_{IRD12}$	FO = 12 Routing Delay		2.8		3.2		3.7		4.3	ns

**Note:**

- For dual-module macros, use  $t_{PD} + t_{RD1} + t_{PDn}$ ,  $t_{RCO} + t_{RD1} + t_{PDn}$ , or  $t_{PD1} + t_{RD1} + t_{SUD}$ , whichever is appropriate.
- Routing delays are for typical designs across worst-case operating conditions. These parameters should be used for estimating device performance. Post-route timing analysis or simulation is required to determine actual worst-case performance. Post-route timing is based on actual routing delay measurements performed on the device prior to shipment.
- Delays based on 10 pF loading.



Table 1-19 • A54SX16P Timing Characteristics (Continued)  
 (Worst-Case Commercial Conditions,  $V_{CCR} = 4.75\text{ V}$ ,  $V_{CCA}, V_{CCI} = 3.0\text{ V}$ ,  $T_J = 70^\circ\text{C}$ )

Parameter	Description	'-3' Speed		'-2' Speed		'-1' Speed		'Std' Speed		Units
		Min.	Max.	Min.	Max.	Min.	Max.	Min.	Max.	
<b>Dedicated (Hardwired) Array Clock Network</b>										
$t_{HCKH}$	Input LOW to HIGH (pad to R-Cell input)		1.2		1.4		1.5		1.8	ns
$t_{HCKL}$	Input HIGH to LOW (pad to R-Cell input)		1.2		1.4		1.6		1.9	ns
$t_{HPWH}$	Minimum Pulse Width HIGH	1.4		1.6		1.8		2.1		ns
$t_{HPWL}$	Minimum Pulse Width LOW	1.4		1.6		1.8		2.1		ns
$t_{HCKSW}$	Maximum Skew		0.2		0.2		0.3		0.3	ns
$t_{HP}$	Minimum Period	2.7		3.1		3.6		4.2		ns
$f_{HMAX}$	Maximum Frequency		350		320		280		240	MHz
<b>Routed Array Clock Networks</b>										
$t_{RCKH}$	Input LOW to HIGH (light load) (pad to R-Cell input)		1.6		1.8		2.1		2.5	ns
$t_{RCKL}$	Input HIGH to LOW (Light Load) (pad to R-Cell input)		1.8		2.0		2.3		2.7	ns
$t_{RCKH}$	Input LOW to HIGH (50% load) (pad to R-Cell input)		1.8		2.1		2.5		2.8	ns
$t_{RCKL}$	Input HIGH to LOW (50% load) (pad to R-Cell input)		2.0		2.2		2.5		3.0	ns
$t_{RCKH}$	Input LOW to HIGH (100% load) (pad to R-Cell input)		1.8		2.1		2.4		2.8	ns
$t_{RCKL}$	Input HIGH to LOW (100% load) (pad to R-Cell input)		2.0		2.2		2.5		3.0	ns
$t_{RPWH}$	Min. Pulse Width HIGH	2.1		2.4		2.7		3.2		ns
$t_{RPWL}$	Min. Pulse Width LOW	2.1		2.4		2.7		3.2		ns
$t_{RCKSW}$	Maximum Skew (light load)		0.5		0.5		0.5		0.7	ns
$t_{RCKSW}$	Maximum Skew (50% load)		0.5		0.6		0.7		0.8	ns
$t_{RCKSW}$	Maximum Skew (100% load)		0.5		0.6		0.7		0.8	ns
<b>TTL Output Module Timing</b>										
$t_{DLH}$	Data-to-Pad LOW to HIGH		2.4		2.8		3.1		3.7	ns
$t_{DHL}$	Data-to-Pad HIGH to LOW		2.3		2.9		3.2		3.8	ns
$t_{ENZL}$	Enable-to-Pad, Z to L		3.0		3.4		3.9		4.6	ns
$t_{ENZH}$	Enable-to-Pad, Z to H		3.3		3.8		4.3		5.0	ns
$t_{ENLZ}$	Enable-to-Pad, L to Z		2.3		2.7		3.0		3.5	ns
$t_{ENHZ}$	Enable-to-Pad, H to Z		2.8		3.2		3.7		4.3	ns

**Note:**

1. For dual-module macros, use  $t_{PD} + t_{RD1} + t_{PDn}$ ,  $t_{RCO} + t_{RD1} + t_{PDn}$ , or  $t_{PD1} + t_{RD1} + t_{SUD}$ , whichever is appropriate.
2. Routing delays are for typical designs across worst-case operating conditions. These parameters should be used for estimating device performance. Post-route timing analysis or simulation is required to determine actual worst-case performance. Post-route timing is based on actual routing delay measurements performed on the device prior to shipment.
3. Delays based on 10 pF loading.

Table 1-19 • A54SX16P Timing Characteristics (Continued)  
 (Worst-Case Commercial Conditions,  $V_{CCR} = 4.75\text{ V}$ ,  $V_{CCA}, V_{CCI} = 3.0\text{ V}$ ,  $T_J = 70^\circ\text{C}$ )

Parameter	Description	'-3' Speed		'-2' Speed		'-1' Speed		'Std' Speed		Units
		Min.	Max.	Min.	Max.	Min.	Max.	Min.	Max.	
<b>TTL/PCI Output Module Timing</b>										
$t_{DLH}$	Data-to-Pad LOW to HIGH		1.5		1.7		2.0		2.3	ns
$t_{DHL}$	Data-to-Pad HIGH to LOW		1.9		2.2		2.4		2.9	ns
$t_{ENZL}$	Enable-to-Pad, Z to L		2.3		2.6		3.0		3.5	ns
$t_{ENZH}$	Enable-to-Pad, Z to H		1.5		1.7		1.9		2.3	ns
$t_{ENLZ}$	Enable-to-Pad, L to Z		2.7		3.1		3.5		4.1	ns
$t_{ENHZ}$	Enable-to-Pad, H to Z		2.9		3.3		3.7		4.4	ns
<b>PCI Output Module Timing<sup>3</sup></b>										
$t_{DLH}$	Data-to-Pad LOW to HIGH		1.8		2.0		2.3		2.7	ns
$t_{DHL}$	Data-to-Pad HIGH to LOW		1.7		2.0		2.2		2.6	ns
$t_{ENZL}$	Enable-to-Pad, Z to L		0.8		1.0		1.1		1.3	ns
$t_{ENZH}$	Enable-to-Pad, Z to H		1.2		1.2		1.5		1.8	ns
$t_{ENLZ}$	Enable-to-Pad, L to Z		1.0		1.1		1.3		1.5	ns
$t_{ENHZ}$	Enable-to-Pad, H to Z		1.1		1.3		1.5		1.7	ns
<b>TTL Output Module Timing</b>										
$t_{DLH}$	Data-to-Pad LOW to HIGH		2.1		2.5		2.8		3.3	ns
$t_{DHL}$	Data-to-Pad HIGH to LOW		2.0		2.3		2.6		3.1	ns
$t_{ENZL}$	Enable-to-Pad, Z to L		2.5		2.9		3.2		3.8	ns
$t_{ENZH}$	Enable-to-Pad, Z to H		3.0		3.5		3.9		4.6	ns
$t_{ENLZ}$	Enable-to-Pad, L to Z		2.3		2.7		3.1		3.6	ns
$t_{ENHZ}$	Enable-to-Pad, H to Z		2.9		3.3		3.7		4.4	ns

**Note:**

1. For dual-module macros, use  $t_{PD} + t_{RD1} + t_{PDn}$ ,  $t_{RCO} + t_{RD1} + t_{PDn}$ , or  $t_{PD1} + t_{RD1} + t_{SUD}$ , whichever is appropriate.
2. Routing delays are for typical designs across worst-case operating conditions. These parameters should be used for estimating device performance. Post-route timing analysis or simulation is required to determine actual worst-case performance. Post-route timing is based on actual routing delay measurements performed on the device prior to shipment.
3. Delays based on 10 pF loading.

## A54SX32 Timing Characteristics

Table 1-20 • A54SX32 Timing Characteristics  
(Worst-Case Commercial Conditions,  $V_{CCR} = 4.75\text{ V}$ ,  $V_{CCA}, V_{CCI} = 3.0\text{ V}$ ,  $T_J = 70^\circ\text{C}$ )

Parameter	Description	'-3' Speed		'-2' Speed		'-1' Speed		'Std' Speed		Units
		Min.	Max.	Min.	Max.	Min.	Max.	Min.	Max.	
<b>C-Cell Propagation Delays<sup>1</sup></b>										
$t_{PD}$	Internal Array Module		0.6		0.7		0.8		0.9	ns
<b>Predicted Routing Delays<sup>2</sup></b>										
$t_{DC}$	FO = 1 Routing Delay, Direct Connect		0.1		0.1		0.1		0.1	ns
$t_{FC}$	FO = 1 Routing Delay, Fast Connect		0.3		0.4		0.4		0.5	ns
$t_{RD1}$	FO = 1 Routing Delay		0.3		0.4		0.4		0.5	ns
$t_{RD2}$	FO = 2 Routing Delay		0.7		0.8		0.9		1.0	ns
$t_{RD3}$	FO = 3 Routing Delay		1.0		1.2		1.4		1.6	ns
$t_{RD4}$	FO = 4 Routing Delay		1.4		1.6		1.8		2.1	ns
$t_{RD8}$	FO = 8 Routing Delay		2.7		3.1		3.5		4.1	ns
$t_{RD12}$	FO = 12 Routing Delay		4.0		4.7		5.3		6.2	ns
<b>R-Cell Timing</b>										
$t_{RCO}$	Sequential Clock-to-Q		0.8		1.1		1.3		1.4	ns
$t_{CLR}$	Asynchronous Clear-to-Q		0.5		0.6		0.7		0.8	ns
$t_{PRESET}$	Asynchronous Preset-to-Q		0.7		0.8		0.9		1.0	ns
$t_{SUD}$	Flip-Flop Data Input Set-Up	0.5		0.6		0.7		0.8		ns
$t_{HD}$	Flip-Flop Data Input Hold	0.0		0.0		0.0		0.0		ns
$t_{WASYN}$	Asynchronous Pulse Width	1.4		1.6		1.8		2.1		ns
<b>Input Module Propagation Delays</b>										
$t_{INYH}$	Input Data Pad-to-Y HIGH		1.5		1.7		1.9		2.2	ns
$t_{INYL}$	Input Data Pad-to-Y LOW		1.5		1.7		1.9		2.2	ns
<b>Predicted Input Routing Delays<sup>2</sup></b>										
$t_{IRD1}$	FO = 1 Routing Delay		0.3		0.4		0.4		0.5	ns
$t_{IRD2}$	FO = 2 Routing Delay		0.7		0.8		0.9		1.0	ns
$t_{IRD3}$	FO = 3 Routing Delay		1.0		1.2		1.4		1.6	ns
$t_{IRD4}$	FO = 4 Routing Delay		1.4		1.6		1.8		2.1	ns
$t_{IRD8}$	FO = 8 Routing Delay		2.7		3.1		3.5		4.1	ns
$t_{IRD12}$	FO = 12 Routing Delay		4.0		4.7		5.3		6.2	ns

**Note:**

1. For dual-module macros, use  $t_{PD} + t_{RD1} + t_{PDn}$ ,  $t_{RCO} + t_{RD1} + t_{PDn}$ , or  $t_{PD1} + t_{RD1} + t_{SUD}$ , whichever is appropriate.
2. Routing delays are for typical designs across worst-case operating conditions. These parameters should be used for estimating device performance. Post-route timing analysis or simulation is required to determine actual worst-case performance. Post-route timing is based on actual routing delay measurements performed on the device prior to shipment.
3. Delays based on 35 pF loading, except  $t_{ENZL}$  and  $t_{ENZH}$ . For  $t_{ENZL}$  and  $t_{ENZH}$  the loading is 5 pF.

Table 1-20 • A54SX32 Timing Characteristics (Continued)  
 (Worst-Case Commercial Conditions,  $V_{CCR} = 4.75\text{ V}$ ,  $V_{CCA}, V_{CCI} = 3.0\text{ V}$ ,  $T_J = 70^\circ\text{C}$ )

Parameter	Description	'-3' Speed		'-2' Speed		'-1' Speed		'Std' Speed		Units
		Min.	Max.	Min.	Max.	Min.	Max.	Min.	Max.	
<b>Dedicated (Hardwired) Array Clock Network</b>										
$t_{HCKH}$	Input LOW to HIGH (pad to R-Cell input)		1.9		2.1		2.4		2.8	ns
$t_{HCKL}$	Input HIGH to LOW (pad to R-Cell input)		1.9		2.1		2.4		2.8	ns
$t_{HPWH}$	Minimum Pulse Width HIGH	1.4		1.6		1.8		2.1		ns
$t_{HPWL}$	Minimum Pulse Width LOW	1.4		1.6		1.8		2.1		ns
$t_{HCKSW}$	Maximum Skew		0.3		0.4		0.4		0.5	ns
$t_{HP}$	Minimum Period	2.7		3.1		3.6		4.2		ns
$f_{HMAX}$	Maximum Frequency		350		320		280		240	MHz
<b>Routed Array Clock Networks</b>										
$t_{RCKH}$	Input LOW to HIGH (light load) (pad to R-Cell input)		2.4		2.7		3.0		3.5	ns
$t_{RCKL}$	Input HIGH to LOW (light load) (pad to R-Cell input)		2.4		2.7		3.1		3.6	ns
$t_{RCKH}$	Input LOW to HIGH (50% load) (pad to R-Cell input)		2.7		3.0		3.5		4.1	ns
$t_{RCKL}$	Input HIGH to LOW (50% load) (pad to R-Cell input)		2.7		3.1		3.6		4.2	ns
$t_{RCKH}$	Input LOW to HIGH (100% load) (pad to R-Cell input)		2.7		3.1		3.5		4.1	ns
$t_{RCKL}$	Input HIGH to LOW (100% load) (pad to R-Cell input)		2.8		3.2		3.6		4.3	ns
$t_{RPWH}$	Min. Pulse Width HIGH	2.1		2.4		2.7		3.2		ns
$t_{RPWL}$	Min. Pulse Width LOW	2.1		2.4		2.7		3.2		ns
$t_{RCKSW}$	Maximum Skew (light load)		0.85		0.98		1.1		1.3	ns
$t_{RCKSW}$	Maximum Skew (50% load)		1.23		1.4		1.6		1.9	ns
$t_{RCKSW}$	Maximum Skew (100% load)		1.30		1.5		1.7		2.0	ns
<b>TTL Output Module Timing<sup>3</sup></b>										
$t_{DLH}$	Data-to-Pad LOW to HIGH		1.6		1.9		2.1		2.5	ns
$t_{DHL}$	Data-to-Pad HIGH to LOW		1.6		1.9		2.1		2.5	ns
$t_{ENZL}$	Enable-to-Pad, Z to L		2.1		2.4		2.8		3.2	ns
$t_{ENZH}$	Enable-to-Pad, Z to H		2.3		2.7		3.1		3.6	ns
$t_{ENLZ}$	Enable-to-Pad, L to Z		1.4		1.7		1.9		2.2	ns
$t_{ENHZ}$	Enable-to-Pad, H to Z		1.3		1.5		1.7		2.0	ns

**Note:**

1. For dual-module macros, use  $t_{PD} + t_{RD1} + t_{PDn}$ ,  $t_{RCO} + t_{RD1} + t_{PDn}$ , or  $t_{PD1} + t_{RD1} + t_{SUD}$ , whichever is appropriate.
2. Routing delays are for typical designs across worst-case operating conditions. These parameters should be used for estimating device performance. Post-route timing analysis or simulation is required to determine actual worst-case performance. Post-route timing is based on actual routing delay measurements performed on the device prior to shipment.
3. Delays based on 35 pF loading, except  $t_{ENZL}$  and  $t_{ENZH}$ . For  $t_{ENZL}$  and  $t_{ENZH}$  the loading is 5 pF.

## Pin Description

### CLKA/B                      Clock A and B

These pins are 3.3 V / 5.0 V PCI/TTL clock inputs for clock distribution networks. The clock input is buffered prior to clocking the R-cells. If not used, this pin must be set LOW or HIGH on the board. It must not be left floating. (For A54SX72A, these clocks can be configured as bidirectional.)

### GND                          Ground

LOW supply voltage.

### HCLK                        Dedicated (hardwired) Array Clock

This pin is the 3.3 V / 5.0 V PCI/TTL clock input for sequential modules. This input is directly wired to each R-cell and offers clock speeds independent of the number of R-cells being driven. If not used, this pin must be set LOW or HIGH on the board. It must not be left floating.

### I/O                            Input/Output

The I/O pin functions as an input, output, tristate, or bidirectional buffer. Based on certain configurations, input and output levels are compatible with standard TTL, LVTTTL, 3.3 V PCI or 5.0 V PCI specifications. Unused I/O pins are automatically tristated by the Designer Series software.

### NC                            No Connection

This pin is not connected to circuitry within the device.

### PRA, I/O                    Probe A

The Probe A pin is used to output data from any user-defined design node within the device. This independent diagnostic pin can be used in conjunction with the Probe B pin to allow real-time diagnostic output of any signal path within the device. The Probe A pin can be used as a user-defined I/O when verification has been completed. The pin's probe capabilities can be permanently disabled to protect programmed design confidentiality.

### PRB, I/O                    Probe B

The Probe B pin is used to output data from any node within the device. This diagnostic pin can be used in conjunction with the Probe A pin to allow real-time diagnostic output of any signal path within the device. The Probe B pin can be used as a user-defined I/O when verification has been completed. The pin's probe capabilities can be permanently disabled to protect programmed design confidentiality.

### TCK                          Test Clock

Test clock input for diagnostic probe and device programming. In flexible mode, TCK becomes active when the TMS pin is set LOW (refer to [Table 1-2 on page 1-6](#)). This pin functions as an I/O when the boundary scan state machine reaches the "logic reset" state.

### TDI                          Test Data Input

Serial input for boundary scan testing and diagnostic probe. In flexible mode, TDI is active when the TMS pin is set LOW (refer to [Table 1-2 on page 1-6](#)). This pin functions as an I/O when the boundary scan state machine reaches the "logic reset" state.

### TDO                          Test Data Output

Serial output for boundary scan testing. In flexible mode, TDO is active when the TMS pin is set LOW (refer to [Table 1-2 on page 1-6](#)). This pin functions as an I/O when the boundary scan state machine reaches the "logic reset" state.

### TMS                          Test Mode Select

The TMS pin controls the use of the IEEE 1149.1 Boundary Scan pins (TCK, TDI, TDO). In flexible mode when the TMS pin is set LOW, the TCK, TDI, and TDO pins are boundary scan pins (refer to [Table 1-2 on page 1-6](#)). Once the boundary scan pins are in test mode, they will remain in that mode until the internal boundary scan state machine reaches the "logic reset" state. At this point, the boundary scan pins will be released and will function as regular I/O pins. The "logic reset" state is reached 5 TCK cycles after the TMS pin is set HIGH. In dedicated test mode, TMS functions as specified in the IEEE 1149.1 specifications.

### V<sub>CCI</sub>                        Supply Voltage

Supply voltage for I/Os. See [Table 1-1 on page 1-5](#).

### V<sub>CCA</sub>                        Supply Voltage

Supply voltage for Array. See [Table 1-1 on page 1-5](#).

### V<sub>CCR</sub>                        Supply Voltage

Supply voltage for input tolerance (required for internal biasing). See [Table 1-1 on page 1-5](#).



---

# Package Pin Assignments

---

## 84-Pin PLCC

---

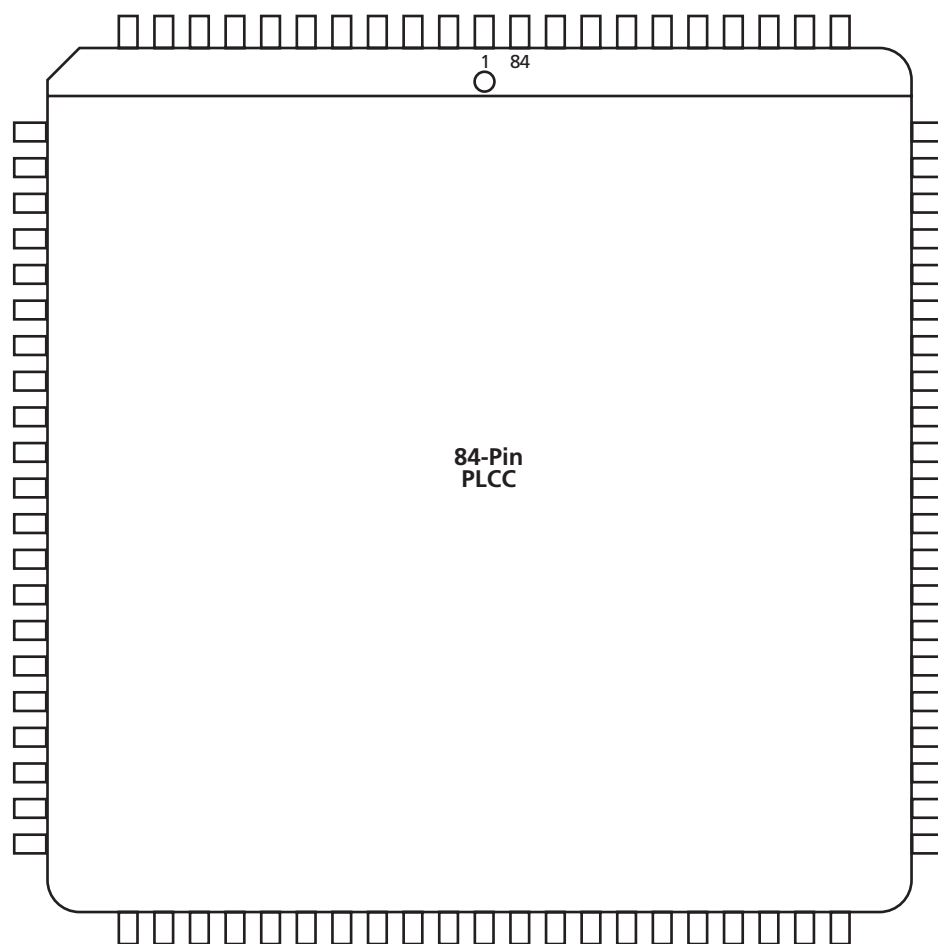


Figure 2-1 • 84-Pin PLCC (Top View)

### Note

For Package Manufacturing and Environmental information, visit the Package Resource center at <http://www.actel.com/products/rescenter/package/index.html>.

84-Pin PLCC	
Pin Number	A54SX08 Function
1	V <sub>CCR</sub>
2	GND
3	V <sub>CCA</sub>
4	PRA, I/O
5	I/O
6	I/O
7	V <sub>CCI</sub>
8	I/O
9	I/O
10	I/O
11	TCK, I/O
12	TDI, I/O
13	I/O
14	I/O
15	I/O
16	TMS
17	I/O
18	I/O
19	I/O
20	I/O
21	I/O
22	I/O
23	I/O
24	I/O
25	I/O
26	I/O
27	GND
28	V <sub>CCI</sub>
29	I/O
30	I/O
31	I/O
32	I/O
33	I/O
34	I/O
35	I/O

84-Pin PLCC	
Pin Number	A54SX08 Function
36	I/O
37	I/O
38	I/O
39	I/O
40	PRB, I/O
41	V <sub>CCA</sub>
42	GND
43	V <sub>CCR</sub>
44	I/O
45	HCLK
46	I/O
47	I/O
48	I/O
49	I/O
50	I/O
51	I/O
52	TDO, I/O
53	I/O
54	I/O
55	I/O
56	I/O
57	I/O
58	I/O
59	V <sub>CCA</sub>
60	V <sub>CCI</sub>
61	GND
62	I/O
63	I/O
64	I/O
65	I/O
66	I/O
67	I/O
68	V <sub>CCA</sub>
69	GND
70	I/O

84-Pin PLCC	
Pin Number	A54SX08 Function
71	I/O
72	I/O
73	I/O
74	I/O
75	I/O
76	I/O
77	I/O
78	I/O
79	I/O
80	I/O
81	I/O
82	I/O
83	CLKA
84	CLKB



## 208-Pin PQFP

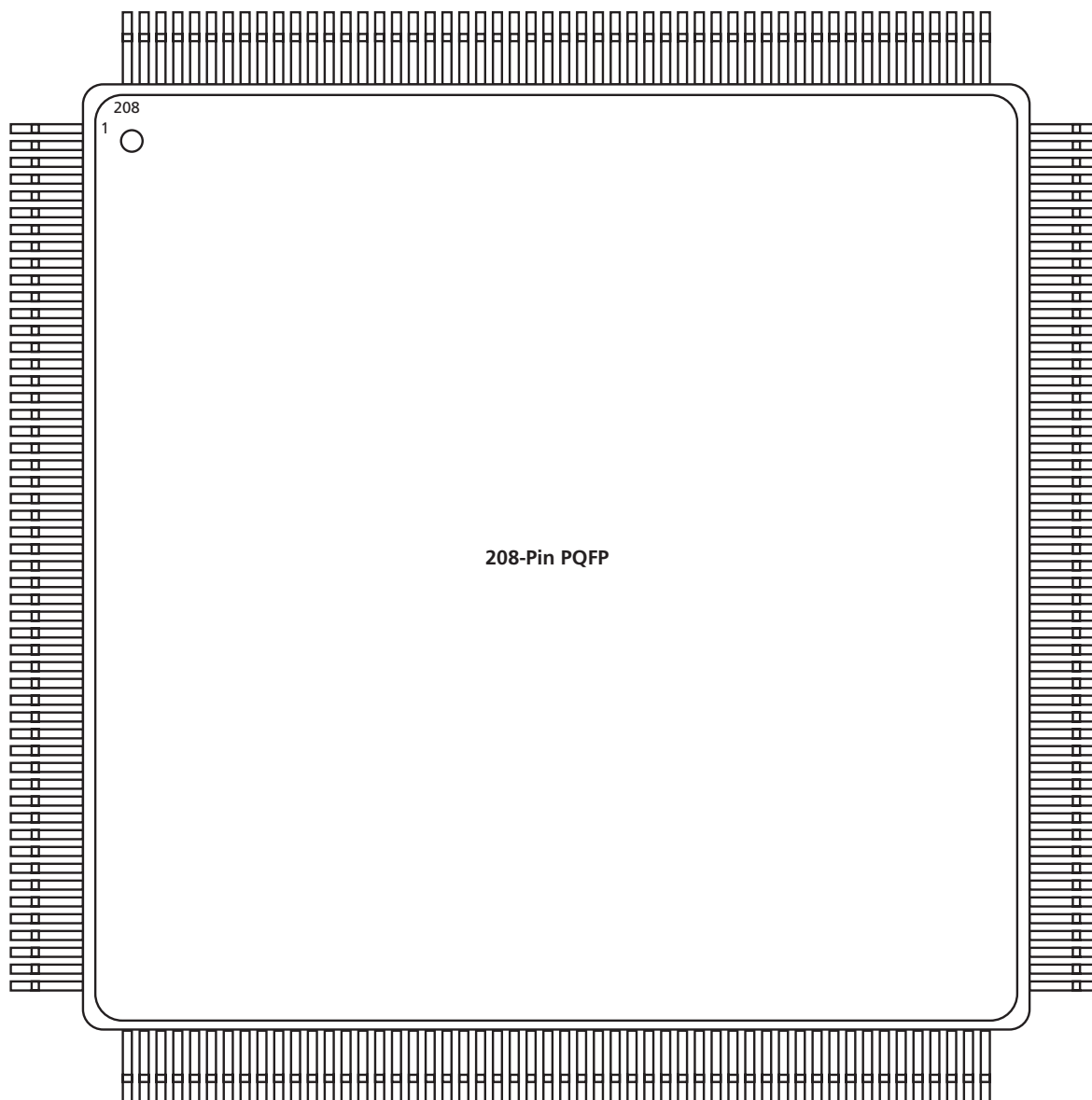


Figure 2-2 • 208-Pin PQFP (Top View)

### Note

For Package Manufacturing and Environmental information, visit the Package Resource center at <http://www.actel.com/products/rescenter/package/index.html>.

208-Pin PQFP			
Pin Number	A54SX08 Function	A54SX16, A54SX16P Function	A54SX32 Function
1	GND	GND	GND
2	TDI, I/O	TDI, I/O	TDI, I/O
3	I/O	I/O	I/O
4	NC	I/O	I/O
5	I/O	I/O	I/O
6	NC	I/O	I/O
7	I/O	I/O	I/O
8	I/O	I/O	I/O
9	I/O	I/O	I/O
10	I/O	I/O	I/O
11	TMS	TMS	TMS
12	V <sub>CCI</sub>	V <sub>CCI</sub>	V <sub>CCI</sub>
13	I/O	I/O	I/O
14	NC	I/O	I/O
15	I/O	I/O	I/O
16	I/O	I/O	I/O
17	NC	I/O	I/O
18	I/O	I/O	I/O
19	I/O	I/O	I/O
20	NC	I/O	I/O
21	I/O	I/O	I/O
22	I/O	I/O	I/O
23	NC	I/O	I/O
24	I/O	I/O	I/O
25	V <sub>CCR</sub>	V <sub>CCR</sub>	V <sub>CCR</sub>
26	GND	GND	GND
27	V <sub>CCA</sub>	V <sub>CCA</sub>	V <sub>CCA</sub>
28	GND	GND	GND
29	I/O	I/O	I/O
30	I/O	I/O	I/O
31	NC	I/O	I/O
32	I/O	I/O	I/O
33	I/O	I/O	I/O
34	I/O	I/O	I/O
35	NC	I/O	I/O
36	I/O	I/O	I/O

208-Pin PQFP			
Pin Number	A54SX08 Function	A54SX16, A54SX16P Function	A54SX32 Function
37	I/O	I/O	I/O
38	I/O	I/O	I/O
39	NC	I/O	I/O
40	V <sub>CCI</sub>	V <sub>CCI</sub>	V <sub>CCI</sub>
41	V <sub>CCA</sub>	V <sub>CCA</sub>	V <sub>CCA</sub>
42	I/O	I/O	I/O
43	I/O	I/O	I/O
44	I/O	I/O	I/O
45	I/O	I/O	I/O
46	I/O	I/O	I/O
47	I/O	I/O	I/O
48	NC	I/O	I/O
49	I/O	I/O	I/O
50	NC	I/O	I/O
51	I/O	I/O	I/O
52	GND	GND	GND
53	I/O	I/O	I/O
54	I/O	I/O	I/O
55	I/O	I/O	I/O
56	I/O	I/O	I/O
57	I/O	I/O	I/O
58	I/O	I/O	I/O
59	I/O	I/O	I/O
60	V <sub>CCI</sub>	V <sub>CCI</sub>	V <sub>CCI</sub>
61	NC	I/O	I/O
62	I/O	I/O	I/O
63	I/O	I/O	I/O
64	NC	I/O	I/O
65*	I/O	I/O	NC*
66	I/O	I/O	I/O
67	NC	I/O	I/O
68	I/O	I/O	I/O
69	I/O	I/O	I/O
70	NC	I/O	I/O
71	I/O	I/O	I/O
72	I/O	I/O	I/O

**Note:** \* Note that Pin 65 in the A54SX32—PQ208 is a no connect (NC).

208-Pin PQFP			
Pin Number	A545X08 Function	A545X16, A545X16P Function	A545X32 Function
73	NC	I/O	I/O
74	I/O	I/O	I/O
75	NC	I/O	I/O
76	PRB, I/O	PRB, I/O	PRB, I/O
77	GND	GND	GND
78	V <sub>CCA</sub>	V <sub>CCA</sub>	V <sub>CCA</sub>
79	GND	GND	GND
80	V <sub>CCR</sub>	V <sub>CCR</sub>	V <sub>CCR</sub>
81	I/O	I/O	I/O
82	HCLK	HCLK	HCLK
83	I/O	I/O	I/O
84	I/O	I/O	I/O
85	NC	I/O	I/O
86	I/O	I/O	I/O
87	I/O	I/O	I/O
88	NC	I/O	I/O
89	I/O	I/O	I/O
90	I/O	I/O	I/O
91	NC	I/O	I/O
92	I/O	I/O	I/O
93	I/O	I/O	I/O
94	NC	I/O	I/O
95	I/O	I/O	I/O
96	I/O	I/O	I/O
97	NC	I/O	I/O
98	V <sub>CCI</sub>	V <sub>CCI</sub>	V <sub>CCI</sub>
99	I/O	I/O	I/O
100	I/O	I/O	I/O
101	I/O	I/O	I/O
102	I/O	I/O	I/O
103	TDO, I/O	TDO, I/O	TDO, I/O
104	I/O	I/O	I/O
105	GND	GND	GND
106	NC	I/O	I/O
107	I/O	I/O	I/O
108	NC	I/O	I/O

208-Pin PQFP			
Pin Number	A545X08 Function	A545X16, A545X16P Function	A545X32 Function
109	I/O	I/O	I/O
110	I/O	I/O	I/O
111	I/O	I/O	I/O
112	I/O	I/O	I/O
113	I/O	I/O	I/O
114	V <sub>CCA</sub>	V <sub>CCA</sub>	V <sub>CCA</sub>
115	V <sub>CCI</sub>	V <sub>CCI</sub>	V <sub>CCI</sub>
116	NC	I/O	I/O
117	I/O	I/O	I/O
118	I/O	I/O	I/O
119	NC	I/O	I/O
120	I/O	I/O	I/O
121	I/O	I/O	I/O
122	NC	I/O	I/O
123	I/O	I/O	I/O
124	I/O	I/O	I/O
125	NC	I/O	I/O
126	I/O	I/O	I/O
127	I/O	I/O	I/O
128	I/O	I/O	I/O
129	GND	GND	GND
130	V <sub>CCA</sub>	V <sub>CCA</sub>	V <sub>CCA</sub>
131	GND	GND	GND
132	V <sub>CCR</sub>	V <sub>CCR</sub>	V <sub>CCR</sub>
133	I/O	I/O	I/O
134	I/O	I/O	I/O
135	NC	I/O	I/O
136	I/O	I/O	I/O
137	I/O	I/O	I/O
138	NC	I/O	I/O
139	I/O	I/O	I/O
140	I/O	I/O	I/O
141	NC	I/O	I/O
142	I/O	I/O	I/O
143	NC	I/O	I/O
144	I/O	I/O	I/O

**Note:** \* Note that Pin 65 in the A545X32—PQ208 is a no connect (NC).

208-Pin PQFP			
Pin Number	A54SX08 Function	A54SX16, A54SX16P Function	A54SX32 Function
145	V <sub>CCA</sub>	V <sub>CCA</sub>	V <sub>CCA</sub>
146	GND	GND	GND
147	I/O	I/O	I/O
148	V <sub>CCI</sub>	V <sub>CCI</sub>	V <sub>CCI</sub>
149	I/O	I/O	I/O
150	I/O	I/O	I/O
151	I/O	I/O	I/O
152	I/O	I/O	I/O
153	I/O	I/O	I/O
154	I/O	I/O	I/O
155	NC	I/O	I/O
156	NC	I/O	I/O
157	GND	GND	GND
158	I/O	I/O	I/O
159	I/O	I/O	I/O
160	I/O	I/O	I/O
161	I/O	I/O	I/O
162	I/O	I/O	I/O
163	I/O	I/O	I/O
164	V <sub>CCI</sub>	V <sub>CCI</sub>	V <sub>CCI</sub>
165	I/O	I/O	I/O
166	I/O	I/O	I/O
167	NC	I/O	I/O
168	I/O	I/O	I/O
169	I/O	I/O	I/O
170	NC	I/O	I/O
171	I/O	I/O	I/O
172	I/O	I/O	I/O
173	NC	I/O	I/O
174	I/O	I/O	I/O
175	I/O	I/O	I/O
176	NC	I/O	I/O
177	I/O	I/O	I/O
178	I/O	I/O	I/O
179	I/O	I/O	I/O
180	CLKA	CLKA	CLKA

208-Pin PQFP			
Pin Number	A54SX08 Function	A54SX16, A54SX16P Function	A54SX32 Function
181	CLKB	CLKB	CLKB
182	V <sub>CCR</sub>	V <sub>CCR</sub>	V <sub>CCR</sub>
183	GND	GND	GND
184	V <sub>CCA</sub>	V <sub>CCA</sub>	V <sub>CCA</sub>
185	GND	GND	GND
186	PRA, I/O	PRA, I/O	PRA, I/O
187	I/O	I/O	I/O
188	I/O	I/O	I/O
189	NC	I/O	I/O
190	I/O	I/O	I/O
191	I/O	I/O	I/O
192	NC	I/O	I/O
193	I/O	I/O	I/O
194	I/O	I/O	I/O
195	NC	I/O	I/O
196	I/O	I/O	I/O
197	I/O	I/O	I/O
198	NC	I/O	I/O
199	I/O	I/O	I/O
200	I/O	I/O	I/O
201	V <sub>CCI</sub>	V <sub>CCI</sub>	V <sub>CCI</sub>
202	NC	I/O	I/O
203	NC	I/O	I/O
204	I/O	I/O	I/O
205	NC	I/O	I/O
206	I/O	I/O	I/O
207	I/O	I/O	I/O
208	TCK, I/O	TCK, I/O	TCK, I/O

**Note:** \* Note that Pin 65 in the A54SX32—PQ208 is a no connect (NC).

## 144-Pin TQFP

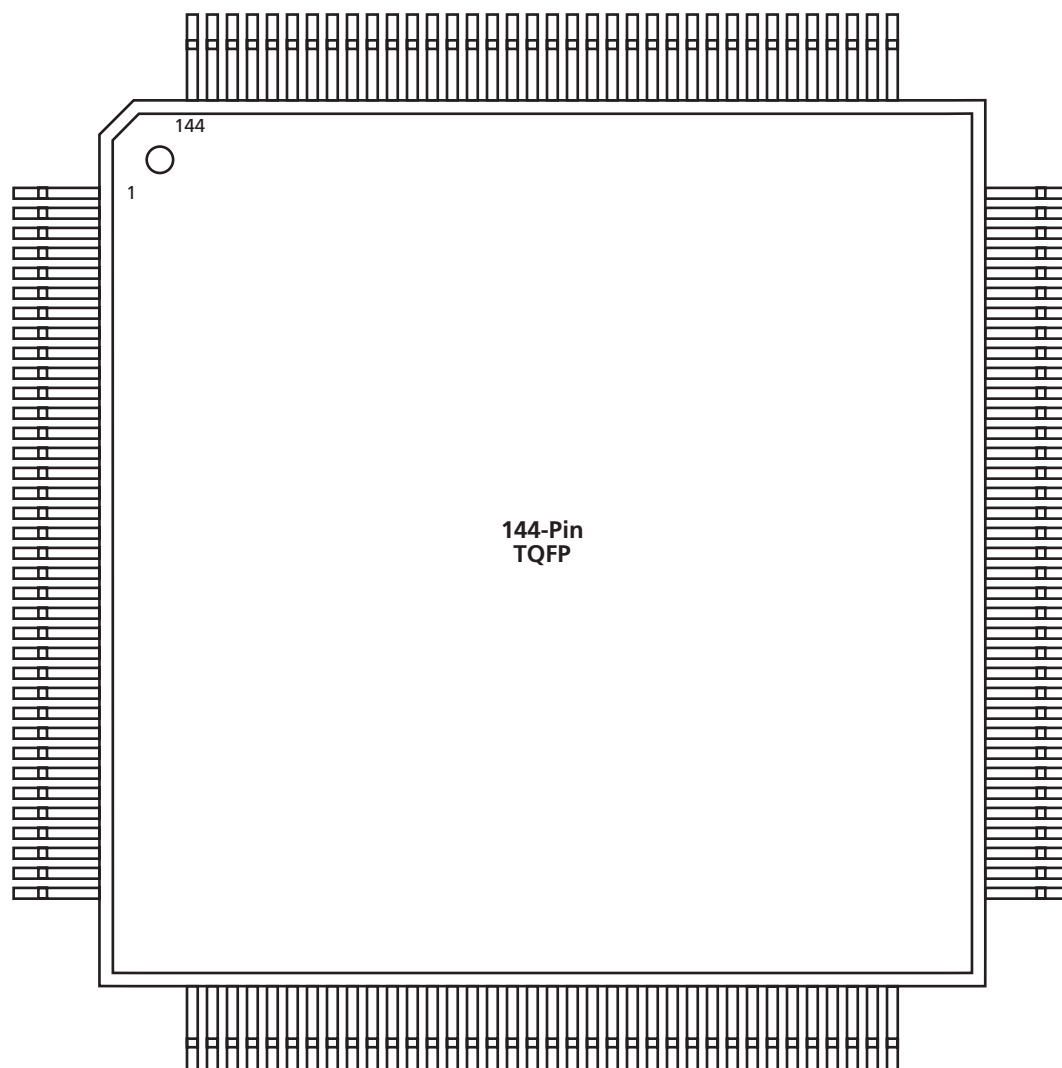


Figure 2-3 • 144-Pin TQFP (Top View)

### Note

For Package Manufacturing and Environmental information, visit the Package Resource center at <http://www.actel.com/products/rescenter/package/index.html>.

144-Pin TQFP			
Pin Number	A54SX08 Function	A54SX16P Function	A54SX32 Function
1	GND	GND	GND
2	TDI, I/O	TDI, I/O	TDI, I/O
3	I/O	I/O	I/O
4	I/O	I/O	I/O
5	I/O	I/O	I/O
6	I/O	I/O	I/O
7	I/O	I/O	I/O
8	I/O	I/O	I/O
9	TMS	TMS	TMS
10	V <sub>CCI</sub>	V <sub>CCI</sub>	V <sub>CCI</sub>
11	GND	GND	GND
12	I/O	I/O	I/O
13	I/O	I/O	I/O
14	I/O	I/O	I/O
15	I/O	I/O	I/O
16	I/O	I/O	I/O
17	I/O	I/O	I/O
18	I/O	I/O	I/O
19	V <sub>CCR</sub>	V <sub>CCR</sub>	V <sub>CCR</sub>
20	V <sub>CCA</sub>	V <sub>CCA</sub>	V <sub>CCA</sub>
21	I/O	I/O	I/O
22	I/O	I/O	I/O
23	I/O	I/O	I/O
24	I/O	I/O	I/O
25	I/O	I/O	I/O
26	I/O	I/O	I/O
27	I/O	I/O	I/O
28	GND	GND	GND
29	V <sub>CCI</sub>	V <sub>CCI</sub>	V <sub>CCI</sub>
30	V <sub>CCA</sub>	V <sub>CCA</sub>	V <sub>CCA</sub>
31	I/O	I/O	I/O
32	I/O	I/O	I/O
33	I/O	I/O	I/O
34	I/O	I/O	I/O
35	I/O	I/O	I/O
36	GND	GND	GND

144-Pin TQFP			
Pin Number	A54SX08 Function	A54SX16P Function	A54SX32 Function
37	I/O	I/O	I/O
38	I/O	I/O	I/O
39	I/O	I/O	I/O
40	I/O	I/O	I/O
41	I/O	I/O	I/O
42	I/O	I/O	I/O
43	I/O	I/O	I/O
44	V <sub>CCI</sub>	V <sub>CCI</sub>	V <sub>CCI</sub>
45	I/O	I/O	I/O
46	I/O	I/O	I/O
47	I/O	I/O	I/O
48	I/O	I/O	I/O
49	I/O	I/O	I/O
50	I/O	I/O	I/O
51	I/O	I/O	I/O
52	I/O	I/O	I/O
53	I/O	I/O	I/O
54	PRB, I/O	PRB, I/O	PRB, I/O
55	I/O	I/O	I/O
56	V <sub>CCA</sub>	V <sub>CCA</sub>	V <sub>CCA</sub>
57	GND	GND	GND
58	V <sub>CCR</sub>	V <sub>CCR</sub>	V <sub>CCR</sub>
59	I/O	I/O	I/O
60	HCLK	HCLK	HCLK
61	I/O	I/O	I/O
62	I/O	I/O	I/O
63	I/O	I/O	I/O
64	I/O	I/O	I/O
65	I/O	I/O	I/O
66	I/O	I/O	I/O
67	I/O	I/O	I/O
68	V <sub>CCI</sub>	V <sub>CCI</sub>	V <sub>CCI</sub>
69	I/O	I/O	I/O
70	I/O	I/O	I/O
71	TDO, I/O	TDO, I/O	TDO, I/O
72	I/O	I/O	I/O

144-Pin TQFP			
Pin Number	A54SX08 Function	A54SX16P Function	A54SX32 Function
73	GND	GND	GND
74	I/O	I/O	I/O
75	I/O	I/O	I/O
76	I/O	I/O	I/O
77	I/O	I/O	I/O
78	I/O	I/O	I/O
79	V <sub>CCA</sub>	V <sub>CCA</sub>	V <sub>CCA</sub>
80	V <sub>CCI</sub>	V <sub>CCI</sub>	V <sub>CCI</sub>
81	GND	GND	GND
82	I/O	I/O	I/O
83	I/O	I/O	I/O
84	I/O	I/O	I/O
85	I/O	I/O	I/O
86	I/O	I/O	I/O
87	I/O	I/O	I/O
88	I/O	I/O	I/O
89	V <sub>CCA</sub>	V <sub>CCA</sub>	V <sub>CCA</sub>
90	V <sub>CCR</sub>	V <sub>CCR</sub>	V <sub>CCR</sub>
91	I/O	I/O	I/O
92	I/O	I/O	I/O
93	I/O	I/O	I/O
94	I/O	I/O	I/O
95	I/O	I/O	I/O
96	I/O	I/O	I/O
97	I/O	I/O	I/O
98	V <sub>CCA</sub>	V <sub>CCA</sub>	V <sub>CCA</sub>
99	GND	GND	GND
100	I/O	I/O	I/O
101	GND	GND	GND
102	V <sub>CCI</sub>	V <sub>CCI</sub>	V <sub>CCI</sub>
103	I/O	I/O	I/O
104	I/O	I/O	I/O
105	I/O	I/O	I/O
106	I/O	I/O	I/O
107	I/O	I/O	I/O
108	I/O	I/O	I/O

144-Pin TQFP			
Pin Number	A54SX08 Function	A54SX16P Function	A54SX32 Function
109	GND	GND	GND
110	I/O	I/O	I/O
111	I/O	I/O	I/O
112	I/O	I/O	I/O
113	I/O	I/O	I/O
114	I/O	I/O	I/O
115	V <sub>CCI</sub>	V <sub>CCI</sub>	V <sub>CCI</sub>
116	I/O	I/O	I/O
117	I/O	I/O	I/O
118	I/O	I/O	I/O
119	I/O	I/O	I/O
120	I/O	I/O	I/O
121	I/O	I/O	I/O
122	I/O	I/O	I/O
123	I/O	I/O	I/O
124	I/O	I/O	I/O
125	CLKA	CLKA	CLKA
126	CLKB	CLKB	CLKB
127	V <sub>CCR</sub>	V <sub>CCR</sub>	V <sub>CCR</sub>
128	GND	GND	GND
129	V <sub>CCA</sub>	V <sub>CCA</sub>	V <sub>CCA</sub>
130	I/O	I/O	I/O
131	PRA, I/O	PRA, I/O	PRA, I/O
132	I/O	I/O	I/O
133	I/O	I/O	I/O
134	I/O	I/O	I/O
135	I/O	I/O	I/O
136	I/O	I/O	I/O
137	I/O	I/O	I/O
138	I/O	I/O	I/O
139	I/O	I/O	I/O
140	V <sub>CCI</sub>	V <sub>CCI</sub>	V <sub>CCI</sub>
141	I/O	I/O	I/O
142	I/O	I/O	I/O
143	I/O	I/O	I/O
144	TCK, I/O	TCK, I/O	TCK, I/O

## 176-Pin TQFP

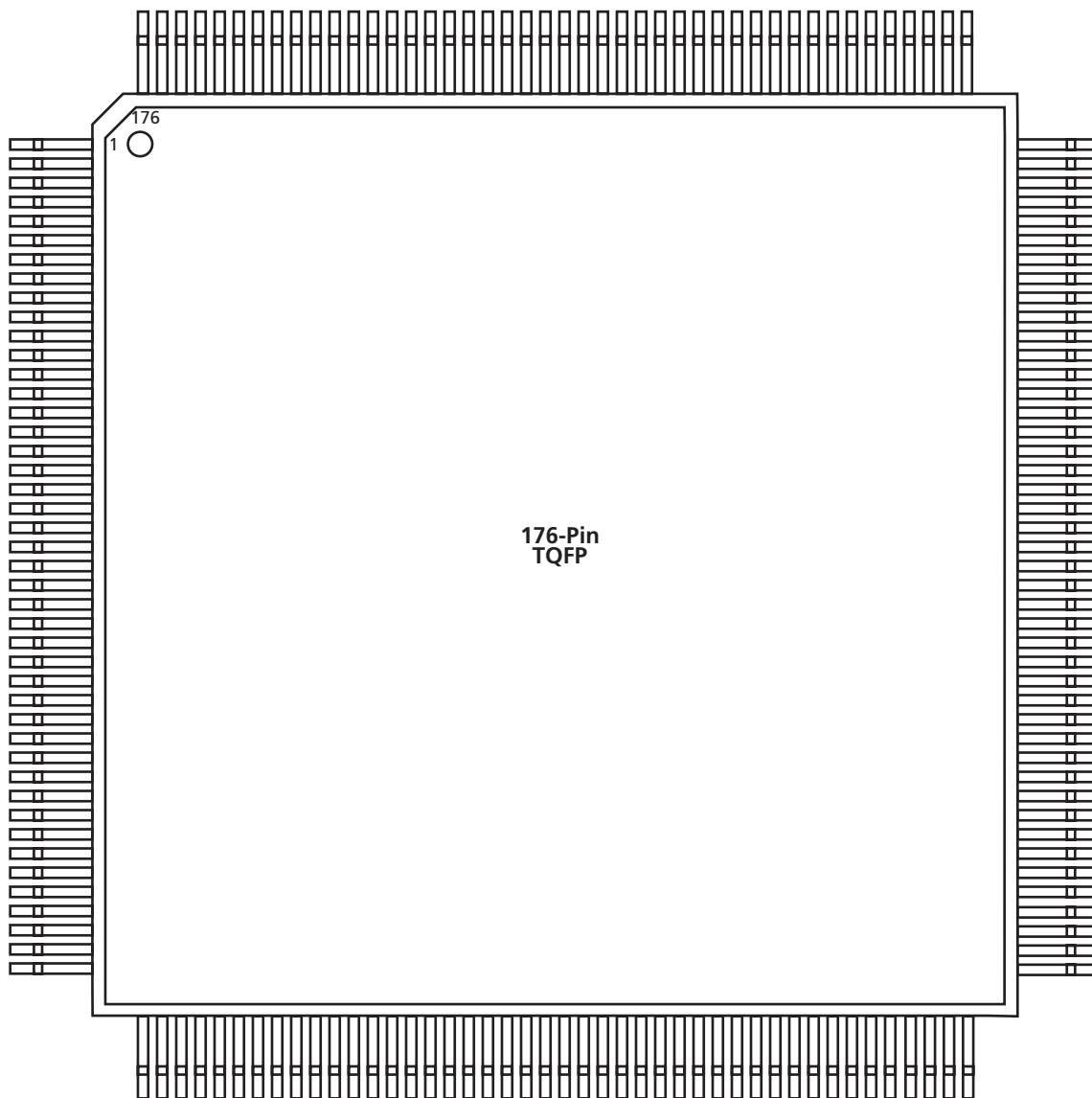


Figure 2-4 • 176-Pin TQFP (Top View)

### Note

For Package Manufacturing and Environmental information, visit the Package Resource center at <http://www.actel.com/products/rescenter/package/index.html>.



176-Pin TQFP			
Pin Number	A54SX08 Function	A54SX16, A54SX16P Function	A54SX32 Function
1	GND	GND	GND
2	TDI, I/O	TDI, I/O	TDI, I/O
3	NC	I/O	I/O
4	I/O	I/O	I/O
5	I/O	I/O	I/O
6	I/O	I/O	I/O
7	I/O	I/O	I/O
8	I/O	I/O	I/O
9	I/O	I/O	I/O
10	TMS	TMS	TMS
11	V <sub>CCI</sub>	V <sub>CCI</sub>	V <sub>CCI</sub>
12	NC	I/O	I/O
13	I/O	I/O	I/O
14	I/O	I/O	I/O
15	I/O	I/O	I/O
16	I/O	I/O	I/O
17	I/O	I/O	I/O
18	I/O	I/O	I/O
19	I/O	I/O	I/O
20	I/O	I/O	I/O
21	GND	GND	GND
22	V <sub>CCA</sub>	V <sub>CCA</sub>	V <sub>CCA</sub>
23	GND	GND	GND
24	I/O	I/O	I/O
25	I/O	I/O	I/O
26	I/O	I/O	I/O
27	I/O	I/O	I/O
28	I/O	I/O	I/O
29	I/O	I/O	I/O
30	I/O	I/O	I/O
31	I/O	I/O	I/O
32	V <sub>CCI</sub>	V <sub>CCI</sub>	V <sub>CCI</sub>
33	V <sub>CCA</sub>	V <sub>CCA</sub>	V <sub>CCA</sub>
34	I/O	I/O	I/O

176-Pin TQFP			
Pin Number	A54SX08 Function	A54SX16, A54SX16P Function	A54SX32 Function
35	I/O	I/O	I/O
36	I/O	I/O	I/O
37	I/O	I/O	I/O
38	I/O	I/O	I/O
39	I/O	I/O	I/O
40	NC	I/O	I/O
41	I/O	I/O	I/O
42	NC	I/O	I/O
43	I/O	I/O	I/O
44	GND	GND	GND
45	I/O	I/O	I/O
46	I/O	I/O	I/O
47	I/O	I/O	I/O
48	I/O	I/O	I/O
49	I/O	I/O	I/O
50	I/O	I/O	I/O
51	I/O	I/O	I/O
52	V <sub>CCI</sub>	V <sub>CCI</sub>	V <sub>CCI</sub>
53	I/O	I/O	I/O
54	NC	I/O	I/O
55	I/O	I/O	I/O
56	I/O	I/O	I/O
57	NC	I/O	I/O
58	I/O	I/O	I/O
59	I/O	I/O	I/O
60	I/O	I/O	I/O
61	I/O	I/O	I/O
62	I/O	I/O	I/O
63	I/O	I/O	I/O
64	PRB, I/O	PRB, I/O	PRB, I/O
65	GND	GND	GND
66	V <sub>CCA</sub>	V <sub>CCA</sub>	V <sub>CCA</sub>
67	V <sub>CCR</sub>	V <sub>CCR</sub>	V <sub>CCR</sub>
68	I/O	I/O	I/O

176-Pin TQFP			
Pin Number	A54SX08 Function	A54SX16, A54SX16P Function	A54SX32 Function
69	HCLK	HCLK	HCLK
70	I/O	I/O	I/O
71	I/O	I/O	I/O
72	I/O	I/O	I/O
73	I/O	I/O	I/O
74	I/O	I/O	I/O
75	I/O	I/O	I/O
76	I/O	I/O	I/O
77	I/O	I/O	I/O
78	I/O	I/O	I/O
79	NC	I/O	I/O
80	I/O	I/O	I/O
81	NC	I/O	I/O
82	V <sub>CCI</sub>	V <sub>CCI</sub>	V <sub>CCI</sub>
83	I/O	I/O	I/O
84	I/O	I/O	I/O
85	I/O	I/O	I/O
86	I/O	I/O	I/O
87	TDO, I/O	TDO, I/O	TDO, I/O
88	I/O	I/O	I/O
89	GND	GND	GND
90	NC	I/O	I/O
91	NC	I/O	I/O
92	I/O	I/O	I/O
93	I/O	I/O	I/O
94	I/O	I/O	I/O
95	I/O	I/O	I/O
96	I/O	I/O	I/O
97	I/O	I/O	I/O
98	V <sub>CCA</sub>	V <sub>CCA</sub>	V <sub>CCA</sub>
99	V <sub>CCI</sub>	V <sub>CCI</sub>	V <sub>CCI</sub>
100	I/O	I/O	I/O
101	I/O	I/O	I/O
102	I/O	I/O	I/O

176-Pin TQFP			
Pin Number	A54SX08 Function	A54SX16, A54SX16P Function	A54SX32 Function
103	I/O	I/O	I/O
104	I/O	I/O	I/O
105	I/O	I/O	I/O
106	I/O	I/O	I/O
107	I/O	I/O	I/O
108	GND	GND	GND
109	V <sub>CCA</sub>	V <sub>CCA</sub>	V <sub>CCA</sub>
110	GND	GND	GND
111	I/O	I/O	I/O
112	I/O	I/O	I/O
113	I/O	I/O	I/O
114	I/O	I/O	I/O
115	I/O	I/O	I/O
116	I/O	I/O	I/O
117	I/O	I/O	I/O
118	NC	I/O	I/O
119	I/O	I/O	I/O
120	NC	I/O	I/O
121	NC	I/O	I/O
122	V <sub>CCA</sub>	V <sub>CCA</sub>	V <sub>CCA</sub>
123	GND	GND	GND
124	V <sub>CCI</sub>	V <sub>CCI</sub>	V <sub>CCI</sub>
125	I/O	I/O	I/O
126	I/O	I/O	I/O
127	I/O	I/O	I/O
128	I/O	I/O	I/O
129	I/O	I/O	I/O
130	I/O	I/O	I/O
131	NC	I/O	I/O
132	NC	I/O	I/O
133	GND	GND	GND
134	I/O	I/O	I/O
135	I/O	I/O	I/O
136	I/O	I/O	I/O

176-Pin TQFP			
Pin Number	A545X08 Function	A545X16, A545X16P Function	A545X32 Function
137	I/O	I/O	I/O
138	I/O	I/O	I/O
139	I/O	I/O	I/O
140	V <sub>CCI</sub>	V <sub>CCI</sub>	V <sub>CCI</sub>
141	I/O	I/O	I/O
142	I/O	I/O	I/O
143	I/O	I/O	I/O
144	I/O	I/O	I/O
145	I/O	I/O	I/O
146	I/O	I/O	I/O
147	I/O	I/O	I/O
148	I/O	I/O	I/O
149	I/O	I/O	I/O
150	I/O	I/O	I/O
151	I/O	I/O	I/O
152	CLKA	CLKA	CLKA
153	CLKB	CLKB	CLKB
154	V <sub>CCR</sub>	V <sub>CCR</sub>	V <sub>CCR</sub>
155	GND	GND	GND
156	V <sub>CCA</sub>	V <sub>CCA</sub>	V <sub>CCA</sub>

176-Pin TQFP			
Pin Number	A545X08 Function	A545X16, A545X16P Function	A545X32 Function
157	PRA, I/O	PRA, I/O	PRA, I/O
158	I/O	I/O	I/O
159	I/O	I/O	I/O
160	I/O	I/O	I/O
161	I/O	I/O	I/O
162	I/O	I/O	I/O
163	I/O	I/O	I/O
164	I/O	I/O	I/O
165	I/O	I/O	I/O
166	I/O	I/O	I/O
167	I/O	I/O	I/O
168	NC	I/O	I/O
169	V <sub>CCI</sub>	V <sub>CCI</sub>	V <sub>CCI</sub>
170	I/O	I/O	I/O
171	NC	I/O	I/O
172	NC	I/O	I/O
173	NC	I/O	I/O
174	I/O	I/O	I/O
175	I/O	I/O	I/O
176	TCK, I/O	TCK, I/O	TCK, I/O

## 100-Pin VQFP

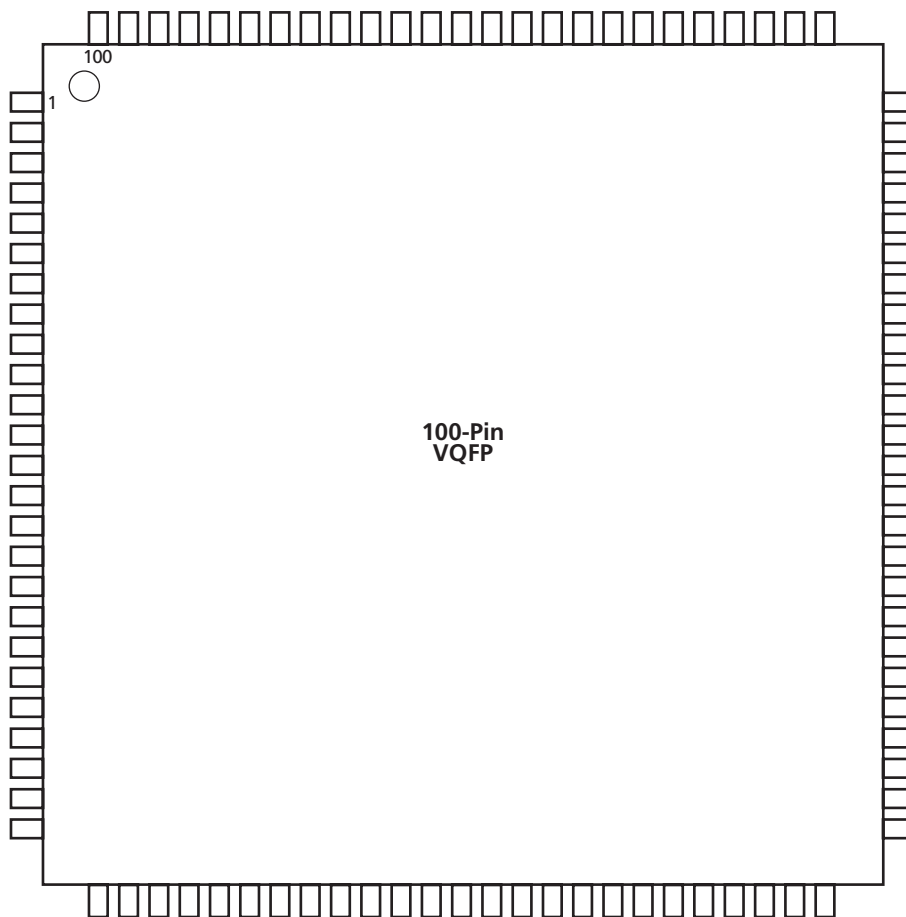


Figure 2-5 • 100-Pin VQFP (Top View)

### Note

For Package Manufacturing and Environmental information, visit the Package Resource center at <http://www.actel.com/products/rescenter/package/index.html>.

100-Pin VQFP		
Pin Number	A545X08 Function	A545X16, A545X16P Function
1	GND	GND
2	TDI, I/O	TDI, I/O
3	I/O	I/O
4	I/O	I/O
5	I/O	I/O
6	I/O	I/O
7	TMS	TMS
8	V <sub>CCI</sub>	V <sub>CCI</sub>
9	GND	GND
10	I/O	I/O
11	I/O	I/O
12	I/O	I/O
13	I/O	I/O
14	I/O	I/O
15	I/O	I/O
16	I/O	I/O
17	I/O	I/O
18	I/O	I/O
19	I/O	I/O
20	V <sub>CCI</sub>	V <sub>CCI</sub>
21	I/O	I/O
22	I/O	I/O
23	I/O	I/O
24	I/O	I/O
25	I/O	I/O
26	I/O	I/O
27	I/O	I/O
28	I/O	I/O
29	I/O	I/O
30	I/O	I/O
31	I/O	I/O
32	I/O	I/O
33	I/O	I/O
34	PRB, I/O	PRB, I/O

100-Pin VQFP		
Pin Number	A545X08 Function	A545X16, A545X16P Function
35	V <sub>CCA</sub>	V <sub>CCA</sub>
36	GND	GND
37	V <sub>CCR</sub>	V <sub>CCR</sub>
38	I/O	I/O
39	HCLK	HCLK
40	I/O	I/O
41	I/O	I/O
42	I/O	I/O
43	I/O	I/O
44	V <sub>CCI</sub>	V <sub>CCI</sub>
45	I/O	I/O
46	I/O	I/O
47	I/O	I/O
48	I/O	I/O
49	TDO, I/O	TDO, I/O
50	I/O	I/O
51	GND	GND
52	I/O	I/O
53	I/O	I/O
54	I/O	I/O
55	I/O	I/O
56	I/O	I/O
57	V <sub>CCA</sub>	V <sub>CCA</sub>
58	V <sub>CCI</sub>	V <sub>CCI</sub>
59	I/O	I/O
60	I/O	I/O
61	I/O	I/O
62	I/O	I/O
63	I/O	I/O
64	I/O	I/O
65	I/O	I/O
66	I/O	I/O
67	V <sub>CCA</sub>	V <sub>CCA</sub>
68	GND	GND

100-Pin VQFP		
Pin Number	A545X08 Function	A545X16, A545X16P Function
69	GND	GND
70	I/O	I/O
71	I/O	I/O
72	I/O	I/O
73	I/O	I/O
74	I/O	I/O
75	I/O	I/O
76	I/O	I/O
77	I/O	I/O
78	I/O	I/O
79	I/O	I/O
80	I/O	I/O
81	I/O	I/O
82	V <sub>CCI</sub>	V <sub>CCI</sub>
83	I/O	I/O
84	I/O	I/O
85	I/O	I/O
86	I/O	I/O
87	CLKA	CLKA
88	CLKB	CLKB
89	V <sub>CCR</sub>	V <sub>CCR</sub>
90	V <sub>CCA</sub>	V <sub>CCA</sub>
91	GND	GND
92	PRA, I/O	PRA, I/O
93	I/O	I/O
94	I/O	I/O
95	I/O	I/O
96	I/O	I/O
97	I/O	I/O
98	I/O	I/O
99	I/O	I/O
100	TCK, I/O	TCK, I/O

## 313-Pin PBGA

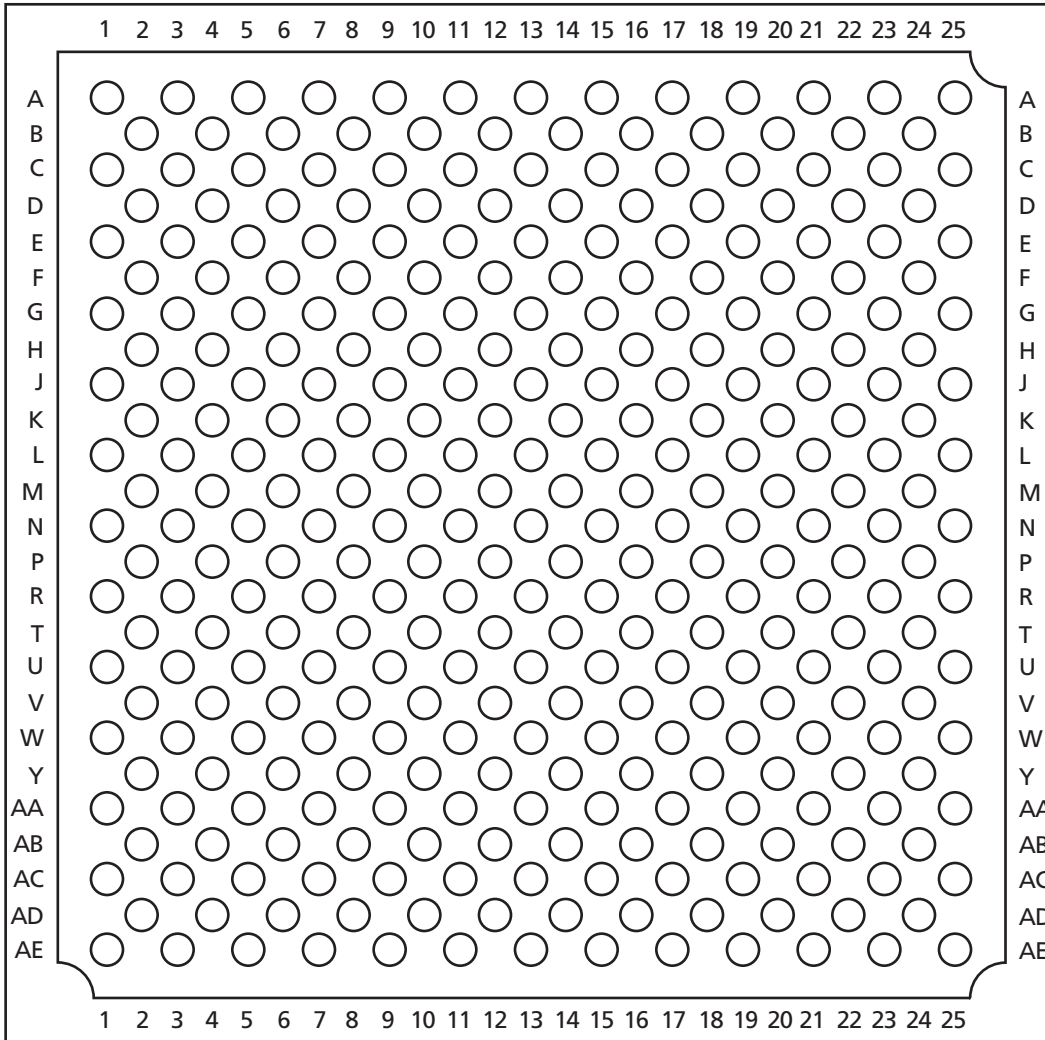


Figure 2-6 • 313-Pin PBGA (Top View)

### Note

For Package Manufacturing and Environmental information, visit the Package Resource center at <http://www.actel.com/products/rescenter/package/index.html>.

313-Pin PBGA	
Pin Number	A54SX32 Function
A1	GND
A3	NC
A5	I/O
A7	I/O
A9	I/O
A11	I/O
A13	V <sub>CCR</sub>
A15	I/O
A17	I/O
A19	I/O
A21	I/O
A23	NC
A25	GND
AA1	I/O
AA3	I/O
AA5	NC
AA7	I/O
AA9	NC
AA11	I/O
AA13	I/O
AA15	I/O
AA17	I/O
AA19	I/O
AA21	I/O
AA23	NC
AA25	I/O
AB2	NC
AB4	NC
AB6	I/O
AB8	I/O
AB10	I/O
AB12	I/O
AB14	I/O
AB16	I/O
AB18	V <sub>CCI</sub>
AB20	NC
AB22	I/O
AB24	I/O
AC1	I/O
AC3	I/O

313-Pin PBGA	
Pin Number	A54SX32 Function
AC5	I/O
AC7	I/O
AC9	I/O
AC11	I/O
AC13	V <sub>CCR</sub>
AC15	I/O
AC17	I/O
AC19	I/O
AC21	I/O
AC23	I/O
AC25	NC
AD2	GND
AD4	I/O
AD6	V <sub>CCI</sub>
AD8	I/O
AD10	I/O
AD12	PRB, I/O
AD14	I/O
AD16	I/O
AD18	I/O
AD20	I/O
AD22	NC
AD24	I/O
AE1	NC
AE3	I/O
AE5	I/O
AE7	I/O
AE9	I/O
AE11	I/O
AE13	V <sub>CCA</sub>
AE15	I/O
AE17	I/O
AE19	I/O
AE21	I/O
AE23	TDO, I/O
AE25	GND
B2	TCK, I/O
B4	I/O
B6	I/O
B8	I/O

313-Pin PBGA	
Pin Number	A54SX32 Function
B10	I/O
B12	I/O
B14	I/O
B16	I/O
B18	I/O
B20	I/O
B22	I/O
B24	I/O
C1	TDI, I/O
C3	I/O
C5	NC
C7	I/O
C9	I/O
C11	I/O
C13	V <sub>CCI</sub>
C15	I/O
C17	I/O
C19	V <sub>CCI</sub>
C21	I/O
C23	I/O
C25	NC
D2	I/O
D4	NC
D6	I/O
D8	I/O
D10	I/O
D12	I/O
D14	I/O
D16	I/O
D18	I/O
D20	I/O
D22	I/O
D24	NC
E1	I/O
E3	NC
E5	I/O
E7	I/O
E9	I/O
E11	I/O
E13	V <sub>CCA</sub>

313-Pin PBGA	
Pin Number	A54SX32 Function
E15	I/O
E17	I/O
E19	I/O
E21	I/O
E23	I/O
E25	I/O
F2	I/O
F4	I/O
F6	NC
F8	I/O
F10	NC
F12	I/O
F14	I/O
F16	NC
F18	I/O
F20	I/O
F22	I/O
F24	I/O
G1	I/O
G3	TMS
G5	I/O
G7	I/O
G9	V <sub>CCI</sub>
G11	I/O
G13	CLKB
G15	I/O
G17	I/O
G19	I/O
G21	I/O
G23	I/O
G25	I/O
H2	I/O
H4	I/O
H6	I/O
H8	I/O
H10	I/O
H12	PRA, I/O
H14	I/O
H16	I/O
H18	NC

313-Pin PBGA	
Pin Number	A54SX32 Function
H20	I/O
H22	V <sub>CCI</sub>
H24	I/O
J1	I/O
J3	I/O
J5	I/O
J7	NC
J9	I/O
J11	I/O
J13	CLKA
J15	I/O
J17	I/O
J19	I/O
J21	GND
J23	I/O
J25	I/O
K2	I/O
K4	I/O
K6	I/O
K8	V <sub>CCI</sub>
K10	I/O
K12	I/O
K14	I/O
K16	I/O
K18	I/O
K20	V <sub>CCA</sub>
K22	I/O
K24	I/O
L1	I/O
L3	I/O
L5	I/O
L7	I/O
L9	I/O
L11	I/O
L13	GND
L15	I/O
L17	I/O
L19	I/O
L21	I/O
L23	I/O

313-Pin PBGA	
Pin Number	A54SX32 Function
L25	I/O
M2	I/O
M4	I/O
M6	I/O
M8	I/O
M10	I/O
M12	GND
M14	GND
M16	V <sub>CCI</sub>
M18	I/O
M20	I/O
M22	I/O
M24	I/O
N1	I/O
N3	V <sub>CCA</sub>
N5	V <sub>CCR</sub>
N7	I/O
N9	V <sub>CCI</sub>
N11	GND
N13	GND
N15	GND
N17	I/O
N19	I/O
N21	I/O
N23	V <sub>CCR</sub>
N25	V <sub>CCA</sub>
P2	I/O
P4	I/O
P6	I/O
P8	I/O
P10	I/O
P12	GND
P14	GND
P16	I/O
P18	I/O
P20	NC
P22	I/O
P24	I/O
R1	I/O
R3	I/O

313-Pin PBGA	
Pin Number	A54SX32 Function
R5	I/O
R7	I/O
R9	I/O
R11	I/O
R13	GND
R15	I/O
R17	I/O
R19	I/O
R21	I/O
R23	I/O
R25	I/O
T2	I/O
T4	I/O
T6	I/O
T8	I/O
T10	I/O
T12	I/O
T14	HCLK
T16	I/O
T18	I/O
T20	I/O
T22	I/O
T24	I/O
U1	I/O
U3	I/O
U5	V <sub>CCI</sub>
U7	I/O
U9	I/O
U11	I/O
U13	I/O
U15	I/O
U17	I/O
U19	I/O
U21	I/O
U23	I/O
U25	I/O
V2	V <sub>CCA</sub>
V4	I/O
V6	I/O
V8	I/O

313-Pin PBGA	
Pin Number	A54SX32 Function
V10	I/O
V12	I/O
V14	I/O
V16	NC
V18	I/O
V20	I/O
V22	V <sub>CCA</sub>
V24	V <sub>CCI</sub>
W1	I/O
W3	I/O
W5	I/O
W7	NC
W9	I/O
W11	I/O
W13	V <sub>CCI</sub>
W15	I/O
W17	I/O
W19	I/O
W21	I/O
W23	I/O
W25	I/O
Y2	I/O
Y4	I/O
Y6	I/O
Y8	I/O
Y10	I/O
Y12	I/O
Y14	I/O
Y16	I/O
Y18	I/O
Y20	NC
Y22	I/O
Y24	NC



## 329-Pin PBGA

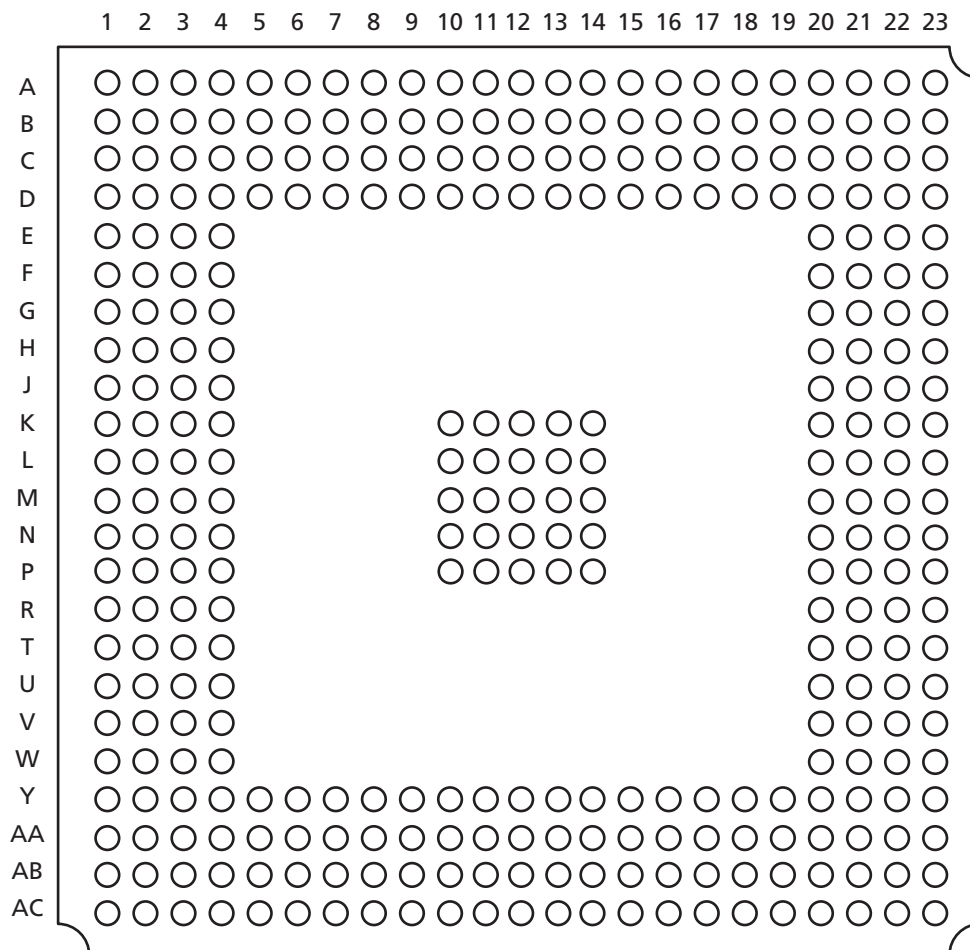


Figure 2-7 • 329-Pin PBGA (Top View)

### Note

For Package Manufacturing and Environmental information, visit the Package Resource center at <http://www.actel.com/products/rescenter/package/index.html>.

329-Pin PBGA	
Pin Number	A54SX32 Function
A1	GND
A2	GND
A3	V <sub>CCI</sub>
A4	NC
A5	I/O
A6	I/O
A7	V <sub>CCI</sub>
A8	NC
A9	I/O
A10	I/O
A11	I/O
A12	I/O
A13	CLKB
A14	I/O
A15	I/O
A16	I/O
A17	I/O
A18	I/O
A19	I/O
A20	I/O
A21	NC
A22	V <sub>CCI</sub>
A23	GND
AA1	V <sub>CCI</sub>
AA2	I/O
AA3	GND
AA4	I/O
AA5	I/O
AA6	I/O
AA7	I/O
AA8	I/O
AA9	I/O
AA10	I/O
AA11	I/O
AA12	I/O

329-Pin PBGA	
Pin Number	A54SX32 Function
AA13	I/O
AA14	I/O
AA15	I/O
AA16	I/O
AA17	I/O
AA18	I/O
AA19	I/O
AA20	TDO, I/O
AA21	V <sub>CCI</sub>
AA22	I/O
AA23	V <sub>CCI</sub>
AB1	I/O
AB2	GND
AB3	I/O
AB4	I/O
AB5	I/O
AB6	I/O
AB7	I/O
AB8	I/O
AB9	I/O
AB10	I/O
AB11	PRB, I/O
AB12	I/O
AB13	HCLK
AB14	I/O
AB15	I/O
AB16	I/O
AB17	I/O
AB18	I/O
AB19	I/O
AB20	I/O
AB21	I/O
AB22	GND
AB23	I/O
AC1	GND

329-Pin PBGA	
Pin Number	A54SX32 Function
AC2	V <sub>CCI</sub>
AC3	NC
AC4	I/O
AC5	I/O
AC6	I/O
AC7	I/O
AC8	I/O
AC9	V <sub>CCI</sub>
AC10	I/O
AC11	I/O
AC12	I/O
AC13	I/O
AC14	I/O
AC15	NC
AC16	I/O
AC17	I/O
AC18	I/O
AC19	I/O
AC20	I/O
AC21	NC
AC22	V <sub>CCI</sub>
AC23	GND
B1	V <sub>CCI</sub>
B2	GND
B3	I/O
B4	I/O
B5	I/O
B6	I/O
B7	I/O
B8	I/O
B9	I/O
B10	I/O
B11	I/O
B12	PRA, I/O
B13	CLKA

329-Pin PBGA	
Pin Number	A54SX32 Function
B14	I/O
B15	I/O
B16	I/O
B17	I/O
B18	I/O
B19	I/O
B20	I/O
B21	I/O
B22	GND
B23	V <sub>CCI</sub>
C1	NC
C2	TDI, I/O
C3	GND
C4	I/O
C5	I/O
C6	I/O
C7	I/O
C8	I/O
C9	I/O
C10	I/O
C11	I/O
C12	I/O
C13	I/O
C14	I/O
C15	I/O
C16	I/O
C17	I/O
C18	I/O
C19	I/O
C20	I/O
C21	V <sub>CCI</sub>
C22	GND
C23	NC
D1	I/O
D2	I/O

329-Pin PBGA	
Pin Number	A545X32 Function
D3	I/O
D4	TCK, I/O
D5	I/O
D6	I/O
D7	I/O
D8	I/O
D9	I/O
D10	I/O
D11	V <sub>CCA</sub>
D12	V <sub>CCR</sub>
D13	I/O
D14	I/O
D15	I/O
D16	I/O
D17	I/O
D18	I/O
D19	I/O
D20	I/O
D21	I/O
D22	I/O
D23	I/O
E1	V <sub>CCI</sub>
E2	I/O
E3	I/O
E4	I/O
E20	I/O
E21	I/O
E22	I/O
E23	I/O
F1	I/O
F2	TMS
F3	I/O
F4	I/O
F20	I/O
F21	I/O

329-Pin PBGA	
Pin Number	A545X32 Function
F22	I/O
F23	I/O
G1	I/O
G2	I/O
G3	I/O
G4	I/O
G20	I/O
G21	I/O
G22	I/O
G23	GND
H1	I/O
H2	I/O
H3	I/O
H4	I/O
H20	V <sub>CCA</sub>
H21	I/O
H22	I/O
H23	I/O
J1	NC
J2	I/O
J3	I/O
J4	I/O
J20	I/O
J21	I/O
J22	I/O
J23	I/O
K1	I/O
K2	I/O
K3	I/O
K4	I/O
K10	GND
K11	GND
K12	GND
K13	GND
K14	GND

329-Pin PBGA	
Pin Number	A545X32 Function
K20	I/O
K21	I/O
K22	I/O
K23	I/O
L1	I/O
L2	I/O
L3	I/O
L4	V <sub>CCR</sub>
L10	GND
L11	GND
L12	GND
L13	GND
L14	GND
L20	V <sub>CCR</sub>
L21	I/O
L22	I/O
L23	NC
M1	I/O
M2	I/O
M3	I/O
M4	V <sub>CCA</sub>
M10	GND
M11	GND
M12	GND
M13	GND
M14	GND
M20	V <sub>CCA</sub>
M21	I/O
M22	I/O
M23	V <sub>CCI</sub>
N1	I/O
N2	I/O
N3	I/O
N4	I/O
N10	GND

329-Pin PBGA	
Pin Number	A545X32 Function
N11	GND
N12	GND
N13	GND
N14	GND
N20	NC
N21	I/O
N22	I/O
N23	I/O
P1	I/O
P2	I/O
P3	I/O
P4	I/O
P10	GND
P11	GND
P12	GND
P13	GND
P14	GND
P20	I/O
P21	I/O
P22	I/O
P23	I/O
R1	I/O
R2	I/O
R3	I/O
R4	I/O
R20	I/O
R21	I/O
R22	I/O
R23	I/O
T1	I/O
T2	I/O
T3	I/O
T4	I/O
T20	I/O
T21	I/O

329-Pin PBGA	
Pin Number	A54SX32 Function
T22	I/O
T23	I/O
U1	I/O
U2	I/O
U3	V <sub>CCA</sub>
U4	I/O
U20	I/O
U21	V <sub>CCA</sub>
U22	I/O
U23	I/O
V1	V <sub>CCI</sub>
V2	I/O
V3	I/O

329-Pin PBGA	
Pin Number	A54SX32 Function
V4	I/O
V20	I/O
V21	I/O
V22	I/O
V23	I/O
W1	I/O
W2	I/O
W3	I/O
W4	I/O
W20	I/O
W21	I/O
W22	I/O

329-Pin PBGA	
Pin Number	A54SX32 Function
W23	NC
Y1	NC
Y2	I/O
Y3	I/O
Y4	GND
Y5	I/O
Y6	I/O
Y7	I/O
Y8	I/O
Y9	I/O
Y10	I/O
Y11	I/O

329-Pin PBGA	
Pin Number	A54SX32 Function
Y12	V <sub>CCA</sub>
Y13	V <sub>CCR</sub>
Y14	I/O
Y15	I/O
Y16	I/O
Y17	I/O
Y18	I/O
Y19	I/O
Y20	GND
Y21	I/O
Y22	I/O
Y23	I/O

## 144-Pin FBGA

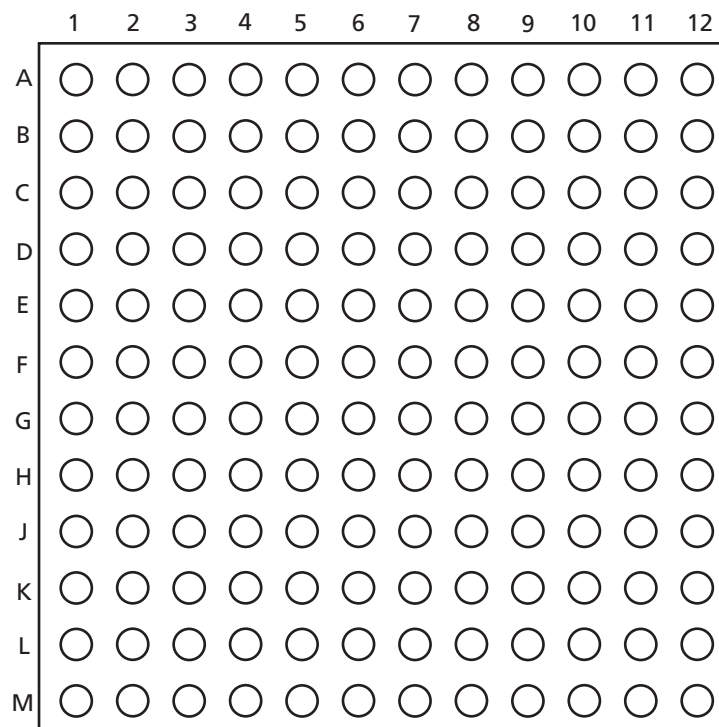


Figure 2-8 • 144-Pin FBGA (Top View)

### Note

For Package Manufacturing and Environmental information, visit the Package Resource center at <http://www.actel.com/products/rescenter/package/index.html>.

144-Pin FBGA	
Pin Number	A54SX08 Function
A1	I/O
A2	I/O
A3	I/O
A4	I/O
A5	V <sub>CCA</sub>
A6	GND
A7	CLKA
A8	I/O
A9	I/O
A10	I/O
A11	I/O
A12	I/O
B1	I/O
B2	GND
B3	I/O
B4	I/O
B5	I/O
B6	I/O
B7	CLKB
B8	I/O
B9	I/O
B10	I/O
B11	GND
B12	I/O
C1	I/O
C2	I/O
C3	TCK, I/O
C4	I/O
C5	I/O
C6	PRA, I/O
C7	I/O
C8	I/O
C9	I/O
C10	I/O
C11	I/O
C12	I/O

144-Pin FBGA	
Pin Number	A54SX08 Function
D1	I/O
D2	V <sub>CCI</sub>
D3	TDI, I/O
D4	I/O
D5	I/O
D6	I/O
D7	I/O
D8	I/O
D9	I/O
D10	I/O
D11	I/O
D12	I/O
E1	I/O
E2	I/O
E3	I/O
E4	I/O
E5	TMS
E6	V <sub>CCI</sub>
E7	V <sub>CCI</sub>
E8	V <sub>CCI</sub>
E9	V <sub>CCA</sub>
E10	I/O
E11	GND
E12	I/O
F1	I/O
F2	I/O
F3	V <sub>CCR</sub>
F4	I/O
F5	GND
F6	GND
F7	GND
F8	V <sub>CCI</sub>
F9	I/O
F10	GND
F11	I/O
F12	I/O

144-Pin FBGA	
Pin Number	A54SX08 Function
G1	I/O
G2	GND
G3	I/O
G4	I/O
G5	GND
G6	GND
G7	GND
G8	V <sub>CCI</sub>
G9	I/O
G10	I/O
G11	I/O
G12	I/O
H1	I/O
H2	I/O
H3	I/O
H4	I/O
H5	V <sub>CCA</sub>
H6	V <sub>CCA</sub>
H7	V <sub>CCI</sub>
H8	V <sub>CCI</sub>
H9	V <sub>CCA</sub>
H10	I/O
H11	I/O
H12	V <sub>CCR</sub>
J1	I/O
J2	I/O
J3	I/O
J4	I/O
J5	I/O
J6	PRB, I/O
J7	I/O
J8	I/O
J9	I/O
J10	I/O
J11	I/O
J12	V <sub>CCA</sub>

144-Pin FBGA	
Pin Number	A54SX08 Function
K1	I/O
K2	I/O
K3	I/O
K4	I/O
K5	I/O
K6	I/O
K7	GND
K8	I/O
K9	I/O
K10	GND
K11	I/O
K12	I/O
L1	GND
L2	I/O
L3	I/O
L4	I/O
L5	I/O
L6	I/O
L7	HCLK
L8	I/O
L9	I/O
L10	I/O
L11	I/O
L12	I/O
M1	I/O
M2	I/O
M3	I/O
M4	I/O
M5	I/O
M6	I/O
M7	V <sub>CCA</sub>
M8	I/O
M9	I/O
M10	I/O
M11	TDO, I/O
M12	I/O

# Datasheet Information

## List of Changes

The following table lists critical changes that were made in the current version of the document.

Previous Version	Changes in Current Version (v3.2)	Page
v3.1 (June 2003)	The "Ordering Information" was updated to include RoHS information.	1-ii
	The Product Plan was removed since all products have been released.	N/A
	Information concerning the TRST pin in the "Probe Circuit Control Pins" section was removed.	1-6
	The "Dedicated Test Mode" section is new.	1-6
	The "Programming" section is new.	1-7
	A note was added to the "Power-Up Sequencing" table.	1-15
	A note was added to the "Power-Down Sequencing" table. The 3.3 V comments were updated for the following devices: A545X08, A545X16, A545X32.	1-15
v3.0.1	U11 and U13 were added to the "313-Pin PBGA" table.	2-17
	Storage temperature in Table 1-3 was updated.	1-7
	Table 1-1 was updated.	1-5

## Datasheet Categories

In order to provide the latest information to designers, some datasheets are published before data has been fully characterized. Datasheets are designated as "Product Brief," "Advanced," "Production," and "Datasheet Supplement." The definitions of these categories are as follows:

### Product Brief

The product brief is a summarized version of a datasheet (advanced or production) containing general product information. This brief gives an overview of specific device and family information.

### Advanced

This datasheet version contains initial estimated information based on simulation, other products, devices, or speed grades. This information can be used as estimates, but not for production.

### Unmarked (production)

This datasheet version contains information that is considered to be final.

### Datasheet Supplement

The datasheet supplement gives specific device information for a derivative family that differs from the general family datasheet. The supplement is to be used in conjunction with the datasheet to obtain more detailed information and for specifications that do not differ between the two families.

## International Traffic in Arms Regulations (ITAR) and Export Administration Regulations (EAR)

The products described in this datasheet are subject to the International Traffic in Arms Regulations (ITAR) or the Export Administration Regulations (EAR). They may require an approved export license prior to their export. An export can include a release or disclosure to a foreign national inside or outside the United States.

Actel and the Actel logo are registered trademarks of Actel Corporation.  
All other trademarks are the property of their owners.



[www.actel.com](http://www.actel.com)

**Actel Corporation**

2061 Stierlin Court  
Mountain View, CA  
94043-4655 USA

**Phone** 650.318.4200  
**Fax** 650.318.4600

**Actel Europe Ltd.**

Dunlop House, Riverside Way  
Camberley, Surrey GU15 3YL  
United Kingdom

**Phone** +44 (0) 1276 401 450  
**Fax** +44 (0) 1276 401 490

**Actel Japan**

[www.jp.actel.com](http://www.jp.actel.com)

EXOS Ebisu Bldg. 4F  
1-24-14 Ebisu Shibuya-ku  
Tokyo 150 Japan

**Phone** +81.03.3445.7671  
**Fax** +81.03.3445.7668

**Actel Hong Kong**

[www.actel.com.cn](http://www.actel.com.cn)

Suite 2114, Two Pacific Place  
88 Queensway, Admiralty  
Hong Kong

**Phone** +852 2185 6460  
**Fax** +852 2185 6488



# Mouser Electronics

Authorized Distributor

Click to View Pricing, Inventory, Delivery & Lifecycle Information:

## Microchip:

[SMAX-624CG-ACTEL](#) [SMSX-84CQ-ACTEL](#) [A54SX16P-PQG208I](#) [A54SX32-1PQ208](#) [A54SX32-1TQ176](#) [A54SX32-2PQ208I](#) [A54SX32-2TQ144I](#) [A54SX32-2BG329I](#) [A54SX16-PQ208](#) [A54SX16-2PQG208](#) [A54SX16-2TQG176](#) [A54SX16P-TQ144I](#) [A54SX16P-2TQG144I](#) [A54SX16P-1PQ208M](#) [A54SX32-1TQG144I](#) [A54SX16P-2TQ144](#) [A54SX32-1TQG144](#) [A54SX32-2TQ176I](#) [A54SX08-1FG144I](#) [A54SX08-FGG144I](#) [A54SX16-2PQG208I](#) [A54SX16P-TQG176I](#) [A54SX16P-2TQ176](#) [A54SX16P-1TQG144I](#) [A54SX32-TQG176I](#) [A54SX08-2PLG84](#) [A54SX08-2PLG84I](#) [A54SX08-2PQG208I](#) [A54SX16-2VQ100I](#) [A54SX16-2PQ208I](#) [A54SX32-1BGG329](#) [A54SX32-PQ208M](#) [A54SX32-TQG176](#) [A54SX32-2PQG208](#) [A54SX32-1PQ208M](#) [A54SX32-TQG144M](#) [A54SX16P-1VQ100I](#) [A54SX32-2BGG329I](#) [A54SX32-PQG208M](#) [A54SX16P-1VQG100I](#) [A54SX32-1TQG144M](#) [A54SX32-1BG329](#) [A54SX32-TQ176I](#) [A54SX32-PQG208I](#) [A54SX08-2TQG176I](#) [A54SX08-2FGG144I](#) [A54SX16-1VQG100](#) [A54SX16-1PQG208](#) [A54SX08-1PL84](#) [A54SX08-1TQG176](#) [A54SX08-1PQG208I](#) [A54SX16-PQG208I](#) [A54SX16P-TQ176I](#) [A54SX16P-1TQG144M](#) [A54SX08-1TQ176](#) [A54SX08-1TQG144I](#) [A54SX08-1TQG176I](#) [A54SX16-2VQG100](#) [A54SX16-1TQ176I](#) [A54SX16P-1VQ100](#) [A54SX32-TQG144](#) [A54SX32-1PQG208I](#) [A54SX32-1BGG329I](#) [A54SX32-2TQG176I](#) [A54SX08-TQ176I](#) [A54SX08-PL84](#) [A54SX32-2TQ176](#) [A54SX08-TQG176](#) [A54SX08-1VQG100](#) [A54SX08-VQ100I](#) [A54SX16P-1PQG208I](#) [A54SX32-1TQ144](#) [A54SX16-1TQ176](#) [A54SX16-TQG176I](#) [A54SX16P-2PQ208](#) [A54SX16P-TQG176](#) [A54SX16P-2PQG208](#) [A54SX16P-TQG144I](#) [A54SX32-1TQ144I](#) [A54SX32-1BG329I](#) [A54SX16-1VQ100I](#) [A54SX16-1VQG100I](#) [A54SX16-1PQG208I](#) [A54SX16P-1VQG100](#) [A54SX16P-VQ100I](#) [A54SX16P-PQG208M](#) [A54SX32-2BG329](#) [A54SX32-TQ144I](#) [A54SX32-1PQ208I](#) [A54SX32-2BGG329](#) [A54SX32-2PQG208I](#) [A54SX08-TQG144](#) [A54SX08-1VQ100](#) [A54SX08-1FGG144](#) [A54SX08-2TQG144](#) [A54SX08-1PQ208I](#) [A54SX16-VQG100I](#) [A54SX16-2TQG176I](#) [A54SX32-1PQG208](#) [A54SX32-1TQG176](#)



Компания «ЭлектроПласт» предлагает заключение долгосрочных отношений при поставках импортных электронных компонентов на взаимовыгодных условиях!

Наши преимущества:

- Оперативные поставки широкого спектра электронных компонентов отечественного и импортного производства напрямую от производителей и с крупнейших мировых складов;
- Поставка более 17-ти миллионов наименований электронных компонентов;
- Поставка сложных, дефицитных, либо снятых с производства позиций;
- Оперативные сроки поставки под заказ (от 5 рабочих дней);
- Экспресс доставка в любую точку России;
- Техническая поддержка проекта, помощь в подборе аналогов, поставка прототипов;
- Система менеджмента качества сертифицирована по Международному стандарту ISO 9001;
- Лицензия ФСБ на осуществление работ с использованием сведений, составляющих государственную тайну;
- Поставка специализированных компонентов (Xilinx, Altera, Analog Devices, Intersil, Interpoint, Microsemi, Aeroflex, Peregrine, Syfer, Eurofarad, Texas Instrument, Miteq, Cobham, E2V, MA-COM, Hittite, Mini-Circuits, General Dynamics и др.);

Помимо этого, одним из направлений компании «ЭлектроПласт» является направление «Источники питания». Мы предлагаем Вам помощь Конструкторского отдела:

- Подбор оптимального решения, техническое обоснование при выборе компонента;
- Подбор аналогов;
- Консультации по применению компонента;
- Поставка образцов и прототипов;
- Техническая поддержка проекта;
- Защита от снятия компонента с производства.



#### Как с нами связаться

**Телефон:** 8 (812) 309 58 32 (многоканальный)

**Факс:** 8 (812) 320-02-42

**Электронная почта:** [org@eplast1.ru](mailto:org@eplast1.ru)

**Адрес:** 198099, г. Санкт-Петербург, ул. Калинина, дом 2, корпус 4, литера А.