

**VXG SERIES**

**105°C 5000 hours**

\*Load Life : 105°C 5000 hours.



**◆ SPECIFICATIONS**

| Items  | Characteristics   |            |                     |   |                    |  |                 |                                    |         |         |         |         |                  |         |      |      |      |      |      |      |      |      |      |      |      |      |
|--|---|------------|---------------------|---|--------------------|--|-----------------|------------------------------------|---------|---------|---------|---------|------------------|---------|------|------|------|------|------|------|------|------|------|------|------|------|
| Category Temperature Range                     | -40~+105°C  | -25~+105°C |                     |   |                    |  |                 |                                    |         |         |         |         |                  |         |      |      |      |      |      |      |      |      |      |      |      |      |
| Rated Voltage Range                            | 10~100Vdc   | 200~500Vdc |                     |   |                    |  |                 |                                    |         |         |         |         |                  |         |      |      |      |      |      |      |      |      |      |      |      |      |
| Capacitance Tolerance                          | ±20% (20°C, 120Hz)  |            |                     |   |                    |  |                 |                                    |         |         |         |         |                  |         |      |      |      |      |      |      |      |      |      |      |      |      |
| Leakage Current(MAX)                           | $I=3\sqrt{CV}$ (After 5 minutes application of rated voltage)<br>I=Leakage Current(μA)      C=Capacitance(μF)      V=Rated Voltage(Vdc)   |            |                     |   |                    |  |                 |                                    |         |         |         |         |                  |         |      |      |      |      |      |      |      |      |      |      |      |      |
| Dissipation Factor(MAX) (tanδ)                 | <table border="1"> <thead> <tr> <th>Rated Voltage (Vdc)</th> <th>10</th> <th>16</th> <th>25</th> <th>35</th> <th>50</th> <th>63</th> <th>80</th> <th>100</th> <th>200~250</th> <th>400~450</th> <th>475~500</th> </tr> </thead> <tbody> <tr> <td>tanδ</td> <td>0.55</td> <td>0.50</td> <td>0.45</td> <td>0.40</td> <td>0.35</td> <td>0.30</td> <td>0.25</td> <td>0.20</td> <td>0.20</td> <td>0.20</td> <td>0.25</td> </tr> </tbody> </table> (20°C, 120Hz)      |            | Rated Voltage (Vdc) | 10  | 16                 | 25   | 35              | 50                                 | 63      | 80      | 100     | 200~250 | 400~450          | 475~500 | tanδ | 0.55 | 0.50 | 0.45 | 0.40 | 0.35 | 0.30 | 0.25 | 0.20 | 0.20 | 0.20 | 0.25 |
| Rated Voltage (Vdc)                            | 10  | 16         | 25                  | 35  | 50                 | 63   | 80              | 100                                | 200~250 | 400~450 | 475~500 |         |                  |         |      |      |      |      |      |      |      |      |      |      |      |      |
| tanδ   | 0.55  | 0.50       | 0.45                | 0.40  | 0.35               | 0.30                                       | 0.25            | 0.20                               | 0.20    | 0.20    | 0.25    |         |                  |         |      |      |      |      |      |      |      |      |      |      |      |      |
| Endurance                                      | After applying rated voltage with rated ripple current for 5000 hours at 105°C, the capacitors shall meet the following requirements. <table border="1"> <tbody> <tr> <td>Capacitance Change</td> <td>Within ±20%(For 10WV ; ±25%)of the initial value.</td> </tr> <tr> <td>Dissipation Factor</td> <td>Not more than 200% of the specified value.</td> </tr> <tr> <td>Leakage Current</td> <td>Not more than the specified value.</td> </tr> </tbody> </table> |            | Capacitance Change  | Within ±20%(For 10WV ; ±25%)of the initial value. | Dissipation Factor | Not more than 200% of the specified value. | Leakage Current | Not more than the specified value. |         |         |         |         |                  |         |      |      |      |      |      |      |      |      |      |      |      |      |
| Capacitance Change                             | Within ±20%(For 10WV ; ±25%)of the initial value.   |            |                     |   |                    |  |                 |                                    |         |         |         |         |                  |         |      |      |      |      |      |      |      |      |      |      |      |      |
| Dissipation Factor                             | Not more than 200% of the specified value.  |            |                     |   |                    |  |                 |                                    |         |         |         |         |                  |         |      |      |      |      |      |      |      |      |      |      |      |      |
| Leakage Current                                | Not more than the specified value.  |            |                     |   |                    |  |                 |                                    |         |         |         |         |                  |         |      |      |      |      |      |      |      |      |      |      |      |      |
| Low Temperature Stability Impedance Ratio(MAX) | <table border="1"> <thead> <tr> <th>Rated Voltage (Vdc)</th> <th>10~100</th> <th>200~250</th> <th>400~450</th> <th>475~500</th> </tr> </thead> <tbody> <tr> <td>Z(-25°C)/Z(20°C)</td> <td>3</td> <td>3</td> <td>8</td> <td>12</td> </tr> <tr> <td>Z(-40°C)/Z(20°C)</td> <td>12</td> <td>-</td> <td>-</td> <td>-</td> </tr> </tbody> </table> (120Hz)  |            | Rated Voltage (Vdc) | 10~100  | 200~250            | 400~450                                    | 475~500         | Z(-25°C)/Z(20°C)                   | 3       | 3       | 8       | 12      | Z(-40°C)/Z(20°C) | 12      | -    | -    | -    |      |      |      |      |      |      |      |      |      |
| Rated Voltage (Vdc)                            | 10~100  | 200~250    | 400~450             | 475~500   |                    |  |                 |                                    |         |         |         |         |                  |         |      |      |      |      |      |      |      |      |      |      |      |      |
| Z(-25°C)/Z(20°C)                               | 3   | 3          | 8                   | 12  |                    |  |                 |                                    |         |         |         |         |                  |         |      |      |      |      |      |      |      |      |      |      |      |      |
| Z(-40°C)/Z(20°C)                               | 12  | -          | -                   | -   |                    |  |                 |                                    |         |         |         |         |                  |         |      |      |      |      |      |      |      |      |      |      |      |      |

**◆ MULTIPLIER FOR RIPPLE CURRENT**

| Frequency (Hz) | 60 (50) | 120 (100) | 300  | 500  | 1k   | 10k≤ |
|----------------|---------|-----------|------|------|------|------|
| 10~100Vdc      | 0.90    | 1.00      | 1.03 | 1.05 | 1.10 | 1.15 |
| 200~250Vdc     | 0.80    | 1.00      | 1.15 | 1.20 | 1.30 | 1.50 |
| 400~500Vdc     | 0.80    | 1.00      | 1.15 | 1.20 | 1.25 | 1.40 |

**◆ OPTION**

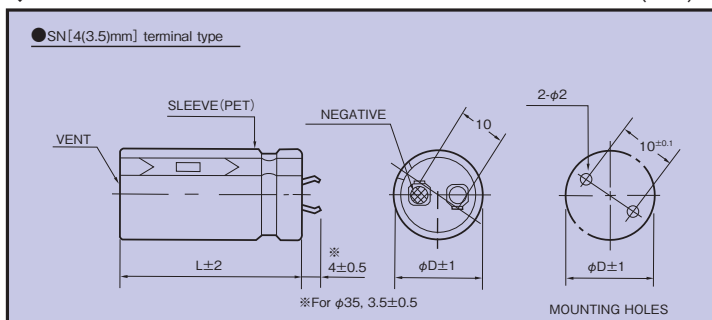
|                          | Code |
|--------------------------|------|
| PET Sleeve without plate | EFC  |

**◆ PART NUMBER**



**◆ DIMENSIONS**

(mm)



**◆ STANDARD SIZE**

| Cap(μF) | Vdc<br>φD | 10          |             |             |             | 16          |             |             |             |
|---------|-----------|-------------|-------------|-------------|-------------|-------------|-------------|-------------|-------------|
|         |           | φ22         | φ25         | φ30         | φ35         | φ22         | φ25         | φ30         | φ35         |
| 5600    |           |             |             |             |             | 22×25: 1.44 |             |             |             |
| 6800    |           |             |             |             |             | 22×30: 1.66 |             |             |             |
| 8200    |           | 22×25: 1.36 |             |             |             | 22×30: 1.79 | 25×25: 1.67 |             |             |
| 10000   |           | 22×30: 1.65 |             |             |             | 22×35: 2.08 | 25×30: 2.07 |             |             |
| 12000   |           | 22×35: 1.85 | 25×25: 1.82 |             |             | 22×40: 2.36 | 25×35: 2.37 | 30×25: 2.13 |             |
| 15000   |           | 22×40: 2.12 | 25×30: 2.11 | 30×25: 2.14 |             | 22×45: 2.69 | 25×40: 2.72 | 30×30: 2.54 |             |
| 18000   |           | 22×45: 2.40 | 25×35: 2.32 | 30×30: 2.37 |             |             | 25×45: 3.06 | 30×35: 3.02 | 35×30: 3.09 |
| 22000   |           |             | 25×40: 2.59 | 30×30: 2.73 |             |             | 25×50: 3.39 | 30×40: 3.46 | 35×30: 3.31 |
| 27000   |           |             | 25×45: 3.01 | 30×35: 3.13 | 35×30: 3.05 |             |             | 30×45: 3.88 | 35×35: 3.85 |
| 33000   |           |             | 25×50: 3.43 | 30×40: 3.53 | 35×35: 3.49 |             |             | 30×50: 4.33 | 35×40: 4.33 |
| 39000   |           |             |             | 30×45: 3.78 | 35×40: 3.96 |             |             |             | 35×45: 4.96 |
| 47000   |           |             |             | 30×50: 4.58 | 35×45: 4.60 |             |             |             | 35×50: 5.49 |
| 56000   |           |             |             |             | 35×50: 5.06 |             |             |             |             |

| Cap(μF) | Vdc<br>φD | 25          |             |             |             | 35          |             |             |             |
|---------|-----------|-------------|-------------|-------------|-------------|-------------|-------------|-------------|-------------|
|         |           | φ22         | φ25         | φ30         | φ35         | φ22         | φ25         | φ30         | φ35         |
| 2700    |           |             |             |             |             | 22×25: 1.29 |             |             |             |
| 3300    |           |             |             |             |             | 22×30: 1.54 |             |             |             |
| 3900    |           | 22×25: 1.31 |             |             |             | 22×35: 1.77 | 25×25: 1.55 |             |             |
| 4700    |           | 22×30: 1.55 |             |             |             | 22×40: 2.01 | 25×30: 1.87 |             |             |
| 5600    |           | 22×35: 1.77 | 25×25: 1.56 |             |             | 22×45: 2.25 | 25×35: 2.18 | 30×25: 1.80 |             |
| 6800    |           | 22×40: 2.02 | 25×30: 1.88 |             |             | 22×50: 2.49 | 25×40: 2.45 | 30×30: 2.28 |             |
| 8200    |           | 22×45: 2.27 | 25×35: 2.18 | 30×25: 1.92 |             |             | 25×45: 2.80 | 30×35: 2.69 |             |
| 10000   |           | 22×50: 2.56 | 25×40: 2.53 | 30×30: 2.38 |             |             |             | 30×40: 3.04 | 35×30: 2.78 |
| 12000   |           |             | 25×45: 2.79 | 30×35: 2.70 | 35×30: 2.76 |             |             | 30×45: 3.38 | 35×35: 3.30 |
| 15000   |           |             |             | 30×40: 3.13 | 35×30: 3.00 |             |             |             | 35×40: 3.88 |
| 18000   |           |             |             | 30×45: 3.52 | 35×35: 3.50 |             |             |             | 35×45: 4.40 |
| 22000   |           |             |             | 30×50: 3.92 | 35×40: 3.95 |             |             |             |             |
| 27000   |           |             |             |             | 35×50: 4.72 |             |             |             |             |

| Cap(μF) | Vdc<br>φD | 50          |             |             |             | 63          |             |             |             |
|---------|-----------|-------------|-------------|-------------|-------------|-------------|-------------|-------------|-------------|
|         |           | φ22         | φ25         | φ30         | φ35         | φ22         | φ25         | φ30         | φ35         |
| 1000    |           |             |             |             |             | 22×25: 1.10 |             |             |             |
| 1200    |           |             |             |             |             | 22×25: 1.17 |             |             |             |
| 1500    |           | 22×25: 1.21 |             |             |             | 22×30: 1.41 | 25×25: 1.38 |             |             |
| 1800    |           | 22×25: 1.28 |             |             |             | 22×35: 1.62 | 25×30: 1.63 |             |             |
| 2200    |           | 22×30: 1.52 | 25×25: 1.46 |             |             | 22×40: 1.85 | 25×30: 1.75 | 30×25: 1.66 |             |
| 2700    |           | 22×35: 1.77 | 25×30: 1.76 |             |             | 22×45: 2.10 | 25×35: 2.03 | 30×30: 2.01 |             |
| 3300    |           | 22×40: 2.02 | 25×30: 1.87 | 30×25: 1.72 |             |             | 25×40: 2.33 | 30×30: 2.15 |             |
| 3900    |           | 22×45: 2.27 | 25×35: 2.20 | 30×30: 2.09 |             |             | 25×45: 2.58 | 30×35: 2.46 | 35×30: 2.31 |
| 4700    |           |             | 25×40: 2.43 | 30×30: 2.22 |             |             |             | 30×40: 2.82 | 35×35: 2.77 |
| 5600    |           |             | 25×45: 2.72 | 30×35: 2.58 | 35×30: 2.35 |             |             | 30×45: 3.22 | 35×40: 3.20 |
| 6800    |           |             |             | 30×40: 3.01 | 35×35: 2.91 |             |             |             | 35×45: 3.61 |
| 8200    |           |             |             | 30×50: 3.63 | 35×40: 3.36 |             |             |             | 35×50: 3.94 |
| 10000   |           |             |             |             | 35×45: 3.79 |             |             |             |             |
| 12000   |           |             |             |             | 35×50: 4.06 |             |             |             |             |

| Cap(μF) | Vdc<br>φD | 80          |             |             |             | 100         |             |             |             |
|---------|-----------|-------------|-------------|-------------|-------------|-------------|-------------|-------------|-------------|
|         |           | φ22         | φ25         | φ30         | φ35         | φ22         | φ25         | φ30         | φ35         |
| 560     |           |             |             |             |             | 22×25: 1.01 |             |             |             |
| 680     |           |             |             |             |             | 22×30: 1.19 |             |             |             |
| 820     |           | 22×25: 1.09 |             |             |             | 22×35: 1.33 | 25×25: 1.26 |             |             |
| 1000    |           | 22×30: 1.29 |             |             |             | 22×40: 1.56 | 25×30: 1.52 | 30×25: 1.47 |             |
| 1200    |           | 22×35: 1.48 | 25×25: 1.32 |             |             | 22×45: 1.76 | 25×35: 1.76 | 30×30: 1.76 |             |
| 1500    |           | 22×40: 1.70 | 25×30: 1.74 | 30×25: 1.58 |             |             | 25×40: 2.03 | 30×30: 1.89 |             |
| 1800    |           | 22×45: 1.91 | 25×35: 1.86 | 30×25: 1.68 |             |             | 25×45: 2.29 | 30×35: 2.19 | 35×30: 2.05 |
| 2200    |           |             | 25×45: 2.22 | 30×30: 2.02 |             |             |             | 30×40: 2.52 | 35×35: 2.48 |
| 2700    |           |             |             | 30×35: 2.50 | 35×30: 2.18 |             |             | 30×45: 2.86 | 35×40: 2.87 |
| 3300    |           |             |             | 30×40: 2.69 | 35×35: 2.60 |             |             |             | 35×45: 3.25 |
| 3900    |           |             |             | 30×45: 2.94 | 35×40: 3.00 |             |             |             | 35×50: 3.56 |
| 4700    |           |             |             |             | 35×45: 3.44 |             |             |             |             |
| 5600    |           |             |             |             | 35×50: 3.72 |             |             |             |             |

↑ Ripple Current (A r.m.s./120Hz, 105°C)  
 Case Size φD×L(mm)

**◆ STANDARD SIZE**

| Cap(μF) | Vdc<br>φD | 200         |             |             |             | 220         |             |             |             |
|---------|-----------|-------------|-------------|-------------|-------------|-------------|-------------|-------------|-------------|
|         |           | φ22         | φ25         | φ30         | φ35         | φ22         | φ25         | φ30         | φ35         |
| 270     |           | 22×25: 1.31 |             |             |             | 22×25: 1.31 |             |             |             |
| 330     |           | 22×30: 1.53 |             |             |             | 22×30: 1.53 |             |             |             |
| 390     |           | 22×30: 1.61 | 25×25: 1.49 |             |             | 22×35: 1.73 | 25×25: 1.49 |             |             |
| 470     |           | 22×35: 1.84 | 25×30: 1.75 |             |             | 22×40: 1.96 | 25×30: 1.73 |             |             |
| 560     |           | 22×40: 2.07 | 25×30: 1.81 |             |             | 22×45: 2.18 | 25×35: 1.97 | 30×25: 1.60 |             |
| 680     |           | 22×45: 2.32 | 25×35: 2.07 | 30×25: 1.67 |             | 22×50: 2.43 | 25×40: 2.23 | 30×30: 1.89 | 35×25: 1.58 |
| 820     |           | 22×50: 2.58 | 25×40: 2.33 | 30×30: 1.95 | 35×25: 1.65 | 22×60: 2.80 | 25×45: 2.48 | 30×35: 2.17 | 35×30: 1.91 |
| 1000    |           |             | 25×45: 2.62 | 30×35: 2.23 | 35×30: 1.94 |             | 25×50: 2.77 | 30×40: 2.43 | 35×35: 2.21 |
| 1200    |           |             |             | 30×40: 2.50 | 35×35: 2.24 |             | 25×60: 3.16 | 30×45: 2.68 | 35×40: 2.48 |
| 1500    |           |             |             | 30×45: 2.82 | 35×40: 2.56 |             |             | 30×50: 3.01 | 35×40: 2.50 |
| 1800    |           |             |             |             | 35×45: 2.85 |             |             | 30×60: 3.48 | 35×50: 3.04 |
| 2200    |           |             |             |             | 35×50: 3.14 |             |             |             | 35×60: 3.40 |

| Cap(μF) | Vdc<br>φD | 250         |             |             |             | 400         |             |             |             |
|---------|-----------|-------------|-------------|-------------|-------------|-------------|-------------|-------------|-------------|
|         |           | φ22         | φ25         | φ30         | φ35         | φ22         | φ25         | φ30         | φ35         |
| 82      |           |             |             |             |             | 22×25: 0.77 |             |             |             |
| 100     |           |             |             |             |             | 22×30: 0.89 |             |             |             |
| 120     |           |             |             |             |             | 22×30: 0.96 | 25×25: 0.95 |             |             |
| 150     |           |             |             |             |             | 22×35: 1.11 | 25×30: 1.11 |             |             |
| 180     |           |             |             |             |             | 22×40: 1.25 | 25×35: 1.26 | 30×25: 1.16 |             |
| 220     |           | 22×25: 1.22 |             |             |             | 22×50: 1.47 | 25×35: 1.35 | 30×30: 1.35 | 35×25: 1.26 |
| 270     |           | 22×30: 1.43 |             |             |             | 22×55: 1.65 | 25×45: 1.61 | 30×35: 1.54 | 35×30: 1.48 |
| 330     |           | 22×35: 1.64 | 25×25: 1.39 |             |             |             | 25×50: 1.80 | 30×40: 1.74 | 35×30: 1.54 |
| 390     |           | 22×40: 1.84 | 25×30: 1.65 |             |             |             | 25×55: 1.99 | 30×45: 1.93 | 35×35: 1.74 |
| 470     |           | 22×45: 2.06 | 25×35: 1.88 | 30×25: 1.55 |             |             |             | 30×50: 2.14 | 35×40: 1.95 |
| 560     |           | 22×50: 2.29 | 25×40: 2.11 | 30×30: 1.84 | 35×25: 1.56 |             |             | 30×60: 2.44 | 35×45: 2.19 |
| 680     |           | 22×55: 2.54 | 25×45: 2.36 | 30×35: 2.11 | 35×30: 1.80 |             |             |             | 35×50: 2.40 |
| 820     |           |             | 25×50: 2.61 | 30×40: 2.36 | 35×30: 1.81 |             |             |             | 35×60: 2.77 |
| 1000    |           |             | 25×60: 3.02 | 30×45: 2.63 | 35×35: 2.38 |             |             |             |             |
| 1200    |           |             |             | 30×50: 2.85 | 35×40: 2.41 |             |             |             |             |
| 1500    |           |             |             | 30×60: 3.31 | 35×50: 2.92 |             |             |             |             |
| 1800    |           |             |             |             | 35×55: 3.12 |             |             |             |             |

| Cap(μF) | Vdc<br>φD | 420         |             |             |             | 450         |             |             |             |
|---------|-----------|-------------|-------------|-------------|-------------|-------------|-------------|-------------|-------------|
|         |           | φ22         | φ25         | φ30         | φ35         | φ22         | φ25         | φ30         | φ35         |
| 82      |           | 22×25: 0.75 |             |             |             | 22×25: 0.76 |             |             |             |
| 100     |           | 22×30: 0.87 |             |             |             | 22×30: 0.88 | 25×25: 0.86 |             |             |
| 120     |           | 22×35: 0.99 | 25×25: 0.93 |             |             | 22×35: 1.00 | 25×30: 0.99 |             |             |
| 150     |           | 22×40: 1.14 | 25×30: 1.08 |             |             | 22×40: 1.14 | 25×30: 1.09 | 30×25: 1.08 |             |
| 180     |           | 22×45: 1.28 | 25×35: 1.23 | 30×25: 1.14 |             | 22×45: 1.29 | 25×35: 1.23 | 30×30: 1.24 |             |
| 220     |           | 22×50: 1.44 | 25×40: 1.39 | 30×30: 1.32 | 35×25: 1.24 | 22×55: 1.49 | 25×40: 1.40 | 30×30: 1.32 | 35×25: 1.23 |
| 270     |           | 22×60: 1.66 | 25×45: 1.57 | 30×35: 1.51 | 35×30: 1.45 |             | 25×50: 1.64 | 30×35: 1.51 | 35×30: 1.45 |
| 330     |           |             | 25×50: 1.77 | 30×40: 1.71 | 35×35: 1.66 |             |             | 30×45: 1.80 | 35×35: 1.65 |
| 390     |           |             | 25×60: 2.01 | 30×45: 1.89 | 35×40: 1.86 |             |             | 30×50: 1.98 | 35×40: 1.85 |
| 470     |           |             |             | 30×50: 2.09 | 35×40: 1.93 |             |             | 30×55: 2.19 | 35×45: 2.05 |
| 560     |           |             |             | 30×60: 2.39 | 35×50: 2.27 |             |             |             | 35×50: 2.26 |
| 680     |           |             |             |             | 35×55: 2.48 |             |             |             | 35×55: 2.49 |
| 820     |           |             |             |             | 35×60: 2.69 |             |             |             |             |

| Cap(μF) | Vdc<br>φD | 475         |             |             |             | 500         |             |             |             |
|---------|-----------|-------------|-------------|-------------|-------------|-------------|-------------|-------------|-------------|
|         |           | φ22         | φ25         | φ30         | φ35         | φ22         | φ25         | φ30         | φ35         |
| 47      |           |             |             |             |             | 22×25: 0.58 |             |             |             |
| 56      |           | 22×25: 0.62 |             |             |             | 22×30: 0.66 |             |             |             |
| 68      |           | 22×30: 0.71 |             |             |             | 22×30: 0.73 | 25×25: 0.72 |             |             |
| 82      |           | 22×30: 0.77 | 25×25: 0.77 |             |             | 22×35: 0.83 | 25×30: 0.83 | 30×25: 0.83 |             |
| 100     |           | 22×35: 0.89 | 25×30: 0.88 |             |             | 22×40: 0.94 | 25×35: 0.94 | 30×25: 0.91 |             |
| 120     |           | 22×40: 1.00 | 25×30: 0.96 | 30×25: 0.96 |             | 22×50: 1.08 | 25×35: 1.02 | 30×30: 1.04 | 35×25: 1.01 |
| 150     |           | 22×45: 1.15 | 25×35: 1.11 | 30×30: 1.12 |             | 22×55: 1.24 | 25×45: 1.21 | 30×35: 1.19 | 35×30: 1.18 |
| 180     |           | 22×55: 1.32 | 25×40: 1.25 | 30×30: 1.20 | 35×25: 1.14 | 22×60: 1.38 | 25×50: 1.36 | 30×40: 1.34 | 35×30: 1.25 |
| 220     |           |             | 25×50: 1.45 | 30×35: 1.36 | 35×30: 1.33 |             | 25×55: 1.52 | 30×45: 1.51 | 35×40: 1.51 |
| 270     |           |             | 25×60: 1.68 | 30×40: 1.55 | 35×35: 1.52 |             |             | 30×50: 1.69 | 35×40: 1.62 |
| 330     |           |             |             | 30×55: 1.89 | 35×40: 1.71 |             |             | 30×55: 1.89 | 35×45: 1.81 |
| 390     |           |             |             |             | 35×50: 1.99 |             |             |             | 35×55: 2.08 |
| 470     |           |             |             |             | 35×60: 2.28 |             |             |             | 35×60: 2.28 |

↑ Ripple Current (A r.m.s./120Hz, 105°C)  
Case Size φD×L(mm)

# Mouser Electronics

Authorized Distributor

Click to View Pricing, Inventory, Delivery & Lifecycle Information:

## Rubycon:

[63VXG6800MEFCSN35X45](#) [10VXG39000MEFCSN30X45](#) [16VXG12000MEFCSN25X35](#)  
[10VXG56000MEFCSN35X50](#) [220VXG1800MEFCSN35X50](#) [475VXG390MEFCSN35X50](#) [16VXG18000MEFCSN30X35](#)  
[10VXG33000MEFCSN35X35](#) [250VXG560MEFCSN35X25](#) [400VXG560MEFCSN30X60](#)  
[16VXG18000MEFCSN25X45](#) [500VXG82MEFCSN25X30](#) [250VXG1800MEFCSN35X55](#) [80VXG1200MEFCSN25X25](#)  
[50VXG2700MEFCSN25X30](#) [220VXG1000MEFCSN35X35](#) [475VXG270MEFCSN25X60](#) [250VXG680MEFCSN30X35](#)  
[10VXG18000MEFCSN25X35](#) [100VXG1500MEFCSN22X50](#) [100VXG2200MEFCSN30X40](#)  
[10VXG33000MEFCSN30X40](#) [250VXG680MEFCSN22X55](#) [100VXG560MEFCSN22X25](#) [250VXG270MEFCSN22X30](#)  
[80VXG1500MEFCSN22X40](#) [35VXG8200MEFCSN25X45](#) [16VXG8200MEFCSN25X25](#) [250VXG560MEFCSN25X40](#)  
[250VXG1000MEFCSN25X60](#) [250VXG1000MEFCSN30X45](#) [25VXG8200MEFCSN22X45](#) [63VXG2700MEFCSN22X45](#)  
[250VXG390MEFCSN22X40](#) [250VXG820MEFCSN25X50](#) [10VXG12000MEFCSN22X35](#)  
[16VXG27000MEFCSN30X45](#) [500VXG68MEFCSN25X25](#) [475VXG100MEFCSN25X30](#) [100VXG3900MEFCSN35X50](#)  
[250VXG1500MEFCSN35X50](#) [220VXG1200MEFCSN25X60](#) [475VXG82MEFCSN22X30](#) [16VXG18000MEFCSN35X30](#)  
[50VXG5600MEFCSN35X30](#) [475VXG82MEFCSN25X25](#) [10VXG47000MEFCSN35X45](#) [50VXG1500MEFCSN22X25](#)  
[220VXG1000MEFCSN30X40](#) [80VXG1200MEFCSN22X35](#) [63VXG5600MEFCSN35X40](#) [10VXG27000MEFCSN30X35](#)  
[80VXG4700MEFCSN35X45](#) [63VXG2200MEFCSN22X40](#) [475VXG68MEFCSN22X30](#) [50VXG8200MEFCSN35X40](#)  
[250VXG330MEFCSN22X35](#) [63VXG1500MEFCSN22X30](#) [450VXG220MEFCSN22X55](#) [16VXG22000MEFCSN30X40](#)  
[250VXG820MEFCSN30X40](#) [220VXG1200MEFCSN30X45](#) [16VXG15000MEFCSN25X40](#) [35VXG8200MEFCSN30X35](#)  
[50VXG6800MEFCSN35X35](#) [250VXG470MEFCSN25X35](#) [80VXG1800MEFCSN22X45](#) [475VXG180MEFCSN22X55](#)  
[63VXG1500MEFCSN25X25](#) [10VXG18000MEFCSN22X45](#) [63VXG2200MEFCSN30X25](#) [80VXG3900MEFCSN35X40](#)  
[450VXG470MEFCSN30X55](#) [475VXG100MEFCSN22X35](#) [500VXG56MEFCSN22X30](#) [50VXG8200MEFCSN30X50](#)  
[220VXG2200MEFCSN35X60](#) [10VXG27000MEFCSN25X45](#) [450VXG120MEFCSN25X30](#) [50VXG3300MEFCSN30X25](#)  
[250VXG390MEFCSN25X30](#) [80VXG1500MEFCSN25X30](#) [80VXG2200MEFCSN25X45](#) [10VXG47000MEFCSN30X50](#)  
[500VXG82MEFCSN30X25](#) [63VXG1200MEFCSN22X25](#) [250VXG470MEFCSN22X45](#) [80VXG2200MEFCSN30X30](#)  
[10VXG39000MEFCSN35X40](#) [10VXG8200MEFCSN22X25](#) [100VXG820MEFCSN25X25](#) [63VXG2200MEFCSN25X30](#)  
[25VXG8200MEFCSN25X35](#) [500VXG47MEFCSN22X25](#) [100VXG2700MEFCSN30X45](#) [500VXG82MEFCSN22X35](#)  
[475VXG120MEFCSN22X40](#) [250VXG560MEFCSN30X30](#) [63VXG8200MEFCSN35X50](#) [250VXG1500MEFCSN30X60](#)



Компания «ЭлектроПласт» предлагает заключение долгосрочных отношений при поставках импортных электронных компонентов на взаимовыгодных условиях!

Наши преимущества:

- Оперативные поставки широкого спектра электронных компонентов отечественного и импортного производства напрямую от производителей и с крупнейших мировых складов;
- Поставка более 17-ти миллионов наименований электронных компонентов;
- Поставка сложных, дефицитных, либо снятых с производства позиций;
- Оперативные сроки поставки под заказ (от 5 рабочих дней);
- Экспресс доставка в любую точку России;
- Техническая поддержка проекта, помощь в подборе аналогов, поставка прототипов;
- Система менеджмента качества сертифицирована по Международному стандарту ISO 9001;
- Лицензия ФСБ на осуществление работ с использованием сведений, составляющих государственную тайну;
- Поставка специализированных компонентов (Xilinx, Altera, Analog Devices, Intersil, Interpoint, Microsemi, Aeroflex, Peregrine, Syfer, Eurofarad, Texas Instrument, Miteq, Cobham, E2V, MA-COM, Hittite, Mini-Circuits, General Dynamics и др.);

Помимо этого, одним из направлений компании «ЭлектроПласт» является направление «Источники питания». Мы предлагаем Вам помощь Конструкторского отдела:

- Подбор оптимального решения, техническое обоснование при выборе компонента;
- Подбор аналогов;
- Консультации по применению компонента;
- Поставка образцов и прототипов;
- Техническая поддержка проекта;
- Защита от снятия компонента с производства.



#### Как с нами связаться

**Телефон:** 8 (812) 309 58 32 (многоканальный)

**Факс:** 8 (812) 320-02-42

**Электронная почта:** [org@eplast1.ru](mailto:org@eplast1.ru)

**Адрес:** 198099, г. Санкт-Петербург, ул. Калинина, дом 2, корпус 4, литера А.