



MICRO SWITCH™  
Medium-Duty Limit Switches  
**E7 and V7 Series**



# MICRO SWITCH™ E7 and V7 Series Medium-Duty Limit Switches

Honeywell MICRO SWITCH™ E7/V7 Series medium duty limit switches are designed for a wide variety of indoor and outdoor applications. Typical applications include equipment for commercial, industrial, and transportation industries. The electrostatic applied epoxy coating to the aluminum housings enhances the durability of the product in most applications. The E7/V7 family of switches incorporates the Honeywell MICRO SWITCH™ BZ switch element which has the reliable snap-spring mechanism with more than 60 years of proven service.

The sealed (plungers with boots) E7/V7 Series are preferred for applications where there could be exposure to liquid and/or particulate environments. The unsealed E7/V7 Series are ideal for applications where there will not be exposure to liquid or dust environments. The compact size of the limit switch permits installation where there is limited space available on equipment.

The SPDT (Single Pole Double Throw) E7/E7S/V7/E9 Series of catalog listings are certified to CE and CSA for world-wide applications. While the DPDT (Double Pole Double Throw) E7/E7S/V7/E9 Series of catalog listings are certified to CE for many applications.

## *What makes our switches better?*

- Designed with MICRO SWITCH™ BZ or DT basic switches to deliver precise switching of electrical and mechanical operating characteristics
- Rugged, epoxy-coated aluminum housing for indoor and outdoor applications
- Small footprint with easy access to wiring terminals
- Available in a configuration suited to the application with variety of actuators, circuitries, conduits, and mounting options



HIGH PERFORMANCE • DURABILITY  
CUSTOMIZATION • EASY TO INSTALL

# Features and Benefits

## DESIGNED FOR DEMANDING ENVIRONMENTS AND APPLICATIONS

MICRO SWITCH™ E7/V7 Series switches include a wide variety of actuators and feature an electrostatic epoxy coated aluminum housing for durability in a wide range of applications. The products are engineered with MICRO SWITCH™ BZ or DT internal basic switches that have years of proven service.

### *Side and flange mounting options*

#### RELIABLY HANDLES ELECTRICAL LOADS

The E7/V7 Series are available with SPDT contacts or DPDT contacts with momentary action to meet circuit requirements. The BZE/BZV Series with SPDT contacts is rated for AC15, A300 and DC13, Q300 for typical ac and dc applications. The DTE Series with DPDT contacts is rated for AC15, B300 and DC13, R300 for typical ac and dc applications. An internal ground screw is provided to meet electrical codes as required.

#### DESIGN FLEXIBILITY

These limit switches are offered with multiple connectivity options: two different conduit offerings, with single or double conduits.

#### GLOBAL APPROVALS

The BZE7, BZE7S, BZV7, and BZE9 Series with SPDT (single-pole double throw) contacts are certified to CE and CSA for worldwide applications. The DTE7 and DTE7S Series with DPDT (double-pole double throw) contacts are certified to CE for many uses.

#### INDOOR AND OUTDOOR OPTIONS

The Series' temperature range of -30 °C to 70 °C [-22 °F to 158 °F] makes the switch well suited for a wide range of indoor and outdoor applications.

# Potential Applications



## INDUSTRIAL

- Escalator obstruction detection – Roller actuator mounted behind skirt on escalators, if activated, power to the escalator is cut to avoid injury
- Air curtain – A component in a circuit for control of air stream
- Door or gate position – Can provide a signal when a door or gate is opened or closed
- Commercial food processing – For large scale food preparation, to ensure all features are in the desired operating position

## TRANSPORTATION

- Traffic barrier signaling – If traffic barrier lowers, signal lights can be activated

Figure 1. MICRO SWITCH™ E7/V7 Features and Options



### Four mounting options

- Diagonal side mount (**E7 Series**)
- Side mount on 25,4 mm centers (**E7S Series**)
- Side mount on 76 mm centers with double conduit (**E9 Series**)
- Flange mount (**V7 Series**)

# MICRO SWITCH™ Medium-Duty Limit Switches

**Table 1. Specifications**

Characteristic	Parameter
Actuators	top pin plunger (boot sealed or standard type); inline roller plunger (boot sealed or standard type); cross roller plunger (boot sealed or standard type); roller lever adjustable (boot sealed or standard type); one-way roller lever adjustable (boot sealed); coil spring wobble (boot sealed)
Enclosure type	diagonal side mount with single conduit (E7 type); diagonal side mount or side mount with single conduit (E7S type), side mount with double conduit (E9 type) flange mount with single conduit (V7 type)
Housing material	electrostatic epoxy coated aluminum
Termination	threaded conduit, 20 mm or PG 13,5
Sealing	actuator with boot seal: IP65 actuator (QN8 style) with internal plunger seal: IP65 actuator without boot seal or internal plunger seal: IP50
Switching options	SPDT (snap-action contacts) 1NC/1NO, same polarity DPDT (snap-action contacts) 2NC/2NO, each pole same polarity
Operating temperature	-30 °C to 70 °C [-22 °F to 158 °F]
Electrical rating	see tables 2 and 3
Rated impulse voltage $U_i$	1.5 kV
Pollution degree (with enclosure)	1 (DTE Series); 2 (BZE and BZV Series)
Agency certifications	EN/IEC 60947-5-1 (all Series); CSA file 15775 (BZ prefix only)

**Table 2. BZE and BZV Series Electrical Ratings: EN60947-5-1, IEC 60947-5-1**

Designation & Category	Thermal Current, $I_t$ (Amps)	Rated Operational Voltage, $U_e$	Rated Operational Amps, $I_e$	VA Rating Make	VA Rating Break
AC15, A300	10	120	6	7200	720
AC15, A300	10	240	3	7200	720
DC13, Q300	10	125	0.55	69	69
DC13, Q300	10	250	0.27	69	69

**Table 3. DTE Electrical Ratings: EN60947-5-1, IEC 60947-5-1**

Designation & Category	Thermal Current, $I_t$ (Amps)	Rated Operational Voltage, $U_e$	Rated Operational Amps, $I_e$	VA Rating Make	VA Rating Break
AC15, B300	5	120	3	3600	360
AC15, B300	5	240	1.5	3600	360
DC13, R300	5	125	0.22	28	28
DC13, R300	5	250	0.1	28	28

**Table 4. Switching**



# E7 and V7 Series

## PRODUCT NOMENCLATURE

<b>BZ</b>	<b>E7</b>	—	<b>2</b>	<b>R</b>	<b>N</b>	<b>2</b>	—	<b>C</b>
Switch Type	Enclosure Type		Internal Base Switch Construction	Contact	Plunger Type	Actuator Code		Conduit Thread
<b>BZ</b> Series Basic Switch, SPDT	<b>E7</b> Diagonal side mount w/ single conduit entry <sup>2</sup>		<b>2</b> Standard (single break)	<b>R</b> Standard	<b>N</b> Seal boot	Pin plunger (blank)		<b>PG</b> PG 13,5 mm conduit
	<b>V7</b> Flange mount version of E7				<b>Q</b> No seal boot	<b>2</b> Adjustable roller lever	<b>C</b> 20 mm conduit	
<b>DT</b> Series Basic Switch <sup>2</sup> , DPDT	<b>E7S</b> Side mount w/ single conduit entry* <sup>2</sup>				<b>QN</b> Inline roller plunger with internal plunger seal <sup>3</sup>	<b>8</b> Roller plunger		
	<b>E9</b> Side mount w/ double conduit entry					<b>9</b> Inline roller plunger with removeable roller <sup>3</sup>		
							<b>18</b> Coil spring wobble stick	
						<b>28</b> One-way roller lever		
						<b>81</b> Cross roller plunger		

\* mounting holes provide interchangeability with BZE6 products

<sup>1</sup> NOTE: not all combinations of model code are available. Please contact your Honeywell provider/representative for assistance.  
<sup>2</sup> DT Series basic switch available with enclosure type E7 or E7S only.  
<sup>3</sup> With "Q" style plunger only.

# MICRO SWITCH™ Medium-Duty Limit Switches

Table 5. Order Guide • E7 Diagonal Side Mount with Sealed Actuator

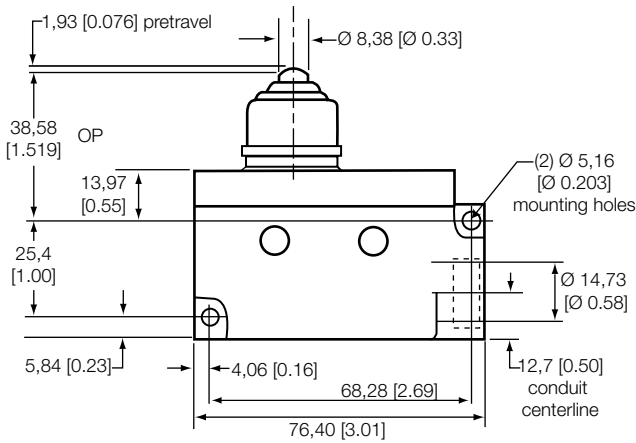
For catalog listings not shown, please contact your Honeywell distributor or representative.

	Catalog Listing	Switch type, Circuitry	Electrical Rating [page 5]	Operate Force g [oz]	Operate Point mm [in]	Pretravel max. mm [in]	Over Travel min. mm [in]	Differential Travel max. mm [in]	Conduit Thread	Comments
 <b>Pin Plunger</b> (see Figure 1)	<b>BZE7-2RN-C</b>	BZ, SPDT	A300, Q300	255 to 680 [9 to 24]	38,58 ±0,76 [1.519 ±0.030]	1,98 [0.078]	5,56 [0.219]	0,05 [0.002]	20 mm	
	<b>BZE7-2RN-PG</b>	BZ, SPDT	A300, Q300	255 to 680 [9 to 24]	38,58 ±0,76 [1.519 ±0.030]	1,98 [0.078]	5,56 [0.219]	0,05 [0.002]	PG 13,5	
	<b>DTE7-2RN-C</b>	DT, DPDT	B300, R300	454 to 1389 [16 to 49]	40,95 ±1,14 [1.612 ±0.045]	3,18 [0.125]	3,18 [0.125]	1,78 [0.070]	20 mm	
	<b>DTE7-2RN-PG</b>	DT, DPDT	B300, R300	454 to 1389 [16 to 49]	40,95 ±1,14 [1.612 ±0.045]	3,18 [0.125]	3,18 [0.125]	1,78 [0.070]	PG 13,5	
 <b>Inline Roller Plunger</b> (see Figure 2)	<b>BZE7-2RQN8-C</b>	BZ, SPDT	A300, Q300	3628 [128] max.	59,56 ±1,19 [2.345 ±0.047]	3,81 [0.150]	3,18 [0.125]	0,05 [0.002]	20 mm	Roller plunger assembly can be positioned at 90° increments
	<b>BZE7-2RQN8-PG</b>	BZ, SPDT	A300, Q300	3628 [128] max.	59,56 ±1,19 [2.345 ±0.047]	3,81 [0.150]	3,18 [0.125]	0,05 [0.002]	PG 13,5	
	<b>DTE7-2RQN8-C</b>	DT, DPDT	B300, R300	3628 [128] max.	59,31 ±1,19 [2.335 ±0.047]	4,06 [0.160]	3,18 [0.125]	1,65 [0.065]	20 mm	
	<b>DTE7-2RQN8-PG</b>	DT, DPDT	B300, R300	3628 [128] max.	59,31 ±1,19 [2.335 ±0.047]	4,06 [0.160]	3,18 [0.125]	1,65 [0.065]	PG 13,5	
 <b>Roller Lever</b> (see Figure 3)	<b>BZE7-2RN2-C</b>	BZ, SPDT	A300, Q300	284 to 567 [10 to 20]	66,34 [2.612] Ref	4,78 [0.188]	5,56 [0.219]	0,20 [0.008]	20 mm	
	<b>BZE7-2RN2-PG</b>	BZ, SPDT	A300, Q300	284 to 567 [10 to 20]	66,34 [2.612] Ref	4,78 [0.188]	5,56 [0.219]	0,20 [0.008]	PG 13,5	
	<b>DTE7-2RN2-C</b>	DT, DPDT	B300, R300	1134 [40] max.	64,36 [2.534] Ref	6,76 [0.266]	5,56 [0.219]	4,19 [0.165]	20 mm	
	<b>DTE7-2RN2-PG</b>	DT, DPDT	B300, R300	1134 [40] max.	64,36 [2.534] Ref	6,76 [0.266]	5,56 [0.219]	4,19 [0.165]	PG 13,5	
 <b>One-way Roller Lever</b> (see Figure 4)	<b>BZE7-2RN28-C</b>	BZ, SPDT	A300, Q300	284 to 567 [10 to 20]	-	5,94 [0.234]	5,56 [0.219]	0,15 [0.006]	20 mm	
	<b>BZE7-2RN28-PG</b>	BZ, SPDT	A300, Q300	284 to 567 [10 to 20]	-	5,94 [0.234]	5,56 [0.219]	0,15 [0.006]	PG 13,5	
	<b>DTE7-2RN28-C</b>	DT, DPDT	B300, R300	1134 [40] max.	-	6,76 [0.266]	5,56 [0.219]	4,19 [0.165]	20 mm	
 <b>Coil-Spring Wobble</b> (see Figure 5)	<b>BZE7-2RN18-C</b>	BZ, SPDT	A300, Q300	-	-	15°	20° Ref	-	20 mm	
	<b>BZE7-2RN18-PG</b>	BZ, SPDT	A300, Q300	-	-	15°	20° Ref	-	PG 13,5	

# E7 and V7 Series

## DIMENSIONS

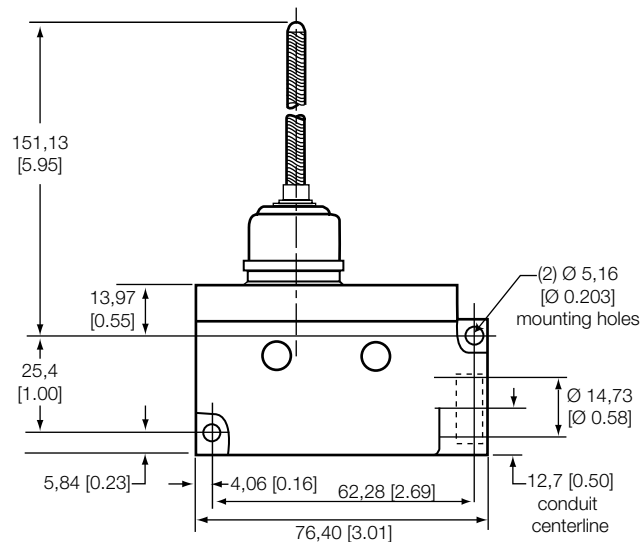
**Figure 1. E7 Series, top pin plunger, diagonal mount with boot seal**



**Figure 3. E7 Series, roller lever, diagonal mount with boot seal**



**Figure 5. E7 Series, coil wobble, diagonal mount with boot seal**



**Figure 2. E7 Series, inline roller plunger, diagonal mount, sealed**



**Figure 4. E7 Series, one-way roller lever, diagonal mount with boot seal**









# MICRO SWITCH™ Medium-Duty Limit Switches

Table 6. Order Guide • E7 Series Switches, Diagonal Mount without Boot Sealed Actuator

For catalog listings not shown, please contact your Honeywell distributor or representative.

	Catalog Listing	Switch type, Circuitry	Electrical Rating [page 5]	Operate Force g [oz]	Operate Point mm [in]	Pretravel max. mm [in]	Over Travel min. mm [in]	Differential Travel max. mm [in]	Conduit Thread	Comments
 <b>Pin Plunger</b> (see Figure 6)	<b>BZE7-2RQ-C</b>	BZ, SPDT	A300, Q300	255 to 369 [9 to 13]	28,70 ±0,76 [1.30 ±0.030]	0,38 [0.015]	5,56 [0.219]	0,05 [0.002]	20 mm	
	<b>BZE7-2RQ-PG</b>	BZ, SPDT	A300, Q300	255 to 369 [9 to 13]	28,70 ±0,76 [1.30 ±0.030]	0,38 [0.015]	5,56 [0.219]	0,05 [0.002]	PG 13,5	
 <b>Inline Roller Plunger</b> (see Figure 7)	<b>BZE7-2RQ8-C</b>	BZ, SPDT	A300, Q300	255 to 369 [9 to 13]	44,53 ±1,19 [1.753 ±0.047]	0,38 [0.015]	3,56 [0.140]	0,05 [0.002]	20 mm	
	<b>BZE7-2RQ8-PG</b>	BZ, SPDT	A300, Q300	255 to 369 [9 to 13]	44,53 ±1,19 [1.753 ±0.047]	0,38 [0.015]	3,56 [0.140]	0,05 [0.002]	PG 13,5	
	<b>BZE7-2RQ9-C<sup>1</sup></b>	BZ, SPDT	A300, Q300	255 to 369 [9 to 13]	44,53 ±1,19 [1.753 ±0.047]	0,38 [0.015]	3,56 [0.140]	0,05 [0.002]	20 mm	Removable roller
	<b>BZE7-2RQ9-PG<sup>1</sup></b>	BZ, SPDT	A300, Q300	255 to 369 [9 to 13]	44,53 ±1,19 [1.753 ±0.047]	0,38 [0.015]	3,56 [0.140]	0,05 [0.002]	PG 13,5	Removable roller
 <b>Cross Roller Plunger</b> (see Figure 8)	<b>BZE7-2RQ81-C</b>	BZ, SPDT	A300, Q300	255 to 369 [9 to 13]	44,53 ±1,19 [1.753 ±0.047]	0,38 [0.015]	3,56 [0.140]	0,05 [0.002]	20 mm	
	<b>BZE7-2RQ81-PG</b>	BZ, SPDT	A300, Q300	255 to 369 [9 to 13]	44,53 ±1,19 [1.753 ±0.047]	0,38 [0.015]	3,56 [0.140]	0,05 [0.002]	PG 13,5	
 <b>Roller Lever</b> (see Figure 9)	<b>BZE7-2RQ2-C</b>	BZ, SPDT	A300, Q300	284 to 510 [10 to 18]	56,03 [2.206] Ref.	4,78 [0.188]	5,56 [0.219]	0,15 [0.006]	20 mm	
	<b>BZE7-2RQ2-PG</b>	BZ, SPDT	A300, Q300	284 to 510 [10 to 18]	56,03 [2.206] Ref.	4,78 [0.188]	5,56 [0.219]	0,15 [0.006]	PG 13,5	

<sup>1</sup> With roller removed, plunger can be rotated 90° and roller re-assembled for a cross roller plunger.

# E7 and V7 Series

## DIMENSIONS

Figure 6. E7 Series, top pin plunger, diagonal mount



Figure 7. E7 Series, inline roller plunger, diagonal mount



Figure 8. E7 Series, cross roller plunger, diagonal mount



Figure 9. E7 Series, roller lever, diagonal mount



# MICRO SWITCH™ Medium-Duty Limit Switches

Table 7. Order Guide • E7S Series Switches, Side or Diagonal Mount with Sealed Actuator

For catalog listings not shown, please contact your Honeywell distributor or representative.

	Catalog Listing	Switch type, Circuitry	Electrical Rating [page 5]	Operate Force g [oz]	Operate Point mm [in]	Pretravel max. mm [in]	Over Travel min. mm [in]	Differential Travel max. mm [in]	Conduit Thread	Comments
 <b>Pin Plunger</b> (see Figure 10)	<b>BZE7S-2RN</b>	BZ, SPDT	A300, Q300	255 to 680 [9 to 24]	43,66 ±0,89 [1.719 ±0.035]	1,98 [0.078]	5,56 [0.219]	0,05 [0.002]	0.5-14 NPSM	
	<b>BZE7S-2RN-C</b>	BZ, SPDT	A300, Q300	255 to 680 [9 to 24]	43,66 ±0,89 [1.719 ±0.035]	1,98 [0.078]	5,56 [0.219]	0,05 [0.002]	20 mm	
	<b>BZE7S-2RN-PG</b>	BZ, SPDT	A300, Q300	255 to 680 [9 to 24]	43,66 ±0,89 [1.719 ±0.035]	1,98 [0.078]	5,56 [0.219]	0,05 [0.002]	PG 13,5	
	<b>DTE7S-2RN-C</b>	DT, DPDT	B300, R300	454 to 1389 [16 to 49]	46,02 ±1,27 [1.812 ±0.050]	3,18 [0.125]	3,18 [0.125]	1,78 [0.070]	20 mm	
 <b>Inline Roller Plunger</b> (see Figure 11)	<b>BZE7S-2RQN8-C</b>	BZ, SPDT	A300, Q300	3628 [128] max.	64,64 ±1,32 [2.545 ±0.052]	3,81 [0.150]	3,18 [0.125]	0,05 [0.002]	20 mm	Roller plunger assembly can be positioned at 90° increments
	<b>DTE7S-2RQN8-C</b>	DT, DPDT	B300, R300	3628 [128] max.	64,39 ±1,32 [2.535 ±0.052]	4,06 [0.160]	3,18 [0.125]	1,65 [0.065]	20 mm	
 <b>Roller Lever</b> (see Figure 12)	<b>BZE7S-2RN2-C</b>	BZ, SPDT	A300, Q300	284 to 567 [10 to 20]	71,42 [2.812 ] Ref.	4,76 [0.188]	5,56 [0.219]	0,15 [0.006]	20 mm	
	<b>BZE7S-2RN2-PG</b>	BZ, SPDT	A300, Q300	284 to 567 [10 to 20]	71,42 [2.812 ] Ref.	4,76 [0.188]	5,56 [0.219]	0,15 [0.006]	PG 13,5	
	<b>DTE7S-2RN2-C</b>	DT, DPDT	B300, R300	1134 [40] max.	69,44 [2.734 ] Ref.	6,76 [0.266]	5,56 [0.219]	4,19 [0.165]	20 mm	
 <b>One-Way Roller Lever</b> (see Figure 13)	<b>BZE7S-2RN28-C</b>	BZ, SPDT	A300, Q300	227 to 567 [8 to 20]	-	5,94 [0.234]	5,56 [0.219]	0,15 [0.006]	20 mm	

# E7 and V7 Series

## DIMENSIONS

**Figure 10. E7S Series, top pin plunger, side mount with boot seal**



**Figure 11. E7S Series, inline roller plunger, side mount, sealed**



**Figure 12. E7S Series, roller lever, side mount with boot seal**



**Figure 13. E7S Series, one-way roller lever, side mount with boot seal**



# MICRO SWITCH™ Medium-Duty Limit Switches

Table 8. Order Guide • E7S Series Switches, Side or Diagonal Mount without Boot Sealed Actuator

For catalog listings not shown, please contact your Honeywell distributor or representative.

	Catalog Listing	Switch type, Circuitry	Electrical Rating [page 5]	Operate Force g [oz]	Operate Point mm [in]	Pretravel max. mm [in]	Over Travel min. mm [in]	Differential Travel max. mm [in]	Conduit Thread	Comments
 <b>Pin Plunger</b> (see Figure 14)	<b>BZE7S-2RQ-C</b>	BZ, SPDT	A300, Q300	255 to 369 [9 to 13]	38,1 ±0,89 [1.5 ±0.035]	0,38 [0.015]	5,56 [0.219]	0,05 [0.002]	20 mm	
	<b>BZE7S-2RQ-PG</b>	BZ, SPDT	A300, Q300	255 to 369 [9 to 13]	38,1 ±0,89 [1.5 ±0.035]	0,38 [0.015]	5,56 [0.219]	0,05 [0.002]	PG 13,5	
 <b>Inline Roller Plunger</b> (see Figure 15)	<b>BZE7S-2RQ8-C</b>	BZ, SPDT	A300, Q300	255 to 369 [9 to 13]	49,61 ±1,32 [1.953 ±0.052]	0,38 [0.015]	3,56 [0.14]	0,05 [0.002]	20 mm	
	<b>BZE7S-2RQ8-PG</b>	BZ, SPDT	A300, Q300	255 to 369 [9 to 13]	49,61 ±1,32 [1.953 ±0.052]	0,38 [0.015]	3,56 [0.14]	0,05 [0.002]	PG 13,5	
	<b>BZE7S-2RQ9-C<sup>1</sup></b>	BZ, SPDT	A300, Q300	255 to 369 [9 to 13]	49,61 ±1,32 [1.953 ±0.052]	0,38 [0.015]	3,56 [0.14]	0,05 [0.002]	20 mm	Removable roller
	<b>DTE7S-2RQ9-C</b>	DT, DPDT	B300, R300	680 to 1361 [24 to 48]	49,61 ±1,19 [1.953 ±0.047]	3,56 [0.14]	3,18 [0.125]	1,65 [0.065]	20 mm	Roller plunger may be rotated to any position around C/L of plunger
	<b>DTE7S-2RQ9-PG</b>	DT, DPDT	B300, R300	680 to 1361 [24 to 48]	49,61 ±1,19 [1.953 ±0.047]	3,56 [0.14]	3,18 [0.125]	1,65 [0.066]	PG 13,5	
 <b>Cross Roller Plunger</b> (see Figure 16)	<b>BZE7S-2RQ81-C</b>	BZ, SPDT	A300, Q300	255 to 369 [9 to 13]	49,61 ±1,32 [1.953 ±0.052]	0,38 [0.015]	3,56 [0.14]	0,05 [0.002]	20 mm	
 <b>Roller Lever</b> (see Figure 17)	<b>BZE7S-2RQ2-C</b>	BZ, SPDT	A300, Q300	284 to 510 [10 to 18]	61,11 [2.406] Ref	4,78 [0.188]	5,56 [0.219]	0,15 [0.006]	20 mm	

<sup>1</sup> With roller removed, plunger can be rotated 90° and roller re-assembled for a cross roller plunger.

# E7 and V7 Series

## DIMENSIONS

Figure 14. E7S Series, top pin plunger, side mount

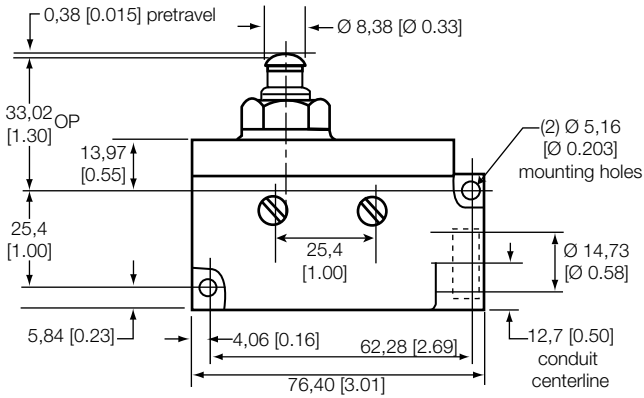


Figure 15. E7S Series, inline roller plunger, side mount



Figure 16. E7S Series, cross roller lever, side mount



Figure 17. E7S Series, roller lever, side mount



# MICRO SWITCH™ Medium-Duty Limit Switches

Table 9. Order Guide • E9 Series Switches, Side Mount with Sealed Actuator and Two Conduits

For catalog listings not shown, please contact your Honeywell distributor or representative.

	Catalog Listing	Switch type, Circuitry	Electrical Rating [page 5]	Operate Force g [oz]	Operate Point mm [in]	Pretravel max. mm [in]	Over Travel min. mm [in]	Differential Travel max. mm [in]	Conduit Thread	Comments
 <b>Pin Plunger</b> (see Figure 18)	<b>BZE9-2RN-C</b>	BZ, SPDT	A300, Q300	255 to 680 [9 to 24]	38,58 ±0,76 [1.519 ±0.030]	1,98 [0.078]	5,56 [0.219]	0,05 [0.002]	20 mm	
	<b>BZE9-2RN-PG</b>	BZ, SPDT	A300, Q300	255 to 680 [9 to 24]	38,58 ±0,76 [1.519 ±0.030]	1,98 [0.078]	5,56 [0.219]	0,05 [0.002]	PG 13,5	
	<b>BZE9-2RN-PG11</b>	BZ, SPDT	A300, Q300	255 to 680 [9 to 24]	38,58 ±0,76 [1.519 ±0.030]	1,98 [0.078]	5,56 [0.219]	0,05 [0.002]	PG 11	
 <b>Inline Roller Plunger</b> (see Figure 19)	<b>BZE9-2RQN8-PG</b>	BZ, SPDT	A300, Q300	3628 [128] max.	59,56 ±1,19 [2.345 ±0.047]	3,81 [0.150]	3,18 [0.125]	0,05 [0.002]	PG 13,5	Roller plunger assembly can be positioned at 90° increments
 <b>Roller Lever</b> (see Figure 20)	<b>BZE9-2RN2-C</b>	BZ, SPDT	A300, Q300	284 to 567 [10 to 20]	66,34 [2.612] Ref	4,78 [0.188]	5,56 [0.219]	0,20 [0.008]	20 mm	
	<b>BZE9-2RN2-PG</b>	BZ, SPDT	A300, Q300	284 to 567 [10 to 20]	66,34 [2.612] Ref	4,78 [0.188]	5,56 [0.219]	0,20 [0.008]	PG 13,5	
 <b>One-Way Roller Lever</b> (see Figure 21)	<b>BZE9-2RN28-PG</b>	BZ, SPDT	A300, Q300	227 to 256 [8 to 20]	-	5,94 [0.234]	5,56 [0.219]	0,15 [0.006]	PG 13,5	

# E7 and V7 Series

## DIMENSIONS

**Figure 18. E9 Series, top pin plunger, side mount with boot seal**



**Figure 19. E9 Series, inline roller plunger, side mount with seal**



**Figure 20. E9 Series, roller lever, side mount with boot seal**



**Figure 21. E9 Series, one-way roller lever, side mount with boot seal**





# MICRO SWITCH™ Medium-Duty Limit Switches

Table 10. Order Guide • E9 Series Switches, Side Mount without Boot Sealed Actuator and Two Conduits

For catalog listings not shown, please contact your Honeywell distributor or representative.

	Catalog Listing	Switch type, Circuitry	Electrical Rating [page 5]	Operate Force g [oz]	Operate Point mm [in]	Pretravel max. mm [in]	Over Travel min. mm [in]	Differential Travel max. mm [in]	Conduit Thread	Comments
 <b>Pin Plunger</b> (see Figure 22)	<b>BZE9-2RQ-PG</b>	BZ, SPDT	A300, Q300	255 to 369 [9 to 13]	28,70 ±0,76 [1.30 ±0.030]	0,38 [0.015]	5,56 [0.219]	0,05 [0.002]	PG 13,5	
 <b>Inline Roller Plunger</b> (see Figure 23)	<b>BZE9-2RQ8-C</b>	BZ, SPDT	A300, Q300	255 to 369 [9 to 13]	44,53 ±1,19 [1.753 ±0.047]	0,38 [0.015]	3,56 [0.140]	0,05 [0.002]	20 mm	
	<b>BZE9-2RQ8-PG</b>	BZ, SPDT	A300, Q300	255 to 369 [9 to 13]	44,53 ±1,19 [1.753 ±0.047]	0,38 [0.015]	3,56 [0.140]	0,05 [0.002]	PG 13,5	
 <b>Cross Roller Plunger</b> (see Figure 24)	<b>BZE9-2RQ81-PG</b>	BZ, SPDT	A300, Q300	255 to 369 [9 to 13]	44,53 ±1,19 [1.753 ±0.047]	0,38 [0.015]	3,56 [0.140]	0,05 [0.002]	PG 13,5	
 <b>Roller Lever</b> (see Figure 25)	<b>BZE9-2RQ2-PG</b>	BZ, SPDT	A300, Q300	284 to 510 [10 to 18]	56,03 [2.206] Ref.	4,78 [0.188]	5,56 [0.219]	0,15 [0.006]	PG 13,5	

# E7 and V7 Series

## DIMENSIONS

Figure 22. E9 Series, top pin plunger, side mount

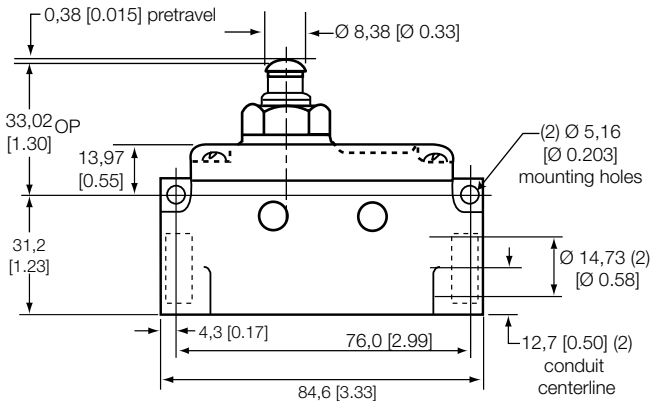


Figure 23. E9 Series, inline roller plunger, side mount

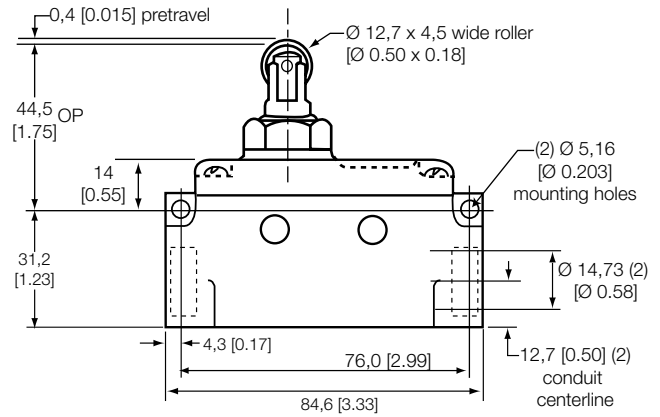


Figure 24. E9 Series, cross roller lever, side mount

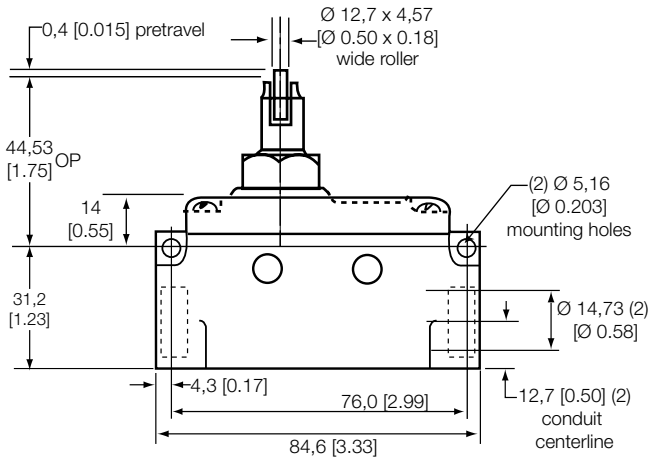
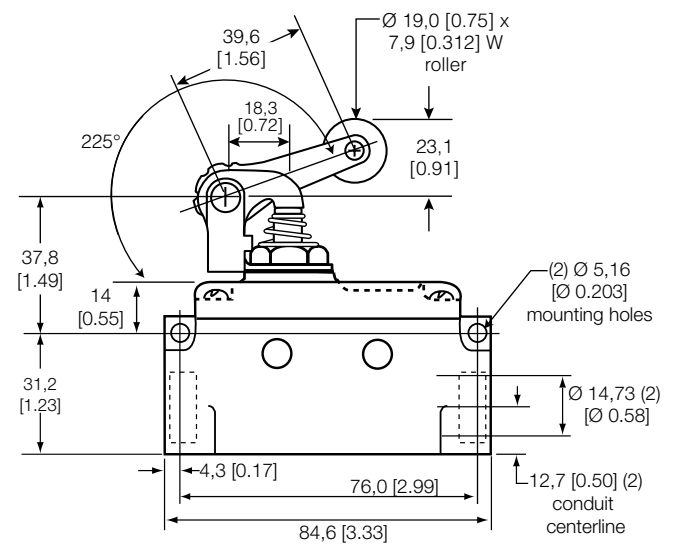




Figure 25. E9 Series, roller lever, side mount



# MICRO SWITCH™ Medium-Duty Limit Switches

Table 11. Order Guide • V7 Series Switches, Flange Mount with Boot Sealed Actuator

For catalog listings not shown, please contact your Honeywell distributor or representative.

	Catalog Listing	Switch type, Circuitry	Electrical Rating [page 5]	Operate Force g [oz]	Operate Point mm [in]	Pretravel max. mm [in]	Over Travel min. mm [in]	Differential Travel max. mm [in]	Conduit Thread	Comments
 <b>Pin Plunger</b> (see Figure 26)	<b>BZV7-2RN-C</b>	BZ, SPDT	A300, Q300	255 to 680 [9 to 24]	69,85 ±1,57 [2.75 ±0.062]	1,98 [0.078]	5,56 [0.219]	0,05 [0.002]	20 mm	
	<b>BZV7-2RN-PG</b>	BZ, SPDT	A300, Q300	255 to 680 [9 to 24]	69,85 ±1,57 [2.75 ±0.062]	1,98 [0.078]	5,56 [0.219]	0,05 [0.002]	PG 13,5	
 <b>Roller Lever</b> (see Figure 27)	<b>BZV7-2RN2-C</b>	BZ, SPDT	A300, Q300	284 to 567 [10 to 20]	97,59 [3.842] Ref.	4,78 [0.188]	5,56 [0.219]	0,20 [0.008]	20 mm	
	<b>BZV7-2RN2-PG</b>	BZ, SPDT	A300, Q300	284 to 567 [10 to 20]	97,59 [3.842] Ref.	4,78 [0.188]	5,56 [0.219]	0,20 [0.008]	PG 13,5	

## DIMENSIONS

Figure 26. V7 Series, top pin plunger, flange mount with boot seal

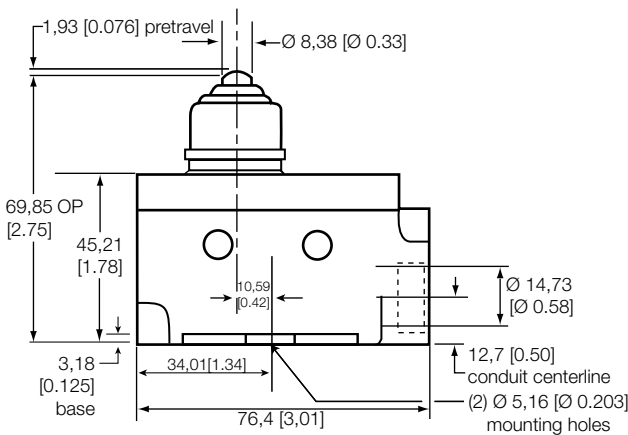
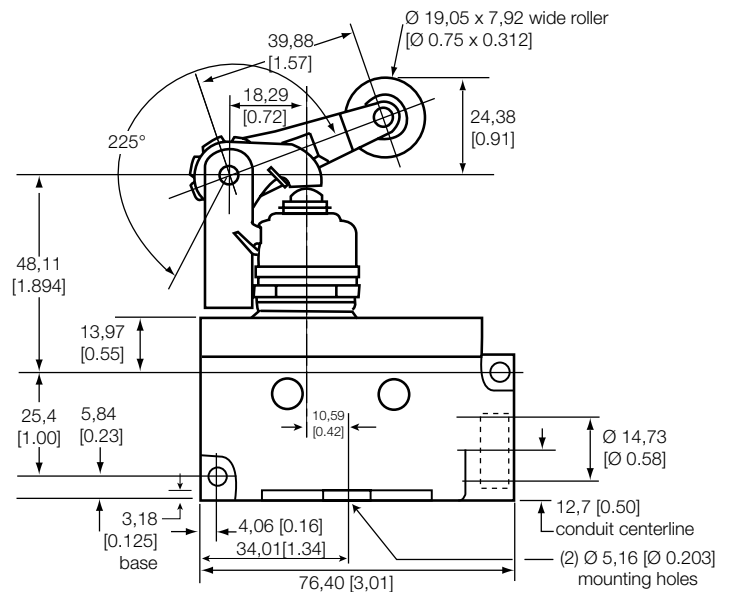






Figure 27. V7 Series, roller lever, flange mount with booth seal



# E7 and V7 Series

Table 12. Order Guide • V7 Series Switches, Flange Mount without Boot Sealed Actuator

For catalog listings not shown, please contact your Honeywell distributor or representative.

	Catalog Listing	Switch type, Circuitry	Electrical Rating [page 5]	Operate Force g [oz]	Operate Point mm [in]	Pretravel max. mm [in]	Over Travel min. mm [in]	Differential Travel max. mm [in]	Conduit Thread	Comments
 <b>Pin Plunger</b> (see Figure 28)	<b>BZV7-2RQ-PG</b>	BZ, SPDT	A300, Q300	255 to 369 [9 to 13]	63,5 ±1,19 [2.50 ±0.047]	0,38 [0.015]	5,56 [0.219]	0,05 [0.002]	PG 13,5	
 <b>Inline Roller Plunger</b> (see Figure 29)	<b>BZV7-2RQ8-C</b>	BZ, SDPT	A300, Q300	255 to 369 [9 to 13]	75,01 ±1,52 [2.953 ±0.060]	0,38 [0.015]	3,56 [0.140]	0,05 [0.002]	20 mm	
	<b>BZV7-2RQ8-PG</b>	BZ, SDPT	A300, Q300	255 to 369 [9 to 13]	75,01 ±1,52 [2.953 ±0.060]	0,38 [0.015]	3,56 [0.140]	0,05 [0.002]	PG 13,5	
 <b>Cross Roller Plunger</b> (see Figure 30)	<b>BZV7-2RQ81-C</b>	BZ, SPDT	A300, Q300	255 to 369 [9 to 13]	75,01 ±1,52 [2.953 ±0.060]	0,38 [0.015]	3,56 [0.140]	0,05 [0.002]	20 mm	
	<b>BZV7-2RQ81-PG</b>	BZ, SPDT	A300, Q300	255 to 369 [9 to 13]	75,01 ±1,52 [2.953 ±0.060]	0,38 [0.015]	3,56 [0.140]	0,05 [0.002]	PG 13,5	
 <b>Roller Lever</b> (see Figure 31)	<b>BZV7-2RQ2-C</b>	BZ, SPDT	A300, Q300	284 to 510 [10 to 18]	87,27 [3.436] Ref.	4,78 [0.188]	5,56 [0.219]	0,15 [0.006]	20 mm	
	<b>BZV7-2RQ2-PG</b>	BZ, SPDT	A300, Q300	284 to 510 [10 to 18]	87,27 [3.436] Ref.	4,78 [0.188]	5,56 [0.219]	0,15 [0.006]	PG 13,5	

# MICRO SWITCH™ Medium-Duty Limit Switches

## DIMENSIONS

Figure 28. V7 Series, top pin plunger, flange mount

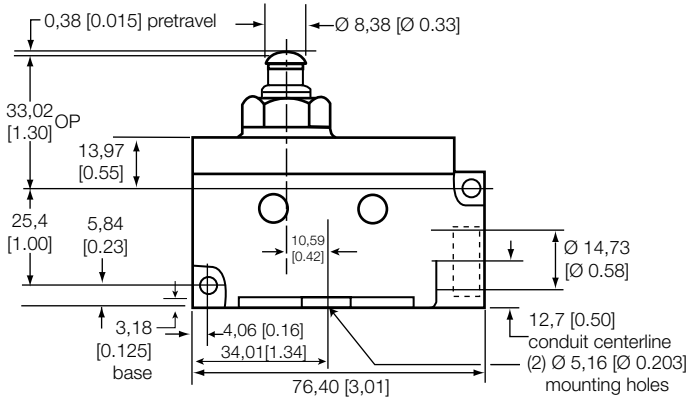


Figure 29. V7 Series, inline roller plunger, flange mount



Figure 30. V7 Series, cross roller plunger, flange mount



Figure 31. V7 Series, roller lever, flange mount



## E7 and V7 Series

### This Honeywell datasheet supports the following MICRO SWITCH™ E7/V7 Series Limit Switch Listings

BZE7-2RN2-PG	BZE7-2RQ2-C	BZE7S-2RQ-C	BZV7-2RQ81-PG
BZE7-2RN-PG	BZE72RQ2PG	BZE7S-2RQN8-C	BZV7-2RQ8-C
BZE7-2RQ8-PG	BZE7-2RQ2-PG	BZE7S-2RQ-PG	BZV7-2RQ8-PG
BZE7-2RQ81C	BZE7-2RQ81-C	BZE9-2RN28-PG	BZV7-2RQ-PG
BZE7-2RN18-PG	BZE7-2RQ81-PG	BZE9-2RN2-C	DTE7-2RN28-C
BZE7-2RQN8-C	BZE7-2RQ8-C	BZE9-2RN2-PG	DTE7-2RN2-C
BZE7-2RQ-PG	BZE7-2RQ9-C	BZE9-2RN-C	DTE72RN2PG
BZE7S-2RN-PG	BZE7-2RQ9-PG	BZE9-2RN-PG	DTE7-2RN2-PG
BZE9-2RQ-PG	BZE7-2RQ-C	BZE9-2RN-PG11	DTE7-2RN-C
BZE7-2RN18-C	BZE72RQN8C	BZE9-2RQ2-PG	DTE72RNPG
BZE7-2RN18-CN14	BZE7-2RQN8-PG	BZE9-2RQ81-PG	DTE7-2RN-PG
BZE7-2RN2-6NC	BZE7S-2RN	BZE9-2RQ8-C	DTE7-2RQN8-C
BZE7-2RN28-C	BZE7S-2RN28-C	BZE9-2RQ8-PG	DTE7-2RQN8PG
BZE7-2RN28-PG	BZE7S-2RN2-C	BZE9-2RQN8-PG	DTE72RQN8PG
BZE7-2RN2-C	BZE7S-2RN2-PG	BZV7-2RN2-C	DTE7-2RQN8-PG
BZE7-2RN2-CN6	BZE7S-2RN-C	BZV7-2RN2-PG	DTE7S-2RN2-C
BZE72RNC	BZE7S-2RQ2-C	BZV7-2RN-C	DTE7S-2RN-C
BZE7-2RN-C	BZE7S-2RQ81-C	BZV7-2RN-PG	DTE7S-2RQ9-C
BZE7-2RN-CN5	BZE7S-2RQ8-C	BZV7-2RQ2-C	DTE7S-2RQ9-PG
BZE7-2RN-D	BZE7S-2RQ8-PG	BZV7-2RQ2-PG	DTE7S-2RQN8-C
BZE72RNPG	BZE7S-2RQ9-C	BZV7-2RQ81-C	

# MICRO SWITCH™ Medium-Duty Limit Switches

## ADDITIONAL INFORMATION

The following associated literature is available on the Honeywell web site at [sensing.honeywell.com](http://sensing.honeywell.com):

- Product installation instructions
- Product range guide
- Product nomenclature tree
- Product application-specific information
  - Limit and enclosed switch reference standards

### **WARNING**

#### **PERSONAL INJURY**

**DO NOT USE** these products as safety or emergency stop devices or in any other application where failure of the product could result in personal injury.

**Failure to comply with these instructions could result in death or serious injury.**

### **WARNING**

#### **MISUSE OF DOCUMENTATION**

- The information presented in this product sheet is for reference only. Do not use this document as a product installation guide.
- Complete installation, operation, and maintenance information is provided in the instructions supplied with each product.

**Failure to comply with these instructions could result in death or serious injury.**

## WARRANTY/REMEDY

Honeywell warrants goods of its manufacture as being free of defective materials and faulty workmanship. Honeywell's standard product warranty applies unless agreed to otherwise by Honeywell in writing; please refer to your order acknowledgement or consult your local sales office for specific warranty details. If warranted goods are returned to Honeywell during the period of coverage, Honeywell will repair or replace, at its option, without charge those items it finds defective. **The foregoing is buyer's sole remedy and is in lieu of all other warranties, expressed or implied, including those of merchantability and fitness for a particular purpose. In no event shall Honeywell be liable for consequential, special, or indirect damages.**

While we provide application assistance personally, through our literature and the Honeywell website, it is up to the customer to determine the suitability of the product in the application.

Specifications may change without notice. The information we supply is believed to be accurate and reliable as of this printing. However, we assume no responsibility for its use.

**Find out more**

Honeywell serves its customers through a worldwide network of sales offices, representatives and distributors. For application assistance, current specifications, pricing or name of the nearest Authorized Distributor, contact your local sales office.

To learn more about Honeywell's sensing and control products, call **+1-815-235-6847** or **1-800-537-6945**, visit **sensing.honeywell.com**, or e-mail inquiries to **info.sc@honeywell.com**

Sensing and Control  
Honeywell  
1985 Douglas Drive North  
Golden Valley, MN 55422  
**honeywell.com**

The Honeywell logo is displayed in a bold, red, sans-serif font.





Компания «ЭлектроПласт» предлагает заключение долгосрочных отношений при поставках импортных электронных компонентов на взаимовыгодных условиях!

Наши преимущества:

- Оперативные поставки широкого спектра электронных компонентов отечественного и импортного производства напрямую от производителей и с крупнейших мировых складов;
- Поставка более 17-ти миллионов наименований электронных компонентов;
- Поставка сложных, дефицитных, либо снятых с производства позиций;
- Оперативные сроки поставки под заказ (от 5 рабочих дней);
- Экспресс доставка в любую точку России;
- Техническая поддержка проекта, помощь в подборе аналогов, поставка прототипов;
- Система менеджмента качества сертифицирована по Международному стандарту ISO 9001;
- Лицензия ФСБ на осуществление работ с использованием сведений, составляющих государственную тайну;
- Поставка специализированных компонентов (Xilinx, Altera, Analog Devices, Intersil, Interpoint, Microsemi, Aeroflex, Peregrine, Syfer, Eurofarad, Texas Instrument, Miteq, Cobham, E2V, MA-COM, Hittite, Mini-Circuits, General Dynamics и др.);

Помимо этого, одним из направлений компании «ЭлектроПласт» является направление «Источники питания». Мы предлагаем Вам помощь Конструкторского отдела:

- Подбор оптимального решения, техническое обоснование при выборе компонента;
- Подбор аналогов;
- Консультации по применению компонента;
- Поставка образцов и прототипов;
- Техническая поддержка проекта;
- Защита от снятия компонента с производства.



#### Как с нами связаться

**Телефон:** 8 (812) 309 58 32 (многоканальный)

**Факс:** 8 (812) 320-02-42

**Электронная почта:** [org@eplast1.ru](mailto:org@eplast1.ru)

**Адрес:** 198099, г. Санкт-Петербург, ул. Калинина, дом 2, корпус 4, литера А.