

PLEASE CHECK WWW.MOLEX.COM FOR LATEST PART INFORMATION

Part Number: [0541323062](#)
Status: **Active**
Overview: [ffc_fpc_smt](#)
Description: 0.50mm (.020") Pitch FFC/FPC Connector, Right Angle, SMT, ZIF, Bottom Contact Style, 30 Circuits, 0.1µm (4µ") Gold (Au) Contact Plating

Documents:

[3D Model](#) [Product Specification PS-54132-061 \(PDF\)](#)
[Drawing \(PDF\)](#) [RoHS Certificate of Compliance \(PDF\)](#)

Agency Certification

UL E29179

General

Product Family FFC/FPC Connectors
 Series [54132](#)
 Overview [ffc_fpc_smt](#)
 Product Name N/A

Physical

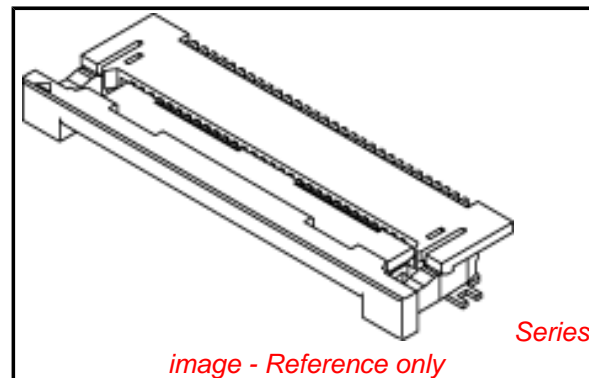
Circuits (Loaded) 30
 Color - Resin Black, Natural
 Contact Position Bottom
 Durability (mating cycles max) 20
 Entry Angle 90° Angle
 Flammability 94V-0
 Mated Height (in) 0.079 In
 Mated Height (mm) 2.00 mm
 Material - Metal Phosphor Bronze
 Material - Plating Mating Gold
 Material - Plating Termination Gold
 Material - Resin High Temperature Thermoplastic
 Number of Rows 1
 Orientation Right Angle
 PCB Locator No
 PCB Retention Yes
 Packaging Type Embossed Tape on Reel
 Pitch - Mating Interface (in) 0.020 In
 Pitch - Mating Interface (mm) 0.50 mm
 Plating min: Mating (µin) 4
 Plating min: Mating (µm) 0.1
 Plating min: Termination (µin) 2
 Plating min: Termination (µm) 0.05
 Polarized to PCB Yes
 Stackable No
 Surface Mount Compatible (SMC) N/A
 Temperature Range - Operating -20°C to +85°C
 Termination Interface: Style Surface Mount
 Wire/Cable Type FFC/FPC

Electrical

Current - Maximum per Contact 0.5A
 Voltage - Maximum 50V

Material Info

Reference - Drawing Numbers



EU RoHS

ELV and RoHS Compliant

REACH SVHC

Not Reviewed

Halogen-Free

Status

Not Halogen-Free

Need more information on product environmental compliance?

Email productcompliance@molex.com
 For a multiple part number RoHS Certificate of Compliance, [click here](#)

Please visit the [Contact Us](#) section for any non-product compliance questions.

China RoHS



Search Parts in this Series

[54132Series](#)

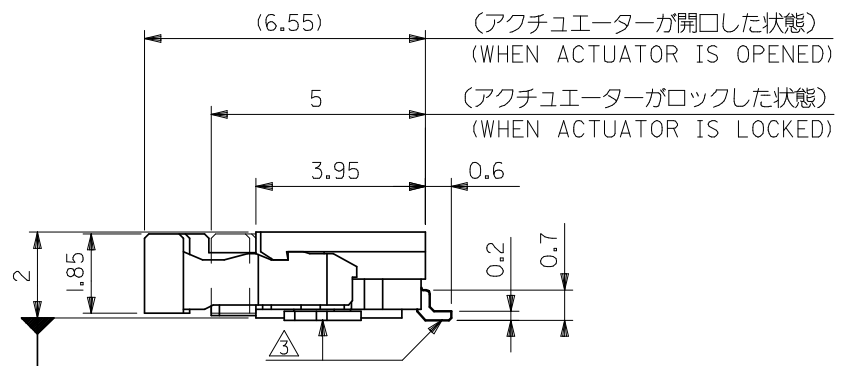
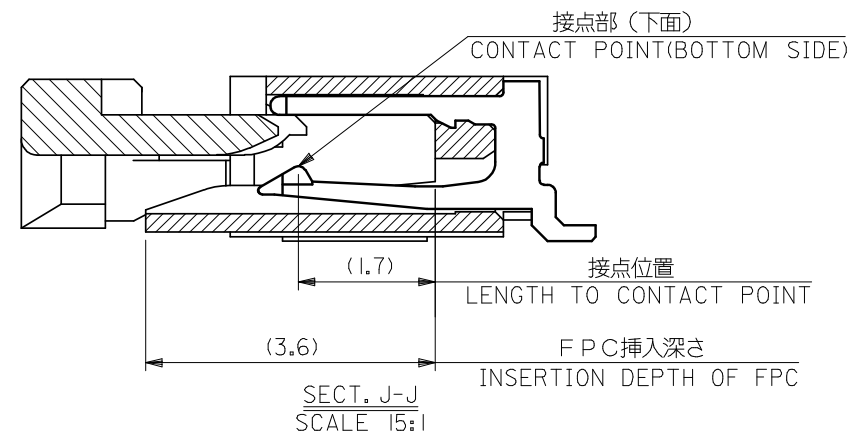
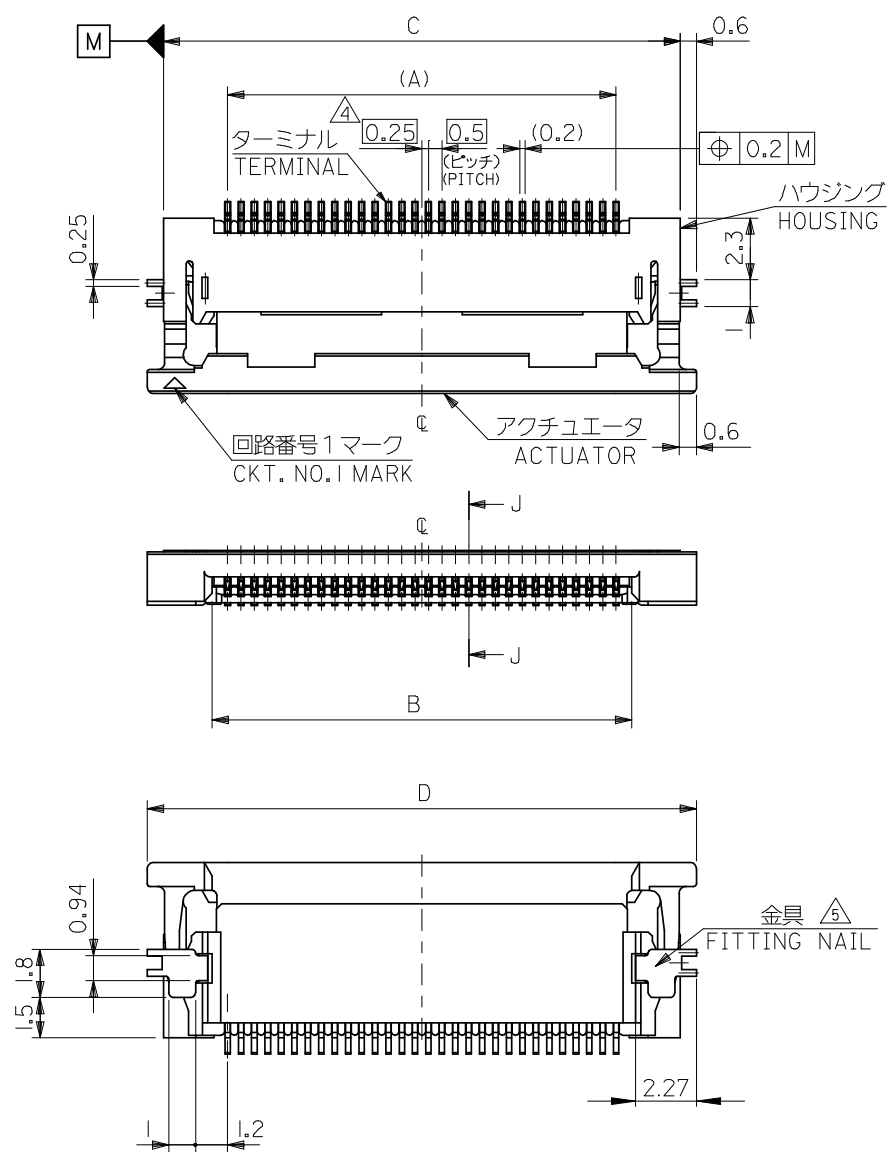
Product Specification

Sales Drawing

PS-54132-061, RPS-54132-070, RPS-54132-071,
RPS-54132-072, RPS-54132-076
SD-54132-064

This document was generated on 06/07/2010

PLEASE CHECK WWW.MOLEX.COM FOR LATEST PART INFORMATION

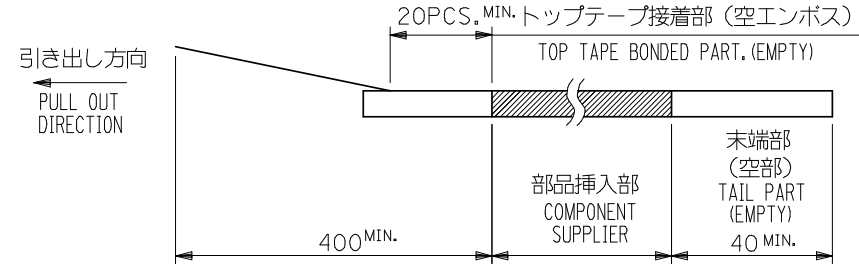


| | | | | | | |
|------|------|-------|------|------------------|------------|---------------|
| 30.5 | 29.3 | 25.65 | 24.5 | 54132-5062 | 54132-5068 | 50 |
| 28.0 | 26.8 | 23.15 | 22.0 | 54132-4562 | 54132-4568 | 45 |
| 27.0 | 25.8 | 22.15 | 21.0 | 54132-4362 | 54132-4368 | 43 |
| 25.5 | 24.3 | 20.65 | 19.5 | 54132-4062 | 54132-4068 | 40 |
| 24.5 | 23.3 | 19.65 | 18.5 | 54132-3862 | 54132-3868 | 38 |
| 23.5 | 22.3 | 18.65 | 17.5 | 54132-3662 | 54132-3668 | 36 |
| 23.0 | 21.8 | 18.15 | 17.0 | 54132-3562 | 54132-3568 | 35 |
| 22.5 | 21.3 | 17.65 | 16.5 | 54132-3462 | 54132-3468 | 34 |
| 22.0 | 20.8 | 17.15 | 16.0 | 54132-3362 | 54132-3368 | 33 |
| 21.5 | 20.3 | 16.65 | 15.5 | 54132-3262 | 54132-3268 | 32 |
| 20.5 | 19.3 | 15.65 | 14.5 | 54132-3062 | 54132-3068 | 30 |
| D | C | B | A | EMBOSSED TAPE | | MATERIAL. NO. |
| | | | | ORDER No. オーダー番号 | | CKT. |

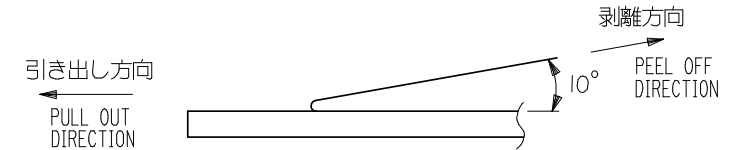
| | | | | | | | |
|---|---------------------------------------|-------|--|--------------------|--|------------------------|------------------------|
| REVISED EC NO: J2008-4308 DRWN: MWABEI 2008/06/27 CH'KD: THARUYAMA 2008/06/30 APPR: NUKITA 2008/06/30 | GENERAL TOLERANCES (UNLESS SPECIFIED) | | DIMENSION STYLE MM ONLY | | SCALE --- | DESIGN UNITS METRIC | THIRD ANGLE PROJECTION |
| | 10 UNDER | ±0.2 | DRAWN BY M.UMEDA | DATE 2004/09/27 | TITLE 0.5 FPC CONN. HSG ASSY BTM CONTACT GOLD PLATING -LEAD FREE-(NI-BARRIER) | | |
| | 10 OVER 30 UNDER | ±0.25 | CHECKED BY K.TOYODA | DATE 2004/09/27 | MOLEX INCORPORATED | | |
| | 30 OVER | ±0.3 | APPROVED BY N.UKITA | DATE 2004/09/27 | MATERIAL NO. | DOCUMENT NO. | SHEET NO. |
| | ANGULAR ±3 ° | | DRAFT WHERE APPLICABLE MUST REMAIN WITHIN DIMENSIONS | | SEE TABLE | SD-54132-064 | 1 OF 4 |
| THIS DRAWING CONTAINS INFORMATION THAT IS PROPRIETARY TO MOLEX INCORPORATED AND SHOULD NOT BE USED WITHOUT WRITTEN PERMISSION | | | | | | | |

NOTES

1. 梱包数量：1500個/リール
NUMBER OF CONNECTORS : 1500PCS/REEL
2. リードテープ長さ LEAD TAPE LENGTH



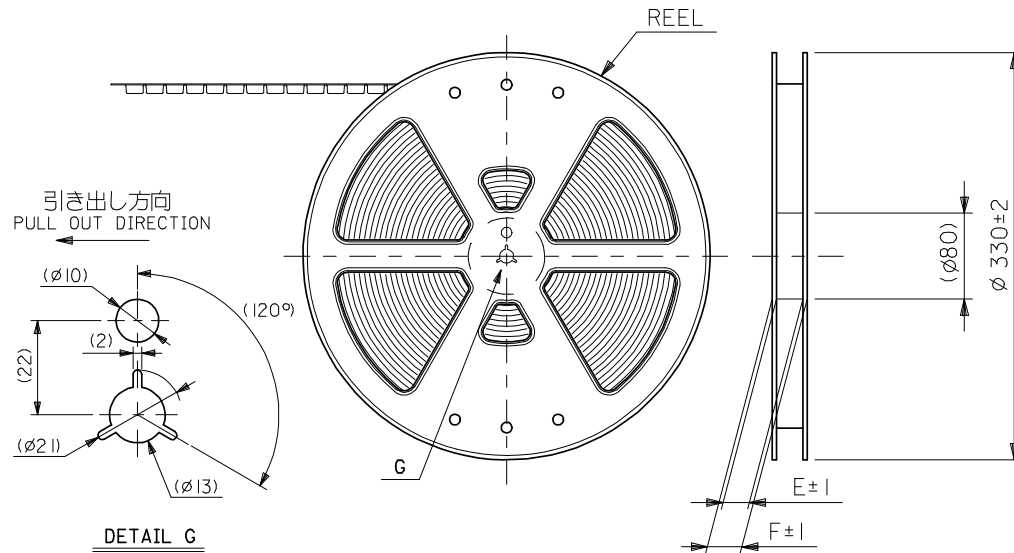
3. トップテープの剥離強度：0.1N ~ 1.3N (10gf ~ 130gf)
(剥離方向は下図参照)
尚、本規格値は出荷時に適用。(但し、輸送時に剥離が発生しないこと。)
PEELING OFF FORCE OF TOP TAPE : 0.1N ~ 1.3N (10gf ~ 130gf)
(PEELING DIRECTION AS SHOWN IN FOLLOWING FIG.)
THIS REQUIREMENT SHOULD BE APPLIED AT SHIPMENT.
PEEL OFF SHOULD NOT BE ALLOWED, DURING TRANSPORTATION.



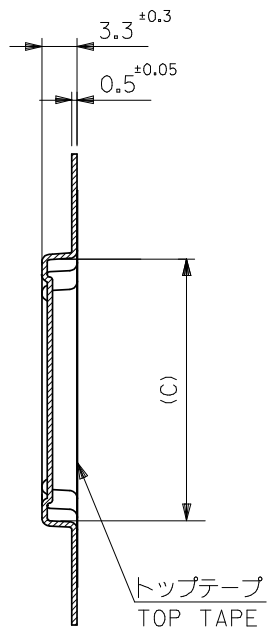
5. 材料
キャリアテープ：ポリプロピレン (PP)
トップテープ：PET, PE, PEF
リール：ポリスチレン (PS) <リサイクル材を含む>

MATERIAL CARRIER TAPE: POLYPROPYLENE
TOP TAPE: PET, PE, PEF
REEL: POLYSTYRENE (PS)
<RECYCLE MATERIAL CONTAINED>

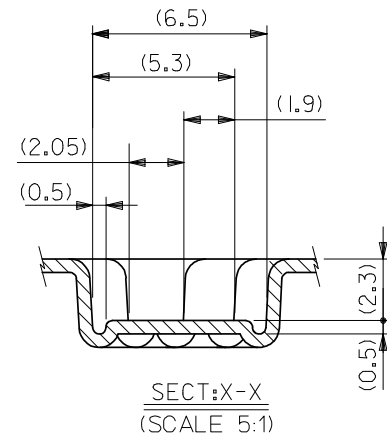
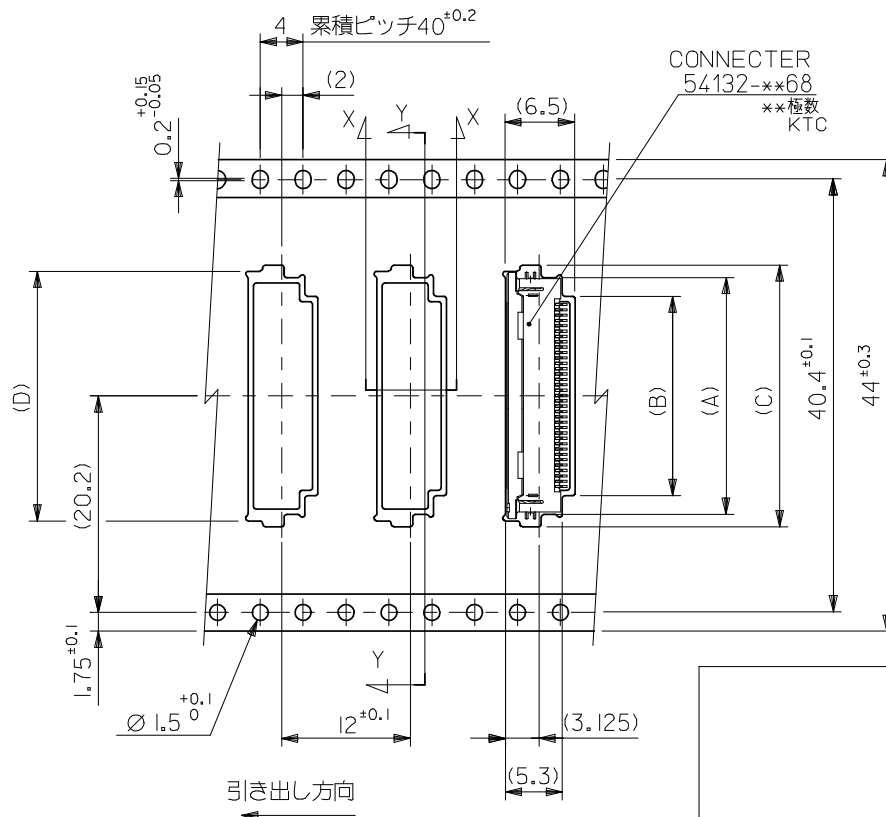
6. 本製品は54132-**61に対するニッケルバリア品である。
THIS PRODUCT IS Ni-BARRIER OF 54132-**61.



| | | | | | | | | | |
|---|-------------|---|---------|----------------------------|--------------------|--|------------------------|---------------------------|--|
| REVISED EC NO: J2008-4308 DRWN: WABEI 2008/06/27 CHKD: THARUYAMA 2008/06/30 APPR: NUKITA 2008/06/30 | DESCRIPTION | GENERAL TOLERANCES (UNLESS SPECIFIED) | | DIMENSION STYLE MM ONLY | | SCALE --- | DESIGN UNITS METRIC | THIRD ANGLE PROJECTION | |
| | | 10 UNDER | ± --- | DRAWN BY M. UMEDA | DATE 2004/09/27 | TITLE 0.5 FPC CONN. HSG ASSY BTM CONTACT GOLD PLATING -LEAD FREE-(NI-BARRIER) | | | |
| | | 10 OVER 30 UNDER | ± --- | CHECKED BY K. TOYODA | DATE 2004/09/27 | | | | |
| | | 30 OVER | ± --- | APPROVED BY N. UKITA | DATE 2004/09/27 | MOLEX INCORPORATED | | | |
| | | ANGULAR | ± --- ° | MATERIAL NO. | DOCUMENT NO. | | | | |
| | | DRAFT WHERE APPLICABLE MUST REMAIN WITHIN DIMENSIONS | | SEE SHEET 4 | | SD-54132-064 | | 3 OF 4 | |
| | | THIS DRAWING CONTAINS INFORMATION THAT IS PROPRIETARY TO MOLEX INCORPORATED AND SHOULD NOT BE USED WITHOUT WRITTEN PERMISSION | | | | | | | |



SECT:Y-Y



| | | | | | | | | | | |
|--------------------------------|------|------|------|------------|------|------|------------|----|------------------------------|------|
| 44 | 49.4 | 45.4 | 30.8 | 31.9 | 26.1 | 29.6 | 54132-5062 | 50 | | |
| | | | 28.3 | 29.4 | 23.6 | 27.1 | 54132-4562 | 45 | | |
| | | | 27.3 | 28.4 | 22.6 | 26.1 | 54132-4362 | 43 | | |
| | | | 25.8 | 26.9 | 21.1 | 24.6 | 54132-4062 | 40 | | |
| | | | 24.8 | 25.9 | 20.1 | 23.6 | 54132-3862 | 38 | | |
| | | | 23.8 | 24.9 | 19.1 | 22.6 | 54132-3662 | 36 | | |
| | | | 23.3 | 24.4 | 18.6 | 22.1 | 54132-3562 | 35 | | |
| | | | 22.8 | 23.9 | 18.1 | 21.6 | 54132-3462 | 34 | | |
| | | | 22.3 | 23.4 | 17.6 | 21.1 | 54132-3362 | 33 | | |
| | | | 21.8 | 22.9 | 17.1 | 20.6 | 54132-3262 | 32 | | |
| 20.8 | 21.9 | 16.1 | 19.6 | 54132-3062 | 30 | | | | | |
| キャリアテープ幅 CARRIER TAPE WIDTH | | | F | E | D | C | B | A | MATERIAL NO. (EMBOSS PKG) | CKT. |

| | | | | | | | | |
|---|---------------------------------------|-----------|----------------------------|--------------------|--|------------------------|------------------------|--|
| REVISED EC NO: J2008-4308 DRWN:WABEI 2008/06/27 CH'KD:THARUYAMA 2008/06/30 APPR:NUKITA 2008/06/30 | GENERAL TOLERANCES (UNLESS SPECIFIED) | | DIMENSION STYLE MM ONLY | | SCALE --- | DESIGN UNITS METRIC | THIRD ANGLE PROJECTION | |
| | 10 UNDER | ± --- | DRAWN BY M.UMEDA | DATE 2004/09/27 | TITLE 0.5 FPC CONN. HSG ASSY BTM CONTACT GOLD PLATING -LEAD FREE-(NI-BARRIER) | | | |
| | 10 OVER 30 UNDER | ± --- | CHECKED BY K.TOYODA | DATE 2004/09/27 | | | | |
| | 30 OVER | ± --- | APPROVED BY M.UMEDA | DATE 2004/09/27 | MOLEX INCORPORATED | | | |
| | ANGULAR | ± --- ° | MATERIAL NO. | DOCUMENT NO. | | | | |
| DRAFT WHERE APPLICABLE MUST REMAIN WITHIN DIMENSIONS | | SEE TABLE | | SD-54132-064 | | SHEET NO. 4 OF 4 | | |



Компания «ЭлектроПласт» предлагает заключение долгосрочных отношений при поставках импортных электронных компонентов на взаимовыгодных условиях!

Наши преимущества:

- Оперативные поставки широкого спектра электронных компонентов отечественного и импортного производства напрямую от производителей и с крупнейших мировых складов;
- Поставка более 17-ти миллионов наименований электронных компонентов;
- Поставка сложных, дефицитных, либо снятых с производства позиций;
- Оперативные сроки поставки под заказ (от 5 рабочих дней);
- Экспресс доставка в любую точку России;
- Техническая поддержка проекта, помощь в подборе аналогов, поставка прототипов;
- Система менеджмента качества сертифицирована по Международному стандарту ISO 9001;
- Лицензия ФСБ на осуществление работ с использованием сведений, составляющих государственную тайну;
- Поставка специализированных компонентов (Xilinx, Altera, Analog Devices, Intersil, Interpoint, Microsemi, Aeroflex, Peregrine, Syfer, Eurofarad, Texas Instrument, Miteq, Cobham, E2V, MA-COM, Hittite, Mini-Circuits, General Dynamics и др.);

Помимо этого, одним из направлений компании «ЭлектроПласт» является направление «Источники питания». Мы предлагаем Вам помощь Конструкторского отдела:

- Подбор оптимального решения, техническое обоснование при выборе компонента;
- Подбор аналогов;
- Консультации по применению компонента;
- Поставка образцов и прототипов;
- Техническая поддержка проекта;
- Защита от снятия компонента с производства.



Как с нами связаться

Телефон: 8 (812) 309 58 32 (многоканальный)

Факс: 8 (812) 320-02-42

Электронная почта: org@eplast1.ru

Адрес: 198099, г. Санкт-Петербург, ул. Калинина, дом 2, корпус 4, литера А.