

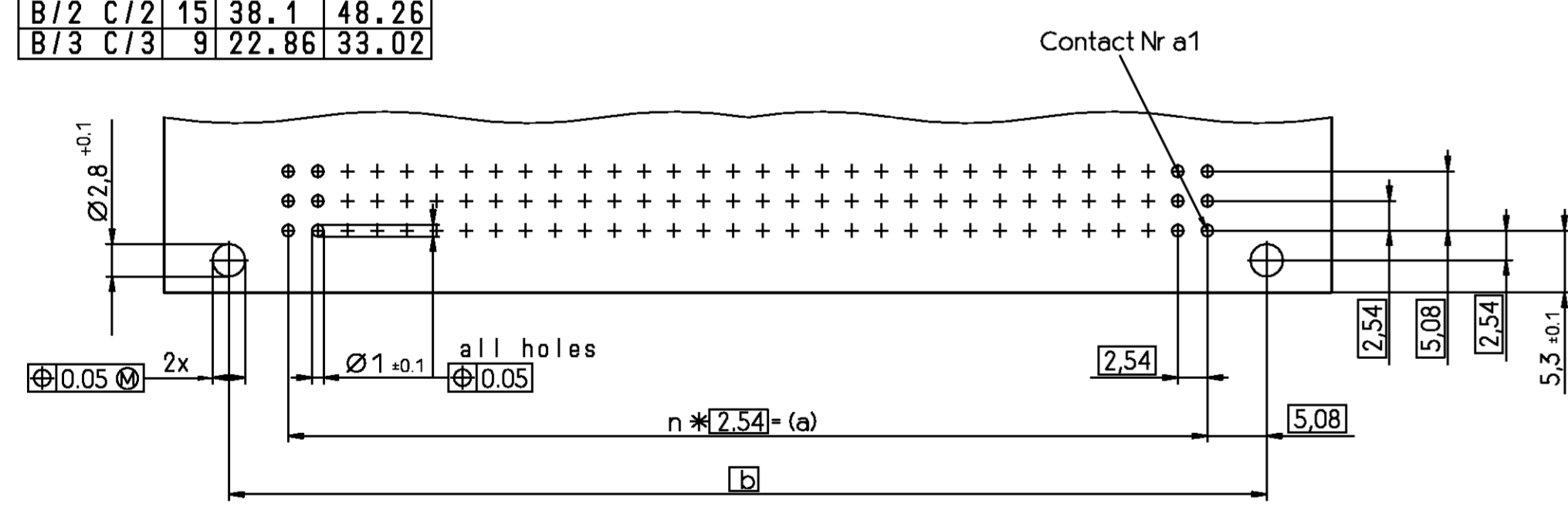
Housing material: PBTP 30% glassfilled (UL94V-0) pebble grey (similar RAL 7032)

Housing material: PBTP 30% glassfilled (UL94V-0) pebble grey (similar RAL 7032)

Housing material: PBTP 30% glassfilled (UL94V-0) pebble grey (similar RAL 7032)

| Bauform | n | a | b |
|---------|-----|----|-------|
| B | C | 31 | 78.74 |
| B/2 | C/2 | 15 | 38.1 |
| B/3 | C/3 | 9 | 22.86 |

Mounting holes in PCB



V 4 2 2 5 4 - * 1 * * * - + * * *

B : Standard version
F : Version with flux tight coating

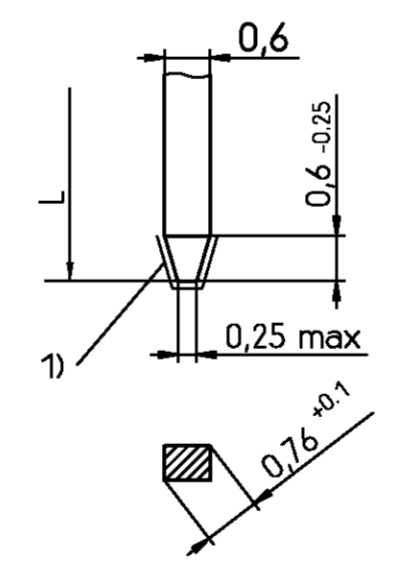
code for performance level
code for termination style

Style, no of contacts and contact assignment see page 2

THIS INFORMATION IS CONFIDENTIAL AND PROPRIETARY TO TYCO ELECTRONICS CORPORATION AND ITS WORLDWIDE SUBSIDIARIES AND AFFILIATES. IT MAY NOT BE DISCLOSED TO ANYONE, OTHER THAN TYCO ELECTRONICS CORPORATION, WITHOUT WRITTEN AUTHORIZATION FROM TYCO ELECTRONICS CORPORATION, HARRISBURG, PENNSYLVANIA USA.

Termination Style

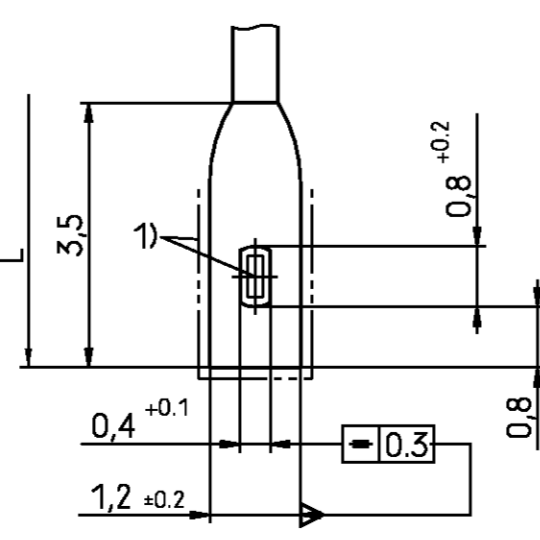
Soldering/Wire-Wrap pins



| Termination Style | L | Code |
|-------------------|----------|------|
| Wire-wrap | 3 -0.4 | 00 |
| Soldering lug | 2.9 ±0.3 | 01 |
| Soldering lug | 4.5 ±0.3 | 02 |
| Soldering lug | 13 ±0.5 | 40 |
| Soldering lug | 11 ±0.5 | 41 |
| Soldering lug | 17 ±0.5 | 42 |
| Soldering lugs | 5.5 ±0.3 | 35 |
| Soldering lugs | 10 -0.5 | |

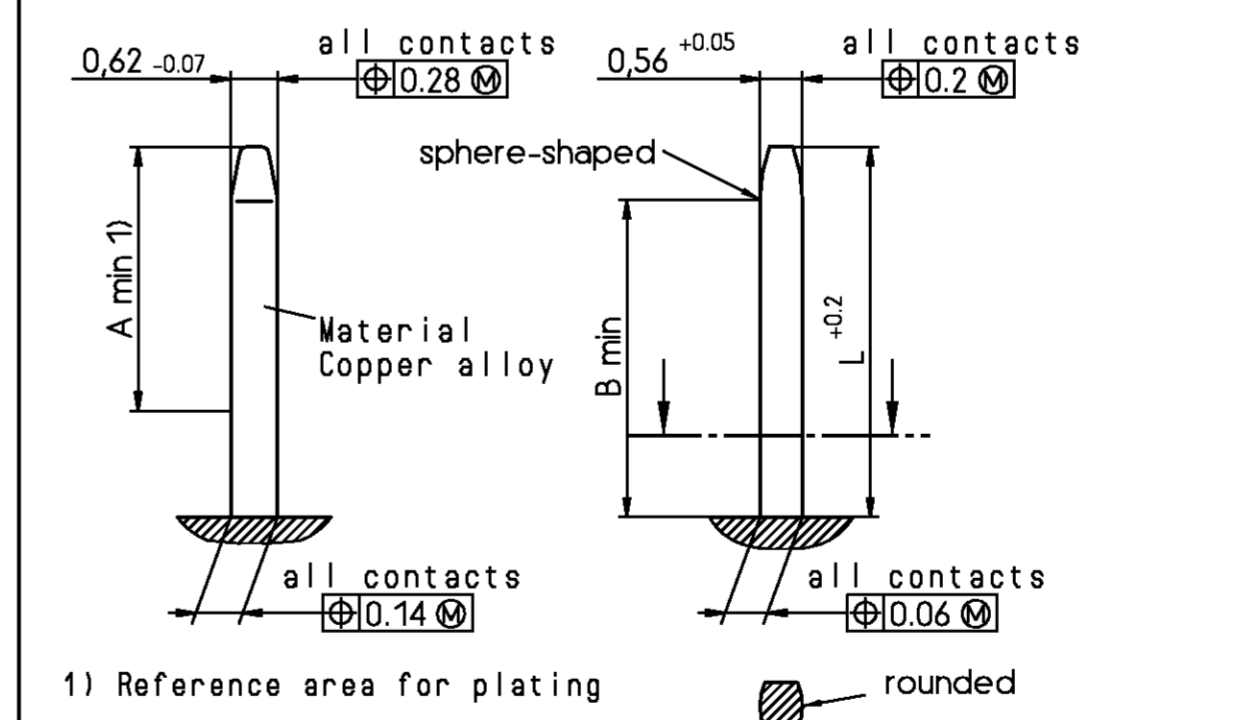
1) Cutting, edges not plated
Terminations with galvanic Sn plating

Soldering lug



V42254-B1***-C***

Contact: Dimensions, plating, material, pre-mating



1) Reference area for plating

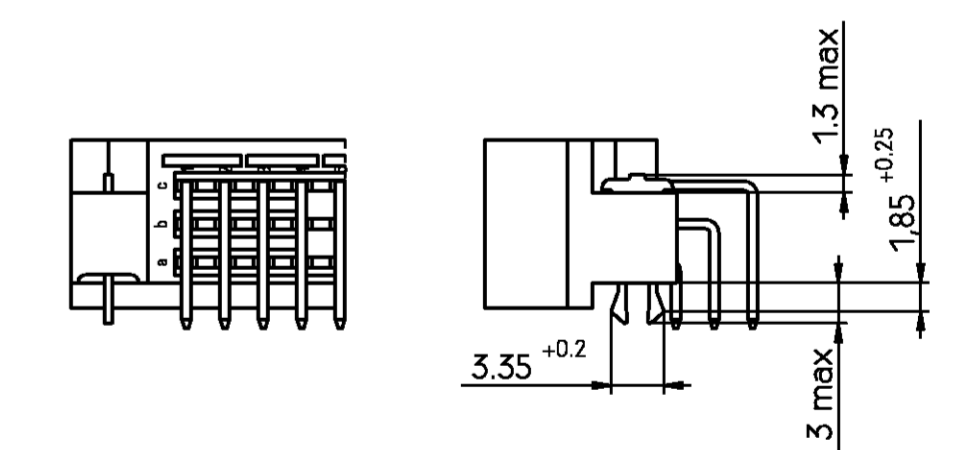
| | L | A | B |
|---------------------|-----|-----|-----|
| normal contacts | 4.8 | 3.5 | 4.2 |
| pre-mating contacts | 5.8 | 4.5 | 5.2 |

| Performance level acc to DIN41612 and IEC603-2 | Noble metals | Code |
|--|-----------------|------|
| Class I | PdNi + Au or Au | 1 |
| | Au | 4 |
| Class II | PdNi + Au or Au | 2 |
| | Au | 5 |
| Class III | PdNi + Au or Au | 3 |

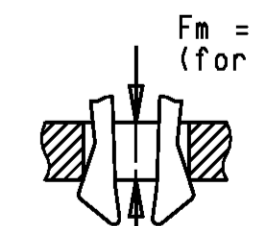
Nickel underlayer
Protection film: HF-grease

V42254-B1***-C***

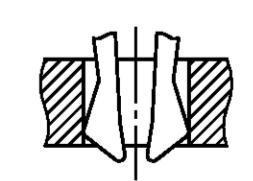
Male connector with board locks



Mounted in PC-boards of 1.5 to 1.8 mm
F_m < 60 N
F_r > 20 N
F_r > 200 N, wenn soldered-in



Mounted in PC-boards over 1.8 mm
F_m < 60 N
F_r > 16 N



| | | | |
|--------------------------------------|----------------|---------------------------------------|---------|
| STE TE Connectivity | | SCALE | WEIGHT |
| TE Connectivity | | MATERIAL | |
| DATE: 10.02.89 | NAME: Cuvelier | PART NAME: Pin Assembly Eurocard | |
| DEP: PD COM | | Types B, C and short versions | |
| TOLERANCE UNLESS SPECIFIED OTHERWISE | | PART NO. | SHT. 1+ |
| ECO-17-002173 10MAR2017 SY | | V42254-B1***-C***-7626 | |
| REV. CHANGE ORDER | DATE | APP. Customer Drawing Nr. C 1392009-B | OF 2 |

| Product description code | Part Number | Style & Number of Positions | Termination Posts | Loaded Rows | Standard Pre-Mating (mm J) | Performance Level | Board Locks |
|---------------------------|--------------------|-----------------------------|-------------------|------------------------------|------------------------------|-------------------|-------------|
| SUPERSEDED BY 5-1393644-6 | V42254-B1100-B200 | 1393644-1 | B20 | right-angle solder leads | every row , every pitch | No | 1 No |
| | V42254-B1100-B230 | 1393644-2 | B20 | right-angle solder leads | every row , every pitch | Yes | 1 No |
| SUPERSEDED BY 5-1393644-9 | V42254-B1100-B320 | 1393644-3 | B32 | right-angle solder leads | every row , every pitch | No | 1 No |
| SUPERSEDED BY 6-1393644-3 | V42254-B1100-B640 | 1393644-4 | B64 | right-angle solder leads | every row , every pitch | No | 1 No |
| | V42254-B1100-B641 | 1393644-5 | B64 | right-angle solder leads | row a , every pitch | No | 1 No |
| OBSOLETE | V42254-B1100-B645 | 1393644-6 | B64 | right-angle solder leads | every row , every even pitch | No | 1 No |
| | V42254-B1100-C480 | 1393644-9 | C48 | right-angle solder leads | every row , every pitch | No | 1 No |
| OBSOLETE | V42254-B1100-C483 | 1-1393644-0 | C48 | right-angle solder leads | every row , every pitch | No | 1 No |
| | V42254-B1100-C910 | 1-1393644-2 | C96 | right-angle solder leads | row atc , every pitch | No | 1 Yes |
| | V42254-B1100-C960 | 1-1393644-6 | C96 | right-angle solder leads | every row , every pitch | No | 1 Yes |
| | V42254-B1100-C963 | 1-1393644-7 | C96 | right-angle solder leads | every row , every pitch | No | 1 No |
| | V42254-B1100-C965 | 1-1393644-8 | C96 | right-angle solder leads | row atc , every pitch | No | 1 No |
| | V42254-B1100-C968 | 1-1393644-9 | C96 | right-angle solder leads | every row , every even pitch | No | 1 No |
| | V42254-B1100-C968H | 2-1393644-0 | C96 | right-angle solder leads | row atc , every even pitch | No | 1 No |
| OBSOLETE | V42254-B1101-B230 | 3-1393644-2 | B20 | 2,9mm straight solder leads | every row , every pitch | Yes | 1 No |
| | V42254-B1102-B320 | 3-1393644-3 | B32 | 4,5mm straight solder leads | every row , every pitch | No | 1 No |
| | V42254-B1102-B640 | 3-1393644-4 | B64 | 4,5mm straight solder leads | every row , every pitch | No | 1 No |
| | V42254-B1102-C960 | 3-1393644-5 | C96 | 4,5mm straight solder leads | every row , every pitch | No | 1 No |
| | V42254-B1102-C963 | 3-1393644-6 | C96 | 4,5mm straight solder leads | row atc , every pitch | No | 1 No |
| | V42254-B1135-B640 | 4-1393644-0 | B64 | solder lugs | every row , every pitch | No | 1 No |
| OBSOLETE | V42254-B1200-B200 | 5-1393644-6 | B20 | right-angle solder leads | every row , every pitch | No | 2 No |
| | V42254-B1200-B310 | 5-1393644-8 | B32 | right-angle solder leads | every row , every pitch | No | 2 Yes |
| | V42254-B1200-B320 | 5-1393644-9 | B32 | right-angle solder leads | every row , every pitch | No | 2 No |
| OBSOLETE | V42254-B1200-B321 | 6-1393644-0 | B32 | right-angle solder leads | row a , every pitch | No | 2 No |
| | V42254-B1200-B610 | 6-1393644-3 | B64 | right-angle solder leads | every row , every pitch | No | 2 Yes |
| OBSOLETE | V42254-B1200-B611 | 6-1393644-4 | B64 | right-angle solder leads | row a , every pitch | No | 2 Yes |
| | V42254-B1200-B630 | 6-1393644-5 | B64 | right-angle solder leads | every row , every pitch | Yes | 2 No |
| | V42254-B1200-B640 | 6-1393644-6 | B64 | right-angle solder leads | every row , every pitch | No | 2 No |
| | V42254-B1200-B641 | 6-1393644-7 | B64 | right-angle solder leads | row a , every pitch | No | 2 No |
| OBSOLETE | V42254-B1200-B645 | 6-1393644-8 | B64 | right-angle solder leads | every row , every even pitch | No | 2 No |
| | V42254-B1200-C300 | 6-1393644-9 | C30 | right-angle solder leads | every row , every pitch | No | 2 No |
| SUPERSEDED BY 6-1393644-9 | V42254-B1200-C303 | 7-1393644-0 | C30 | right-angle solder leads | row atc , every pitch | No | 2 No |
| | V42254-B1200-C310 | 7-1393644-1 | C30 | right-angle solder leads | every row , every pitch | No | 2 Yes |
| SUPERSEDED BY 7-1393644-1 | V42254-B1200-C313 | 7-1393644-2 | C30 | right-angle solder leads | row atc , every pitch | No | 2 Yes |
| | V42254-B1200-C410 | 7-1393644-4 | C48 | right-angle solder leads | every row , every pitch | No | 2 Yes |
| SUPERSEDED BY 5650978-5 | V42254-B1200-C413 | 7-1393644-5 | C48 | right-angle solder leads | row atc , every pitch | No | 2 Yes |
| | V42254-B1200-C430 | 7-1393644-6 | C48 | right-angle solder leads | every row , every pitch | Yes | 2 No |
| OBSOLETE | V42254-B1200-C433 | 7-1393644-7 | C48 | right-angle solder leads | row atc , every pitch | No | 2 No |
| | V42254-B1200-C453 | 7-1393644-9 | C48 | right-angle solder leads | row atc , every pitch | Yes | 2 Yes |
| | V42254-B1200-C480 | 8-1393644-0 | C48 | right-angle solder leads | every row , every pitch | No | 2 No |
| | V42254-B1200-C483 | 8-1393644-1 | C48 | right-angle solder leads | row atc , every pitch | No | 2 No |
| OBSOLETE | V42254-B1200-C485 | 8-1393644-2 | C48 | right-angle solder leads | every row , every even pitch | No | 2 No |
| | V42254-B1200-C910 | 8-1393644-3 | C96 | right-angle solder leads | every row , every pitch | No | 2 Yes |
| OBSOLETE | V42254-B1200-C912 | 8-1393644-4 | C96 | right-angle solder leads | row atb , every pitch | No | 2 Yes |
| | V42254-B1200-C913 | 8-1393644-5 | C96 | right-angle solder leads | row atc , every pitch | No | 2 Yes |
| | V42254-B1200-C918 | 8-1393644-6 | C96 | right-angle solder leads | row atc , every even pitch | No | 2 Yes |
| | V42254-B1200-C930 | 8-1393644-7 | C96 | right-angle solder leads | every row , every pitch | Yes | 2 No |
| | V42254-B1200-C933 | 8-1393644-8 | C96 | right-angle solder leads | row atc , every pitch | Yes | 2 No |
| OBSOLETE | V42254-B1200-C938 | 8-1393644-9 | C96 | right-angle solder leads | row atc , every even pitch | Yes | 2 No |
| | V42254-B1200-C953 | 9-1393644-0 | C96 | right-angle solder leads | row atc , every pitch | Yes | 2 Yes |
| | V42254-B1200-C960 | 9-1393644-1 | C96 | right-angle solder leads | every row , every pitch | No | 2 No |
| OBSOLETE | V42254-B1200-C960B | 9-1393644-2 | C96 | right-angle solder leads | every row , every pitch | No | 2 No |
| | V42254-B1200-C961 | 9-1393644-3 | C96 | right-angle solder leads | row a , every pitch | No | 2 No |
| | V42254-B1200-C963 | 9-1393644-4 | C96 | right-angle solder leads | row atc , every pitch | No | 2 No |
| OBSOLETE | V42254-B1200-C963B | 9-1393644-5 | C96 | right-angle solder leads | row atc , every pitch | No | 2 No |
| | V42254-B1200-C965 | 9-1393644-6 | C96 | right-angle solder leads | every row , every even pitch | No | 2 No |
| | V42254-B1200-C968 | 9-1393644-7 | C96 | right-angle solder leads | row atc , every even pitch | No | 2 No |
| OBSOLETE | V42254-B1201-B320 | 2-1393645-5 | B32 | 2,9mm straight solder leads | every row , every pitch | No | 2 No |
| | V42254-B1201-B640 | 1392009-8 | B64 | 2,9mm straight solder leads | every row , every pitch | No | 2 No |
| | V42254-B1201-C300 | 2-1393645-6 | C30 | 2,9mm straight solder leads | every row , every pitch | No | 2 No |
| | V42254-B1201-C480 | 2-1393645-7 | C48 | 2,9mm straight solder leads | every row , every pitch | No | 2 No |
| | V42254-B1201-C960 | 2-1393502-6 | C96 | 2,9mm straight solder leads | every row , every pitch | No | 2 No |
| | V42254-B1201-C963 | 2-1393502-7 | C96 | 2,9mm straight solder leads | row atc , every pitch | No | 2 No |
| | V42254-B1202-B200 | 2-1393645-9 | B20 | 4,5mm straight solder leads | every row , every pitch | No | 2 No |
| | V42254-B1202-B320 | 3-1393645-0 | B32 | 4,5mm straight solder leads | every row , every pitch | No | 2 No |
| | V42254-B1202-B640 | 3-1393645-1 | B64 | 4,5mm straight solder leads | every row , every pitch | No | 2 No |
| | V42254-B1202-C300 | 1392009-9 | C30 | 4,5mm straight solder leads | every row , every pitch | No | 2 No |
| | V42254-B1202-C480 | 3-1393645-4 | C48 | 4,5mm straight solder leads | every row , every pitch | No | 2 No |
| | V42254-B1202-C483 | 3-1393645-5 | C48 | 4,5mm straight solder leads | row atc , every pitch | No | 2 No |
| | V42254-B1202-C960 | 3-1393645-6 | C96 | 4,5mm straight solder leads | every row , every pitch | No | 2 No |
| | V42254-B1202-C963 | 3-1393645-7 | C96 | 4,5mm straight solder leads | row atc , every pitch | No | 2 No |
| | V42254-B1202-C968 | 3-1393645-8 | C96 | 4,5mm straight solder leads | row atc , every even pitch | No | 2 No |
| OBSOLETE | V42254-B1235-C480 | 4-1393645-5 | C48 | solder lugs | every row , every pitch | No | 2 No |
| | V42254-B1235-C960 | 4-1393645-7 | C96 | solder lugs | every row , every pitch | No | 2 No |
| | V42254-B1235-C963 | 4-1393645-8 | C96 | solder lugs | row atc , every pitch | No | 2 No |
| | V42254-B1240-B320 | 5-1393645-1 | B32 | 13mm straight wire-wrap pins | every row , every pitch | No | 2 No |
| | V42254-B1240-B640 | 5-1393645-2 | B64 | 13mm straight wire-wrap pins | every row , every pitch | No | 2 No |
| | V42254-B1240-C300 | 5-1393645-3 | C30 | 13mm straight wire-wrap pins | every row , every pitch | No | 2 No |
| | V42254-B1240-C480 | 5-1393645-4 | C48 | 13mm straight wire-wrap pins | every row , every pitch | No | 2 No |
| | V42254-B1240-C960 | 5-1393645-5 | C96 | 13mm straight wire-wrap pins | every row , every pitch | No | 2 No |
| | V42254-B1240-C963 | 5-1393645-7 | C96 | 13mm straight wire-wrap pins | row atc , every pitch | No | 2 No |
| | V42254-B1240-C963B | 5-1393645-8 | C96 | 13mm straight wire-wrap pins | row atc , every pitch | No | 2 No |
| SUPERSEDED BY 6-1393644-6 | V42254-B1300-B640 | 4-1393646-5 | B64 | right-angle solder leads | every row , every pitch | No | 3 No |
| SUPERSEDED BY 9-1393644-1 | V42254-B1300-C960 | 4-1393646-6 | C96 | right-angle solder leads | every row , every pitch | No | 3 No |
| SUPERSEDED BY 9-1393644-4 | V42254-B1300-C963 | 4-1393646-7 | C96 | right-angle solder leads | row atc , every pitch | No | 3 No |
| | V42254-F1200-C480 | 1-1393647-2 | C48 | right-angle solder leads | every row , every pitch | No | 2 No |
| | V42254-F1200-C960 | 1-1393647-3 | C96 | right-angle solder leads | every row , every pitch | No | 2 No |
| | V42254-F1200-C963 | 1-1393647-4 | C96 | right-angle solder leads | row atc , every pitch | No | 2 No |

- 4) According BT 236 level 2.
3) According BT 222 level 1.
2) Connectors have a flux-tight coating.
1) First and last contact of each loaded row is a pre-mating (make first / break last) contact.

Active part numbers.
Contact TE for other configuration availability

| | | | | | | | |
|----------|---------------|------------------|-----|-----------|----------|---------------------------------------|--|
| | | TE Connectivity | | SCALE | | WEIGHT | |
| MATERIAL | | DIMENSIONS IN MM | | PART NAME | | MATERIAL | |
| B6 | ECR-10-004503 | 13SEP11 | MKO | DATE | 10.02.89 | Pin Assembly Eurocard | |
| B5 | ECR-10-002555 | 01JUN10 | MKO | NAME | Covetier | Types B, C and short versions | |
| B4 | SR10-0177-03 | 18 JUN 03 | KV | DEP | PE Com | PART NO. | |
| B3 | SR10-0415-02 | 16 Sep 02 | BC | | | V42254-B1***-C***-7626 | |
| B2 | SR10-0157-02 | 13 Mar 02 | BC | | | TOLERANCE UNLESS SPECIFIED OTHERWISE | |
| B1 | SR10-0130-02 | 28 Feb 02 | BC | | | REV. CHANGE ORDER | |
| B | SR10-0198-01 | 21.05.01 | BC | | | DATE | |
| A | IWO 007012 | 20.07.00 | VVS | | | APP. Customer Drawing Nr. C 1392009-8 | |
| SHT. 2- | | OF 2 | | | | | |



Компания «ЭлектроПласт» предлагает заключение долгосрочных отношений при поставках импортных электронных компонентов на взаимовыгодных условиях!

Наши преимущества:

- Оперативные поставки широкого спектра электронных компонентов отечественного и импортного производства напрямую от производителей и с крупнейших мировых складов;
- Поставка более 17-ти миллионов наименований электронных компонентов;
- Поставка сложных, дефицитных, либо снятых с производства позиций;
- Оперативные сроки поставки под заказ (от 5 рабочих дней);
- Экспресс доставка в любую точку России;
- Техническая поддержка проекта, помощь в подборе аналогов, поставка прототипов;
- Система менеджмента качества сертифицирована по Международному стандарту ISO 9001;
- Лицензия ФСБ на осуществление работ с использованием сведений, составляющих государственную тайну;
- Поставка специализированных компонентов (Xilinx, Altera, Analog Devices, Intersil, Interpoint, Microsemi, Aeroflex, Peregrine, Syfer, Eurofarad, Texas Instrument, Miteq, Cobham, E2V, MA-COM, Hittite, Mini-Circuits, General Dynamics и др.);

Помимо этого, одним из направлений компании «ЭлектроПласт» является направление «Источники питания». Мы предлагаем Вам помощь Конструкторского отдела:

- Подбор оптимального решения, техническое обоснование при выборе компонента;
- Подбор аналогов;
- Консультации по применению компонента;
- Поставка образцов и прототипов;
- Техническая поддержка проекта;
- Защита от снятия компонента с производства.



Как с нами связаться

Телефон: 8 (812) 309 58 32 (многоканальный)

Факс: 8 (812) 320-02-42

Электронная почта: org@eplast1.ru

Адрес: 198099, г. Санкт-Петербург, ул. Калинина, дом 2, корпус 4, литера А.