

## Features

- Low Conversion Loss
- 1 dB Compression: +21 dBm
- LO Drive Level: +11 to +23 dBm
- DC - 100 MHz IF Bandwidth
- Lead-Free SOIC-8 Package
- 100% Matte Tin Plating over Copper
- Halogen-Free "Green" Mold Compound
- 260°C Reflow Compatible
- RoHS\* Compliant Version of MD54-0004

## Description

M/A-COM's MAMXSS0011 is a passive mixer that achieves the performance of a double balanced diode mixer in a lead-free surface mount plastic SOIC-8 package. The MAMXSS0011 is ideally suited for use where high level RF signals and very wide dynamic range are required.

Typical applications include frequency up/down conversion, modulation, demodulation in systems such as cellular receivers and transmitters and 900 MHz ISM band applications.

The MAMXSS0011 uses FETs as mixing elements to achieve very wide dynamic range in a low cost plastic package. The mixer operates with LO drive levels of +11 dBm to +23 dBm. DC bias is not required.

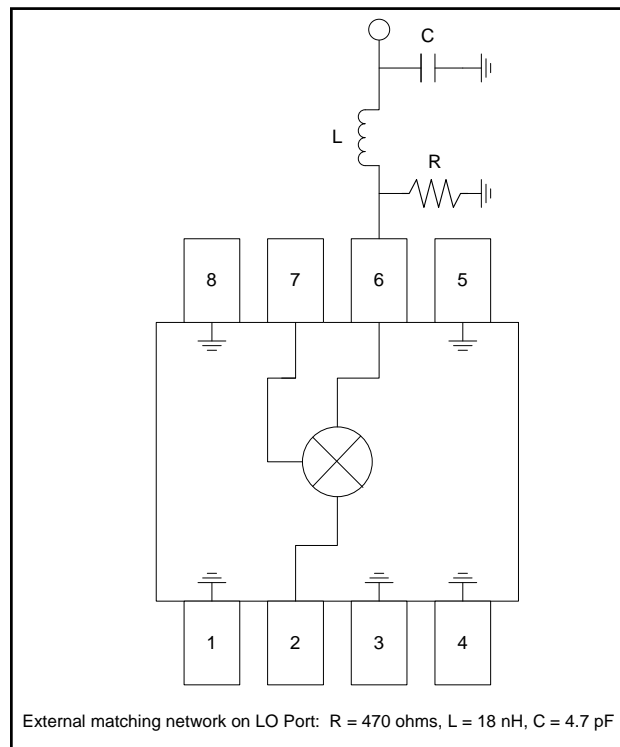
M/A-COM's MAMXSS0011 is fabricated using a mature 1-micron GaAs process. The process features full IC passivation for increased performance and reliability.

## Ordering Information <sup>1</sup>

Part Number	Package
MAMXSS0011	Bulk Packaging
MAMXSS0011TR	1000 piece reel
MAMXSS0011SMB	Designer's Kit

1. Reference Application Note M513 for reel size information.

## Functional Diagram



## Pin Configuration

Pin No.	Function	Pin No.	Function
1	Ground	5	Ground
2	RF Port	6	LO Port
3	Ground	7	IF Port
4	Ground	8	Ground

\* Restrictions on Hazardous Substances, European Union Directive 2002/95/EC.

**ADVANCED:** Data Sheets contain information regarding a product M/A-COM Technology Solutions is considering for development. Performance is based on target specifications, simulated results, and/or prototype measurements. Commitment to develop is not guaranteed.  
**PRELIMINARY:** Data Sheets contain information regarding a product M/A-COM Technology Solutions has under development. Performance is based on engineering tests. Specifications are typical. Mechanical outline has been fixed. Engineering samples and/or test data may be available. Commitment to produce in volume is not guaranteed.

• **North America** Tel: 800.366.2266 / Fax: 978.366.2266  
 • **Europe** Tel: 44.1908.574.200 / Fax: 44.1908.574.300  
 • **Asia/Pacific** Tel: 81.44.844.8296 / Fax: 81.44.844.8298  
 Visit [www.macomtech.com](http://www.macomtech.com) for additional data sheets and product information.  
 M/A-COM Technology Solutions Inc. and its affiliates reserve the right to make changes to the product(s) or information contained herein without notice.

## Electrical Specifications:

Test Conditions: RF = 900 MHz (-10 dBm), LO = 840 MHz (13 dBm), IF = 60 MHz, T<sub>A</sub> = +25°C

Parameter	Test Conditions	Units	Min	Typ	Max
Conversion Loss	—	dB	—	7.5	9.5
Isolation	LO to RF	dB	—	38	—
	LO to IF	dB	—	22	—
	RF to IF	dB	—	12	—
VSWR	LO Port	Ratio	—	2.5:1	—
	RF Port	Ratio	—	2.0:1	—
	IF Port	Ratio	—	2.0:1	—
Input 1 dB Compression	RF Freq. = 900 MHz, LO = +13 dBm	dBm	—	+21	—
Two-Tone IM Ratio <sup>2</sup>	Two tones at -10 dBm each, Tone spacing 100 kHz, IF = 60 MHz	dBc	45	60	—

2. IMR vs RF drive level can be calculated by the formula:  $IMR = 45 - (1.5 \times P_{IN})$

## Absolute Maximum Ratings<sup>3,4</sup>

Parameter	Absolute Maximum
RF Input Power <sup>5</sup>	+22 dBm
LO Drive Power <sup>5</sup>	+23 dBm
Operating Temperature	-40°C to +85°C
Storage Temperature	-65°C to +150°C

- Exceeding any one or combination of these limits may cause permanent damage to this device.
- M/A-COM does not recommend sustained operation near these survivability limits.
- Total combined power for RF and LO ports should not exceed +23 dBm.

## Handling Procedures

Please observe the following precautions to avoid damage:

## Static Sensitivity

Gallium Arsenide Integrated Circuits are sensitive to electrostatic discharge (ESD) and can be damaged by static electricity. Proper ESD control techniques should be used when handling these devices.

## Spurious Table

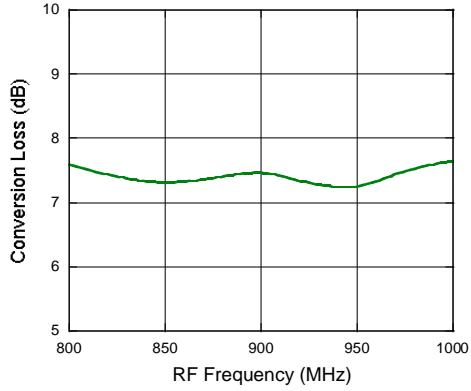
Harmonic of LO	4x	8.9	40.1	70.1	69.9	73.4
		-1.1	39.9	61.6	63.9	64.4
	3x	2.2	34.2	59.8	67.3	73
		-7.7	34.1	63.8	64.5	63
	2x	2.9	23.7	72.8	72.9	71.9
		-7.1	23.8	64.7	63.3	61.9
1x	-2.2	0	61.4	71.3	71.1	
	-12.2	0	63.3	61.8	61.9	
0x	X	4.7	65.1	71.5	72.1	
	X	4.8	61.3	61.9	62.3	
	0x	1x	2x	3x	4x	
<b>Harmonic of RF</b>						

The spurious table shows the spurious signals resulting from the mixing of the RF and LO input signals, assuming down conversion. Mixing products are indicated by the number of dB below the conversion loss. The lower frequency mixing term is shown for two different RF input levels. The top number is for an RF input power of -5 dBm, the lower number is for -15 dBm.

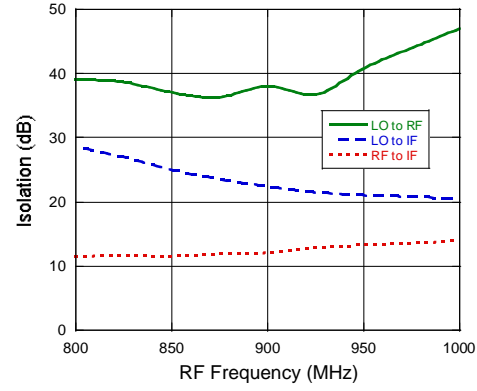
$|mF_{RF} - nF_{LO}|$ , RF = -5 dBm  
 $|mF_{RF} - nF_{LO}|$ , RF = -15 dBm  
 RF Frequency = 900 MHz  
 LO Frequency = 840 MHz

## Typical Performance Curves

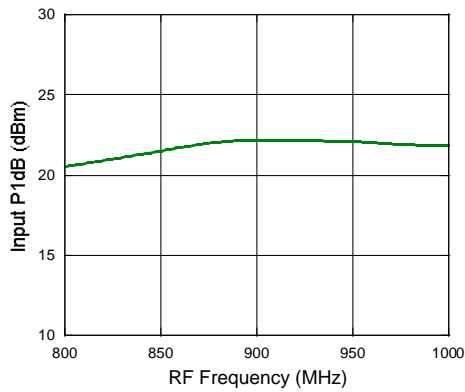
### Conversion Loss



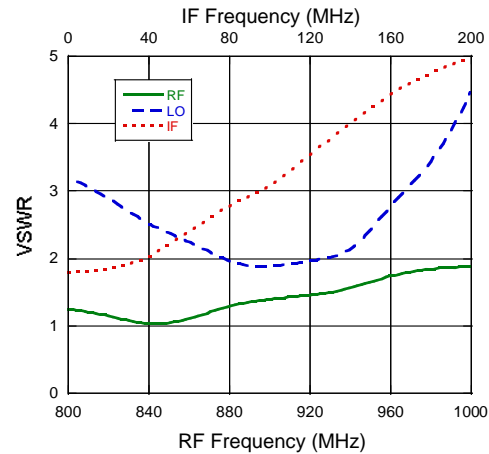
### Isolation



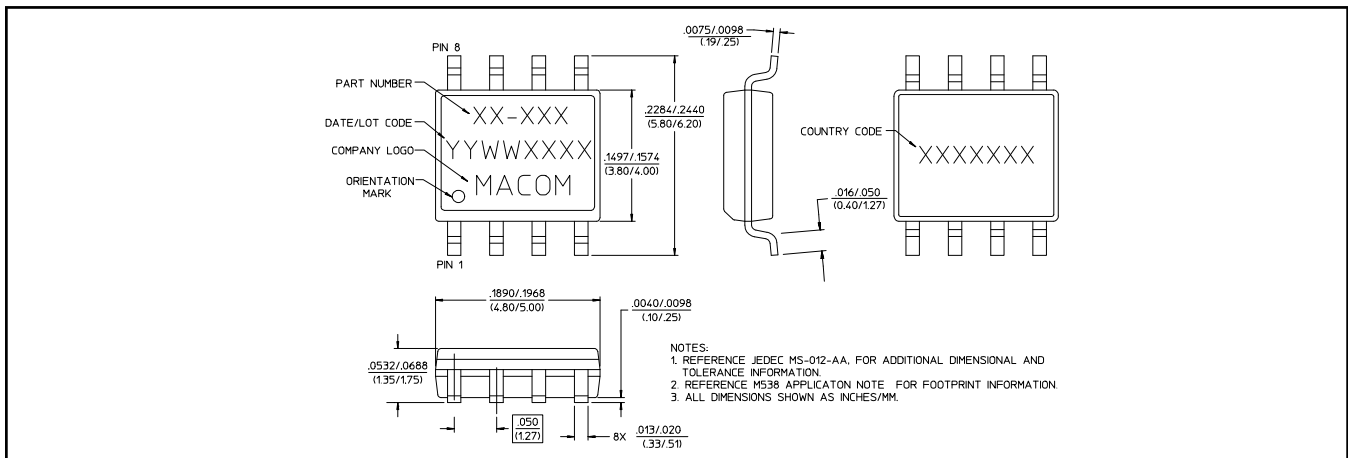
### Input P1dB



### RF, LO and IF VSWR



## Lead-Free SOIC-8†



† Reference Application Note M538 for lead-free solder reflow recommendations.

**ADVANCED:** Data Sheets contain information regarding a product M/A-COM Technology Solutions is considering for development. Performance is based on target specifications, simulated results, and/or prototype measurements. Commitment to develop is not guaranteed.  
**PRELIMINARY:** Data Sheets contain information regarding a product M/A-COM Technology Solutions has under development. Performance is based on engineering tests. Specifications are typical. Mechanical outline has been fixed. Engineering samples and/or test data may be available. Commitment to produce in volume is not guaranteed.

- **North America** Tel: 800.366.2266 / Fax: 978.366.2266
- **Europe** Tel: 44.1908.574.200 / Fax: 44.1908.574.300
- **Asia/Pacific** Tel: 81.44.844.8296 / Fax: 81.44.844.8298

Visit [www.macomtech.com](http://www.macomtech.com) for additional data sheets and product information.

M/A-COM Technology Solutions Inc. and its affiliates reserve the right to make changes to the product(s) or information contained herein without notice.



Компания «ЭлектроПласт» предлагает заключение долгосрочных отношений при поставках импортных электронных компонентов на взаимовыгодных условиях!

Наши преимущества:

- Оперативные поставки широкого спектра электронных компонентов отечественного и импортного производства напрямую от производителей и с крупнейших мировых складов;
- Поставка более 17-ти миллионов наименований электронных компонентов;
- Поставка сложных, дефицитных, либо снятых с производства позиций;
- Оперативные сроки поставки под заказ (от 5 рабочих дней);
- Экспресс доставка в любую точку России;
- Техническая поддержка проекта, помощь в подборе аналогов, поставка прототипов;
- Система менеджмента качества сертифицирована по Международному стандарту ISO 9001;
- Лицензия ФСБ на осуществление работ с использованием сведений, составляющих государственную тайну;
- Поставка специализированных компонентов (Xilinx, Altera, Analog Devices, Intersil, Interpoint, Microsemi, Aeroflex, Peregrine, Syfer, Eurofarad, Texas Instrument, Miteq, Cobham, E2V, MA-COM, Hittite, Mini-Circuits, General Dynamics и др.);

Помимо этого, одним из направлений компании «ЭлектроПласт» является направление «Источники питания». Мы предлагаем Вам помощь Конструкторского отдела:

- Подбор оптимального решения, техническое обоснование при выборе компонента;
- Подбор аналогов;
- Консультации по применению компонента;
- Поставка образцов и прототипов;
- Техническая поддержка проекта;
- Защита от снятия компонента с производства.



#### Как с нами связаться

**Телефон:** 8 (812) 309 58 32 (многоканальный)

**Факс:** 8 (812) 320-02-42

**Электронная почта:** [org@eplast1.ru](mailto:org@eplast1.ru)

**Адрес:** 198099, г. Санкт-Петербург, ул. Калинина, дом 2, корпус 4, литера А.