

# BGS16MA12

## MIPI 2.0 SP6T switch for LTE diversity, Tx and LAA applications

### Key Features

- 0.1 to 6 GHz coverage for LTE and LAA application
- LTE TX power handling capabilities
- Ultra low insertion loss: 0.65dB at Band 42
- Small form factor 1.1mm x 1.9mm
- Fully compatible with MIPI 2.0 RFFE standard
- No decoupling capacitors required (Unless DC applied on RF lines)

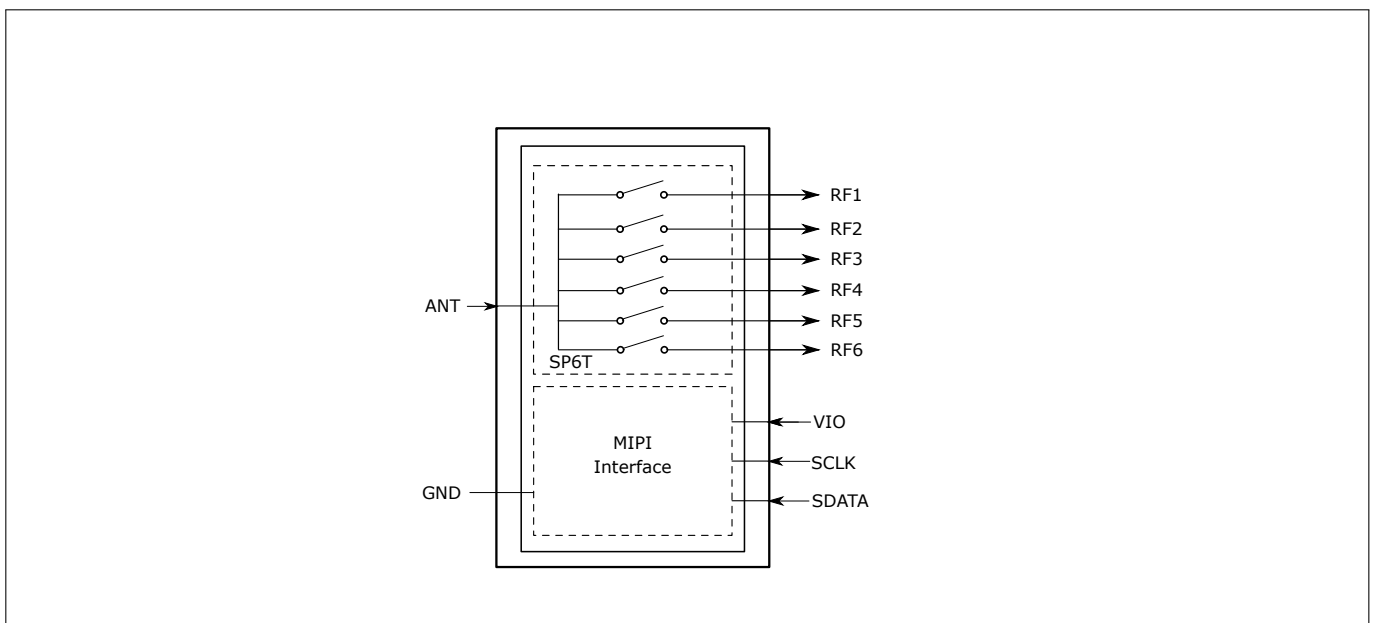
### Applications

The SP6T switch is a band selection switch for LTE applications. With LTE TX power handling capability it is suitable for both LTE diversity path and LTE uplink Tx applications. The switch covers up to 6 GHz, so it covers Band 42, Band 43 and LAA.

### Product Validation

Qualified for industrial applications according to the relevant tests of JEDEC47/20/22.

### Block diagram



# BGS16MA12

## MIPI 2.0 SP6T switch for LTE diversity, Tx and LAA applications

---



### Table of Contents

## Table of Contents

Table of Contents	1
1 Features	2
2 Maximum Ratings	3
3 Operation ranges	4
4 RF Characteristics	5
5 MIPI RFFE Specification	7
6 Package related information	11

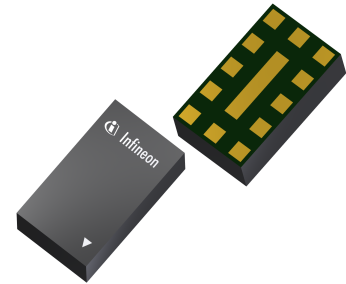
# BGS16MA12

## MIPI 2.0 SP6T switch for LTE diversity, Tx and LAA applications

### Features

## 1 Features

- 0.1 to 6 GHz coverage for LTE and LAA application
- Suitable for LTE / WCDMA / TDCDMA Applications
- LTE TX power handling capabilities
- Ultra low insertion loss: 0.65dB at Band 42
- Small form factor 1.1mm x 1.9mm
- Fully compatible with MIPI 2.0 RFFE standard
- No decoupling capacitors required (Unless DC applied on RF lines)
- Low harmonic generation
- High port-to-port-isolation
- On chip control logic including ESD protection
- No power supply blocking required
- High EMI robustness
- RoHS and WEEE compliant package



## Description

This SP6T RF switch is a perfect solution for multimode handsets based on LTE and WCDMA. It is based on Infineon's proprietary technology and has excellent RF performance. The ultra-low insertion loss helps customers to achieve high system sensitivity, the coverage of LTE Tx power and 6 GHz enables very broad application. It features DC-free RF ports, external DC blocking capacitors at the RF ports are only required if DC voltage is applied externally. Its on chip MIPI RFFE 2.0 controller is fully compatible with industry standard.

Product Name	Marking	Package
BGS16MA12	B2	ATSLP-12-10

# BGS16MA12

## MIPI 2.0 SP6T switch for LTE diversity, Tx and LAA applications

### Maximum Ratings

## 2 Maximum Ratings

**Table 1: Maximum Ratings, Table I** at  $T_A = 25\text{ }^\circ\text{C}$ , unless otherwise specified

Parameter	Symbol	Values			Unit	Note / Test Condition
		Min.	Typ.	Max.		
Frequency Range	$f$	0.1	–	6.0	GHz	1)
Supply voltage <sup>2)</sup>	$V_{IO}$	0	–	2.1	V	–
Storage temperature range	$T_{STG}$	-55	–	150	$^\circ\text{C}$	–
RF input power at all TRx ports	$P_{RF\_max}$	–	–	35	dBm	Short momentary / $50\Omega$
ESD capability, CDM <sup>4)</sup>	$V_{ESD\_CDM}$	-500	–	+500	V	
ESD capability, HBM <sup>5)</sup>	$V_{ESD\_HBM}$	-1	–	+1	kV	
ESD capability, system level (RF port) <sup>6)</sup>	$V_{ESD\_ANT}$	-8	–	+8	kV	ANT vs system GND, with 27 nH shunt inductor
Junction temperature	$T_j$	–	–	125	$^\circ\text{C}$	–

<sup>1)</sup> Switch has a low-pass response. For higher frequencies, losses have to be considered for their impact on thermal heating. The DC voltage at RF ports  $V_{RFDC}$  has to be 0V.

<sup>2)</sup> Note: Consider any ripple voltages on top of  $V_{IO}$ . Including RF ripple,  $V_{IO}$  must not exceed the maximum ratings:  $V_{IO} = V_{DC} + V_{Ripple}$ .

<sup>4)</sup> Field-Induced Charged-Device Model ANSI/ESDA/JEDEC JS-002. Simulates charging/discharging events that occur in production equipment and processes. Potential for CDM ESD events occurs whenever there is metal-to-metal contact in manufacturing.

<sup>5)</sup> Human Body Model ANSI/ESDA/JEDEC JS-001 ( $R = 1,5\text{ k}\Omega$ ,  $C = 100\text{ pF}$ ).

<sup>6)</sup> IEC 61000-4-2 ( $R = 330\ \Omega$ ,  $C = 150\text{ pF}$ ), contact discharge.

**Warning: Stresses above the max. values listed here may cause permanent damage to the device. Maximum ratings are absolute ratings; exceeding only one of these values may cause irreversible damage to the integrated circuit. Exposure to conditions at or below absolute maximum rating but above the specified maximum operation conditions may affect device reliability and life time. Functionality of the device might not be given under these conditions.**

**Table 2: Maximum Ratings, Table II** at  $T_A = 25\text{ }^\circ\text{C}$ , unless otherwise specified

Parameter	Symbol	Values			Unit	Note / Test Condition
		Min.	Typ.	Max.		
Thermal resistance junction - soldering point	$R_{thJS}$	–	–	62	K/W	–
Maximum DC-voltage on RF-Ports and RF-Ground	$V_{RFDC}$	0	–	0	V	No DC voltages allowed on RF-Ports

## Operation ranges

### 3 Operation ranges

Table 3: Operation ranges at  $T_A = -40\text{ °C}$  to  $85\text{ °C}$ 

Parameter	Symbol	Values			Unit	Note / Test Condition
		Min.	Typ.	Max.		
Supply voltage	$V_{IO}$	1.65	1.8	1.95	V	–
RFFE input high voltage <sup>1</sup>	$V_{IH}$	$0.7 \cdot V_{IO}$	–	$V_{IO}$	V	–
RFFE input low voltage <sup>1</sup>	$V_{IL}$	0	–	$0.3 \cdot V_{IO}$	V	–
RFFE output high voltage <sup>1</sup>	$V_{OH}$	$0.8 \cdot V_{IO}$	–	$V_{IO}$	V	–
RFFE output low voltage <sup>1</sup>	$V_{OL}$	0	–	$0.2 \cdot V_{IO}$	V	–
RFFE control input capacitance	$C_{Ctrl}$	–	–	2	pF	–
Supply current	$I_{VIO}$	–	2	–	$\mu\text{A}$	Idle State
Supply current	$I_{VIO}$	–	60	125	$\mu\text{A}$	Operation state

<sup>1</sup>SCLK and SDATA

Table 4: RF input power

Parameter	Symbol	Values			Unit	Note / Test Condition
		Min.	Typ.	Max.		
RF input power on TRX ports	$P_{RF}$	–	–	32	dBm	CW / VSWR 1:1 / 25 °C
RF input power on TRX ports	$P_{RF}$	–	–	30	dBm	CW / VSWR 6:1 / 25 °C

**RF Characteristics**

**4 RF Characteristics**

**Table 5: RF Characteristics** at  $T_A = -40\text{ }^{\circ}\text{C} \dots 85\text{ }^{\circ}\text{C}$ ,  $P_{IN} = 0\text{ dBm}$ , Supply Voltage  $V_{IO} = 1.65 \dots 1.95\text{V}$ , unless otherwise specified. Open ports are terminated with  $50\ \Omega$ .

Parameter	Symbol	Values			Unit	Note / Test Condition
		Min.	Typ.	Max.		
<b>Insertion Loss<sup>1)</sup></b>						
All TRx Ports	IL	-	0.30	0.43	dB	698–960 MHz
		-	0.38	0.48	dB	1428–1920 MHz
		-	0.41	0.49	dB	1990–2170 MHz
		-	0.46	0.55	dB	2170–2690 MHz
		-	0.70	0.79	dB	3400–3600 MHz
		-	0.80	0.85	dB	3600–3800 MHz
		-	1.30	1.45	dB	5000–6000 MHz
<b>Return Loss<sup>1)</sup></b>						
All TRx Ports	RL	22	26	-	dB	698–960 MHz
		21	25	-	dB	1428–1920 MHz
		20	23	-	dB	1990–2170 MHz
		16	20	-	dB	2170–2690 MHz
		13	16	-	dB	3400–3600 MHz
		12	15	-	dB	3600–3800 MHz
		8	12	-	dB	5000–6000 MHz
<b>Isolation<sup>1) 2)</sup></b>						
All TRx Ports	ISO	39	50	-	dB	698–960 MHz
		33	43	-	dB	1428–1920 MHz
		32	49	-	dB	1990–2170 MHz
		30	37	-	dB	2170–2690 MHz
		28	34	-	dB	3400–3600 MHz
		28	33	-	dB	3600–3800 MHz
		22	27	-	dB	5000–6000 MHz
<b>Harmonic Generation (UMTS Band 1, Band 5)<sup>1)</sup></b>						
2 <sup>nd</sup> harmonic generation	$P_{H2}$	-	-80	-69	dBm	27 dBm, 50 $\Omega$ , CW mode
3 <sup>rd</sup> harmonic generation	$P_{H3}$	-	-60	-59	dBm	27 dBm, 50 $\Omega$ , CW mode
<b>Intermodulation Distortion (UMTS Band 1, Band 5)<sup>1)</sup></b>						
2 <sup>nd</sup> order intermodulation	IMD2 low <sup>3)</sup>	-	-	-110	dBm	IMT, US Cell (see Tab. 7)
3 <sup>rd</sup> order intermodulation	IMD3	-	-	-110	dBm	IMT, US Cell (see Tab. 8)
2 <sup>nd</sup> order intermodulation	IMD2 high	-	-	-110	dBm	IMT, US Cell (see Tab. 7)

<sup>1)</sup>On application board without any matching components.

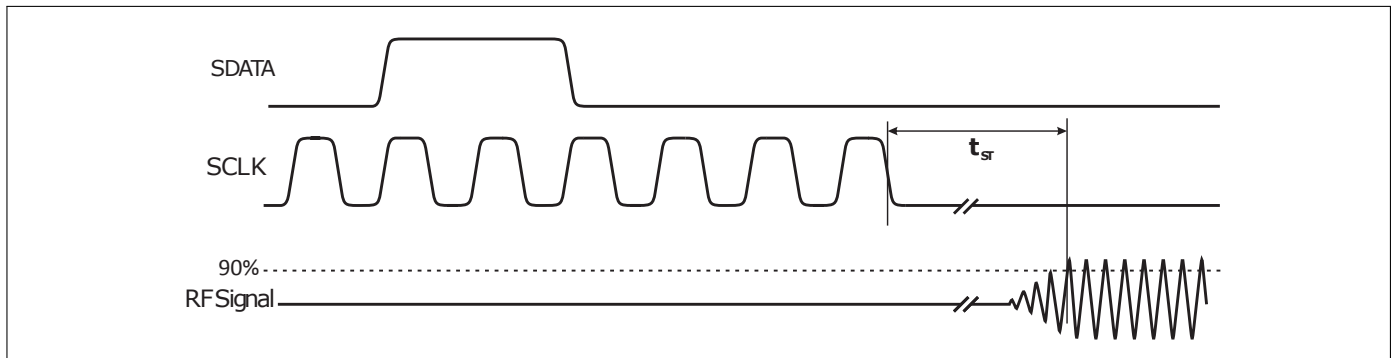
<sup>2)</sup>Isolation to inactive ports when one path is active.

<sup>3)</sup>With 27 nH shunt inductor at the ANT.

**RF Characteristics**

**Table 6: Switching Time** at  $T_A = 25\text{ }^\circ\text{C}$ ,  $P_{IN} = 0\text{ dBm}$ , Supply Voltage  $V_{IO} = 1.65\text{...}1.95\text{V}$ , unless otherwise specified

Parameter	Symbol	Values			Unit	Note / Test Condition
		Min.	Typ.	Max.		
<b>Switching Time</b>						
RF Rise Time	$t_{RT}$	-	-	2	$\mu\text{s}$	10 % to 90 % RF signal
Switching Time	$t_{ST}$	-	3	4.5	$\mu\text{s}$	50% last SCLK falling edge to 90% RF signal, see Fig. 1
Power Up Settling Time	$t_{Pup}$	-	10	25	$\mu\text{s}$	After power down mode



**Figure 1: MIPI to RF time**

**Table 7: IMD2 Testcases**

Band	CW tone 1 (MHz)	CW tone 1 (dBm)	CW tone 2 (MHz)	CW tone 2 (dBm)
IMT	1950	20	190 (IMD2 low)	-15
			4090 (IMD2 high)	
US Cell	835	20	45 (IMD2 low)	-15
			1715 (IMD2 high)	

**Table 8: IMD3 Testcases**

Band	CW tone 1 (MHz)	CW tone 1 (dBm)	CW tone 2 (MHz)	CW tone 2 (dBm)
IMT	1950	20	1760	-15
US Cell	835	20	790	-15

# BGS16MA12

## MIPI 2.0 SP6T switch for LTE diversity, Tx and LAA applications

### MIPI RFFE Specification

## 5 MIPI RFFE Specification

All sequences are implemented according to the 'MIPI Alliance Specification for RF Front-End Control Interface' document version 2.0 - 25. September 2014.

**Table 9: MIPI Features**

Feature	Supported	Comment
MIPI RFFE 1.10 and 2.0 standards	Yes	
Register 0 write command sequence	Yes	
Register read and write command sequence	Yes	
Extended register read and write command sequence	Yes	
Support for standard frequency range operations for SCLK	Yes	Up to 26 MHz for read and write
Support for extended frequency range operations for SCLK	Yes	Up to 52 MHz for write <sup>1)</sup>
Half speed read	Yes	
Full speed read	Yes	
Full speed write	Yes	
Programmable Group SID	Yes	
Trigger functionality	Yes	
Broadcast / GSID write to PM TRIG register	Yes	
Reset	Yes	Via VIO, PM TRIG or software register <sup>1)</sup>
Status / error sum register	Yes	
Extended product ID register	Yes	
Revision ID register	Yes	
Group SID register	Yes	
USID_Sel pin	No	External pin for changing USID is not implemented

<sup>1)</sup> only supported by MIPI 2.0 Standard

**Table 10: Startup Behavior**

Feature	State	Comment
Power status	Power down mode	Power down mode after start-up
Trigger function	Enabled	Enabled after start-up. Programmable via behavior control register



**MIPI RFFE Specification**

**Table 11: Register Mapping, Table I**

Register Address	Register Name	Data Bits	Function	Description	Default	Broadcast_ID Support	Trigger Support	R/W	
0x00	SW_CTRL0	6:0	SW_CTRL0	RF Switch Control	0	No	Yes	R/W	
0x1C	PM_TRIG	7	PWR_MODE(1), Operation Mode	0: Normal operation (ACTIVE)	1	Yes	No	R/W	
				1: Low Power Mode (LOW POWER)					
		6	PWR_MODE(0), State Bit Vector	0: No action (ACTIVE)	0				
				1: Powered Reset (STARTUP to ACTIVE to LOW POWER)					
		5	TRIGGER_MASK_2	0: Data masked (held in shadow REG)	0				No
				1: Data not masked (ready for transfer to active REG)					
		4	TRIGGER_MASK_1	0: Data masked (held in shadow REG)	0				
				1: Data not masked (ready for transfer to active REG)					
		3	TRIGGER_MASK_0	0: Data masked (held in shadow REG)	0				
1: Data not masked (ready for transfer to active REG)									
2	TRIGGER_2	0: No action (data held in shadow REG)	0	Yes					
		1: Data transferred to active REG							
1	TRIGGER_1	0: No action (data held in shadow REG)	0						
		1: Data transferred to active REG							
0	TRIGGER_0	0: No action (data held in shadow REG)	0						
		1: Data transferred to active REG							
0x1D	PRODUCT_ID	7:0	PRODUCT_ID		This is a read-only register. However, during the programming of the USID a write command sequence is performed on this register, even though the write does not change its value.	0xCC	No	No	R
0x1E	MAN_ID	7:0	MANUFACTURER_ID [7:0]		This is a read-only register. However, during the programming of the USID, a write command sequence is performed on this register, even though the write does not change its value.	0x1A	No	No	R
0x1F	MAN_USID	7:6	RESERVED		Reserved for future use	00	No	No	R
		5:4	MANUFACTURER_ID [9:8]	These bits are read-only. However, during the programming of the USID, a write command sequence is performed on this register even though the write does not change its value.	01				
		3:0	USID[3:0]	Programmable USID. Performing a write to this register using the described programming sequences will program the USID in devices supporting this feature. These bits store the USID of the device.	0x8	No	No	R/W	

### MIPI RFFE Specification

**Table 12: Register Mapping, Table II**

Register Address	Register Name	Data Bits	Function	Description	Default	Broadcast_ID Support	Trigger Support	R/W
0x20	EXT_PROD_ID <sup>1)</sup>	7:0	EXT_PRODUCT_ID		0x00	No	No	R
0x21	REV_ID	7:4	MAIN_REVISION		0x4	No	No	R/W
		3:0	SUB_REVISION		0x0			
0x22	GSID <sup>1)</sup>	7:4	GSID0[3:0]	Primary Group Slave ID.	0x0	No	No	R/W
		3:0	RESERVED	Reserved for secondary Group Slave ID.	0x0			
0x23	UDR_RST	7	UDR_RST	Reset all configurable non-RFFE Reserved registers to default values. 0: Normal operation 1: Software reset	0	No	No	R/W
		6:0	RESERVED	Reserved for future use	0000000			
0x24	ERR_SUM <sup>1)</sup>	7	RESERVED	Reserved for future use	0	No	No	R
		6	COMMAND_FRAME_PAR_ERR	Command Sequence received with parity error – discard command.	0			
		5	COMMAND_LENGTH_ERR	Command length error.	0			
		4	ADDRESS_FRAME_PAR_ERR	Address frame with parity error.	0			
		3	DATA_FRAME_PAR_ERR	Data frame with parity error.	0			
		2	READ_UNUSED_REG	Read command to an invalid address.	0			
		1	WRITE_UNUSED_REG	Write command to an invalid address.	0			
0	BID_GID_ERR	Read command with a BROADCAST_ID or GROUP_ID.	0					

<sup>1)</sup>Only supported by MIPI 2.0 Standard

**Table 13: Modes of Operation (Truth Table, Register\_0)**

State <sup>1)</sup>	Value (Bin.)	Mode
0	00000000	ALL OFF (Isolation)
1	00000001	RF1 ON
2	00000010	RF2 ON
3	00000100	RF3 ON
4	00001000	RF4 ON
5	00010000	RF5 ON
6	00100000	RF6 ON

<sup>1)</sup>Chip state is 0 (isolation) in unused states

# BGS16MA12

## MIPI 2.0 SP6T switch for LTE diversity, Tx and LAA applications

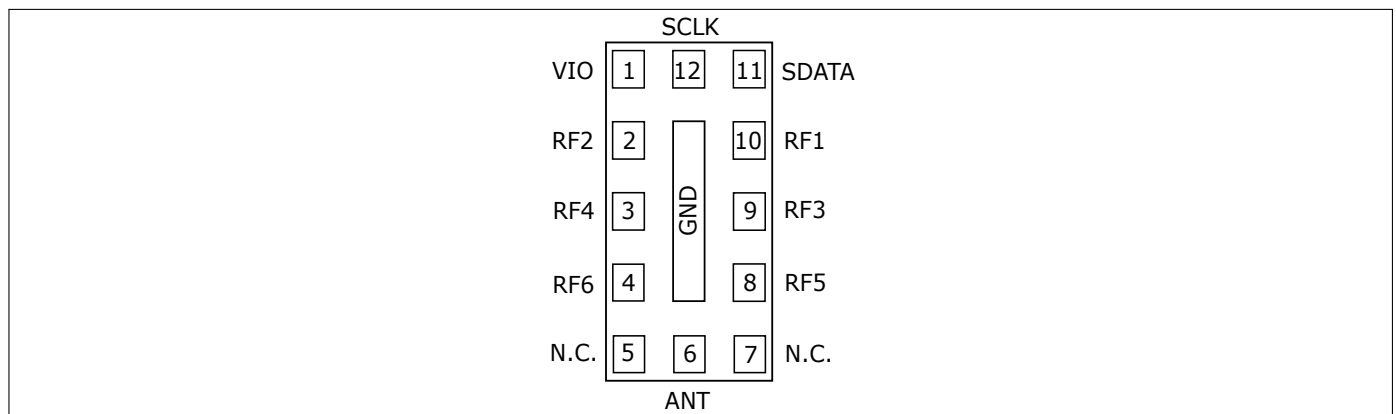
### Package related information

## 6 Package related information

The switch has a package size of 1100  $\mu\text{m}$  in x-dimension and 1900  $\mu\text{m}$  in y-dimension with a maximum deviation of  $\pm 50 \mu\text{m}$  in each dimension. Fig. 2 shows the footprint from top view. The definition of each pin can be found in Tab. 15.

**Table 14: Mechanical Data**

Parameter	Symbol	Value	Unit
Package X-Dimension	X	1100 $\pm$ 50	$\mu\text{m}$
Package Y-Dimension	Y	1900 $\pm$ 50	$\mu\text{m}$
Package Height	H	0.65 max	$\mu\text{m}$



**Figure 2:** Footprint, top view

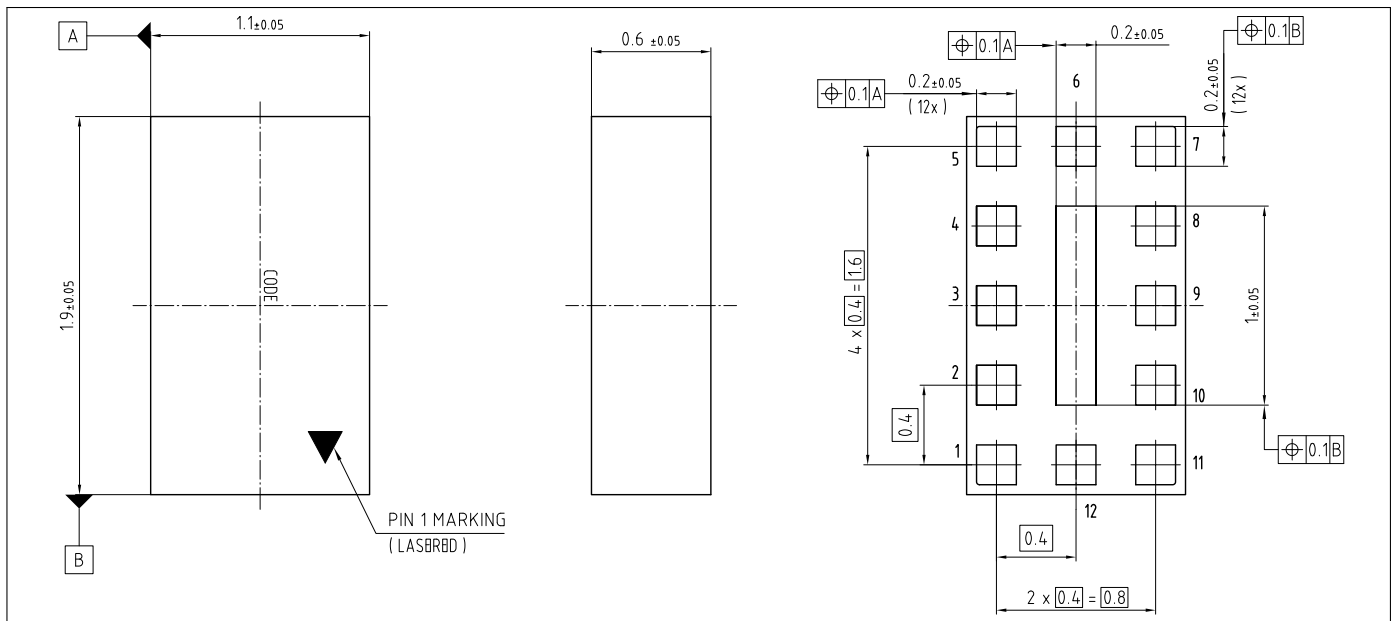
**Table 15: Pin Definition**

No.	Name	Pin Type	Function
1	VIO	Power	MIPI RFFE Power Supply
2	RF2	RF	RF-Port TRX No. 2
3	RF4	RF	RF-Port TRX No. 4
4	RF6	RF	RF-Port TRX No. 6
5	N.C.	na	Not connected
6	ANT	RF	RF Antenna Port
7	N.C.	na	Not connected
8	RF5	RF	RF-Port TRX No. 5
9	RF3	RF	RF-Port TRX No. 3
10	RF1	RF	RF-Port TRX No. 1
11	SDATA	I/O	MIPI RFFE Data I/O
12	SCLK	I/O	MIPI RFFE Clock
GND	GND	Ground	Ground (center pin)

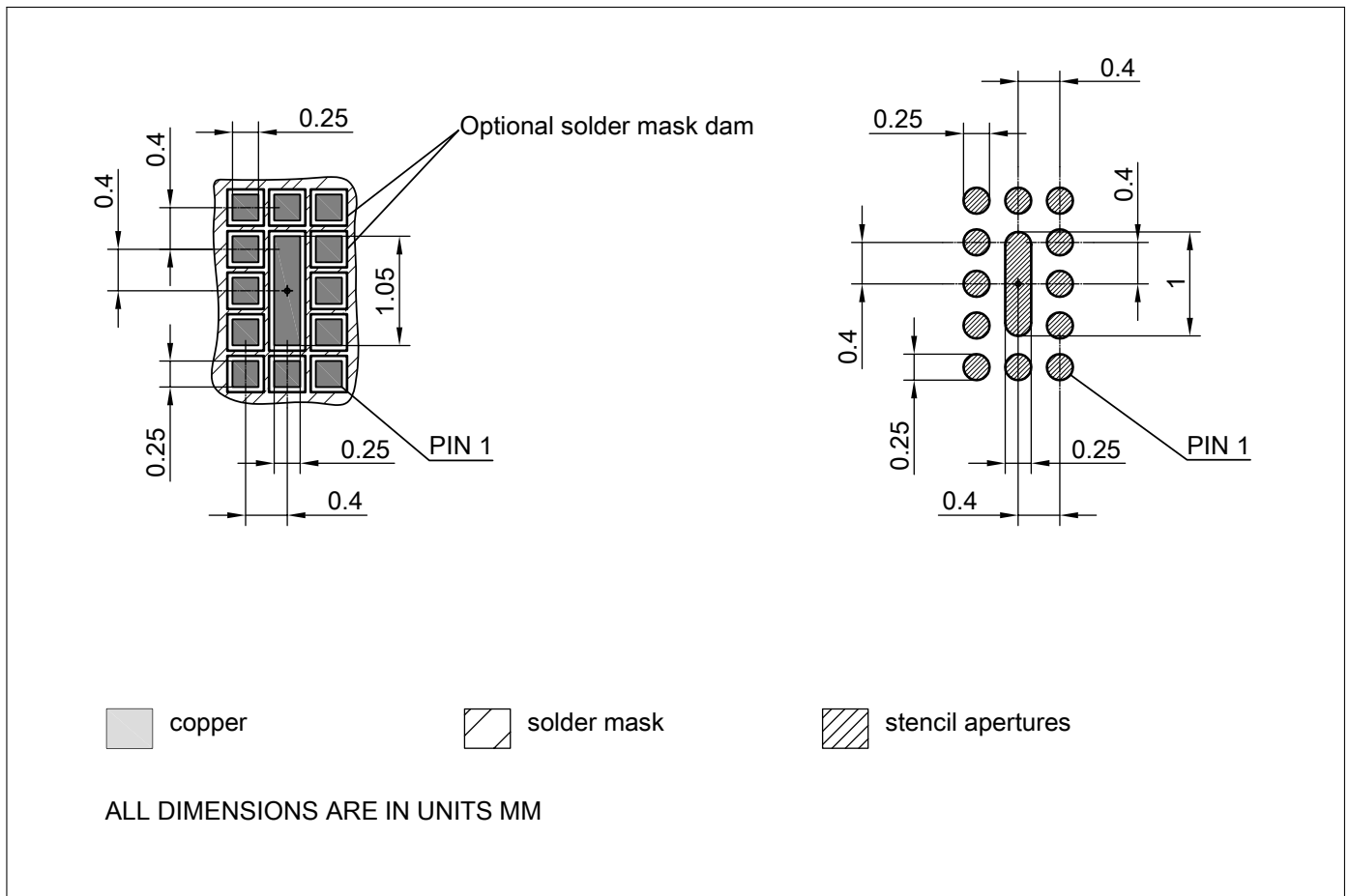
# BGS16MA12

## MIPI 2.0 SP6T switch for LTE diversity, Tx and LAA applications

### Package related information



**Figure 3:** Package Outline Drawing (top, side and bottom views)

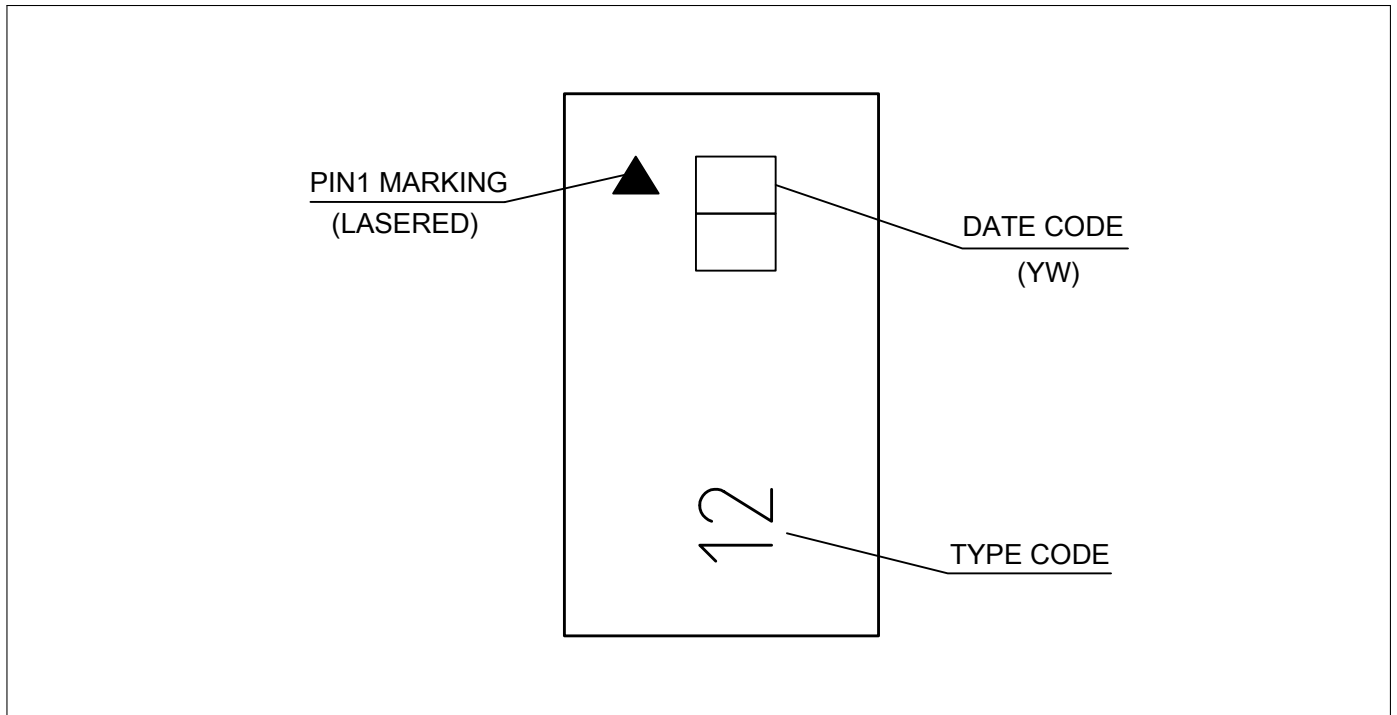


**Figure 4:** Land Pattern Drawing

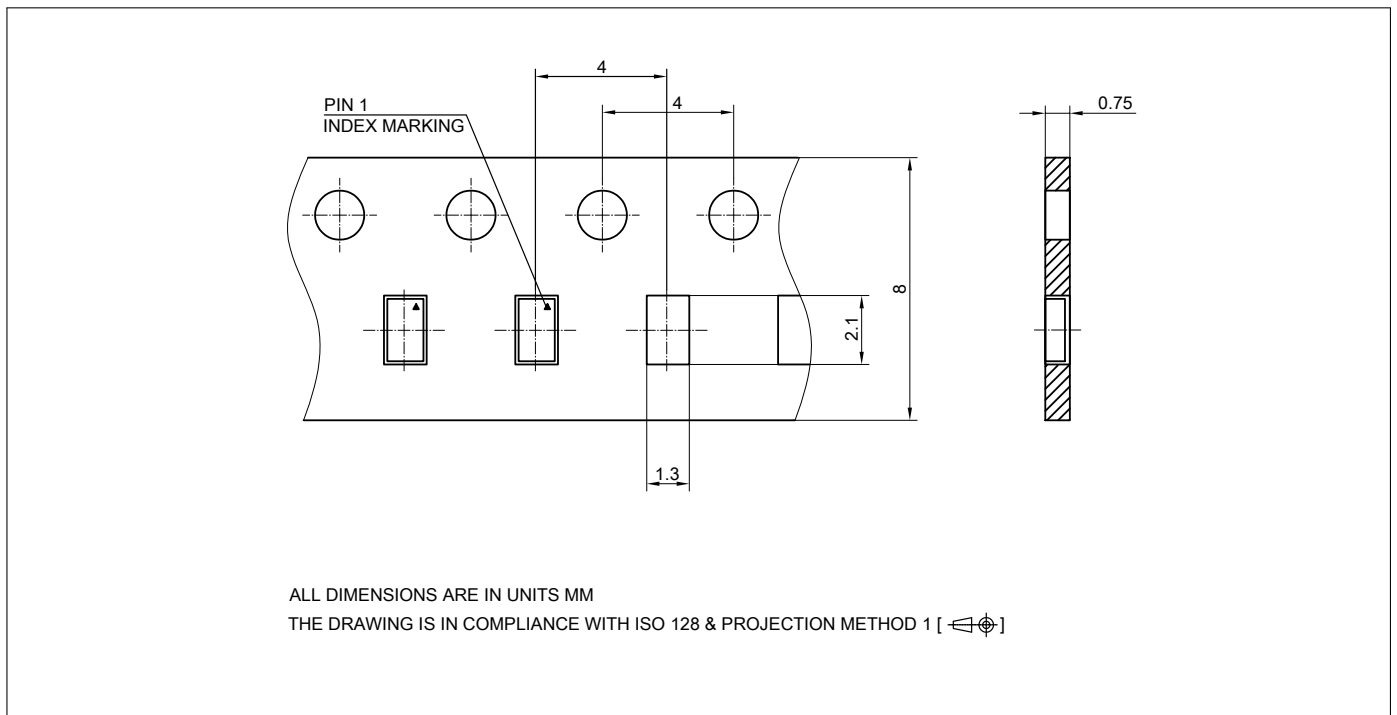
# BGS16MA12

## MIPI 2.0 SP6T switch for LTE diversity, Tx and LAA applications

### Package related information



**Figure 5:** Laser marking



**Figure 6:** Carrier Tape

**Table 16: Year date code marking - digit "Y"**

Year	"Y"	Year	"Y"	Year	"Y"
2000	0	2010	0	2020	0
2001	1	2011	1	2021	1
2002	2	2012	2	2022	2
2003	3	2013	3	2023	3
2004	4	2014	4	2024	4
2005	5	2015	5	2025	5
2006	6	2016	6	2026	6
2007	7	2017	7	2027	7
2008	8	2018	8	2028	8
2009	9	2019	9	2029	9

**Table 17: Week date code marking - digit "W"**

Week	"W"	Week	"W"	Week	"W"	Week	"W"	Week	"W"
1	A	12	N	23	4	34	h	45	v
2	B	13	P	24	5	35	j	46	x
3	C	14	Q	25	6	36	k	47	y
4	D	15	R	26	7	37	l	48	z
5	E	16	S	27	a	38	n	49	8
6	F	17	T	28	b	39	p	50	9
7	G	18	U	29	c	40	q	51	2
8	H	19	V	30	d	41	r	52	3
9	J	20	W	31	e	42	s		
10	K	21	Y	32	f	43	t		
11	L	22	Z	33	g	44	u		

Revision History	
Page or Item	Subjects (major changes since previous revision)
Revision 1.1, 2018-09-10	
	'NDA Required' removed

#### Trademarks

All referenced product or service names and trademarks are the property of their respective owners.

**Edition 2018-09-10**  
**Published by**  
**Infineon Technologies AG**  
**81726 Munich, Germany**

© 2018 Infineon Technologies AG.  
All Rights Reserved.

**Do you have a question about any aspect of this document?**

**Email: [erratum@infineon.com](mailto:erratum@infineon.com)**

#### IMPORTANT NOTICE

The information given in this document shall in no event be regarded as a guarantee of conditions or characteristics ("Beschaffungsgarantie"). With respect to any examples, hints or any typical values stated herein and/or any information regarding the application of the product, Infineon Technologies hereby disclaims any and all warranties and liabilities of any kind, including without limitation warranties of non-infringement of intellectual property rights of any third party. In addition, any information given in this document is subject to customer's compliance with its obligations stated in this document and any applicable legal requirements, norms and standards concerning customer's products and any use of the product of Infineon Technologies in customer's applications. The data contained in this document is exclusively intended for technically trained staff. It is the responsibility of customer's technical departments to evaluate the suitability of the product for the intended application and the completeness of the product information given in this document with respect to such application.

For further information on technology, delivery terms and conditions and prices, please contact the nearest Infineon Technologies Office ([www.infineon.com](http://www.infineon.com)).

#### WARNINGS

Due to technical requirements products may contain dangerous substances. For information on the types in question please contact your nearest Infineon Technologies office.

Except as otherwise explicitly approved by Infineon Technologies in a written document signed by authorized representatives of Infineon Technologies, Infineon Technologies products may not be used in any applications where a failure of the product or any consequences of the use thereof can reasonably be expected to result in personal injury.





Компания «ЭлектроПласт» предлагает заключение долгосрочных отношений при поставках импортных электронных компонентов на взаимовыгодных условиях!

Наши преимущества:

- Оперативные поставки широкого спектра электронных компонентов отечественного и импортного производства напрямую от производителей и с крупнейших мировых складов;
- Поставка более 17-ти миллионов наименований электронных компонентов;
- Поставка сложных, дефицитных, либо снятых с производства позиций;
- Оперативные сроки поставки под заказ (от 5 рабочих дней);
- Экспресс доставка в любую точку России;
- Техническая поддержка проекта, помощь в подборе аналогов, поставка прототипов;
- Система менеджмента качества сертифицирована по Международному стандарту ISO 9001;
- Лицензия ФСБ на осуществление работ с использованием сведений, составляющих государственную тайну;
- Поставка специализированных компонентов (Xilinx, Altera, Analog Devices, Intersil, Interpoint, Microsemi, Aeroflex, Peregrine, Syfer, Eurofarad, Texas Instrument, Miteq, Cobham, E2V, MA-COM, Hittite, Mini-Circuits, General Dynamics и др.);

Помимо этого, одним из направлений компании «ЭлектроПласт» является направление «Источники питания». Мы предлагаем Вам помощь Конструкторского отдела:

- Подбор оптимального решения, техническое обоснование при выборе компонента;
- Подбор аналогов;
- Консультации по применению компонента;
- Поставка образцов и прототипов;
- Техническая поддержка проекта;
- Защита от снятия компонента с производства.



#### Как с нами связаться

**Телефон:** 8 (812) 309 58 32 (многоканальный)

**Факс:** 8 (812) 320-02-42

**Электронная почта:** [org@eplast1.ru](mailto:org@eplast1.ru)

**Адрес:** 198099, г. Санкт-Петербург, ул. Калинина, дом 2, корпус 4, литера А.