

# MC74LCX541

## Low-Voltage CMOS Octal Buffer Flow Through Pinout

### With 5 V-Tolerant Inputs and Outputs (3-State, Non-Inverting)

The MC74LCX541 is a high performance, non-inverting octal buffer operating from a 2.3 to 3.6 V supply. This device is similar in function to the MC74LCX244, while providing flow through architecture. High impedance TTL compatible inputs significantly reduce current loading to input drivers while TTL compatible outputs offer improved switching noise performance. A  $V_I$  specification of 5.5 V allows MC74LCX541 inputs to be safely driven from 5 V devices. The MC74LCX541 is suitable for memory address driving and all TTL level bus oriented transceiver applications.

Current drive capability is 24 mA at the outputs. The Output Enable ( $\overline{OE1}$ ,  $\overline{OE2}$ ) inputs, when HIGH, disables the output by placing them in a HIGH Z condition.

#### Features

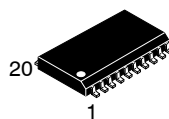
- Designed for 2.3 to 3.6 V  $V_{CC}$  Operation
- 5 V Tolerant – Interface Capability With 5 V TTL Logic
- Supports Live Insertion and Withdrawal
- $I_{OFF}$  Specification Guarantees High Impedance When  $V_{CC} = 0$  V
- LVTTL Compatible
- LVCMOS Compatible
- 24 mA Balanced Output Sink and Source Capability
- Near Zero Static Supply Current in All Three Logic States (10  $\mu$ A) Substantially Reduces System Power Requirements
- Latchup Performance Exceeds 500 mA
- ESD Performance:
  - ◆ Human Body Model >2000 V
  - ◆ Machine Model >200 V
- These Devices are Pb-Free, Halogen Free/BFR Free and are RoHS Compliant



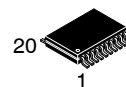
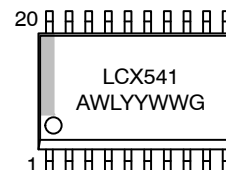
ON Semiconductor®

<http://onsemi.com>

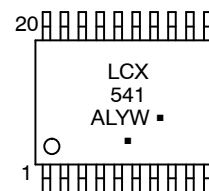
#### MARKING DIAGRAMS



SOIC-20 WB  
DW SUFFIX  
CASE 751D



TSSOP-20  
DT SUFFIX  
CASE 948E



A = Assembly Location  
L, WL = Wafer Lot  
Y, YY = Year  
W, WW = Work Week  
G or ■ = Pb-Free Package

(Note: Microdot may be in either location)

#### ORDERING INFORMATION

See detailed ordering and shipping information in the package dimensions section on page 3 of this data sheet.

# MC74LCX541

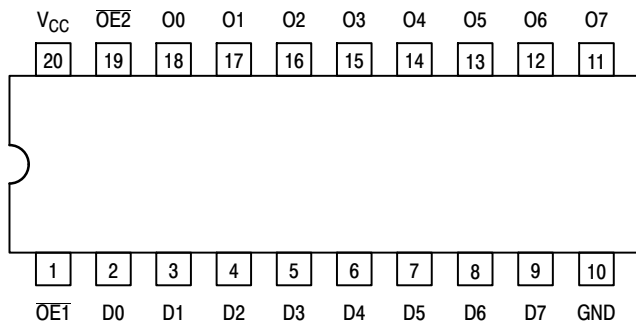


Figure 1. Pinout: 20-Lead (Top View)

## PIN NAMES

| Pins             | Function             |
|------------------|----------------------|
| $\overline{OE}1$ | Output Enable Inputs |
| Dn               | Data Inputs          |
| On               | 3-State Outputs      |

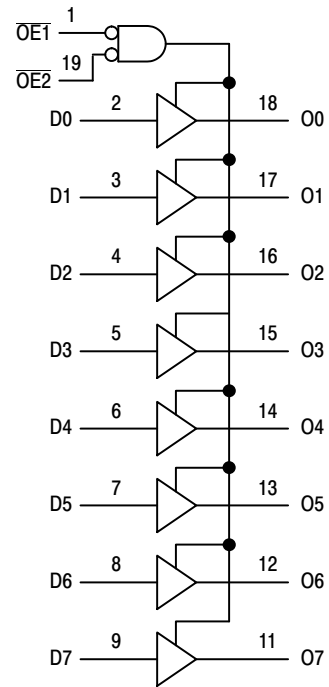


Figure 2. Logic Diagram

## TRUTH TABLE

| Inputs           |                  |    | Outputs |
|------------------|------------------|----|---------|
| $\overline{OE}1$ | $\overline{OE}2$ | Dn | On      |
| L                | L                | L  | L       |
| L                | L                | H  | H       |
| X                | H                | X  | Z       |
| H                | X                | X  | Z       |

H = High Voltage Level; L = Low Voltage Level; Z = High Impedance State;  
 X = High or Low Voltage Level and Transitions are Acceptable, for  $I_{CC}$  reasons,  
 DO NOT FLOAT Inputs

# MC74LCX541

## MAXIMUM RATINGS

| Symbol           | Parameter                        | Value   | Condition                        | Units |
|------------------|----------------------------------|---|----------------------------------|-------|
| V <sub>CC</sub>  | DC Supply Voltage                | -0.5 to +7.0                                  |                                  | V     |
| V <sub>I</sub>   | DC Input Voltage                 | -0.5 ≤ V <sub>I</sub> ≤ +7.0                  |                                  | V     |
| V <sub>O</sub>   | DC Output Voltage                | -0.5 ≤ V <sub>O</sub> ≤ +7.0                  | Output in 3-State                | V     |
|                  |                                  | -0.5 ≤ V <sub>O</sub> ≤ V <sub>CC</sub> + 0.5 | (Note 1)                         | V     |
| I <sub>IK</sub>  | DC Input Diode Current           | -50   | V <sub>I</sub> < GND             | mA    |
| I <sub>OK</sub>  | DC Output Diode Current          | -50   | V <sub>O</sub> < GND             | mA    |
|                  |                                  | +50   | V <sub>O</sub> > V <sub>CC</sub> | mA    |
| I <sub>O</sub>   | DC Output Source/Sink Current    | ±50   |                                  | mA    |
| I <sub>CC</sub>  | DC Supply Current Per Supply Pin | ±100  |                                  | mA    |
| I <sub>GND</sub> | DC Ground Current Per Ground Pin | ±100  |                                  | mA    |
| T <sub>STG</sub> | Storage Temperature Range        | -65 to +150                                   |                                  | °C    |
| MSL              | Moisture Sensitivity             |   | Level 1                          |       |

Maximum ratings are those values beyond which device damage can occur. Maximum ratings applied to the device are individual stress limit values (not normal operating conditions) and are not valid simultaneously. If these limits are exceeded, device functional operation is not implied, damage may occur and reliability may be affected.

1. Output in HIGH or LOW State. I<sub>O</sub> absolute maximum rating must be observed.

## RECOMMENDED OPERATING CONDITIONS

| Symbol          | Parameter  | Min | Typ | Max             | Units |
|-----------------|--|-----|-----|-----------------|-------|
| V <sub>CC</sub> | Supply Voltage<br>Operating<br>Data Retention Only   | 2.0 | 3.3 | 3.6             | V     |
|                 |  | 1.5 | 3.3 | 3.6             |       |
| V <sub>I</sub>  | Input Voltage  | 0   |     | 5.5             | V     |
| V <sub>O</sub>  | Output Voltage<br>(HIGH or LOW State)<br>(3-State)   | 0   |     | V <sub>CC</sub> | V     |
|                 |  | 0   |     | 5.5             |       |
| I <sub>OH</sub> | HIGH Level Output Current, V <sub>CC</sub> = 3.0 V - 3.6 V                                       |     |     | -24             | mA    |
| I <sub>OL</sub> | LOW Level Output Current, V <sub>CC</sub> = 3.0 V - 3.6 V  |     |     | 24              | mA    |
| I <sub>OH</sub> | HIGH Level Output Current, V <sub>CC</sub> = 2.7 V - 3.0 V                                       |     |     | -12             | mA    |
| I <sub>OL</sub> | LOW Level Output Current, V <sub>CC</sub> = 2.7 V - 3.0 V  |     |     | 12              | mA    |
| T <sub>A</sub>  | Operating Free-Air Temperature   | -40 |     | +85             | °C    |
| Δt/ΔV           | Input Transition Rise or Fall Rate, V <sub>IN</sub> from 0.8 V to 2.0 V, V <sub>CC</sub> = 3.0 V | 0   |     | 10              | ns/V  |

## ORDERING INFORMATION

| Device            | Package               | Shipping <sup>†</sup> |
|-------------------|-----------------------|-----------------------|
| MC74LCX541DWR2G   | SOIC-20<br>(Pb-Free)  | 1000 Tape & Reel      |
| NLV74LCX541DWR2G* |                       | 1000 Tape & Reel      |
| MC74LCX541DWG     | SOIC-20<br>(Pb-Free)  | 38 Units / Rail       |
| NLV74LCX541DWG*   |                       | 38 Units / Rail       |
| MC74LCX541DTG     | TSSOP-20<br>(Pb-Free) | 75 Units / Rail       |
| NLV74LCX541DTG*   |                       | 75 Units / Rail       |
| MC74LCX541DTR2G   | TSSOP-20<br>(Pb-Free) | 2500 Tape & Reel      |
| NLV74LCX541DTR2G* |                       | 2500 Tape & Reel      |

<sup>†</sup>For information on tape and reel specifications, including part orientation and tape sizes, please refer to our Tape and Reel Packaging Specifications Brochure, BRD8011/D.

\*NLV Prefix for Automotive and Other Applications Requiring Unique Site and Control Change Requirements; AEC-Q100 Qualified and PPAP Capable.

# MC74LCX541

## DC ELECTRICAL CHARACTERISTICS

| Symbol           | Characteristic                        | Condition   | T <sub>A</sub> = -40°C to +85°C |      | Units |
|------------------|---------------------------------------|---|---------------------------------|------|-------|
|                  |                                       |   | Min                             | Max  |       |
| V <sub>IH</sub>  | HIGH Level Input Voltage (Note 2)     | 2.7 V ≤ V <sub>CC</sub> ≤ 3.6 V   | 2.0                             |      | V     |
| V <sub>IL</sub>  | LOW Level Input Voltage (Note 2)      | 2.7 V ≤ V <sub>CC</sub> ≤ 3.6 V   |                                 | 0.8  | V     |
| V <sub>OH</sub>  | HIGH Level Output Voltage             | 2.7 V ≤ V <sub>CC</sub> ≤ 3.6 V; I <sub>OH</sub> = -100 μA  | V <sub>CC</sub> - 0.2           |      | V     |
|                  |                                       | V <sub>CC</sub> = 2.7 V; I <sub>OH</sub> = -12 mA   | 2.2                             |      |       |
|                  |                                       | V <sub>CC</sub> = 3.0 V; I <sub>OH</sub> = -18 mA   | 2.4                             |      |       |
|                  |                                       | V <sub>CC</sub> = 3.0 V; I <sub>OH</sub> = -24 mA   | 2.2                             |      |       |
| V <sub>OL</sub>  | LOW Level Output Voltage              | 2.7 V ≤ V <sub>CC</sub> ≤ 3.6 V; I <sub>OL</sub> = 100 μA   |                                 | 0.2  | V     |
|                  |                                       | V <sub>CC</sub> = 2.7 V; I <sub>OL</sub> = 12 mA  |                                 | 0.4  |       |
|                  |                                       | V <sub>CC</sub> = 3.0 V; I <sub>OL</sub> = 16 mA  |                                 | 0.4  |       |
|                  |                                       | V <sub>CC</sub> = 3.0 V; I <sub>OL</sub> = 24 mA  |                                 | 0.55 |       |
| I <sub>OZ</sub>  | 3-State Output Current                | V <sub>CC</sub> = 3.6 V, V <sub>IN</sub> = V <sub>IH</sub> or V <sub>IL</sub> , V <sub>OUT</sub> = 0 to 5.5 V |                                 | ±5   | μA    |
| I <sub>OFF</sub> | Power Off Leakage Current             | V <sub>CC</sub> = 0, V <sub>IN</sub> = 5.5 V or V <sub>OUT</sub> = 5.5 V                                      |                                 | 10   | μA    |
| I <sub>IN</sub>  | Input Leakage Current                 | V <sub>CC</sub> = 3.6 V, V <sub>IN</sub> = 5.5 V or GND   |                                 | ±5   | μA    |
| I <sub>CC</sub>  | Quiescent Supply Current              | V <sub>CC</sub> = 3.6 V, V <sub>IN</sub> = 5.5 V or GND   |                                 | 10   | μA    |
| ΔI <sub>CC</sub> | Increase in I <sub>CC</sub> per Input | 2.3 ≤ V <sub>CC</sub> ≤ 3.6 V; V <sub>IH</sub> = V <sub>CC</sub> - 0.6 V                                      |                                 | 500  | μA    |

2. These values of V<sub>I</sub> are used to test DC electrical characteristics only.

## AC ELECTRICAL CHARACTERISTICS (t<sub>R</sub> = t<sub>F</sub> = 2.5 ns; C<sub>L</sub> = 50 pF; R<sub>L</sub> = 500 Ω)

| Symbol                                 | Parameter                                      | Waveform | Limits                           |            |                         | Units |
|--|--|----------|----------------------------------|------------|-------------------------|-------|
|  |  |          | T <sub>A</sub> = -40°C to +85°C  |            |                         |       |
|  |  |          | V <sub>CC</sub> = 3.0 V to 3.6 V |            | V <sub>CC</sub> = 2.7 V |       |
|  |  |          | Min                              | Max        | Max                     |       |
| t <sub>PLH</sub><br>t <sub>PHL</sub>   | Propagation Delay<br>Input to Output           | 1        | 1.5<br>1.5                       | 6.5<br>6.5 | 7.5<br>7.5              | ns    |
| t <sub>PZH</sub><br>t <sub>PZL</sub>   | Output Enable Time to<br>High and Low Level    | 2        | 1.5<br>1.5                       | 8.5<br>8.5 | 9.5<br>9.5              | ns    |
| t <sub>PHZ</sub><br>t <sub>PLZ</sub>   | Output Disable Time From<br>High and Low Level | 2        | 1.5<br>1.5                       | 7.5<br>7.5 | 8.5<br>8.5              | ns    |
| t <sub>OSHL</sub><br>t <sub>OSLH</sub> | Output-to-Output Skew (Note 3)                 |          |                                  | 1.0<br>1.0 |                         | ns    |

3. Skew is defined as the absolute value of the difference between the actual propagation delay for any two separate outputs of the same device. The specification applies to any outputs switching in the same direction, either HIGH-to-LOW (t<sub>OSHL</sub>) or LOW-to-HIGH (t<sub>OSLH</sub>); parameter guaranteed by design.

## DYNAMIC SWITCHING CHARACTERISTICS

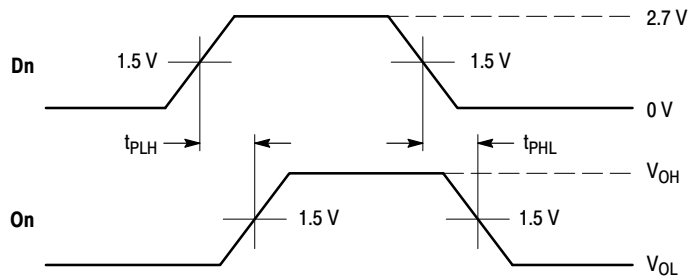
| Symbol           | Characteristic                      | Condition   | T <sub>A</sub> = +25°C |     |     | Units |
|------------------|-------------------------------------|---|------------------------|-----|-----|-------|
|                  |                                     |   | Min                    | Typ | Max |       |
| V <sub>OLP</sub> | Dynamic LOW Peak Voltage (Note 4)   | V <sub>CC</sub> = 3.3 V, C <sub>L</sub> = 50 pF, V <sub>IH</sub> = 3.3 V, V <sub>IL</sub> = 0 V |                        | 0.8 |     | V     |
| V <sub>OLV</sub> | Dynamic LOW Valley Voltage (Note 4) | V <sub>CC</sub> = 3.3 V, C <sub>L</sub> = 50 pF, V <sub>IH</sub> = 3.3 V, V <sub>IL</sub> = 0 V |                        | 0.8 |     | V     |

4. Number of outputs defined as "n". Measured with "n-1" outputs switching from HIGH-to-LOW or LOW-to-HIGH. The remaining output is measured in the LOW state.

## CAPACITIVE CHARACTERISTICS

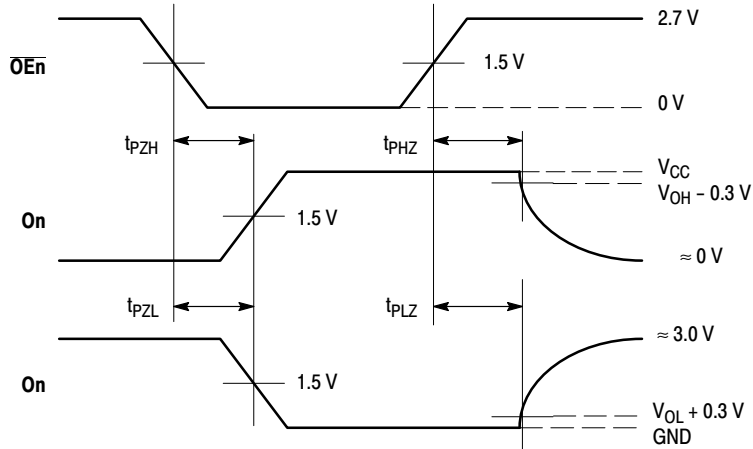
| Symbol           | Parameter                     | Condition  | Typical | Units |
|------------------|-------------------------------|--|---------|-------|
| C <sub>IN</sub>  | Input Capacitance             | V <sub>CC</sub> = 3.3 V, V <sub>I</sub> = 0 V or V <sub>CC</sub>         | 7       | pF    |
| C <sub>OUT</sub> | Output Capacitance            | V <sub>CC</sub> = 3.3 V, V <sub>I</sub> = 0 V or V <sub>CC</sub>         | 8       | pF    |
| C <sub>PD</sub>  | Power Dissipation Capacitance | 10 MHz, V <sub>CC</sub> = 3.3 V, V <sub>I</sub> = 0 V or V <sub>CC</sub> | 25      | pF    |

# MC74LCX541



**WAVEFORM 1 - PROPAGATION DELAYS**

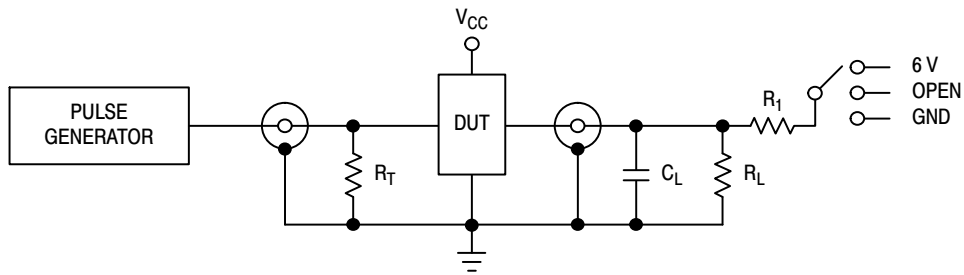
$t_R = t_F = 2.5 \text{ ns}$ , 10% to 90%;  $f = 1 \text{ MHz}$ ;  $t_W = 500 \text{ ns}$



**WAVEFORM 2 - OUTPUT ENABLE AND DISABLE TIMES**

$t_R = t_F = 2.5 \text{ ns}$ , 10% to 90%;  $f = 1 \text{ MHz}$ ;  $t_W = 500 \text{ ns}$

**Figure 3. AC Waveforms**



| Test   | Switch |
|--|--------|
| $t_{PLH}$ , $t_{PHL}$                        | Open   |
| $t_{PZL}$ , $t_{PLZ}$                        | 6 V    |
| Open Collector/Drain $t_{PLH}$ and $t_{PHL}$ | 6 V    |
| $t_{PZH}$ , $t_{PHZ}$                        | GND    |

$C_L = 50 \text{ pF}$  or equivalent (Includes jig and probe capacitance)

$R_L = R_1 = 500 \Omega$  or equivalent

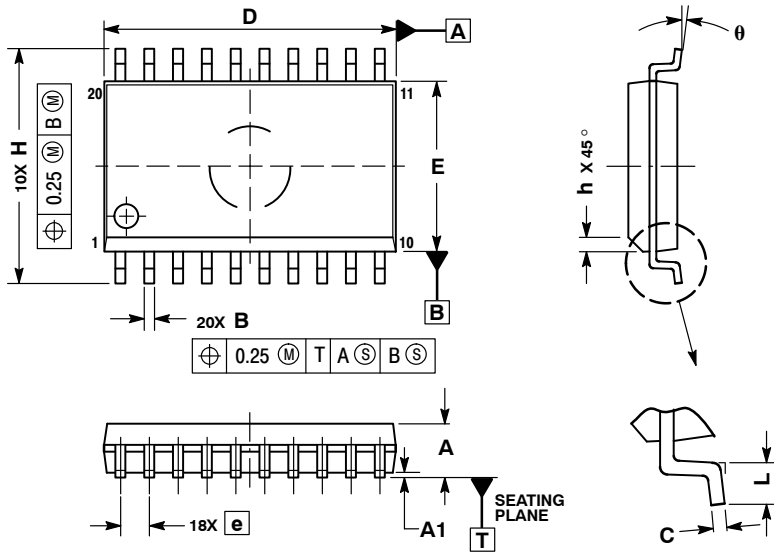
$R_T = Z_{OUT}$  of pulse generator (typically  $50 \Omega$ )

**Figure 4. Test Circuit**

# MC74LCX541

## PACKAGE DIMENSIONS

SOIC-20 WB  
CASE 751D-05  
ISSUE G



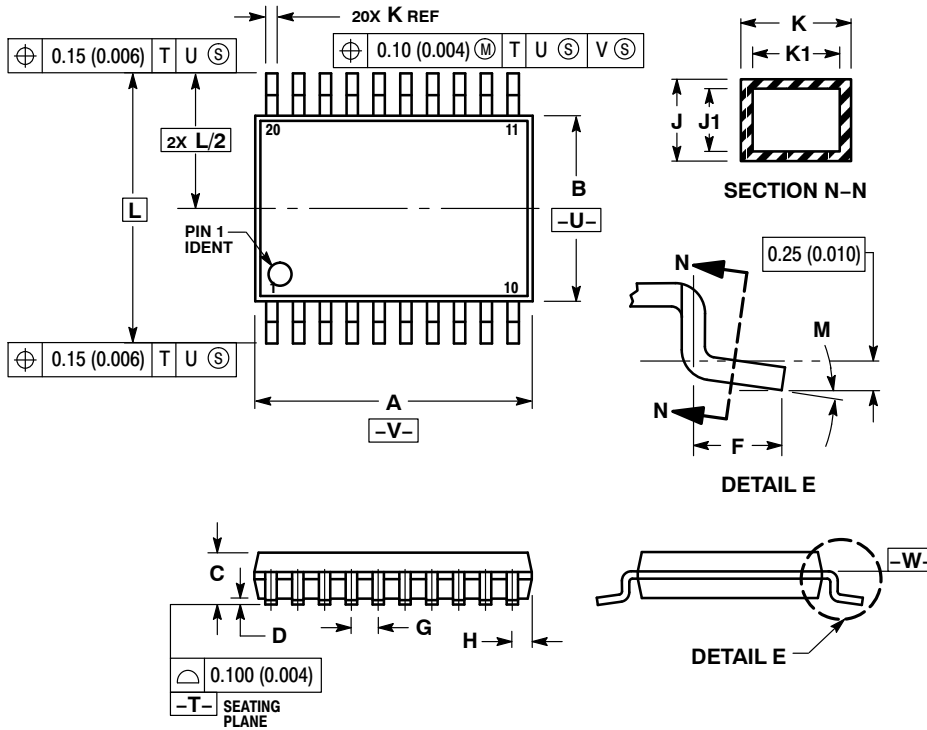
- NOTES:
1. DIMENSIONS ARE IN MILLIMETERS.
  2. INTERPRET DIMENSIONS AND TOLERANCES PER ASME Y14.5M, 1994.
  3. DIMENSIONS D AND E DO NOT INCLUDE MOLD PROTRUSION.
  4. MAXIMUM MOLD PROTRUSION 0.15 PER SIDE.
  5. DIMENSION B DOES NOT INCLUDE DAMBAR PROTRUSION. ALLOWABLE PROTRUSION SHALL BE 0.13 TOTAL IN EXCESS OF B DIMENSION AT MAXIMUM MATERIAL CONDITION.

| DIM | MILLIMETERS |       |
|-----|-------------|-------|
|     | MIN         | MAX   |
| A   | 2.35        | 2.65  |
| A1  | 0.10        | 0.25  |
| B   | 0.35        | 0.49  |
| C   | 0.23        | 0.32  |
| D   | 12.65       | 12.95 |
| E   | 7.40        | 7.60  |
| e   | 1.27 BSC    |       |
| H   | 10.05       | 10.55 |
| h   | 0.25        | 0.75  |
| L   | 0.50        | 0.90  |
| θ   | 0°          | 7°    |

# MC74LCX541

## PACKAGE DIMENSIONS

TSSOP-20  
CASE 948E-02  
ISSUE C

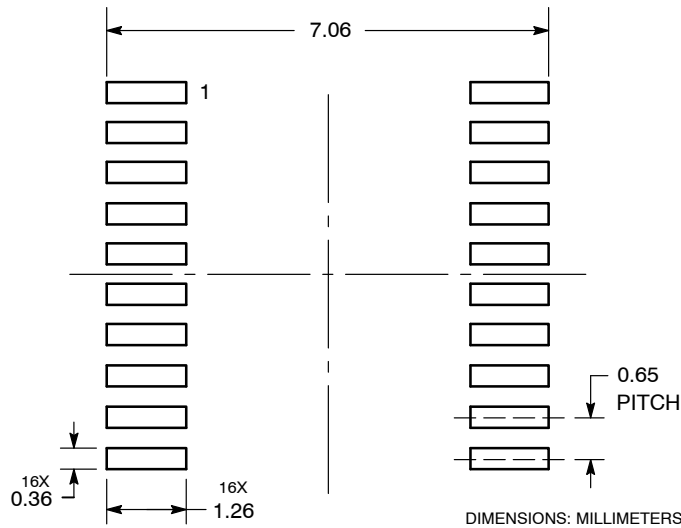


**NOTES:**


1. DIMENSIONING AND TOLERANCING PER ANSI Y14.5M, 1982.
2. CONTROLLING DIMENSION: MILLIMETER.
3. DIMENSION A DOES NOT INCLUDE MOLD FLASH, PROTRUSIONS OR GATE BURRS. MOLD FLASH OR GATE BURRS SHALL NOT EXCEED 0.15 (0.006) PER SIDE.
4. DIMENSION B DOES NOT INCLUDE INTERLEAD FLASH OR PROTRUSION. INTERLEAD FLASH OR PROTRUSION SHALL NOT EXCEED 0.25 (0.010) PER SIDE.
5. DIMENSION K DOES NOT INCLUDE DAMBAR PROTRUSION. ALLOWABLE DAMBAR PROTRUSION SHALL BE 0.08 (0.003) TOTAL IN EXCESS OF THE K DIMENSION AT MAXIMUM MATERIAL CONDITION.
6. TERMINAL NUMBERS ARE SHOWN FOR REFERENCE ONLY.
7. DIMENSION A AND B ARE TO BE DETERMINED AT DATUM PLANE -W-.

| DIM | MILLIMETERS |      | INCHES    |       |
|-----|-------------|------|-----------|-------|
|     | MIN         | MAX  | MIN       | MAX   |
| A   | 6.40        | 6.60 | 0.252     | 0.260 |
| B   | 4.30        | 4.50 | 0.169     | 0.177 |
| C   | ---         | 1.20 | ---       | 0.047 |
| D   | 0.05        | 0.15 | 0.002     | 0.006 |
| F   | 0.50        | 0.75 | 0.020     | 0.030 |
| G   | 0.65 BSC    |      | 0.026 BSC |       |
| H   | 0.27        | 0.37 | 0.011     | 0.015 |
| J   | 0.09        | 0.20 | 0.004     | 0.008 |
| J1  | 0.09        | 0.16 | 0.004     | 0.006 |
| K   | 0.19        | 0.30 | 0.007     | 0.012 |
| K1  | 0.19        | 0.25 | 0.007     | 0.010 |
| L   | 6.40 BSC    |      | 0.252 BSC |       |
| M   | 0°          | 8°   | 0°        | 8°    |

### SOLDERING FOOTPRINT



# MC74LCX541

**ON Semiconductor** and  are registered trademarks of Semiconductor Components Industries, LLC (SCILLC). SCILLC owns the rights to a number of patents, trademarks, copyrights, trade secrets, and other intellectual property. A listing of SCILLC's product/patent coverage may be accessed at [www.onsemi.com/site/pdf/Patent-Marking.pdf](http://www.onsemi.com/site/pdf/Patent-Marking.pdf). SCILLC reserves the right to make changes without further notice to any products herein. SCILLC makes no warranty, representation or guarantee regarding the suitability of its products for any particular purpose, nor does SCILLC assume any liability arising out of the application or use of any product or circuit, and specifically disclaims any and all liability, including without limitation special, consequential or incidental damages. "Typical" parameters which may be provided in SCILLC data sheets and/or specifications can and do vary in different applications and actual performance may vary over time. All operating parameters, including "Typicals" must be validated for each customer application by customer's technical experts. SCILLC does not convey any license under its patent rights nor the rights of others. SCILLC products are not designed, intended, or authorized for use as components in systems intended for surgical implant into the body, or other applications intended to support or sustain life, or for any other application in which the failure of the SCILLC product could create a situation where personal injury or death may occur. Should Buyer purchase or use SCILLC products for any such unintended or unauthorized application, Buyer shall indemnify and hold SCILLC and its officers, employees, subsidiaries, affiliates, and distributors harmless against all claims, costs, damages, and expenses, and reasonable attorney fees arising out of, directly or indirectly, any claim of personal injury or death associated with such unintended or unauthorized use, even if such claim alleges that SCILLC was negligent regarding the design or manufacture of the part. SCILLC is an Equal Opportunity/Affirmative Action Employer. This literature is subject to all applicable copyright laws and is not for resale in any manner.

## PUBLICATION ORDERING INFORMATION

### LITERATURE FULFILLMENT:

Literature Distribution Center for ON Semiconductor  
P.O. Box 5163, Denver, Colorado 80217 USA  
**Phone:** 303-675-2175 or 800-344-3860 Toll Free USA/Canada  
**Fax:** 303-675-2176 or 800-344-3867 Toll Free USA/Canada  
**Email:** [orderlit@onsemi.com](mailto:orderlit@onsemi.com)

**N. American Technical Support:** 800-282-9855 Toll Free  
USA/Canada  
**Europe, Middle East and Africa Technical Support:**  
Phone: 421 33 790 2910  
**Japan Customer Focus Center**  
Phone: 81-3-5817-1050

**ON Semiconductor Website:** [www.onsemi.com](http://www.onsemi.com)  
**Order Literature:** <http://www.onsemi.com/orderlit>  
For additional information, please contact your local  
Sales Representative





Компания «ЭлектроПласт» предлагает заключение долгосрочных отношений при поставках импортных электронных компонентов на взаимовыгодных условиях!

Наши преимущества:

- Оперативные поставки широкого спектра электронных компонентов отечественного и импортного производства напрямую от производителей и с крупнейших мировых складов;
- Поставка более 17-ти миллионов наименований электронных компонентов;
- Поставка сложных, дефицитных, либо снятых с производства позиций;
- Оперативные сроки поставки под заказ (от 5 рабочих дней);
- Экспресс доставка в любую точку России;
- Техническая поддержка проекта, помощь в подборе аналогов, поставка прототипов;
- Система менеджмента качества сертифицирована по Международному стандарту ISO 9001;
- Лицензия ФСБ на осуществление работ с использованием сведений, составляющих государственную тайну;
- Поставка специализированных компонентов (Xilinx, Altera, Analog Devices, Intersil, Interpoint, Microsemi, Aeroflex, Peregrine, Syfer, Eurofarad, Texas Instrument, Miteq, Cobham, E2V, MA-COM, Hittite, Mini-Circuits, General Dynamics и др.);

Помимо этого, одним из направлений компании «ЭлектроПласт» является направление «Источники питания». Мы предлагаем Вам помощь Конструкторского отдела:

- Подбор оптимального решения, техническое обоснование при выборе компонента;
- Подбор аналогов;
- Консультации по применению компонента;
- Поставка образцов и прототипов;
- Техническая поддержка проекта;
- Защита от снятия компонента с производства.



#### Как с нами связаться

**Телефон:** 8 (812) 309 58 32 (многоканальный)

**Факс:** 8 (812) 320-02-42

**Электронная почта:** [org@eplast1.ru](mailto:org@eplast1.ru)

**Адрес:** 198099, г. Санкт-Петербург, ул. Калинина, дом 2, корпус 4, литера А.