

# 1SP0635x2xx-12

## Preliminary Data Sheet

Compact, high-performance, plug-and-play single-channel IGBT driver based on SCALE™-2 technology for individual and parallel-connected modules in 2-level, 3-level and multilevel converter topologies

### Abstract

The SCALE™-2 plug-and-play driver 1SP0635x2xx-12 is a compact single-channel intelligent gate driver designed for 1200V 130x140mm and 190x140mm IGBT modules. The master driver 1SP0635x2Mx-12 features a fiber-optic interface with a built-in isolated DC/DC power supply. It can be used as stand-alone driver or in conjunction with up to three 1SP0635D2Sx-12 slaves to drive up to four parallel-connected IGBT modules.

**The turn-on and turn-off gate resistors as well as the auxiliary gate capacitor are not assembled in order to provide maximum flexibility. They must be assembled by the user before start of operation.** Please refer to the paragraph on "Gate Resistor Assembly" for the recommended values.

For drivers adapted to other types of high-power and high-voltage IGBT modules, refer to:

[www.IGBT-Driver.com/go/plug-and-play](http://www.IGBT-Driver.com/go/plug-and-play)

### Features

- ✓ Plug-and-play solution
- ✓ Allows parallel connection of IGBT modules
- ✓ For 2-level, 3-level and multilevel topologies
- ✓ Built-in isolated DC/DC power supply (master)
- ✓ Fiber-optic links (master)
- ✓ Built-in interface to 1SP0635D2Sx (slave)
- ✓ Duty cycle 0...100%
- ✓ Dynamic Advanced Active Clamping DA<sup>2</sup>C
- ✓ Dynamic IGBT short-circuit protection
- ✓ Monitoring of supply voltage
- ✓ Monitoring of gate voltage
- ✓ Extremely reliable; long service life
- ✓ Shortens application development time
- ✓ Suitable for 1200V 130x140mm and 190x140mm IGBT modules

### Applications

- ✓ Traction
- ✓ Railroad power supplies
- ✓ Light rail vehicles
- ✓ HVDC
- ✓ Flexible AC transmission systems (FACTS)
- ✓ Medium-voltage converters
- ✓ Industrial drives
- ✓ Wind-power converters
- ✓ Medical applications
- ✓ Research
- ✓ And many others

## Preliminary Data Sheet

### Safety Notice!

The data contained in this data sheet is intended exclusively for technically trained staff. Handling all high-voltage equipment involves risk to life. Strict compliance with the respective safety regulations is mandatory!

Any handling of electronic devices is subject to the general specifications for protecting electrostatic-sensitive devices according to international standard IEC 60747-1, Chapter IX or European standard EN 100015 (i.e. the workplace, tools, etc. must comply with these standards). Otherwise, this product may be damaged.

### Important Product Documentation

This data sheet contains only product-specific data. For a detailed description, must-read application notes and common data that apply to the whole series, please refer to the "Description & Application Manual for 1SP0635 SCALE-2 IGBT Drivers" on [www.IGBT-Driver.com/go/1SP0635](http://www.IGBT-Driver.com/go/1SP0635).

The gate resistors as well as the auxiliary gate capacitor on this gate driver are not assembled in order to provide maximum flexibility. For the values required for specific IGBT modules, refer to the paragraph on "Gate Resistor Assembly". Use of gate resistors and gate auxiliary capacitors other than those specified may result in failure.

### Mechanical Dimensions

Dimensions: See the relevant "Description and Application Manual"

Mounting principle: Connected to IGBT module with screws

### Fiber-Optic Interfaces (1SP0635x2Mx)

Interface	Remarks	Part type #
Drive signal input	1SP0635V, fiber-optic receiver (Notes 1, 2)	HFBR-2522Z
Drive signal input	1SP0635S, fiber-optic receiver (Notes 1, 2)	HFBR-2412Z
Status output	1SP0635V, fiber-optic transmitter (Notes 1, 3)	HFBR-1522Z
Status output	1SP0635S, fiber-optic transmitter (Notes 1, 3)	HFBR-1412Z

### Electrical Connectors

Interface	Remarks	Part type #
Power supply connector X1	1SP0635x2Mx, on-board connector (Note 4)	214012
Bus connectors X2 and X3	On-board connectors (Note 5)	214013

## Preliminary Data Sheet

### Absolute Maximum Ratings

Parameter	Remarks	Min	Max	Unit
Supply voltage $V_{DC}$	VDC to GND (1SP0635x2Mx)	0	16	V
Average supply current $I_{DC}$	1SP0635x2Mx only (Note 6)		400	mA
Average supply current $I_{DC}$	1SP0635x2Mx with three 1SP0635D2Sx (Note 6)		1130	mA
Gate output power	1SP0635x2Mx, $T_a < 70^\circ\text{C}$ (Note 7)		3	W
	1SP0635x2Mx, $T_a = 85^\circ\text{C}$ (Note 7)		2.2	W
Gate output power	1SP0635D2Sx, $T_a < 70^\circ\text{C}$ (Note 8)		2.6	W
	1SP0635D2Sx, $T_a = 85^\circ\text{C}$ (Note 8)		2	W
Switching frequency F	1SP0635x2Mx, $T_a < 70^\circ\text{C}$ (Note 31)		n.d.	kHz
	1SP0635x2Mx, $T_a = 85^\circ\text{C}$ (Note 31)		n.d.	kHz
Switching frequency F	1SP0635D2Sx, $T_a < 70^\circ\text{C}$ (Note 31)		n.d.	kHz
	1SP0635D2Sx, $T_a = 85^\circ\text{C}$ (Note 31)		n.d.	kHz
Gate peak current $I_{out}$	Note 9	-35	+35	A
Test voltage (50Hz/1min.)	1SP0635x2Mx, primary to secondary (Note 10)		4000	$V_{AC(eff)}$
DC-link voltage	Switching operation (Note 11)		800	V
	Off state (Note 12)		950	V
Operating voltage	Primary to secondary side		1200	$V_{peak}$
Max. emitter-emitter voltage	Between parallel connected drivers (Note 13)		200	$V_{peak}$
dV/dt	Between parallel connected drivers (Note 14)		50	kV/ $\mu\text{s}$
Max. interface current	X2 and X3, total RMS value (Note 15)		4	$A_{rms}$
	X2 and X3, total peak value (Note 15)		20	$A_{peak}$
Operating temperature		-40	+85	$^\circ\text{C}$
Storage temperature		-40	+90	$^\circ\text{C}$

### Recommended Operating Conditions

Power Supply	Remarks	Min	Typ	Max	Unit
Supply voltage $V_{DC}$	To GND	14.5	15	15.5	V

## Preliminary Data Sheet

### Electrical Characteristics

All data refer to +25°C and  $V_{DC} = 15V$  unless otherwise specified

Power Supply	Remarks	Min	Typ	Max	Unit
Supply current $I_{DC}$	Without load, only 1SP0635x2Mx		120		mA
	Without load, per additional 1SP0635D2Sx		35		mA
Coupling capacitance $C_{io}$	1SP0635x2Mx, DC/DC converter		15		pF
Power Supply Monitoring	Remarks	Min	Typ	Max	Unit
Supply threshold $V_{iso}-V_{ee}$	Secondary side, clear fault	12.1	12.6	13.1	V
	Secondary side, set fault (Note 16)	11.5	12.0	12.5	V
Monitoring hysteresis	Secondary side, set/clear fault	0.35			V
Supply threshold $V_{ee}-V_{COM}$	Secondary side, clear fault	5	5.15	5.3	V
	Secondary side, set fault (Note 16)	4.7	4.85	5	V
Monitoring hysteresis	Secondary side, set/clear fault	0.15			V
Bus to 1SP0635D2Sx	Remarks	Min	Typ	Max	Unit
Supply voltage	Without load		25		V
	With three slaves, full load		24		V
Turn-off command	To COM		0		V
Turn-on command	To COM		15		V
Gate Monitoring	Remarks	Min	Typ	Max	Unit
Turn-on threshold $V_{GE,on,min}$	$G_{mean}$ to E, set fault (Note 17)		12.9		V
Turn-off threshold $V_{GE,off,max}$	$G_{mean}$ to E, set fault (Note 17)		-7.6		V
Filter delay	Note 17		28		µs
Short-circuit Protection	Remarks	Min	Typ	Max	Unit
Static Vce-monitoring threshold Response time	Between auxiliary terminals (Note 18)		10.2		V
	DC-link voltage = 800V (Note 19)		7.5		µs
	DC-link voltage = 600V (Note 19)		7.6		µs
	DC-link voltage = 400V (Note 19)		8.4		µs
	DC-link voltage = 300V (Note 19)		9.9		µs
Delay to IGBT turn-off	After the response time (Note 20)		0.3		µs
Timing Characteristics	Remarks	Min	Typ	Max	Unit
Turn-on delay $t_{d(on)}$	Note 21		190		ns
Turn-off delay $t_{d(off)}$	Note 21		185		ns

## Preliminary Data Sheet

Timing Characteristics	Remarks	Min	Typ	Max	Unit
Output rise time $t_{r(out)}$	G to E (Note 22)		9		ns
Output fall time $t_{f(out)}$	G to E (Note 22)		30		ns
Timing Characteristics	Remarks	Min	Typ	Max	Unit
Transmission delay of fault state	Note 23		90		ns
Delay to clear fault state	After IGBT short circuit (Note 24)		9		$\mu$ s
	After gate-monitoring fault (Notes 24, 30)		1		$\mu$ s
Acknowledge delay time	Note 25		250		ns
Acknowledge pulse width	On host side	400	700	1050	ns
Gate Output	Remarks	Min	Typ	Max	Unit
Turn-on gate resistor $R_{g(on)}$	Note 26		not assembled		$\Omega$
Turn-off gate resistor $R_{g(off)}$	Note 26		not assembled		$\Omega$
Auxiliary gate capacitor $C_{ge}$	Note 26		not assembled		nF
Gate voltage at turn-on	Note 27		15		V
Gate-voltage at turn-off	Without load (Note 27)		-10.1		V
	$P_{DC/DC} = 3W$ (Note 27)		-9.8		V
	$P_{DC/DC} = 6W$ (Note 27)		-9.5		V
	$P_{DC/DC} = 12W$ (Note 27)		-9		V
Electrical Isolation	Remarks	Min	Typ	Max	Unit
Test voltage (50Hz/1s)	Primary to secondary side (Note 10)	4000	4050	4100	$V_{AC(eff)}$
Partial discharge extinction volt.	Primary to secondary side (Note 28)	1320			$V_{peak}$
Creepage distance	Primary to secondary side (Note 29)	21			mm
	Primary to IGBT main emitter terminal	20			mm
Clearance distance	Primary to secondary side (Note 29)	21			mm
	Primary to IGBT main emitter terminal	13			mm

### Footnotes to the Key Data

- 1) The transceivers required on the host controller side are not supplied with the gate driver. It is recommended to use the same types as used in the gate driver. For product information refer to [www.IGBT-Driver.com/go/fiberoptics](http://www.IGBT-Driver.com/go/fiberoptics)
- 2) The recommended transmitter current at the host controller is 20mA. A higher current may increase jitter or delay at turn-off.
- 3) The typical transmitter current at the gate driver is 18mA. In case of supply undervoltage, the minimum transmitter current at the gate driver is 12mA: this is suitable for adequate plastic optical fibers with a length of more than 10 meters.
- 4) This refers to the manufacturer ordering number, see [www.igbt-driver.com/go/ext\\_erni](http://www.igbt-driver.com/go/ext_erni). The customer-side connector as well as cables with different lengths can be supplied by CONCEPT. Refer to the "Description & Application Manual for 1SP0635 SCALE-2 IGBT Drivers" for more information.
- 5) This refers to the manufacturer ordering number, see [www.igbt-driver.com/go/ext\\_erni](http://www.igbt-driver.com/go/ext_erni). These connectors are to be used to connect 1SP0635x2Mx (master) or 1SP0635D2Sx (slave) to 1SP0635D2Sx (slave) if parallel connection of IGBT modules is required. Cables with different lengths

## Preliminary Data Sheet

- can be supplied by CONCEPT. Refer to the "Description & Application Manual for 1SP0635 SCALE-2 IGBT Drivers" for more information.
- 6) If the specified value is exceeded, this indicates a driver overload. It should be noted that the driver is not protected against overload.
  - 7) The given power can only be fully exploited without slaves 1SP0635D2Sx (no parallel connection of IGBT modules). If the specified value is exceeded, this indicates a driver overload. It should be noted that the driver is not protected against overload. From 70°C to 85°C, the maximum permissible output power can be linearly interpolated from the given data.
  - 8) The given power can be fully exploited with slaves 1SP0635D2Sx (parallel connection of IGBT modules). If the specified value is exceeded, this indicates a driver overload. It should be noted that the driver is not protected against overload. From 70°C to 85°C, the maximum permissible output power can be linearly interpolated from the given data. Note that the DC/DC converter on the master 1SP0635x2Mx is dimensioned to supply the master as well as three connected slaves 1SP0635D2Sx at full load.
  - 9) The gate current is limited by the gate resistors located on the driver.
  - 10) HiPot testing (= dielectric testing) must generally be restricted to suitable components. This gate driver is suited for HiPot testing. Nevertheless, it is strongly recommended to limit the testing time to 1s slots. Excessive HiPot testing may lead to insulation degradation.
  - 11) This limit is due to active clamping under switching conditions. Refer to the "Description & Application Manual for 1SP0635 SCALE-2 IGBT Drivers".
  - 12) Due to the Dynamic Active Advanced Clamping Function (DA<sup>2</sup>C) implemented on the driver, the DC-link voltage can be increased in the off-state condition (e.g. after emergency shut-down). This value is only valid when the IGBTs are in the off state (not switching). The time during which the voltage can be applied should be limited to short periods (< 60 seconds). Refer to the "Description & Application Manual for 1SP0635 SCALE-2 IGBT Drivers".
  - 13) The maximum dynamic voltage between auxiliary emitters of parallel-connected drivers due to asymmetrical operation at turn-on and turn-off must be limited to the given value.
  - 14) Maximum allowed rate of change of auxiliary emitter voltage of parallel connected drivers. This specification guarantees that the drive information will be transferred reliably even with high rate of change of auxiliary emitter voltages (asymmetrical operation).
  - 15) Dynamic voltages between auxiliary emitters of parallel connected drivers at turn-on and turn-off lead to equalizing currents over the X2 or X3 bus. The peak and RMS values of the resulting current must be limited to the given value.
  - 16) Undervoltage monitoring of the secondary-side supply voltage (Viso to Vee and Vee to COM which correspond with the approximate turn-on and turn-off gate-emitter voltages). If the corresponding voltage drops below this limit on 1SP0635x2Mx (masters), all paralleled IGBTs (master and slaves) are switched off and a fault is transmitted to the status output. If the corresponding voltage drops below this limit on 1SP0635D2Sx (slaves), the corresponding IGBT is switched off. A fault will be generated by the gate-monitoring function on the master which will turn off all paralleled IGBTs after the corresponding delay.
  - 17) The mean value  $V_{GE,mean}$  of all gate voltages (master and all slaves) is filtered and compared to the given values at turn-on and turn-off. If the specified values are exceeded ( $V_{GE,mean} < V_{GE,on,min}$  at turn-on resp.  $V_{GE,mean} > V_{GE,off,max}$  at turn-off) after the given filter delay, the driver turns off all parallel-connected IGBTs and a fault is transmitted to the status output.
  - 18) A dynamic Vce protection is implemented on the driver. The maximum allowed Vce voltage at turn-on is dynamically adjusted in order to better fit the IGBT characteristics at turn-on. At the end of the turn-on process, the given static value applies.
  - 19) The resulting pulse width of the direct output of the gate drive unit for short-circuit type I (excluding the delay of the gate resistors) is the sum of the response time plus the delay to IGBT turn-off.
  - 20) The turn-off event of the IGBT is delayed by the specified time after the response time.
  - 21) Including the delay of the external fiber-optic links (cable length: 1m). Measured from the transition of the turn-on or turn-off command at the optical transmitter on the host controller side to the direct output of the gate drive unit (excluding the delay of the gate resistors).
  - 22) Output rise and fall times are measured between 10% and 90% of the nominal output swing. The values are given for the driver side of the gate resistors with 2Ω/1μF load. The time constant of the

## Preliminary Data Sheet

- output load in conjunction with the present gate resistors leads to an additional delay at their load side.
- 23) Delay of external fiber-optic links. Measured from the driver secondary side (ASIC output) to the optical receiver on the host controller.
  - 24) Measured on the host side. The fault status on the secondary side is automatically reset after the specified time.
  - 25) Including the delay of the external fiber-optic links. Measured from the transition of the turn-on or turn-off command at the optical transmitter on the host controller side to the transition of the acknowledge signal at the optical receiver on the host controller side.
  - 26) The gate resistors and the auxiliary gate capacitor are not assembled on this IGBT gate driver. They must be assembled by the user according to the paragraph on "Gate Resistor Assembly".
  - 27) The driver secondary side voltage is split into two distinct voltages on the driver. The first one is the turn-on voltage which is regulated at about 15V. The difference between the total secondary side voltage and the turn-on voltage is the turn-off voltage which is not regulated and mainly dependent on the driver input voltage VDC and the DC/DC converter power.
  - 28) Partial discharge measurement is performed in accordance with IEC 60270.
  - 29) Clearance and creepage distances are designed according to IEC 60077-1. Refer to the "Description & Application Manual for 1SP0635 SCALE-2 IGBT Drivers" for more information.
  - 30) The fault status is set as long as the gate monitoring fault is present. The given value applies if the driver goes from the "off state" to the "on state" and the gate-emitter voltage of one or more parallel connected drivers does not turn on. If the driver goes from the "on state" to the "off state" and the gate-emitter voltage of one or more parallel connected drivers does not turn off, the fault status is applied as long as the gate monitoring fault is present.
  - 31) The maximum switching frequency is not defined, as it depends on the IGBT module used. Please consult the corresponding driver data sheet for more information.

### Gate Resistor and Auxiliary Gate Capacitor Assembly

The turn-on and turn-off gate resistors as well as the auxiliary gate capacitor of 1SP0635x2xx drivers are adapted to their respective IGBT modules.

Recommended gate resistors (R168, R169, R178 and R179): PR02 / 2W / 5% from Vishay.

Recommended auxiliary gate capacitor (C105): 1206 / X7R / 25V / 5%

The following versions exist:

<b>1200V IGBT Type</b>	<b>R178/ R179</b>	<b>R168/ R169</b>	<b>Resulting R<sub>g,on</sub></b>	<b>Resulting R<sub>g,off</sub></b>	<b>C105</b>
FZ1200R12HP4	3.3Ω	2.4Ω	1.65Ω	1.2Ω	not assembled
1MBI1600VC-120P	6.2Ω	1Ω	3.1Ω	0.5Ω	not assembled
FZ2400R12HP4	3.3Ω	2.4Ω	1.65Ω	1.2Ω	not assembled
FZ3600R12HP4	2.7Ω	2.4Ω	1.35Ω	1.2Ω	not assembled

For the component position, refer to Figs. 1 and 2.

Preliminary Data Sheet

**Assembly Drawing**

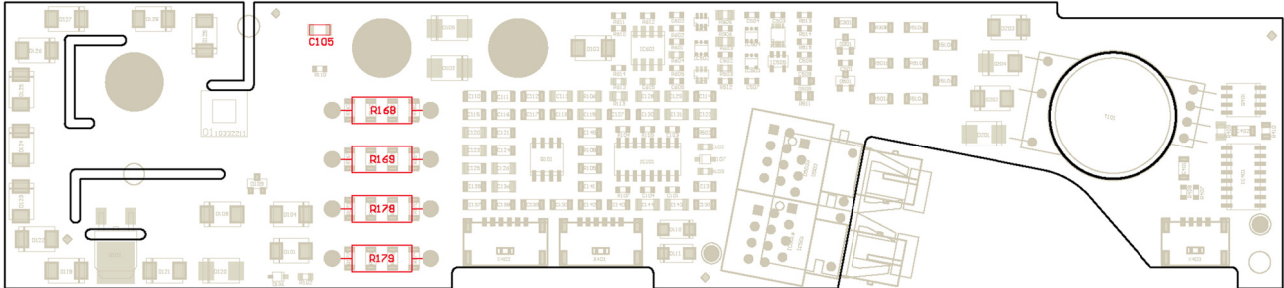


Fig. 1: Assembly drawing of 1SP0635x2Mx with highlighted gate resistors

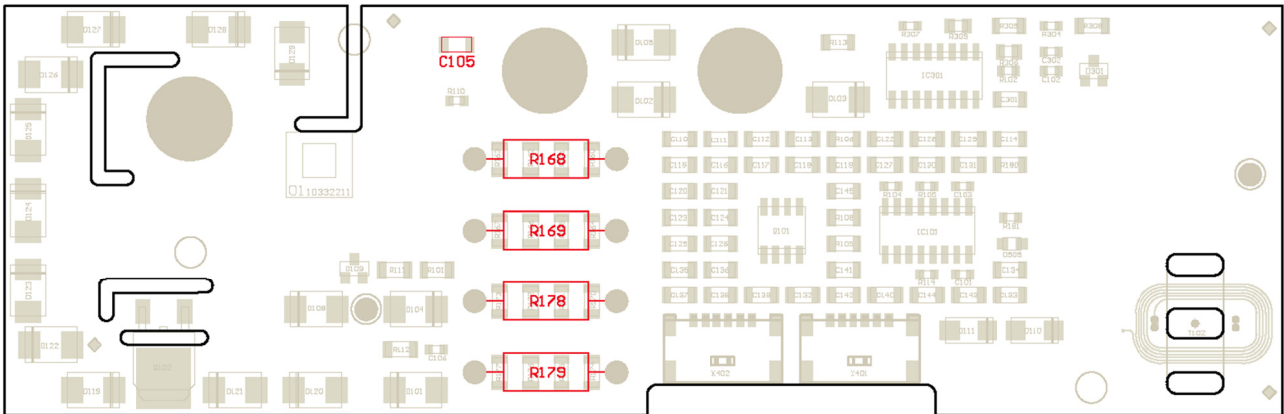


Fig. 2: Assembly drawing of 1SP0635D2Sx with highlighted gate resistors

Note that the wires of the gate resistors should not project more than 1.6mm after soldering (excess length at bottom side). Furthermore, a minimum distance of 1mm must be maintained between the gate resistor body and the PCB.

**Legal Disclaimer**

This data sheet specifies devices but cannot promise to deliver any specific characteristics. No warranty or guarantee is given – either expressly or implicitly – regarding delivery, performance or suitability.

CT-Concept Technologie GmbH reserves the right to make modifications to its technical data and product specifications at any time without prior notice. The general terms and conditions of delivery of CT-Concept Technologie GmbH apply.



## Preliminary Data Sheet

### Ordering Information

The general terms and conditions of delivery of CT-Concept Technologie GmbH apply.

Interface	CONCEPT Driver Type #	Related IGBT
Master, Fiber-Optic Interface <sup>1)</sup>	1SP0635V2M1-12	1200V IGBT modules
Master, Fiber-Optic Interface <sup>2)</sup>	1SP0635S2M1-12	1200V IGBT modules
Slave, Electrical Interface	1SP0635D2S1-12	1200V IGBT modules

1) Fiber-optic interface with versatile link (HFBR-2522Z and HFBR-1522Z)

2) Fiber-optic interface with ST (HFBR-2412Z and HFBR-1412Z)

See "Description & Application Manual for 1SP0635 SCALE-2 IGBT Drivers"

Product home page: [www.IGBT-Driver.com/go/1SP0635](http://www.IGBT-Driver.com/go/1SP0635)

Refer to [www.IGBT-Driver.com/go/nomenclature](http://www.IGBT-Driver.com/go/nomenclature) for information on driver nomenclature

### Information about Other Products

**For other drivers, evaluation systems, product documentation and application support**

Please click onto: [www.IGBT-Driver.com](http://www.IGBT-Driver.com)

### Manufacturer

CT-Concept Technologie GmbH  
 A Power Integrations Company  
 Johann-Renfer-Strasse 15  
 2504 Biel-Bienne  
 Switzerland

Phone +41 - 32 - 344 47 47

Fax +41 - 32 - 344 47 40

E-mail [Info@IGBT-Driver.com](mailto:Info@IGBT-Driver.com)

Internet [www.IGBT-Driver.com](http://www.IGBT-Driver.com)

© 2010...2013 CT-Concept Technologie GmbH - Switzerland.

We reserve the right to make any technical modifications without prior notice.

All rights reserved.

Version 2.1 from 2013-09-06

# Mouser Electronics

Authorized Distributor

Click to View Pricing, Inventory, Delivery & Lifecycle Information:

## Power Integrations:

[1SP0635V2M1-12](#) [1SP0635D2S1-12](#) [1SP0635V2M0-12](#) [1SP0635D2S0-12](#)



Компания «ЭлектроПласт» предлагает заключение долгосрочных отношений при поставках импортных электронных компонентов на взаимовыгодных условиях!

Наши преимущества:

- Оперативные поставки широкого спектра электронных компонентов отечественного и импортного производства напрямую от производителей и с крупнейших мировых складов;
- Поставка более 17-ти миллионов наименований электронных компонентов;
- Поставка сложных, дефицитных, либо снятых с производства позиций;
- Оперативные сроки поставки под заказ (от 5 рабочих дней);
- Экспресс доставка в любую точку России;
- Техническая поддержка проекта, помощь в подборе аналогов, поставка прототипов;
- Система менеджмента качества сертифицирована по Международному стандарту ISO 9001;
- Лицензия ФСБ на осуществление работ с использованием сведений, составляющих государственную тайну;
- Поставка специализированных компонентов (Xilinx, Altera, Analog Devices, Intersil, Interpoint, Microsemi, Aeroflex, Peregrine, Syfer, Eurofarad, Texas Instrument, Miteq, Cobham, E2V, MA-COM, Hittite, Mini-Circuits, General Dynamics и др.);

Помимо этого, одним из направлений компании «ЭлектроПласт» является направление «Источники питания». Мы предлагаем Вам помощь Конструкторского отдела:

- Подбор оптимального решения, техническое обоснование при выборе компонента;
- Подбор аналогов;
- Консультации по применению компонента;
- Поставка образцов и прототипов;
- Техническая поддержка проекта;
- Защита от снятия компонента с производства.



#### Как с нами связаться

**Телефон:** 8 (812) 309 58 32 (многоканальный)

**Факс:** 8 (812) 320-02-42

**Электронная почта:** [org@eplast1.ru](mailto:org@eplast1.ru)

**Адрес:** 198099, г. Санкт-Петербург, ул. Калинина, дом 2, корпус 4, литера А.