



UM4000 / UM4900

HIGH POWER PIN DIODES

RoHS Compliant Versions Available

DESCRIPTION

The UM4000 and UM4900 series features high power PIN diodes with long carrier lifetimes and thick I-regions. They are especially suitable for use in low distortion switches and attenuators, in HF through S band frequencies. While both series are electrically equivalent, the UM4900 series have higher power ratings due to a shorter thermal path between the chip and package. High charge storage and long carrier lifetime enable high RF levels to be controlled with relatively low bias current. Similarly, peak RF voltages can be handled well in excess of applied reverse bias voltage.

Both series have been fully qualified in high power UHF phase shifters and megawatt peak-power duplexers, accumulating thousands of hours of proven performance. Both types have been used in the design of antenna selectors and couplers, where inductance and capacitance elements are switched in and out of filter or cavity networks.

The standard finish for the UM4000 series is Sn/Pb. For RoHS compliant devices, use the UMX prefix. (IE: UMX4000SM) The UMX series meets RoHS requirements per EU Directive 2002/95/EC.

IMPORTANT:

For the most current data, consult our website: www.MICROSEMI.com

KEY FEATURES

- Voltage ratings to 1000 V
- Power dissipation to 37.5 W
- Series resistance rated at 0.5 Ω
- Carrier lifetime greater than 5 μ s
- Non cavity design
- RoHS compliant version available ¹
- Thermally matched configuration
- Low capacitance at 0 V bias
- Low conductance at 0 V bias
- Compatible with automatic insertion equipment

1- RoHS compliant version is supplied with a matte tin finish. (Order UMX4000, UMX4900)



ABSOLUTE MAXIMUM RATINGS AT 25° C (UNLESS OTHERWISE SPECIFIED)

Package	Condition	UM4000		UM4900	
		PD (W)	θ (°C/W)	PD (W)	θ (°C/W)
A	25 °C Pin Temperature	25	6	37.5	4
B & E	½ in. total length to 25 °C Contact	12	1.25	12	12.5
	Free Air	2.5		2.5	
C	25 °C Stud Temperature	25	6	37.5	4
D	25 °C Stud Temperature	18.75	8	25	6
SM	25 °C End Cap Temperature	20	7	N/A	
All	1 us pulse (Single)	100 kW		100 kW	

APPLICATIONS/BENEFITS

- Isolated stud package available
- Surface mount package available

VOLTAGE RATINGS

Reverse Voltage @ 10 uA	UM4000	UM4900
100	UM4001	UM4901
200	UM4002	UM4902
400	-	-
600	UM4006	UM4906
1000	UM4010	-



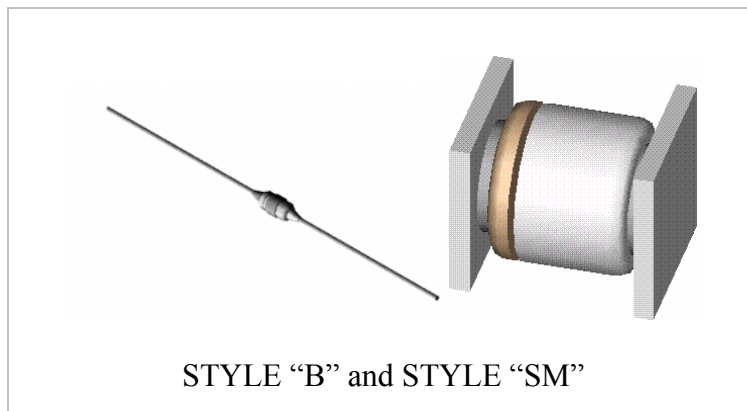
UM4000 / UM4900

HIGH POWER PIN DIODES

RoHS Compliant Versions Available

ELECTRICAL PARAMETERS @ 25°C (unless otherwise specified)

Parameter	Symbol	Conditions	Min	Typ.	Max	Units
Forward Voltage	V_F	$I_F = 100 \text{ mA}$			1.0	V
Reverse Current	I_R	At rated voltage			10	μA
Series Resistance	R_S	$I_F = 100 \text{ mA}$, $F = 100 \text{ MHz}$		0.3	0.5	Ohm
Capacitance	C_T	$V_R = 100 \text{ V}$, $F = 1 \text{ MHz}$		2.4	3	pF
Parallel Resistance	R_P	$V_R = 100 \text{ V}$, $F = 100 \text{ MHz}$	10k	15k		Ohms
Carrier Lifetime	τ	$I_F = 10 \text{ mA}$	5	10		μs





UM4000 / UM4900

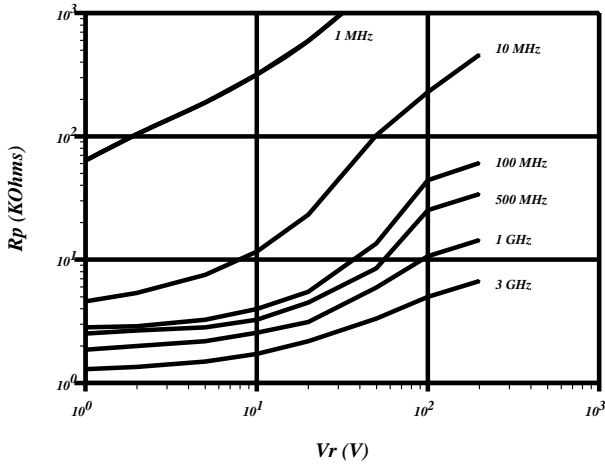
HIGH POWER PIN DIODES

RoHS Compliant Versions Available

www.MICROSEMI.com

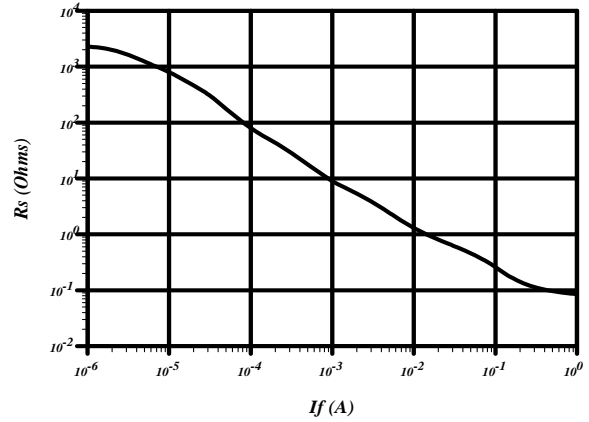
RP VS REVERSE BIAS

UM4000/UM4900
TYPICAL



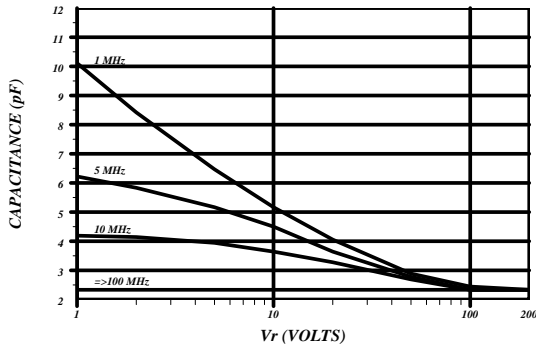
RS VS IF @ 100MHZ

UM4000/UM4900
TYPICAL



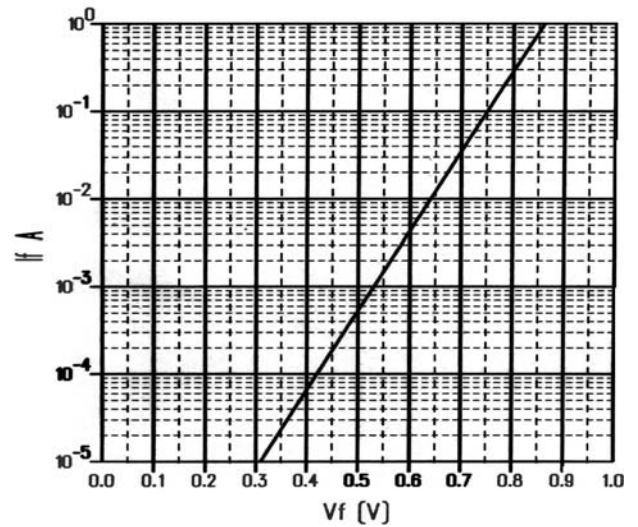
CT VS REVERSE VOLTAGE

UM4000/UM4900
TYPICAL



VF VS IF

UM4000/UM4900
TYPICAL



GRAPHS

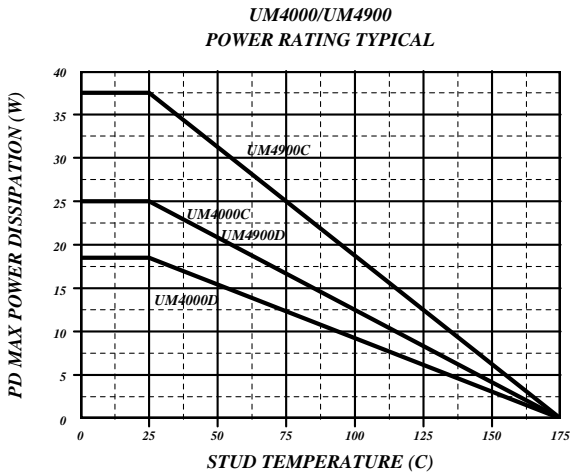


UM4000 / UM4900

HIGH POWER PIN DIODES

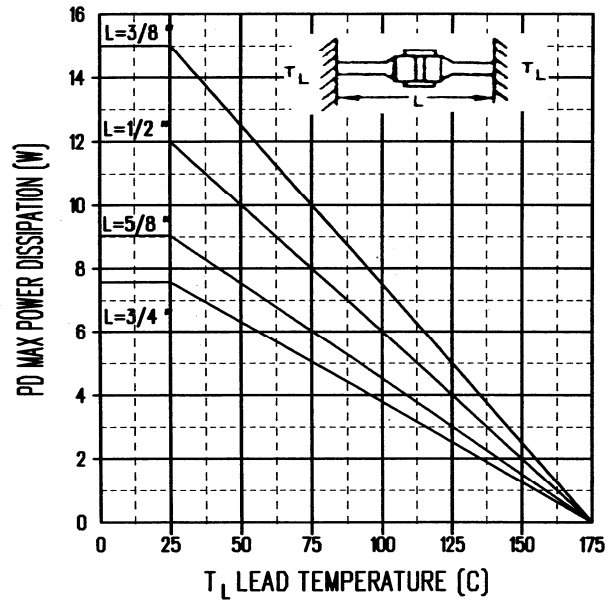
RoHS Compliant Versions Available

TYPICAL POWER RATINGS

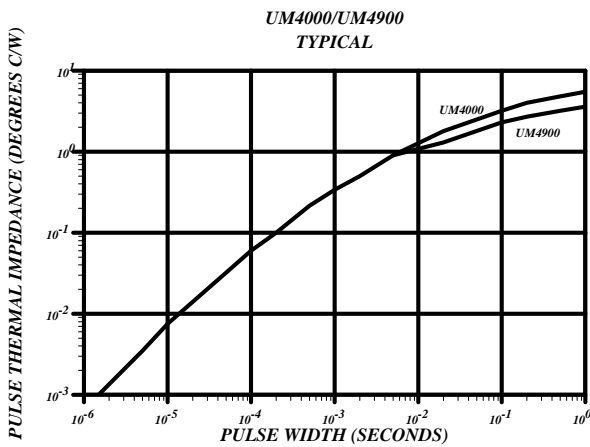


TYPICAL POWER RATINGS

UM4000/UM4900
POWER RATING TYPICAL



PULSED THERMAL IMPEDANCE



www.MICROSEMI.com

GRAPHS

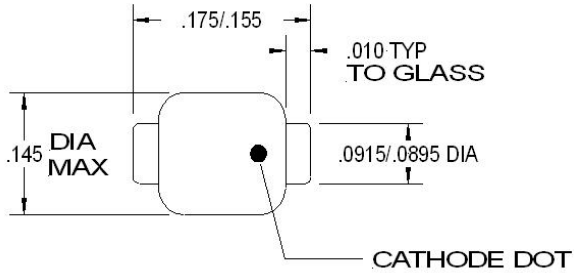


UM4000 / UM4900

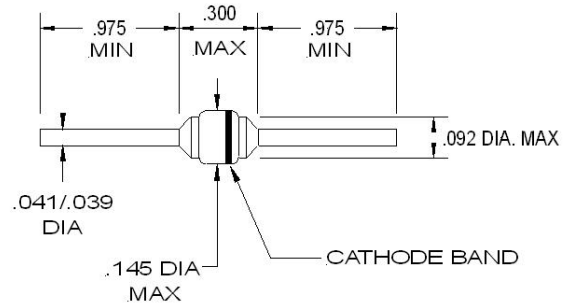
HIGH POWER PIN DIODES

RoHS Compliant Versions Available

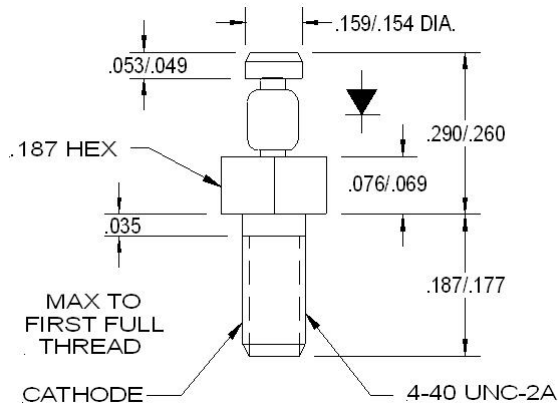
STYLE "A"



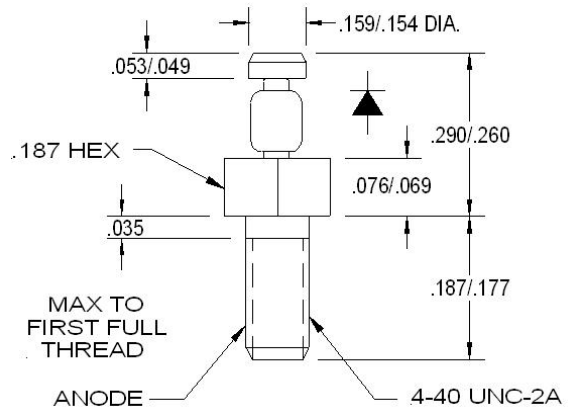
STYLE "B"



STYLE "C"



STYLE "CR"



www.MICROSEMI.com

MECHANICAL



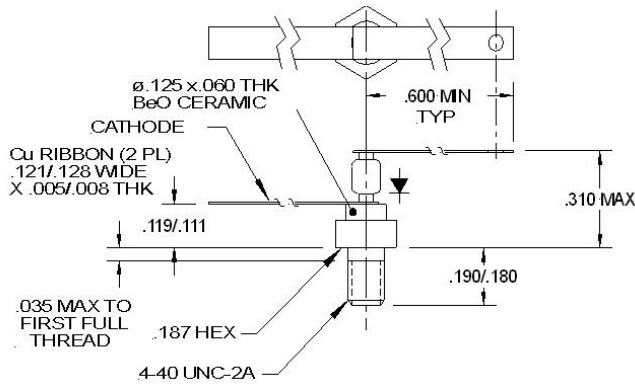
UM4000 / UM4900

HIGH POWER PIN DIODES

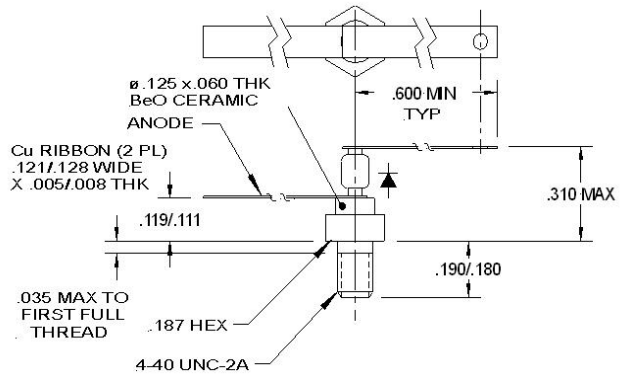
RoHS Compliant Versions Available

www.MICROSEMI.com

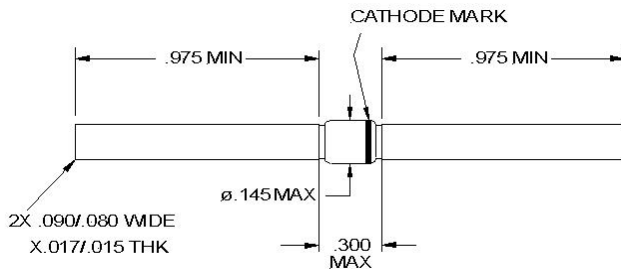
STYLE "D"



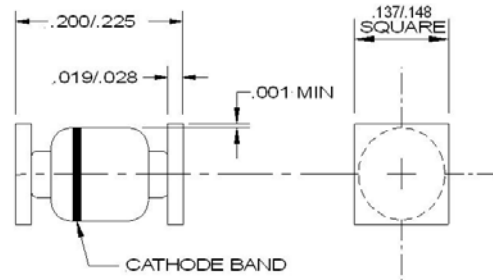
STYLE "DR"



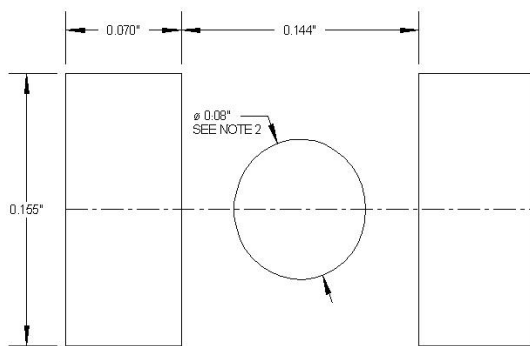
STYLE "E"



STYLE "SM"



STYLE "SM" FOOTPRINT



B SIZE
(STANDARD LARGE SQUARE END CAP OUTLINE)

STYLE "SM" FOOTPRINT NOTES

Notes:

- Footprint dimensions the terminals and allow for a solder fillet on each end provided placement accuracy is within 0.005"
- If the mounting method chosen requires the use of an adhesive in addition to the solder, then a round or square spot of adhesive should be centrally located as shown.

MECHANICAL

Mouser Electronics

Authorized Distributor

Click to View Pricing, Inventory, Delivery & Lifecycle Information:

Microchip:

[UM4006SM](#) [UM4010DR](#) [UM4906SM](#) [UM4001B](#) [UM4001C](#) [UM4001CR](#) [UM4001D](#) [UM4001E](#) [UM4002B](#)
[UM4906D](#) [UMX4006B](#) [UM4010D](#) [UM4901C](#) [UM4901D](#) [UM4902C](#) [UM4902D](#) [UM4906C](#) [UM4002D](#) [UM4006B](#)
[UM4006D](#) [UM4010A](#) [UM4010B](#) [UM4010CR](#) [UM4010SM](#)



Компания «ЭлектроПласт» предлагает заключение долгосрочных отношений при поставках импортных электронных компонентов на взаимовыгодных условиях!

Наши преимущества:

- Оперативные поставки широкого спектра электронных компонентов отечественного и импортного производства напрямую от производителей и с крупнейших мировых складов;
- Поставка более 17-ти миллионов наименований электронных компонентов;
- Поставка сложных, дефицитных, либо снятых с производства позиций;
- Оперативные сроки поставки под заказ (от 5 рабочих дней);
- Экспресс доставка в любую точку России;
- Техническая поддержка проекта, помощь в подборе аналогов, поставка прототипов;
- Система менеджмента качества сертифицирована по Международному стандарту ISO 9001;
- Лицензия ФСБ на осуществление работ с использованием сведений, составляющих государственную тайну;
- Поставка специализированных компонентов (Xilinx, Altera, Analog Devices, Intersil, Interpoint, Microsemi, Aeroflex, Peregrine, Syfer, Eurofarad, Texas Instrument, Miteq, Cobham, E2V, MA-COM, Hittite, Mini-Circuits, General Dynamics и др.);

Помимо этого, одним из направлений компании «ЭлектроПласт» является направление «Источники питания». Мы предлагаем Вам помощь Конструкторского отдела:

- Подбор оптимального решения, техническое обоснование при выборе компонента;
- Подбор аналогов;
- Консультации по применению компонента;
- Поставка образцов и прототипов;
- Техническая поддержка проекта;
- Защита от снятия компонента с производства.



Как с нами связаться

Телефон: 8 (812) 309 58 32 (многоканальный)

Факс: 8 (812) 320-02-42

Электронная почта: org@eplast1.ru

Адрес: 198099, г. Санкт-Петербург, ул. Калинина, дом 2, корпус 4, литера А.