

4

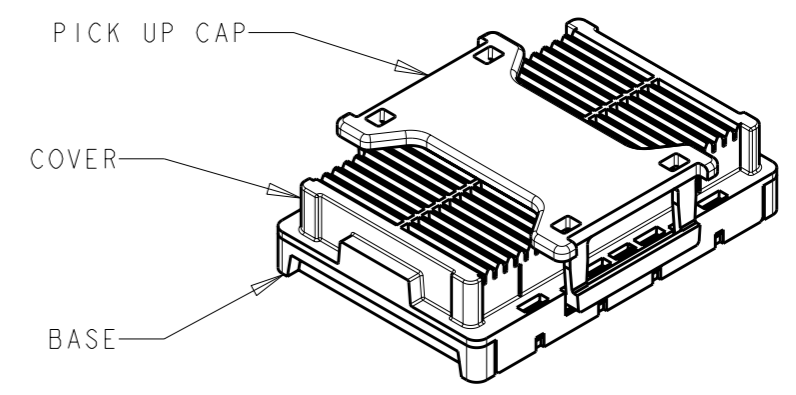
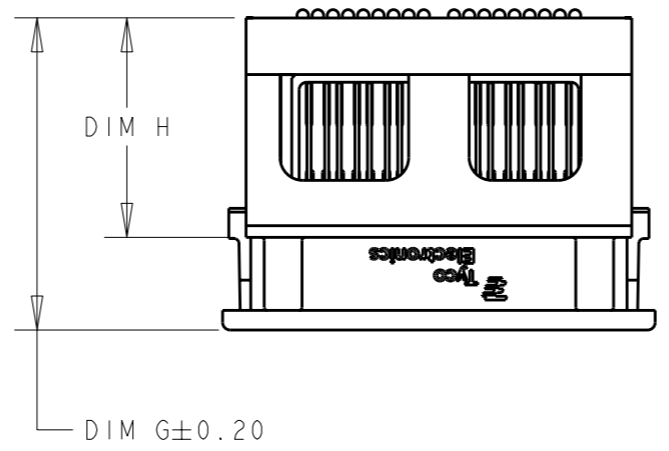
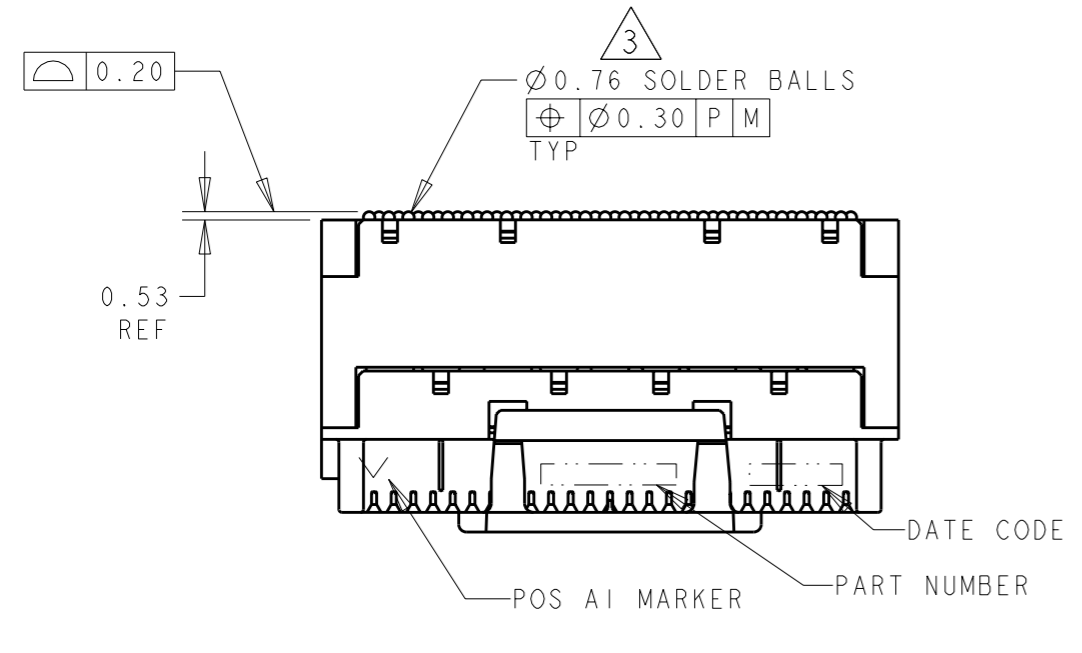
3

2

1

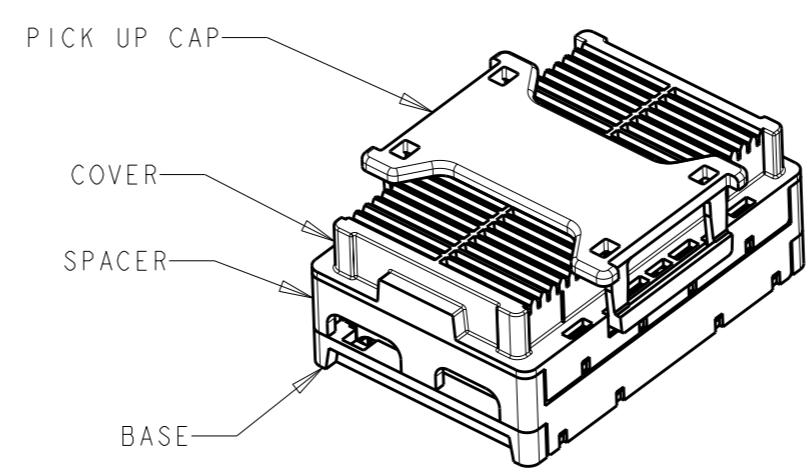
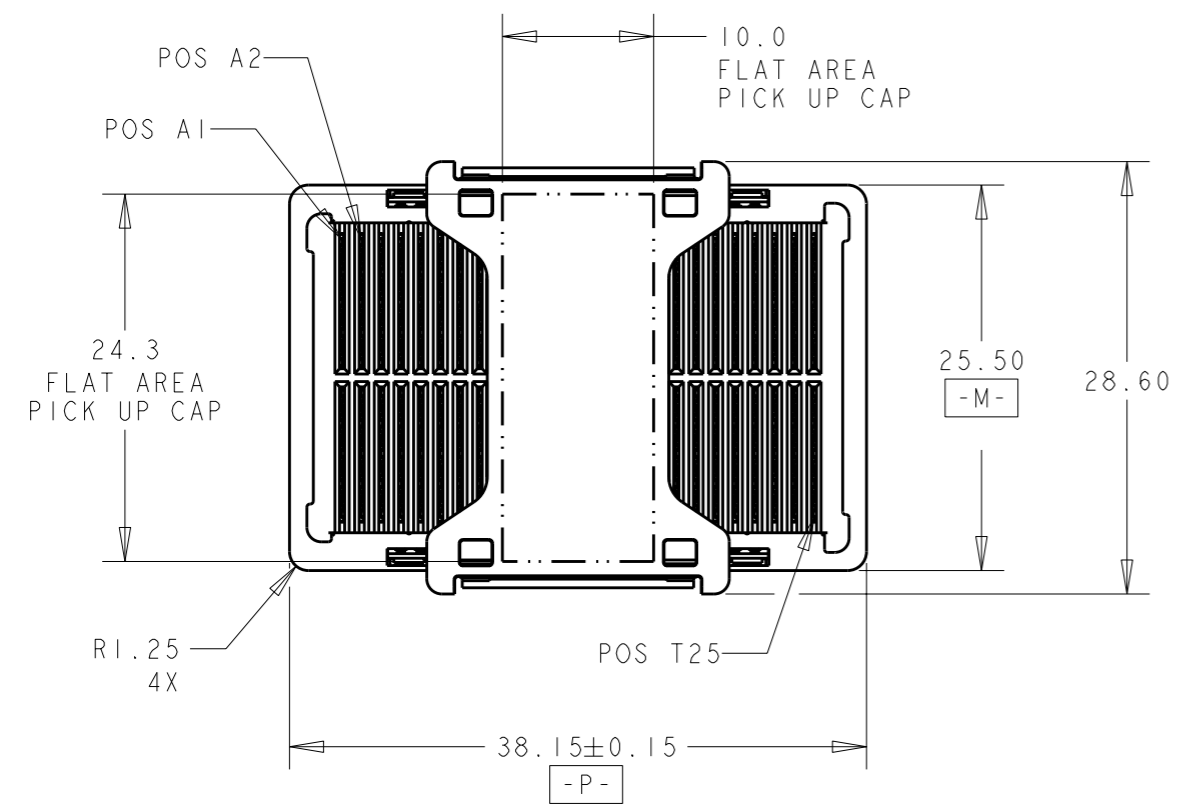
THIS DRAWING IS UNPUBLISHED. RELEASED FOR PUBLICATION 20  
 © COPYRIGHT 20 BY - ALL RIGHTS RESERVED.

LOC	DIST	REVISIONS				
P	LTR	DESCRIPTION	DATE	DWN	APVD	
GP	00	A5	REVISED PER ECO-11-005027	16MAR2011	RK HMR	

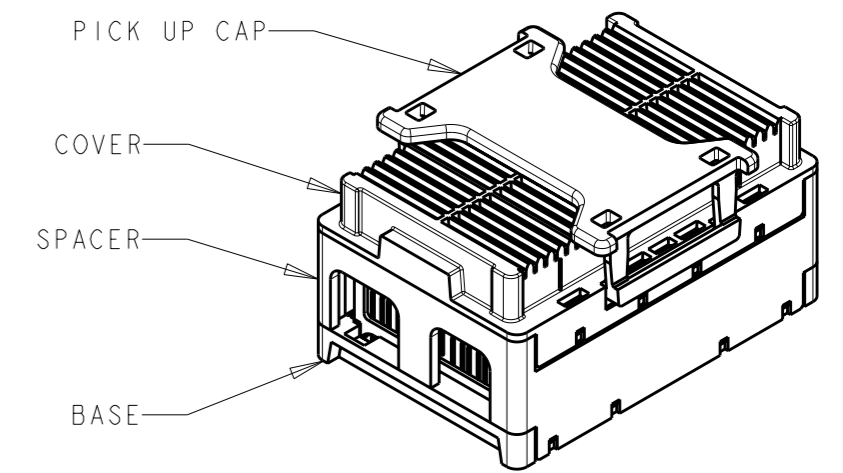


**TYPICAL ASSEMBLY**  
 15mm SHOWN  
 SCALE 2:1


ISOMETRIC VIEW  
 TYPICAL CONFIGURATION  
 FOR 5mm ASSEMBLY  
 SCALE 3:2



ISOMETRIC VIEW  
 TYPICAL CONFIGURATION  
 FOR 11mm ASSEMBLY  
 SCALE 3:2



ISOMETRIC VIEW  
 TYPICAL CONFIGURATION  
 FOR 15mm ASSEMBLY  
 SCALE 3:2

THIS DRAWING IS A CONTROLLED DOCUMENT.		DWN P BRANDBERG 21DEC04	 TE Connectivity	
DIMENSIONS: mm		CHK D WERTZ 05JAN05		
TOLERANCES UNLESS OTHERWISE SPECIFIED:		APVD D WERTZ 05JAN05	NAME STEP-Z, RECEPTACLE ASSEMBLY, 200 SIGNAL POSITION	
0 PLC ±-		PRODUCT SPEC 108-2143	SIZE A3	
1 PLC ±0.3		APPLICATION SPEC 114-13101	CAGE CODE 00779	DRAWING NO C-1761615
2 PLC ±0.10		WEIGHT -	RESTRICTED TO -	
3 PLC ±0.050		CUSTOMER DRAWING	SCALE -	SHEET 1 OF 6
4 PLC ±-			REV A5	
ANGLES ±2°				
MATERIAL 1				
FINISH 2				

THIS DRAWING IS UNPUBLISHED. RELEASED FOR PUBLICATION 20  
 © COPYRIGHT 20 BY - ALL RIGHTS RESERVED.

LOC	DIST	REVISIONS					
		P	LTR	DESCRIPTION	DATE	DWN	APVD
GP	00		-	SEE SHEET 1	-	-	-

1 MATERIAL:  
 BASE, SPACER, COVER: THERMOPLASTIC  
 PICK UP CAP: THERMOPLASTIC  
 CONTACT: COPPER ALLOY  
 SOLDER BALL: Sn/Pb FOR P/N 1761615-1 THRU 5-1761615-0  
 Sn/Ag FOR P/N 5-1761615-1 THRU 9-1761615-9

2 FINISH:  
 CONTACT: 0.00076 MIN GOLD OVER 0.00127 MIN NICKEL.  
 (30µ" MIN GOLD OVER 50µ" MIN NICKEL)

3 SOLDER BALLS WILL NOT BE PERFECT  
 SPHERICAL SHAPE DUE TO REFLOW ATTACHMENT.

4 CONTACTS IN ROWS A,C,E,G,J,K,M,P,R, AND T  
 ARE SINGLE BEAM CONTACTS,  
 TYPICALLY USED AS GROUND PINS.  
 (NOTE: CONTACTS IN ROWS J & K ARE TIED  
 TOGETHER [COMMONED]).


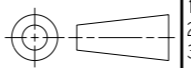
5 CONTACTS IN ROWS B,D,F,H,L,N,Q, AND S  
 ARE DUAL BEAM CONTACTS,  
 TYPICALLY USED AS SIGNAL PINS.

6 SPECIFIED POSITIONAL TOLERANCE DEFINES PAD TO PAD  
 LOCATION WITHIN LAND PATTERN. POSITIONAL TOLERANCE  
 OF LAND PATTERN TO FUDICIAL MARKS OR PCB DATUMS  
 SHALL BE DEFINED BY CUSTOMER. FOR RECOMMENDED  
 PRODUCT APPLICATION AND PCB DESIGN DETAILS, SEE  
 APPLICATION SPEC 114-13101.

7 SOLDER PADS UNUSED, MAY BE OMITTED.

8 REFERENCE BOARD PATTERN FOR DIMENSIONS  
 AND DETAILS NOT SHOWN.

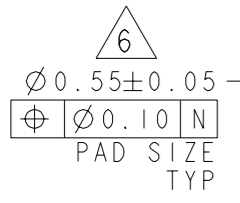
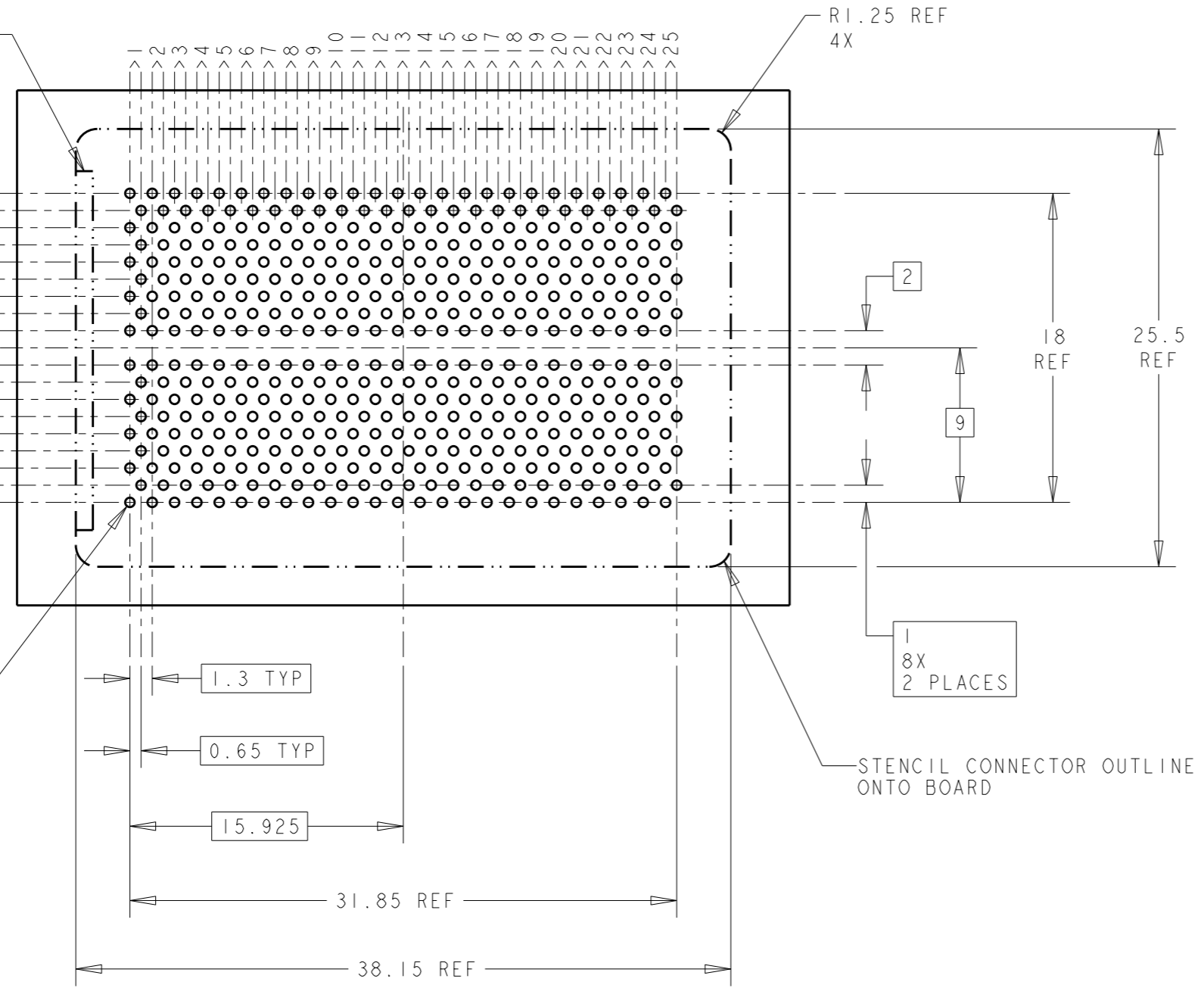
DIM H	DIM G	LOAD STYLE	DESCRIPTION	PART NUMBER
14.51	20.65	SELECT LOAD-112 POSN-SEE VIEW 35	15mm Sn/Ag	8-1761615-5
14.51	20.65	SELECT LOAD-104 POSN-SEE VIEW 32	15mm Sn/Ag	8-1761615-2
4.51	10.65	SELECT LOAD-104 POSN-SEE VIEW 31	5mm Sn/Ag	8-1761615-1
14.51	20.65	FULL LOAD-200 POSN	15mm Sn/Ag	6-1761615-5
10.51	16.65	FULL LOAD-200 POSN	11mm Sn/Ag	6-1761615-1
4.51	10.65	FULL LOAD-200 POSN	5mm Sn/Ag	5-1761615-5
14.51	20.65	SELECT LOAD-120 POSN-SEE VIEW 33	15mm Sn/Pb	3-1761615-3
14.51	20.65	SELECT LOAD-104 POSN-SEE VIEW 32	15mm Sn/Pb	3-1761615-2
4.51	10.65	SELECT LOAD-104 POSN-SEE VIEW 31	5mm Sn/Pb	3-1761615-1
14.51	20.65	FULL LOAD-200 POSN	15mm Sn/Pb	1-1761615-5
10.51	16.65	FULL LOAD-200 POSN	11mm Sn/Pb	1-1761615-1
4.51	10.65	FULL LOAD-200 POSN	5mm Sn/Pb	1761615-5

THIS DRAWING IS A CONTROLLED DOCUMENT.		DWN P BRANDBERG 21DEC04	 TE Connectivity	
		CHK D WERTZ 05JAN05		
DIMENSIONS: mm		APVD D WERTZ 05JAN05	NAME STEP-Z, RECEPTACLE ASSEMBLY, 200 SIGNAL POSITION	
		PRODUCT SPEC 108-2143	RESTRICTED TO	
TOLERANCES UNLESS OTHERWISE SPECIFIED:		APPLICATION SPEC 114-13101	SIZE A3	CAGE CODE 00779
0 PLC ±- 1 PLC ±0.3 2 PLC ±0.10 3 PLC ±0.050 4 PLC ±- ANGLES ±2°		WEIGHT -	DRAWING NO 1761615	SCALE -
MATERIAL -		FINISH -	SHEET 2 OF 6 REV A5	
		CUSTOMER DRAWING		

THIS DRAWING IS UNPUBLISHED. RELEASED FOR PUBLICATION 20  
 © COPYRIGHT 20 BY - ALL RIGHTS RESERVED.

LOC	DIST	REVISIONS				
P	LTR	DESCRIPTION	DATE	DWN	APVD	
GP	00	SEE SHEET 1	-	-	-	

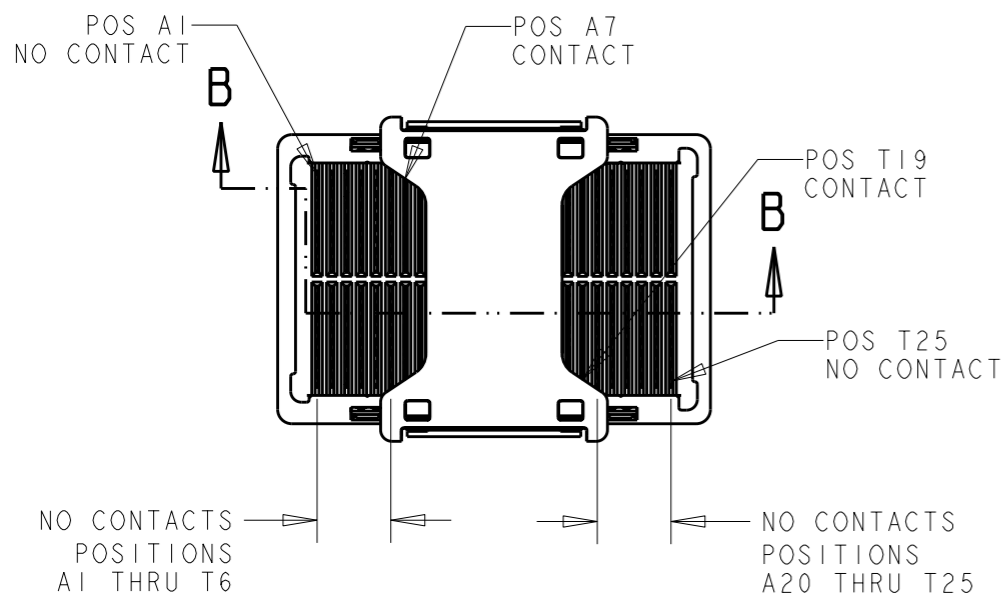
KEY ORIENTATION  
SILK-SCREEN  
(OPTIONAL)



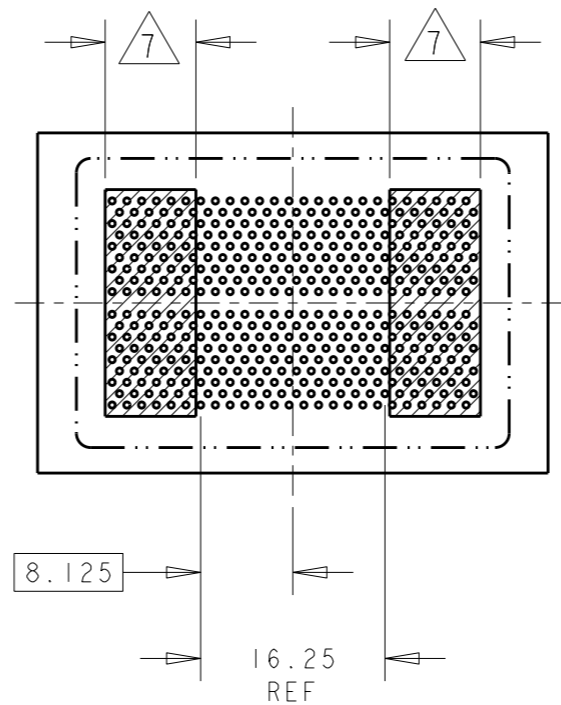
4 5 BOARD PATTERN  
SCALE 3:1

THIS DRAWING IS A CONTROLLED DOCUMENT.		DWN P BRANDBERG 21DEC04		TE Connectivity	
DIMENSIONS: mm		CHK D WERTZ 05JAN05			
		TOLERANCES UNLESS OTHERWISE SPECIFIED:		NAME STEP-Z, RECEPTACLE ASSEMBLY, 200 SIGNAL POSITION	
		0 PLC ±- 1 PLC ±0.3 2 PLC ±0.10 3 PLC ±0.050 4 PLC ±- ANGLES ±2°		APVD D WERTZ 05JAN05	
MATERIAL -		FINISH -		PRODUCT SPEC 108-2143	
				APPLICATION SPEC 114-13101	
				WEIGHT -	
				SIZE A3	
				CAGE CODE 00779	
				DRAWING NO C-1761615	
				RESTRICTED TO -	
				SCALE - SHEET 3 OF 6 REV A5	
				CUSTOMER DRAWING	

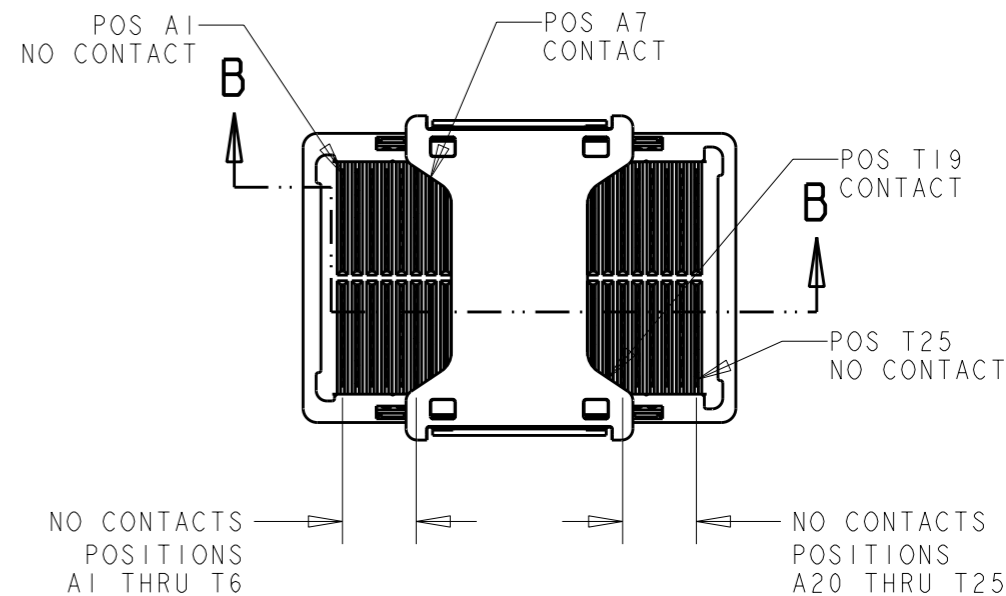
LOC	DIST	REVISIONS				
P	LTR	DESCRIPTION	DATE	DWN	APVD	
GP	00	-	SEE SHEET 1	-	-	



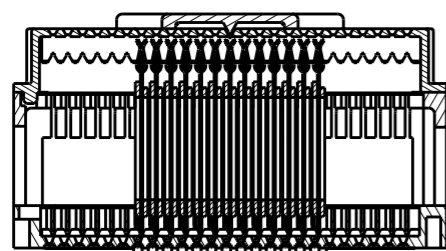
VIEW 32  
SELECT LOAD 15mm 104 POSITION  
SCALE 3:2



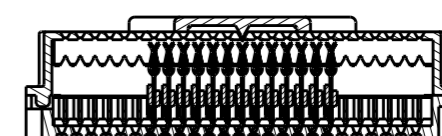
VIEW 31 & VIEW 32  
SELECT LOAD 104 POSITION  
BOARD PATTERN  
SCALE 3:2




VIEW 31  
SELECT LOAD 5mm 104 POSITION  
SCALE 3:2



SECTION B-B



SECTION B-B

THIS DRAWING IS A CONTROLLED DOCUMENT.		DWN P BRANDBERG 21DEC04	 TE Connectivity	
DIMENSIONS: mm		CHK D WERTZ 05JAN05		
TOLERANCES UNLESS OTHERWISE SPECIFIED:		APVD D WERTZ 05JAN05	NAME STEP-Z, RECEPTACLE ASSEMBLY, 200 SIGNAL POSITION	
0 PLC ±- 1 PLC ±0.3 2 PLC ±0.10 3 PLC ±0.050 4 PLC ±- ANGLES ±2°		PRODUCT SPEC 108-2143	SIZE A3	
MATERIAL -		APPLICATION SPEC 114-13101	CAGE CODE 00779	DRAWING NO C-1761615
FINISH -		WEIGHT -	RESTRICTED TO -	
		CUSTOMER DRAWING	SCALE -	SHEET 4 OF 6 REV A5

4

3

2

1

THIS DRAWING IS UNPUBLISHED.

RELEASED FOR PUBLICATION

20

© COPYRIGHT 20

BY -

ALL RIGHTS RESERVED.

LOC  
GPDIST  
00

REVISIONS

P	LTR	DESCRIPTION	DATE	DWN	APVD
-	-	SEE SHEET 1	-	-	-

POS A1  
NO CONTACT

POS A6  
CONTACT

POS T20  
CONTACT

POS T25  
NO CONTACT

NO CONTACTS  
POSITIONS  
A1 THRU T5

NO CONTACTS  
POSITIONS  
A21 THRU T25

VIEW 33  
SELECT LOAD 15mm 120 POSITION  
SCALE 3:2

SECTION B-B

9.425

18.85  
REF

VIEW 33  
SELECT LOAD 120 POSITION  
BOARD PATTERN  
SCALE 3:2

A1  
GROUND

A2  
GROUND

A3  
GROUND

B1  
SIGNAL/GROUND

C1  
GROUND

D1  
SIGNAL/GROUND

B3-B4  
DIFFERENTIAL PAIR  
TYPICAL

RECEPTACLE INTERFACE

SCALE 8:1

THIS DRAWING IS A CONTROLLED DOCUMENT.

DWN  
P BRANDBERG 21DEC04CHK  
D WERTZ 05JAN05APVD  
D WERTZ 05JAN05

PRODUCT SPEC

108-2143

APPLICATION SPEC

114-13101

WEIGHT -

CUSTOMER DRAWING

TE Connectivity

NAME  
STEP-Z, RECEPTACLE ASSEMBLY,  
200 SIGNAL POSITION

SIZE CAGE CODE DRAWING NO RESTRICTED TO

A3 00779 C-1761615 -

SCALE SHEET 5 OF 6 REV A5

DIMENSIONS:

mm

TOLERANCES UNLESS  
OTHERWISE SPECIFIED:

0 PLC	±-
1 PLC	±0.3
2 PLC	±0.10
3 PLC	±0.050
4 PLC	±-
ANGLES	±2°

MATERIAL -

FINISH -

1470-19 (3/11)

THIS DRAWING IS UNPUBLISHED.

RELEASED FOR PUBLICATION

20

© COPYRIGHT 20 BY -

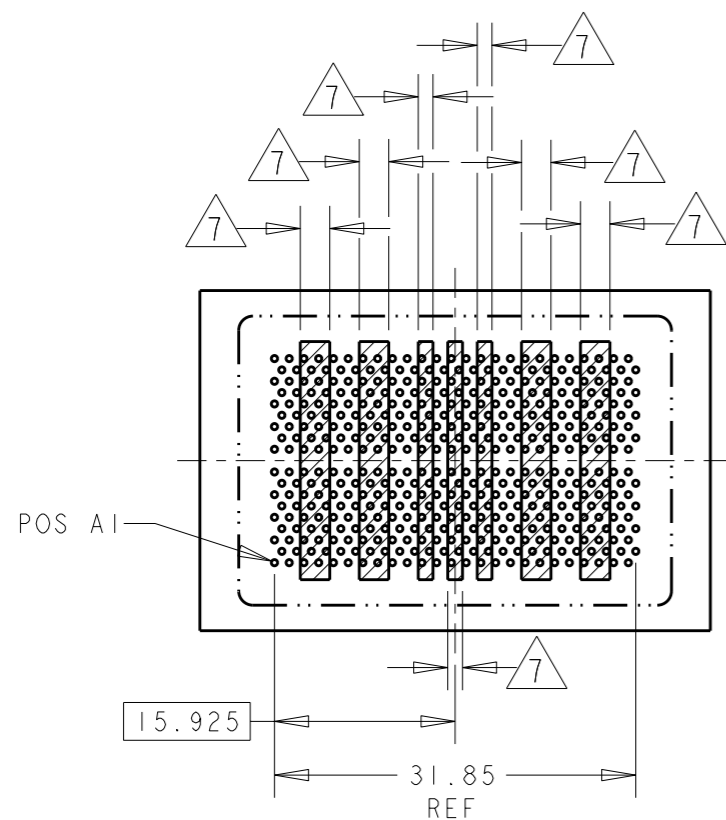
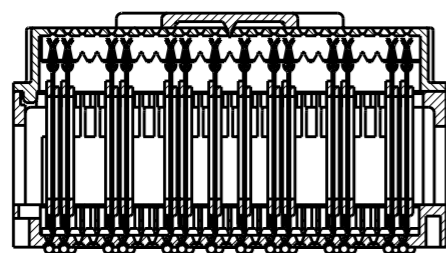
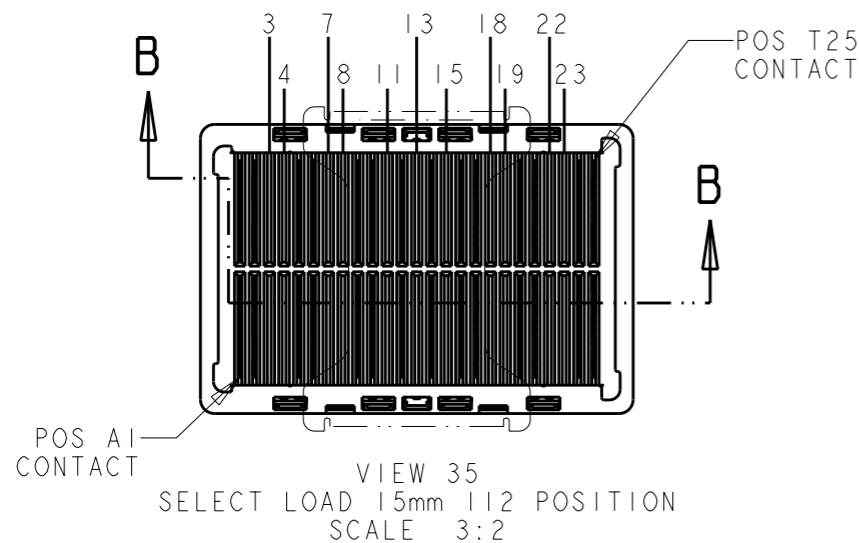
ALL RIGHTS RESERVED.

LOC GP DIST 00

REVISIONS

P	LTR	DESCRIPTION	DATE	DWN	APVD
-	-	SEE SHEET 1	-	-	-

NO CONTACTS IN THESE COLUMNS



THIS DRAWING IS A CONTROLLED DOCUMENT.		DWN P BRANDBERG 21DEC04	<b>STE</b> TE Connectivity
DIMENSIONS: mm		CHK D WERTZ 05JAN05	
TOLERANCES UNLESS OTHERWISE SPECIFIED:		APVD D WERTZ 05JAN05	NAME STEP-Z, RECEPTACLE ASSEMBLY, 200 SIGNAL POSITION
0 PLC ±-		PRODUCT SPEC 108-2143	
1 PLC ±0.3		APPLICATION SPEC 114-13101	SIZE A3
2 PLC ±0.10		WEIGHT -	CAGE CODE 00779
3 PLC ±0.050		FINISH -	DRAWING NO C-1761615
4 PLC ±-			RESTRICTED TO -
ANGLES ±2°		CUSTOMER DRAWING	SCALE - SHEET 6 OF 6 REV A5



Компания «ЭлектроПласт» предлагает заключение долгосрочных отношений при поставках импортных электронных компонентов на взаимовыгодных условиях!

Наши преимущества:

- Оперативные поставки широкого спектра электронных компонентов отечественного и импортного производства напрямую от производителей и с крупнейших мировых складов;
- Поставка более 17-ти миллионов наименований электронных компонентов;
- Поставка сложных, дефицитных, либо снятых с производства позиций;
- Оперативные сроки поставки под заказ (от 5 рабочих дней);
- Экспресс доставка в любую точку России;
- Техническая поддержка проекта, помощь в подборе аналогов, поставка прототипов;
- Система менеджмента качества сертифицирована по Международному стандарту ISO 9001;
- Лицензия ФСБ на осуществление работ с использованием сведений, составляющих государственную тайну;
- Поставка специализированных компонентов (Xilinx, Altera, Analog Devices, Intersil, Interpoint, Microsemi, Aeroflex, Peregrine, Syfer, Eurofarad, Texas Instrument, Miteq, Cobham, E2V, MA-COM, Hittite, Mini-Circuits, General Dynamics и др.);

Помимо этого, одним из направлений компании «ЭлектроПласт» является направление «Источники питания». Мы предлагаем Вам помощь Конструкторского отдела:

- Подбор оптимального решения, техническое обоснование при выборе компонента;
- Подбор аналогов;
- Консультации по применению компонента;
- Поставка образцов и прототипов;
- Техническая поддержка проекта;
- Защита от снятия компонента с производства.



#### Как с нами связаться

**Телефон:** 8 (812) 309 58 32 (многоканальный)

**Факс:** 8 (812) 320-02-42

**Электронная почта:** [org@eplast1.ru](mailto:org@eplast1.ru)

**Адрес:** 198099, г. Санкт-Петербург, ул. Калинина, дом 2, корпус 4, литера А.