

4

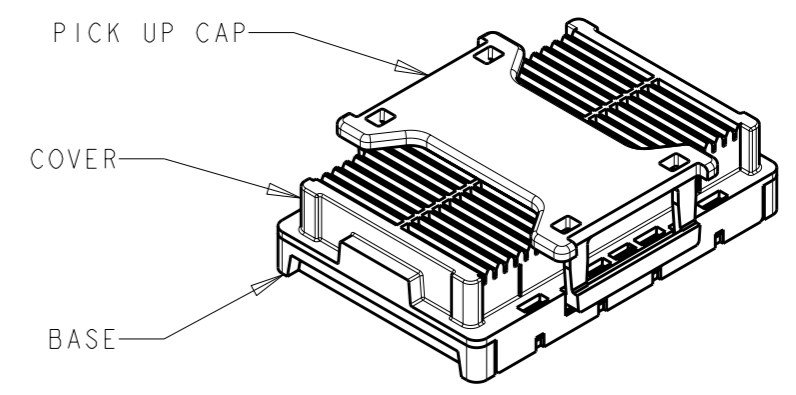
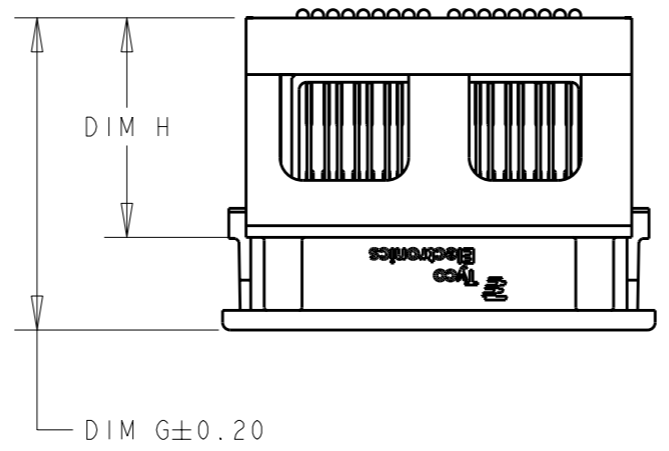
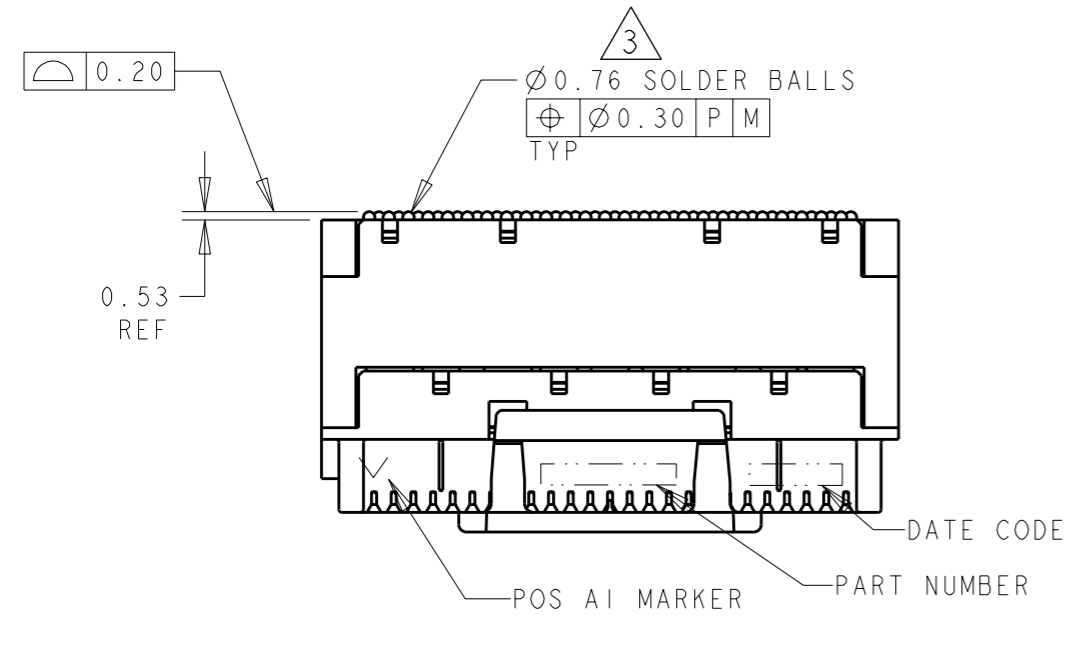
3

2

1

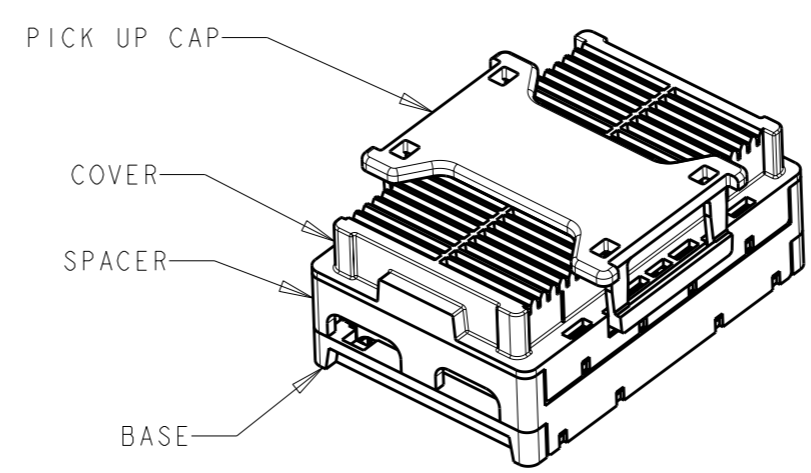
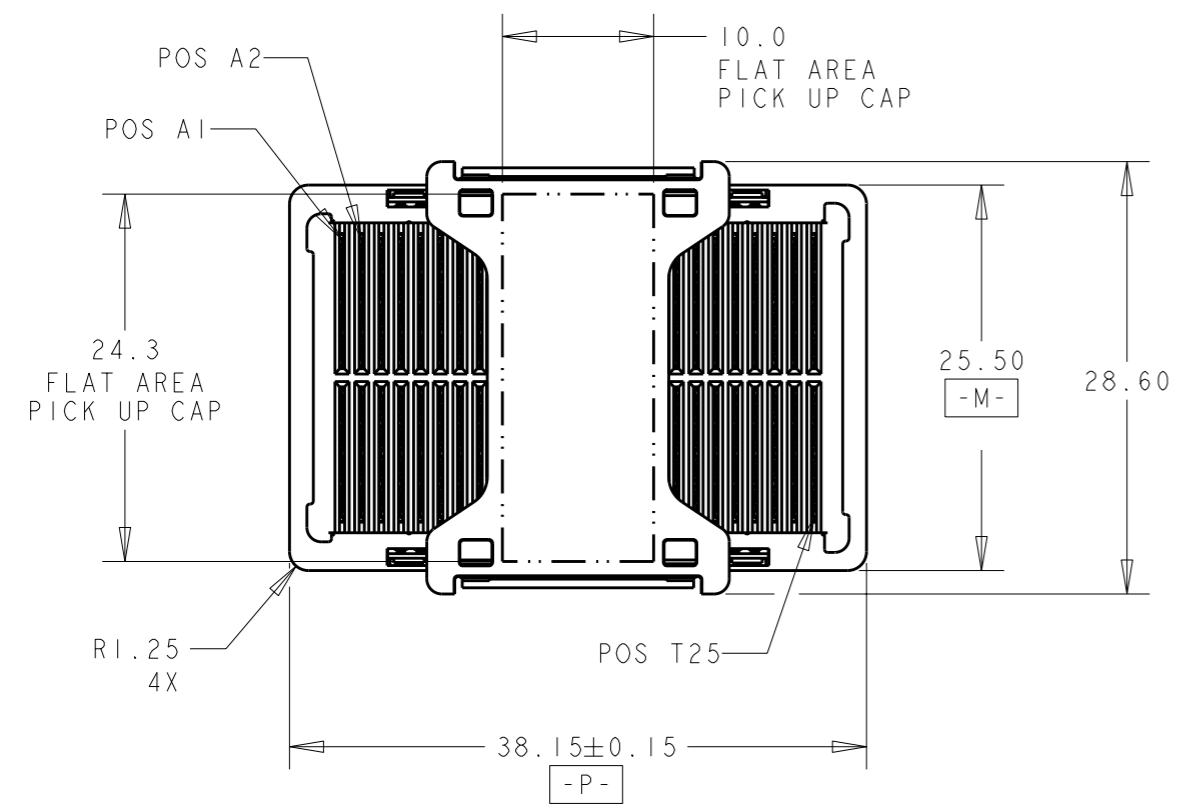
THIS DRAWING IS UNPUBLISHED. RELEASED FOR PUBLICATION 20
 © COPYRIGHT 20 BY - ALL RIGHTS RESERVED.

| LOC | DIST | REVISIONS | | | |
|-----|------|-------------|---------------------------|-----------|-----------|
| P | LTR | DESCRIPTION | DATE | DWN | APVD |
| GP | 00 | A5 | REVISED PER ECO-11-005027 | 16MAR2011 | RK HMR |

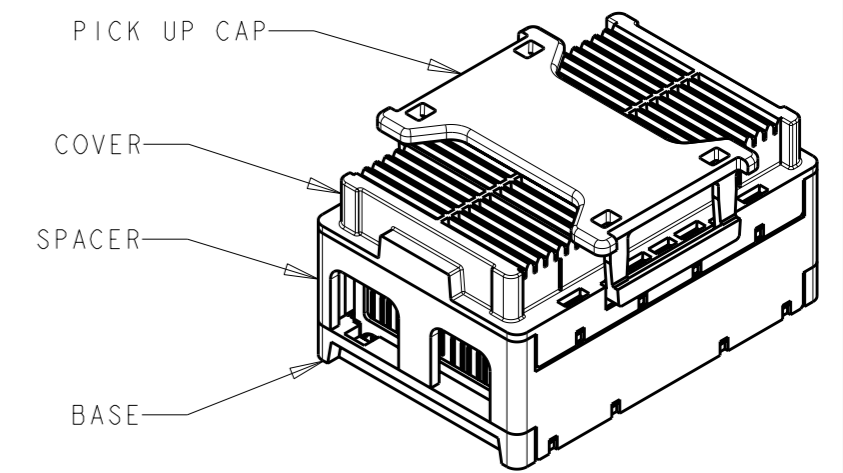


ISOMETRIC VIEW
 TYPICAL CONFIGURATION
 FOR 5mm ASSEMBLY
 SCALE 3:2

TYPICAL ASSEMBLY
 15mm SHOWN
 SCALE 2:1



ISOMETRIC VIEW
 TYPICAL CONFIGURATION
 FOR 11mm ASSEMBLY
 SCALE 3:2



ISOMETRIC VIEW
 TYPICAL CONFIGURATION
 FOR 15mm ASSEMBLY
 SCALE 3:2


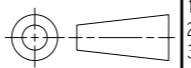
| | | | | |
|---|--|----------------------------|---|---------------------|
| THIS DRAWING IS A CONTROLLED DOCUMENT. | | DWN P BRANDBERG 21DEC04 | TE Connectivity | |
| DIMENSIONS: mm | | CHK D WERTZ 05JAN05 | | |
| TOLERANCES UNLESS OTHERWISE SPECIFIED: | | APVD D WERTZ 05JAN05 | NAME STEP-Z, RECEPTACLE ASSEMBLY, 200 SIGNAL POSITION | |
| 0 PLC ±- 1 PLC ±0.3 2 PLC ±0.10 3 PLC ±0.050 4 PLC ±- ANGLES ±2° | | PRODUCT SPEC 108-2143 | SIZE CAGE CODE DRAWING NO RESTRICTED TO | |
| MATERIAL FINISH | | APPLICATION SPEC 114-13101 | A3 00779 C-1761615 | - |
| | | WEIGHT - | SCALE - | SHEET 1 OF 6 REV A5 |
| CUSTOMER DRAWING | | | | |

THIS DRAWING IS UNPUBLISHED. RELEASED FOR PUBLICATION 20
 © COPYRIGHT 20 BY - ALL RIGHTS RESERVED.

| LOC | DIST | REVISIONS | | | | |
|-----|------|-------------|-------------|-----|------|--|
| P | LTR | DESCRIPTION | DATE | DWN | APVD | |
| GP | 00 | - | SEE SHEET 1 | - | - | |
| | | | | | | |
| | | | | | | |

- 1 MATERIAL:
 BASE, SPACER, COVER: THERMOPLASTIC
 PICK UP CAP: THERMOPLASTIC
 CONTACT: COPPER ALLOY
 SOLDER BALL: Sn/Pb FOR P/N 1761615-1 THRU 5-1761615-0
 Sn/Ag FOR P/N 5-1761615-1 THRU 9-1761615-9
- 2 FINISH:
 CONTACT: 0.00076 MIN GOLD OVER 0.00127 MIN NICKEL.
 (30µ" MIN GOLD OVER 50µ" MIN NICKEL)
- 3 SOLDER BALLS WILL NOT BE PERFECT
 SPHERICAL SHAPE DUE TO REFLOW ATTACHMENT.
- 4 CONTACTS IN ROWS A,C,E,G,J,K,M,P,R, AND T
 ARE SINGLE BEAM CONTACTS,
 TYPICALLY USED AS GROUND PINS.
 (NOTE: CONTACTS IN ROWS J & K ARE TIED
 TOGETHER [COMMONED]).
- 5 CONTACTS IN ROWS B,D,F,H,L,N,Q, AND S
 ARE DUAL BEAM CONTACTS,
 TYPICALLY USED AS SIGNAL PINS.
- 6 SPECIFIED POSITIONAL TOLERANCE DEFINES PAD TO PAD
 LOCATION WITHIN LAND PATTERN. POSITIONAL TOLERANCE
 OF LAND PATTERN TO FUDICIAL MARKS OR PCB DATUMS
 SHALL BE DEFINED BY CUSTOMER. FOR RECOMMENDED
 PRODUCT APPLICATION AND PCB DESIGN DETAILS, SEE
 APPLICATION SPEC 114-13101.
- 7 SOLDER PADS UNUSED, MAY BE OMITTED.
- 8 REFERENCE BOARD PATTERN FOR DIMENSIONS
 AND DETAILS NOT SHOWN.

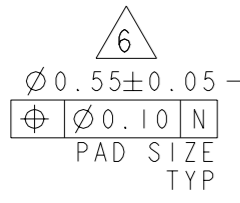
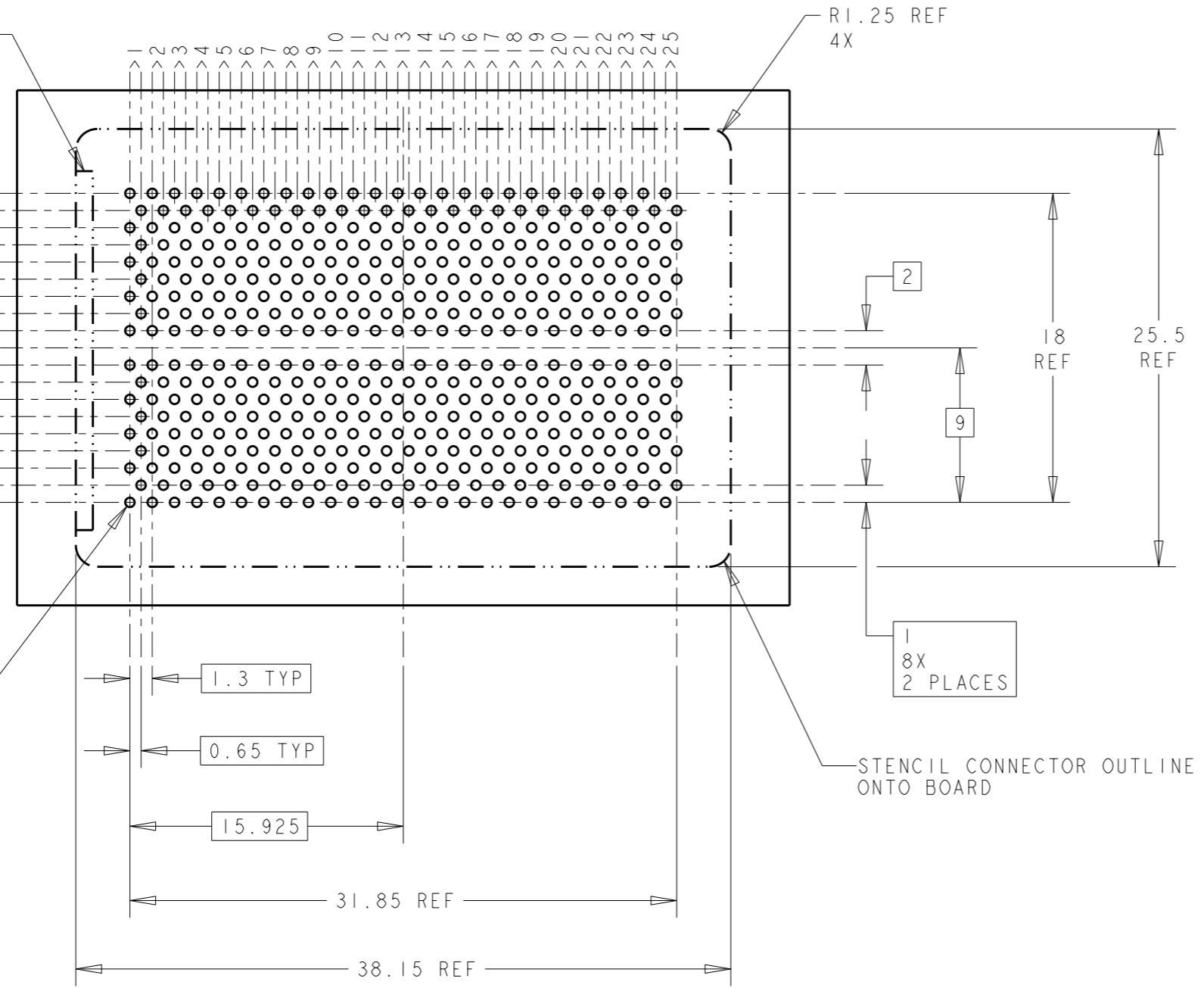
| DIM H | DIM G | LOAD STYLE | DESCRIPTION | PART NUMBER |
|-------|-------|----------------------------------|-------------|-------------|
| 14.51 | 20.65 | SELECT LOAD-112 POSN-SEE VIEW 35 | 15mm Sn/Ag | 8-1761615-5 |
| 14.51 | 20.65 | SELECT LOAD-104 POSN-SEE VIEW 32 | 15mm Sn/Ag | 8-1761615-2 |
| 4.51 | 10.65 | SELECT LOAD-104 POSN-SEE VIEW 31 | 5mm Sn/Ag | 8-1761615-1 |
| 14.51 | 20.65 | FULL LOAD-200 POSN | 15mm Sn/Ag | 6-1761615-5 |
| 10.51 | 16.65 | FULL LOAD-200 POSN | 11mm Sn/Ag | 6-1761615-1 |
| 4.51 | 10.65 | FULL LOAD-200 POSN | 5mm Sn/Ag | 5-1761615-5 |
| 14.51 | 20.65 | SELECT LOAD-120 POSN-SEE VIEW 33 | 15mm Sn/Pb | 3-1761615-3 |
| 14.51 | 20.65 | SELECT LOAD-104 POSN-SEE VIEW 32 | 15mm Sn/Pb | 3-1761615-2 |
| 4.51 | 10.65 | SELECT LOAD-104 POSN-SEE VIEW 31 | 5mm Sn/Pb | 3-1761615-1 |
| 14.51 | 20.65 | FULL LOAD-200 POSN | 15mm Sn/Pb | 1-1761615-5 |
| 10.51 | 16.65 | FULL LOAD-200 POSN | 11mm Sn/Pb | 1-1761615-1 |
| 4.51 | 10.65 | FULL LOAD-200 POSN | 5mm Sn/Pb | 1761615-5 |

| | | | | | |
|---|--|-------------------------------|---|--------------------|-------------------------|
| THIS DRAWING IS A CONTROLLED DOCUMENT. | | DWN P BRANDBERG 21DEC04 |  TE Connectivity | | |
| DIMENSIONS: mm | | CHK D WERTZ 05JAN05 | | | |
|  | | APVD D WERTZ 05JAN05 | NAME STEP-Z, RECEPTACLE ASSEMBLY, 200 SIGNAL POSITION | | |
| TOLERANCES UNLESS OTHERWISE SPECIFIED: 0 PLC ±- 1 PLC ±0.3 2 PLC ±0.10 3 PLC ±0.050 4 PLC ±- ANGLES ±2° | | PRODUCT SPEC 108-2143 | RESTRICTED TO | | |
| MATERIAL - FINISH - | | APPLICATION SPEC 114-13101 | SIZE A3 | CAGE CODE 00779 | DRAWING NO C-1761615 |
| | | WEIGHT - | | | |
| | | CUSTOMER DRAWING | SCALE - | SHEET 2 OF 6 | REV A5 |

THIS DRAWING IS UNPUBLISHED. RELEASED FOR PUBLICATION 20
 © COPYRIGHT 20 BY - ALL RIGHTS RESERVED.

| LOC | DIST | REVISIONS | | | | |
|-----|------|-------------|------|-----|------|--|
| P | LTR | DESCRIPTION | DATE | DWN | APVD | |
| GP | 00 | SEE SHEET 1 | - | - | - | |
| | | | | | | |
| | | | | | | |

KEY ORIENTATION
SILK-SCREEN
(OPTIONAL)



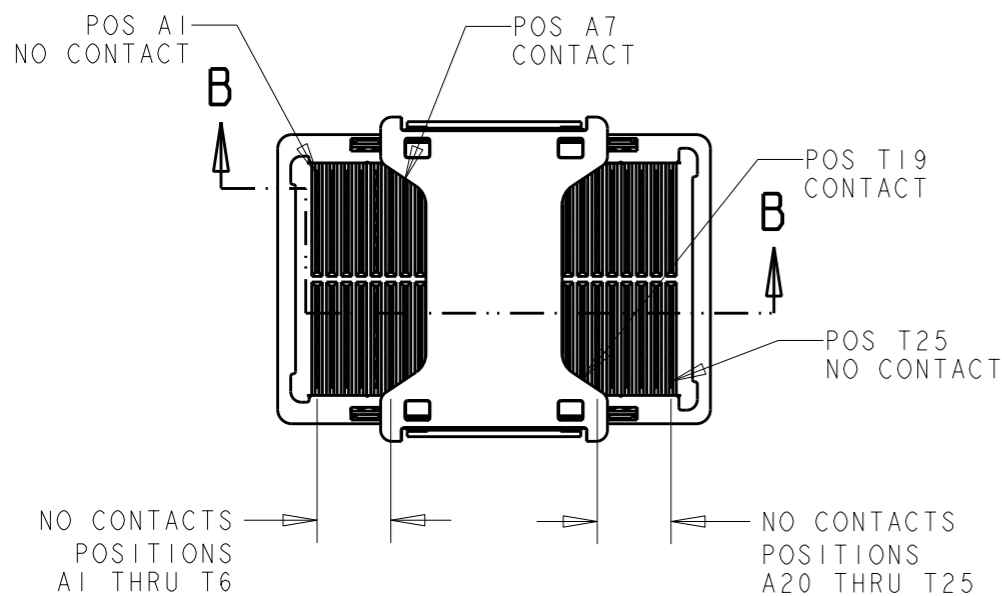
4 5 BOARD PATTERN
SCALE 3:1

| | | | | | |
|--|--|----------------------------|--|---|--|
| THIS DRAWING IS A CONTROLLED DOCUMENT. | | DWN P BRANDBERG 21DEC04 | | TE Connectivity | |
| DIMENSIONS: mm | | CHK D WERTZ 05JAN05 | | | |
| TOLERANCES UNLESS OTHERWISE SPECIFIED: | | APVD D WERTZ 05JAN05 | | NAME STEP-Z, RECEPTACLE ASSEMBLY, 200 SIGNAL POSITION | |
| 0 PLC ±- | | PRODUCT SPEC 108-2143 | | SIZE A3 | |
| 1 PLC ±0.3 | | APPLICATION SPEC 114-13101 | | CAGE CODE 00779 | |
| 2 PLC ±0.10 | | WEIGHT - | | DRAWING NO C-1761615 | |
| 3 PLC ±0.050 | | CUSTOMER DRAWING | | RESTRICTED TO - | |
| 4 PLC ±- | | SCALE - | | SHEET 3 OF 6 | |
| 4 ANGLES ±2° | | FINISH - | | REV A5 | |

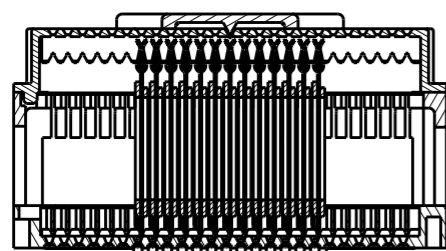
THIS DRAWING IS UNPUBLISHED. RELEASED FOR PUBLICATION 20

© COPYRIGHT 20 BY - ALL RIGHTS RESERVED.

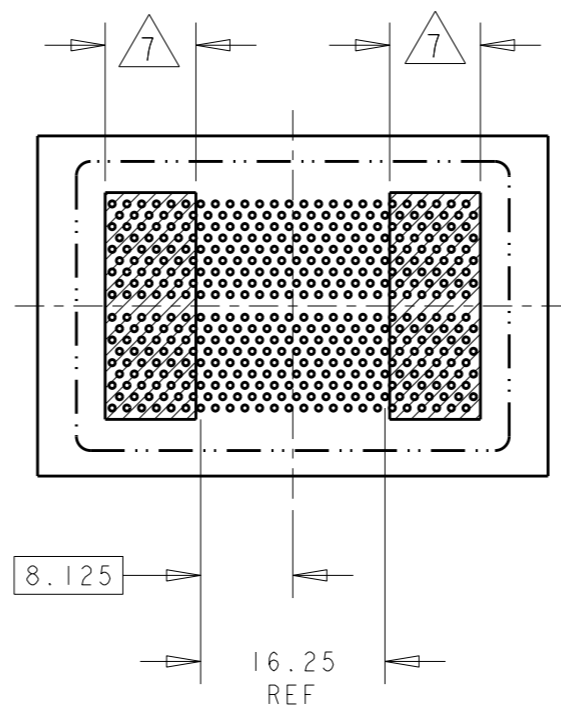
| LOC | DIST | REVISIONS | | | | |
|-----|------|-------------|-------------|-----|------|--|
| P | LTR | DESCRIPTION | DATE | DWN | APVD | |
| GP | 00 | - | SEE SHEET 1 | - | - | |
| | | | | | | |
| | | | | | | |



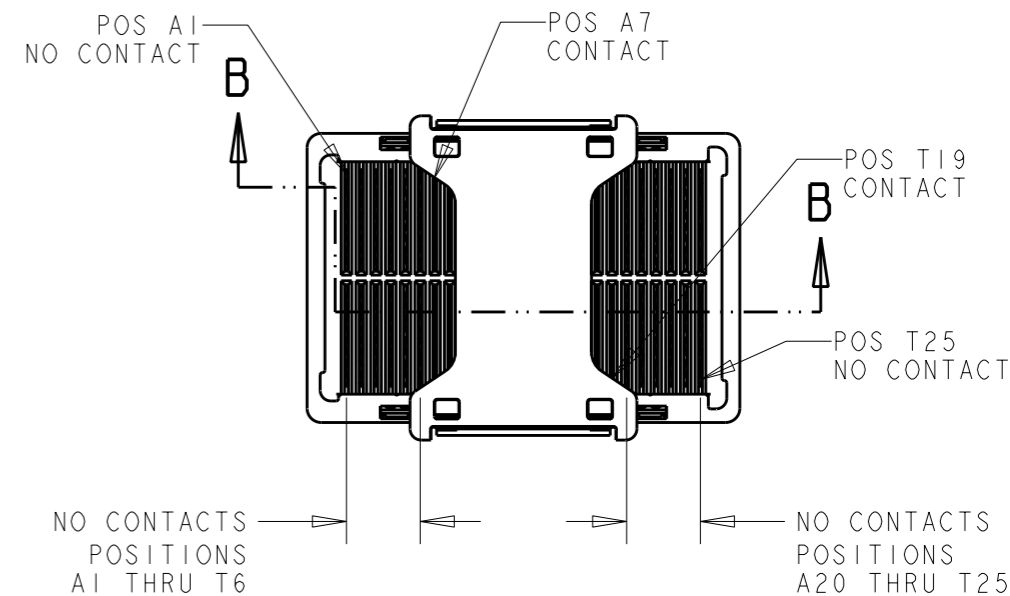
VIEW 32
SELECT LOAD 15mm 104 POSITION
SCALE 3:2



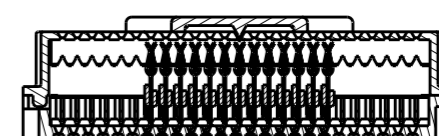
SECTION B-B




VIEW 31 & VIEW 32
SELECT LOAD 104 POSITION
BOARD PATTERN
SCALE 3:2



VIEW 31
SELECT LOAD 5mm 104 POSITION
SCALE 3:2



SECTION B-B

| | | | | |
|---|--|-------------------------------|---|-------------------------|
| THIS DRAWING IS A CONTROLLED DOCUMENT. | | DWN P BRANDBERG 21DEC04 |  TE Connectivity | |
| DIMENSIONS: mm | | CHK D WERTZ 05JAN05 | | |
| TOLERANCES UNLESS OTHERWISE SPECIFIED: | | APVD D WERTZ 05JAN05 | NAME STEP-Z, RECEPTACLE ASSEMBLY, 200 SIGNAL POSITION | |
| 0 PLC ±- 1 PLC ±0.3 2 PLC ±0.10 3 PLC ±0.050 4 PLC ±- ANGLES ±2° | | PRODUCT SPEC 108-2143 | SIZE A3 | |
| MATERIAL - | | APPLICATION SPEC 114-13101 | CAGE CODE 00779 | DRAWING NO C-1761615 |
| FINISH - | | WEIGHT - | RESTRICTED TO - | |
| | | CUSTOMER DRAWING | SCALE - | SHEET 4 OF 6 REV A5 |

4

3

2

1

THIS DRAWING IS UNPUBLISHED.

RELEASED FOR PUBLICATION

20

© COPYRIGHT 20

BY -

ALL RIGHTS RESERVED.

LOC
GPDIST
00

REVISIONS

| P | LTR | DESCRIPTION | DATE | DWN | APVD |
|---|-----|-------------|------|-----|------|
| - | - | SEE SHEET 1 | - | - | - |

POS A1
NO CONTACT

POS A6
CONTACT

POS T20
CONTACT

POS T25
NO CONTACT

NO CONTACTS
POSITIONS
A1 THRU T5

NO CONTACTS
POSITIONS
A21 THRU T25

VIEW 33
SELECT LOAD 15mm 120 POSITION
SCALE 3:2

SECTION B-B

9.425

18.85
REF

VIEW 33
SELECT LOAD 120 POSITION
BOARD PATTERN
SCALE 3:2

A1
GROUND

A2
GROUND

A3
GROUND

B1
SIGNAL/GROUND

C1
GROUND

D1
SIGNAL/GROUND

B3-B4
DIFFERENTIAL PAIR
TYPICAL

RECEPTACLE INTERFACE

SCALE 8:1

THIS DRAWING IS A CONTROLLED DOCUMENT.

DWN
P BRANDBERG 21DEC04CHK
D WERTZ 05JAN05APVD
D WERTZ 05JAN05

PRODUCT SPEC

108-2143

APPLICATION SPEC

114-13101

WEIGHT -

CUSTOMER DRAWING

TE Connectivity

NAME
STEP-Z, RECEPTACLE ASSEMBLY,
200 SIGNAL POSITION

SIZE CAGE CODE DRAWING NO RESTRICTED TO

A3 00779 C-1761615 -

SCALE SHEET 5 OF 6 REV A5

DIMENSIONS:
mmTOLERANCES UNLESS
OTHERWISE SPECIFIED:

| | |
|--------|--------|
| 0 PLC | ±- |
| 1 PLC | ±0.3 |
| 2 PLC | ±0.10 |
| 3 PLC | ±0.050 |
| 4 PLC | ±- |
| ANGLES | ±2° |

MATERIAL -

FINISH -

1470-19 (3/11)

THIS DRAWING IS UNPUBLISHED.

RELEASED FOR PUBLICATION

20

© COPYRIGHT 20 BY -

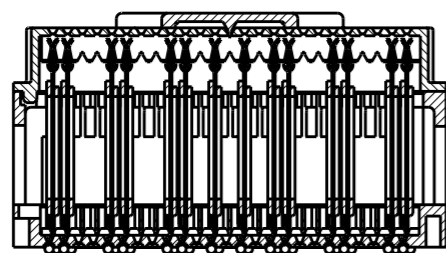
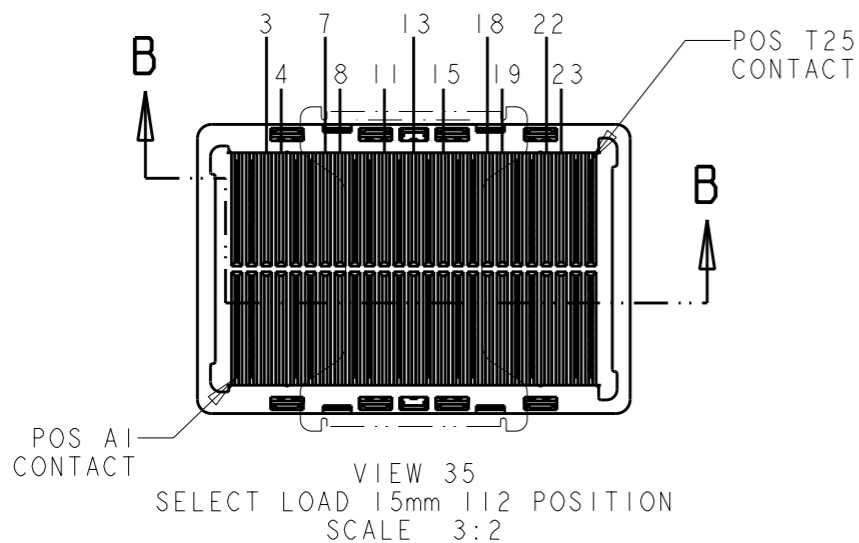
ALL RIGHTS RESERVED.

LOC GP DIST 00

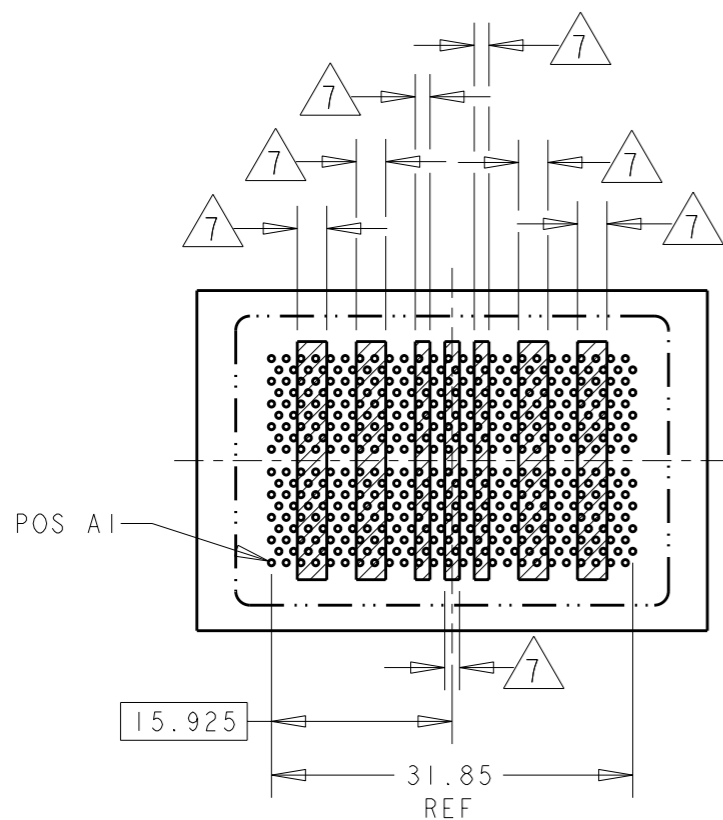
REVISIONS

| P | LTR | DESCRIPTION | DATE | DWN | APVD |
|---|-----|-------------|------|-----|------|
| - | - | SEE SHEET 1 | - | - | - |

NO CONTACTS IN THESE COLUMNS



SECTION B-B



VIEW 35
SELECT LOAD 112 POSITION
BOARD PATTERN
SCALE 3:2

THIS DRAWING IS A CONTROLLED DOCUMENT.

| DIMENSIONS: | TOLERANCES UNLESS OTHERWISE SPECIFIED: |
|-------------|--|
| mm | |
| | 0 PLC ±- |
| | 1 PLC ±0.3 |
| | 2 PLC ±0.10 |
| | 3 PLC ±0.050 |
| | 4 PLC ±- |
| | ANGLES ±2° |

MATERIAL - FINISH -

| | | |
|------------------|-------------|---------|
| DWN | P BRANDBERG | 21DEC04 |
| CHK | D WERTZ | 05JAN05 |
| APVD | D WERTZ | 05JAN05 |
| PRODUCT SPEC | 108-2143 | |
| APPLICATION SPEC | 114-13101 | |
| WEIGHT | - | |

CUSTOMER DRAWING



| | | | | |
|---|-----------|------------|-----|---------------|
| NAME STEP-Z, RECEPTACLE ASSEMBLY, 200 SIGNAL POSITION | | | | RESTRICTED TO |
| SIZE | CAGE CODE | DRAWING NO | | |
| A3 | 00779 | C-1761615 | | |
| SCALE | SHEET | OF | REV | |
| - | 6 | 6 | A5 | |



Компания «ЭлектроПласт» предлагает заключение долгосрочных отношений при поставках импортных электронных компонентов на взаимовыгодных условиях!

Наши преимущества:

- Оперативные поставки широкого спектра электронных компонентов отечественного и импортного производства напрямую от производителей и с крупнейших мировых складов;
- Поставка более 17-ти миллионов наименований электронных компонентов;
- Поставка сложных, дефицитных, либо снятых с производства позиций;
- Оперативные сроки поставки под заказ (от 5 рабочих дней);
- Экспресс доставка в любую точку России;
- Техническая поддержка проекта, помощь в подборе аналогов, поставка прототипов;
- Система менеджмента качества сертифицирована по Международному стандарту ISO 9001;
- Лицензия ФСБ на осуществление работ с использованием сведений, составляющих государственную тайну;
- Поставка специализированных компонентов (Xilinx, Altera, Analog Devices, Intersil, Interpoint, Microsemi, Aeroflex, Peregrine, Syfer, Eurofarad, Texas Instrument, Miteq, Cobham, E2V, MA-COM, Hittite, Mini-Circuits, General Dynamics и др.);

Помимо этого, одним из направлений компании «ЭлектроПласт» является направление «Источники питания». Мы предлагаем Вам помощь Конструкторского отдела:

- Подбор оптимального решения, техническое обоснование при выборе компонента;
- Подбор аналогов;
- Консультации по применению компонента;
- Поставка образцов и прототипов;
- Техническая поддержка проекта;
- Защита от снятия компонента с производства.



Как с нами связаться

Телефон: 8 (812) 309 58 32 (многоканальный)

Факс: 8 (812) 320-02-42

Электронная почта: org@eplast1.ru

Адрес: 198099, г. Санкт-Петербург, ул. Калинина, дом 2, корпус 4, литера А.