

PLEASE CHECK WWW.MOLEX.COM FOR LATEST PART INFORMATION

Part Number: [0536471674](#)
Status: **Active**
Overview: [slimstack_0635mm_025_pitch](#)
Description: 0.635mm (.025") Pitch SlimStack™ Header, Surface Mount, Dual Row, Vertical Stacking, 8.00 and 14.00mm (.315 and .551") Stacking Heights, Lead-free, 160 Circuits, with Embossed Tape with Cover Packaging

Documents:

[3D Model](#)
[Drawing \(PDF\)](#)

[RoHS Certificate of Compliance \(PDF\)](#)

General

Product Family	PCB Headers
Series	53647
Application	Board-to-Board
Comments	Stacking-Type
Overview	slimstack_0635mm_025_pitch
Product Name	SlimStack™

Physical

Breakaway	No
Circuits (Loaded)	160
Color - Resin	Brown
Durability (mating cycles max)	50
First Mate / Last Break	No
Glow-Wire Compliant	No
Guide to Mating Part	No
Keying to Mating Part	None
Lock to Mating Part	Yes
Mated Height (in)	0.315 In, 0.551 In
Mated Height (mm)	14.00 mm, 8.00 mm
Material - Metal	Brass, Phosphor Bronze, Stainless Steel
Material - Plating Mating	Gold
Material - Plating Termination	Tin
Number of Rows	2
Orientation	Vertical
PCB Locator	Yes
PCB Retention	Yes
Packaging Type	Embossed Tape on Reel
Pitch - Mating Interface (in)	0.025 In
Pitch - Mating Interface (mm)	0.64 mm
Polarized to PCB	Yes
Robotic Placement	Metal Cap
Stackable	No
Temperature Range - Operating	-55°C to +85°C
Termination Interface: Style	Surface Mount

Electrical

Current - Maximum per Contact	0.5A
Voltage - Maximum	100V

Material Info

Reference - Drawing Numbers

Sales Drawing	SD-53647-002, SD-53647-005
---------------	----------------------------

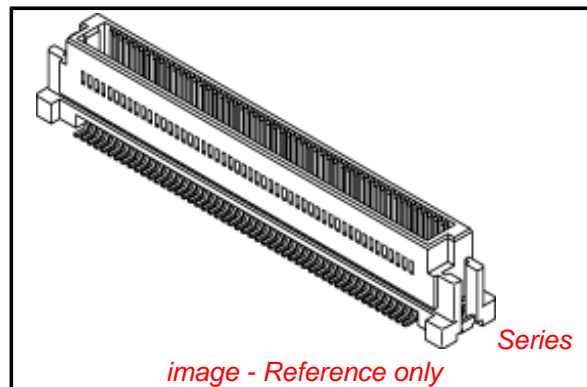


image - Reference only

EU RoHS

**ELV and RoHS
Compliant**
**REACH SVHC
Contains SVHC: No**
**Halogen-Free
Status**

China RoHS



Not Reviewed

**Need more information on product
environmental compliance?**

Email productcompliance@molex.com
 For a multiple part number RoHS Certificate of Compliance, [click here](#)

Please visit the [Contact Us](#) section for any non-product compliance questions.

Search Parts in this Series

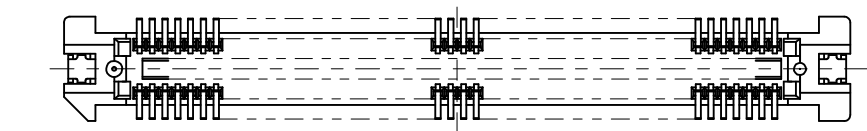
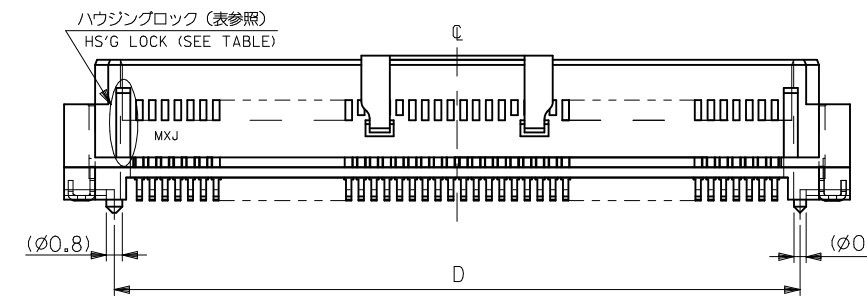
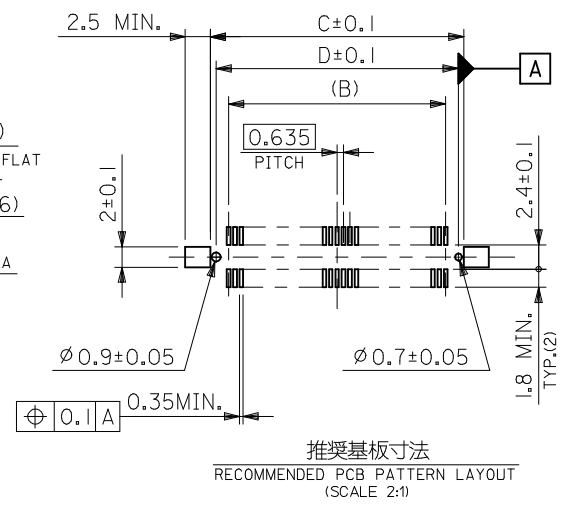
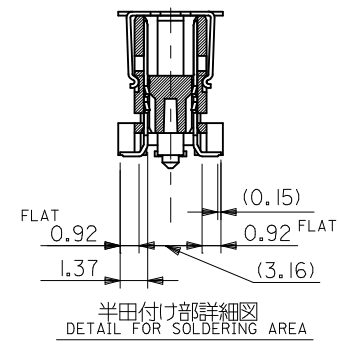
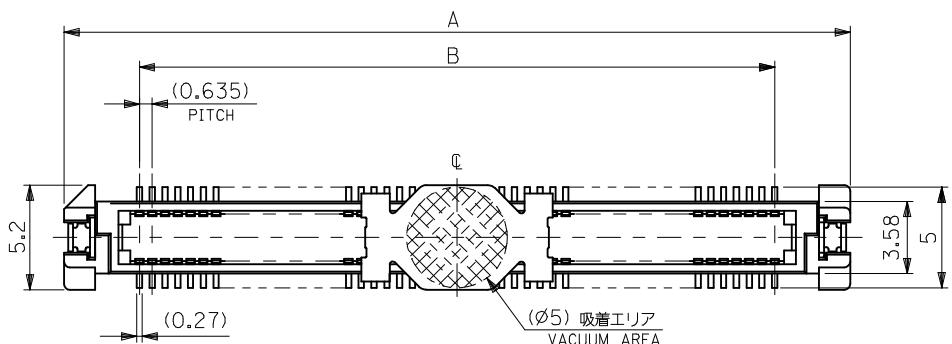
[53647Series](#)

Mates With

SlimStack™ Receptacle [52760](#) , [52837](#) ,
[52885](#) , [52901](#)

This document was generated on 05/26/2010

PLEASE CHECK WWW.MOLEX.COM FOR LATEST PART INFORMATION



注) NOTES

- 材質
 MATERIAL
 ハウジング: ガラス入りPPS、茶色、UL 94V-0
 HOUSING: G.F.PPS, BROWN, UL 94V-0
 ターミナル: 銅合金 (t=0.2)
 TERMINAL: COPPER ALLOY
 吸着カバー: ステンレス (t=0.2)
 VACUUM COVER: STAINLESS STEEL
- メッキ仕様
 PLATING
 接点部: 金メッキ 0.25μmMIN.
 CONTACT AREA: GOLD 0.25 MICROMETER MIN.
 半田付け部: 錫メッキ 1.0μmMIN.
 SOLDER TAIL AREA: TIN 1.0 MICROMETER MIN.
 下地メッキ: ニッケルメッキ 1.5μmMIN.
 UNDER-PLATING: NICKEL 1.5 MICROMETER MIN.
- テールのバラッキ寸法
 TAIL COPLANARITY
 テール平坦度は、0.1 MAX.とする。
 TAILS COPLANARITY TO BE 0.1MAX.
- 本製品は 53647-***2 の鉛フリー品である。
 THIS PRODUCT IS LEAD FREE OF 53647-***2.

材料 MATERIAL	注) 参照 SEE NOTES
仕上げ FINISH	注) 参照 SEE NOTES
適用電線範囲 WIRE RANGE	— # —
被覆外径 INS. RANGE	— # —

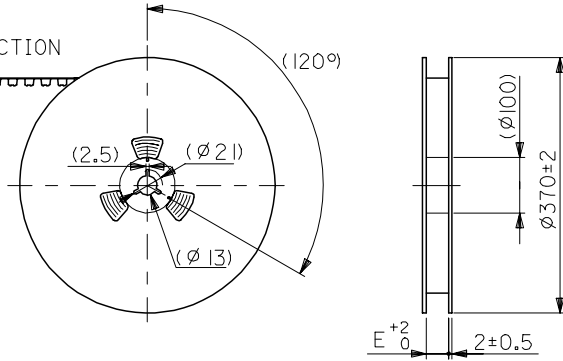
REVISED	EC NO: J2009-1336
DRW: WYOSHIDAM	2008/12/19
CHKD: HARUYAMA	2008/12/19
APPR: NUKITA	2009/01/16

GENERAL TOLERANCES (UNLESS SPECIFIED)	
10 UNDER	±0.2
10 OVER 30 UNDER	±0.25
30 OVER	±0.3
ANGULAR ±3°	
DRAFT WHERE APPLICABLE MUST REMAIN WITHIN DIMENSIONS	

無し NO	52.67	53.77	50.165	57.67	53647-1674	53647-1675	53647-1609	160
	46.32	47.42	43.815	51.32	53647-1474	53647-1475	53647-1409	140
	39.97	41.07	37.465	44.97	53647-1274	53647-1275	53647-1209	120
	33.62	34.72	31.115	38.62	53647-1074	53647-1075	53647-1009	100
	27.27	28.37	24.765	32.27	53647-0874	53647-0875	53647-0809	80
有り YES	20.92	22.02	18.415	25.92	53647-0674	53647-0675	53647-0609	60
	14.57	15.67	12.065	19.57	53647-0474	53647-0475	53647-0409	40
	11.4	12.5	8.89	16.4	53647-0374	53647-0375	53647-0309	30
	8.22	9.32	5.715	13.22	53647-0274	53647-0275	53647-0209	20
ハウジングロック HS'G LOCK	D	C	B	A	エンボス梱包 EMBOSSED PACKAGING	スティック梱包 STICK PACKAGING	製品番号 MATERIAL NO.	極数 CKT. NO.

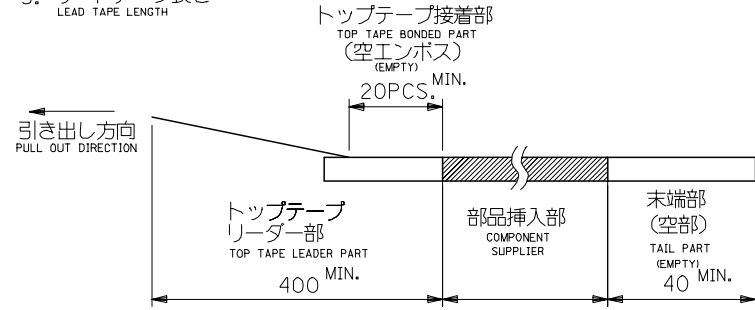
DIMENSION STYLE		SCALE	DESIGN UNITS	THIRD ANGLE PROJECTION
MM ONLY		---	METRIC	☉
DRAWN BY	DATE	TITLE		
Y. WADA	'04/02/27	0.635 PITCH B-T0-B PLUG HS'G COVER ASS'Y -LEAD FREE-		
CHECKED BY	DATE	MOLEX INCORPORATED		
M. SASAO	'04/02/27			
APPROVED BY	DATE	DOCUMENT NO.		
M. SASAO	'04/02/27	SD-53647-002		
MATERIAL NO.		SEE CHART		SHEET NO.
				1 OF 1
SIZE A3 THIS DRAWING CONTAINS INFORMATION THAT IS PROPRIETARY TO MOLEX INCORPORATED AND SHOULD NOT BE USED WITHOUT WRITTEN PERMISSION				

引き出し方向
PULL OUT DIRECTION

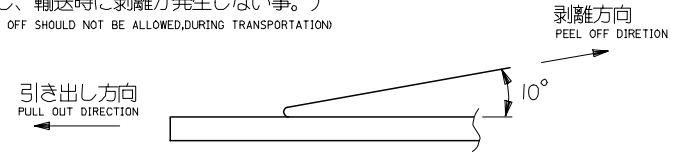


注)
NOTES

- 製品番号 53647-1609 の詳細寸法については、製品単体図面を参照下さい。
IN THE PACKAGE, PART NO. 53647-1609 DETAILED DIMENSIONS, SEE PRODUCT DRAWING.
- 梱包数量 : 750 個/リール
NUMBER OF CONNECTORS : 750 PCS/REEL
- リードテープ長さ
LEAD TAPE LENGTH



- トップテープの剥離強度 (剥離方向は下図参照)
PEELING OFF FORCE OF TOP TAPE (PEELING DIRECTION AS SHOWN IN FOLLOWING FIG.)
0.1~1.3N {10~130gf}
尚、本規格値は、出荷時に適用。
THIS REQUIREMENT SHOULD BE APPLIED AT SHIPMENT
(但し、輸送時に剥離が発生しない事。)
(PEEL OFF SHOULD NOT BE ALLOWED DURING TRANSPORTATION)



- 材料
MATERIAL
キャリアテープ : ポリプロピレン (PP)
CARRIER TAPE : POLYPROPYLENE (PP)
トップテープ : PET, PE, PEF
TOP TAPE : PET, PE, PEF
リール : 紙
REEL : CARD BOARD
- 本製品は 53647-1604 の鉛フリー品である。
THIS PRODUCT IS LEAD FREE OF 53647-1604.

53647-1674	MODEL NO.
DESIGN UNITS METRIC	THIRD ANGLE PROJECTION

RELEASED EC NO: J2005-3695 DRWN: MABE I 2005/06/13 CHKD: KTOYODA 2005/06/14 APPR: NUKITA 2005/06/21 REV: 0	GENERAL TOLERANCES (UNLESS SPECIFIED)		DIMENSION STYLE MM ONLY		SCALE ---	TITLE 53647-1609 TAPING PACKAGE -LEAD FREE-	
	10 UNDER	± ---	DRAWN BY M. NABE I	DATE '05/06/10	MOLEX INCORPORATED DOCUMENT NO. SD-53647-005 SHEET NO. 1 OF 2		
	10 OVER 30 UNDER	± ---	CHECKED BY K. TOYODA	DATE '05/06/10			
	30 OVER	± ---	APPROVED BY N. UKITA	DATE '05/06/10			
ANGULAR ± --- °		MATERIAL NO. SEE CHART		DOCUMENT NO. SD-53647-005		SHEET NO. 1 OF 2	
DRAFT WHERE APPLICABLE MUST REMAIN WITHIN DIMENSIONS		SIZE A3 THIS DRAWING CONTAINS INFORMATION THAT IS PROPRIETARY TO MOLEX INCORPORATED AND SHOULD NOT BE USED WITHOUT WRITTEN PERMISSION					

10 9 8 7 6 5 4 3 2 1

F
E
D
C
B
A

F
E
D
C
B
A

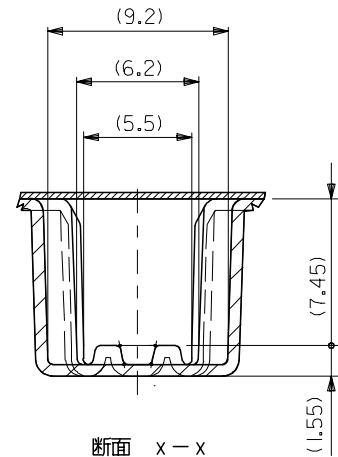
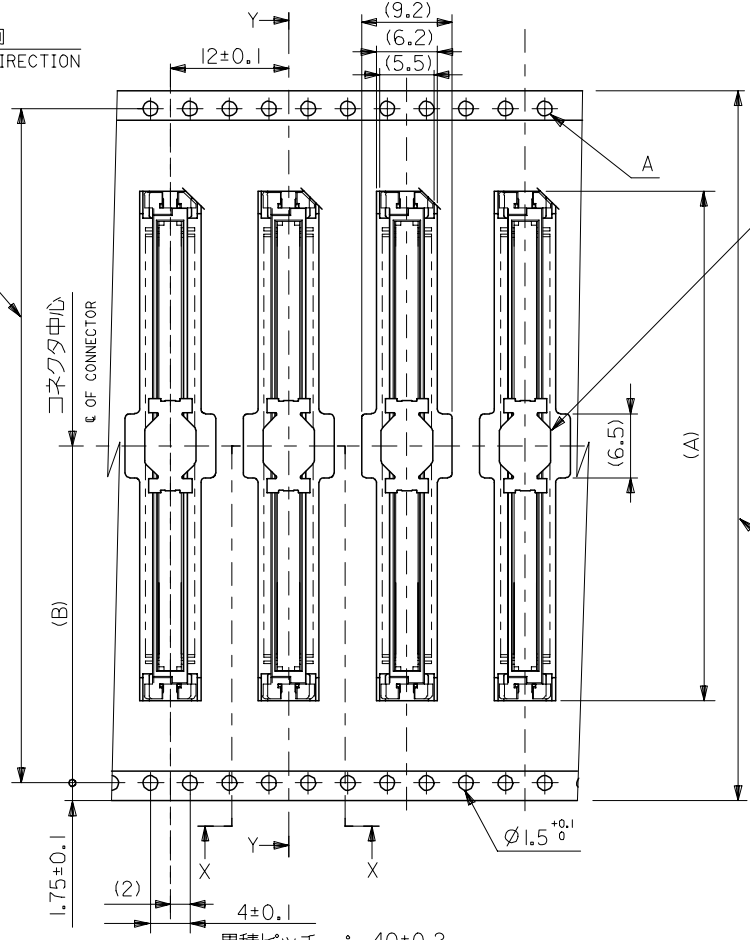
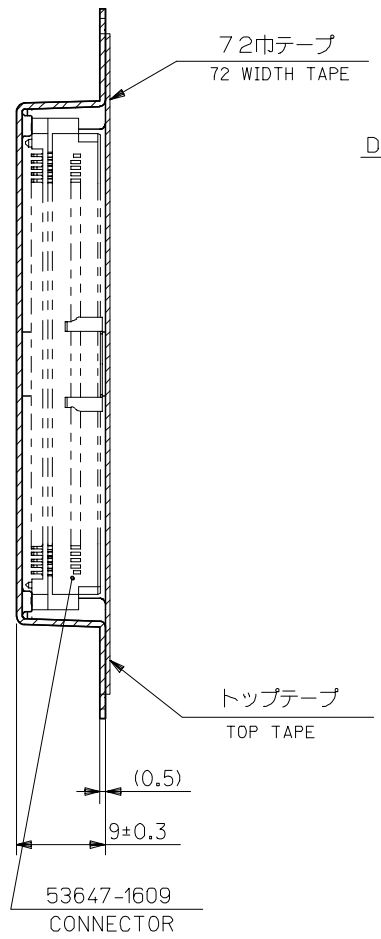
引き出し方向
PULL OUT DIRECTION

72巾テープ
72 WIDTH TAPE

トップテープ
TOP TAPE

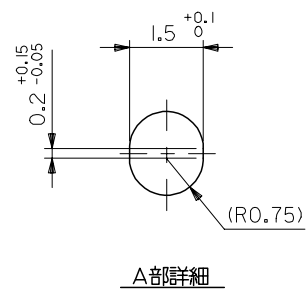
吸着プレート
PICK-AND-PLACE PLATE

断面 X-X
SECTION X-X



累積ピッチ : 40±0.2
ACCUMULATIVE PITCH : 40±0.2

断面 Y-Y
SECTION Y-Y



72.4	68.4±0.2	72 ^{+0.3}	(34.2)	58.0	53647-1674	160
E	D	C	(B)	(A)	MATERIAL NO.	極数 NO. OF CXTS.

RELEASED EC NO: J2005-3695 DRAWN: MABEI 2005/06/13 CHK'D: K. TOYODA 2005/06/14 APPR: NUKITA 2005/06/21 REV: 0	GENERAL TOLERANCES (UNLESS SPECIFIED)		DIMENSION STYLE MM ONLY		SCALE ---	DESIGN UNITS METRIC	THIRD ANGLE PROJECTION
	10 UNDER	± ---	DRAWN BY M. NABEI	DATE '05/06/10	TITLE 53647-1609 TAPING PACKAGE -LEAD FREE-		
	10 OVER 30 UNDER	± ---	CHECKED BY K. TOYODA	DATE '05/06/10	MOLEX INCORPORATED		
	30 OVER	± ---	APPROVED BY N. UKITA	DATE '05/06/10	DOCUMENT NO. SD-53647-005	SHEET NO. 2 OF 2	
	ANGULAR ± --- °		MATERIAL NO. SEE CHART				
DRAFT WHERE APPLICABLE MUST REMAIN WITHIN DIMENSIONS		THIS DRAWING CONTAINS INFORMATION THAT IS PROPRIETARY TO MOLEX INCORPORATED AND SHOULD NOT BE USED WITHOUT WRITTEN PERMISSION					



Компания «ЭлектроПласт» предлагает заключение долгосрочных отношений при поставках импортных электронных компонентов на взаимовыгодных условиях!

Наши преимущества:

- Оперативные поставки широкого спектра электронных компонентов отечественного и импортного производства напрямую от производителей и с крупнейших мировых складов;
- Поставка более 17-ти миллионов наименований электронных компонентов;
- Поставка сложных, дефицитных, либо снятых с производства позиций;
- Оперативные сроки поставки под заказ (от 5 рабочих дней);
- Экспресс доставка в любую точку России;
- Техническая поддержка проекта, помощь в подборе аналогов, поставка прототипов;
- Система менеджмента качества сертифицирована по Международному стандарту ISO 9001;
- Лицензия ФСБ на осуществление работ с использованием сведений, составляющих государственную тайну;
- Поставка специализированных компонентов (Xilinx, Altera, Analog Devices, Intersil, Interpoint, Microsemi, Aeroflex, Peregrine, Syfer, Eurofarad, Texas Instrument, Miteq, Cobham, E2V, MA-COM, Hittite, Mini-Circuits, General Dynamics и др.);

Помимо этого, одним из направлений компании «ЭлектроПласт» является направление «Источники питания». Мы предлагаем Вам помощь Конструкторского отдела:

- Подбор оптимального решения, техническое обоснование при выборе компонента;
- Подбор аналогов;
- Консультации по применению компонента;
- Поставка образцов и прототипов;
- Техническая поддержка проекта;
- Защита от снятия компонента с производства.



Как с нами связаться

Телефон: 8 (812) 309 58 32 (многоканальный)

Факс: 8 (812) 320-02-42

Электронная почта: org@eplast1.ru

Адрес: 198099, г. Санкт-Петербург, ул. Калинина, дом 2, корпус 4, литера А.