



## Main

|                                       |   |
|---------------------------------------|---|
| Range of product                      | Phaseo  |
| Product or component type             | Power supply  |
| Power supply type                     | Regulated switch mode   |
| Input voltage                         | 100...240 V AC phase to phase, terminal(s): L1-L2<br>100...240 V AC single phase, terminal(s): N-L1<br>120...250 V DC |
| Output voltage                        | 24 V DC   |
| Rated power in W                      | 7 W   |
| Input protection type                 | Integrated fuse (not interchangeable)   |
| Power supply output current           | 0.3 A   |
| Output protection type                | Against short-circuits<br>Thermal   |
| Ambient air temperature for operation | -13...131 °F (-25...55 °C) without<br>55...70 °C with   |

## Complementary

|                          |  |
|--------------------------|--|
| Input voltage limits     | 85...264 V   |
| Network frequency        | 47...63 Hz   |
| Inrush current           | 20 A   |
| Cos phi                  | 0.5  |
| Efficiency               | 78 %   |
| Output voltage limits    | 22.2...28.8 V adjustable   |
| Power dissipation in W   | 2 W  |
| Current consumption      | 0.18 A at 240 V<br>0.25 A at 100 V   |
| Line and load regulation | +/- 3 %  |
| Residual ripple          | 250 mV   |
| Holding time             | >= 10 ms at 100 V<br>>= 150 ms at 230 V  |
| Connections - terminals  | Screw type terminals input connection, connection capacity: 2 x 0.14...2 x 2.5 mm <sup>2</sup><br>AWG 26...AWG 14<br>Screw type terminals output connection, connection capacity: 2 x 0.14...2 x 2.5 mm <sup>2</sup><br>AWG 26...AWG 14  |
| Marking                  | CE   |
| Mounting support         | 35 x 15 mm symmetrical DIN rail<br>35 x 7.5 mm symmetrical DIN rail<br>Panel 2 screws, diameter : 4 mm   |
| Operating position       | Vertical   |
| Operating altitude       | 6561.68 ft (2000 m)  |
| Output coupling          | Parallel<br>Series   |
| Name of test             | Conducted emissions on the power line conforming to EN 55022 Class B<br>Electrostatic discharges conforming to EN/IEC 61000-4-2<br>Emission conforming to EN 50081-1<br>Induced electromagnetic field conforming to EN/IEC 61000-4-6<br>Primary outage conforming to IEC 61000-4-11<br>Radiated electromagnetic field conforming to EN/IEC 61000-4-3<br>Radiated emissions conforming to EN 55022 Class B<br>Rapid transient conforming to IEC 61000-4-4<br>Surge conforming to EN/IEC 61000-4-5<br>Harmonic current emission conforming to EN/IEC 61000-3-2 |
| Status LED               | 1 LED green output voltage   |
| Depth                    | 2.32 in (59 mm)  |
| Height                   | 3.94 in (100 mm)   |

The information provided in this documentation contains general descriptions and/or technical characteristics of the performance of the products contained herein. This documentation is not intended as a substitute for and is not to be used for determining suitability or reliability of these products for specific user applications. It is the duty of any such user or integrator to perform the appropriate and complete risk analysis, evaluation and testing of the products with respect to the relevant specific application or use thereof. Neither Schneider Electric Industries SAS nor any of its affiliates or subsidiaries shall be responsible or liable for misuse of the information contained herein.

|                |                      |
|----------------|----------------------|
| Width          | 1.42 in (36 mm)      |
| Product weight | 0.22 lb(US) (0.1 kg) |

## Environment

|                                     |  |
|-------------------------------------|--|
| product certifications              | CCSAus<br>CSA 22-2 No 950<br>CULus 508<br>TUV 60950-1<br>RCM<br>EAC<br>KC  |
| standards                           | UL 508<br>CSA C22.2 No 60950-1   |
| environmental characteristic        | EMC conforming to EN 55022 Class B<br>EMC conforming to EN 61000-6-3<br>EMC conforming to EN/IEC 61000-6-2<br>EMC conforming to EN/IEC 61204-3<br>Safety conforming to EN/IEC 60950-1<br>Safety conforming to SELV |
| IP degree of protection             | IP20 conforming to EN/IEC 60529  |
| ambient air temperature for storage | -40...158 °F (-40...70 °C)   |
| relative humidity                   | 0...90 % during operation<br>0...95 % in storage   |
| overvoltage category                | Class II conforming to VDE 0106-1  |
| dielectric strength                 | Between input and output   |
| MTBF reliability                    | 561085 H with MIL-HDBK-217F calculation method   |

## Offer Sustainability

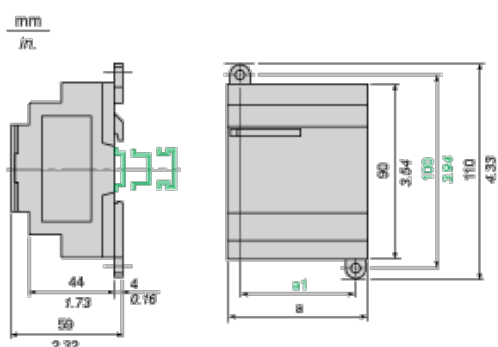
|  |  |
|--|--|
| WARNING: This product can expose you to chemicals including:   | WARNING: This product can expose you to chemicals including:   |
| Lead and lead compounds, which is known to the State of California to cause cancer and birth defects or other reproductive harm. | Lead and lead compounds, which is known to the State of California to cause cancer and birth defects or other reproductive harm. |
| For more information go to <a href="http://www.p65warnings.ca.gov">www.p65warnings.ca.gov</a>                                    | For more information go to <a href="http://www.p65warnings.ca.gov">www.p65warnings.ca.gov</a>                                    |

## Contractual warranty

|                 |           |
|-----------------|-----------|
| Warranty period | 18 months |
|-----------------|-----------|

## Regulated Switch Mode Power Supplies

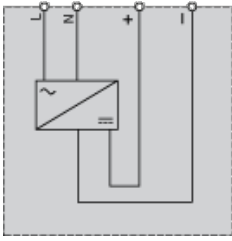
### Dimensions



|              | a in mm | a in in. | a1 in mm | a1 in in. |
|--------------|---------|----------|----------|-----------|
| ABL8MEM05040 | 54      | 2.12     | 42       | 1.65      |
| ABL8MEM12020 | 54      | 2.12     | 42       | 1.65      |
| ABL8MEM24003 | 36      | 1.41     | 24       | 0.94      |
| ABL8MEM24006 | 36      | 1.41     | 24       | 0.94      |
| ABL8MEM24012 | 54      | 2.12     | 42       | 1.65      |

## Regulated Switch Mode Power Supply

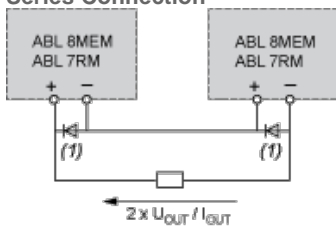
### Internal Wiring Diagram



## Regulated Switch Mode Power Supplies

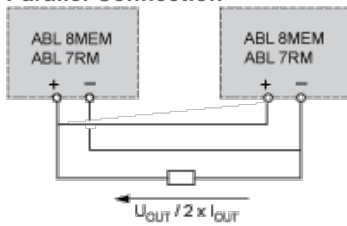
### Series or Parallel Connection

#### Series Connection



(1) Two Shottky diodes  $I_{min} = \text{power supply } I_n$  and  $V_{min} = 50 \text{ V}$

#### Parallel Connection



| Family       | Series          | Parallel        |
|--------------|-----------------|-----------------|
| ABL 7RM/8MEM | 2 products max. | 2 products max. |

Series or parallel connection is only recommended for products with identical references.

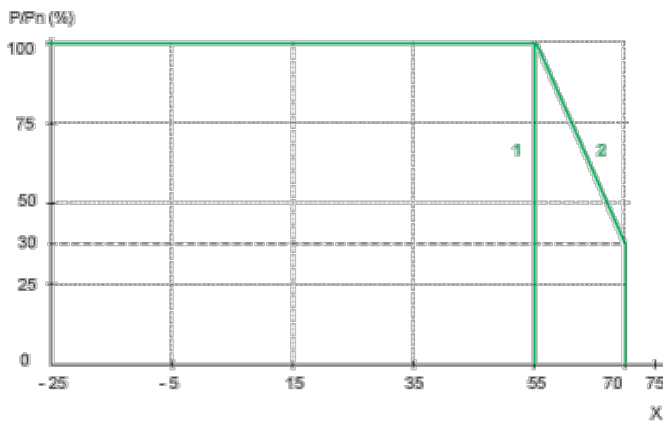
## Regulated Switch Mode Power Supplies

### Derating

The ambient temperature is a determining factor that limits the power an electronic power supply can deliver continuously. If the temperature around the electronic components is too high, their life will be significantly reduced.

The nominal ambient temperature for the Modular range of Phaseo power supplies is 55°C. Above this temperature, derating is necessary up to a maximum temperature of 70°C (except for the ABL7RM24025 model).

The graph below shows the power as a percentage of the nominal power that the power supply can deliver continuously, depending on the ambient temperature.



X Maximum operating temperature (°C)

(1) With an ABL7RM24025

(2) With an ABL8MEM.....



Компания «ЭлектроПласт» предлагает заключение долгосрочных отношений при поставках импортных электронных компонентов на взаимовыгодных условиях!

Наши преимущества:

- Оперативные поставки широкого спектра электронных компонентов отечественного и импортного производства напрямую от производителей и с крупнейших мировых складов;
- Поставка более 17-ти миллионов наименований электронных компонентов;
- Поставка сложных, дефицитных, либо снятых с производства позиций;
- Оперативные сроки поставки под заказ (от 5 рабочих дней);
- Экспресс доставка в любую точку России;
- Техническая поддержка проекта, помощь в подборе аналогов, поставка прототипов;
- Система менеджмента качества сертифицирована по Международному стандарту ISO 9001;
- Лицензия ФСБ на осуществление работ с использованием сведений, составляющих государственную тайну;
- Поставка специализированных компонентов (Xilinx, Altera, Analog Devices, Intersil, Interpoint, Microsemi, Aeroflex, Peregrine, Syfer, Eurofarad, Texas Instrument, Miteq, Cobham, E2V, MA-COM, Hittite, Mini-Circuits, General Dynamics и др.);

Помимо этого, одним из направлений компании «ЭлектроПласт» является направление «Источники питания». Мы предлагаем Вам помощь Конструкторского отдела:

- Подбор оптимального решения, техническое обоснование при выборе компонента;
- Подбор аналогов;
- Консультации по применению компонента;
- Поставка образцов и прототипов;
- Техническая поддержка проекта;
- Защита от снятия компонента с производства.



#### Как с нами связаться

**Телефон:** 8 (812) 309 58 32 (многоканальный)

**Факс:** 8 (812) 320-02-42

**Электронная почта:** [org@eplast1.ru](mailto:org@eplast1.ru)

**Адрес:** 198099, г. Санкт-Петербург, ул. Калинина, дом 2, корпус 4, литера А.