

| REVISIONS | | | | |
|-----------|---------|-------------|----------|----------|
| REV. | ECN/E-R | DESCRIPTION | DATE | APPROVED |
| A | | PROPOSAL | JUL22/09 | |
| | | | | |
| | | | | |



MATERIAL:
COPPER ALLOY

PLATING OPTION Y=2:
2.54um MIN. NICKEL

PLATING OPTION Y=3:
3.81um MIN. MATTE TIN
OVER 1.27um MIN. NICKEL.

LIGHT PIPE:
CLEAR POLYCARBONATE

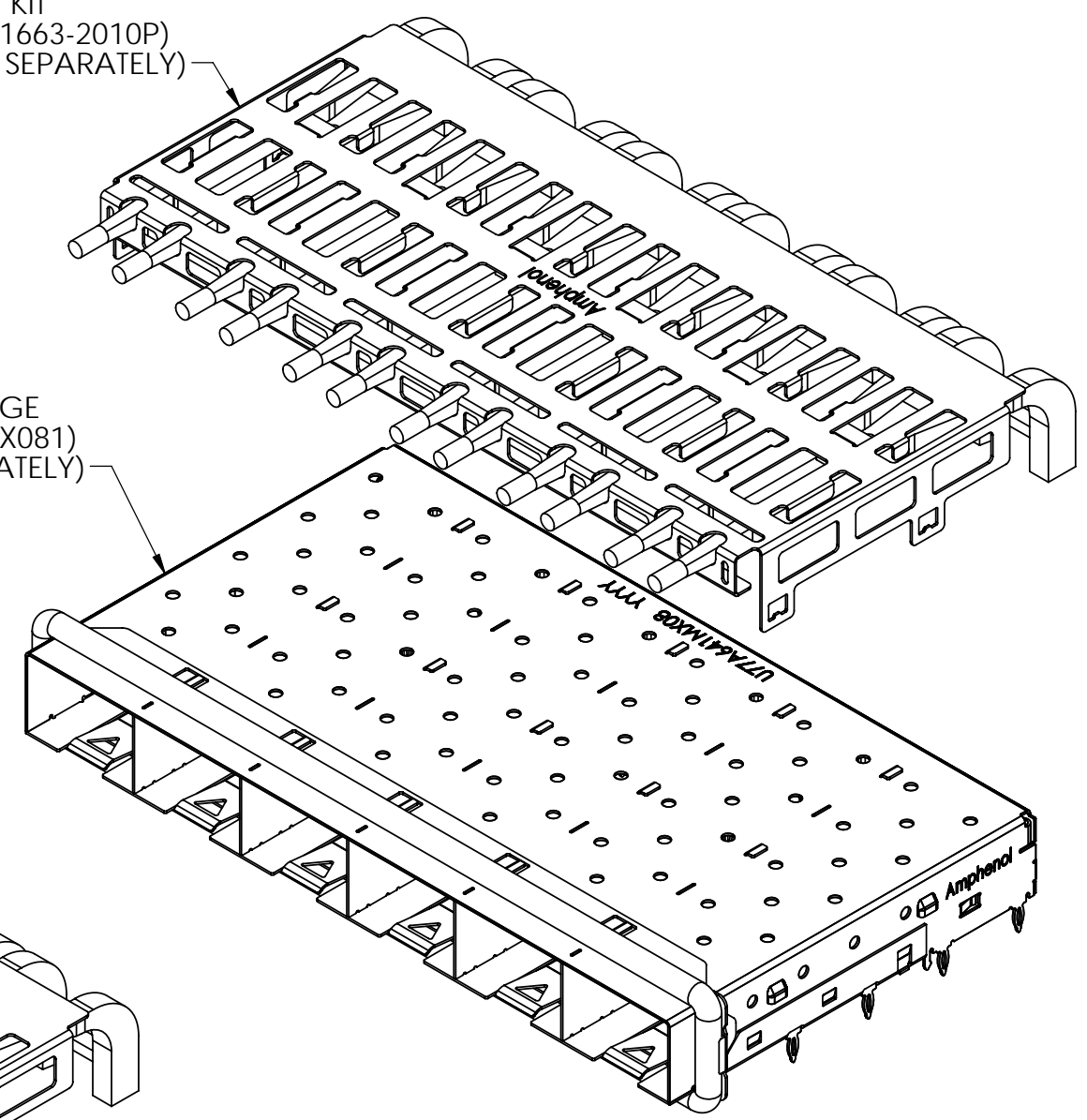
BRACKET FOR LIGHT PIPE:
STAINLESS STEEL

PACKAGING:
TRAY PACKAGING

TEMPERATURE RANGE:
-40C TO +85C

LIGHT PIPE KIT
(P/N: U77-1663-2010P)
(IF ORDER SEPARATELY)

SFP+PRESS FIT CAGE
(P/N U77-A641M-X081)
(IF ORDER SEPARATELY)



P/N: U77-C641M-X081 SHOWN

AMPHENOL PART NUMBER CONFIGURATION

U77 - C X 4 1 M - X 0 8 1

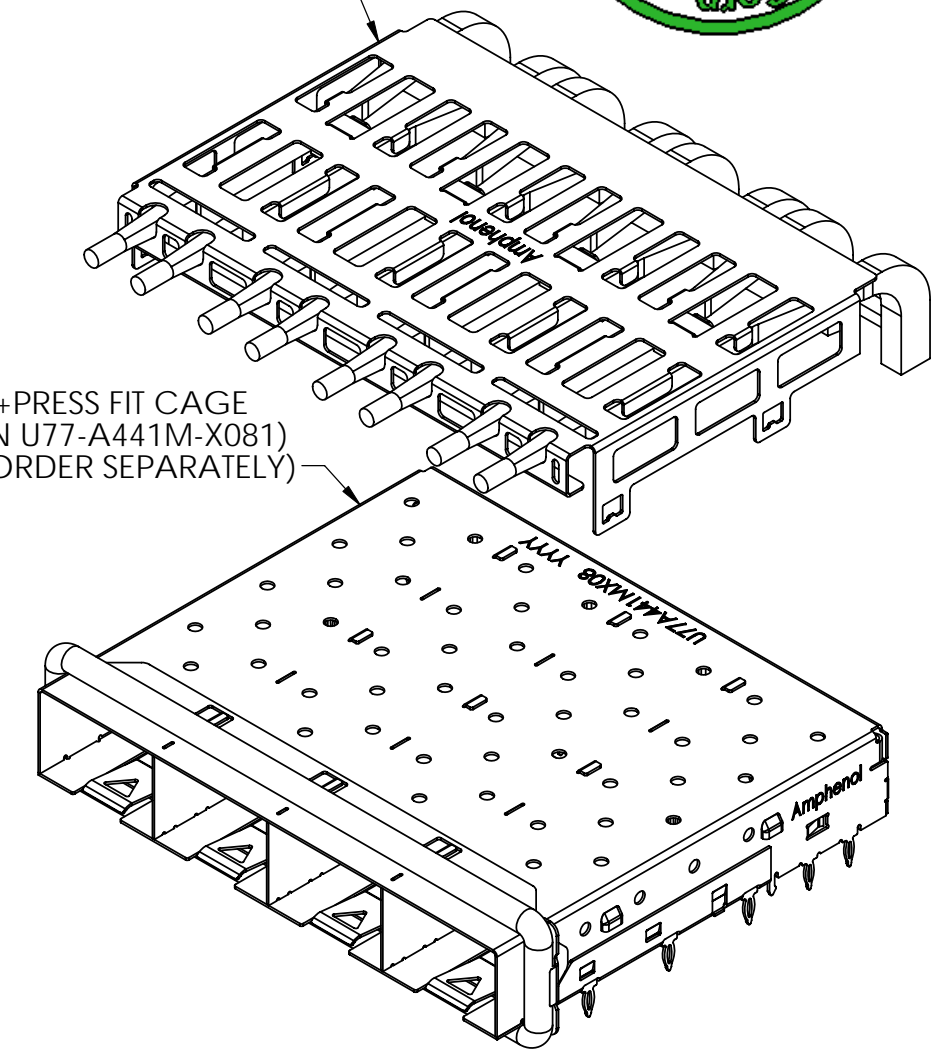
- PACKAGING
1 = TRAY PACKAGING
- PLATING
2 = NICKEL PLATING
3 = MATTE TIN PLATING
- NUMBER OF PORTS
2 = 2 PORTS
4 = 4 PORTS
6 = 6 PORTS

DO NOT SCALE DRAWING

THIS DOCUMENT CONTAINS PROPRIETARY INFORMATION AND SUCH INFORMATION MAY NOT BE DISCLOSED TO OTHERS FOR ANY PURPOSE OR USED FOR MANUFACTURING PURPOSES WITHOUT PERMISSION FROM AMPHENOL CANADA CORP.

LIGHT PIPE KIT
(P/N: U77-1463-2010P)
(IF ORDER SEPARATELY)

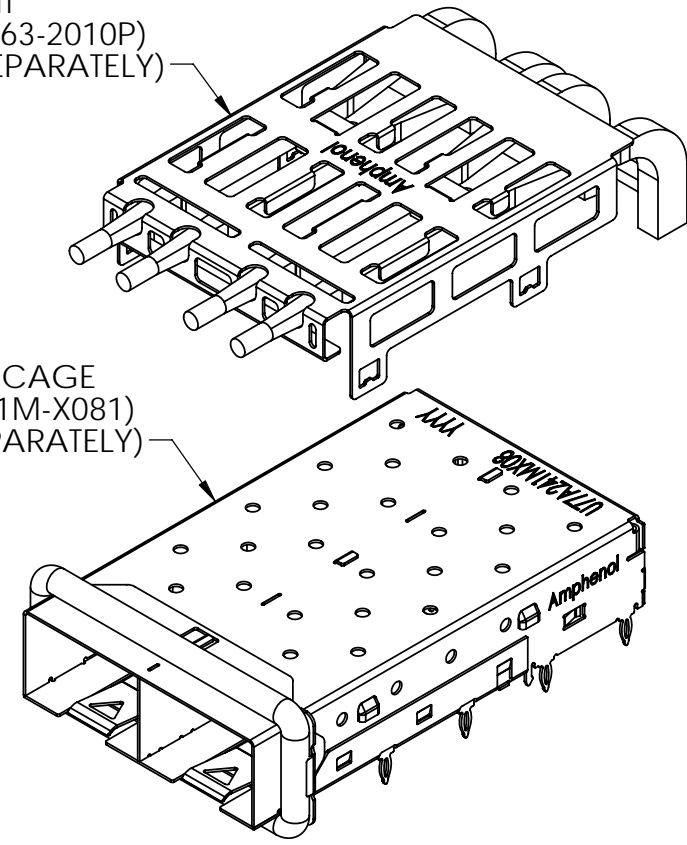
SFP+PRESS FIT CAGE
(P/N U77-A441M-X081)
(IF ORDER SEPARATELY)



P/N: U77-C441M-X081 SHOWN

LIGHT PIPE KIT
(P/N: U77-1263-2010P)
(IF ORDER SEPARATELY)

SFP+PRESS FIT CAGE
(P/N U77-A241M-X081)
(IF ORDER SEPARATELY)

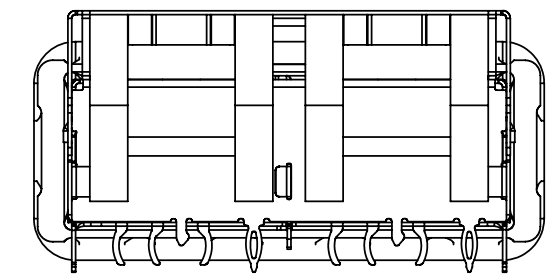
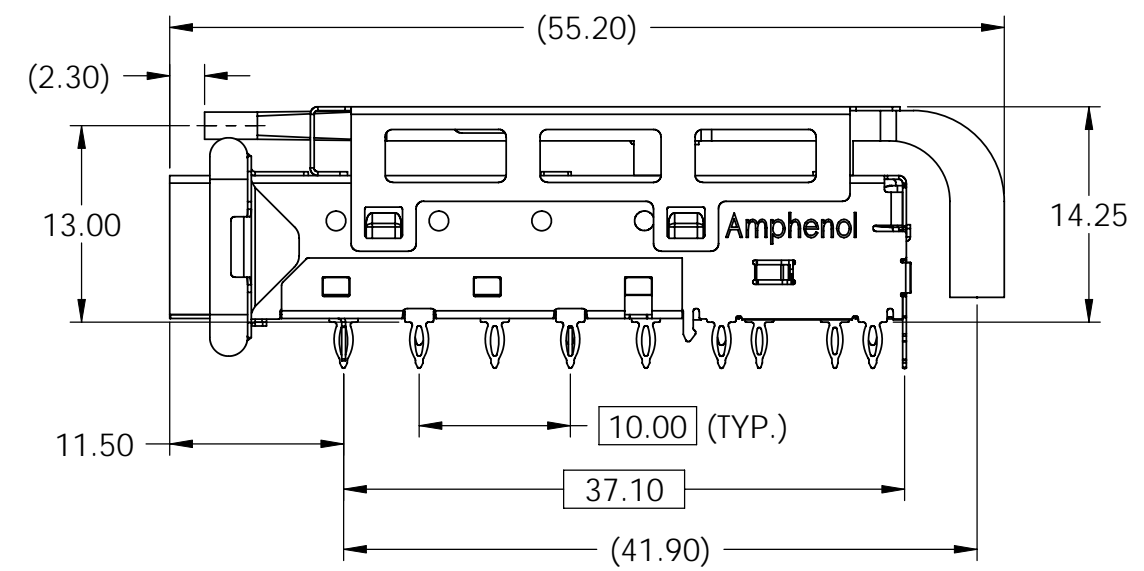
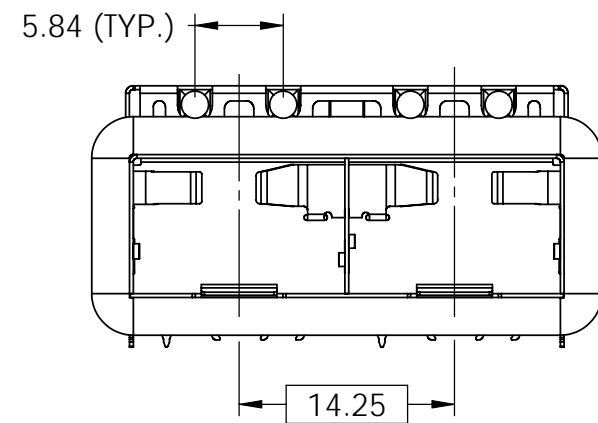
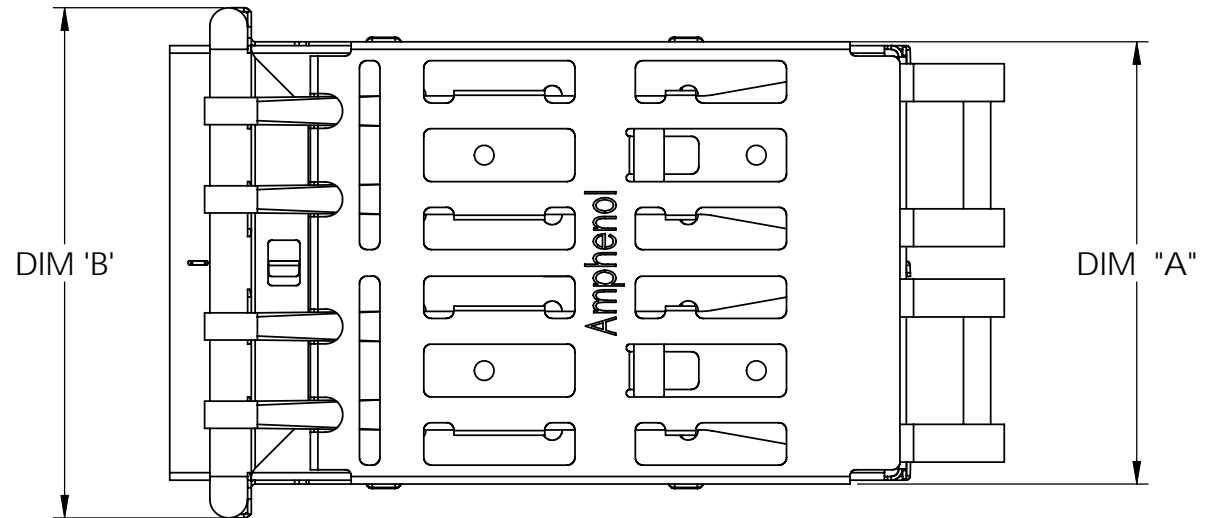


P/N: U77-C241M-X081 SHOWN

| | | | | | | |
|--|----------------|-----------|------|----------|--|------------------------------|
| UNLESS OTHERWISE SPECIFIED DIMENSIONS ARE IN MILLIMETERS TOLERANCES ARE: | | APPROVALS | | DATE | Amphenol Canada Corp. | |
| DECIMALS X.X ± 0.38 X.XX ± 0.25 | ANGLES ± 1° | DRAWN | J.SI | JUL21/09 | TITLE | |
| MATERIAL AND FINISH SEE NOTE 1 | | DESIGNED | | | 1XN SFP+ CAGE ELASTOMER EMI GASKET, WITH LIGHT PIPE | |
| REF. | | CHECKED | | | SIZE A3 | DWG. NO. P-U77-CX41M-X081 |
| CODE IDENT. NO. | 03554 | QA APPD | | | REV. A | |
| | | IE APPD | | | SCALE 3:2 | PROJECT |
| | | DWG APPD | | | SHEET | 1 OF 11 |

| PART NUMBER | DIM"A" | DIM"B" |
|----------------|--------|--------|
| U77-C261M-X081 | 29.25 | 33.75 |
| U77-C461M-X081 | 57.75 | 62.25 |
| U77-C661M-X081 | 86.25 | 90.75 |

| REVISIONS | | | | |
|-----------|---------|-------------|----------|----------|
| REV. | ECN/E-R | DESCRIPTION | DATE | APPROVED |
| A | | PROPOSAL | JUL22/09 | |
| | | | | |
| | | | | |



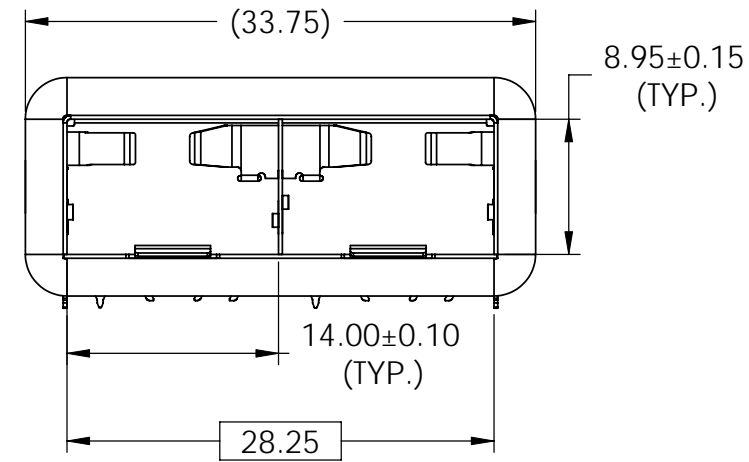
DO NOT SCALE DRAWING

THIS DOCUMENT CONTAINS PROPRIETARY INFORMATION AND SUCH INFORMATION MAY NOT BE DISCLOSED TO OTHERS FOR ANY PURPOSE OR USED FOR MANUFACTURING PURPOSES WITHOUT PERMISSION FROM AMPHENOL CANADA CORP.

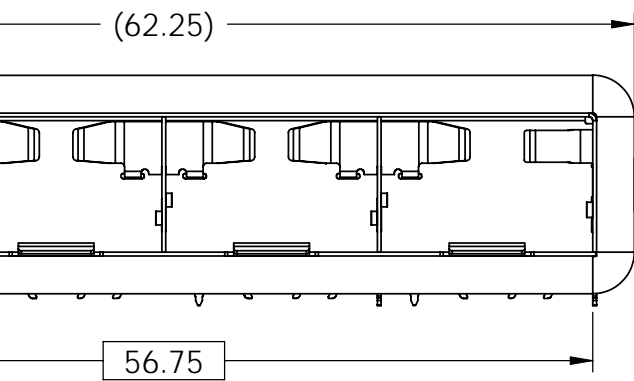
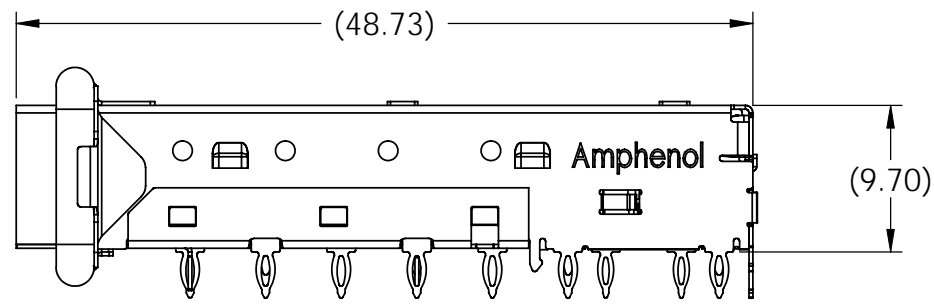
| | | | | |
|---|---------------------------|---------------|---|----------|
| UNLESS OTHERWISE SPECIFIED DIMENSIONS ARE IN MILLIMETERS TOLERANCES ARE: DECIMALS ANGLES X.X ± 0.38 ± 1° X.XX ± 0.25 | APPROVALS | DATE | Amphenol Canada Corp. TITLE 1XN SFP+ CAGE ELASTOMER EMI GASKET, WITH LIGHT PIPE | |
| | DRAWN | J.SI | | JUL21/09 |
| | DESIGNED | | | |
| | CHECKED | | | |
| MATERIAL AND FINISH | QA APPD | | | |
| SEE NOTE 1 | | | | |
| REF. | IE APPD | | | |
| CODE IDENT. NO. 03554 | DWG APPD | | | |
| SIZE A3 | DWG. NO. P-U77-CX41M-X081 | REV. A | | |
| SCALE 1:1 | PROJECT | SHEET 2 OF 11 | | |

REVISIONS

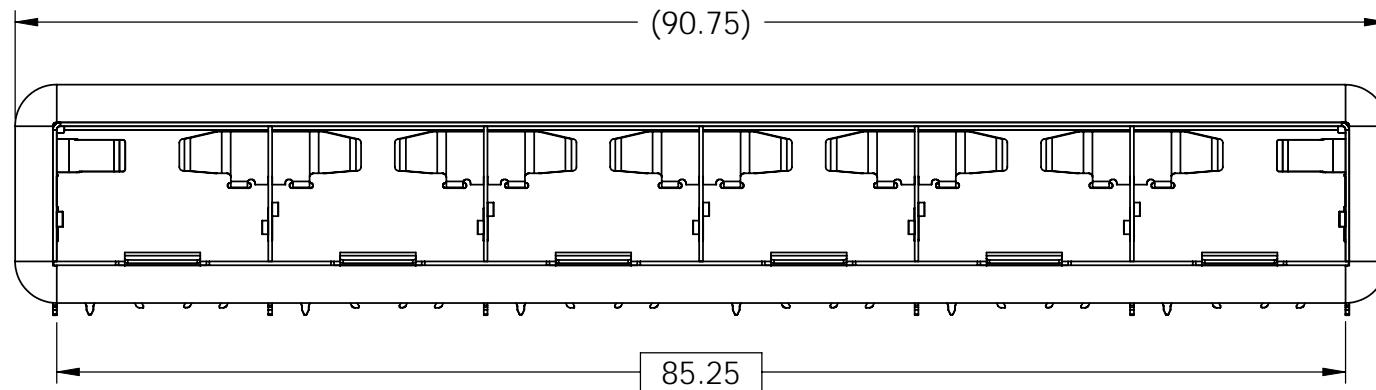
| REV. | ECN/E-R | DESCRIPTION | DATE | APPROVED |
|------|---------|-------------|----------|----------|
| A | | PROPOSAL | JUL22/09 | |
| | | | | |
| | | | | |



U77-A261M-X081



U77-A461M-X081



U77-A661M-X081

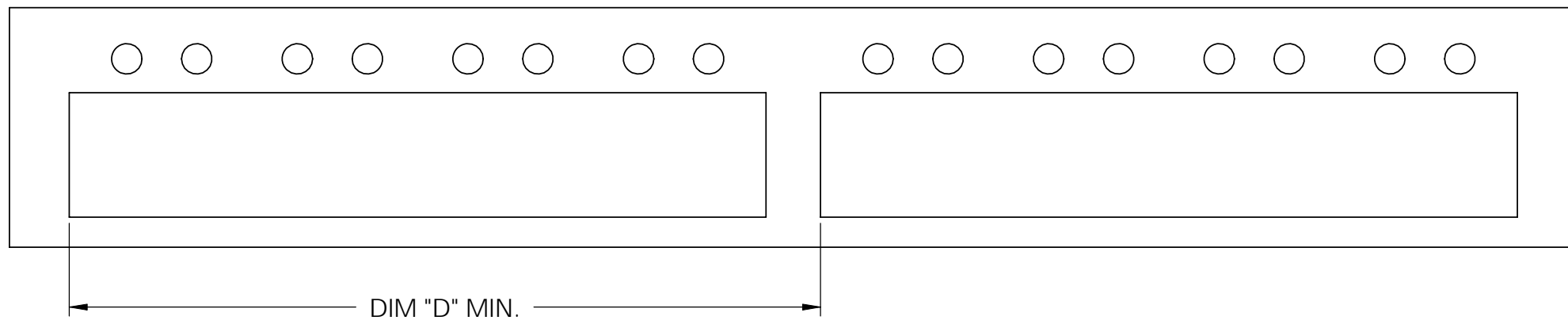
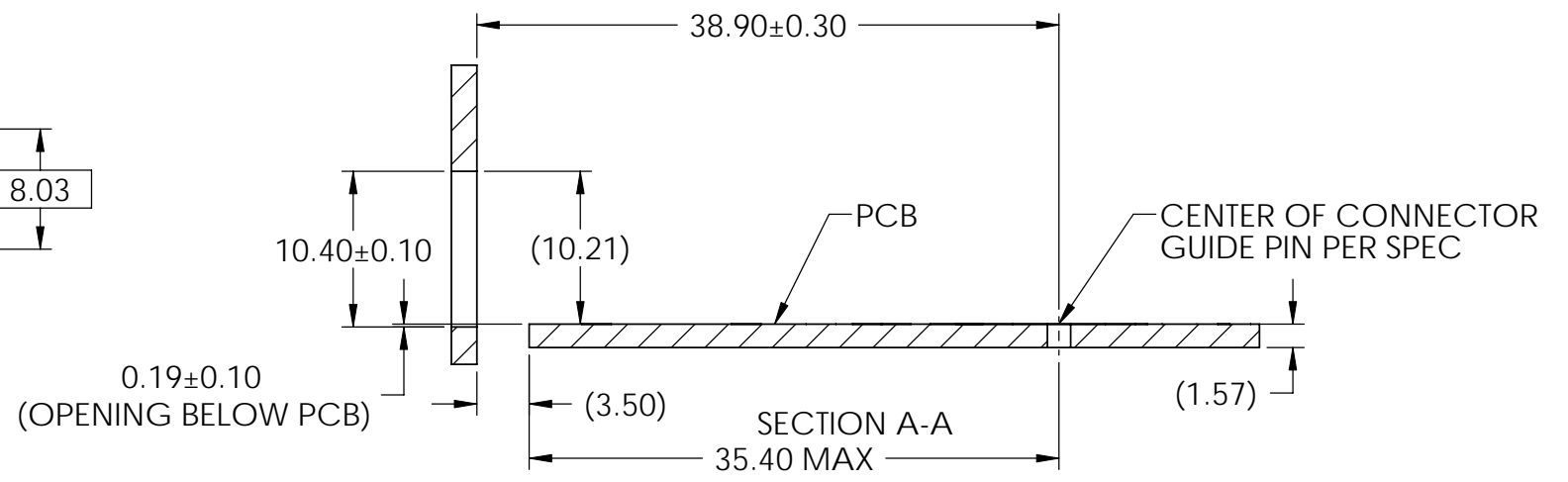
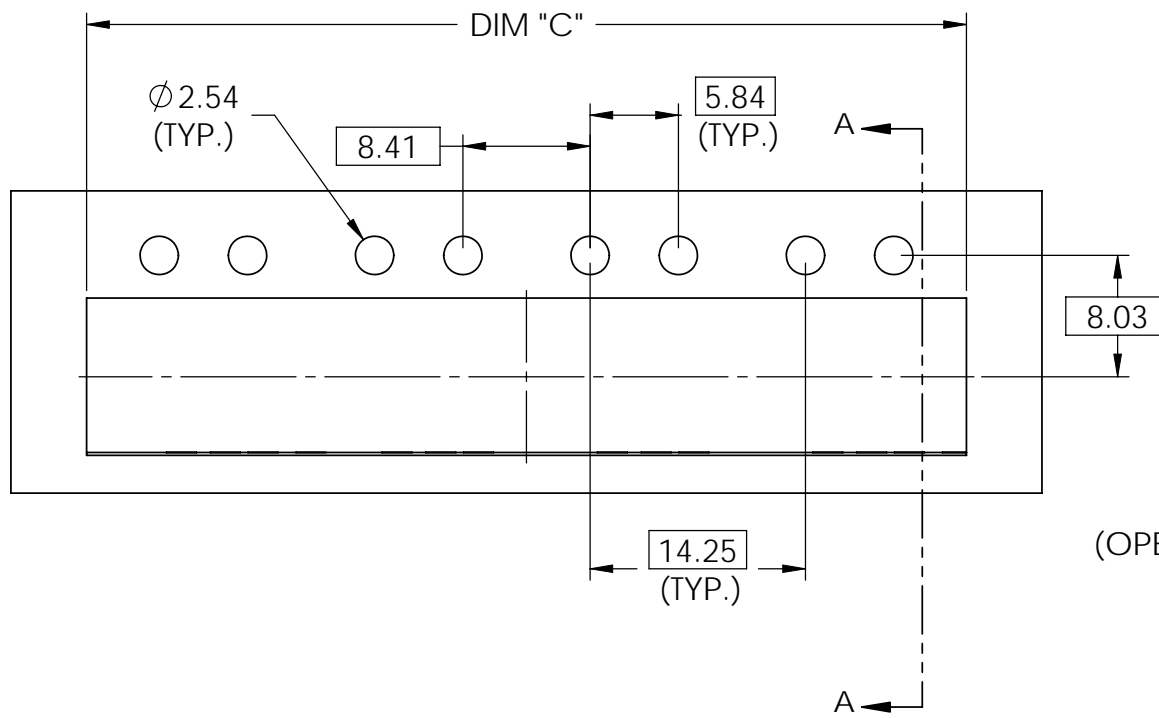
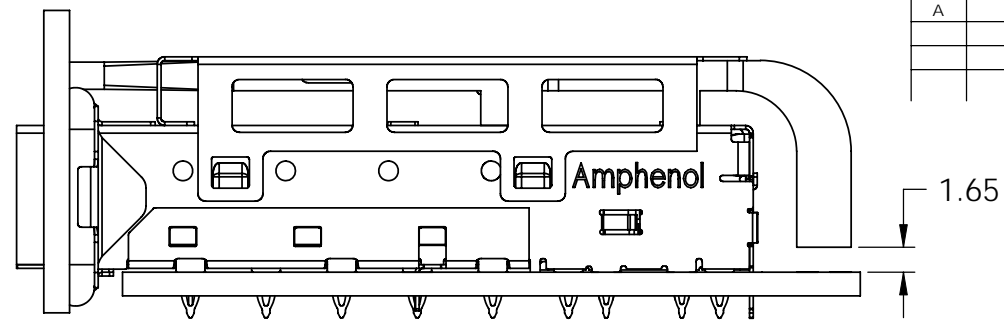
DO NOT SCALE DRAWING

THIS DOCUMENT CONTAINS PROPRIETARY INFORMATION AND SUCH INFORMATION MAY NOT BE DISCLOSED TO OTHERS FOR ANY PURPOSE OR USED FOR MANUFACTURING PURPOSES WITHOUT PERMISSION FROM AMPHENOL CANADA CORP.

| | | | | | |
|--|--------------|------------------|-------------|------------------------------|---|
| UNLESS OTHERWISE SPECIFIED DIMENSIONS ARE IN MILLIMETERS TOLERANCES ARE: | | APPROVALS | DATE | Amphenol Canada Corp. | |
| DECIMALS | ANGLES | DRAWN | J.SI | JUL21/09 | TITLE |
| X.X ± 0.38 | ± 1° | DESIGNED | | | 1XN SFP+ CAGE ELASTOMER EMI GASKET, WITH LIGHT PIPE |
| X.XX ± 0.25 | | CHECKED | | | |
| MATERIAL AND FINISH | | QA APPD | | | |
| SEE NOTE 1 | | IE APPD | | | SIZE A3 DWG. NO. P-U77-CX41M-X081 REV. A |
| REF. | | DWG APPD | | | SCALE 2:1 PROJECT SHEET 3 OF 11 |
| CODE IDENT. NO. | 03554 | | | | |

| PART NUMBER | DIM "C" | DIM "D" |
|----------------|---------|---------|
| U77-C241M-X081 | 29.70 | 34.25 |
| U77-C441M-X081 | 58.20 | 62.75 |
| U77-C641M-X081 | 86.70 | 91.25 |

| REVISIONS | | | | |
|-----------|---------|-------------|----------|----------|
| REV. | ECN/E-R | DESCRIPTION | DATE | APPROVED |
| A | | PROPOSAL | JUL22/09 | |
| | | | | |
| | | | | |



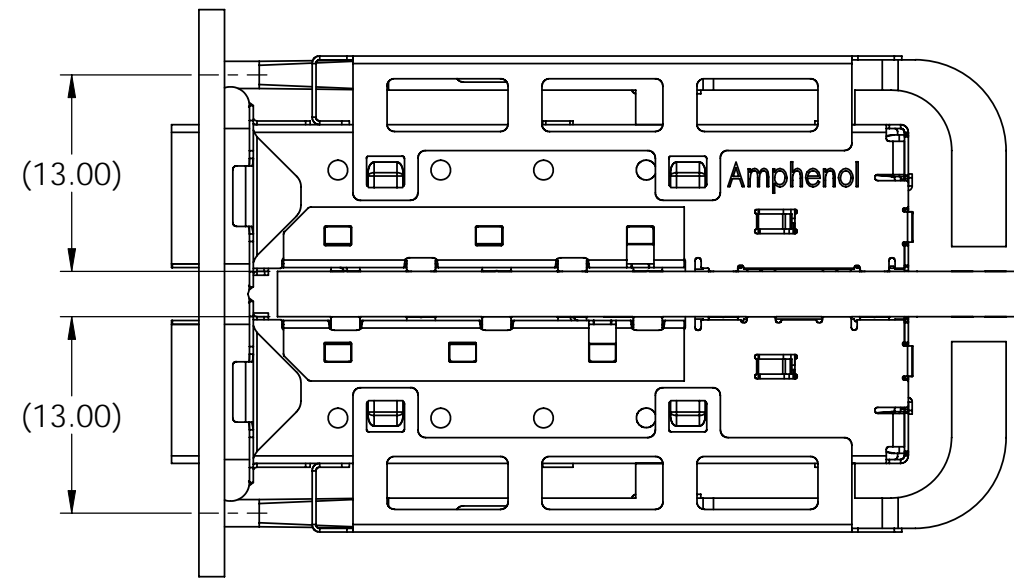
| | | | | | | |
|--|--------|-----------|------|----------|---|---------------------------|
| UNLESS OTHERWISE SPECIFIED DIMENSIONS ARE IN MILLIMETERS TOLERANCES ARE: | | APPROVALS | | DATE | Amphenol Canada Corp. | |
| DECIMALS | ANGLES | DRAWN | J.SI | JUL21/09 | TITLE | |
| X.X ± 0.38 | ± 1° | DESIGNED | | | 1XN SFP+ CAGE ELASTOMER EMI GASKET, WITH LIGHT PIPE | |
| X.XX ± 0.25 | | CHECKED | | | | |
| MATERIAL AND FINISH | | QA APPD | | | | |
| SEE NOTE 1 | | IE APPD | | | | |
| REF. | | DWG APPD | | | SIZE A3 | DWG. NO. P-U77-CX41M-X081 |
| CODE IDENT. NO. | 03554 | | | | SCALE 2:1 | PROJECT |
| | | | | | | SHEET 4 OF 11 |

DO NOT SCALE DRAWING

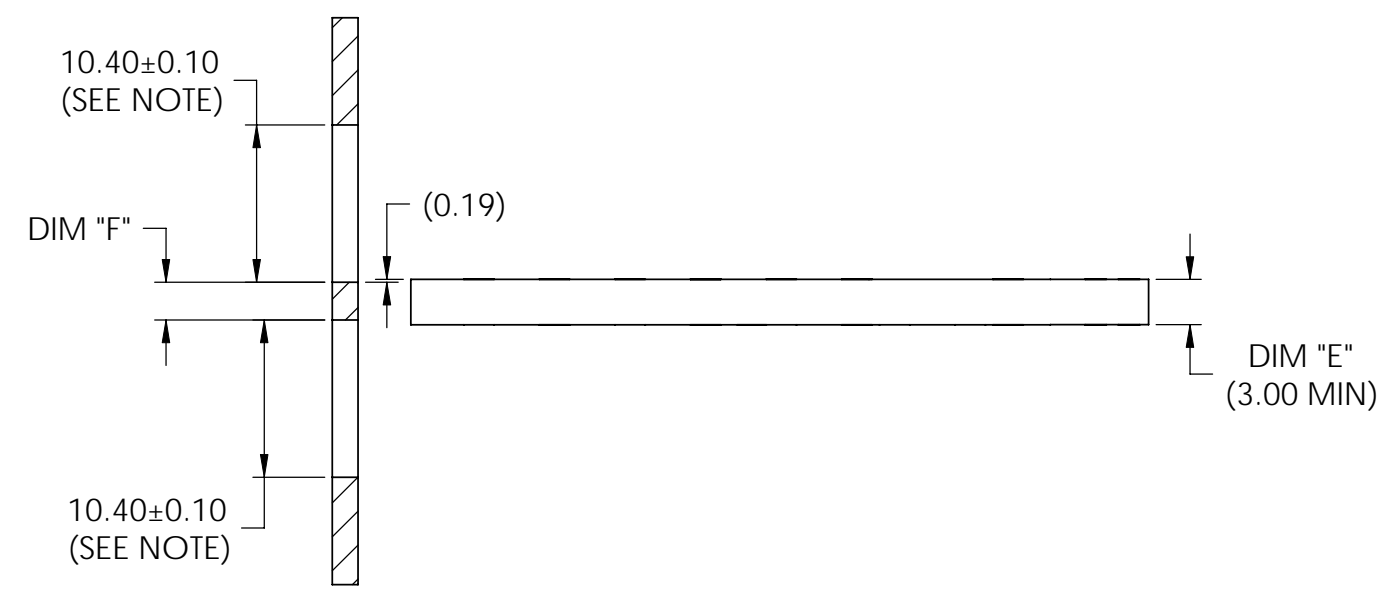
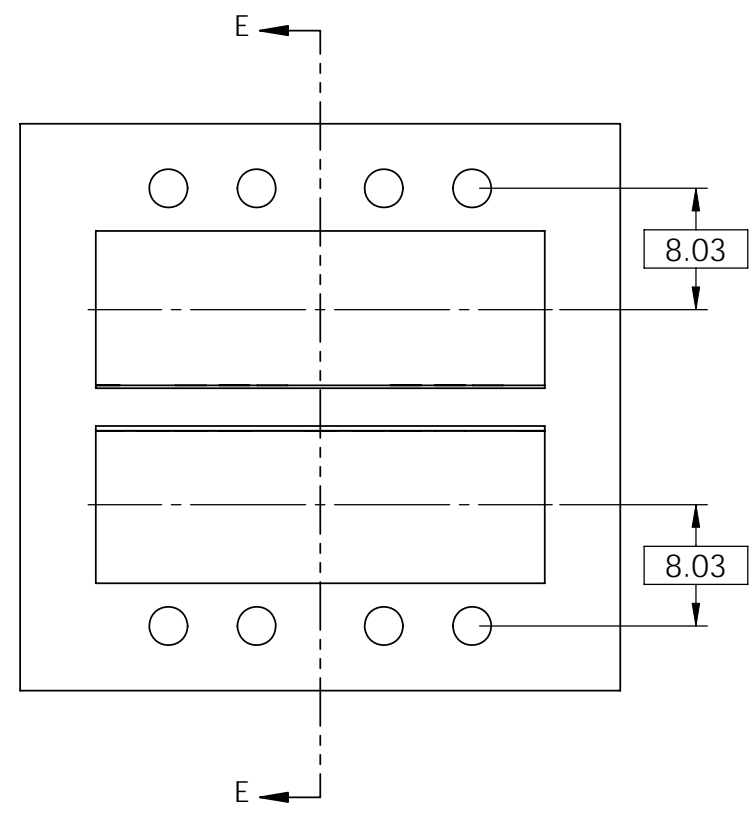
THIS DOCUMENT CONTAINS PROPRIETARY INFORMATION AND SUCH INFORMATION MAY NOT BE DISCLOSED TO OTHERS FOR ANY PURPOSE OR USED FOR MANUFACTURING PURPOSES WITHOUT PERMISSION FROM AMPHENOL CANADA CORP.

| REVISIONS | | | | |
|-----------|---------|-------------|----------|----------|
| REV. | ECN/E-R | DESCRIPTION | DATE | APPROVED |
| A | | PROPOSAL | JUL22/09 | |
| | | | | |
| | | | | |

D
C
B
A



NOTE:
 PANEL CUTOUT SIZES PER SFF 8433 SPEC. FOR BELLY TO BELLY MOUNTING, DIM "E" (PCB THICKNESS) IS 3.0 mm MIN. DIM "F" RELATED TO DIM "E". FOR DIM "F" = DIM "E" - 0.44 mm. THE PANEL CUTOUT 10.40 mm MIGHT BE INCREASED UP TO 10.80 mm IN ORDER TO ACCOMMODATE PCB TOLERANCE.



SECTION E-E

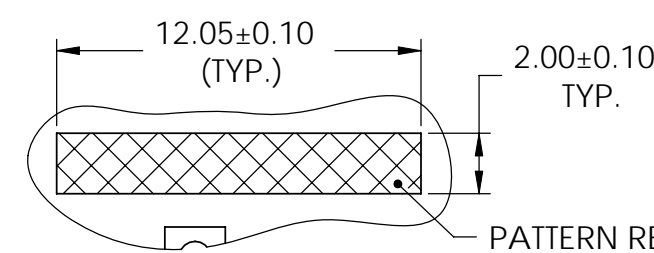
DO NOT SCALE DRAWING

THIS DOCUMENT CONTAINS PROPRIETARY INFORMATION AND SUCH INFORMATION MAY NOT BE DISCLOSED TO OTHERS FOR ANY PURPOSE OR USED FOR MANUFACTURING PURPOSES WITHOUT PERMISSION FROM AMPHENOL CANADA CORP.

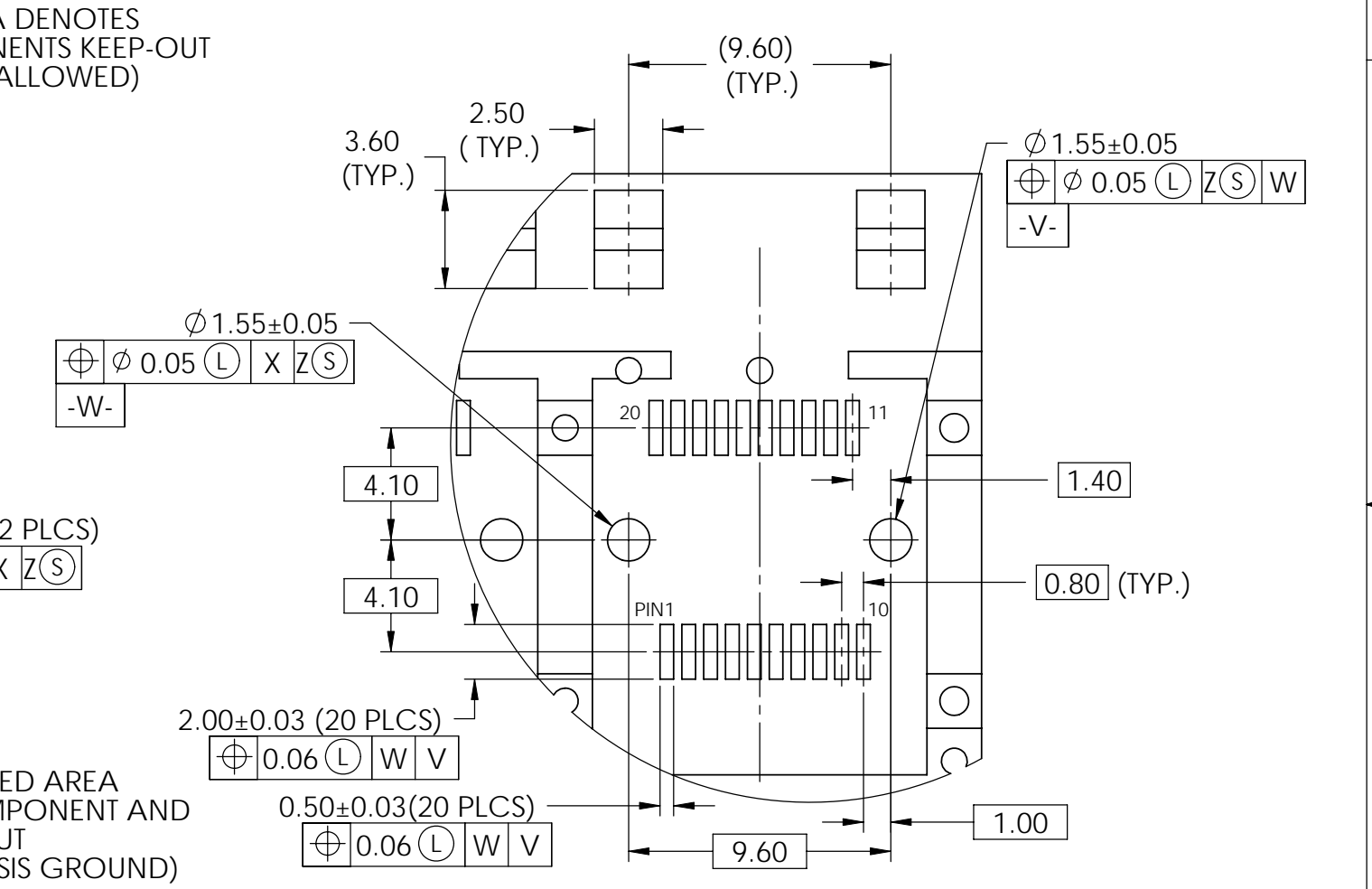
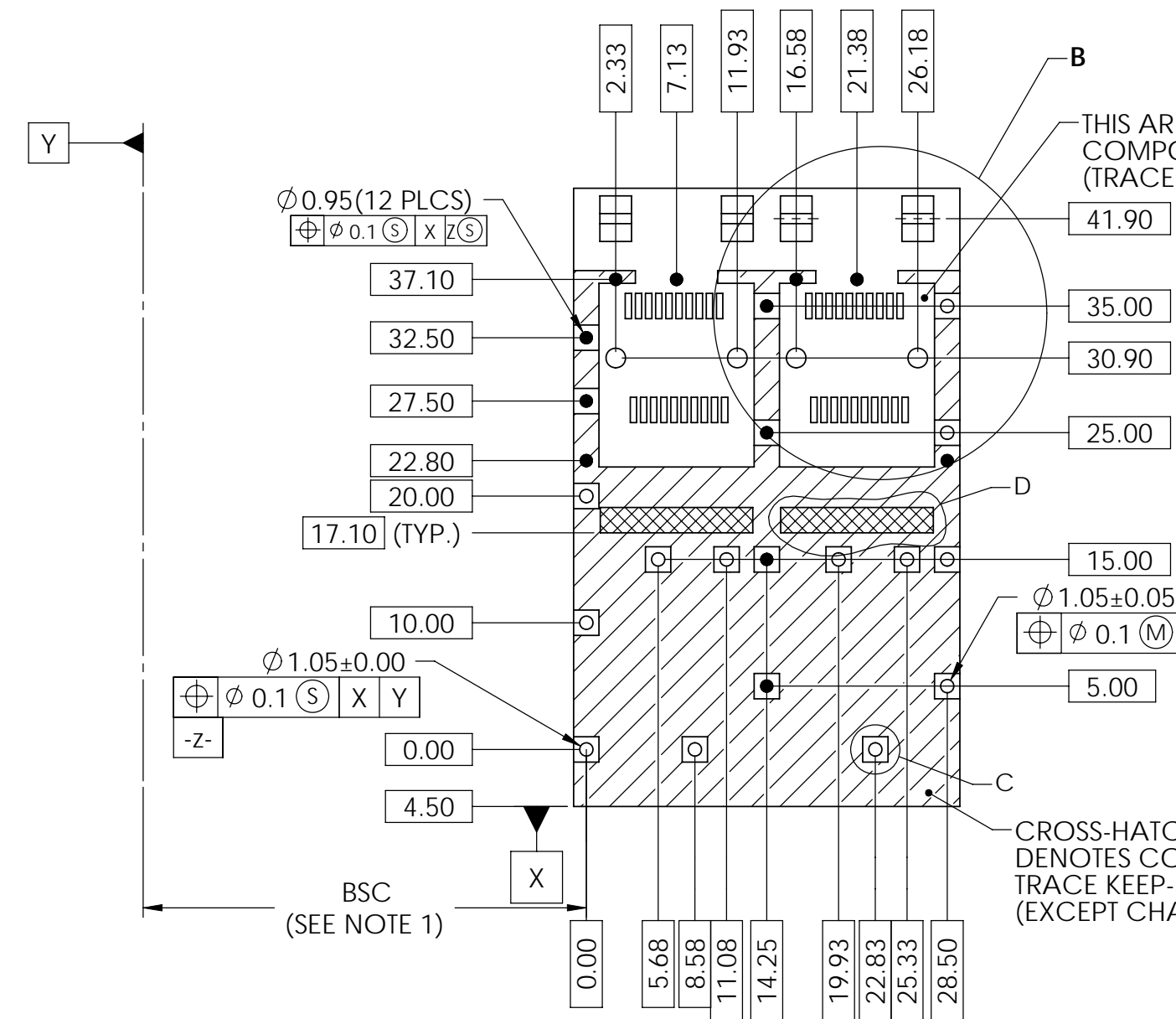
| | | | | |
|---|------------------|-------------|------------------------------|--|
| UNLESS OTHERWISE SPECIFIED DIMENSIONS ARE IN MILLIMETERS TOLERANCES ARE: DECIMALS ANGLES X.X ± 0.38 ± 1° X.XX ± 0.25 | APPROVALS | DATE | Amphenol Canada Corp. | |
| | DRAWN | J.SI | | |
| | DESIGNED | | | TITLE |
| | CHECKED | | | 1XN SFP+ CAGE ELASTOMER EMI GASKET, WITH LIGHT PIPE |
| MATERIAL AND FINISH SEE NOTE 1 | QA APPD | | SIZE A3 | DWG. NO P-U77-CX41M-X081 |
| REF. | IE APPD | | SCALE 2:1 | PROJECT |
| CODE IDENT. NO. 03554 | DWG APPD | | SHEET 5 OF 11 | REV. A |

- NOTES:
 1. DATUM AND BASIC DIMENSIONS ESTABLISHED BY CUSTOMER.
 2. PADS AND VIAS ARE CHASSIS GROUND.
 3. THRU-HOLES, PLATING OPTIONAL.
 4. SEE DRAWINGS P-UX76-A20-X00XX FOR CONNECTOR LAYOUT.

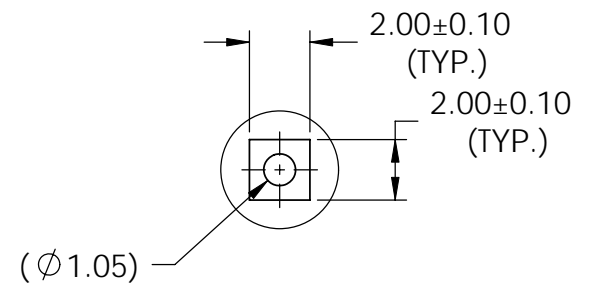
| REVISIONS | | | | |
|-----------|---------|-------------|----------|----------|
| REV. | ECN/E-R | DESCRIPTION | DATE | APPROVED |
| A | | PROPOSAL | JUL22/09 | |
| | | | | |
| | | | | |



DETAIL D
SCALE 4 : 1



DETAIL B
SCALE 4 : 1



DETAIL C
SCALE 4 : 1

**RECOMMENDED PCB DESIGN
FOR SINGLE SIDE MOUNTING
(P/N U77-C261M-X081)**

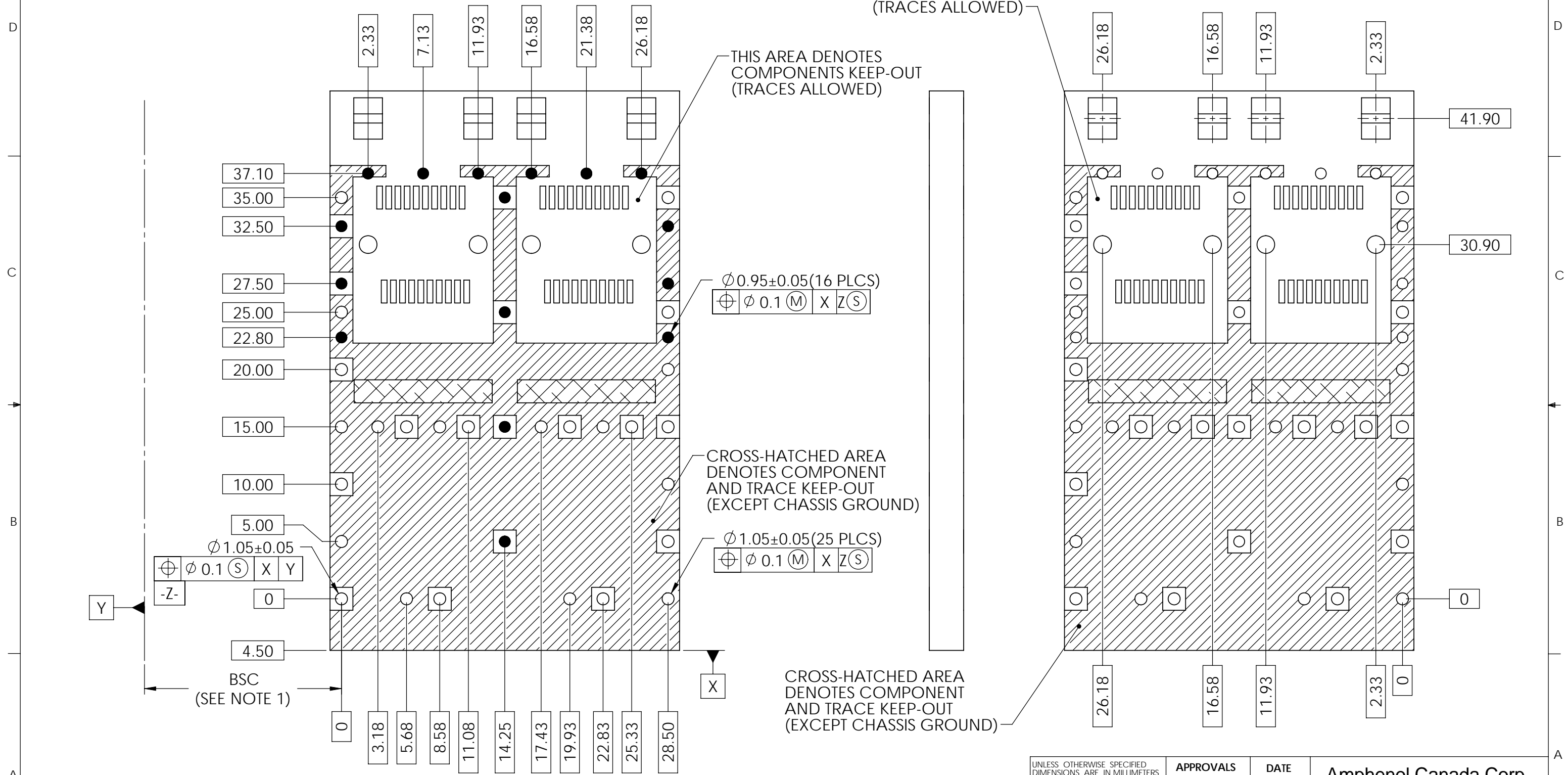
DO NOT SCALE DRAWING

THIS DOCUMENT CONTAINS PROPRIETARY INFORMATION AND SUCH INFORMATION MAY NOT BE DISCLOSED TO OTHERS FOR ANY PURPOSE OR USED FOR MANUFACTURING PURPOSES WITHOUT PERMISSION FROM AMPHENOL CANADA CORP.

| | | | |
|---|------------|----------|--|
| UNLESS OTHERWISE SPECIFIED DIMENSIONS ARE IN MILLIMETERS TOLERANCES ARE: DECIMALS X.X ± 0.38 X.XX ± 0.25 MATERIAL AND FINISH SEE NOTE 1 REF. CODE IDENT. NO. 03554 | APPROVALS | DATE | Amphenol Canada Corp. |
| | DRAWN J.SI | JUL21/09 | |
| | DESIGNED | | TITLE |
| | CHECKED | | 1XN SFP+ CAGE ELASTOMER EMI GASKET, WITH LIGHT PIPE |
| | QA APPD | | SIZE A3 DWG. NO. P-U77-CX41M-X081 REV. A |
| | IE APPD | | SCALE 2:1 PROJECT SHEET 6 OF 11 |
| | DWG APPD | | |

- NOTES:
 1. DATUM AND BASIC DIMENSIONS ESTABLISHED BY CUSTOMER.
 2. PADS AND VIAS ARE CHASSIS GROUND.
 3. THRU-HOLES, PLATING OPTIONAL.
 4. SEE DRAWINGS P-UX76-A20-X00XX FOR CONNECTOR LAYOUT.

| REVISIONS | | | | |
|-----------|---------|-------------|----------|----------|
| REV. | ECN/E-R | DESCRIPTION | DATE | APPROVED |
| A | | PROPOSAL | JUL22/09 | |
| | | | | |
| | | | | |



**RECOMMENDED PCB DESIGN
FOR BELLY TO BELLY MOUNTING**

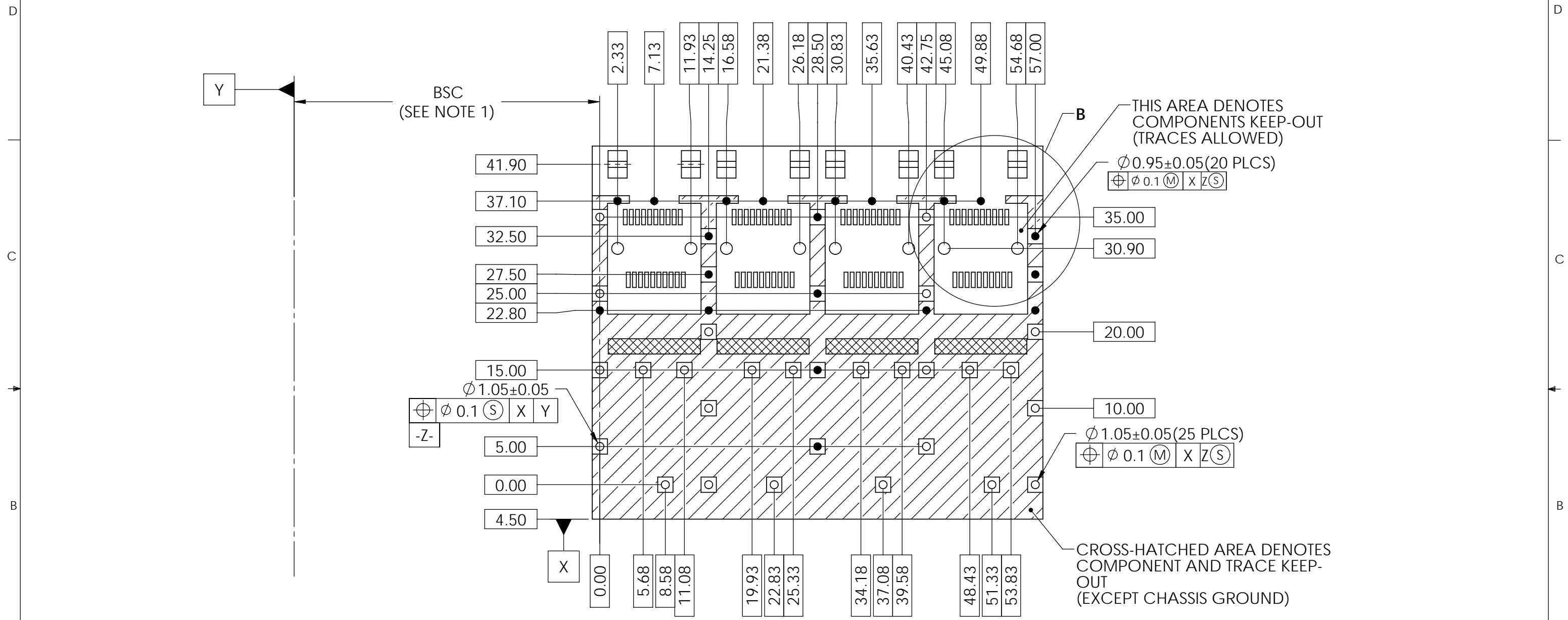
DO NOT SCALE DRAWING

THIS DOCUMENT CONTAINS PROPRIETARY INFORMATION AND SUCH INFORMATION MAY NOT BE DISCLOSED TO OTHERS FOR ANY PURPOSE OR USED FOR MANUFACTURING PURPOSES WITHOUT PERMISSION FROM AMPHENOL CANADA CORP.

| | | | | |
|---|------|------------|----------|--|
| UNLESS OTHERWISE SPECIFIED DIMENSIONS ARE IN MILLIMETERS TOLERANCES ARE: DECIMALS X.X ± 0.38 ANGLES ± 1° X.XX ± 0.25 | | APPROVALS | DATE | Amphenol Canada Corp. TITLE 1XN SFP+ CAGE ELASTOMER EMI GASKET, WITH LIGHT PIPE |
| MATERIAL AND FINISH SEE NOTE 1 | REF. | DRAWN J.SI | JUL21/09 | |
| CODE IDENT. NO. 03554 | | DESIGNED | | |
| | | CHECKED | | |
| | | QA APPD | | SIZE A3 |
| | | IE APPD | | DWG. NO. P-U77-CX41M-X081 |
| | | DWG APPD | | SCALE 3:1 |
| | | | | PROJECT |
| | | | | SHEET 7 OF 11 |

- NOTES:
 1. DATUM AND BASIC DIMENSIONS ESTABLISHED BY CUSTOMER.
 2. PADS AND VIAS ARE CHASSIS GROUND.
 3. THRU-HOLES, PLATING OPTIONAL.
 4. SEE DRAWINGS P-UX76-A20-X00XX FOR CONNECTOR LAYOUT.

| REVISIONS | | | | |
|-----------|---------|-------------|----------|----------|
| REV. | ECN/E-R | DESCRIPTION | DATE | APPROVED |
| A | | PROPOSAL | JUL22/09 | |
| | | | | |
| | | | | |



**RECOMMENDED PCB DESIGN
 FOR SINGLE SIDE MOUNTING
 (P/N U77-C461M-X081)**

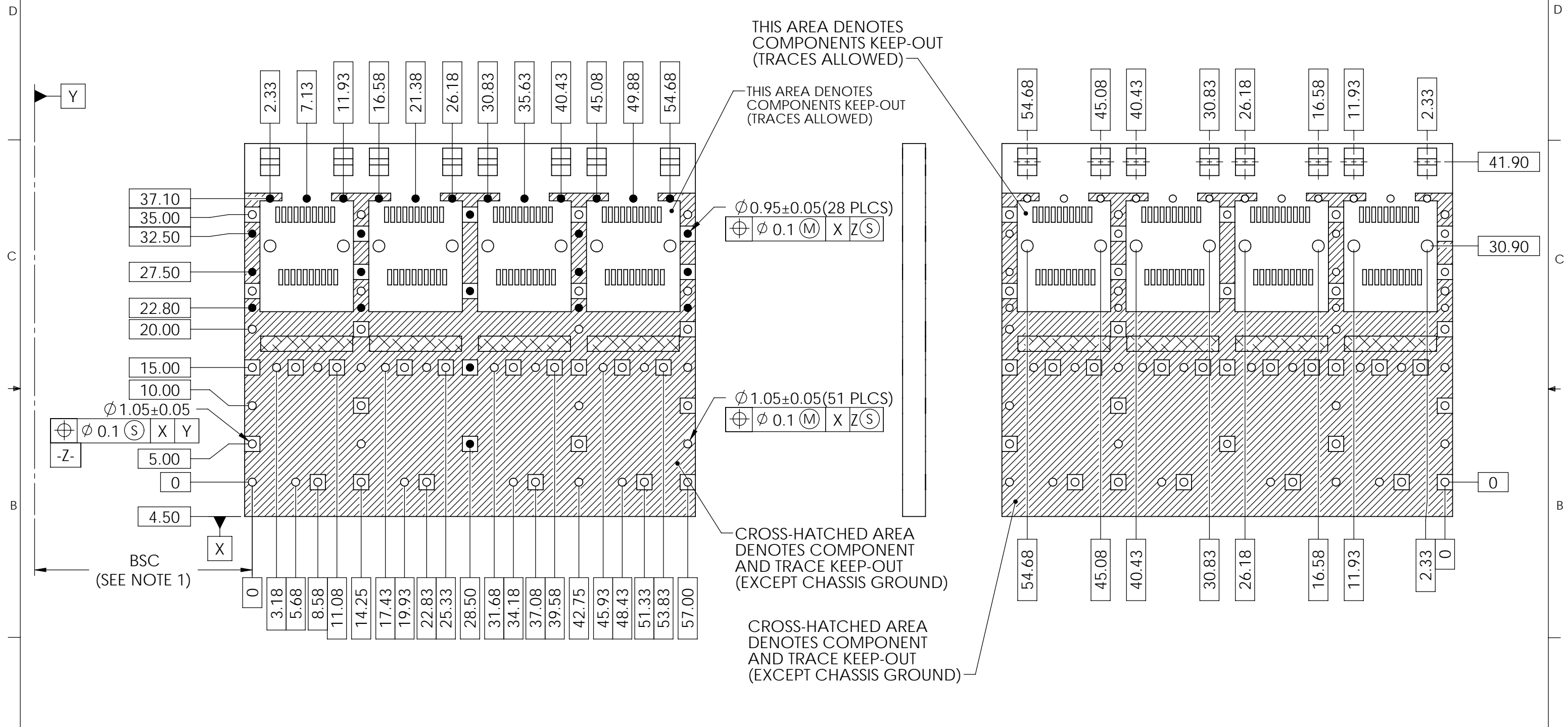
DO NOT SCALE DRAWING

THIS DOCUMENT CONTAINS PROPRIETARY INFORMATION AND SUCH INFORMATION MAY NOT BE DISCLOSED TO OTHERS FOR ANY PURPOSE OR USED FOR MANUFACTURING PURPOSES WITHOUT PERMISSION FROM AMPHENOL CANADA CORP.

| | | | |
|---|-----------------------|-------------|--|
| UNLESS OTHERWISE SPECIFIED DIMENSIONS ARE IN MILLIMETERS TOLERANCES ARE: DECIMALS ANGLES X.X ± 0.38 ± 1° X.XX ± 0.25 MATERIAL AND FINISH SEE NOTE 1 REF. CODE IDENT. NO. 03554 | APPROVALS | DATE | Amphenol Canada Corp. TITLE 1XN SFP+ CAGE ELASTOMER EMI GASKET, WITH LIGHT PIPE SIZE A3 DWG. NO. P-U77-CX41M-X081 REV. A |
| | DRAWN J.SI | JUL21/09 | |
| | DESIGNED | | |
| | CHECKED | | |
| | QA APPD | | |
| | IE APPD | | |
| | DWG APPD | | |
| | | | SCALE 1:1 PROJECT SHEET 8 OF 11 |

- NOTES:
 1. DATUM AND BASIC DIMENSIONS ESTABLISHED BY CUSTOMER.
 2. PADS AND VIAS ARE CHASSIS GROUND.
 3. THRU-HOLES, PLATING OPTIONAL.
 4. SEE DRAWINGS P-UX76-A20-X00XX FOR CONNECTOR LAYOUT.

| REVISIONS | | | | |
|-----------|---------|-------------|----------|----------|
| REV. | ECN/E-R | DESCRIPTION | DATE | APPROVED |
| A | | PROPOSAL | JUL22/09 | |
| | | | | |
| | | | | |



**RECOMMENDED PCB DESIGN
 FOR BELLY TO BELLY MOUNTING**

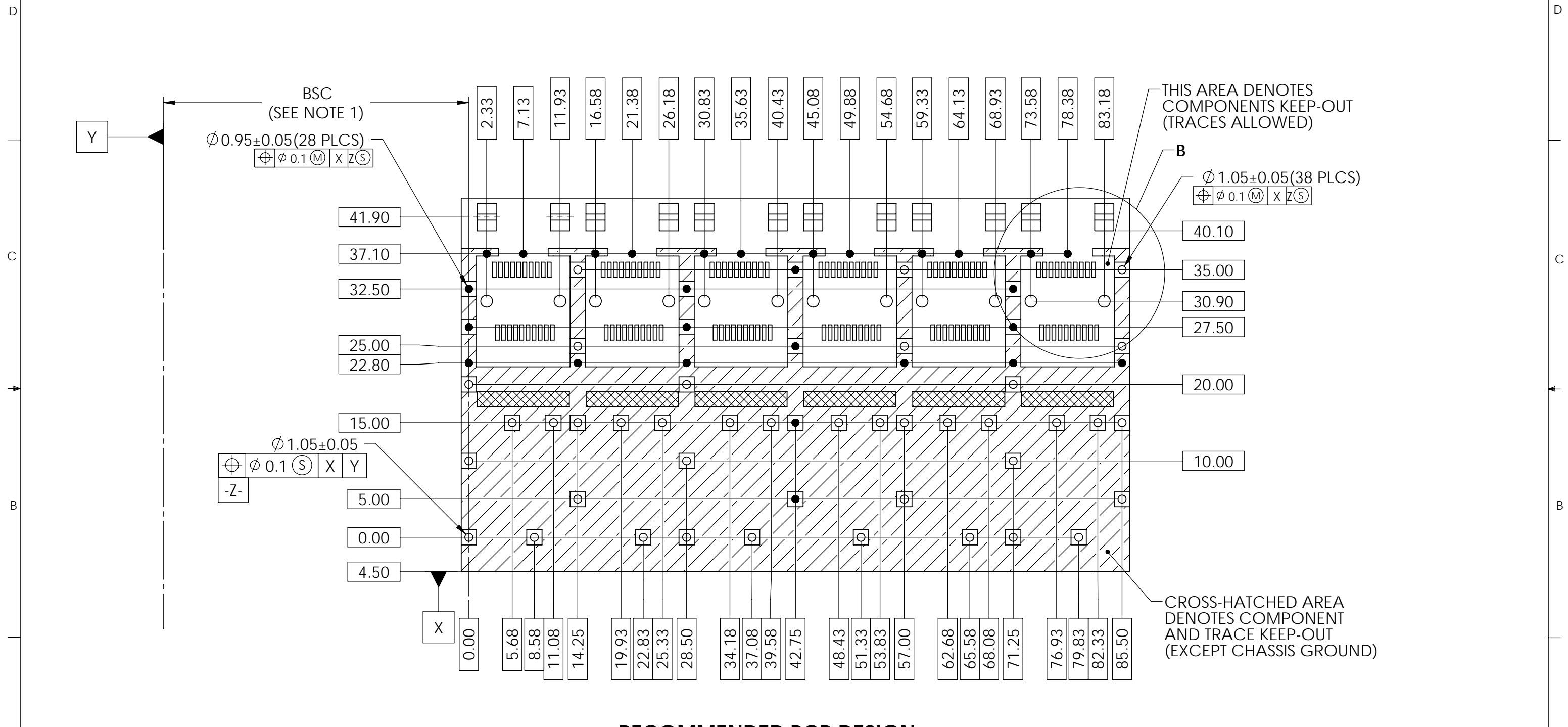
DO NOT SCALE DRAWING

THIS DOCUMENT CONTAINS PROPRIETARY INFORMATION AND SUCH INFORMATION MAY NOT BE DISCLOSED TO OTHERS FOR ANY PURPOSE OR USED FOR MANUFACTURING PURPOSES WITHOUT PERMISSION FROM AMPHENOL CANADA CORP.

| | | | | |
|---|-----------|------|----------|--|
| UNLESS OTHERWISE SPECIFIED DIMENSIONS ARE IN MILLIMETERS TOLERANCES ARE: DECIMALS ANGLES X.X ± 0.38 ± 1° X.XX ± 0.25 | APPROVALS | | DATE | Amphenol Canada Corp. TITLE 1XN SFP+ CAGE ELASTOMER EMI GASKET, WITH LIGHT PIPE |
| | DRAWN | J.SI | JUL21/09 | |
| | DESIGNED | | | |
| | CHECKED | | | |
| MATERIAL AND FINISH SEE NOTE 1 | QA APPD | | | SIZE A3 |
| REF. | IE APPD | | | DWG. NO P-U77-CX41M-X081 |
| CODE IDENT. NO. 03554 | DWG APPD | | | SCALE 2:1 |
| | | | | PROJECT |
| | | | | SHEET 9 OF 11 |

- NOTES:
 1. DATUM AND BASIC DIMENSIONS ESTABLISHED BY CUSTOMER.
 2. PADS AND VIAS ARE CHASSIS GROUND.
 3. THRU-HOLES, PLATING OPTIONAL.
 4. SEE DRAWINGS P-UX76-A20-X00XX FOR CONNECTOR LAYOUT.

| REVISIONS | | | | |
|-----------|---------|-------------|----------|----------|
| REV. | ECN/E-R | DESCRIPTION | DATE | APPROVED |
| A | | PROPOSAL | JUL22/09 | |
| | | | | |
| | | | | |



**RECOMMENDED PCB DESIGN
 FOR SINGLE SIDE MOUNTING
 (P/N U77-C661M-X081)**

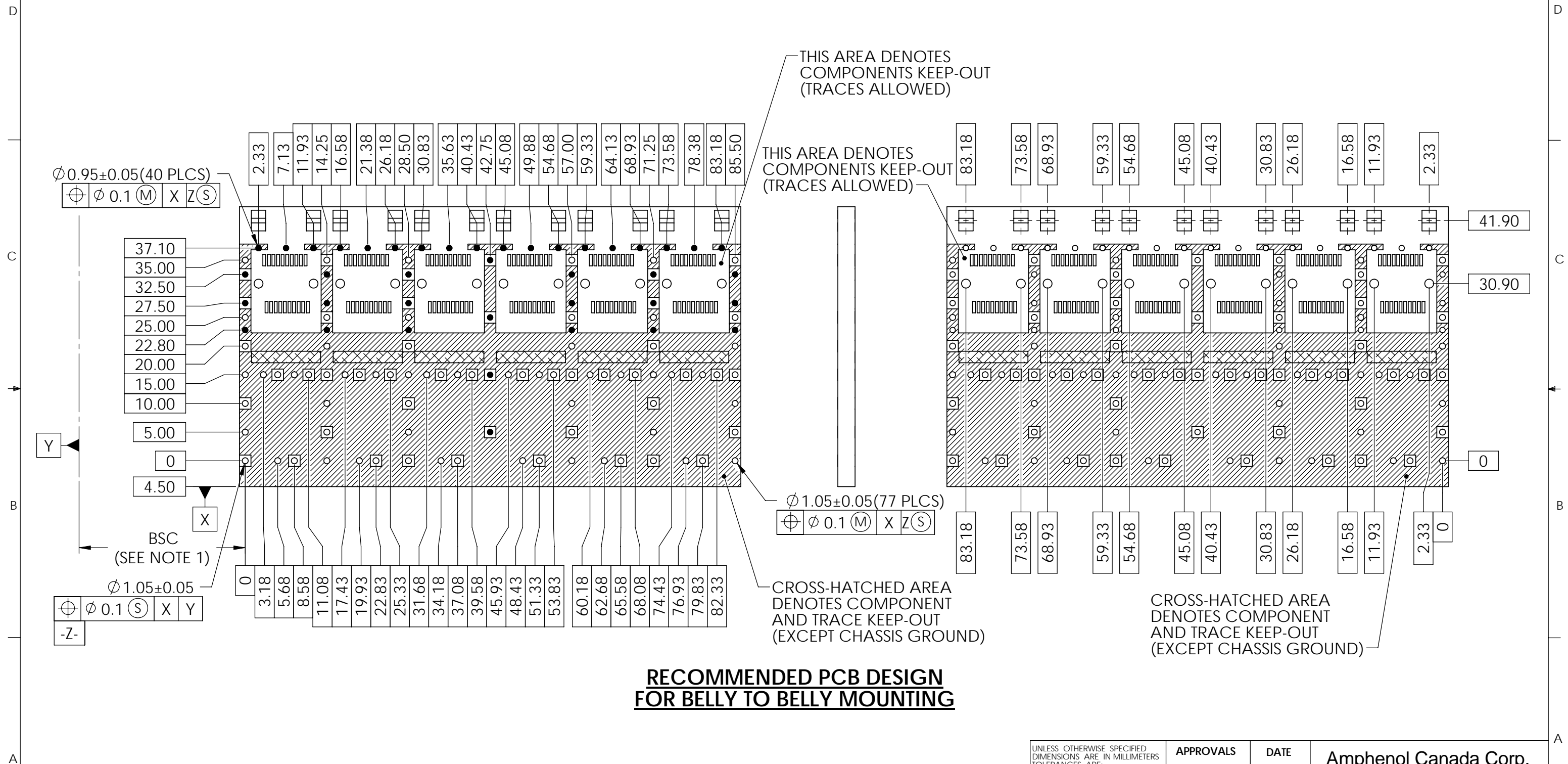
DO NOT SCALE DRAWING

THIS DOCUMENT CONTAINS PROPRIETARY INFORMATION AND SUCH INFORMATION MAY NOT BE DISCLOSED TO OTHERS FOR ANY PURPOSE OR USED FOR MANUFACTURING PURPOSES WITHOUT PERMISSION FROM AMPHENOL CANADA CORP.

| | | | | |
|---|-----------|------|-----------------------|--|
| UNLESS OTHERWISE SPECIFIED DIMENSIONS ARE IN MILLIMETERS TOLERANCES ARE: DECIMALS ANGLES X.X ± 0.38 ± 1° X.XX ± 0.25 | APPROVALS | DATE | Amphenol Canada Corp. | |
| | DRAWN | J.SI | | |
| | DESIGNED | | | TITLE |
| | CHECKED | | | 1XN SFP+ CAGE ELASTOMER EMI GASKET, WITH LIGHT PIPE |
| MATERIAL AND FINISH SEE NOTE 1 | QA APPD | | SIZE | DWG. NO |
| REF. | IE APPD | | A3 | P-U77-CX41M-X081 |
| CODE IDENT. NO. 03554 | DWG APPD | | SCALE | PROJECT |
| | | | 1:1 | 10 OF 11 |

- NOTES:
 1. DATUM AND BASIC DIMENSIONS ESTABLISHED BY CUSTOMER.
 2. PADS AND VIAS ARE CHASSIS GROUND.
 3. THRU-HOLES, PLATING OPTIONAL.
 4. SEE DRAWINGS P-UX76-A20-X00XX FOR CONNECTOR LAYOUT.

| REVISIONS | | | | |
|-----------|---------|-------------|----------|----------|
| REV. | ECN/E-R | DESCRIPTION | DATE | APPROVED |
| A | | PROPOSAL | JUL22/09 | |
| | | | | |
| | | | | |



RECOMMENDED PCB DESIGN FOR BELLY TO BELLY MOUNTING

DO NOT SCALE DRAWING

THIS DOCUMENT CONTAINS PROPRIETARY INFORMATION AND SUCH INFORMATION MAY NOT BE DISCLOSED TO OTHERS FOR ANY PURPOSE OR USED FOR MANUFACTURING PURPOSES WITHOUT PERMISSION FROM AMPHENOL CANADA CORP.

| | | | | |
|---|-----------|------|----------|--|
| UNLESS OTHERWISE SPECIFIED DIMENSIONS ARE IN MILLIMETERS TOLERANCES ARE: DECIMALS ANGLES X.X ± 0.38 ± 1° X.XX ± 0.25 | APPROVALS | | DATE | Amphenol Canada Corp. TITLE 1XN SFP+ CAGE ELASTOMER EMI GASKET, WITH LIGHT PIPE |
| | DRAWN | J.SI | JUL21/09 | |
| | DESIGNED | | | |
| | CHECKED | | | |
| MATERIAL AND FINISH SEE NOTE 1 | QA APPD | | | |
| REF. | IE APPD | | | SIZE A3 DWG. NO P-U77-CX41M-X081 REV. A |
| CODE IDENT. NO. 03554 | DWG APPD | | | SCALE 3:2 PROJECT SHEET 11 OF 11 |



Компания «ЭлектроПласт» предлагает заключение долгосрочных отношений при поставках импортных электронных компонентов на взаимовыгодных условиях!

Наши преимущества:

- Оперативные поставки широкого спектра электронных компонентов отечественного и импортного производства напрямую от производителей и с крупнейших мировых складов;
- Поставка более 17-ти миллионов наименований электронных компонентов;
- Поставка сложных, дефицитных, либо снятых с производства позиций;
- Оперативные сроки поставки под заказ (от 5 рабочих дней);
- Экспресс доставка в любую точку России;
- Техническая поддержка проекта, помощь в подборе аналогов, поставка прототипов;
- Система менеджмента качества сертифицирована по Международному стандарту ISO 9001;
- Лицензия ФСБ на осуществление работ с использованием сведений, составляющих государственную тайну;
- Поставка специализированных компонентов (Xilinx, Altera, Analog Devices, Intersil, Interpoint, Microsemi, Aeroflex, Peregrine, Syfer, Eurofarad, Texas Instrument, Miteq, Cobham, E2V, MA-COM, Hittite, Mini-Circuits, General Dynamics и др.);

Помимо этого, одним из направлений компании «ЭлектроПласт» является направление «Источники питания». Мы предлагаем Вам помощь Конструкторского отдела:

- Подбор оптимального решения, техническое обоснование при выборе компонента;
- Подбор аналогов;
- Консультации по применению компонента;
- Поставка образцов и прототипов;
- Техническая поддержка проекта;
- Защита от снятия компонента с производства.



Как с нами связаться

Телефон: 8 (812) 309 58 32 (многоканальный)

Факс: 8 (812) 320-02-42

Электронная почта: org@eplast1.ru

Адрес: 198099, г. Санкт-Петербург, ул. Калинина, дом 2, корпус 4, литера А.