

12000 series

Professional toggle switches •
threaded bushing Ø 11.9 mm



DISTINCTIVE FEATURES

- CECC approved - conforms to MIL specifications
- Robust switches for high specification environments
- Toggle action on 2-position models for a smooth mechanical operation
- Several front panel sealing options
- Several locking lever options



ELECTRICAL SPECIFICATIONS

- Max. current/voltage rating with resistive load:
 - silver contacts (A-AD2-X780): 4 A 30 VDC
 - gold contacts (D): 100 mA 30 VDC
- Minimum load: AD2-X780-D contacts: 10 mA 50 mV, 10 µA 5 V min.
- Peak currents: refer to "Special options".
- Initial contact resistance: 10 mΩ max.
- Insulation resistance: 1,000 MΩ min. at 500 VDC
- Dielectric strength:
 - 1,000 Vrms 50 Hz min. between terminals
 - 2,000 Vrms 50 Hz min. between poles and between terminals and frame
- Contact bounce: 2 ms max.
- Electrical life at full load:

Contacts	Max. current/voltage rating	Number of cycles	
		2 positions	3 positions
A	4 A 30 VDC	50,000	50,000
AD2 X780	4 A 30 VDC (Gold plating: 100 mA 30 VDC max.)	20,000	20,000
D	100 mA 30 VDC	80,000	50,000
	Low level or mechanical life	150,000	100,000



GENERAL SPECIFICATIONS

- Torque: 1.50 Nm (1.10 Ft.lb) max. applied between the 2 nuts
- Standard panel thickness: 4.5 mm (.177) max.
- Operating temperature: -40 °C to +85 °C (-40 °F to +185 °F)

The company reserves the right to change specifications without notice.



12000 series

Professional toggle switches • threaded bushing Ø 11.9 mm

MATERIALS

- Case: diallyphthalate (DAP)
- Actuator: brass, chrome plated
- Bushing: brass, nickel plated
- Housing: brass, nickel plated
- Contacts
 - A: silver
 - AD2: gold plated silver (2 microns gold)
 - X780: solid rivet - gold plated - silver/nickel alloy
 - D: solid gold rivet
 - X910: silver/nickel alloy (for peak currents, see "Special options")
- Terminal seal: epoxy

APEM products may be recycled at end-of-life for the re-claiming of valuable metal components.

Note: AD2 and X780 contacts can be used for high level applications. In this case, the gold layer is considered only as a protection against oxidation during storage.

AGENCY APPROVALS



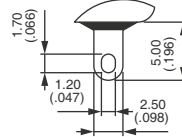
CECC 96201-005
CECC 96201-008

Designed to MIL specifications

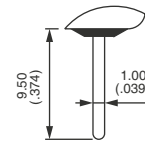
Availability: consult factory for details of approved models.

Marking: to order switches marked CECC, complete appropriate box of ordering format.

TERMINALS



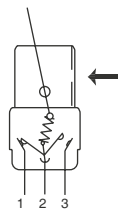
Solder lugs



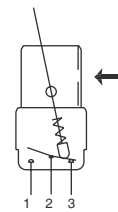
Straight PC

ELECTRICAL FUNCTIONS

→ KEYWAY

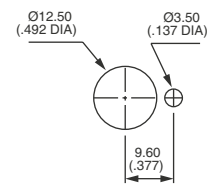


Function 6

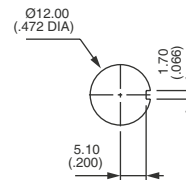


Other functions

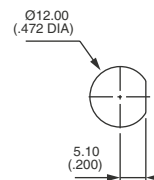
PANEL CUT-OUT



Standard



With K sealing option



With X408 sealing option

12000 series

Professional toggle switches • threaded bushing Ø 11.9 mm



BUILD YOUR PART NUMBER

BASIC PART NUMBER

12																																																						
SERIES	TERMINALS AND BUSHINGS	NUMBER OF POLES	ELECTRICAL FUNCTIONS	MOMENTARY FOR FUNCTION 4																																																		
	<table style="width: 100%; border-collapse: collapse;"> <tr> <td style="width: 20px; text-align: center;">1</td> <td>Solder lug terminals</td> </tr> <tr> <td style="text-align: center;">2</td> <td>Straight PC terminals</td> </tr> </table> <p>All models with threaded bushing Ø 11.9 (15/32). Bushing Ø 15 (.590), see X822 under "Special options".</p>	1	Solder lug terminals	2	Straight PC terminals	<table style="width: 100%; border-collapse: collapse;"> <tr> <td style="width: 20px; text-align: center;">4</td> <td>Double pole</td> </tr> <tr> <td style="text-align: center;">5</td> <td>Three pole</td> </tr> <tr> <td style="text-align: center;">6</td> <td>Four pole</td> </tr> </table>	4	Double pole	5	Three pole	6	Four pole	<table style="width: 100%; border-collapse: collapse;"> <tr> <td style="width: 20px; text-align: center;">6</td> <td>ON</td> <td>-</td> <td>ON</td> </tr> <tr> <td style="text-align: center;">9</td> <td>ON</td> <td>OFF</td> <td>ON</td> </tr> <tr> <td style="text-align: center;">7</td> <td>MOM</td> <td>OFF</td> <td>MOM</td> </tr> <tr> <td style="text-align: center;">8</td> <td>ON</td> <td>OFF</td> <td>MOM</td> </tr> <tr> <td style="text-align: center;">5</td> <td>-</td> <td>ON</td> <td>MOM</td> </tr> <tr> <td style="text-align: center;">4</td> <td>ON</td> <td>ON</td> <td>ON</td> </tr> <tr> <td></td> <td>ON</td> <td>ON</td> <td>MOM ▲</td> </tr> <tr> <td></td> <td>MOM</td> <td>ON</td> <td>MOM ▲</td> </tr> </table> <p>Function 4 ▲ Must not have blank in "momentary" box.</p>	6	ON	-	ON	9	ON	OFF	ON	7	MOM	OFF	MOM	8	ON	OFF	MOM	5	-	ON	MOM	4	ON	ON	ON		ON	ON	MOM ▲		MOM	ON	MOM ▲	<table style="width: 100%; border-collapse: collapse;"> <tr> <td style="width: 20px; text-align: center;">1R</td> <td>ON</td> <td>ON</td> <td>MOM</td> </tr> <tr> <td style="text-align: center;">2R</td> <td>MOM</td> <td>ON</td> <td>MOM</td> </tr> </table> <p>Leave blank for other functions.</p>	1R	ON	ON	MOM	2R	MOM	ON	MOM
1	Solder lug terminals																																																					
2	Straight PC terminals																																																					
4	Double pole																																																					
5	Three pole																																																					
6	Four pole																																																					
6	ON	-	ON																																																			
9	ON	OFF	ON																																																			
7	MOM	OFF	MOM																																																			
8	ON	OFF	MOM																																																			
5	-	ON	MOM																																																			
4	ON	ON	ON																																																			
	ON	ON	MOM ▲																																																			
	MOM	ON	MOM ▲																																																			
1R	ON	ON	MOM																																																			
2R	MOM	ON	MOM																																																			

OPTIONS

FINISH	FLUORESCENT TIP	SPECIAL OPTIONS																											
<table style="width: 100%; border-collapse: collapse;"> <tr> <td style="width: 20px; text-align: center;">Blank</td> <td>Bright chrome finish on actuator</td> </tr> <tr> <td style="text-align: center;">G</td> <td>Black finish on bushing, actuator and hardware.</td> </tr> </table> <p>Satin chrome finish, see "Special options".</p>	Blank	Bright chrome finish on actuator	G	Black finish on bushing, actuator and hardware.	<table style="width: 100%; border-collapse: collapse;"> <tr> <td style="width: 20px; text-align: center;">Blank</td> <td>None</td> </tr> <tr> <td style="text-align: center;">-038</td> <td>White fluorescent tip to lever</td> </tr> </table> <p>Available with black finish (G) only.</p>	Blank	None	-038	White fluorescent tip to lever	<table style="width: 100%; border-collapse: collapse;"> <tr> <td style="width: 20px; text-align: center;">Blank</td> <td>No special requirement</td> </tr> <tr> <td style="text-align: center;">X408</td> <td>Front panel sealing by two O-rings</td> </tr> <tr> <td style="text-align: center;">X822</td> <td>Bushing Ø 15 (.590)</td> </tr> </table> <p>Other: see following pages..</p>		Blank	No special requirement	X408	Front panel sealing by two O-rings	X822	Bushing Ø 15 (.590)												
Blank	Bright chrome finish on actuator																												
G	Black finish on bushing, actuator and hardware.																												
Blank	None																												
-038	White fluorescent tip to lever																												
Blank	No special requirement																												
X408	Front panel sealing by two O-rings																												
X822	Bushing Ø 15 (.590)																												
CONTACT MATERIALS	SEALING	LEVERS	APPROVALS																										
<table style="width: 100%; border-collapse: collapse;"> <tr> <td style="width: 20px; text-align: center;">A</td> <td>Silver</td> </tr> <tr> <td style="text-align: center;">AD2</td> <td>Silver, gold plated (2 micron gold)</td> </tr> <tr> <td style="text-align: center;">D</td> <td>Solid gold rivet</td> </tr> </table> <p>See "Special options" for X780 (solid silver/nickel rivet) and X910 (for peak currents).</p>	A	Silver	AD2	Silver, gold plated (2 micron gold)	D	Solid gold rivet	<table style="width: 100%; border-collapse: collapse;"> <tr> <td style="width: 20px; text-align: center;">Blank</td> <td>Epoxy sealed terminals standard</td> </tr> <tr> <td style="text-align: center;">K</td> <td>Front panel sealing by one O-ring and sealing washer</td> </tr> </table> <p>Sealing by two O-rings, see X408, "Special options" box.</p>	Blank	Epoxy sealed terminals standard	K	Front panel sealing by one O-ring and sealing washer	<table style="width: 100%; border-collapse: collapse;"> <tr> <td style="width: 20px; text-align: center;">Blank</td> <td>Standard lever</td> </tr> <tr> <td style="text-align: center;">-12</td> <td>Short lever</td> </tr> <tr> <td style="text-align: center;">⋮</td> <td></td> </tr> <tr> <td colspan="2" style="text-align: center;">LOCKING LEVERS</td> </tr> <tr> <td style="text-align: center;">-1V</td> <td>1 locked position</td> </tr> <tr> <td style="text-align: center;">-2V</td> <td>2 locked positions</td> </tr> <tr> <td style="text-align: center;">-3V</td> <td>3 locked positions</td> </tr> </table> <p>Other: see following pages.</p>	Blank	Standard lever	-12	Short lever	⋮		LOCKING LEVERS		-1V	1 locked position	-2V	2 locked positions	-3V	3 locked positions	<table style="width: 100%; border-collapse: collapse;"> <tr> <td style="width: 20px; text-align: center;">CECC</td> <td>Availability: Consult factory for details of approved models.</td> </tr> </table>	CECC	Availability: Consult factory for details of approved models.
A	Silver																												
AD2	Silver, gold plated (2 micron gold)																												
D	Solid gold rivet																												
Blank	Epoxy sealed terminals standard																												
K	Front panel sealing by one O-ring and sealing washer																												
Blank	Standard lever																												
-12	Short lever																												
⋮																													
LOCKING LEVERS																													
-1V	1 locked position																												
-2V	2 locked positions																												
-3V	3 locked positions																												
CECC	Availability: Consult factory for details of approved models.																												



ABOUT THIS SERIES

On the following pages, you will find successively basic part numbers of switches and options in the same order as in above chart

- ⚠ **Notice:** please note that not all combinations of above numbers are available. Refer to the following pages for further information.
- 👉 **Sealing boots** are available to protect the switches against dust and water. See "Sealing Boots" section of website.
- 👉 **Switch guards** are available to prevent inadvertent lever operation. See "Switch Guards" section of website.
- 👉 **Mounting accessories:** standard hardware supplied with all models: 2 hex nuts 14 (.551) across flats and 1 locking ring. Standard and special hardware is presented in the "Hardware" section of website.

12000 series

Professional toggle switches • threaded bushing Ø 11.9 mm

SOLDER LUG TERMINALS - DOUBLE POLE



BASIC P/N	Angle of throw (A)	I	II	III
12146	26°	ON	-	ON
12149	20°	ON	OFF	ON
12147	20°	MOM	OFF	MOM
12148	20°	ON	OFF	MOM
12144*	20°	ON	ON	ON
12144 1R*	20°	ON	ON	MOM
12144 2R*	20°	MOM	ON	MOM
12145	12°	-	ON	MOM

*Function 4: SP in DP case - connections, see "Technical information" on website

TERMINALS - THREE POLE



BASIC P/N	Angle of throw (A)	I	II	III
12156	26°	ON	-	ON
12159	20°	ON	OFF	ON
12157	20°	MOM	OFF	MOM
12158	20°	ON	OFF	MOM

SOLDER LUG TERMINALS - FOUR POLE



BASIC P/N	Angle of throw (A)	I	II	III
12166	26°	ON	-	ON
12169	20°	ON	OFF	ON
12167	20°	MOM	OFF	MOM
12168	20°	ON	OFF	MOM
12164*	20°	ON	ON	ON
12164 1R*	20°	ON	ON	MOM
12164 2R*	20°	MOM	ON	MOM

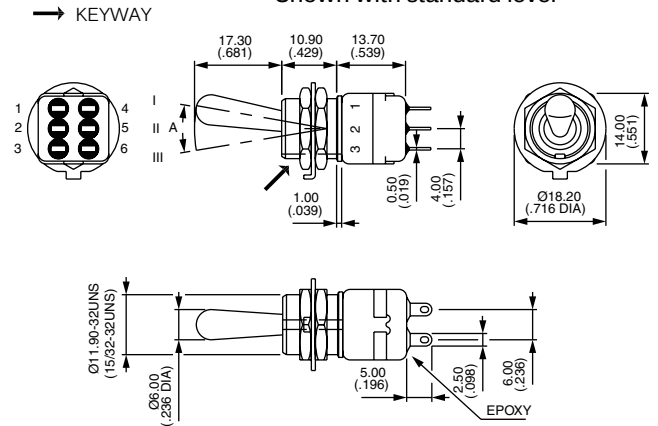
*Function 4: DP in 4P case - connections, see "Technical information" on website

STRAIGHT PC TERMINALS - DOUBLE POLE ▲

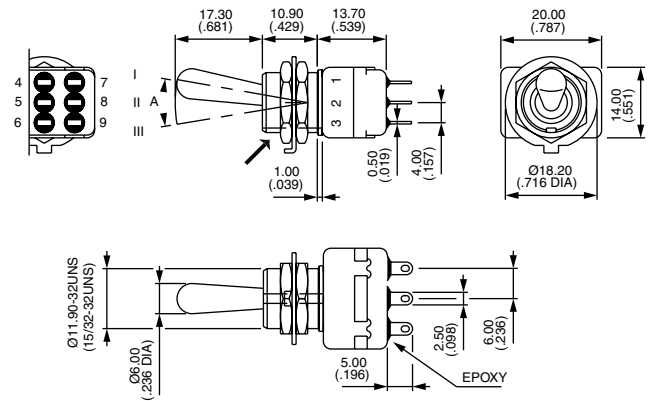


BASIC P/N	Angle of throw (A)	I	II	III
12246	26°	ON	-	ON

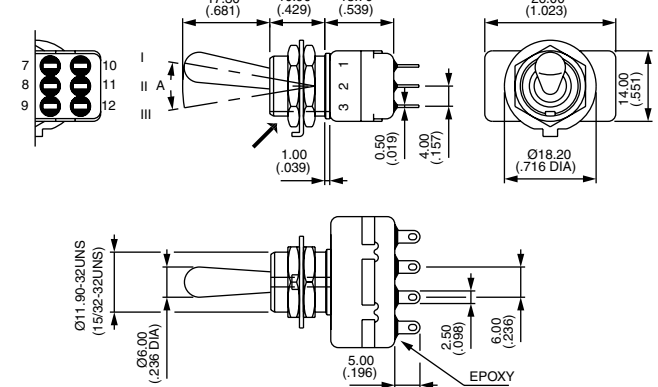
Shown with standard lever



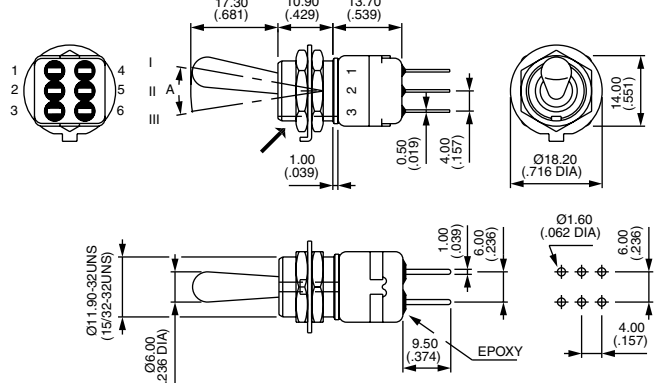
KEYWAY



KEYWAY



KEYWAY



12000 series

Professional toggle switches • threaded bushing Ø 11.9 mm

STRAIGHT PC TERMINALS - THREE POLE ▲



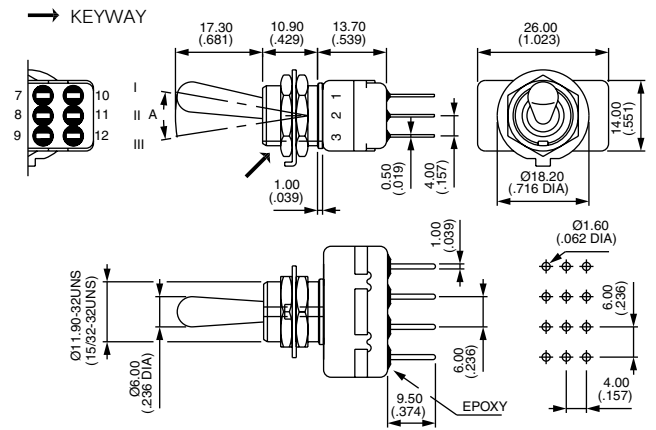
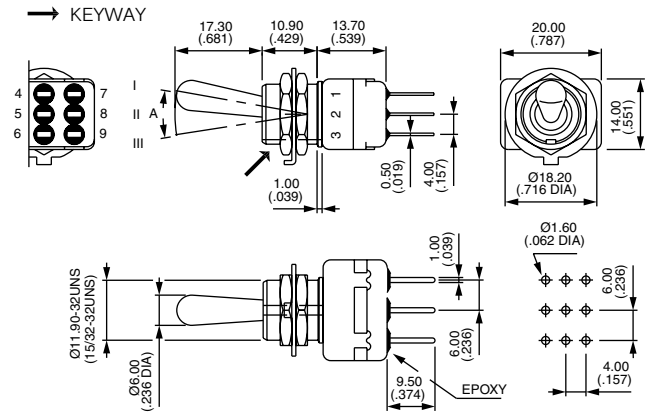
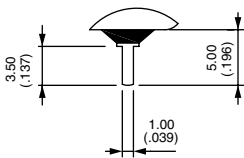
BASIC P/N	Angle of throw (A)	I	II	III
12256	26°	ON	-	ON

STRAIGHT PC TERMINALS - FOUR POLE ▲



BASIC P/N	Angle of throw (A)	I	II	III
12266	26°	ON	-	ON

▲ 3.5 mm (.138) short terminals available on request for function 6. Standard for functions 9, 7, 8, 4 and 5.



12000 series

Professional toggle switches • threaded bushing Ø 11.9 mm

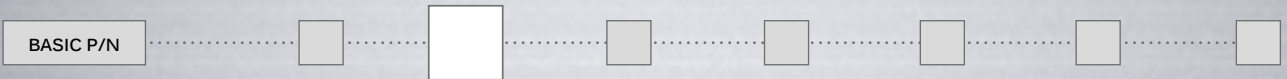
CONTACT MATERIALS



- A Silver
- AD2 Silver, gold plated (2 micron gold)
- D Solid gold rivet (except functions 4 and 5)

See "Special options" for contacts X780 (solid silver/nickel rivet) and contacts X910 (for peak currents).

FINISH



- Blank Bright chrome finish on actuator
 - G Black finish on bushing, lever and hardware
- For satin chrome finish, see "Special options".

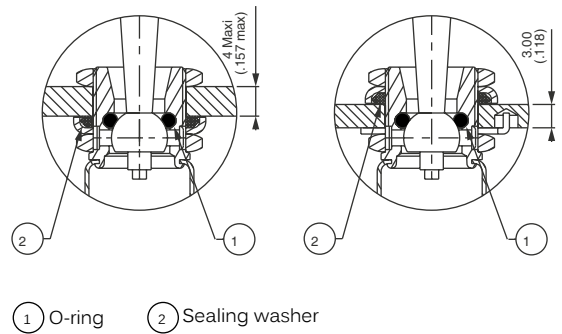
SEALING



Epoxy sealed terminals are standard.

- Blank No sealing except standard
- K Front panel sealing by one O-ring and sealing washer. Protects the switch against water and dust. Panel seal withstands 1 bar pressure and remains sealed even when switch is operated.

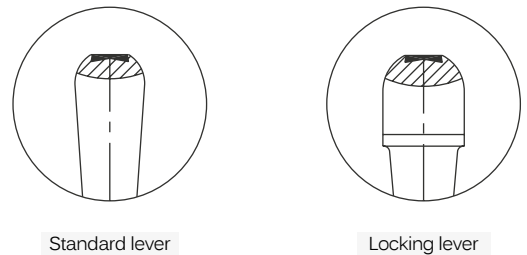
Sealing by two O-rings, see X408 under "Special options". See "Sealing Boots" section of website.



FLUORESCENT TIP



- Blank None
- 038 White fluorescent tip. Becomes luminous when submitted to ultra-violet rays.
- ⓘ Available with black finish (option G) only



12000 series

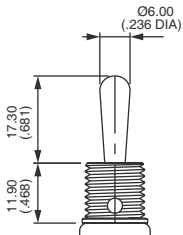
Professional toggle switches • threaded bushing Ø 11.9 mm

ACTUATORS

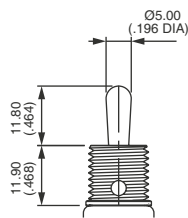
BASIC P/N

Dash compulsory before lever code.
Switch guards : see "Switch Guards" section of website.

LEVERS

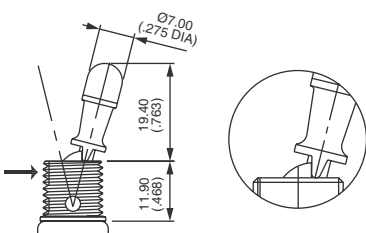


Blank Standard



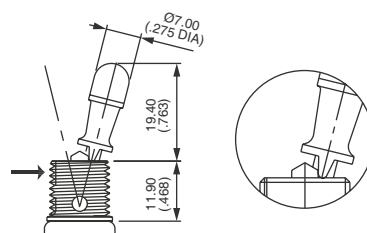
-12 Short lever

LOCKING LEVERS



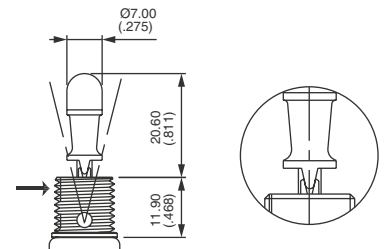
-1V

1 locked position (function 6)
Typical angle of throw : 26°



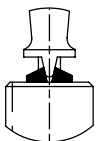
-2V

2 locked positions (function 6)
Typical angle of throw : 26°



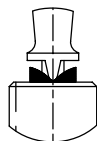
-3V

3 locked positions (functions 9 and 4)
Typical angle of throw : 20°



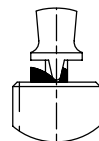
-4V

Functions 9 & 4



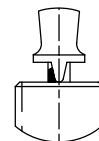
-5V

Functions 7 & 442R



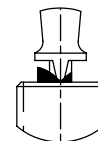
-7V

Functions 8 & 441R



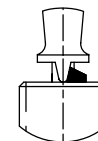
-8V

Functions 9 & 44



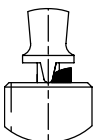
-9V

Functions 8 & 441R



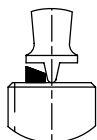
-11V

Functions 8, 9, 44 & 441R



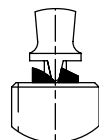
-12V

Functions 7 & 8



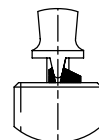
-13V

Funct. 5, 7 & 442R



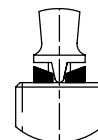
-15V

Functions 8 & 441R



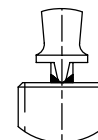
-16V

Functions 4 & 9



-17V

Functions 7 & 442R



-20V

Functions 9 & 44

Note: -5V and -12V are not true locking levers: no pulling is required before actuation.

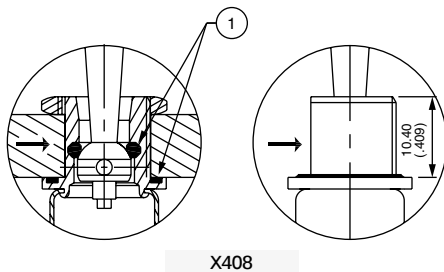
12000 series

Professional toggle switches • threaded bushing Ø 11.9 mm

SPECIAL OPTIONS

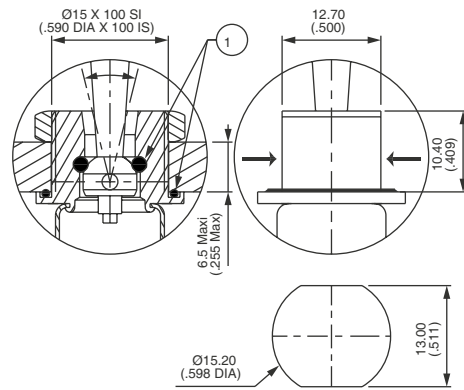


- Blank** No special requirement
- X408** Front panel sealing by two O-rings. Flatted bushing for precise orientation. Panel thickness: 8 mm (.314) max., 3 mm (.118) min. Protects the switch against water and dust. Panel seal withstands 1 bar pressure and remains sealed even when switch is operated.
- X545** Lever, bushing, housing, nuts and washers with **satín chrome finish**
- X822** Threaded bushing Ø 15 (.590), with double flat Not available with function 5 or locking levers. Includes front panel sealing and X780 contact material
- X780** Solid rivet - gold plated silver/nickel alloy contacts. Not available with function 5.
- X910** Switches for peak currents - double pole - on request.



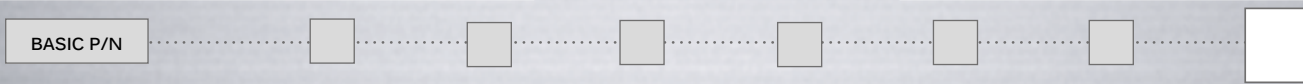
X408

1 O-ring
→ Flat



X822

AGENCY APPROVAL



- CECC** CECC 96201-005 (high level - contacts X780) - CECC 96201-008 (low level - contacts AD2 or D)
- Blank** No agency approval required.

Availability: consult factory for details of approved models.

Marking: to order switches marked CECC, complete above box with "CECC".



Компания «ЭлектроПласт» предлагает заключение долгосрочных отношений при поставках импортных электронных компонентов на взаимовыгодных условиях!

Наши преимущества:

- Оперативные поставки широкого спектра электронных компонентов отечественного и импортного производства напрямую от производителей и с крупнейших мировых складов;
- Поставка более 17-ти миллионов наименований электронных компонентов;
- Поставка сложных, дефицитных, либо снятых с производства позиций;
- Оперативные сроки поставки под заказ (от 5 рабочих дней);
- Экспресс доставка в любую точку России;
- Техническая поддержка проекта, помощь в подборе аналогов, поставка прототипов;
- Система менеджмента качества сертифицирована по Международному стандарту ISO 9001;
- Лицензия ФСБ на осуществление работ с использованием сведений, составляющих государственную тайну;
- Поставка специализированных компонентов (Xilinx, Altera, Analog Devices, Intersil, Interpoint, Microsemi, Aeroflex, Peregrine, Syfer, Eurofarad, Texas Instrument, Miteq, Cobham, E2V, MA-COM, Hittite, Mini-Circuits, General Dynamics и др.);

Помимо этого, одним из направлений компании «ЭлектроПласт» является направление «Источники питания». Мы предлагаем Вам помощь Конструкторского отдела:

- Подбор оптимального решения, техническое обоснование при выборе компонента;
- Подбор аналогов;
- Консультации по применению компонента;
- Поставка образцов и прототипов;
- Техническая поддержка проекта;
- Защита от снятия компонента с производства.



Как с нами связаться

Телефон: 8 (812) 309 58 32 (многоканальный)

Факс: 8 (812) 320-02-42

Электронная почта: org@eplast1.ru

Адрес: 198099, г. Санкт-Петербург, ул. Калинина, дом 2, корпус 4, литера А.