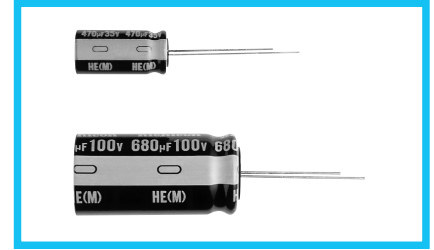


ALUMINUM ELECTROLYTIC CAPACITORS

HE series Miniature Sized, Low Impedance, High Reliability



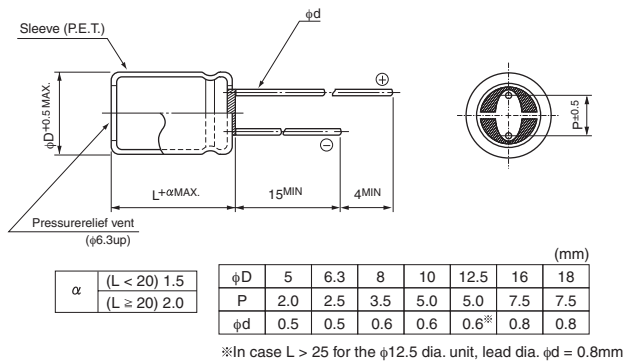
- Low impedance and high reliability withstanding 4000 hours to 10000 hours.
- Compliant to the RoHS directive (2011/65/EU).



Specifications

| Item | Performance Characteristics | | | | | | | | | | |
|---|--|---|------------|------------|-------------|------|------|------|------|---------------|---|
| Category Temperature Range | -40 to +105°C | | | | | | | | | | |
| Rated Voltage Range | 6.3 to 100V | | | | | | | | | | |
| Rated Capacitance Range | 0.47 to 18000μF | | | | | | | | | | |
| Capacitance Tolerance | ±20% at 120Hz, 20°C | | | | | | | | | | |
| Leakage Current | After 2 minutes' application of rated voltage at 20°C, leakage current is not more than 0.01CV or 3 (μA), whichever is greater. | | | | | | | | | | |
| Tangent of loss angle (tan δ) | Rated voltage (V) | 6.3 | 10 | 16 | 25 | 35 | 50 | 63 | 100 | 120Hz 20°C | |
| | tan δ (MAX.) | 0.22 | 0.19 | 0.16 | 0.14 | 0.12 | 0.10 | 0.09 | 0.08 | | |
| For capacitance of more than 1000μF, add 0.02 for every increase of 1000μF. | | | | | | | | | | | |
| Stability at Low Temperature | Rated voltage (V) | 6.3 | 10 | 16 | 25 | 35 | 50 | 63 | 100 | 120Hz | |
| | Impedance ratio ZT / Z20 (MAX.) | Z-25°C / Z+20°C | 4 | 3 | 2 | 2 | 2 | 2 | 2 | | 2 |
| | | Z-40°C / Z+20°C | 8 | 6 | 4 | 3 | 3 | 3 | 3 | 3 | |
| Endurance | The following specifications shall be met when the capacitors are restored to 20°C after D.C. bias plus rated ripple current is applied at 105°C, the peak voltage shall not exceed the rated voltage. | | | | | | | | | | |
| | Case size | | φD ≤ 6.3 | φD = 8, 10 | φD ≥ 12.5 | | | | | | |
| | Rated voltage (V) | 6.3 to 10WV | 4000 hours | 6000 hours | 8000 hours | | | | | | |
| | | 16 to 100WV | 5000 hours | 7000 hours | 10000 hours | | | | | | |
| | Capacitance change | Within ±25% of the initial capacitance value | | | | | | | | | |
| | tan δ | 200% or less than the initial specified value | | | | | | | | | |
| Leakage current | Less than or equal to the initial specified value | | | | | | | | | | |
| Marking | Printed with white color letter on black sleeve. | | | | | | | | | | |

Radial Lead Type

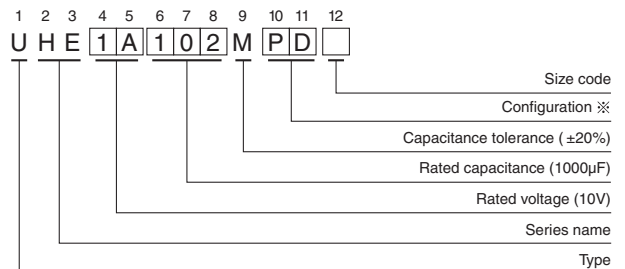


• Please refer to page 20 about the end seal configuration.

Frequency coefficient of rated ripple current

| Cap. (μF) | 50Hz | 120Hz | 300Hz | 1kHz | 10kHz or more |
|---------------|------|-------|-------|------|---------------|
| 0.47 to 33 | 0.45 | 0.55 | 0.70 | 0.90 | 1.00 |
| 39 to 330 | 0.60 | 0.70 | 0.85 | 0.95 | 1.00 |
| 390 to 1000 | 0.65 | 0.75 | 0.90 | 0.98 | 1.00 |
| 1200 to 18000 | 0.75 | 0.80 | 0.95 | 1.00 | 1.00 |

Type numbering system (Example : 10V 1000μF)



※ Configuration

| φ D | Pb-free leadwire Pb-free PET sleeve |
|------------|--|
| 5 | DD |
| 6.3 | ED |
| 8 - 10 | PD |
| 12.5 to 18 | HD |

Please refer to page 20, 21, 22 about the formed or taped product spec.
Please refer to page 4 for the minimum order quantity.

● Dimension table in next page.



Standard Ratings

| V (Code) Item Cap.(μF) Code | | 6.3 (0J) | | | | 10 (1A) | | | |
|-----------------------------------|-----|-----------------------------|--------------------|----------------|---|-----------------------------|--------------------|----------------|---|
| | | Case size φD × L (mm) | Impedance (Ω) MAX. | | Rated ripple (mArms) 105°C / 100kHz | Case size φD × L (mm) | Impedance (Ω) MAX. | | Rated ripple (mArms) 105°C / 100kHz |
| | | | 20°C / 100kHz | -10°C / 100kHz | | | 20°C / 100kHz | -10°C / 100kHz | |
| 100 | 101 | | | | | 5 × 11 | 0.58 | 2.3 | 210 |
| 150 | 151 | 5 × 11 | 0.58 | 2.3 | 210 | | | | |
| 220 | 221 | | | | | 6.3 × 11 | 0.22 | 0.87 | 340 |
| 330 | 331 | 6.3 × 11 | 0.22 | 0.87 | 340 | | | | |
| 470 | 471 | | | | | 8 × 11.5 | 0.13 | 0.52 | 640 |
| 680 | 681 | 8 × 11.5 | 0.13 | 0.52 | 640 | 8 × 15 | 0.087 | 0.35 | 840 |
| | | ▲ 10 × 12.5 | 0.080 | 0.32 | 865 | | 0.080 | 0.32 | 865 |
| 820 | 821 | 10 × 12.5 | 0.080 | 0.32 | 865 | | | | |
| 1000 | 102 | 8 × 15 | 0.087 | 0.35 | 840 | 8 × 20 | 0.069 | 0.27 | 1050 |
| | | ▲ 10 × 16 | 0.060 | 0.24 | 1210 | | 0.060 | 0.24 | 1210 |
| 1200 | 122 | 8 × 20 | 0.069 | 0.27 | 1050 | 10 × 20 | 0.046 | 0.18 | 1400 |
| | | ▲ 10 × 16 | 0.060 | 0.24 | 1210 | | | | |
| 1500 | 152 | 10 × 20 | 0.046 | 0.18 | 1400 | 10 × 25 | 0.042 | 0.17 | 1650 |
| 1800 | 182 | 12.5 × 15 | 0.049 | 0.16 | 1450 | ▲ 12.5 × 15 | 0.049 | 0.16 | 1450 |
| | | | | | | | | | |
| 2200 | 222 | 10 × 25 | 0.042 | 0.17 | 1650 | 10 × 31.5 | 0.031 | 0.12 | 1910 |
| | | | | | | ▲ 12.5 × 20 | 0.035 | 0.12 | 1900 |
| | | | | | | ● 16 × 15 | 0.042 | 0.12 | 1940 |
| 2700 | 272 | ▲ 10 × 31.5 | 0.031 | 0.12 | 1910 | 18 × 15 | 0.043 | 0.11 | 2210 |
| | | 16 × 15 | 0.042 | 0.12 | 1940 | | | | |
| 3300 | 332 | 12.5 × 20 | 0.035 | 0.12 | 1900 | 12.5 × 25 | 0.027 | 0.089 | 2230 |
| 3900 | 392 | 12.5 × 25 | 0.027 | 0.089 | 2230 | 12.5 × 31.5 | 0.024 | 0.078 | 2650 |
| | | ▲ 18 × 15 | 0.043 | 0.11 | 2210 | ▲ 16 × 20 | 0.027 | 0.078 | 2530 |
| 4700 | 472 | 12.5 × 31.5 | 0.024 | 0.078 | 2650 | 12.5 × 35.5 | 0.020 | 0.065 | 2880 |
| 5600 | 562 | 12.5 × 35.5 | 0.020 | 0.065 | 2880 | 12.5 × 40 | 0.017 | 0.056 | 3350 |
| | | ▲ 16 × 20 | 0.027 | 0.078 | 2530 | ▲ 16 × 25 | 0.021 | 0.060 | 2930 |
| | | | | | | ● 18 × 20 | 0.026 | 0.067 | 2860 |
| 6800 | 682 | 12.5 × 40 | 0.017 | 0.056 | 3350 | 16 × 31.5 | 0.017 | 0.050 | 3450 |
| | | ▲ 16 × 25 | 0.021 | 0.060 | 2930 | | | | |
| | | ● 18 × 20 | 0.026 | 0.067 | 2860 | | | | |
| 8200 | 822 | 16 × 31.5 | 0.017 | 0.050 | 3450 | 16 × 35.5 | 0.015 | 0.044 | 3610 |
| | | | | | | ▲ 18 × 31.5 | 0.015 | 0.040 | 4170 |
| 10000 | 103 | 16 × 35.5 | 0.015 | 0.044 | 3610 | 16 × 40 | 0.013 | 0.038 | 4080 |
| | | ▲ 18 × 25 | 0.019 | 0.049 | 3140 | ▲ 18 × 35.5 | 0.014 | 0.038 | 4220 |
| 12000 | 123 | 16 × 40 | 0.013 | 0.038 | 4080 | 18 × 40 | 0.012 | 0.032 | 4280 |
| | | ▲ 18 × 31.5 | 0.015 | 0.040 | 4170 | | | | |
| 15000 | 153 | 18 × 35.5 | 0.014 | 0.038 | 4220 | | | | |
| 18000 | 183 | 18 × 40 | 0.012 | 0.032 | 4280 | | | | |

▲ : In this case, [6] will be put at 12th digit of type numbering system.
● : In this case, [3] will be put at 12th digit of type numbering system.



Standard Ratings

| V (Code) Item Cap. (μF) Code | | 16 (1C) | | | | 25 (1E) | | | |
|------------------------------------|-----|-----------------------------|--------------------|----------------|---|-----------------------------|--------------------|----------------|---|
| | | Case size φD × L (mm) | Impedance (Ω) MAX. | | Rated ripple (mArms) 105°C / 100kHz | Case size φD × L (mm) | Impedance (Ω) MAX. | | Rated ripple (mArms) 105°C / 100kHz |
| | | | 20°C / 100kHz | -10°C / 100kHz | | | 20°C / 100kHz | -10°C / 100kHz | |
| 47 | 470 | | | | | 5 × 11 | 0.58 | 2.3 | 210 |
| 56 | 560 | 5 × 11 | 0.58 | 2.3 | 210 | | | | |
| 100 | 101 | | | | | 6.3 × 11 | 0.22 | 0.87 | 340 |
| 120 | 121 | 6.3 × 11 | 0.22 | 0.87 | 340 | | | | |
| 220 | 221 | | | | | 8 × 11.5 | 0.13 | 0.52 | 640 |
| 330 | 331 | 8 × 11.5 | 0.13 | 0.52 | 640 | 8 × 15 | 0.087 | 0.35 | 840 |
| | | ▲ 10 × 12.5 | 0.080 | 0.32 | 865 | ▲ 10 × 16 | 0.069 | 0.27 | 1050 |
| 470 | 471 | 8 × 15 | 0.087 | 0.35 | 840 | 8 × 20 | 0.069 | 0.27 | 1050 |
| | | ▲ 10 × 12.5 | 0.080 | 0.32 | 865 | ▲ 10 × 16 | 0.069 | 0.27 | 1050 |
| 680 | 681 | 8 × 20 | 0.069 | 0.27 | 1050 | 10 × 20 | 0.046 | 0.18 | 1400 |
| | | ▲ 10 × 16 | 0.060 | 0.24 | 1210 | ▲ 12.5 × 15 | 0.049 | 0.16 | 1450 |
| 820 | 821 | | | | | 10 × 25 | 0.042 | 0.17 | 1650 |
| 1000 | 102 | 10 × 20 | 0.046 | 0.18 | 1400 | 10 × 31.5 | 0.031 | 0.12 | 1910 |
| | | ▲ 12.5 × 15 | 0.049 | 0.16 | 1450 | ▲ 12.5 × 20 | 0.035 | 0.12 | 1900 |
| | | | | | | ● 16 × 15 | 0.042 | 0.12 | 1940 |
| 1200 | 122 | 10 × 25 | 0.042 | 0.17 | 1650 | 18 × 15 | 0.043 | 0.11 | 2210 |
| 1500 | 152 | 10 × 31.5 | 0.031 | 0.12 | 1910 | 12.5 × 25 | 0.027 | 0.089 | 2230 |
| | | ▲ 12.5 × 20 | 0.035 | 0.12 | 1900 | | | | |
| | | ● 16 × 15 | 0.042 | 0.12 | 1940 | | | | |
| 1800 | 182 | | | | | 12.5 × 31.5 | 0.024 | 0.078 | 2650 |
| | | | | | | ▲ 16 × 20 | 0.027 | 0.078 | 2530 |
| 2200 | 222 | 12.5 × 25 | 0.027 | 0.089 | 2230 | 12.5 × 35.5 | 0.020 | 0.065 | 2880 |
| | | ▲ 18 × 15 | 0.043 | 0.11 | 2210 | ▲ 18 × 20 | 0.026 | 0.067 | 2860 |
| 2700 | 272 | 12.5 × 31.5 | 0.024 | 0.078 | 2650 | 12.5 × 40 | 0.017 | 0.056 | 3350 |
| | | ▲ 16 × 20 | 0.027 | 0.078 | 2530 | ▲ 16 × 25 | 0.021 | 0.060 | 2930 |
| 3300 | 332 | 12.5 × 35.5 | 0.020 | 0.065 | 2880 | 16 × 31.5 | 0.017 | 0.050 | 3450 |
| | | | | | | ▲ 18 × 25 | 0.019 | 0.049 | 3140 |
| 3900 | 392 | 12.5 × 40 | 0.017 | 0.056 | 3350 | 16 × 35.5 | 0.015 | 0.044 | 3610 |
| | | ▲ 16 × 25 | 0.021 | 0.060 | 2930 | | | | |
| | | ● 16 × 20 | 0.026 | 0.067 | 2860 | | | | |
| 4700 | 472 | 16 × 31.5 | 0.017 | 0.050 | 3450 | 16 × 40 | 0.013 | 0.038 | 4080 |
| | | ▲ 18 × 25 | 0.019 | 0.049 | 3140 | ▲ 18 × 35.5 | 0.014 | 0.038 | 4220 |
| 5600 | 562 | 16 × 35.5 | 0.015 | 0.044 | 3610 | 18 × 40 | 0.012 | 0.032 | 4280 |
| | | ▲ 18 × 31.5 | 0.015 | 0.040 | 4170 | | | | |
| 6800 | 682 | 16 × 40 | 0.013 | 0.038 | 4080 | | | | |
| 8200 | 822 | 18 × 35.5 | 0.014 | 0.038 | 4220 | | | | |
| 10000 | 103 | 18 × 40 | 0.012 | 0.032 | 4280 | | | | |

▲ : In this case, [6] will be put at 12th digit of type numbering system.
 ● : In this case, [3] will be put at 12th digit of type numbering system.

Standard Ratings

| V (Code) Item Cap. (μF) Code | | 35 (1V) | | | | 50 (1H) | | | |
|------------------------------------|-----|-----------------------------|--------------------|----------------|---|-----------------------------|--------------------|----------------|---|
| | | Case size φD × L (mm) | Impedance (Ω) MAX. | | Rated ripple (mArms) 105°C / 100kHz | Case size φD × L (mm) | Impedance (Ω) MAX. | | Rated ripple (mArms) 105°C / 100kHz |
| | | | 20°C / 100kHz | -10°C / 100kHz | | | 20°C / 100kHz | -10°C / 100kHz | |
| 0.47 | R47 | | | | | 5 × 11 | 5.5 | 22 | 17 |
| 1 | 010 | | | | | 5 × 11 | 4 | 16 | 30 |
| 2.2 | 2R2 | | | | | 5 × 11 | 2.5 | 10 | 43 |
| 3.3 | 3R3 | | | | | 5 × 11 | 2.2 | 8.8 | 53 |
| 4.7 | 4R7 | | | | | 5 × 11 | 1.9 | 7.6 | 88 |
| 10 | 100 | | | | | 5 × 11 | 1.5 | 6 | 100 |
| 22 | 220 | | | | | 5 × 11 | 0.70 | 2.8 | 180 |
| 33 | 330 | 5 × 11 | 0.58 | 2.3 | 210 | 6.3 × 11 | 0.30 | 1.2 | 295 |
| 47 | 470 | 6.3 × 11 | 0.22 | 0.87 | 250 | 6.3 × 11 | 0.30 | 1.2 | 295 |
| 56 | 560 | 6.3 × 11 | 0.22 | 0.87 | 340 | 6.3 × 11 | 0.30 | 1.2 | 295 |
| 100 | 101 | 8 × 11.5 | 0.13 | 0.52 | 640 | 8 × 11.5 | 0.17 | 0.68 | 555 |
| 120 | 121 | | | | | 8 × 15 | 0.12 | 0.48 | 730 |
| 150 | 151 | 8 × 11.5 | 0.13 | 0.52 | 640 | 10 × 12.5 | 0.12 | 0.48 | 760 |
| 180 | 181 | | | | | 8 × 20 | 0.091 | 0.36 | 910 |
| 220 | 221 | 8 × 15 | 0.087 | 0.35 | 840 | 10 × 16 | 0.084 | 0.34 | 1050 |
| | | ▲ 10 × 12.5 | 0.080 | 0.32 | 865 | | | | |
| 270 | 271 | 8 × 20 | 0.069 | 0.27 | 1050 | 10 × 20 | 0.060 | 0.24 | 1220 |
| | | ▲ 12.5 × 15 | | | | ▲ 12.5 × 15 | 0.061 | 0.20 | 1260 |
| 330 | 331 | 10 × 16 | 0.060 | 0.24 | 1210 | 10 × 25 | 0.055 | 0.22 | 1440 |
| | | | | | | ▲ 10 × 20 | 0.060 | 0.24 | 1220 |
| 470 | 471 | 10 × 20 | 0.046 | 0.18 | 1400 | 10 × 31.5 | 0.043 | 0.17 | 1690 |
| | | ▲ 12.5 × 15 | 0.049 | 0.16 | 1450 | ▲ 12.5 × 20 | 0.045 | 0.15 | 1660 |
| | | | | | | ● 16 × 15 | 0.055 | 0.17 | 1690 |
| 560 | 561 | 10 × 25 | 0.042 | 0.17 | 1650 | 12.5 × 25 | 0.034 | 0.11 | 1950 |
| | | | | | | ▲ 18 × 15 | 0.054 | 0.15 | 1930 |
| 680 | 681 | 10 × 31.5 | 0.031 | 0.12 | 1910 | 12.5 × 31.5 | 0.030 | 0.10 | 2310 |
| | | ▲ 12.5 × 20 | 0.035 | 0.12 | 1900 | | | | |
| | | ● 16 × 15 | 0.042 | 0.12 | 1940 | | | | |
| 820 | 821 | | | | | 12.5 × 35.5 | 0.025 | 0.083 | 2510 |
| | | | | | | ▲ 16 × 20 | 0.034 | 0.10 | 2210 |
| 1000 | 102 | 12.5 × 25 | 0.027 | 0.089 | 2230 | 12.5 × 40 | 0.021 | 0.069 | 2920 |
| | | ▲ 18 × 15 | 0.043 | 0.11 | 2210 | ▲ 16 × 25 | 0.025 | 0.075 | 2555 |
| | | | | | | ● 18 × 20 | 0.036 | 0.097 | 2490 |
| 1200 | 122 | 12.5 × 31.5 | 0.024 | 0.078 | 2650 | 16 × 31.5 | 0.022 | 0.066 | 3010 |
| | | ▲ 16 × 20 | 0.027 | 0.078 | 2530 | ▲ 18 × 25 | 0.026 | 0.070 | 2740 |
| 1500 | 152 | 12.5 × 35.5 | 0.020 | 0.065 | 2880 | 16 × 35.5 | 0.019 | 0.057 | 3150 |
| 1800 | 182 | 12.5 × 40 | 0.017 | 0.056 | 3350 | 16 × 40 | 0.016 | 0.048 | 3710 |
| | | ▲ 16 × 25 | 0.021 | 0.060 | 2930 | | | | |
| | | ● 18 × 20 | 0.026 | 0.067 | 2860 | | | | |
| 2200 | 222 | 16 × 31.5 | 0.017 | 0.050 | 3450 | ▲ 18 × 35.5 | 0.017 | 0.046 | 3680 |
| | | ▲ 18 × 25 | 0.019 | 0.049 | 3140 | | | | |
| 2700 | 272 | 16 × 35.5 | 0.015 | 0.044 | 3610 | 18 × 40 | 0.014 | 0.038 | 3800 |
| | | ▲ 18 × 31.5 | 0.015 | 0.040 | 4170 | | | | |
| 3300 | 332 | 16 × 40 | 0.013 | 0.038 | 4080 | | | | |
| | | ▲ 18 × 35.5 | 0.014 | 0.038 | 4220 | | | | |
| 3900 | 392 | 18 × 40 | 0.012 | 0.032 | 4280 | | | | |

▲ : In this case, [6] will be put at 12th digit of type numbering system.

● : In this case, [3] will be put at 12th digit of type numbering system.

Standard Ratings

| V (Code) Item Cap. (μF) Code | | 63 (1J) | | | | 100 (2A) | | | |
|------------------------------------|-----|-----------------------------|--------------------|----------------|---|-----------------------------|--------------------|----------------|---|
| | | Case size φD × L (mm) | Impedance (Ω) MAX. | | Rated ripple (mArms) 105°C / 100kHz | Case size φD × L (mm) | Impedance (Ω) MAX. | | Rated ripple (mArms) 105°C / 100kHz |
| | | | 20°C / 100kHz | -10°C / 100kHz | | | 20°C / 100kHz | -10°C / 100kHz | |
| 6.8 | 6R8 | | | | | 5 × 11 | 2.3 | 9.3 | 62 |
| 15 | 150 | 5 × 11 | 2.3 | 9.3 | 62 | 6.3 × 11 | 1.2 | 5.0 | 126 |
| 27 | 270 | | | | | 8 × 11.5 | 0.63 | 2.8 | 260 |
| 33 | 330 | 6.3 × 11 | 1.2 | 5.0 | 126 | | | | |
| 39 | 390 | | | | | 8 × 15 | 0.45 | 2.1 | 335 |
| 47 | 470 | 8 × 11.5 | 0.63 | 2.8 | 260 | 10 × 12.5 | 0.43 | 1.8 | 325 |
| 56 | 560 | 8 × 11.5 | 0.63 | 2.8 | 260 | 8 × 20 | 0.33 | 1.6 | 408 |
| 68 | 680 | | | | | 10 × 16 | 0.31 | 1.5 | 400 |
| 82 | 820 | 8 × 15 | 0.45 | 2.1 | 335 | 10 × 20 | 0.21 | 0.94 | 518 |
| | | ▲ 10 × 12.5 | 0.43 | 1.8 | 325 | ▲ 12.5 × 15 | 0.23 | 1.1 | 527 |
| 100 | 101 | | | | | 10 × 25 | 0.20 | 0.84 | 595 |
| | | | | | | ▲ 12.5 × 20 | 0.20 | 0.84 | 740 |
| 120 | 121 | 8 × 20 | 0.33 | 1.6 | 408 | 10 × 31.5 | 0.15 | 0.71 | 740 |
| | | ▲ 10 × 16 | 0.31 | 1.5 | 400 | ▲ 12.5 × 20 | 0.16 | 0.64 | 765 |
| 150 | 151 | | | | | 16 × 15 | 0.14 | 0.66 | 895 |
| 180 | 181 | 10 × 20 | 0.21 | 0.94 | 518 | 12.5 × 25 | 0.12 | 0.45 | 875 |
| | | ▲ 12.5 × 15 | 0.23 | 1.1 | 527 | ▲ 18 × 15 | 0.12 | 0.50 | 1030 |
| 220 | 221 | 10 × 25 | 0.20 | 0.84 | 595 | 12.5 × 31.5 | 0.10 | 0.42 | 1010 |
| | | | | | | ▲ 16 × 20 | 0.091 | 0.38 | 1130 |
| 270 | 271 | 10 × 31.5 | 0.15 | 0.71 | 740 | 12.5 × 35.5 | 0.083 | 0.35 | 1140 |
| | | ▲ 12.5 × 20 | 0.16 | 0.64 | 765 | | | | |
| | | ● 16 × 15 | 0.14 | 0.66 | 895 | ▲ 16 × 25 | 0.073 | 0.27 | 1350 |
| 330 | 331 | 12.5 × 25 | 0.12 | 0.45 | 875 | 12.5 × 40 | 0.071 | 0.30 | 1280 |
| | | | | | | ▲ 18 × 20 | 0.080 | 0.30 | 1300 |
| 390 | 391 | 18 × 15 | 0.12 | 0.50 | 1030 | 16 × 31.5 | 0.054 | 0.20 | 1650 |
| | | | | | | ▲ 18 × 25 | 0.057 | 0.21 | 1560 |
| 470 | 471 | 12.5 × 31.5 | 0.10 | 0.42 | 1010 | 16 × 35.5 | 0.045 | 0.17 | 1900 |
| | | ▲ 16 × 20 | 0.091 | 0.38 | 1130 | ▲ 18 × 31.5 | 0.047 | 0.17 | 1720 |
| 560 | 561 | 12.5 × 35.5 | 0.083 | 0.35 | 1140 | 16 × 40 | 0.040 | 0.15 | 2130 |
| | | ▲ 16 × 25 | 0.073 | 0.27 | 1350 | | | | |
| 680 | 681 | 12.5 × 40 | 0.071 | 0.30 | 1280 | 18 × 35.5 | 0.040 | 0.15 | 1890 |
| | | ▲ 18 × 20 | 0.080 | 0.30 | 1300 | | | | |
| 820 | 821 | 16 × 31.5 | 0.054 | 0.20 | 1650 | 18 × 40 | 0.036 | 0.13 | 2470 |
| | | ▲ 18 × 25 | 0.057 | 0.21 | 1560 | | | | |
| 1000 | 102 | 16 × 35.5 | 0.045 | 0.17 | 1900 | | | | |
| | | ▲ 18 × 31.5 | 0.047 | 0.17 | 1720 | | | | |
| 1200 | 122 | 16 × 40 | 0.040 | 0.15 | 2130 | | | | |
| | | ▲ 18 × 35.5 | 0.040 | 0.15 | 1890 | | | | |
| 1500 | 152 | 18 × 40 | 0.036 | 0.13 | 2470 | | | | |

▲ : In this case, 6 will be put at 12th digit of type numbering system.

● : In this case, 3 will be put at 12th digit of type numbering system.



Компания «ЭлектроПласт» предлагает заключение долгосрочных отношений при поставках импортных электронных компонентов на взаимовыгодных условиях!

Наши преимущества:

- Оперативные поставки широкого спектра электронных компонентов отечественного и импортного производства напрямую от производителей и с крупнейших мировых складов;
- Поставка более 17-ти миллионов наименований электронных компонентов;
- Поставка сложных, дефицитных, либо снятых с производства позиций;
- Оперативные сроки поставки под заказ (от 5 рабочих дней);
- Экспресс доставка в любую точку России;
- Техническая поддержка проекта, помощь в подборе аналогов, поставка прототипов;
- Система менеджмента качества сертифицирована по Международному стандарту ISO 9001;
- Лицензия ФСБ на осуществление работ с использованием сведений, составляющих государственную тайну;
- Поставка специализированных компонентов (Xilinx, Altera, Analog Devices, Intersil, Interpoint, Microsemi, Aeroflex, Peregrine, Syfer, Eurofarad, Texas Instrument, Miteq, Cobham, E2V, MA-COM, Hittite, Mini-Circuits, General Dynamics и др.);

Помимо этого, одним из направлений компании «ЭлектроПласт» является направление «Источники питания». Мы предлагаем Вам помощь Конструкторского отдела:

- Подбор оптимального решения, техническое обоснование при выборе компонента;
- Подбор аналогов;
- Консультации по применению компонента;
- Поставка образцов и прототипов;
- Техническая поддержка проекта;
- Защита от снятия компонента с производства.



Как с нами связаться

Телефон: 8 (812) 309 58 32 (многоканальный)

Факс: 8 (812) 320-02-42

Электронная почта: org@eplast1.ru

Адрес: 198099, г. Санкт-Петербург, ул. Калинина, дом 2, корпус 4, литера А.